

Data Sheet

Thermot

Thermal Actuator

Application

The thermal actuator is a small actuator for electrical on/off controls and PWM to activate several types of valves and floor heating manifolds.

The actuator is equipped with a visual position indicator to show the open or closed position of the valve.

The product range covers actuators for 24 V (SELV) or 230 V supply in both normally closed (NC) or normally open (NO) versions (valve positions with no supply voltage to the actuator).

The actuator can be connected to valves with Heimeier/MNG/Oventrop M30×1,5 connection. Other valves must be verified individually to ensure correct valve closing measurement and valve top geometry.



Ordering

| Actuator | Connection type | Supply voltage | Function | Code no. |
|----------|-----------------|----------------|----------|-----------------|
| Thermot | M30 × 1,5* | 24 V AC/DC | NC | 088H3216 |
| Thermot | M30 × 1,5* | 24 V AC/DC | NO | 088H3218 |
| Thermot | M30 × 1,5* | 230 V AC | NC | 088H3220 |
| Thermot | M30 × 1,5* | 230 V AC | NO | 088H3222 |

* Connection to Heimeier, MNG and Oventrop valves with M30×1,5 connection. Other valves must be verified individually to ensure correct valve closing measurement and valve top geometry (see "Dimensions" on page 2).

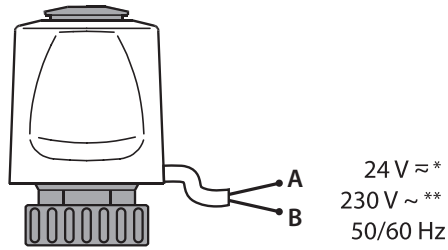
Technical Specifications

| | |
|---------------------------|---|
| Supply voltage | 24 V (Class II (SELV**)) and 230 V (3 A pre-fuse) |
| Max. inrush current | 24 V: 350 mA; 230 V: 250 mA |
| Frequency | 50-60 Hz |
| Running power consumption | 2 W |
| Spindle travel time | ~3 min. |
| Ambient temperature | 0 °C to 60 °C |
| Stroke | 2,4 mm (minimum after 5 years) |
| Actuating force | NC: 100 N, NO: 140 N |
| Closing measurement | 11,8 ± 0,3 mm |
| Approval | CE |
| Enclosure | IP 41 |
| Cable length | 950 mm |

** SELV: Safety Extra Low Voltage

If the actuator should be a 24 V or 230 V and normally open (NO) or normally closed (NC) depends mainly on the application, control strategy and the controller connected to the actuator.

Electrical Connection

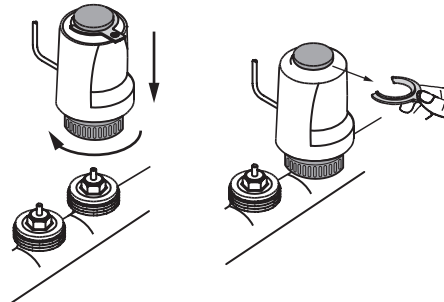


A: Blue
B: Brown

* 24 V Class III transformer (SELV)
** 230 V max. 3 A pre-fuse

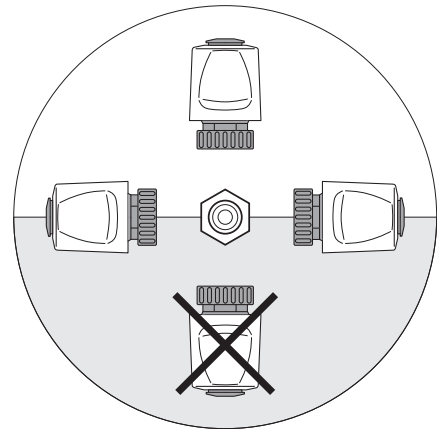
Mounting

All NC versions are equipped with a red mounting split on the position indicator to secure easy valve connection. When mounted this split must be removed for correct operation.



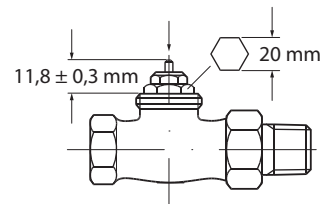
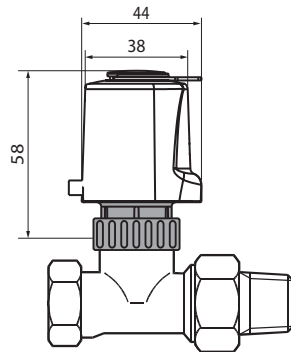
Hand tighten only!

Remove split (NC only)



Mounting positions

Dimensions



Danfoss A/S

Heating Segment • danfoss.com • +45 7488 2222 • E-Mail: heating@danfoss.com

Danfoss can accept no responsibility for possible errors in catalogues, brochures and other printed material. Danfoss reserves the right to alter its products without notice. This also applies to products already on order provided that such alterations can be made without subsequential changes being necessary in specifications already agreed. All trademarks in this material are property of the respective companies. Danfoss and all Danfoss logotypes are trademarks of Danfoss A/S. All rights reserved.