

Installer and user guide for domestic reverse osmosis system

Einbau- und Bedienungsanleitung für Umkehrosmose-Haushaltssysteme

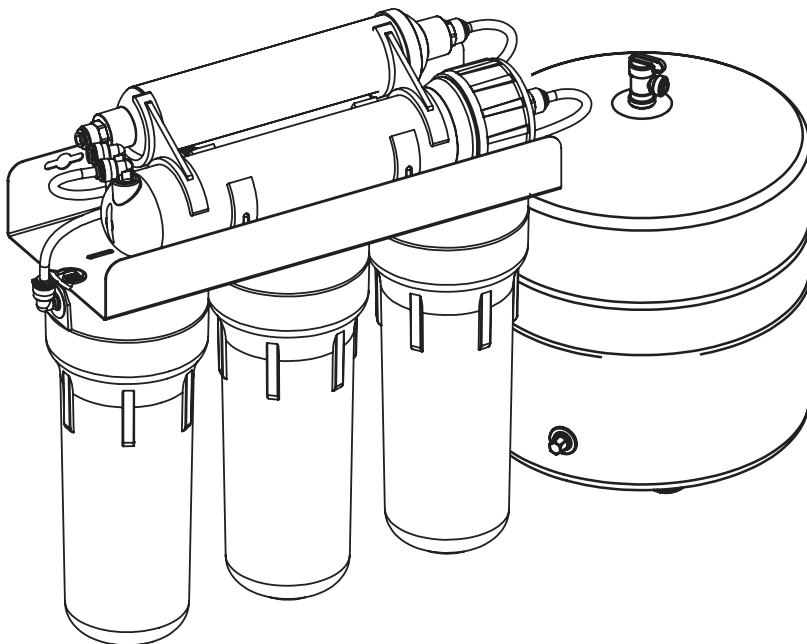
Інструкція з підключення та експлуатації системи зворотного осмосу

Інструкція по підключенню и експлуатации системы обратного осмоса

Manual privind conectarea și exploatarea sistemului de osmoză inversă

Інструкція за монтаж и експлуатация на битови системи за обратна осмоза

Uputstvo za ugradnju, upotrebu i održavanje sistema povratne osmoze



CONTENTS

1	Purpose of the product	4
2	Specifications and components	6
2.1	Model designations	6
2.2	Specifications and requirements	7
2.3	Supply water quality requirements	7
2.4	Reverse osmosis system components	8
3	Connection Diagrams	10
3.1	Connection diagram for base model	10
3.2	Connection diagram for unit with mineralizing post-filter	11
3.3	Connection diagram for unit with ultraviolet lamp	12
3.4	Connection diagram for unit with booster pump	13
3.5	Connection diagram for unit with booster pump and mineralizing post-filter	14
3.6A	Connection diagram for unit with ultraviolet lamp and mineralizing post filter with single lever faucet	15
3.6B	Connection diagram for unit with ultraviolet lamp and mineralizing post filter with double lever faucet	16
3.7	Connection diagram for unit with booster pump and ultraviolet lamp	17
3.8A	Connection diagram for unit with booster pump, ultraviolet lamp, and mineralizing post filter with single lever faucet	18
3.8B	Connection diagram for unit with booster pump, ultraviolet lamp, and mineralizing post filter with double lever faucet	19
3.9A	Connection diagram for unit P'URE with single lever faucet	20
3.9B	Connection diagram for unit P'URE with double lever faucet	21
4	Steps for installing reverse osmosis system	22
4.1	Verify your setup	22
4.2	Installation procedure	22
5	Steps after installation	26
6	Usage	26
6.1	Parts of the filter and their recommended change out rates	27
6.2	The procedure for replacing pre-filter cartridges	27
6.3	The procedure for replacing membrane	29
6.4	The procedure for replacing carbon post-filter and/or mineralizing post-filter	30
6.5	The procedure for replacing UV lamp	30
7	Sanitization of reverse osmosis filter	32
7.1	Sanitization of pressure tank	34
8	Troubleshooting	36
9	Service record	39
10	Environmental and health safety	41
11	Purchasing	41
12	Transportation and storage	41
13	Warranty	41

1. PURPOSE OF THE PRODUCT

Reverse osmosis is by far the most advanced technology of water purification in use today. Special semipermeable membrane structure similar in its properties to the membrane of a living cell is capable of purifying drinking water from virtually all harmful impurities, including nitrates and viruses (see Figure 1). The membrane can be conceived of as having tiny pores, 200 times smaller than viruses and 4000 times smaller than bacteria. Domestic water filters with reverse osmosis membranes harness the principle of body's metabolism on a cellular level. Only molecules of certain size can penetrate cellular membrane.

Reverse osmosis system is a five-stage filtration unit functioning as follows (see section 2.4 for reference numbers). Filter rack is connected to cold water supply with feed water adapter 4 and feed valve 5. Red tube carries water from feed valve to the (rightmost) bulb filter rack. Incoming water then passes through pre-filter cartridges 9. Pre-filter cartridges are designed to remove solids (such as rust, sand, silt, etc), residual chlorine and organochlorines from water. After undergoing pre-treatment steps in the pre filters, water enters into the fourth (and the most important) stage: reverse osmosis membrane 11 contained in a special housing. Inlet of membrane housing is connected with the third (leftmost) bulb filter rack through the feed side of auto shut-off valve (four-way valve fastened to the top of filter rack). One of the two outlets supplies purified water (permeate), and the other carries away water with rejected impurities (concentrate). The membrane purifies water at the molecular level by passing through its pores only the water molecules and the molecules of dissolved oxygen.

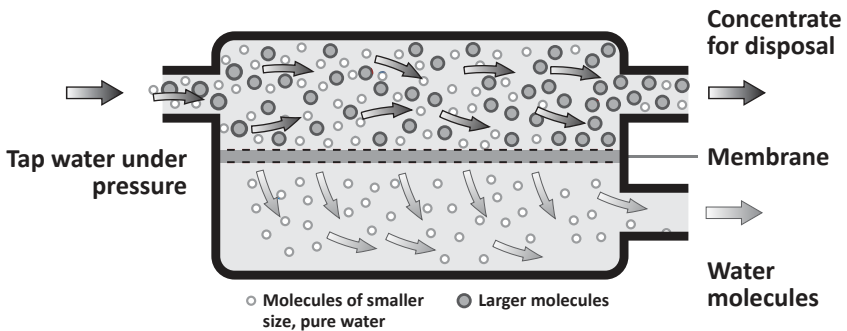


Figure 1

1. PURPOSE OF THE PRODUCT

Inside the membrane, water is separated into two streams: concentrate, which is discharged into drain, and permeate, which enters pressure tank 2 for storage. The tank is connected to the output through the membrane auto shut-off valve and check valve built into the transition fitting that is installed in permeate outlet of membrane housing. After the auto shut-off valve is installed the union tee, through which the tank is connected to the filter rack with yellow tube. On the top of the tank, tank valve 6 is installed.

Pressure tank of the system accumulates purified water. Without it, reverse osmosis membrane wouldn't be able to produce sufficient flow for direct water consumption. For example, if the filter had an installed membrane with a performance of 50 GPD (7.9 l / h), a glass of 200 ml would take over 1.5 min to fill. Thus, the system stores purified water in the tank and delivers it to the user as needed, and then generates a supply of water. Time required to fill empty tank can range from 1.5 to 3 hours. After the tank has been filled the auto shut-off valve shuts off the water supply from the pre filters and the unit stops. After opening purified water faucet 3, the pressure of water in the tank lowers, and the auto shut-off valve automatically resumes the flow of water through the pre filter cartridges to the membrane to re-fill pressure tank. Water with retained impurities (concentrate) is discharged into drain through the concentrate outlet, connected with black tube to drain saddle 8, which is installed on drain pipe. In order to create backpressure, which is required to maintain the operating pressure inside the membrane housing, flow restrictor 14 is installed in the black tube. Flow restrictor is a plastic insert with precision bore capillary. The flow restrictor is inserted inside the end of black tube that is fitted in the membrane concentrate outlet.

When drawn from the faucet, purified water runs from the pressure tank through the union tee through to the fifth stage of purification—carbon post filter, intended for the final purification of water. It contains high quality activated carbon made from coconut shell. This filter improves and refines flavor of purified water. Carbon post-filter is connected with blue tube to the drinking water faucet 3 mounted on sink or counter.

2. SPECIFICATIONS AND COMPONENTS

2.1. MODEL DESIGNATIONS

Models

MO 5-36(50,75,100)
MO 5-36(50,75,100)P
MO 6-36(50,75,100)M
MO 6-36(50,75,100)MP
MO 6-36(50,75,100)UV
MO 6-36(50,75,100)UVP
MO 7-36(50,75,100)MUV
MO 7-36(50,75,100)MUVP

Model of your system



- 1** — The type of filter. RO stands for reverse osmosis.
- 2** — Number of stages.
- 3** — Capacity of reverse osmosis membrane in GPD (gallons per day)*:

36GPD	136 liters per day	5.6 liters per hour
50GPD	190 liters per day	7.9 liters per hour
75GPD	280 liters per day	11.6 liters per hour
100GPD	380 liters per day	15.8 liters per hour

*Capacity of the reverse osmosis filter is variable and depends on a number of factors. These include supply water quality, wear of pre-filter cartridges and of membrane itself, supply water pressure and temperature.

- 4** — Legend of additional equipment (no letters specify base model with no extra equipment):

M	The filter is equipped with mineralizing post-filter
P	The filter is equipped with pressure booster pump
UV	The filter is equipped with ultraviolet disinfection unit

For example: Ecosoft MO775MUVP means reverse osmosis unit with 7 stages equipped with membrane of 75 gallon per day capacity (11.6 l / h), mineralizing post-filter, UV lamp, and booster pump.

CAUTION!

Filter installation should be carried out by a specialist with appropriate qualifications and experience.

The product should only be used with cold water supply!

2. SPECIFICATIONS AND COMPONENTS

2.2. SPECIFICATIONS AND REQUIREMENTS

	Parameter	Value
1	Main pressure (no booster pump), barg	3-6*
2	Main pressure (booster pump installed), barg	2-4,5
3	Tank bladder pressure, barg	0,4-0,6**
4	Feed water temperature, °C	+4...+30***
5	Weight of the system (base model), kg	6
6	Ambient temperature, °C	+5.....+40***
7	Water supply connection	½" thread
8	Filter dimensions, H×W×D (basic assembly), mm	350x450x150
9	Tank dimensions, H×W×D, mm	350x260x260

* If supply water pressure is below required value, purchase pumped model or fit your existing filter with booster pump. If the pressure in the water system is above the limit, it is necessary to install a pressure regulator on the main pipe.

** If pressure in tank bladder is outside this range, it is necessary to pump up or release the pressure until it conforms to the requirement.

*** If supply water temperature is up in the range of +20...+30 °C, rejection of impurities will be decreased and system capacity increased, bringing about an increase in TDS. Using the product with supply water temperature in excess of +30 °C is not recommended.

2.3. SUPPLY WATER QUALITY REQUIREMENTS*

	Index	VALUE**
1	pH	6,5-8,5
2	TDS	<1500 ppm
3	Hardness	<500 ppm CaCO ₃ (<28 °dH)
4	Free chlorine	<0.5 ppm
5	Iron	<0.3 ppm
6	Manganese	<0.1 ppm
7	Chemical oxygen demand	<5 ppm O ₂
8	Total bacterial count (TBC)	<50 CFU/mL
9	E. coli titer	<3

* If water supply does not meet the requirements, service life of membrane and/or pre-filter cartridges may be shortened.

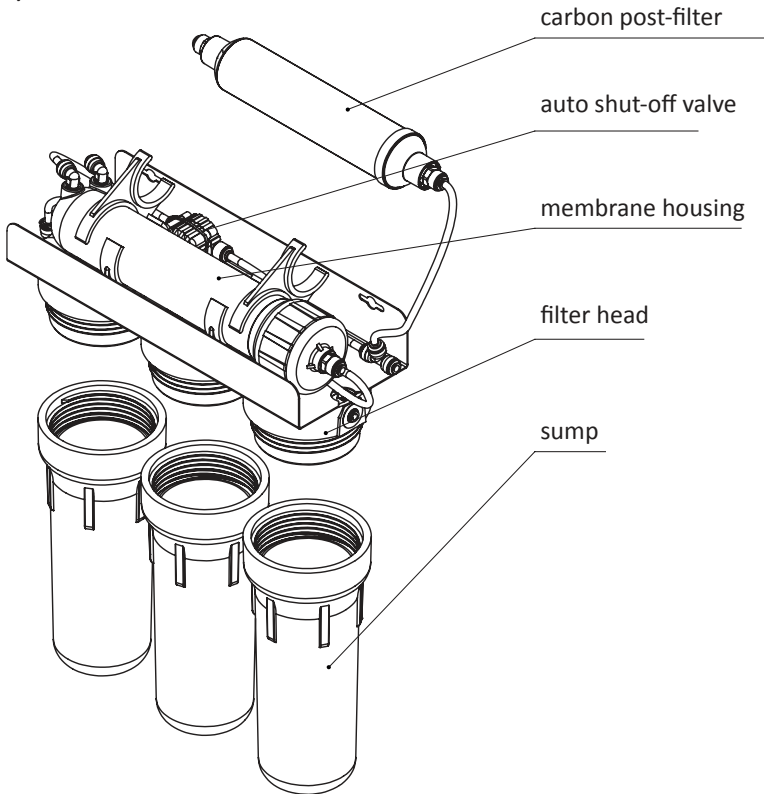
** If your home is supplied with raw wellwater, perform laboratory test of your water before installing a reverse osmosis filter. If any of your water indices exceed the limit, consider using a water treatment system to correct supply water quality. Refer to water treatment specialists or companies for advice and proper equipment selection.

2. SPECIFICATIONS AND COMPONENTS

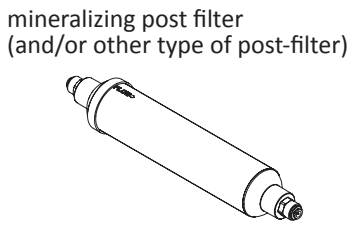
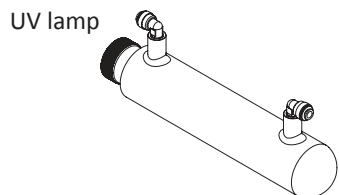
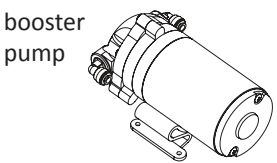
2.4. REVERSE OSMOSIS SYSTEM COMPONENTS

The manufacturer reserves the right to modify product design or specific components, if such modification does not entail deterioration of consumer properties of the product.

1) Filter rack



Options:

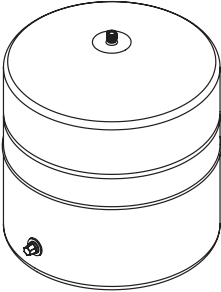


2. SPECIFICATIONS AND COMPONENTS

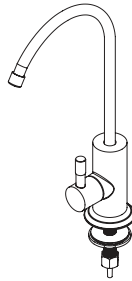
2.4. REVERSE OSMOSIS SYSTEM COMPONENTS

ENG

2) Pressure tank



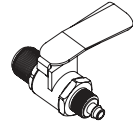
3) Drinking water faucet



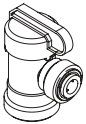
4) Feed water adapter



5) Feed valve



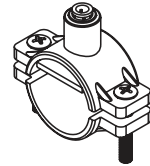
6) Tank valve



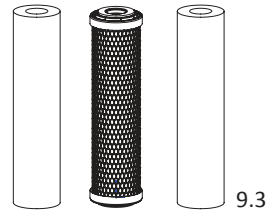
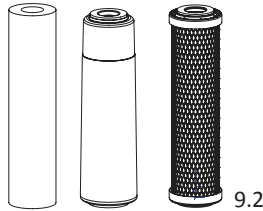
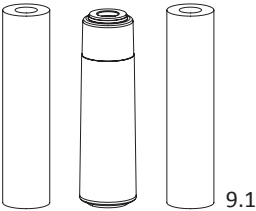
7) Set of colored tubes (4 pieces)



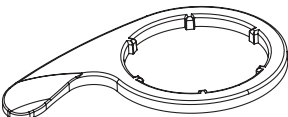
8) Drain saddle



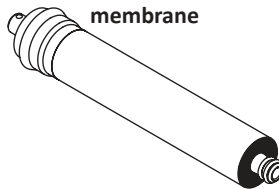
9) Set of pre-filter cartridges (may vary with model)



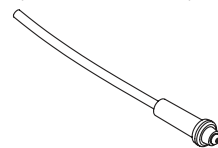
10) Sump wrench



11) Reverse osmosis membrane



12) Flow restrictor (inserted in black tube)

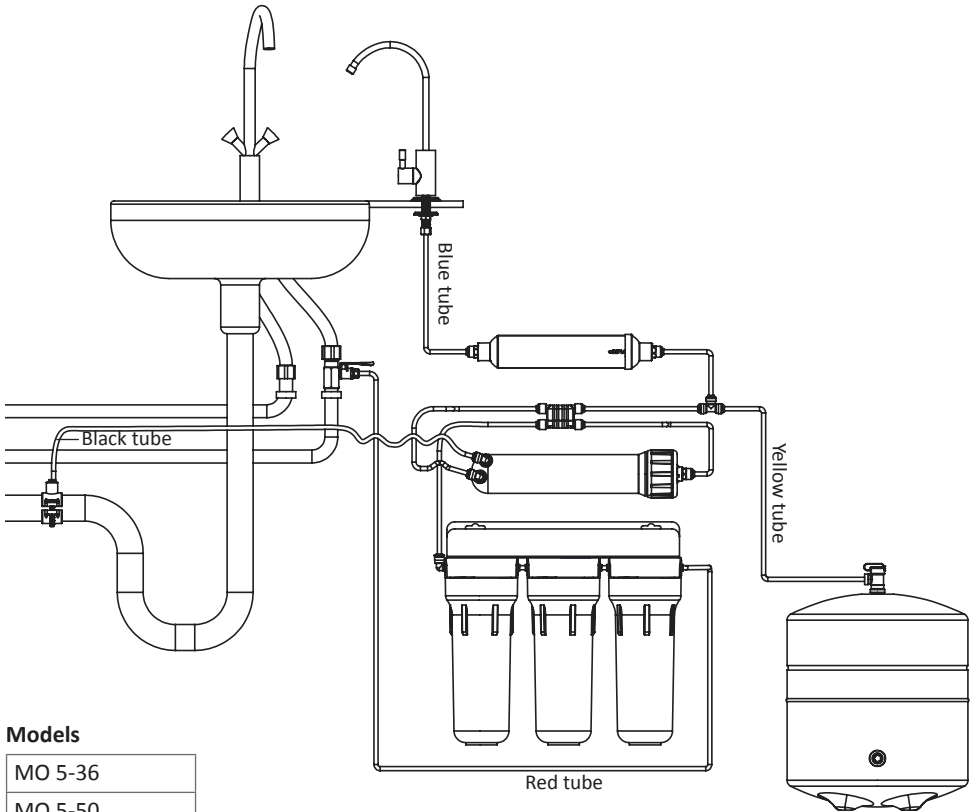


13) Locking clip: accessory securing push-fit connections from inadvertent disconnection in easily accessible locations. Presence of the clip has no effect on tightness of the connection. Quantity of clips in your reverse osmosis filter may vary depending on design of the product, and has no bearing on its performance.



3. CONNECTION DIAGRAMS

3.1. CONNECTION DIAGRAM FOR BASE MODEL



Models

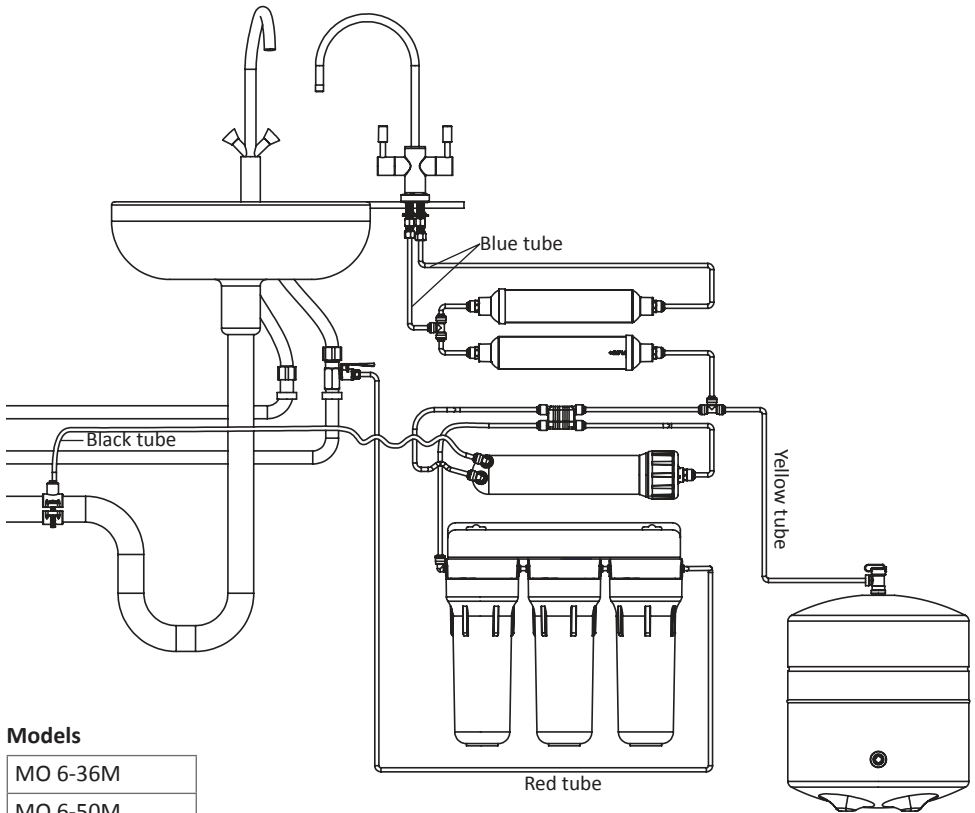
MO 5-36
MO 5-50
MO 5-75
MO 5-100

The manufacturer reserves the right to modify product design or specific components, if such modification does not entail deterioration of consumer properties of the product.

3. CONNECTION DIAGRAMS

3.2. CONNECTION DIAGRAM FOR UNIT WITH MINERALIZING POST-FILTER

ENG



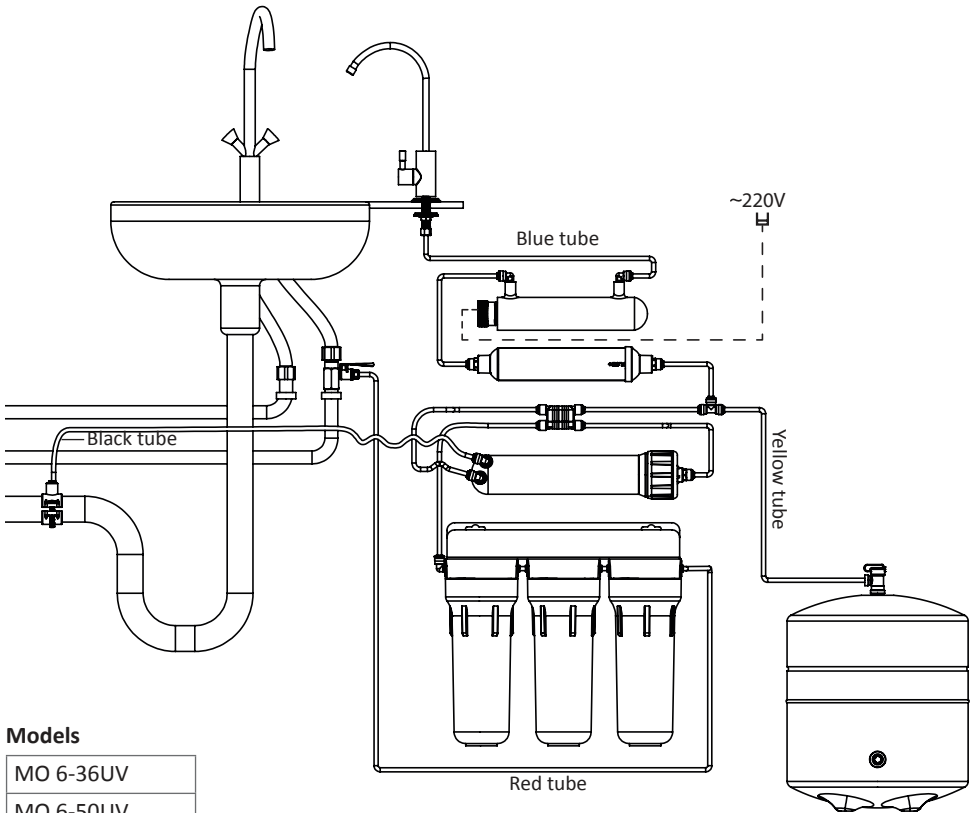
Models

MO 6-36M
MO 6-50M
MO 6-75M
MO 6-100M

The manufacturer reserves the right to modify product design or specific components, if such modification does not entail deterioration of consumer properties of the product.

3. CONNECTION DIAGRAMS

3.3. CONNECTION DIAGRAM FOR UNIT WITH ULTRAVIOLET LAMP



Models

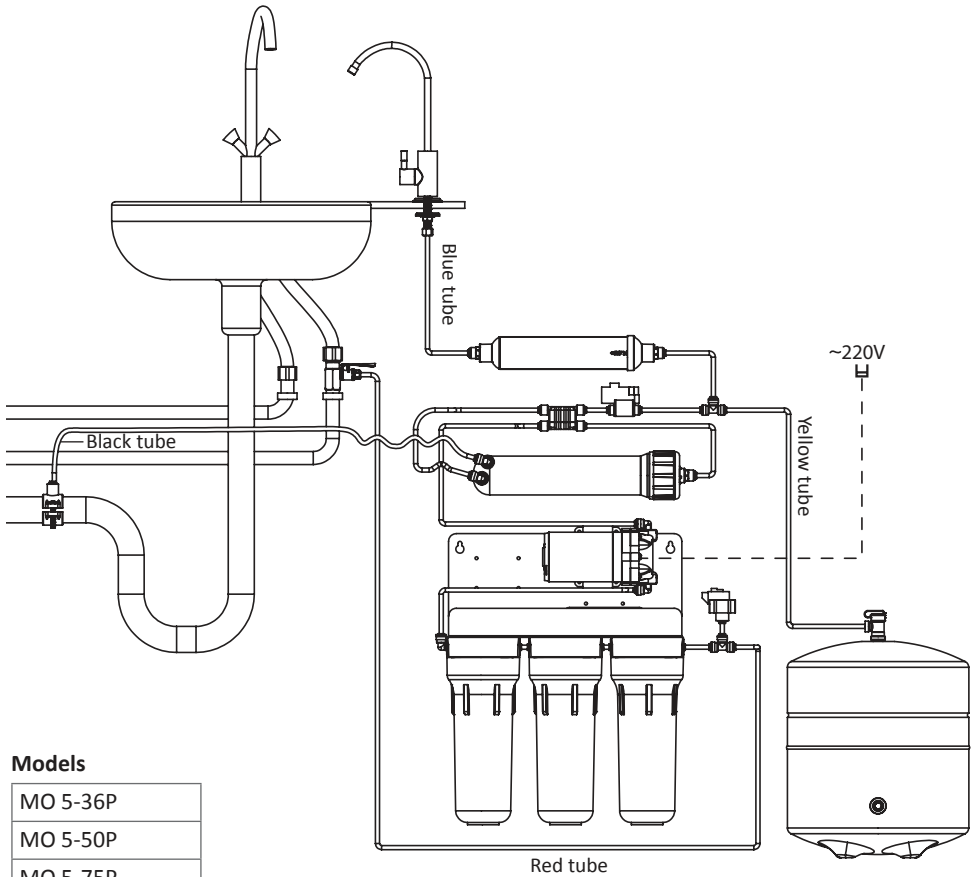
MO 6-36UV
MO 6-50UV
MO 6-75UV
MO 6-100UV

The manufacturer reserves the right to modify product design or specific components, if such modification does not entail deterioration of consumer properties of the product.

3. CONNECTION DIAGRAMS

3.4. CONNECTION DIAGRAM FOR UNIT WITH BOOSTER PUMP

ENG



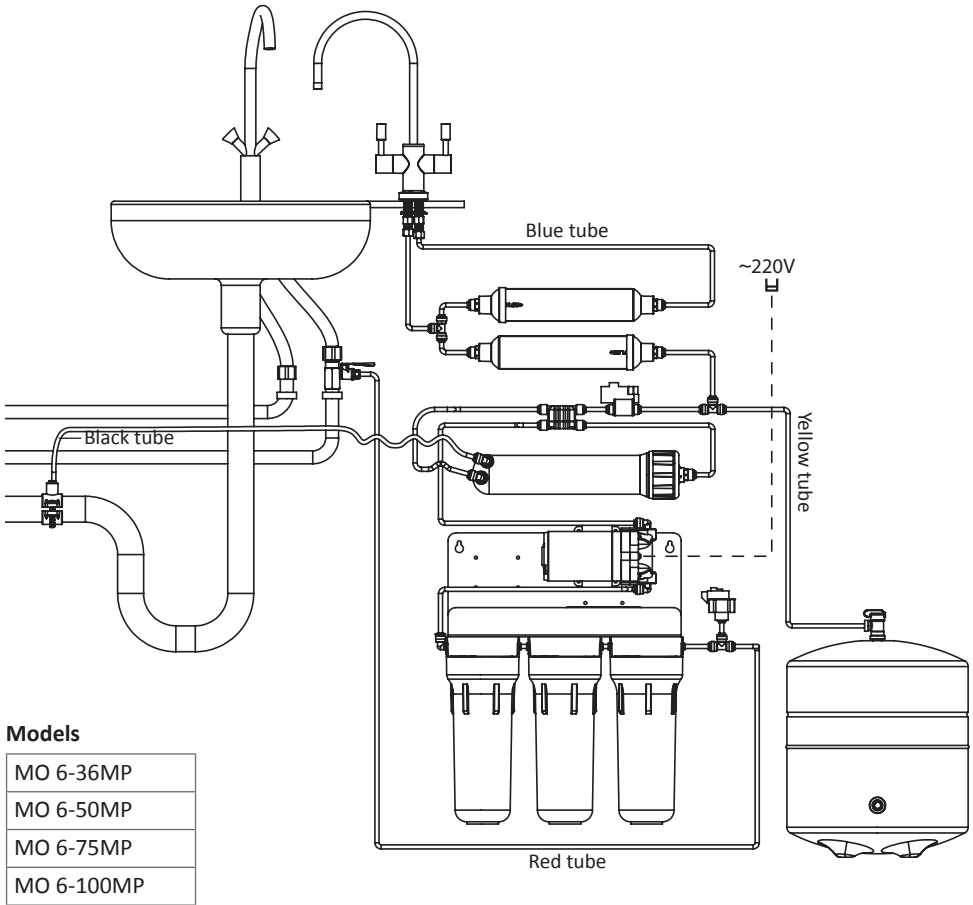
Models

MO 5-36P
MO 5-50P
MO 5-75P
MO 5-100P

The manufacturer reserves the right to modify product design or specific components, if such modification does not entail deterioration of consumer properties of the product.

3. CONNECTION DIAGRAMS

3.5. CONNECTION DIAGRAM FOR UNIT WITH BOOSTER PUMP AND MINERALIZING POST-FILTER

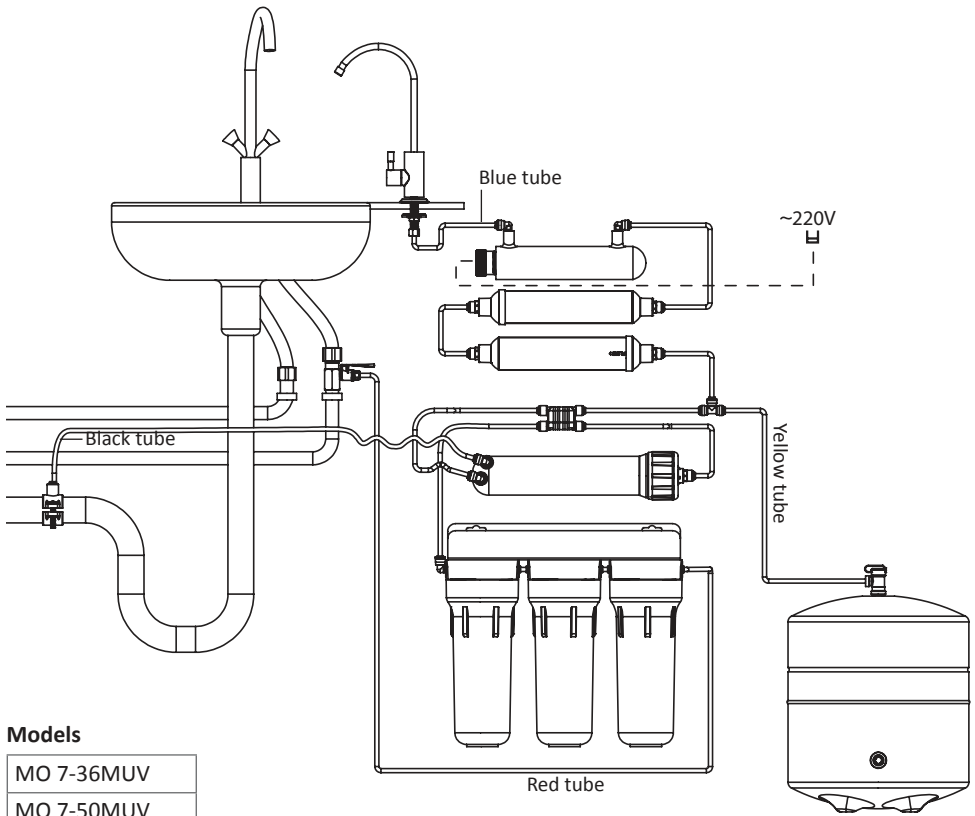


The manufacturer reserves the right to modify product design or specific components, if such modification does not entail deterioration of consumer properties of the product.

3. CONNECTION DIAGRAMS

3.6A. CONNECTION DIAGRAM FOR UNIT WITH ULTRAVIOLET LAMP AND MINERALIZING POST FILTER WITH SINGLE LEVER FAUCET

ENG



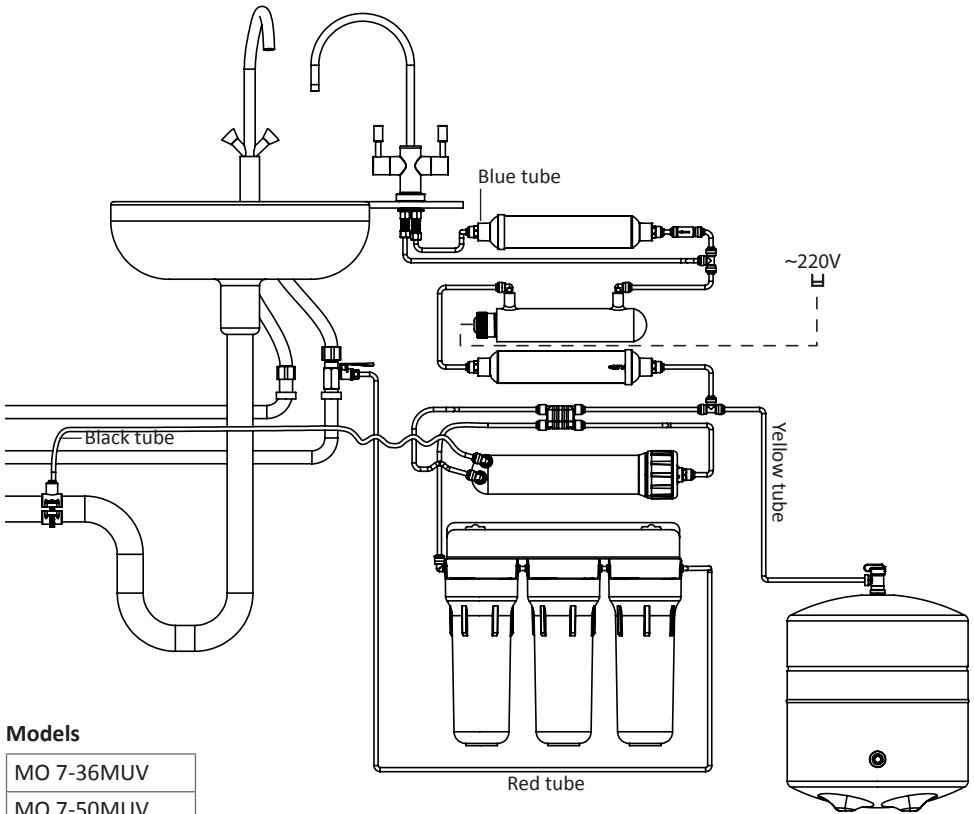
Models

MO 7-36MUV
MO 7-50MUV
MO 7-75MUV
MO 7-100MUV

The manufacturer reserves the right to modify product design or specific components, if such modification does not entail deterioration of consumer properties of the product.

3. CONNECTION DIAGRAMS

3.6B. CONNECTION DIAGRAM FOR UNIT WITH ULTRAVIOLEET LAMP AND MINERALIZING POST FILTER WITH DOUBLE LEVER FAUCET



Models

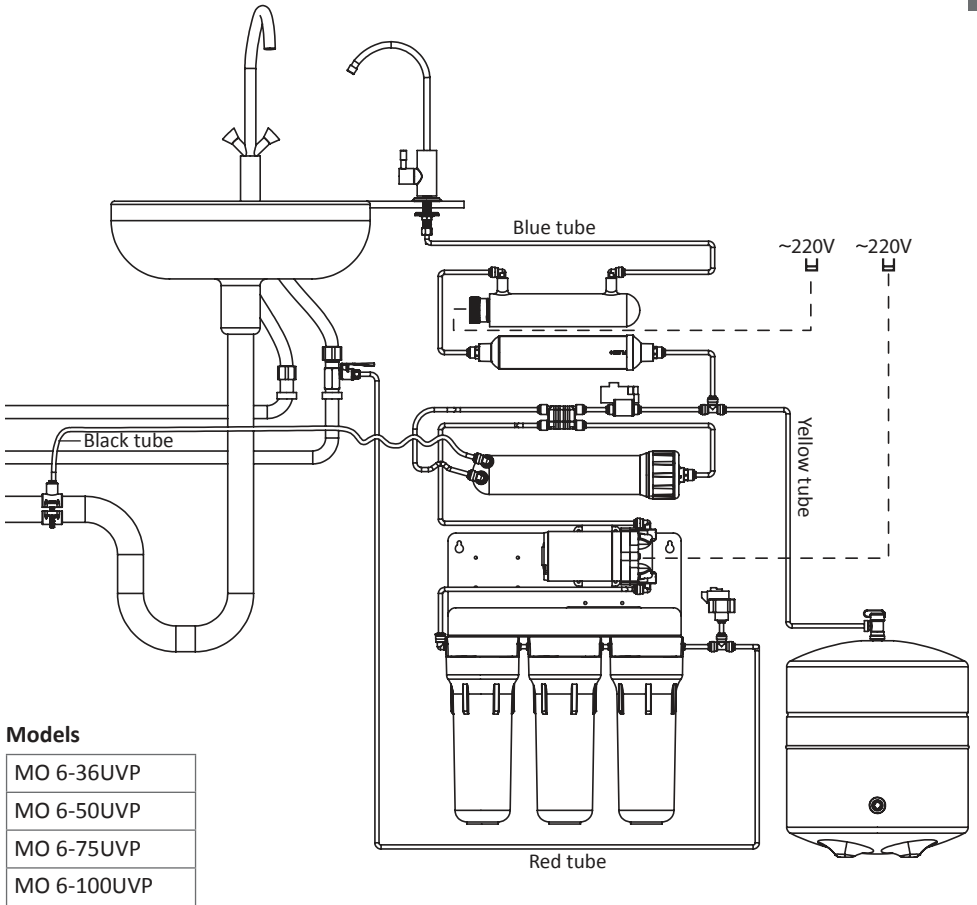
MO 7-36MUV
MO 7-50MUV
MO 7-75MUV
MO 7-100MUV

The manufacturer reserves the right to modify product design or specific components, if such modification does not entail deterioration of consumer properties of the product.

3. CONNECTION DIAGRAMS

3.7. CONNECTION DIAGRAM FOR UNIT WITH BOOSTER PUMP AND ULTRAVIOLET LAMP

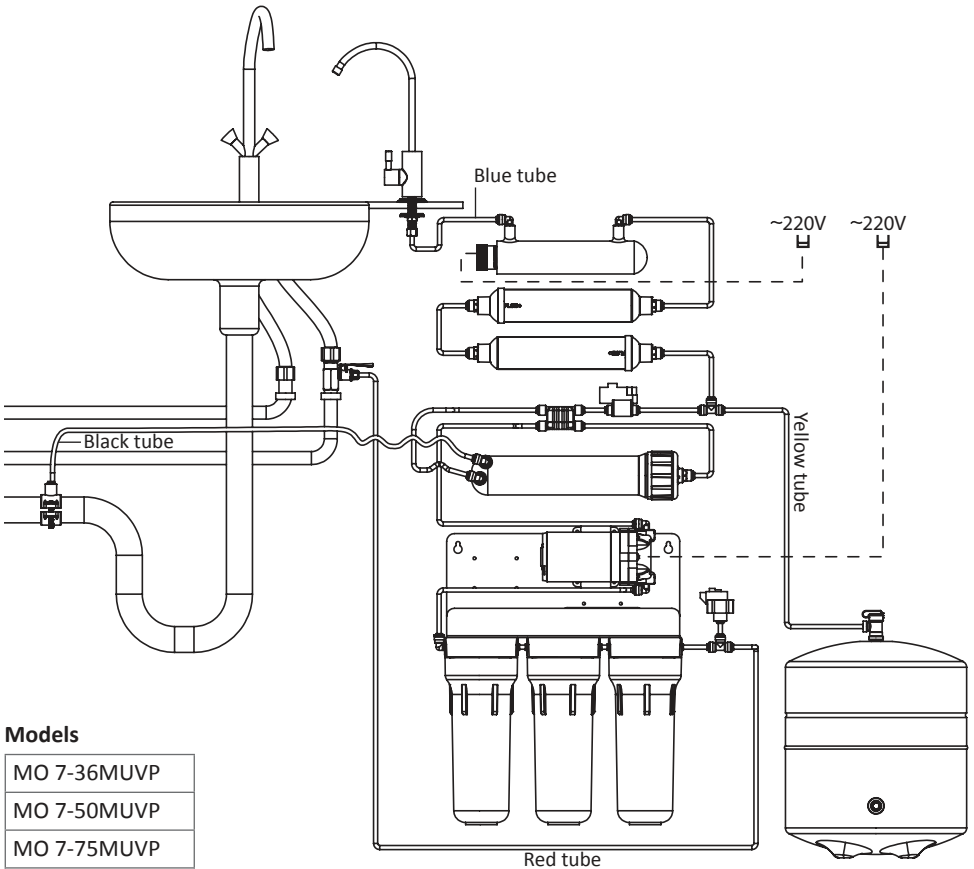
ENG



The manufacturer reserves the right to modify product design or specific components, if such modification does not entail deterioration of consumer properties of the product.

3. CONNECTION DIAGRAMS

3.8A. CONNECTION DIAGRAM FOR UNIT WITH BOOSTER PUMP, ULTRAVIOLET LAMP, AND MINERALIZING POST FILTER WITH SINGLE LEVER FAUCET



Models

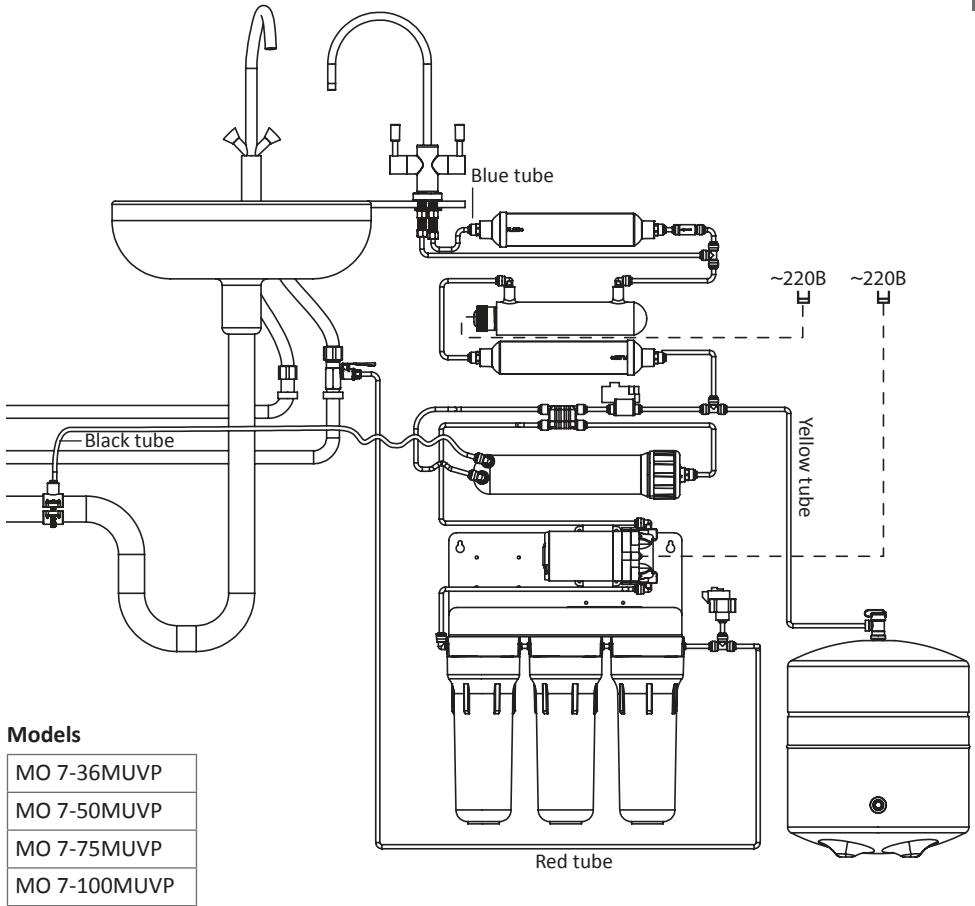
MO 7-36MUVP
MO 7-50MUVP
MO 7-75MUVP
MO 7-100MUVP

The manufacturer reserves the right to modify product design or specific components, if such modification does not entail deterioration of consumer properties of the product.

3. CONNECTION DIAGRAMS

3.8B. CONNECTION DIAGRAM FOR UNIT WITH BOOSTER PUMP, ULTRAVIOLET LAMP, AND MINERALIZING POST FILTER WITH DOUBLE LEVER FAUCET

ENG



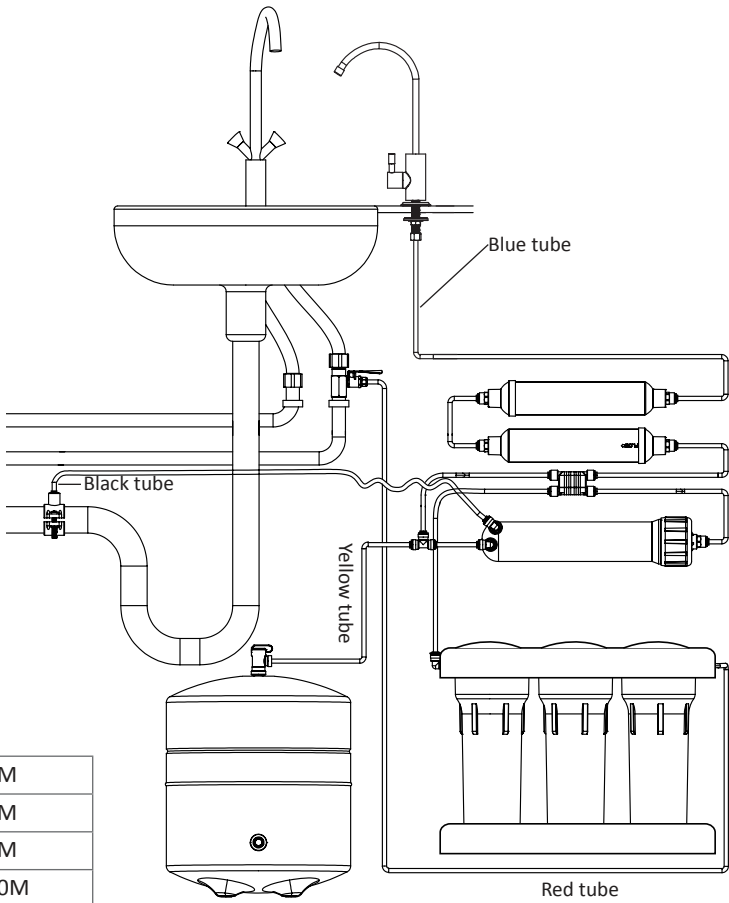
Models

MO 7-36MUVP
MO 7-50MUVP
MO 7-75MUVP
MO 7-100MUVP

The manufacturer reserves the right to modify product design or specific components, if such modification does not entail deterioration of consumer properties of the product.

3. CONNECTION DIAGRAMS

3.9A. CONNECTION DIAGRAM FOR UNIT P'URE WITH SINGLE LEVER FAUCET



Models

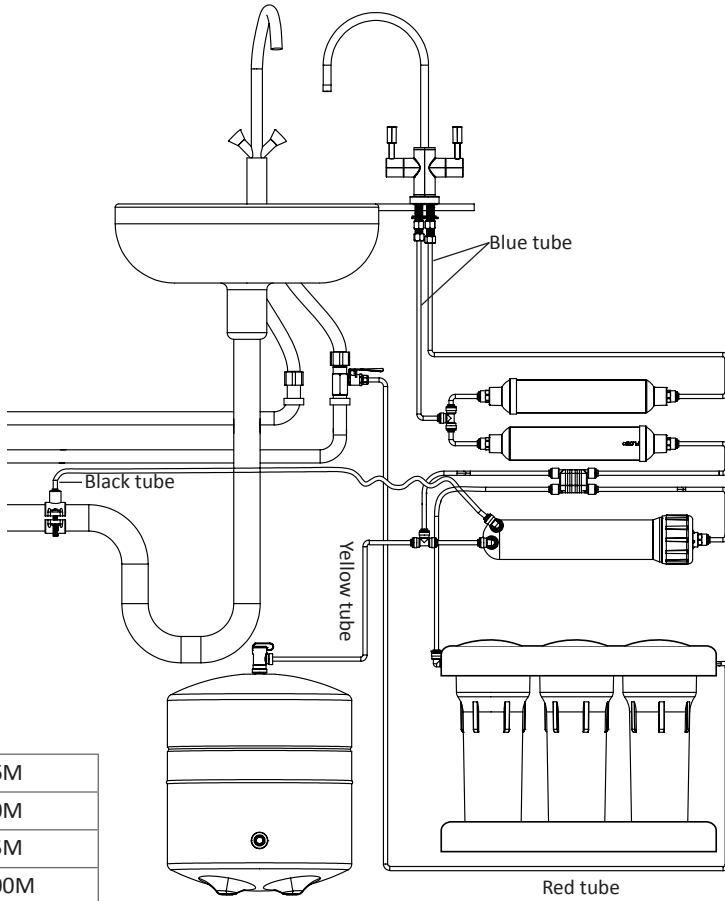
MO 6-36M
MO 6-50M
MO 6-75M
MO 6-100M

The manufacturer reserves the right to modify product design or specific components, if such modification does not entail deterioration of consumer properties of the product.

3. CONNECTION DIAGRAMS

3.9B. CONNECTION DIAGRAM FOR UNIT P'URE WITH DOUBLE LEVER FAUCET

ENG



Models

MO 6-36M
MO 6-50M
MO 6-75M
MO 6-100M

The manufacturer reserves the right to modify product design or specific components, if such modification does not entail deterioration of consumer properties of the product.

4. STEPS FOR INSTALLING REVERSE OSMOSIS SYSTEM

Before installing a domestic reverse osmosis filter please carefully read this instruction.

4.1. VERIFY YOUR SETUP

- 1) Check that all parts are in the package. Do not open the plastic bags with filter parts before you make sure everything is in place to be able to return faulty/incomplete package.
- 2) Check conformity of your local variables to requirements specifications:

Main pressure*	Tank pressure*	Supply water temperature*
Check water pressure at mains before installing the product. Compare to the requirements in paragraph 2.2.	Check pressure in the tank bladder. Compare to the requirements in paragraph 2.2.	Check temperature of supply water. Compare to the requirements in paragraph 2.2.
*Refer to paragraph 2.2 for recommended measures in case any of the above variables does not meet the requirements.		

- verify that your product is as specified in paragraph 2.2;
 - verify that your supply water quality** meets the requirements in paragraph 2.3.
- **If supply water quality does not meet the requirements, it is necessary to consult with a water treatment specialist.**

- 3) Before installing the system, make sure there is enough space for both the filter rack and the pressure tank under the sink. In case there is not enough available space, pressure tank can be placed in a separate location provided that the yellow tube’s length is sufficient to connect it to the rest of the system.
- 4) Install the system per the guidelines of this manual.

4.2. INSTALLATION PROCEDURE

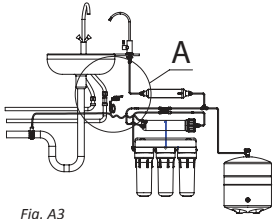
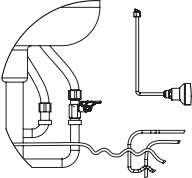
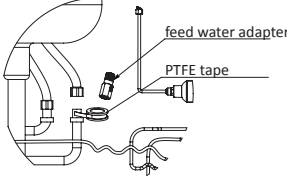
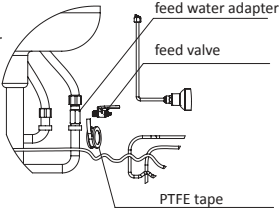
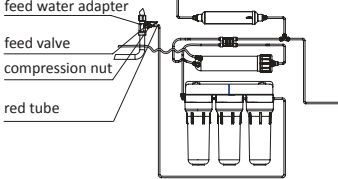
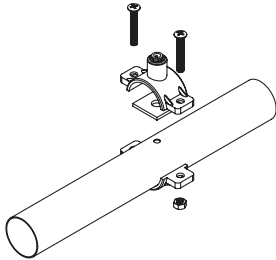
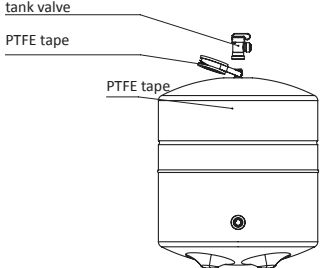
CAUTION! This system has been tested by the manufacturer for leaks, so within the system the presence of residual water is allowed.

Wash your hands thoroughly with anti-bacterial soap before handling tubes, cartridges, and membrane.

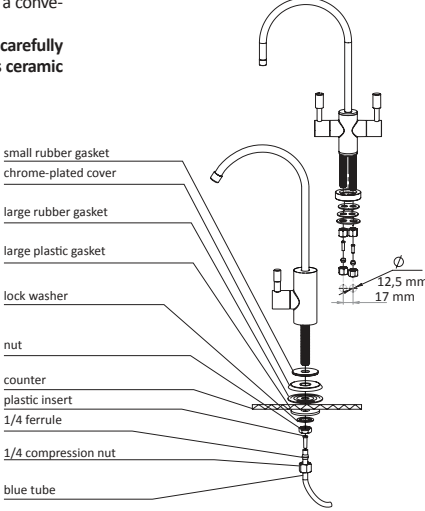
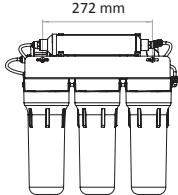
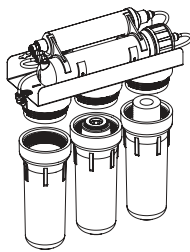
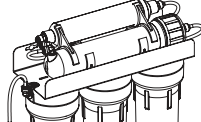
This system should desirably be installed in places protected from direct sunlight and away from heating appliances.

1.	Remove the reverse osmosis system from its packaging and check the equipment. Do not open the bag with components. Note that you will not be able to claim missing parts if the bag is opened.
2.	Shut off water supply in your kitchen or whole home and open water tap where you are about to install the system (on your kitchen sink) for 1 minute to relieve pressure in the system, and then close it.

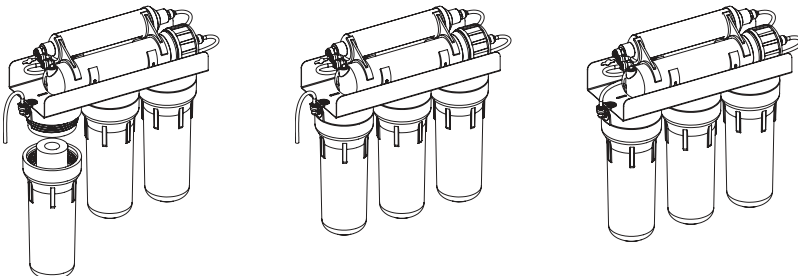
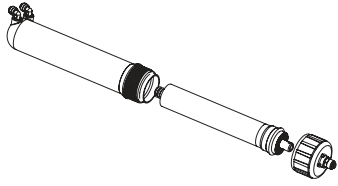
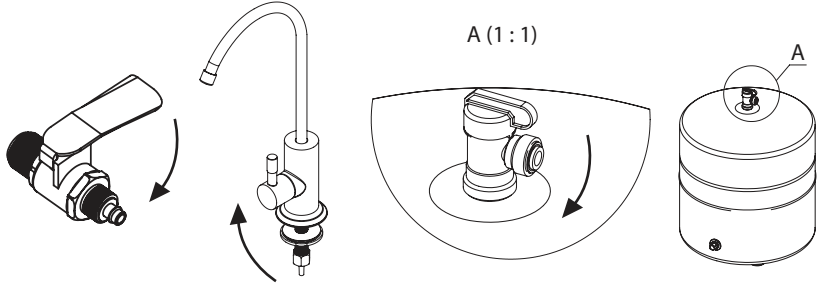
4. STEPS FOR INSTALLING REVERSE OSMOSIS SYSTEM

<p>3.</p>	<p>Screw the feed water adapter 4 into the cold water plumbing. Screw the feed valve 5 into the feed water adapter 4. To help prevent water leaks use PTFE sealing tape.</p> <p>Connections size is selected to fit most common size ½ inch pipe. If your pipe is of another size, prepare an appropriate adapter.</p>	
<p><i>Fig. A1</i></p> 	<p><i>Fig. A2</i></p> 	<p><i>Fig. A3</i></p> 
<p>4.</p>	<p>Unscrew the compression nut from the feed valve 5 and put it on the red tube. Push the red tube on the end of feed valve's fitting and screw on the compression nut. Connect the free end of the red tube with the quick connect fitting of the first (rightmost) housing in the rack.</p>	
<p>5.</p>	<p>Connect the drain saddle 8 with drain pipe from the kitchen sink. The drain saddle is compatible with most standard drain pipes. Drill a hole of 5,0 mm diameter in the kitchen sink drain pipe, apply rubber gasket with sticky base (included in the package). Install the drain saddle 8 on the drain pipe over the hole. Tighten nuts on drain saddle with a wrench. Insert black tube into the connection on the clamp (figure 4). Connect the other end of the black tube with concentrate outlet of membrane housing.</p> <p>CAUTION! Check if the flow regulator 12 is installed in the black tube in the end connected to membrane housing.</p>	
<p>6.</p>	<p>Put a few turns of PTFE tape on the thread on tank outlet. Screw the tank valve onto the tank outlet. Close the tank valve.</p> <p>IMPORTANT! Check air pressure in empty tank. Tank should be pressurized to 0.4-0.6 bar. If necessary, use a pump with a pressure gauge to increase the pressure or push the core of the valve stem to relieve pressure.</p>	

4. STEPS FOR INSTALLING REVERSE OSMOSIS SYSTEM

<p>7.</p>	<p>Installation of the faucet.</p>	<p>7.1 To install drinking water faucet 3 drill 12.5 mm diameter hole in a convenient location at the sink or countertop. Caution! metal shavings can damage your unit, remove them carefully as soon as you have drilled the hole. If the mounting surface is ceramic or stone, you may need a special carbide drill.</p> <p>7.2 Mount the faucet on the sink or countertop as shown on the figure. Nut, lock washer and plastic washer on the faucet shank must fix the faucet firmly on the surface.</p> <p>7.3 Take the blue tube, put on compression nut, ferrule, and put plastic insert inside, in that order.</p> <p>7.4 Push the blue tube as deeply as possible into the bottom of the faucet's shank, ensuring the compression ring is in the joint. Screw on the compression nut in order to join the tube to the faucet.</p> <p>7.5 Installation of the double lever faucet (for a system with mineralizing post-filter) is done similarly.</p> 
<p>8.</p>	<p>Select spot where you are going to install the filter and make two holes. The distance between the holes in the wall must precisely correspond to that between the holes in the bracket. Allow for at least 100 mm gap between the bottom of the filter and floor. Install screw anchors if necessary and screw in two screws (not included). The distance between the holes is 272 mm.</p>	
<p>9.</p>	<p>Insert cartridges into the first and the second housings in the direction of water flow (leftwards).</p>	
<p>10.</p>	<p>Tighten all the three sumps by hand.</p>	
<p>11.</p>	<p>Unplug the tube that connects the third housing (in the direction of water flow) with the auto shut-off valve from the valve.</p>	

4. STEPS FOR INSTALLING REVERSE OSMOSIS SYSTEM

12.	<p>Open the water tap 5 and let through the first two pre-filters with cartridges 5-7 liters of water to wash off the coal dust that may appear in cartridges during shipping. CAUTION! This water will pour through the tube disconnected from auto shut-off valve, prepare a vessel to collect it.</p>
13.	<p>Insert the cartridge into the third sump along water flow direction and attach the sump back again. Let through at least 4 liters of water to wash off the coal dust. Close the feed valve 5 and connect the free end of the tube back to the auto shut-off valve.</p> <div style="text-align: center;">  </div>
14.	<p>Install the membrane 11 into the membrane housing. CAUTION! Cut the plastic bag to install the reverse osmosis membrane. Install the membrane without first unpacking it by pushing it into the housing directly from the bag. Avoid touching the membrane and only hold it covered with the bag.</p> <div style="text-align: right;">  </div>
15.	<p>Leave the feed valve 5 and purified water faucet 3 open for 30 minutes. Then open the tank valve 6. Close the faucet 3 and carefully check all connections for leaks. CAUTION! The first week after installation, check the system daily for leaks, do it periodically in the future. If you are leaving for a long time such as for a business trip or vacation, shut off the water supply.</p> <div style="text-align: center;">  </div>
16.	<p>After the water tank is filled (you will hear the water stop flowing) drain all water from the tank by opening the faucet 3. After the tank has been emptied, close the faucet 3 so that the tank starts re-filling. Depending on the pressure in your water mains, it may take 1.5 to 3 hours. After the tank is filled for the second time, you can use purified water.</p>

5. STEPS AFTER INSTALLATION

VERIFICATION OF THE UNIT'S OPERATING PARAMETERS

1. Measure time needed to fill the tank. Tank is filled when the dumping of the concentrate into the drain has stopped. The value obtained is dependent on the supply water pressure (pressure in water mains).

2. Measure recovery (proportion of supply water that becomes purified). You will need 1 L measuring cup and a stopwatch.

Shut off tank valve 6, open faucet 3 and measure time that the unit takes to produce 1 L of permeate (purified water), then close faucet 3. Write down the result (t_{Permeate} in the equation below).

Disconnect the black tube connected to sink drain from drain saddle. Open faucet 3 and measure time that the unit takes to produce 1 L of concentrate (waste water), then close faucet 3 and open tank valve 6.

Write down the result ($t_{\text{Concentrate}}$ in the equation below). Calculate recovery using formula:

$$R, \% = \frac{t_{\text{Concentrate}}}{t_{\text{Permeate}} + t_{\text{Concentrate}}} \times 100\%$$

Where t is the number of seconds to obtain 1 L of water, R is recovery.

3. Measure TDS of supply water and TDS of purified water using a calibrated TDS meter.

4. Check if the auto shut-off valve functions properly. Close tank valve 6 and faucet 3. The unit must stop operating (water should stop being discharged to drain) within 10 minutes.

5. Check the unit for leaks.

6. Advise unit owner on filter maintenance and encourage to read this manual.

7. Make record of commissioning in the maintenance log in paragraph 9 of this book.

6. USAGE

Domestic reverse osmosis system is designed for purification of cold water only.

If the filling time of the tank increased, this means that the pre-filter cartridges are worn out and should be urgently replaced. Delay in the replacement of cartridges can lead to deterioration or destruction of the membrane.

To avoid such critical situations, it is strongly recommended that you **change pre-filter cartridges at least once every 3 months**.

If the rate of filtration drops significantly and is not helped by replacing pre-filters, you need to replace reverse osmosis membrane.

To enjoy purified water of consistent quality, it is recommended **to replace the membrane at least once in 1-1.5 years**.

In case of prolonged downtime (2 weeks or more), it is necessary to sanitize the system as described in paragraph 7.

If you plan on leaving for an extended while, it is recommended to shut off the water supply.

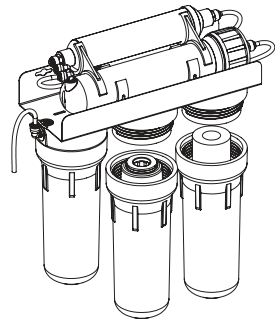
6. USAGE

6.1. PARTS OF THE FILTER AND THEIR RECOMMENDED CHANGE OUT RATES

Stage of filtration	Name of cartridge	Term for replacement
first	Pre-filter cartridges for reverse osmosis feed water pre-treatment. Life of cartridges depends on quality of supply water and daily consumption of purified water.	At least once in 3 months
second		
third		
fourth	Reverse osmosis membrane	Once a year
fifth	Carbon post-filter	
sixth	Mineralizing post-filter/UV lamp	

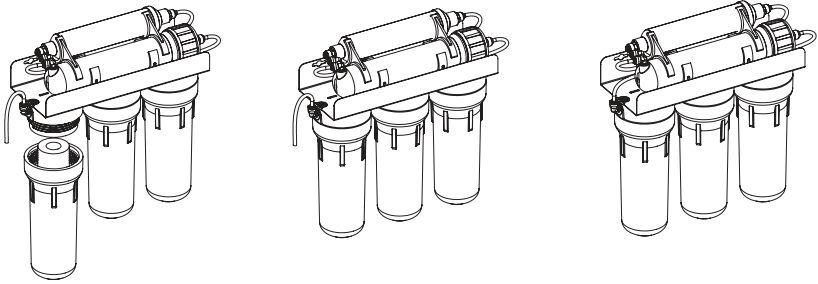
6.2. THE PROCEDURE FOR REPLACING PRE-FILTER CARTRIDGES

1.	Shut off feed valve 5 and tank valve 6 .
2.	Wash your hands with antibacterial soap.
3.	Unscrew with the sump wrench 10 first and second sumps in water flow direction (right to left). Be careful as the sumps are filled with water.
4.	Remove the used filter cartridges.
5.	Wash sumps with unflavored soap and a clean sponge, then rinse thoroughly with water.
6.	Insert the new cartridges in the first and second sumps by water flow direction.
7.	Disconnect the tube stemming from the third sump from the auto shut-off valve.
8.	Open the feed valve 5 and let through the first two installed cartridges 5-7 liters of water to rinse the coal dust that may be produced in cartridges during shipping. CAUTION! This water will pour through the tube disconnected from auto shut-off valve, prepare a vessel to collect it.



6. USAGE

9. Remove the third pre-filter's sump from filter head. Be careful as it is filled with water.
10. Remove the used filter cartridge and wash the sump with unflavored soap and a clean sponge, then rinse thoroughly with water.
11. Insert new cartridge into the third sump. Screw the sump back on and let through at least 4 more liters of water to flush the coal dust. Close the feed valve **5** and connect the previously separated tube with the auto shut-off valve.



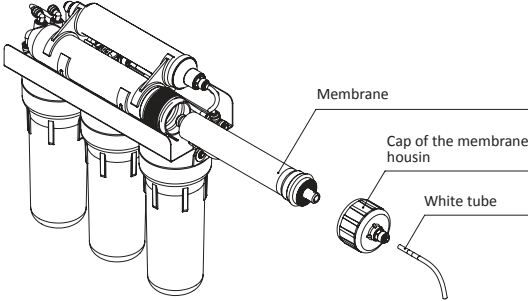
13. Open the tank valve **6**.
14. Open the feed valve **5**.

6. USAGE

ENG

6.3 THE PROCEDURE FOR REPLACING MEMBRANE

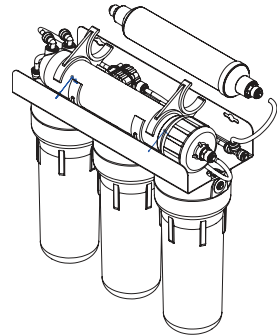
(membrane replacement should be performed by a qualified specialist)

1.	Turn off water supply to the system (feed valve 5), shut off the tank valve 6 .
2.	BOpen the purified water faucet 3 to relieve permeate pressure.
3.	Disconnect the white tube from the inlet in membrane housing cap.
4.	Unscrew the membrane housing cap.
5.	Remove the used reverse osmosis membrane 11 (remember which end of the membrane goes where).
	
6.	Lubricate rubber seals of the fresh replacement membrane and membrane housing cap sealing. CAUTION! To avoid damage to the membrane, only use food grade glycerol as lubricant.
7.	Install the fresh membrane into the housing, observing its direction and position of the tube. CAUTION! Cut the plastic bag to install the reverse osmosis membrane. Install the membrane without first unpacking it by pushing it into the housing directly from the bag. Avoid touching the membrane and only hold it covered with the bag.
8.	Screw on the housing cap.
9.	Connect the white tube to the membrane housing inlet.
10.	Close drinking water faucet 3 .
11.	Open the tank valve 6 .
12.	Open the feed valve 5 .
13.	Once the tank is full (you will hear the water stop flowing), drain all water from the tank into the sink by opening faucet 3. When the water stops running, close the purified water faucet 3 so that the tank starts to re-fill. Depending on the pressure in your water mains, filling may take 1.5 to 3 hours. After the second tank re-fill, you can safely use the purified water.

6. USAGE

6.4 THE PROCEDURE FOR REPLACING CARBON POST-FILTER AND/OR MINERALIZING POST-FILTER

1.	Turn off water supply to the system (feed valve 5), shut off the tank valve 6 .
2.	Open the purified water faucet 3 to relieve permeate pressure.
3.	<p data-bbox="164 443 688 492">Disconnect the tubes that connect the carbon post filter / mineralizing post-filter to the rest of the system (remember which goes where).</p> <p data-bbox="164 508 688 557">Remove the used carbon post-filter / mineralizing post-filter from clip brackets.</p> <p data-bbox="164 573 688 621">Install new carbon post-filter / mineralizing post-filter, guided by arrows that indicate the direction of water flow.</p> <p data-bbox="164 638 688 686">Connect the tubes to the new carbon post-filter / mineralizing post-filter to connect it to the system.</p> <p data-bbox="164 703 688 735">Open feed valve 5. Open tank valve 6.</p>
9.	<p data-bbox="164 833 1053 914">Once the tank is full (you will hear the water stop flowing), drain all water from the tank into the sink by opening faucet 3. When the water stops running, close the purified water faucet 3 so that the tank starts to re-fill. Depending on the pressure in your water mains, filling may take 1.5 to 3 hours. After the second tank re-fill, you can safely use the purified water.</p>



6.5 THE PROCEDURE FOR REPLACING UV LAMP

(UV lamp replacement should be performed by a qualified specialist)

Recommended life of the UV lamp is 9000 hours (approximately 1 year of continuous operation).

CAUTION!

Using UV lamp beyond the recommended service life is disapproved, since the intensity of UV radiation and its germicidal efficiency will be reduced.

It is strongly forbidden to turn on the UV lamp power when the lamp is not in metal housing, and to look at a glowing lamp. This can lead to eye damage and result in deterioration or loss of vision.

When replacing the UV lamp, it is advisable to clean the quartz sleeve. Do not use abrasive materials to clean the sleeve, as this may decrease transparency of the sleeve to UV radiation, thereby reducing the efficiency of disinfection. Be careful when removing the quartz sleeve from the housing to avoid damaging or scratching the sleeve.

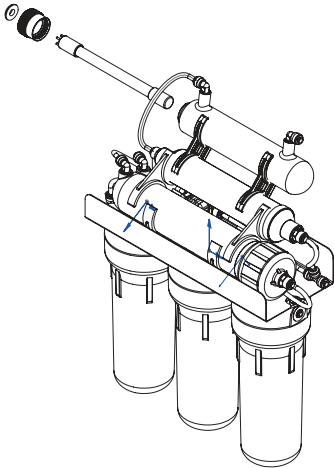
6. USAGE

ENG

Use care when removing sealing rings from the ends of the sleeve. The rings serve to protect the lamp and electrical connections from water leaks.

UV lamps should be handled with care and only held by the ceramic ends, because contaminating the quartz surface will reduce germicidal efficiency and shorten service life. Use cotton gloves while handling UV lamps.

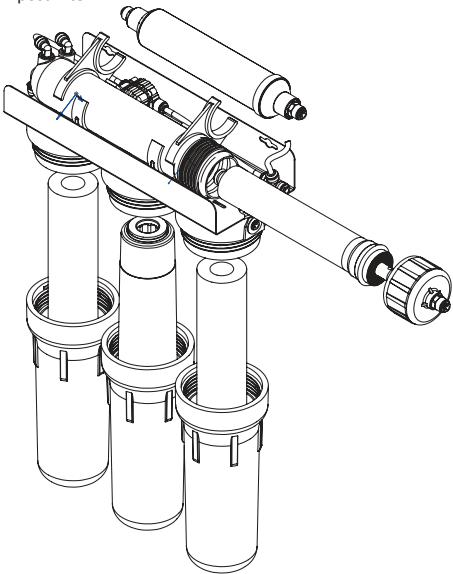
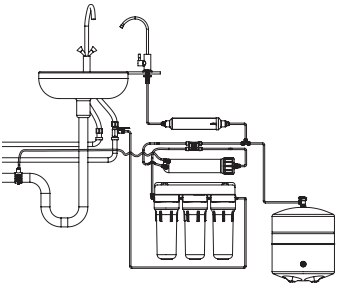
1.	Disconnect the UV lamp from the power supply.
2.	Shut off the feed valve 5 and tank valve 6 .
3.	Remove the black PVC end cap with wire hole.
4.	Remove the lamp from the quartz sleeve by pulling on its base. Do NOT touch the bulb!
5.	Disconnect the power connector holding the lamp by its base.
6.	Insert the new lamp half way into the quartz sleeve.
7.	Properly connect the power connector.
8.	Push the new lamp all the way into the housing and put the PVC cap on its end.
9.	Restore the water supply to the unit and check if tightness of quartz sleeve sealing has not been disrupted during lamp replacement.
10.	Plug UV lamp adapter in a socket and verify that the new UV lamp is functioning properly. This will be confirmed by continuous green LED light on the adapter.



7. SANITIZATION OF REVERSE OSMOSIS FILTER

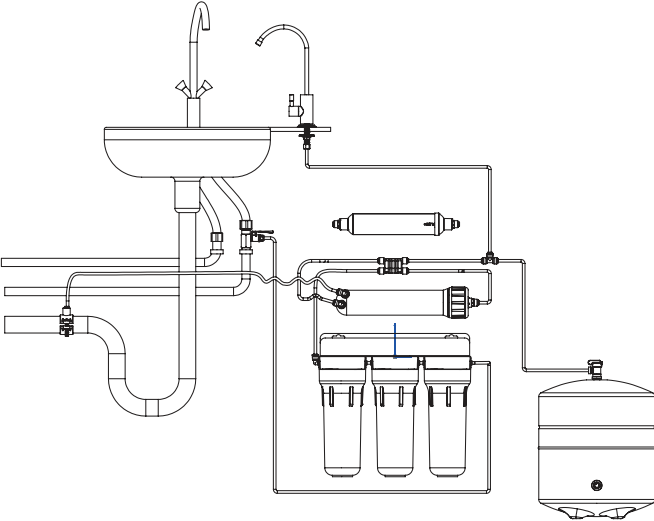
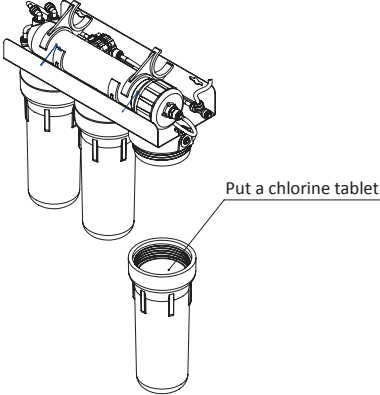
Sanitization of the reverse osmosis filter is recommended after it has been in use for an extended period (~ 6 months), and when the filter is not going to be used for 3 or more weeks at a time. It is also desirable to sanitize the system when replacing cartridges.

Using chlorine disinfectant tablets is recommended for reverse osmosis filter sanitization.

1.	Shut off feed valve 5 and tank valve 6 .
2.	Remove and discard the pre-filter cartridges and carbon post-filter. 
3.	Unscrew cap of membrane housing and remove membrane using needlenose pliers if necessary. Put the membrane into a tight bag and store in refrigerator at +2...+5°C.
4.	Screw back on 2 nd and 3 rd pre-filter sumps, screw on membrane housing cap, and connect the tube from the faucet directly to the union tee without carbon post-filter. 

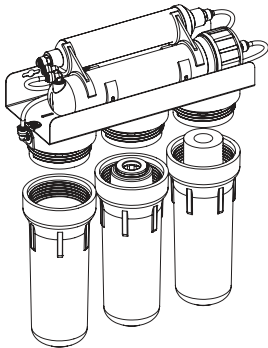
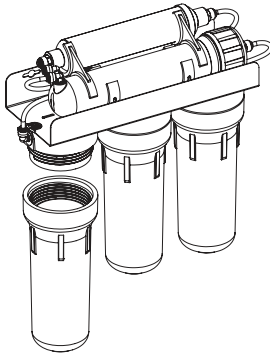
7. SANITIZATION OF REVERSE OSMOSIS FILTER

ENG

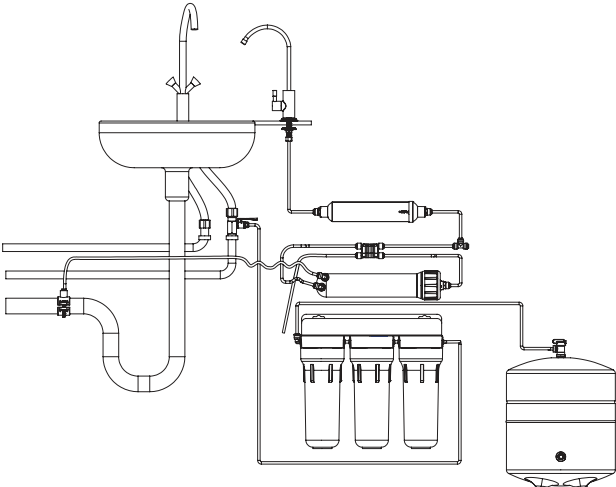
<p>4.</p>	
<p>5.</p>	<p>Put a chlorine tablet in the 1st sump. Fill the sump with water and screw on.</p> 
<p>6.</p>	<p>After 15 minutes, open the drinking water faucet 3 and feed valve 5.</p>
<p>7.</p>	<p>When water running from the faucet 3 starts to smell like chlorine, close both the faucet 3 and feed valve 5.</p>
<p>8.</p>	<p>Leave the system for 2-3 hours.</p>
<p>9.</p>	<p>Open faucet 3 and feed valve 5 and let water run until bleach odor is gone.</p>
<p>10.</p>	<p>Install all consumable parts back into the system. Open tank valve 6 and feed valve 5.</p>
<p>11.</p>	<p>Drain the tank and re-fill for at least two times (until chlorine odor cannot be smelt).</p>

7. SANITIZATION OF REVERSE OSMOSIS FILTER

7.1 SANITIZATION OF PRESSURE TANK

1.	Turn off feed valve 5 .
2.	Open the faucet 3 and empty the pressure tank in the drain.
3.	Shut tank valve 6 .
4.	<p>Extract pre-filter cartridges.</p> 
5.	<p>Install 2nd and 3rd sumps (by water flow direction) back on filter.</p> 

7. SANITIZATION OF REVERSE OSMOSIS FILTER

<p>6.</p>	<p>Disconnect the tube going to the storage tank from the union tee before the carbon post-filter, and into 3rd pre-filter's outlet.</p> 
<p>7.</p>	<p>Put a disinfection tablet in the 1st sump. Fill the sump with water and screw on.</p>
<p>8.</p>	<p>After 15 minutes, open tank valve 6.</p>
<p>9.</p>	<p>Open the feed valve 5 for 5 minutes.</p>
<p>10.</p>	<p>Close the tank valve 6 and leave the tank filled with chlorine solution for 1-2 hours.</p>
<p>11.</p>	<p>Open tank valve 6 and drain all water from the tank to the sink. Disconnect it from the third pre-filter and restore the original tubing of the system.</p>
<p>12.</p>	<p>Put cartridges in sumps and install the sumps on their heads. Then, open tank valve 6 and feed valve 6.</p>
<p>13.</p>	<p>Drain the tank and re-fill for at least three times (until chlorine odor cannot be smelt).</p>

8. TROUBLESHOOTING

PROBLEM	CAUSE	SOLUTION
Fitting leak	Tube is not joined tightly	Remove and rejoin the tube
Drain saddle leak	Drain saddle is not installed properly	Reinstall drain saddle as described in paragraph 4.2 in this manual
Pre-filter sump leak	O-ring seal is lacking or misaligned	Check that the O-ring seal is properly aligned in the groove inside sump
	Sump is not joined tightly	Tighten the sump till snug
Water runs too slowly from the faucet or slows down substantially a few seconds after the faucet is opened	Water supply pressure too low	This RO system requires at least 3 bar to function properly. If necessary, install a pressure booster pump or consult a plumber
	Pre-filter cartridges are clogged	Replace pre-filter cartridges
	Membrane is clogged	Measure permeate flowrate by closing tank valve 6 and opening faucet 3. Use a measuring cup to check if the time it takes to produce 1 L drinking water is as follows: – 8 minutes with 50 gpd membrane; – 5-6 minutes with 75 gpd membrane; – 4 minutes with 100 gpd membrane. If it took twice as long or more to produce 1 liter of water, the membrane may need to be replaced (refer to the store where you bought this product)
	A tube is kinked	Straighten the tube
	Pressure tank is deflated	Pressure in the empty tank should be 0,4-0,6 bar (6-9 psi). Charge the tank to the above pressure
High noise	Air in the auto shut off valve	The air will go away by itself with continued operation of the system
	Water supply pressure too high	Check your water supply pressure. If necessary, install a pressure regulator or refer to a plumber

8. TROUBLESHOOTING

Auto shut-off valve knocks	Pressure surges in water mains	Install a check valve on the main pipe in your kitchen or at the point of entry of your home's water supply. Refer to a plumber.
The system is always on (water is drained continuously)	Water supply pressure too low	This RO system requires at least 3 bar to function properly. If necessary, install a pressure booster pump or consult a plumber
	Pre-filter cartridges are clogged	Replace pre-filter cartridges
	Membrane is clogged	Measure flow of product water by closing the tank valve and opening the faucet. Measured flow rate should correspond to nominal membrane flow rate.
	Missing or misplaced flow restrictor	Flow restrictor must be installed in the tube running from membrane housing to drain. Flow restrictor must face membrane housing. If it faces drain saddle fitting, clean it and swap ends of the tube so that it is placed at the outlet of membrane housing. If flow restrictor was not installed, install one.
	Failure of auto shut-off valve	The RO system operating ceaselessly while the tank is full may be due to automatic shutoff valve failure. Contact the store where you bought this product if no other possible cause can be established
	Failure of check valve in the transition fitting installed at membrane housing permeate outlet	Pressure in the empty tank should be 0,4-0,6 bar (6-9 psi). Charge the tank to the above pressure if necessary
	Pressure tank is deflated	Open drinking water faucet and let some water out. It is normal for the system to stand idle when the pressure tank is full of water.
The system will not turn on (no water runs to sink drain)	Pressure tank is full	Open drinking water faucet and let some water out. It is normal for the system to stand idle when the pressure tank is full of water.
	Flow restrictor is clogged	Clean or replace flow restrictor
	Drain saddle fitting is not centered on drain pipe hole	Correctly position the drain saddle

8. TROUBLESHOOTING

<p>Drinking water has a milky or cloudy appearance that goes away after a few minutes</p>	<p>Air in the system</p>	<p>Some air in the system is normal for a few days after the system was installed. In some cases, air bubbles may appear due to supply water being significantly lower temperature than your home's ambient temperature</p>
<p>Water has a taste and/or odor</p>	<p>Carbon post-filter has expired</p>	<p>Replace the post-filter</p>
	<p>Preservative solution in the membrane has not been flushed out</p>	<p>Drain all the water from the tank and let the system re-fill it</p>
	<p>Contamination in reverse osmosis system</p>	<p>Sanitize the system per instructions in section 7</p>
	<p>Contamination in pressure tank</p>	<p>Replace the tank or sanitize per instructions in paragraph 7.1</p>
<p>Pressure tank holds too little water</p>	<p>Tank bladder is overpressurized</p>	<p>Pressure in empty tank should be 0,4-0,6 bar (6-9 psi). Make sure pressure in your tank is in line with the above figures</p>
<p>No water is dispensed from faucet albeit tank is full</p>	<p>Tank bladder is underpressurized</p>	<p>Pressure in empty tank should be 0,4-0,6 bar (6-9 psi). Make sure pressure in your tank is in line with the above figures</p>
	<p>Tank valve is closed</p>	<p>Open tank valve</p>

9. SERVICE RECORD

Manufacturer strongly recommends to keep record of your system's operation. Information recorded in this log will help specialists carry out maintenance or repair if needed. Also, this information can be requested by the manufacturer in case any malfunctions are encountered.

COMMISSIONING

Commissioning date, DD: MM: YY	
Main pressure	
Sanitization performed, YES / NO	
TANK FILL DURATION, HH: MM	
Recovery, %	
Recommendations	
Further information about installed equipment: name, date of installation (Example: pressure regulator, pump, POE water filter etc.)	
Seller's identity	
Installer's identity	

Installation works were completed. The product was tested and is fully functional. No claims as to product quality and/or installer's performance were encountered.

Owner _____ Signature / Name

Installer _____ Signature / Name

9. SERVICE RECORD

MAINTENANCE LOG

Type of job					
Consumables used for the job: product, date of manufacture, serial number (example: cartridges, membrane)					
Sanitization performed, YES / NO					
Tank fill duration, HH: MM					
Recovery, %					
Recommendations					
Date of maintenance, DD: MM: YY					
Servicing company name					
Installer's name					
Servicing company contact information					
Signature					

10. ENVIRONMENTAL AND HEALTH SAFETY

The product does not have any chemical, radiological, electrochemical impact on the environment. The product is not regarded as hazardous by their impact on the human body, meets requirements of relevant sanitary legislation for its intended scope of use.

ENG

11. PURCHASING

Desirably, the product should be purchased from authorized sales establishments. When buying, check integrity of packaging, absence of mechanical damage and other defects, contents of the system (without opening the plastic bags), availability of user documentation, particularly this manual and warranty card.

12. TRANSPORTATION AND STORAGE

Shipping of the product may take place by any means of transport (except unheated during cold seasons in colder climates) in accordance with the rules of transportation of goods, applicable to each type of transport. Observe handling labels when handling and shipping the product. Product should be stored indoors with protection from mechanical damage, impact of moisture and aggressive chemicals. Store this product in the manufacturer's original packaging at ambient temperatures ranging from 5 °C to 40 °C and relative humidity up to 80%, at least 1 m away from heating equipment.

13. WARRANTY

We thank you for purchasing a reverse osmosis product by Ecosoft Company.

We hope that this product will serve you long and let you and your family enjoy high quality pure drinking water. The manufacturer guarantees that the water purification system does not contain workmanship defects and no such defects will arise within warranty period from the date of purchase from store provided that the technical requirements and operating conditions specified in this manual are strictly adhered to.

To avoid misunderstanding, we urge you to carefully read the instructions on installation and operation of the reverse osmosis system, warranty conditions liabilities, check correctness of the warranty card, presence of proof of purchase (receipt, invoice, or bill). Warranty card is valid only if model, date of purchase, and stamp of selling establishment are correctly specified. For proper installation details please read instructions on how to install and use or seek help from a qualified professional.

The manufacturer is not liable for any damage to property or some other damage, including lost profits, which arose by chance or due to use or inability to use this product. Manufacturer's liability in accordance with this warranty is limited to the cost of the filter.

The warranty does not cover:

- replaceable elements (cartridges, reverse osmosis membrane, carbon post-filter, mineralizing post-filter or other consumables included in the package);
- electrical equipment in ungrounded electrical systems or lack of voltage regulator where it is required;
- components that require replacement because of normal wear and tear;
- faults and problems that have arisen due to untimely replacement of consumable elements where there intervals are provided in this manual, and also due to use of other manufacturers' consumables.

All claims related to taste, smell, and other quality indicators of water purified by this system should only be filed with a water test report issued by an accredited laboratory.

Cases not covered under this warranty shall be resolved in accordance with local legislation.

NOTES

ENG

NOTES

INHALT

1	WOZU IST DIESES PRODUKT?	46
2	SPEZIFIKATION UND ELEMENTE	48
2.1	BEZEICHNUNG DER MODELLE	48
2.2	SPEZIFIKATION UND ANFORDERUNGEN	49
2.3	ANFORDERUNGEN AN DIE WASSERQUALITÄT	49
2.4	ELEMENTE DES UMKEHROSMOSE-SYSTEMS	50
3	ANSCHLUSSPLÄNE	52
3.1	ANSCHLUSSPLAN FÜR BASIS-MODELL	52
3.2	ANSCHLUSSPLAN FÜR MODELL MIT MINERAL-NACHFILTER	53
3.3	ANSCHLUSSPLAN FÜR MODELL MIT ULTRAVIOLETT-LAMPE	54
3.4	ANSCHLUSSPLAN FÜR MODELL MIT DRUCKVERSTÄRKERPUMPE	55
3.5	ANSCHLUSSPLAN FÜR MODELL MIT DRUCKVERSTÄRKERPUMPE UND MINERAL-NACHFILTER	56
3.6A	ANSCHLUSSPLAN FÜR MODELL MIT ULTRAVIOLETT-LAMPE UND MINERAL-NACHFILTER MIT EINZEL-HAHN	57
3.6B	ANSCHLUSSPLAN FÜR MODELL MIT ULTRAVIOLETT-LAMPE UND MINERAL-NACHFILTER MIT DOPPEL-HAHN	58
3.7	ANSCHLUSSPLAN FÜR MODELL MIT DRUCKVERSTÄRKER UND ULTRAVIOLETT-LAMPE	59
3.8A	ANSCHLUSSPLAN FÜR MODELL MIT DRUCKVERSTÄRKER, ULTRAVIOLETT-LAMPE UND MINERAL-NACHFILTER MIT EINZEL-DRUCKHAHN	60
3.8B	ANSCHLUSSPLAN FÜR MODELL MIT DRUCKVERSTÄRKER, ULTRAVIOLETT-LAMPE UND MINERAL-NACHFILTER MIT DOPPEL-DRUCKHAHN	61
4	SCHRITTE ZUM EINBAU DES UMKEHROSMOSE-SYSTEMS	62
4.1	ÜBERPRÜFEN SIE DIE VOLLSTÄNDIGKEIT IHRES SETS	62
4.2	EINBAU	62
5	SCHRITTE NACH DEM EINBAU	66
6	BENUTZUNG	66
6.1	FITERTEILE UND EMPFEHLUNGEN ZUR ZEIT DEREN AUSTAUSCH	67
6.2	SCHRITTE ZUM AUSTAUSCH DER VORFILTER-KASSETTEN	67
6.3	SCHRITTE ZUM AUSTAUSCH DER MEMBRANE	69
6.4	SCHRITTE ZUM AUSTAUSCH DES KARBON-VORFILTERS BZW. DES MINERAL-NACHFILTER	70
6.5	SCHRITTE ZUM AUSTAUSCH DER UV-LAMPE	70
7	REINIGUNG DES UMKEHROSMOSE-SYSTEMS	72
7.1	REINIGUNG DES DRUCKBEHÄLTERS	74
8	FEHLERBEHEBUNG	76
9	EINTRAGUNG DER LEISTUNGEN	79
10	UMWELT UND GESUNDHEITSSCHUTZ	81
11	ERWERB	81
12	LIEFERUNG UND AUFBEWAHRUNG	81
13	GARANTIE	82

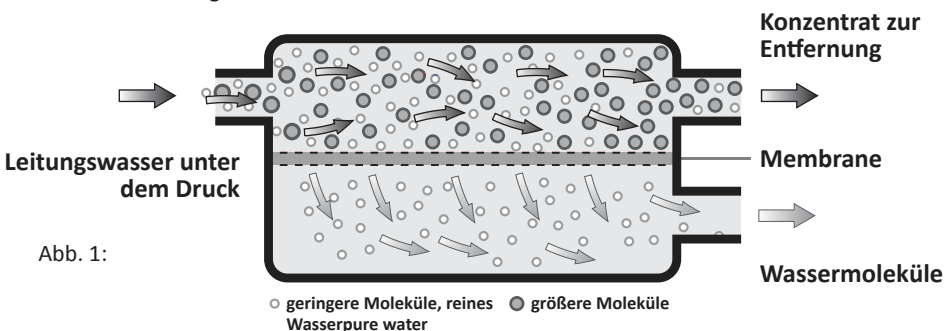
1. WOFÜR IST DIESES PRODUKT?

Innerhalb der Membrane wird das Wasser in zwei Strömungen aufgeteilt: Konzentrate, die in Abflusssystem übergehen, und Filtrate, die in den Behälter 2 zur weiteren Aufbewahrung übergehen. Der Behälter ist an den Ausgang über das automatisch zu blockierende Ventil angeschlossen und kontrolliert das Ventil, eingebaut in den Übergangsanschluss, der im Filtrat-Ausgang der Membrane- Umhausung installiert ist. Nach dem automatisch zu blockierenden Ventil ist die Abflusseinheit eingebaut, über die der Behälter an die Filtereinheit mittels des gelben Schlauchs angeschlossen ist. An der Spitze des Behälters ist der Behälter 6 installiert.

Der Druckbehälter im System lagert das gereinigte Wasser. Ohne diesen Behälter wäre die Umkehrosmose-Membrane nicht im Zustand, für die direkte Wasserversorgung einen geeigneten Strom zu produzieren. Z.B., hat der Filter eine eingebaute Membrane mit Leistung von 50 GPD (7.9 L / St.), so braucht das Wasserglas von 200 ml zum Anfüllen mehr als 1,5 Min. Auf solche Weise wird vom System das gereinigte Wasser gelagert und beim Bedarf zum Verbraucher geliefert. Danach generiert es die Wasserversorgung. Die zum Anfüllen eines leeren Behälters notwendige Zeit beträgt von 1.5 bis 3 Stunden. Nachdem der Behälter angefüllt wurde, schaltet das automatisch zu blockierende Ventil die Wasserversorgung von den Vorfilter-Systemen ab und das System wird ausgeschaltet.

Nachdem der Hahn für gereinigtes Wasser 3 aufgemacht wird, nimmt der Wasserdruck im Behälter ab. Das automatisch zu blockierende Ventil leitet das Wasser automatisch über die Vorfilter-Kassetten an die Membrane, um den Druckbehälter erneut anzufüllen. Das Wasser mit Feststoffen (Konzentrate) fließt über den Konzentratausgang ab, der mit einem schwarzen Schlauch an den im Abflussrohr eingebauten Abfluss 8 angeschlossen ist. Um den zum Erhalt des Arbeitsrucks in der Umhausung von Membrane notwendigen Gegendruck zu schaffen, wird im schwarzen Schlauch die Durchflussdrossel 14 eingebaut. Die Durchflussdrossel stellt eine Kunststoffstelle mit einer entsprechenden Bohrungskapillare dar. Die Durchflussdrossel ist am Ende des schwarzen Schlauchs platziert, der ins Membrane-Konzentrat eingebaut wird.

Wird der Hahn ausgeschaltet, so fließt das gereinigte Wasser aus dem Druckbehälter über den Anschluss zur fünften Reinigungsstufe: Karbon – Nachfilter, eingebaut für die abschließende Wasserreinigung. Dabei wird das hochqualitative aktivierte Karbon benutzt, produziert aus der Kokosnuß-Schale. Dieses Filter verbessert und verfeinert den Geruch des gereinigten Wassers. Der Karbon-Nachfilter ist mit dem blauen Schlauch an den am Abfluss oder Zähler eingebauten Hahn für das Trinkwasser 3 angeschlossen.



1. WOFÜR IST DIESES PRODUKT?

Innerhalb der Membrane wird das Wasser in zwei Strömungen aufgeteilt: Konzentrate, die in Abflusssystem übergehen, und Filtrate, die in den Behälter 2 zur weiteren Aufbewahrung übergehen. Der Behälter ist an den Ausgang über das automatisch zu blockierende Ventil angeschlossen und kontrolliert das Ventil, eingebaut in den Übergangsanschluss, der im Filtrat-Ausgang der Membrane-Umhäusung installiert ist. Nach dem automatisch zu blockierenden Ventil ist die Abflusseinheit eingebaut, über die der Behälter an die Filtereinheit mittels des gelben Schlauchs angeschlossen ist. An der Spitze des Behälters ist der Behälter 6 installiert.

Der Druckbehälter im System lagert das gereinigte Wasser. Ohne diesen Behälter wäre die Umkehrosmose-Membrane nicht im Zustand, für die direkte Wasserversorgung einen geeigneten Strom zu produzieren. Z.B., hat der Filter eine eingebaute Membrane mit Leistung von 50 GPD (7.9 L / St.), so braucht das Wasserglas von 200 ml zum Anfüllen mehr als 1,5 Min. Auf solche Weise wird vom System das gereinigte Wasser gelagert und beim Bedarf zum Verbraucher geliefert. Danach generiert es die Wasserversorgung. Die zum Anfüllen eines leeren Behälters notwendige Zeit beträgt von 1.5 bis 3 Stunden. Nachdem der Behälter angefüllt wurde, schaltet das automatisch zu blockierende Ventil die Wasserversorgung von den Vorfilter-Systemen ab und das System wird ausgeschaltet.

Nachdem der Hahn für gereinigtes Wasser 3 aufgemacht wird, nimmt der Wasserdruck im Behälter ab. Das automatisch zu blockierende Ventil leitet das Wasser automatisch über die Vorfilter-Kassetten an die Membrane, um den Druckbehälter erneut anzufüllen. Das Wasser mit Feststoffen (Konzentrate) fließt über den Konzentratausgang ab, der mit einem schwarzen Schlauch an den im Abflussrohr eingebauten Abfluss 8 angeschlossen ist. Um den zum Erhalt des Arbeitsrucks in der Umhäusung von Membrane notwendigen Gegendruck zu schaffen, wird im schwarzen Schlauch die Durchflusssdrossel 14 eingebaut. Die Durchflusssdrossel stellt eine Kunststoffstelle mit einer entsprechenden Bohrungskapillare dar. Die Durchflusssdrossel ist am Ende des schwarzen Schlauchs plaziert, der ins Membrane-Konzentrat eingebaut wird.

Wird der Hahn ausgeschaltet, so fließt das gereinigte Wasser aus dem Druckbehälter über den Anschluss zur fünften Reinigungsstufe: Karbon – Nachfilter, eingebaut für die abschließende Wasserreinigung. Dabei wird das hochqualitative aktivierte Karbon benutzt, produziert aus der Kokosnuß-Schale. Dieses Filter verbessert und verfeinert den Geruch des gereinigten Wassers. Der Karbon-Nachfilter ist mit dem blauen Schlauch an den am Abfluss oder Zähler eingebauten Hahn für das Trinkwasser 3 angeschlossen.

2. SPEZIFIKATION UND ELEMENTE

2.1. BEZEICHNUNGEN DER MODELLE

Modelle

MO 5-36(50,75,100)
MO 5-36 (50,75,100)P
MO 6-36 (50,75,100)M
MO 6-36 (50,75,100)MP
MO 6-36 (50,75,100)UV
MO 6-36 (50,75,100)UVP
MO 7-36 (50, 75, 100)
MO 7-36(50,75,100)MUVP

Modell Ihres Systems



- 1** — Filtertyp. RO bedeutet Umkehrosmose
- 2** — Zahl der Stufen.
- 3** — Leistung der Membrane von Umkehrosmose-System in GPD (*gallons per day – Gallone pro Tag)

36 GPD	136 L/pro Tag	5.6 L/pro St.
50 GPD	190 L/pro Tag	7.9 L/pro St.
75 GPD	280 L/pro Tag	11.6 L/pro St.
100 GPD	380 L/pro Tag	15.8 L/pro St.

*Die Leistungsfähigkeit der Umkehrosmose schwenkt und hängt von einigen Faktoren ab. Diese schließen die Wasserqualität, Umhausung von Vorfilter-Kassetten und von Membrane, Druck der Wasserleitung und Temperatur ein.

4 — Legende der zusätzlichen Ausrüstung (die Basismodelle ohne zusätzliche Ausrüstung beinhalten in der Bezeichnung keine Buchstaben)

M	Der Filter ist mit einem Mineral-Nachfilter ausgestattet.
P	Der Filter ist mit einer Druckverstärkerpumpe ausgestattet.
UV	Der Filter ist mit einem UV-Desinfektionssystem ausgestattet.

Zum Beispiel: Ecosoft MO775MUVP bedeutet Umkehrosmose-System mit 7 Stufen, ausgestattet mit einer Membrane mit Leistung von 75 GPD (11,6 L/Tag), Mineral-Nachfilter, UV-Lampe und Verstärkerpumpe.

ACHTUNG!

Der Filter soll von einem qualifizierten und geschulten Personal eingebaut werden. Das Produkt kann nur mit der kalten Wasserleitung genutzt werden!

2. SPEZIFIKATION UND ELEMENTE

2.2. SPEZIFIKATIONEN UND ANFORDERUNGEN

	Daten	Werte
1	Hauptdruck (ohne Druckverstärker), Bar	3-6*
2	Hauptdruck (Druckverstärker eingebaut), Bar	2-4,5
3	Behälterdruck, Bar	0,4 – 0,6**
4	Speisewassertemperatur, °C	
5	Systemgewicht (Basismodell), kg	
6	Umgebungstemperatur, °C	
7	Wasserversorgungsverbindung	½ " Gewinde
8	Filtergrößen, H x B x T (Basisaufbau), mm	350x450x150
9	Behältergrößen, H x B x T, mm	350x260x260

*Ist der Wasserversorgungsdruck geringer als erfordert, erwerben Sie ein Modell mit der Pumpe oder bringen Sie Ihren Filter in den geforderten Zustand mittels einer Pumpe. Überschreitet der Druck im Wassersystem den Grenzwert, soll am Haptrrohr der Druckregler eingebaut werden.

** Entspricht der Behälterdruck nicht dem Grenzwert, soll der Druck erhöht bzw. vermindert werden, bis dieser den Anforderungen entspricht.

***Überschreitet die Temperatur den Bereich von +20...+30°C, wird das Volumen der abzufließenden Flüssigkeit vermindert. Das System funktioniert dabei mit einer gesteigerten Leistung und erhöht die TDS (*Total Dissolver Solids, Gesamtbetrag der gelösten Körper). Es wird abgeraten, dieses Produkt bei der Wassertemperatur über 30°C zu benutzen.

2.3. ANFORDERUNGEN AN DIE WASSERQUALITÄT

	Daten	WERTE**
1	pH	6,5-8,5
2	TDS	<1500 ppm
3	Härte	<500 ppm CaCO ₃ (<28°dH)
4	Freies Chlor	<0.5 ppm
5	Eisen	<0.3 ppm
6	Mangan	<0.1 ppm
7	Chemischer Sauerstoffbedarf	<5 ppm O ₂
8	Gesamte Bakterienzahl (TBC, total bacterial count)	<50 CFU/mL
9	E. coli titer	<3

*Entspricht das Wasser den gestellten Anforderungen nicht, kann die Lebensdauer der Membrane bzw. der Vorfilter-Kassette gekürzt werden.

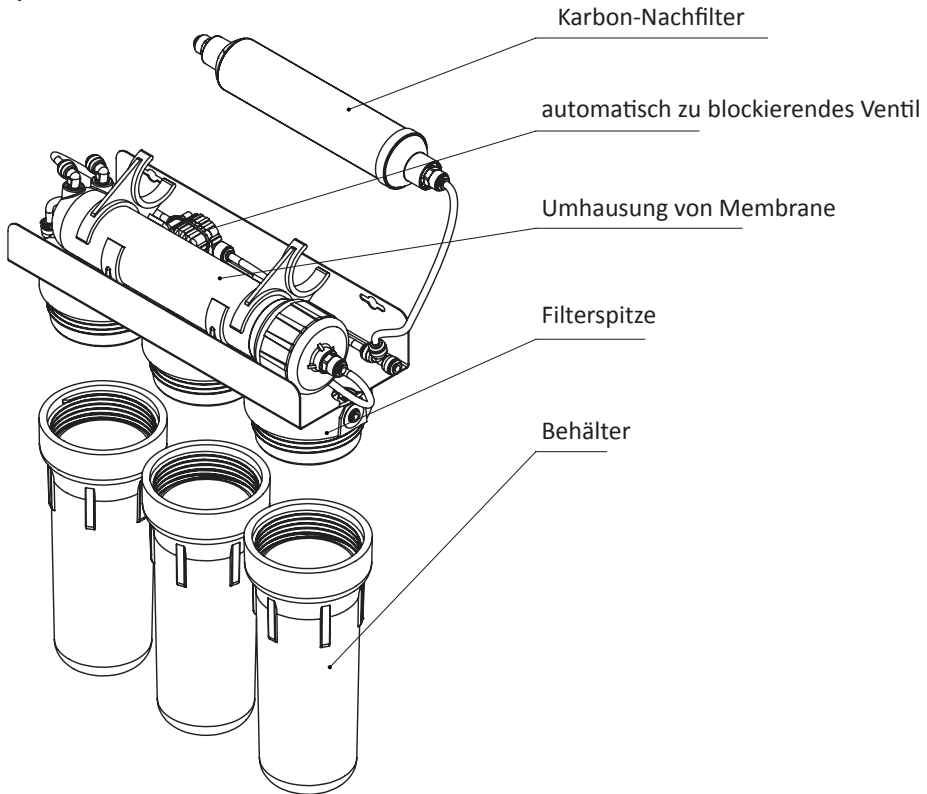
**Haben Sie bei sich zu Hause die Wasserversorgung aus dem Brunnen, so ist Ihr Wasser vor dem Einbau des Umkehrosmose-Systems durch Labors zu überprüfen. Wenden Sie sich bitte dafür an Spezialisten aus dem Bereich der Wasserbehandlung bzw. an Firmen um den Rat bei der Auswahl der entsprechenden Ausrüstung an.

2. SPEZIFIKATION UND ELEMENTE

2.4. ELEMENTE DES UMKEHROSMOSE-SYSTEM

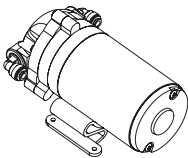
Der Hersteller behält sich das Recht vor, das Produktdesign zu modifizieren, unter Bedingung, dass diese Modifikation die für den Verbraucher wichtigen Merkmale nicht beschädigt.

1) Filtereinheit

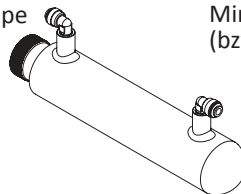


Optionen:

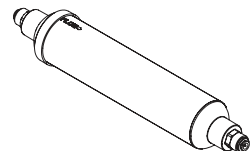
Druckverstärkerpumpe



UV-Lampe



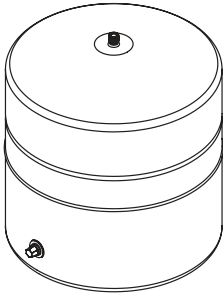
Mineral Nach-Filter
(bzw. ein anderer Typ des Nach-Filters)



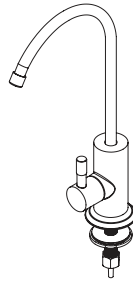
2. SPEZIFIKATION UND ELEMENTE

DE

2) Druckbehälter



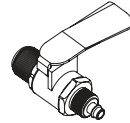
3) Hahn für Trinkwasser



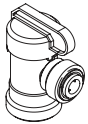
4) Wasserspeise-Anschluss



5) Speiseventil



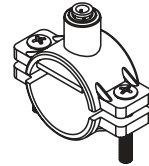
6) Behälterventil



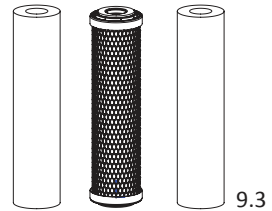
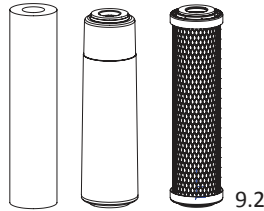
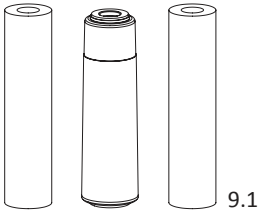
7) Set der farbigen Schläuche



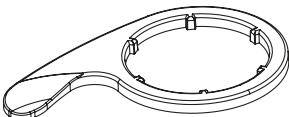
8) Abfluss



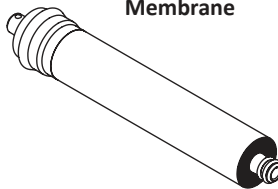
9) Set der Vorfilter-Kassetten (unterscheidet sich je nach dem Modell)



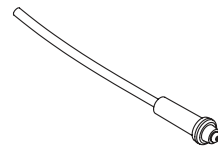
10) Abfluss-Schlüssel



11) Umkehrosmose-Membrane



12) Durchflussdrossel (umgewickelt im schwarzen Schlauch)

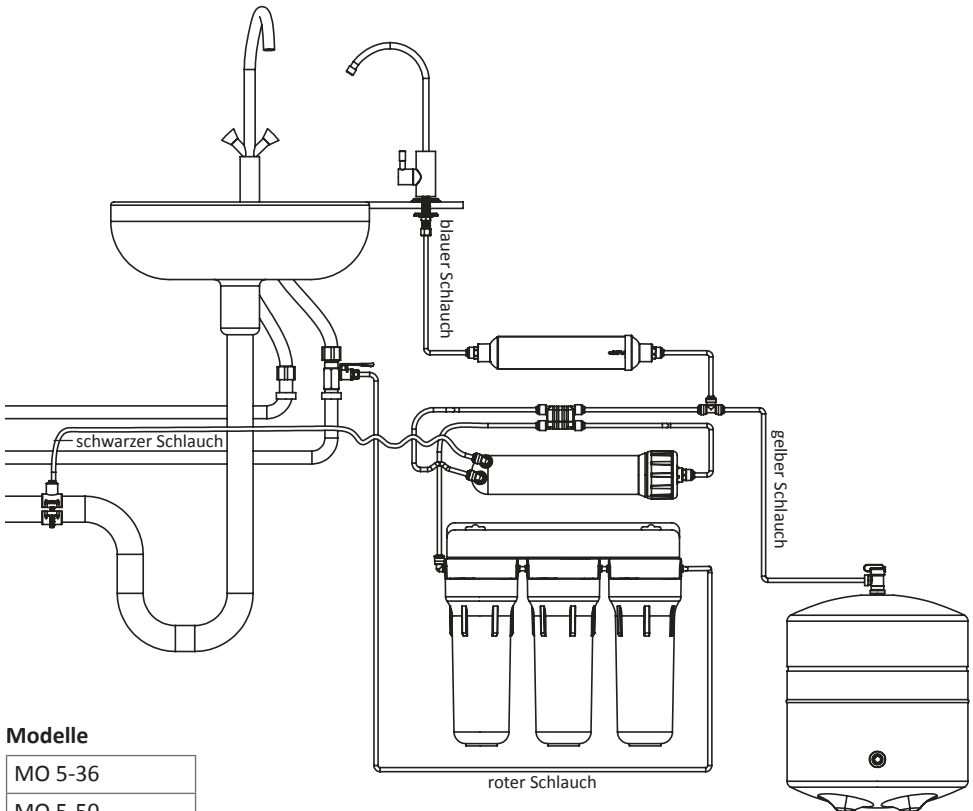


13) Sperre-Klammer: Der Zubehör sorgt für eine sichere Verbindung und schützt gegen Verbindungsabbrüche an besonders gefährlichen Stellen. Die Klammer wirkt nicht auf die Festigkeit der Verbindung. Die Qualität der Klammern in Ihrem Umkehrosmose-System kann sich je nach dem Design des Produkts unterscheiden und hat keine Auswirkung auf dessen Leistungsfähigkeit.



3. ANSCHLUSSPLÄNE

3.1. ANSCHLUSSPLAN FÜR BASIS-MODELL



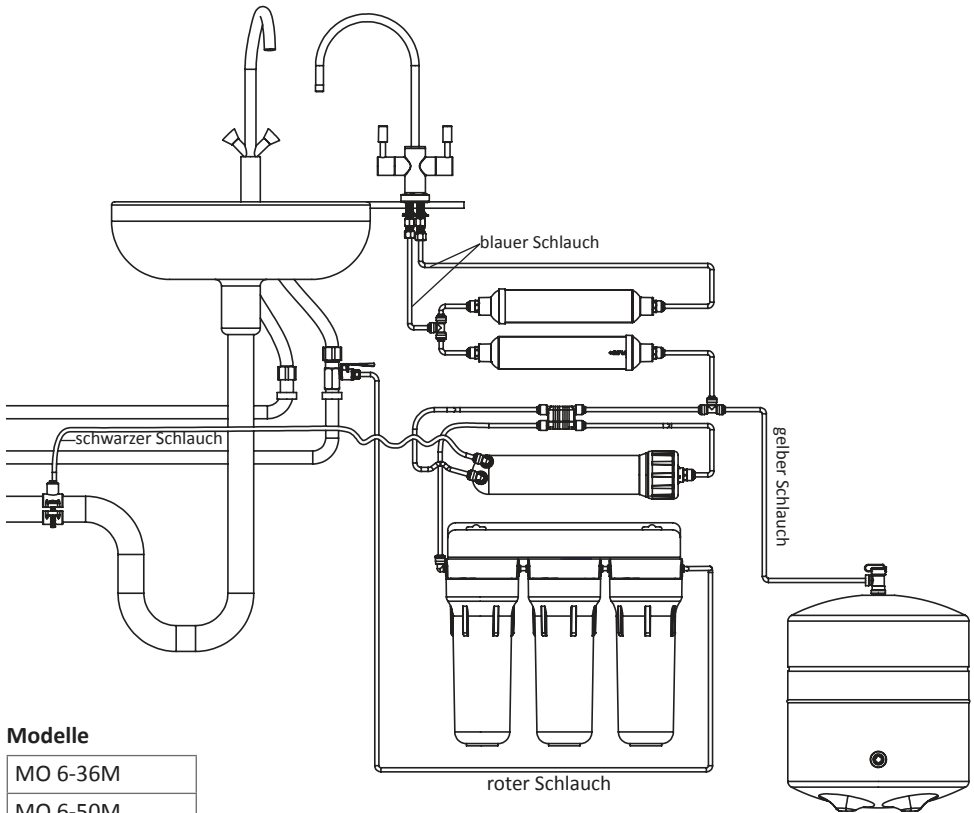
Modelle

MO 5-36
MO 5-50
MO 5-75
MO 5-100

Der Hersteller behält sich das Recht vor, das Produktdesign zu modifizieren, unter Bedingung, dass diese Modifikation die für den Verbraucher wichtigen Merkmale nicht beschädigt.

3. ANSCHLUSSPLÄNE

3.2. ANSCHLUSSPLAN FÜR MODELL MIT MINERAL-NACHFILTER



Modelle

MO 6-36M

MO 6-50M

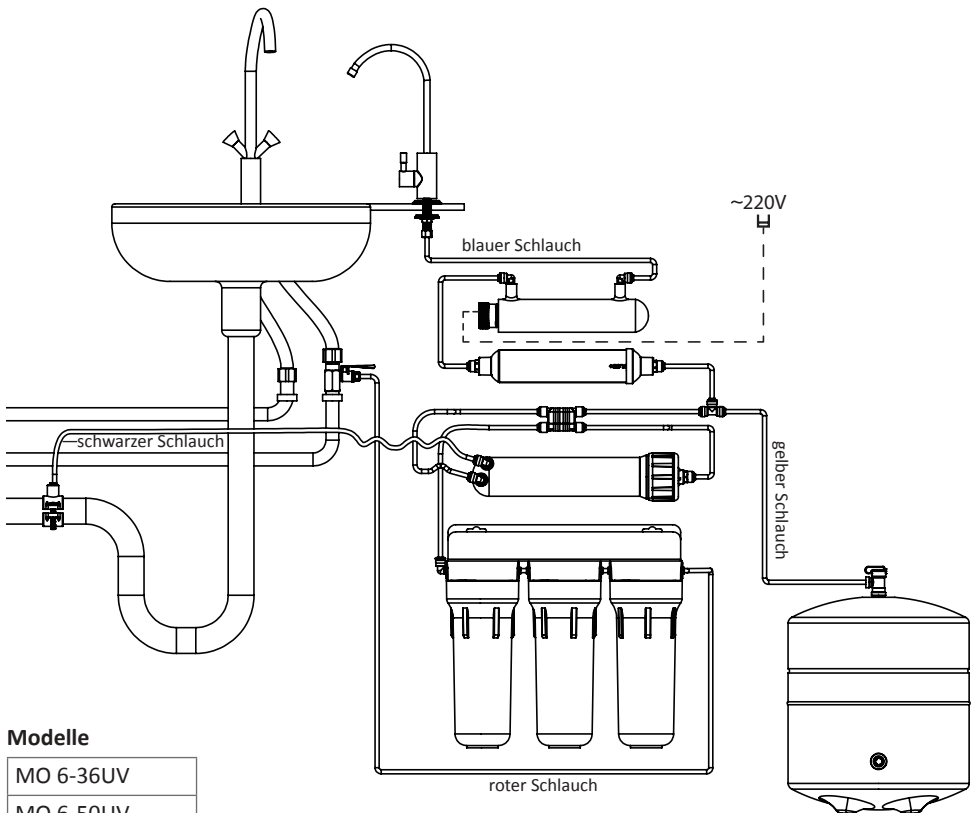
MO 6-75M

MO 6-100M

Der Hersteller behält sich das Recht vor, das Produktdesign zu modifizieren, unter Bedingung, dass diese Modifikation die für den Verbraucher wichtigen Merkmale nicht beschädigt.

3. ANSCHLUSSPLÄNE

3.3. ANSCHLUSSPLAN FÜR MODELL MIT ULTRAVIOLETT-LAMPE



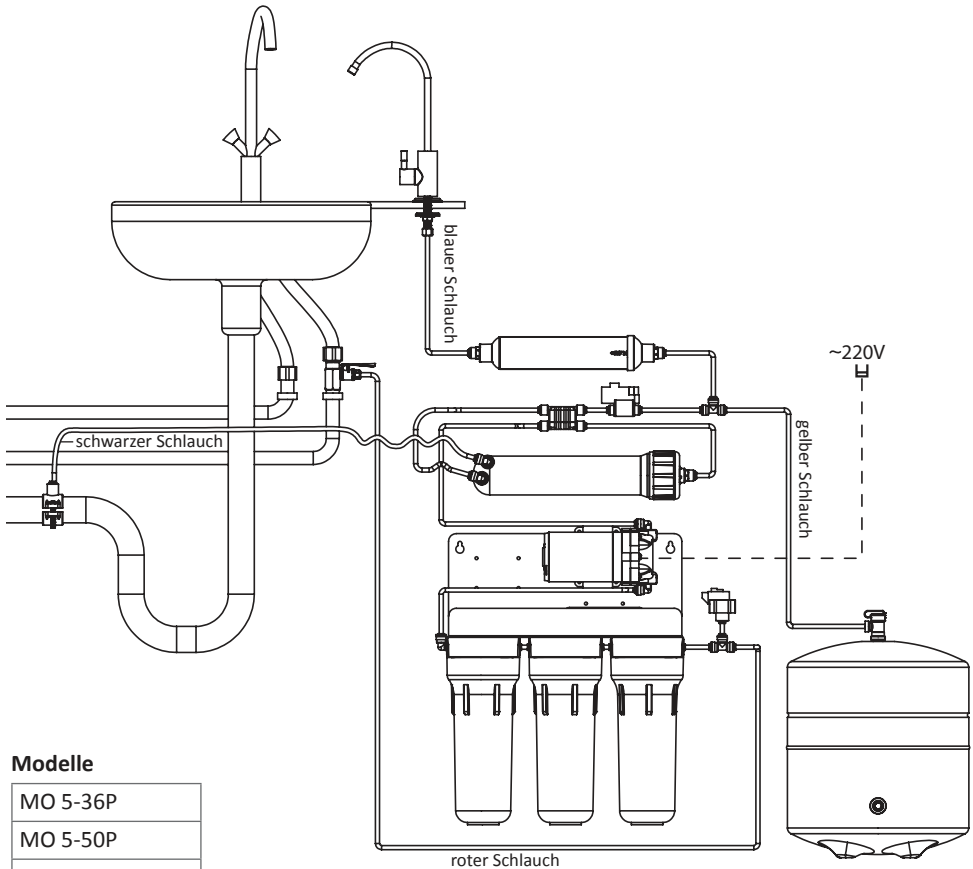
Modelle

MO 6-36UV
MO 6-50UV
MO 6-75UV
MO 6-100UV

Der Hersteller behält sich das Recht vor, das Produktdesign zu modifizieren, unter Bedingung, dass diese Modifikation die für den Verbraucher wichtigen Merkmale nicht beschädigt.

3. ANSCHLUSSPLÄNE

3.4. ANSCHLUSSPLAN FÜR MODELL MIT DRUCKVERSTÄRKERPUMPE



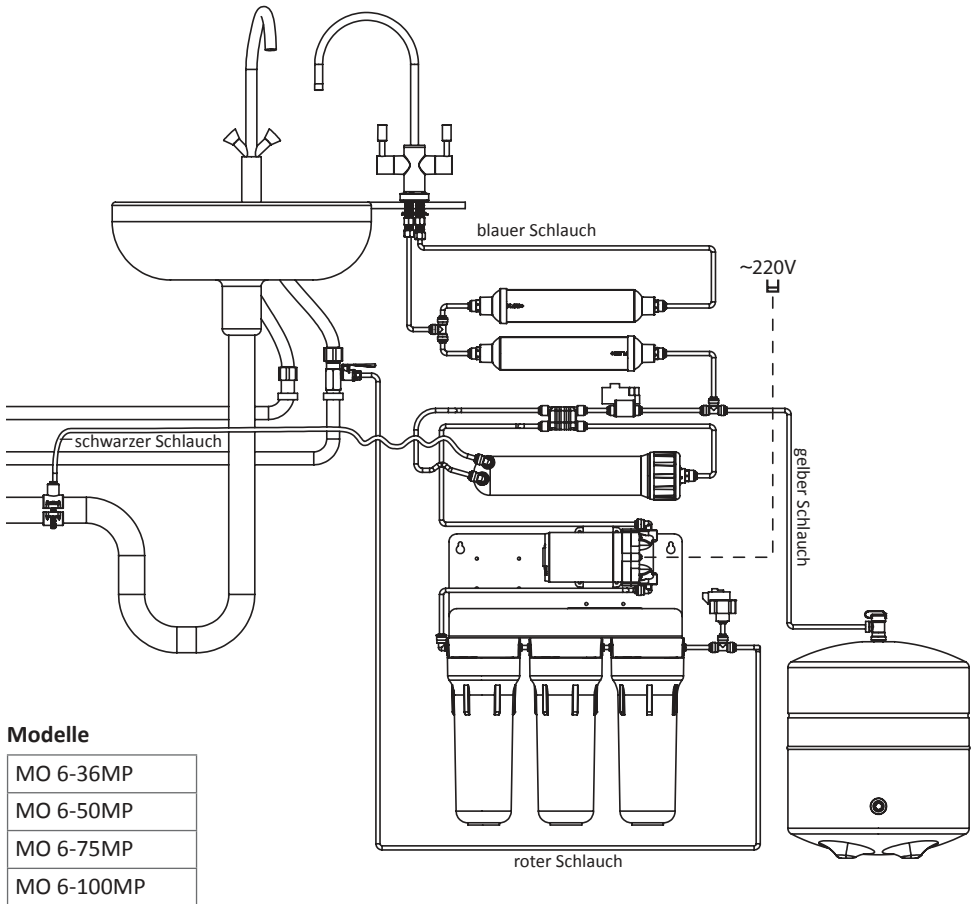
Modelle

MO 5-36P
MO 5-50P
MO 5-75P
MO 5-100P

Der Hersteller behält sich das Recht vor, das Produktdesign zu modifizieren, unter Bedingung, dass diese Modifikation die für den Verbraucher wichtigen Merkmale nicht beschädigt.

3. ANSCHLUSSPLÄNE

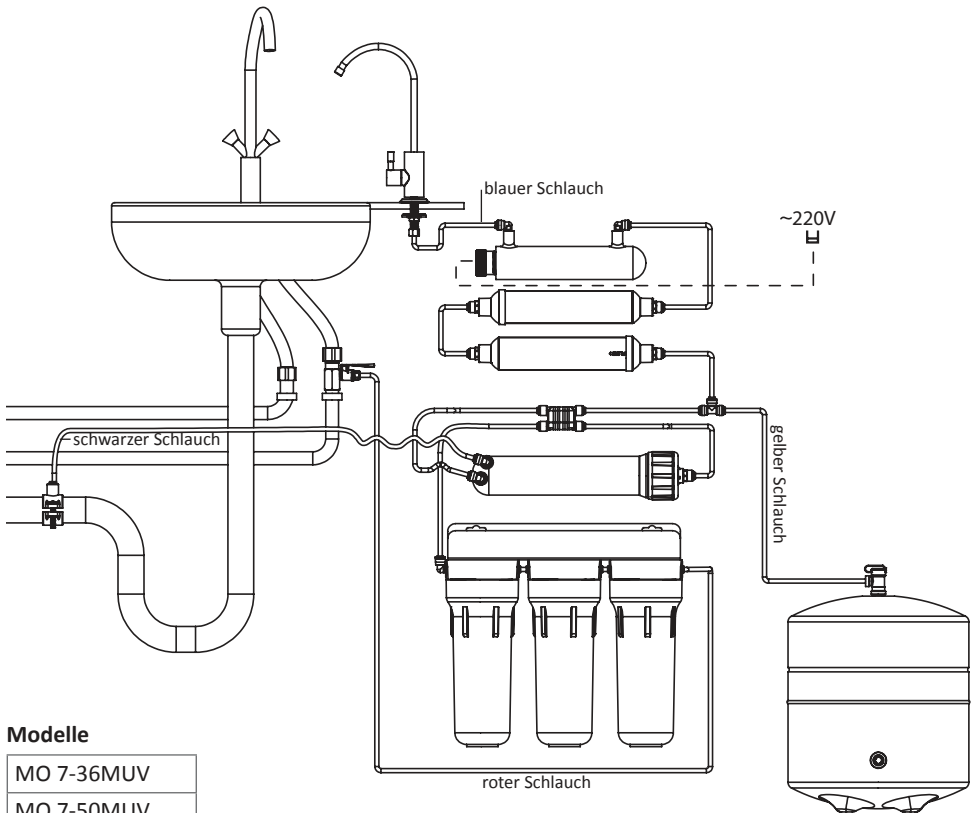
3.5. ANSCHLUSSPLAN FÜR MODELL MIT DRUCKVERSTÄRKERPUMPE UND MINERAL-NACHFILTER



Der Hersteller behält sich das Recht vor, das Produktdesign zu modifizieren, unter Bedingung, dass diese Modifikation die für den Verbraucher wichtigen Merkmale nicht beschädigt.

3. ANSCHLUSSPLÄNE

3.6A. ANSCHLUSSPLAN FÜR MODELL MIT ULTRAVIOLETT-LAMPE UND MINERAL-NACHFILTER MIT EINZEL-HAHN



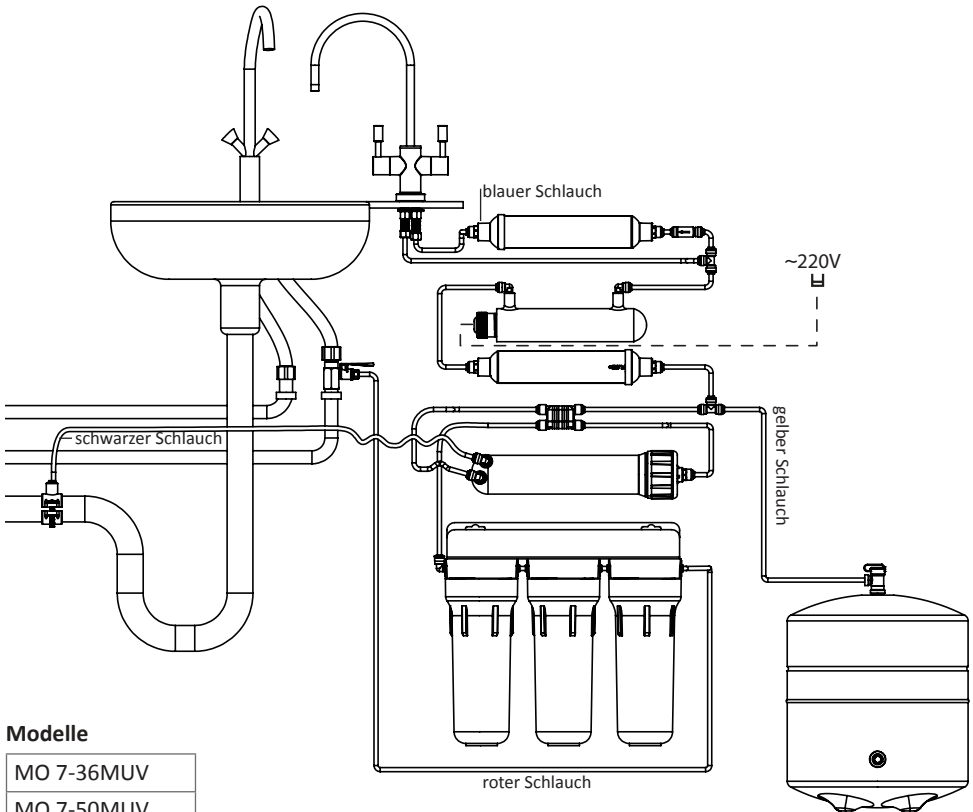
Modelle

MO 7-36MUV
MO 7-50MUV
MO 7-75MUV
MO 7-100MUV

Der Hersteller behält sich das Recht vor, das Produktdesign zu modifizieren, unter Bedingung, dass diese Modifikation die für den Verbraucher wichtigen Merkmale nicht beschädigt.

3. ANSCHLUSSPLÄNE

3.6B. ANSCHLUSSPLAN FÜR MODELL MIT ULTRAVIOLETT-LAMPE UND MINERAL-NACHFILTER MIT DOPPEL-HAHN



Modelle

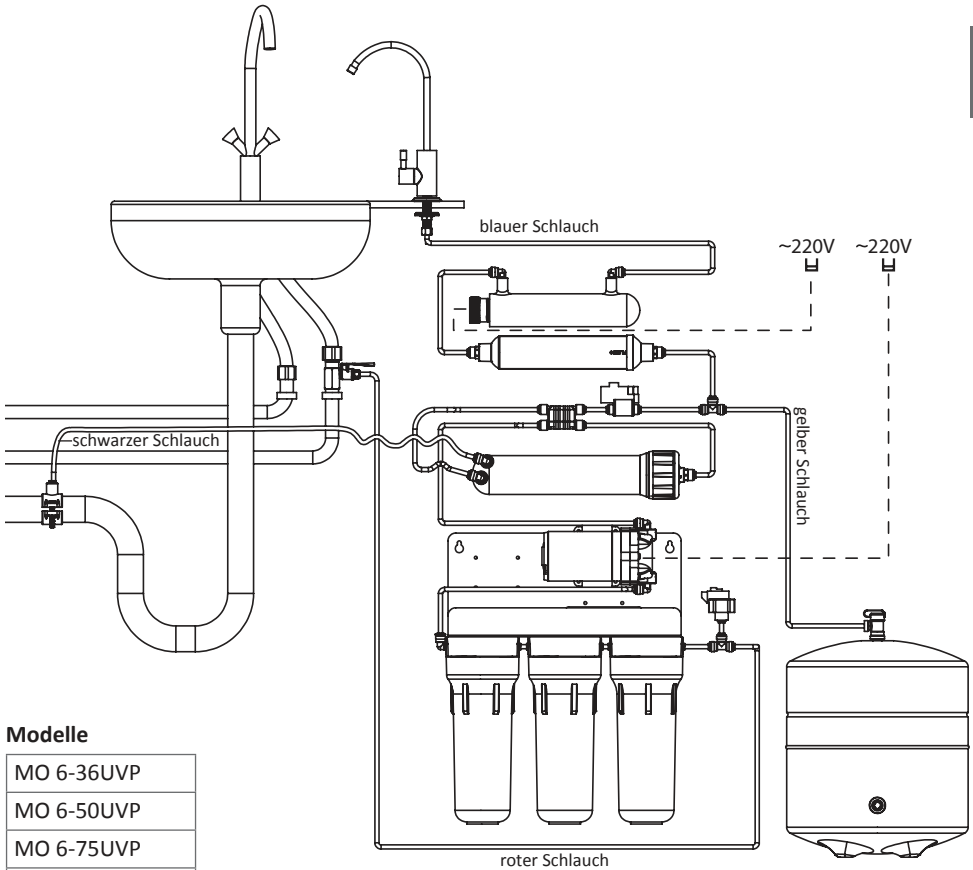
MO 7-36MUV
MO 7-50MUV
MO 7-75MUV
MO 7-100MUV

Der Hersteller behält sich das Recht vor, das Produktdesign zu modifizieren, unter Bedingung, dass diese Modifikation die für den Verbraucher wichtigen Merkmale nicht beschädigt.

3. ANSCHLUSSPLÄNE

3.7. ANSCHLUSSPLAN FÜR MODELL MIT DRUCKVERSTÄRKER UND ULTRAVIOLETT-LAMPE

DE



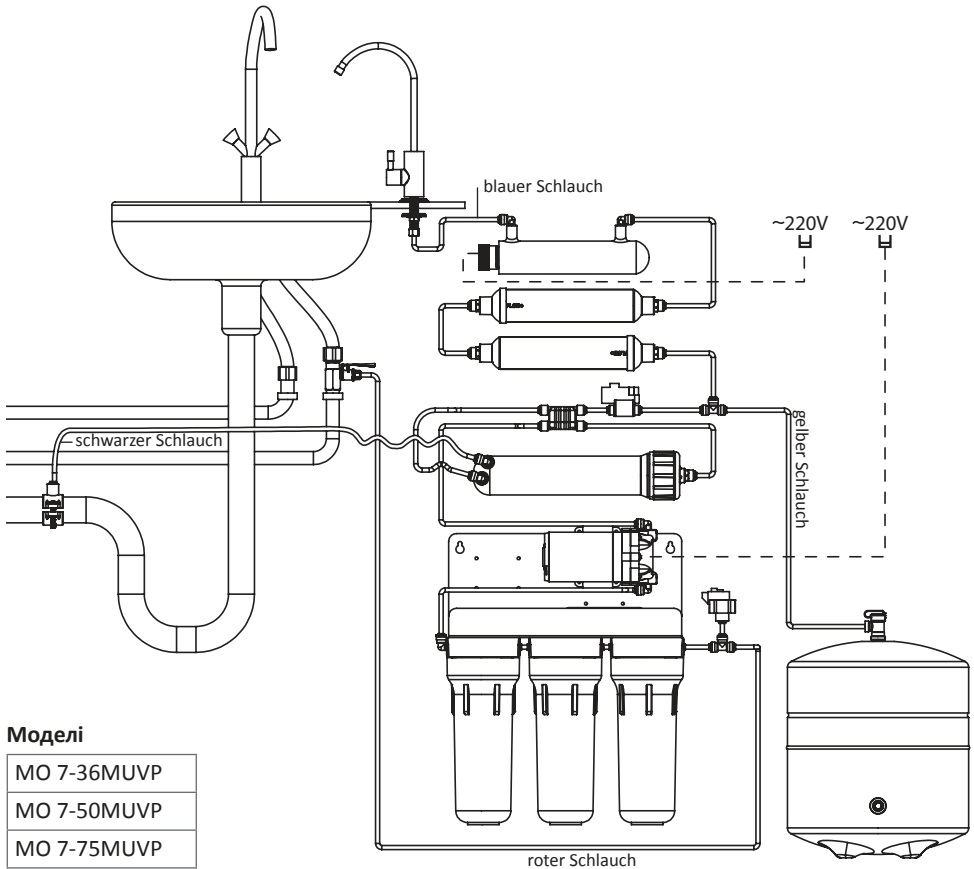
Modelle

MO 6-36UVP
MO 6-50UVP
MO 6-75UVP
MO 6-100UVP

Der Hersteller behält sich das Recht vor, das Produktdesign zu modifizieren, unter Bedingung, dass diese Modifikation die für den Verbraucher wichtigen Merkmale nicht beschädigt.

3. ANSCHLUSSPLÄNE

3.8A. ANSCHLUSSPLAN FÜR MODELL MIT DRUCKVERSTÄRKER, ULTRAVIOLETT-LAMPE UND MINERAL-NACHFILTER MIT EINZEL-DRUCKHAHN



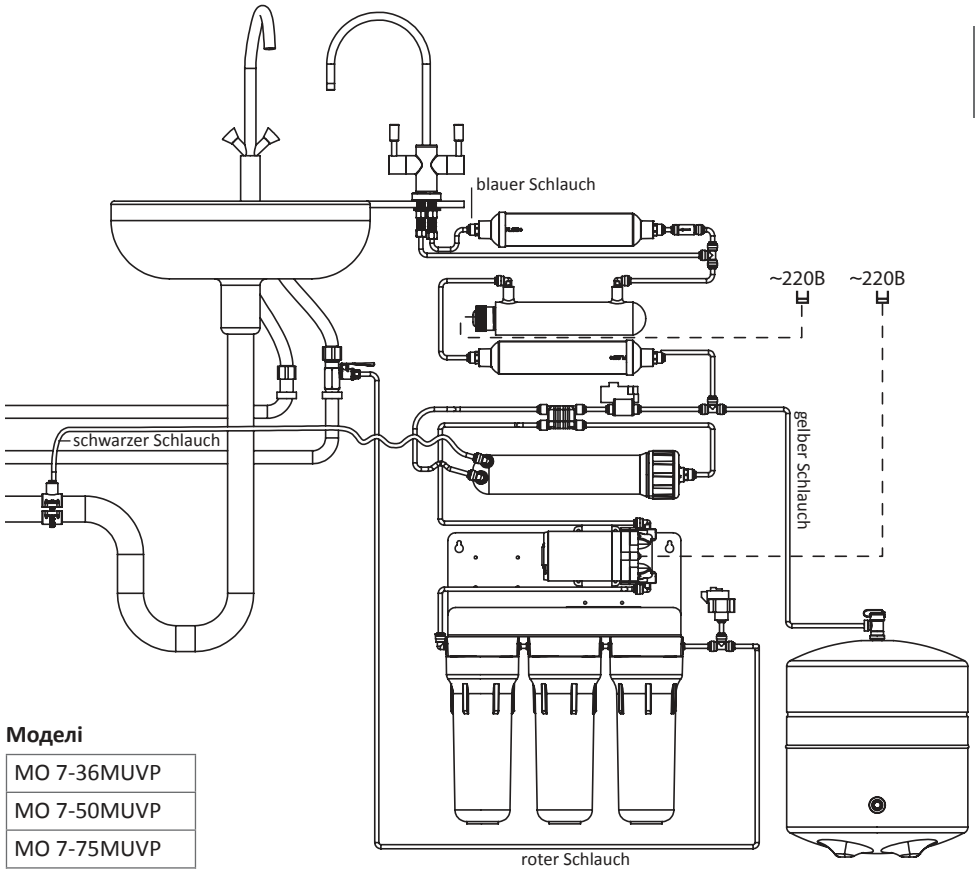
Модели

MO 7-36MUVP
MO 7-50MUVP
MO 7-75MUVP
MO 7-100MUVP

Der Hersteller behält sich das Recht vor, das Produktdesign zu modifizieren, unter Bedingung, dass diese Modifikation die für den Verbraucher wichtigen Merkmale nicht beschädigt.

3. ANSCHLUSSPLÄNE

3.8B. ANSCHLUSSPLAN FÜR MODELL MIT DRUCKVERSTÄRKER, ULTRAVIOLETT-LAMPE UND MINERAL-NACHFILTER MIT DOPPEL-DRUCKHAHN



Модели

MO 7-36MUV
MO 7-50MUV
MO 7-75MUV
MO 7-100MUV

Der Hersteller behält sich das Recht vor, das Produktdesign zu modifizieren, unter Bedingung, dass diese Modifikation die für den Verbraucher wichtigen Merkmale nicht beschädigt.

4. SCHRITTE ZUM EINBAU DES UMKEHROSMOSE-SYSTEMS

Vor dem Einbau des Umkehrosmose-Filtersystems lesen Sie bitte aufmerksam diese Bedienungsanleitung.

4.1. ÜBERPRÜFEN SIE DIE VOLLSTÄNDIGKEIT IHRES SETS

1) Überzeugen Sie sich, dass alle Teile in Ihrer Verpackung vorhanden sind. Öffnen Sie bitte das Paket mit Filter nicht, bevor Sie sich nicht überzeugen, dass alles Ihr Set vollständig ist, um beim Bedarf (Defekte, Unvollständigkeit) die Verpackung zurücksenden zu lassen.

2). Überprüfen Sie, ob Ihre Ausgangsdaten vor Ort den Spezifikationsanforderungen entsprechen:

Hauptdruck*	Behälterdruck*	Temperatur in der Wasserversorgung*
Vor dem Einbau des Filters überprüfen Sie den Wasserdruck in der Hauptleitung. Vergleichen Sie die Anforderungen im Abschnitt 2.2.	Überprüfen Sie den Behälterdruck. Vergleichen Sie mit den Anforderungen im Abschnitt 2.2.	Überprüfen Sie die Temperatur in der Wasserversorgung. Vergleichen Sie mit den Anforderungen im Abschnitt 2.2.
*Wenn die Ausgangsdaten den Anforderungen nicht entsprechen, gehen Sie in den Abschnitt 2.2. zur Einsicht der entsprechenden Maßnahmen.		

- überprüfen Sie, dass Ihr Produkt den Daten aus dem Abschnitt 2.2. entspricht;
- überprüfen Sie, dass das Wasser aus Ihrer Leitung den im Abschnitt 2.3. dargelegten Vorgaben entspricht.

**Entspricht das Wasser nicht den Vorgaben, soll der Spezialist aus dem Bereich der Wasserbehandlung kontaktiert werden.

3) Vor dem Einbau des Systems überzeugen Sie sich, dass Sie genug Platz sowohl für Filtereinheit als auch für Druckbehälter haben. Wenn Sie keinen Platz genug vorhanden haben, kann der Druckbehälter an einer gesonderten Stelle angebracht werden, unter Bedingungen, dass der gelbe Schlauch zur Verbindung mit dem Rest des Systems genug lang ist.

4) Bauen Sie das System nach dieser Bedienungsanleitung ein.

4.2. EINBAU

ACHTUNG! Dieses System soll vom Hersteller auf dessen Abbruchstellen getestet werden, da das Restwasser auch außerhalb des Systems vorhanden sein kann.

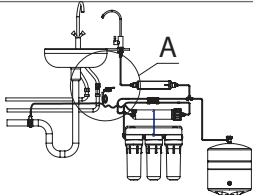
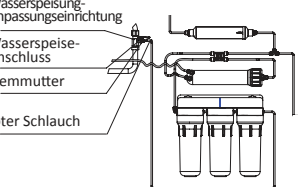
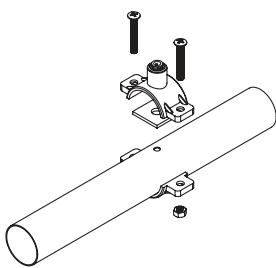
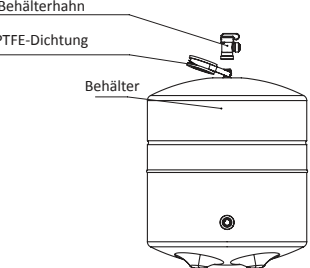
Waschen Sie sich sorgfältig Ihre Hände mit einer antibakteriellen Seife, bevor Sie mit Schläuchen, Kassetten und Membrane anfangen beginnen.

Das System soll an Stellen eingebaut werden, die vor direkten Sonneneinstrahlungen und Heizwirkungen geschützt sind.

1	Entfernen Sie die Verpackung vom Umkehrosmose-System und überprüfen Sie das System. Öffnen Sie bitte nicht das Paket mit weiteren Elementen. Bitte beachten Sie, dass Sie in diesem Falle keine Möglichkeit haben, die fehlenden Teile zu reklamieren.
2	Schalten Sie die Wasserleitung in Ihrer Küche oder im ganzen Haus aus und öffnen Sie den Wasserhahn für 1 Minute, in dem Sie das System einbauen möchten. Danach schließen Sie diesen zu.

4. SCHRITTE ZUM EINBAU DES UMKEHROSMOSE-SYSTEMS

DE

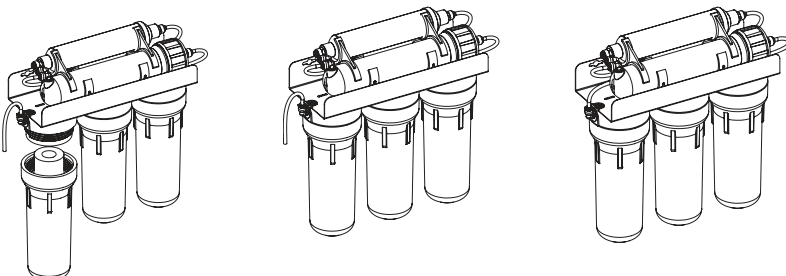
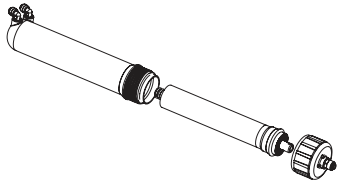
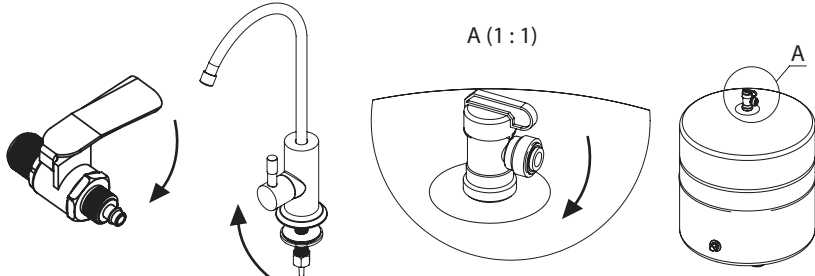
<p>3.</p>	<p>Drehen Sie den Wasserspeise-Anschluss 4 in die Wasserleitung ein. Drehen Sie das Speiseventil 5 in den Wasserspeise-Anschluss 4. Um den Austritt des Wassers vorzubeugen, benutzen Sie PTFE-Dichtung. Die Verbindungsgröße ist mit Übereinstimmung der üblichen Rohrgrößen ausgewählt. Haben Sie ein Rohr von einer anderen Größe, benutzen Sie die entsprechende Anpassungseinrichtung.</p>	 <p>Abb. A1</p> <p>Abb. A2</p> <p>Abb. A3</p> <p>Wasserspeise-Anschluss</p> <p>PTFE-Dichtung</p> <p>Anschluss Wasserspeisung-Anpassungseinrichtung</p> <p>Wasserspeise-Anschluss</p> <p>PTFE-Dichtung</p>
<p>4.</p>	<p>Drehen Sie die Klemmutter 5 aus und setzen Sie diese in den roten Schlauch rein. Bringen Sie den roten Schlauch am Ende des Wasserspeise-Anschlusses und schließen Sie diesen mit der Klemmutter an. Verbinden Sie das andere Ende des roten Schlauchs mit der Speisung zur schnellen Verbindung (rechts) in der Filtereinheit.</p>	 <p>Wasserspeisung-Anpassungseinrichtung</p> <p>Wasserspeise-Anschluss</p> <p>Klemmutter</p> <p>roter Schlauch</p>
<p>5.</p>	<p>Schließen Sie den Abfluss 8 mit Abflussschlauch von der Küchenspüle an. Der Abfluss ist mit den meisten Standard- Abflussschläuchen kompatibel. Bohren Sie ein Loch von 5,0 mm im Abflussschlauch der Küchenspüle, legen Sie Gummi-Dichtung mit klebriger Basis (im Lieferumfang enthalten). Bauen Sie den Afluss 8 auf dem Abflussschlauch über die Bohrung ein. Ziehen Sie die Muttern am Ablass Sattel mit einem Schraubenschlüssel . Legen Sie den schwarzen Schlauch in den Anschluss an der Klemme (Abbildung 4). Schließen Sie das andere Ende des schwarzen Schlauch an den Ausgang des Konzetrats an der Umhausung der Membrane.</p> <p>ACHTUNG! Überprüfen Sie, dass die Durchflussdrossel 12 in den schwarzen Schlauch am Ende der angeschlossenen Umhausung der Membrane eingebaut ist.</p>	
<p>6.</p>	<p>Setzen Sie die PTFE Kasette an der Spitze des Behältersausgangs. Schließen Sie den Behälter an den Behältersausgang an. Drehen Sie den Behälterhahn zu.</p> <p>WICHTIG! Überprüfen Sie den Luftdruck im leeren Behälter. Der Druck im Behälter soll 0.4 – 0.6 bar betragen. Beim Bedarf benutzen Sie die spezielle Pumpe, um den Druck zu erhöhen, bzw. öffnen Sie den Behälter, um den Druck zu verringern.</p>	 <p>Behälterhahn</p> <p>PTFE-Dichtung</p> <p>Behälter</p>

4. SCHRITTE ZUM EINBAU DES UMKEHROSMOSE-SYSTEMS

7.	Einbau des Hahns	
7.1	Um den Hahn für Trinkwasser einzubauen, müssen Sie ein Loch von 12,5 mm in einer bequemen Position an der Küchenspüle oder an einer Arbeitsplatte bohren.	
7.2	Achtung! Die Metallspäne können Ihr System beschädigen. Entfernen Sie diese mit Vorsicht, nachdem das Loch gebohrt worden ist. Ist Ihre Oberfläche zur Montage aus Stein oder Keramik ausgeführt, so benötigen Sie einen Hartmetallbohrer.	
7.3	Montieren Sie den Wasserhahn auf der Spüle oder Arbeitsplatte wie auf der Abbildung dargestellt. Durch Mutter, Sicherungsscheibe und Kunststoffscheibe auf dem Hahnschaft soll der Hahn auf der Oberfläche fixiert werden. Nehmen Sie den blauen Schlauch, setzen Sie darauf die Klemmmutter, Metallklammer und setzen Sie den Kunststoffteil ein.	
7.4	Führen Sie den blauen Schlauch so tief, wie es .	
7.5	Das Montieren des Doppel-Drckhahns ist somit beendet (für das System mit dem Mineral-Nachfilter).	
8.	Wählen Sie die Stelle, wo Sie Filter installieren und zwei Löcher bohren werden. Der Abstand zwischen den Löchern in der Wand muss genau dem Abstand zwischen den Löchern in der Halterung entsprechen . Erlauben mindestens 100 mm Zwischenraum zwischen dem Boden des Filters und Boden. Verwenden Sie beim Bedarf Dübel und schrauben Sie zwei Schrauben (nicht im Lieferumfang enthalten). Der Abstand zwischen den Bohrungen beträgt 272 mm .	
9.	Setzen Sie die Kassetten in die erste und zweite Umhausung Richtung des Wasseflusses (nach links).	
10.	Ziehen Sie alle Behälter manuell zu.	
11.	Trennen Sie den Schlauch, der die dritte Umhausung mit dem automatischen zu blockierenden Ventil verbindet (Richtung des Wasserflusses) .	

4. SCHRITTE ZUM EINBAU DES UMKEHROSMOSE-SYSTEMS

DE

12.	<p>Öffnen Sie den Wasserhahn 5 und durch die ersten zwei Vorfilter mit Kassetten 5-7 Liter Wasser abzuwaschen den Kohlenstaub, die in Kassetten während des Transports auftreten können, lassen.</p> <p>ACHTUNG! Dieses Wasser wird durch den Schlauch von automatisch zu blockierenden Ventil getrennt gießen, bereiten Sie dafür einen Behälter.</p>
13.	<p>Setzen Sie die Kassette in den dritten Behälter entlang Wasserfließrichtung und, befestigen Sie den Behälter Ölwanne zurück. Lassen Sie diesen mit mindestens 4 Liter Wasser vom Kohlenstaub abwaschen. Schließen Sie das Speiseventil 5 und schließen Sie das freie Ende des Schlauchs zurück zum automatisch zu blockierenden Ventil.</p> <div style="text-align: center;">  </div>
14.	<p>Bauen Sie die Membrane 11 in die Membrane-Umhausung ein.</p> <p>ACHTUNG! Entfernen Sie das Paket, um die Membrane des Umkehrosrose-Systems einzubauen. Montieren Sie die Membrane ohne das Paket, indem Sie diese direkt in die Umhausung reinlegen. Vermeiden Sie die Berührung der Membrane und bewahren Sie diese im Paket auf.</p> <div style="text-align: right;">  </div>
15.	<p>Lassen Sie das automatisch zu blockierende Ventil 3 mit dem gereinigten Wasser für 30 Minuten geöffnet. Danach öffnen Sie das Druckventil 6. Schließen Sie das Ventil 3 und überprüfen Sie das System auf das Vorhandensein der Abbrüche.</p> <p>ACHTUNG! In der ersten Woche nach der Montage überprüfen Sie aufmerksam das System auf das Vorhandensein der Abbrüche. Machen Sie das regelmäßig auch in Zukunft. Fahren Sie für längere Zeit auf Dienstreise oder in Urlaub, schalten Sie die Wasserleitung aus.</p> <div style="text-align: center;">  </div>
16.	<p>Nach dem Anfüllen des Wasserbehälters (Sie werden hören, dass das Wasser nicht mehr fließt) lassen Sie das Wasser aus dem Behälter fließen, indem Sie den Hahn 3 öffnen. Nachdem der Behälter leer ist, schließen Sie den Hahn 3, dass der Behälter neu angefüllt wird. Je nach dem Druck kann das von 1.5 bis 3 Stunden dauern. Nachdem der Behälter zum zweiten Mal angefüllt wird, können Sie das gereinigte Wasser benutzen.</p>

5. SCHRITTE NACH DEM EINBAU

5.SCHRITTE NACH DEM EINBAU

1. Messen Sie Zeit, die zum Anfüllen des Behälters notwendig ist. Der Behälter ist angefüllt, wenn das Anfüllen des Konzentrats im Abfluss beendet ist Tank gefüllt ist , wenn das Konzentrat nicht mehr abfließt. Der erhaltene Wert ist abhängig vom Wasserdruck (Druck in der Wasserleitung).
2. Maßnahme Recovery (Anteil der Leitungswassers, das gereinigt wird) . Sie benötigen 1 L Messbecher und eine Stoppuhr. Sperren Sie das Behälterventil 6 ab, öffnen Sie den Wasserhahn 3 und messen Sie die Zeit messen, dass das Gerät braucht, um 1 l Permeat (gereinigtes Wasser) zu produzieren, schließen Sie danach Hahn 3. Notieren Sie sich das Ergebnis (t_{Permeate} in der Gleichung unten).

Trennen Sie den schwarzen Schlauch verbunden zu Entnahme aus Ablauf Sattel sinken. Offene Wasserhahn 3 und die Zeit messen , die das Gerät braucht, um 1 l Konzentrat (Abwasser) zu produzieren, schließen Sie Hahn 3 und öffnen Sie das Tankventil 6. Notieren Sie sich das Ergebnis ($t_{\text{Concentrate}}$ in der Gleichung unten). Berechnen Sie nach der Formel:

$$R, \% = t_{\text{Concentrate}} : t_{\text{Permeate}} + t_{\text{Concentrate}}$$

In der t bedeutet die Anzahl der Sekunden, die zum Erhalten des 1l Wassers notwendig ist. R ist Stillstand (Recovery).

3. Messen Sie TDS der Wassereitung und TDS des gereinigten Wassers, benutzen Sie dafür den Meterzähler.
4. Überprüfen Sie, ob das automatisch zu blockierende Ventil richtig funktioniert. Schließen Sie den Behälter 6 und den Hahn 3. Das System soll für 10 Minuten ausgeschaltet werden (das System soll)
5. Überprüfen Sie das System auf Abbrüche.
6. Wir empfehlen den Besitzern des Systems, die vorliegende Bedienungsanleitung aufmerksam zu lesen.
7. Machen Sie sich entsprechende Notierungen im Abschnitt 9 dieser Anleitung.

6. BENUTZUNG

Das Umkehrosmose-System wurde für die Reinigung nur vom Kaltwasser entwickelt. Wenn die Füllzeit des Behälters erhöht wird, bedeutet dies, dass die Vorfilter-Kassetten ausgeleiert oder dringend zu tauschen sind. Verzögerung bei der Ersetzung von Kassetten können zur Verschlechterung oder Zerstörung der Membran führen . Um solche kritischen Situationen zu vermeiden, wird dringend empfohlen, dass Sie die Vorfilter-Kassetten mindestens einmal **alle 3 Monate ändern**.

Wenn die Rate der Filtration deutlich abfällt und nach dem Austauschen Vorfilter geholfen , müssen Sie Umkehrosmosemembran ersetzen.

Um gereinigtes Wasser von gleichbleibender Qualität zu genießen , ist es empfehlenswert, die Membrane **mindestens einmal in 1-1,5 Jahren zu ersetzen**.

Bei längerer Stillstandszeit (2 Wochen) , ist es notwendig , das System nach der im Abschnitt 7 beschriebenen Methode zu bereinigen. Wenn Sie für längere Zeit nicht zu Hause sind, empfiehlt es sich, die Wasserleitung zu sperren.

6. BENUTZUNG

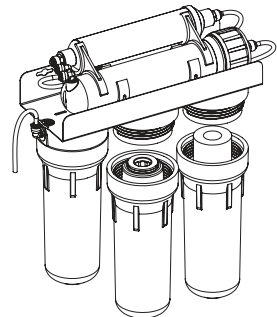
6.1. FITERTEILE UND EMPFEHLUNGEN ZUR ZEIT DEREN AUSTAUSCH

Zahl der Filtration	Bezeichnung der Kassette	Austauschzeit
erste	Vorfilter-Kassetten für Umkehr-Osmose der Wasserspeisung in der Wasserbehndlung. Die Lebensdauer der Kassette hängt von der Qualität der Wasserleitung und des täglich zu verbrauchenden Wasservolumens.	mindestens einmal in der Woche
zweite		
dritte		
vierte	Umkehrosmose-Membrane	einmal pro Jahr
fünfte	Karbon-Nachfilter	
sechste	Mineral-Nachfilter/UV-Lampe	

DE

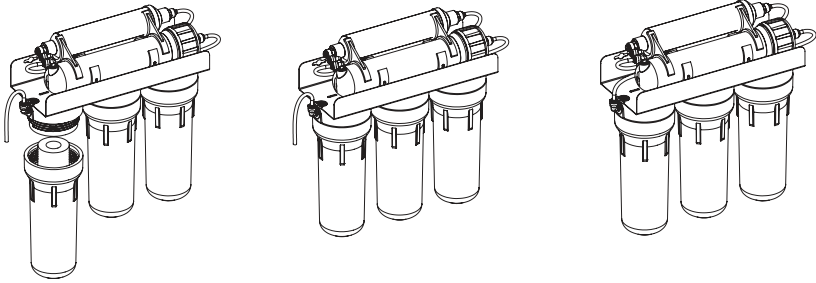
6.2. SCHRITTE ZUM AUSTAUSCH DER VORFILTER-KASSETTEN

1	Schließen Sie das Speisungventil 5 und das Ventil 6.
2	Waschen Sie sich Ihre Hände mit antibakterieller Seife.
3.	Drehen Sie zuerst mit dem Sammelbehälter 10 und danach mit Behälter in Wasserrichtung (von rechts nach links). Seien Sie vorsicht, da die Behälter das Wasser beinhalten.
4.	Entfernen Sie die gebrauchten Filter-Kassetten.
5.	Waschen Sie die Behälter mit Waschmittel und Waschlappen, danach waschen Sie das Wasser ab.
6.	Setzen Sie neue Kassetten in den ersten und zweiten Behälter in Wasserrichtung ein.
7.	Trennen Sie den Behälter vom dritten Sammelbehälter im automatisch zu blockierenden Ventil.
8.	Öffnen Sie das Speiseventil 5 und waschen Sie die ersten zwei montierten Kassetten mit 5 – 7 L Wasser, um sie vom während der Lieferung entstandenen Kohlenstaub zu reinigen. ACHTUNG! Dieses Wasser wird im Bereich des getrennten Behälters im automatisch zu blockierenden Ventil fließen. Bereiten Sie dafür eine Schlüssel.



6. BENUTZUNG

- 9.** Entfernen Sie den dritten Vorfilter-Behälter von der Filterspitze. Seien Sie vorsicht, wenn dieser mit dem Wasser angefüllt wird.
- 10.** Entfernen Sie die verbrauchte Filter-Kassette und waschen Sie den Behälter mit spezieller Seife und Waschlappen, danach reinigen Sie ihn sorgfältig mit Wasser.
- 11.** Setzen Sie die neue Kassette in den dritten Behälter rein. Drehen Sie den Behälter mit dem Rücken und reinigen Sie diesen mit mindesten 4 L Wasser. Schließen Sie das Speiseventil 5 und verbinden Sie den vorher getrennten Schlauch mit dem automatisch zu blockierenden Ventil.

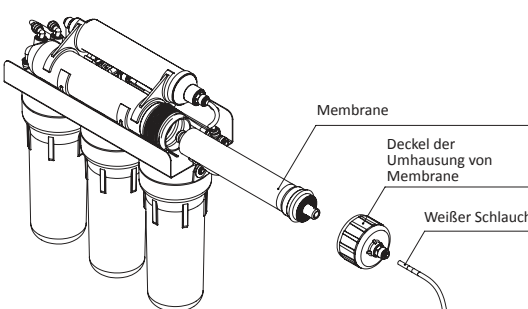


- 13.** Öffnen Sie den Behälter 6.
- 14.** Öffnen Sie das Speiseventil 5.

6. BENUTZUNG

6.3. SCHRITTE ZUM AUSTAUSCH DER MEMBRANE

(Membrane soll von einem qualifizierten und geschulten Personal ersetzt werden)

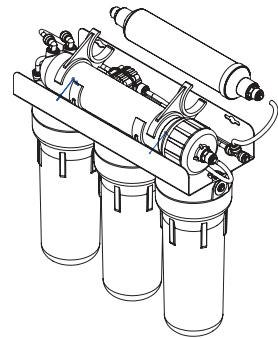
1.	Schalten Sie die Wasserversorgung im System aus (Speiseventil 5), schließen Sie den Behälter 5 zu.
2.	Öffnen Sie den Hahn für gereinigtes Wasser, um den Druck im System wiederherzustellen.
3. 4. 5.	<p>Trennen Sie den weißen Schlauch vom Einlass in der Umhausung von Membrane Drehen Sie den Deckel der Umhausung von Membrane aus. Entfernen Sie die genutzte Membrane des Umkehrosmose-Systems 11 (merken Sie sich, welches Ende der Membrane in welche Richtung einzusetzen ist).</p> 
6.	Schmieren Sie die Gummi-Dichtungen der ausgenommenen Membrane und der Umhausung von Membrane. ACHTUNG! Zur Vermeidung der Beschädigung der Membrane benutzen Sie ausschließlich Glycerin als Schmiermittel.
7.	Bauen Sie erneut die Membrane in ihre Umhausung. Achten Sie dabei auf deren Richtung und Platzierung im Schlauch. ACHTUNG! Entfernen Sie die Verpackung, bevor Sie die Umkehrosmose-Membrane direkt in deren Umhausung einbauen. Dabei vermeiden Sie bitte das Anfassen der Membrane und bewahren Sie diese ausschließlich in der Verpackung auf.
8.	Drehen Sie den Deckel der Umhausung zu.
9.	Schließen Sie den weißen Schlauch an den Einlass der Umhausung von Membrane an.
10.	Schließen Sie den Wasserhahn 3 zu.
11.	Öffnen Sie den Behälter 6.
12.	Öffnen Sie das Speiseventil 5.
13.	Nach dem Anfüllen des Behälters (Sie hören, dass das Wasser nicht mehr fließt) lassen Sie den Wasserrest ausfließen, indem Sie den Hahn 3 öffnen. Nachdem das Wasser nicht mehr fließt, machen Sie den Hahn 3 für das gereinigte Wasser zu, dass der Behälter erneut angefüllt wird. Je nach der Druckhöhe in der Hauptleitung kann das Anfüllen von 1.5 Stunden bis 3 Stunden dauern. Nach dem 2. Anfüllen des Behälters können Sie das gereinigte Wasser benutzen.

DE

6. BENUTZUNG

6.4. SCHRITTE ZUM AUSTAUSCH DES KARBON-VORFILTERS BZW. DES MINERAL-NACHFILTER

1.	Schalten Sie die Wasserversorgung im System aus (Speiseventil 5), schließen Sie den Behälter 5 zu.
2.	Öffnen Sie den Hahn für gereinigtes Wasser, um den Druck im System wiederherzustellen.
3.	Trennen Sie die Schläuche, mit denen das Karbon-Vorfilter bzw. das Mineral-Vorfilter ans System angeschlossen werden (merken Sie sich, welches Ende der Schläuche in welche Richtung eingesetzt wurde).
4.	Entfernen Sie das genutzte Karbon-Vorfilter/Mineral-Vorfilter.
5.	Bauen Sie das neue Karbon-Vorfilter/Mineral-Vorfilter. Achten Sie dabei auf die Richtung der Pfeile, die die Wasserrichtung bezeichnen.
6.	Schließen Sie die Schläuche an das neue Carbon-Vorfilter/Mineral-Vorfilter, um diese ans System anzuschließen.
7.	Öffnen Sie das Speiseventil 5. Öffnen Sie den Behälter 6.
9.	Nach dem Anfüllen des Behälters (Sie hören, dass das Wasser nicht mehr fließt) lassen Sie den Wasserrest ausfließen, indem Sie den Hahn 3 öffnen. Nachdem das Wasser nicht mehr fließt, machen Sie den Hahn 3 für das gereinigte Wasser zu, dass der Behälter erneut angefüllt wird. Je nach der Druckhöhe in der Hauptleitung kann das Anfüllen von 1.5 Stunden bis 3 Stunden dauern. Nach dem 2. Anfüllen des Behälters können Sie das gereinigte Wasser benutzen.



6.5. SCHRITTE ZUM AUSTAUSCH DER UV-LAMPE (UV-Lampe soll von einem qualifizierten und geschulten Personal ersetzt werden)

Die empfohlene Lebensdauer einer UV-Lampe beträgt 9000 Betriebsstunden (angeblich 1 Jahr des ununterbrochenen Betriebs).

ACHTUNG!

Von der Benutzung der UV-Lampe über die empfohlene Lebensdauer wird ausdrücklich abgeraten, da die Intensität der UV-Strahlung und ihre keimtötende Wirksamkeit verringert wird.

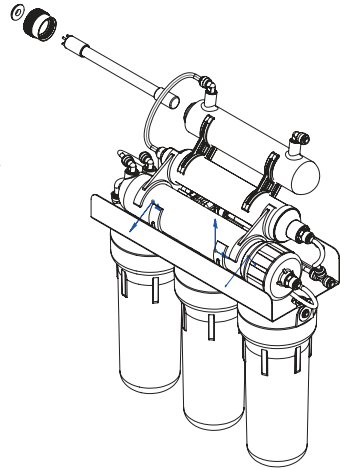
Es wird ausdrücklich verboten, die Stärke der UV-Lampe zu erhöhen, wenn die Lampe nicht im Metallgehäuse ist, sowie auf die angeschaltete Lampe zu sehen. Dies kann zu Augenschäden führen und zur Verschlechterung oder Verlust des Sehvermögens. Beim Austausch der UV-Lampe ist es ratsam, die Quarzhülse zu reinigen. Verwenden Sie keine Scheuermaterialien, um die Hülse zu reinigen, da dies die Transparenz der Hülse gegen UV-Strahlung verringern können, wodurch die Effizienz der Desinfektion reduziert wird. Seien Sie vorsichtig beim Entfernen der Quarzhülse, um das Gehäuse nicht zu beschädigen bzw. die Hülle nicht zu kratzen.

6. BENUTZUNG

DE

Seien Sie beim Entfernen von Dichtringen aus den Enden der Hülse vorsichtig. Die Ringe dienen dazu, die Lampe und elektrische Verbindungen von Wasserlecks zu schützen. UV-Lampen sollten mit Vorsicht behandelt werden und nur in keramischen Enden gehalten werden, weil die Quarzoberfläche keimtötende Wirksamkeit reduzieren kann und die Nutzungsdauer verkürzt werden kann. Verwenden Sie Baumwollhandschuhe bei der Arbeit mit UV-Lampen.

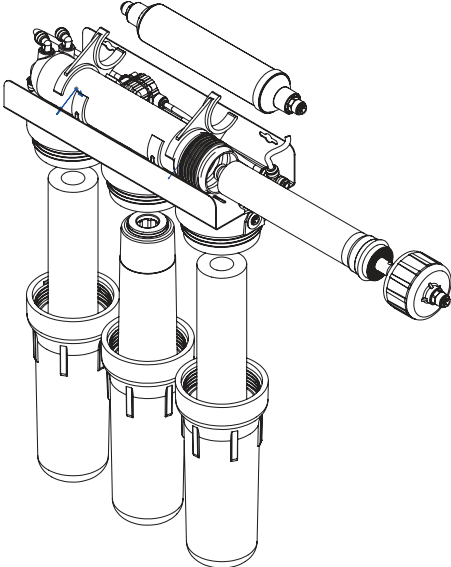
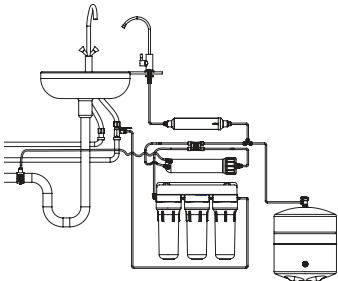
1.	Schalten Sie die UV-Lampe aus der Stromversorgung aus.
2.	Schalten Sie das Speiseventil 5 und den Behälter 6 aus.
3.	Entfernen Sie die schwarze PVC Endkappe mit Drahtloch.
4.	Entfernen Sie die Lampe aus der Quarzhülse, indem Sie an der Basis. Berühren Sie nicht die Lampe!
5.	Ziehen Sie den Netzstecker. Halten Sie die Lampe am Sockel.
6.	Setzen Sie die neue Lampe Hälfte in die Quarzhülse.
7.	Schließen Sie richtig den Stromstecker.
8.	Schieben Sie die neue Lampe bis zum Anschlag in das Gehäuse und setzen Sie den PVC-Kappe am Ende.
9.	Wiederherstellung der Wasserversorgung an das Gerät und überprüfen, ob Dichtheit der Quarzhülse Dicht nicht während des Lampenwechsel gestört.
10.	Stecken UV-Lampe-Adapter in eine Steckdose und überprüfen, ob der neue UV-Lampe ordnungsgemäß funktioniert. Dies wird durch kontinuierliche grüne LED am Adapter bestätigt werden.



7. REINIGUNG DES UMKEHROSMOSE-SYSTEMS

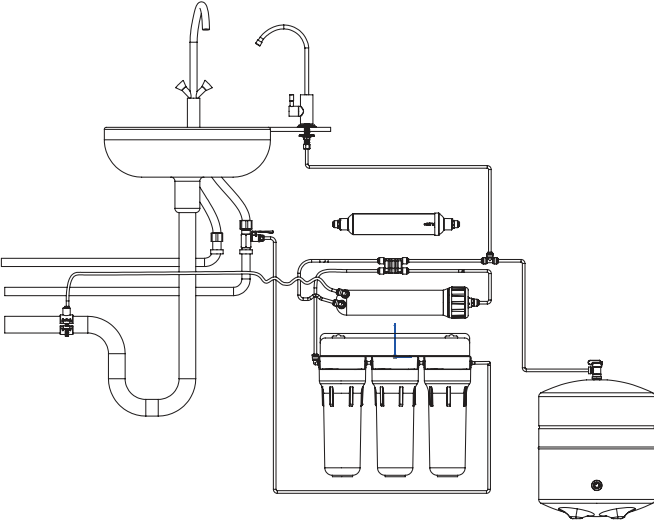
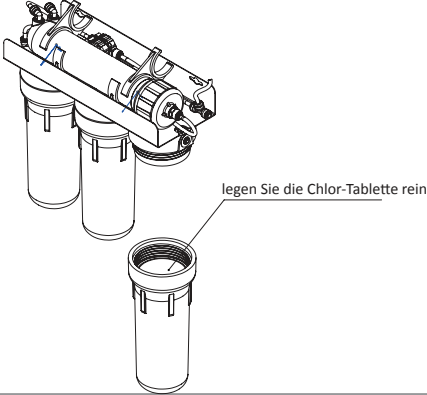
Es wird empfohlen, das Umkehrosmose-Filter nach einiger Zeit der Benutzung (6 Monate) zu reinigen. Die Reinigung soll auch durchgeführt werden, wenn das Filter mehr als 3 Wochen ununterbrochen nicht benutzt wurde. Außerdem ist die Reinigung des Systems beim Austausch der Kassetten empfehlenswert.

Zur Reinigung des Umkehrosmose-Filters wird auch empfohlen, Chlor-Desinfektionstabletten zu benutzen.

1.	Drehen Sie das Speiseventil 5 und den Behälter 6 zu.
2.	<p>Entfernen und schalten Sie die Vorfilter-Kassetten und Karbon-Nachfilter aus.</p> 
3.	Entfernen Sie die Spitze der Umhausung von Membrane sowie die Membrane mit Spitzzange, wenn nötig. legen Sie die Membran in eine enge Tasche und im Kühlschrank lagern bei +2 ... +5 ° C.
4.	<p>Schrauben Sie wieder am 2. und 3. Vorfilter-Behälter, schrauben Sie die Umhausungs der Membrane an und schließen Sie den Schlauch vom Wasserhahn direkt an das Gerät ohne Karbon-Nachfilter an.</p> 

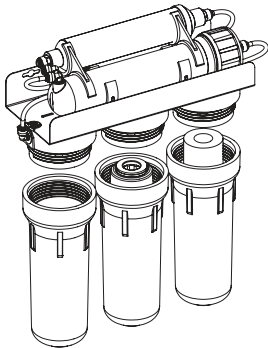
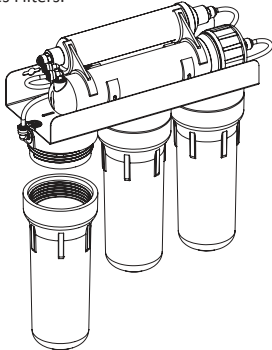
7. REINIGUNG DES UMKEHROSMOSE-SYSTEMS

DE

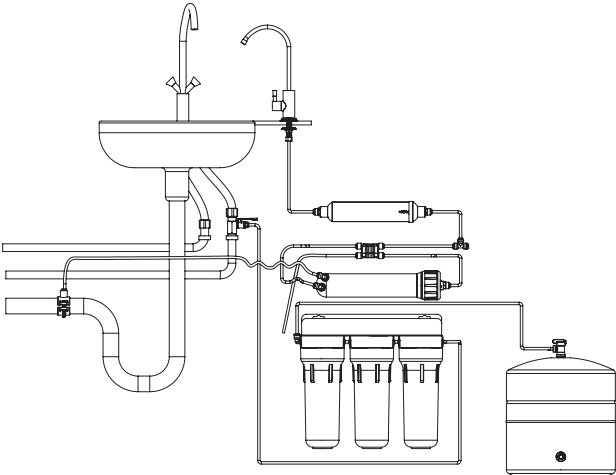
<p>4.</p>	
<p>5.</p>	<p>Legen Sie die Chlor-Tablette in den ersten Behälter rein. Füllen Sie den Behälter mit dem Wasser und</p> 
<p>6.</p>	<p>In 15 Minuten öffnen Sie den Hahn für Trinkwasser 3 und das Speiseventil 5.</p>
<p>7.</p>	<p>Nachdem das Wasser aus dem Hahn 3 fließt, wird ein Chlor-Geruch spürbar. Schließen Sie beide Hahn 3 und Speiseventil 5.</p>
<p>8.</p>	<p>Benutzen Sie das System nicht innerhalb von 2 -3 Stunden.</p>
<p>9.</p>	<p>Öffnen Sie den Hahn 3 und das Speiseventil 5 und lassen Sie das Wasser solange laufen, bis der Geruch des Bleichmittels nicht mehr spürbar ist.</p>
<p>10.</p>	<p>Setzen Sie die zu verbrauchenden Teile wieder ins System rein. Öffnen Sie den Druckbehälter 6 und das Speiseventil 5.</p>
<p>11.</p>	<p>Entleeren Sie den Behälter und füllen Sie diesen mindestens 2-mal an (solange der Chlor-Geruch nicht mehr spürbar ist).</p>

7. REINIGUNG DES UMKEHROSMOSE-SYSTEMS

7.1. REINIGUNG DES DRUCKBEHÄLTERS

1.	Drehen Sie das Speiseventil 5 zu.
2.	Öffnen Sie den Hahn 3 und entfernen Sie die Flüssigkeit aus dem Druckbehälter in eine gesonderte Schüssel.
3.	Schließen Sie den Druckbehälter 6.
4.	Entfernen Sie die Vorfilter-Kassetten. 
5.	Montieren Sie den 2. Und 3. Behälter (in Wasserrichtung) an der Rückseite des Filters. 

7. REINIGUNG DES UMKEHROSMOSE-SYSTEMS

<p>6.</p>	<p>Trennen Sie den Schlauch, indem Sie zum Aufbewahrungsbehälter des Systems vor dem Kohlen-Vorfilter und in den 3. Vorfilter-Ausgang übergehen.</p> 
<p>7.</p>	<p>Machen Sie die Desinfektionstablette in den 1. Behälter rein. Füllen Sie den Behälter mit Wasser und schließen Sie zu.</p>
<p>8.</p>	<p>Nach 15 Minuten öffnen Sie den Druckbehälter 6.</p>
<p>9.</p>	<p>Öffnen Sie den Druckbehälter 5 für 5 Minuten</p>
<p>10.</p>	<p>Schließen Sie den Druckbehälter 6 und lassen Sie den mit Chlor angefüllten Behälter für 1-2 Stunden.</p>
<p>11.</p>	<p>Öffnen Sie den Druckbehälter 6 und lassen Sie das ganze Wasser aus dem Behälter in die Schüssel fließen. Trennen Sie es vom 3. Vorfilter und bringe wieder das System in die ursprüngliche Schlauch-Lage.</p>
<p>12.</p>	<p>Setzen Sie die Kassetten in Behälter rein und installieren Sie Behälter mit deren Spitzenteilen. Danach öffnen Sie den Speisebehälter 5 und das Speiseventil 6.</p>
<p>13.</p>	<p>Lassen Sie den Tank austrocknen und füllen Sie erneut den Behälter, mindestens dreimal (solange der Chlorine-Geruch nicht mehr spürbar ist).</p>

8. PROBLEMBEBEHUNG

PROBLEM	GRUND	LÖSUNG
Abbruch in der Versorgung	Der Behälter ist nicht genug dicht	Den Behälter entfernen und erneut einbauen
Abbruch im Sammelbehälter	Der Sammelbehälter ist falsch eingebaut worden.	Den Sammelbehälter erneut einbauen. Siehe Beschreibung im Abschn. 4.2.
Abbruch im Vorfilter	Abbruch oder falsche Einrichtung der O-Ring-Dichtung,	Überprüfen Sie, dass O-Ring ist richtig in der Gummi-Dichtung eingerichtet.
	Behälter ist nicht dicht.	Den Behälter dicht zuziehen
Das Wasser fließt vom Hahn sehr langsam oder fließt nur in einigen Sekunden nach der Öffnung des Wasserhahns	Der Wasserhahndruck ist zu niedrig.	Dieses UO-System erfordert für ein problemloses Funktionieren mindestens 3 bar. Falls notwendig, bauen Sie eine Druckverstärkerpumpe ein oder holen Sie eine Beratung vom Spezialisten in Fragen bzgl. Behälter ein.
	Vorfilter-Kassetten sind verstopft.	Ersetzen Sie Vorfilter-Kassetten
	Membrane ist verstopft.	Messen Sie Permeat Durchfluss durch Schließen Tankventil 6 und dem Öffnen Hahn 3. Verwenden Sie einen Messbecher zu überprüfen, ob die Zeit, die zur Herstellung von 1 L Trinkwasser ist wie folgt: - 8 Minuten mit 50 gpd Membran; - 5-6 Minuten mit 75 gpd Membran; - 4 Minuten mit 100 gpd Membran. Wenn es zweimal so lange dauerte oder mehr zu 1 Liter Wasser zu produzieren, muss die Membran ersetzt werden (siehe in den Laden, in dem Sie dieses Produkt gekauft haben)
	Der Behälter ist verdreht.	Richten Sie den Schlauch ein.
	Der Druckbehälter ist beschädigt.	Der Druck in den leeren Tank sollte 0,4-0,6 bar (6-9 psi) betragen. Laden Sie den Tank auf die oben Druck
Starke Geräusche	Luft im automatisch zu blockieren- den Ventil	Die Luft wird von selbst verschwinden mit weiteren Betrieb des Systems
	Wasserdruck ist zu hoch	Überprüfen Sie den Druck in der Wasserversorgung. Bauen Sie einen Druckverstärker oder holen Sie eine Beratung vom Spezialisten in Fragen bzgl. Behälter ein.

8. PROBLEMBEHEBUNG

DE

Das automatisch zu blockierende Ventil ist verdreht	Druckstörungen in der Wasserleitung	Installieren Sie ein Rückschlagventil auf der Hauptleitung in Ihrem kitch- en oder an der Eintrittsstelle der Wasserversorgung Ihres Hauses. Holen Sie eine Beratung vom Spezialisten in Fragen bzgl. Behälter ein.
Das System ist ständig angeschaltet (Wasser läuft ununterbrochen)	Der Wasserdruck ist zu niedrig.	Der Wasserdruck ist zu niedrig. Dieses UO-System erfordert für ein problemloses Funktionieren mindestens 3 bar. Falls notwendig, bauen Sie eine Druckverstärkerpumpe ein oder holen Sie eine Beratung vom Spezialisten in Fragen bzgl. Behälter ein.
	Das Vorfilter ist verstopft.	Ersetzen Sie die Vorfilter-Kassetten.
	Die Membrane ist verstopft.	Messen Sie Gasaustritt Wasser durch Schließen des Flaschenventils und Öffnen des Wasserhahns. Messdurchsatz sollte auf den Nennmembrandurchflussmenge entspricht.
	Der Durchflussbegrenzer ist nicht installiert bzw. falsch installiert.	Durchflussbegrenzer sind in der Röhre läuft vom Membrangehäuse ablaufen installiert werden. Durchflussbegrenzer müssen Membrangehäuse stellen. Wenn sie konfrontiert Ablauf Sattel Montage, reinigen und Swap-Enden der Röhre, so dass es am Ausgang der Membran Gehäuse untergebracht ist. Wenn Durchflussbegrenzer nicht installiert wurde, installieren Sie ein.
	Fehler im automatisch zu blockierenden Ventil	Der UO-System-Betrieb funktioniert ununterbrochen, wenn der Behälter voll ist, kann durch automatisch zu blockierendes Ventil zu Fehlern kommen. Den Laden zu kontaktieren, in dem Sie gekauft haben dieses Produkt, wenn keine andere mögliche Ursache festgestellt werden kann
	Fehler am Membrangehäuse Permeatauslass Rückschlagventil in der Übergangsarmatur installiert	Der Druck in den leeren Tank sollte 0,4-0,6 bar (6-9 psi) betragen. Erhöhen Sie beim Bedarf den Druck des Behälters
	Druckbehälter ist deflationiert.	Öffnen Sie den Hahn für Trinkwasser und lassen Sie etwas Wasser aus. Es ist normal, dass das System im Leerlauf stehen, wenn der Druckbehälter mit Wasser gefüllt ist.
Das System wird nicht angeschaltet (das Wasser fließt nicht in den Behälter)	Druckbehälter ist voll	Öffnen Sie den Ablaufhahn und lassen einbißchen Wasser aus. Es ist normal für das System auszufallen, wenn der Druckbehälter mit Wasser voll ist.
	Durchflussbegrenzer ist verstopft	Reinigen Sie oder wechseln Sie die Platzierung des Durchflussbegrenzers.
	Ablauf nicht auf Abflussrohr Loch zentriert	Positionieren Sie richt den Ablauf.

8. PROBLEMBEHEBUNG

<p>Das Trinkwasser hat einen Milchgeschmack bzw. wird nach ein paar Minuten nach dem Öffnen des Wasserhahns nicht geliefert</p>	<p>Luft im System</p>	<p>Ein Teil der Luft im System ist normal für ein paar Tage nach der Installation des Systems. In einigen Fällen kann Luftblasen durch Speisewasser signifikant niedrigeren Temperatur als Ihr Zuhause Umgebungstemperatur angezeigt</p>
<p>Das Wasser hat Nebengeschmücke</p>	<p>Karbon-Nachfilter ist nicht mehr verwendbar</p>	<p>Dieses UO-System erfordert für ein problemloses Funktionieren mindestens 3 bar. Falls notwendig, bauen Sie eine Druckverstärkerpumpe ein oder holen Sie eine Beratung vom Spezialisten in Fragen bzgl. Behälter ein.</p>
	<p>Die Verdichtung in der Membrane ist nicht mehr verwendbar.</p>	<p>Lassen Sie das System austrocknen und starten Sie es neu</p>
	<p>Zusätze im Umkehrosmose-System</p>	<p>Reinigen Sie das System nach dem Abschn. 7</p>
	<p>Zusätze im Druckbehälter</p>	<p>Ersetzen Sie den Behälter oder reinigen Sie das System nach dem Abschn. 7.1.</p>
<p>Der Behälter kann ein geringes Wasservolumen beinhalten</p>		<p>Der Druck im leeren Behälter soll 0.4 – 0.6 bar (6-9 psi) betragen. Überprüfen, ob der Druckwert richtig ist.</p>
<p>Kein Wasser aus dem Wasserhahn beim vollen Behälter</p>	<p>Druckbehälter ist voll</p>	<p>Der Druck im leeren Behälter soll 0.4 – 0.6 bar (6-9 psi) betragen. Überprüfen, ob der Druckwert richtig ist.</p>
	<p>Hahn des Behälters ist zugemacht</p>	<p>Den Behälter öffnen</p>

9. EINTRAGUNG DER LEISTUNG

Der Hersteller empfiehlt ausdrücklich alle Aktivitäten mit dem System schriftlich zu registrieren. Die in diesen Spalten einzutragenden Daten sollen des Weiteren beim Bedarf die Servicebeziehung bzw. die Reparatur durch Spezialisten erleichtern. Diese Daten können auch vom Hersteller angefordert werden, falls irgendwelche Maßnahmen eingetroffen worden sind.

INBETRIEBNAHME

Inbetriebnahme Datum: TT MM JJ	Hauptdruck	Desinfektionsmethode, bevorzugt JA, NEIN	ANFÜLLZEIT DES BE- HÄLTERS: HH MM	Kонвeрсия (recovery)	Empfehlungen	Sonstige Informationen über das montierte Gerät: Name, Datum des Einbaus (Beispiel: Druckregler, Pumpe, POE, Wasserfil- ter etc.)	Unterschrift des Verkäufers	Unterschrift des Monteurs
-----------------------------------	------------	---	--------------------------------------	----------------------	--------------	---	--------------------------------	------------------------------

Die Montage ist abgeschlossen. Das Produkt wurde getestet und bleibt weiter im vollen Umfang funktionieren. Unsererseits bestehen keine Reklamationen.

Verkäufer _____
Unterschrift

Monteur _____
Unterschrift

9. EINTRAGUNG DER LEISTUNG

EINTRAGUNG DER WARTUNGSARBEITEN

Unterschrift				
Kontakte der Firma - Leistungserbringers				
Name des Monters				
Name der Firma – des Leistungserbringers				
Datum der Wartungsar- beiten: TT: MM: JJ.				
Empfehlungen				
Recovery				
Reinigung durchgeführt JA, NEIN				
Während der Leistung benutzte Produkte: Pro- dukt, Herstellungsdatum, Seriennummer (Beispiel: Kassette, Membrane)				
Typ der Leistung				

10. UMWELT UND GESUNDHEITSSCHUTZ

Das Produkt hat keine chemischen, radiologischen oder elektrochemischen Auswirkungen auf die Umwelt. Das Produkt hat keine gefährlichen Auswirkungen auf den menschlichen Körper. In seiner Gesamtheit entspricht das Produkt den Anforderungen der gültigen Sanitätsgesetzen.

11. ERWERB

Erwünschenswert ist, dass das Produkt in den berechtigten Verkaufsstellen erworben wird. Beim Kauf überprüfen Sie die Vollständigkeit Ihres Pakets bzw. das Produkt auf dessen mögliche Beschädigungen und andere Mängel, Systeminhalte (ohne das Paket zu öffnen), Vorhandensein der Benutzerdokumente, insbesondere dieser Bedienungsanleitung und Garantieschein.

12. LIEFERUNG UND AUFBEWAHRUNG

Das Produkt kann in beliebiger Weise in Übereinstimmung mit den Regeln der Warenlieferung für jede Verkehrsart geliefert werden (ausgeschlossen sind dabei die nicht beheizte Lieferung zu kalten Jahreszeiten). Beim Kontakt mit Produkt bzw. bei dessen Lieferung werden seine Kennzeichnungen beachtet. Das Produkt soll im Raum, geschützt gegen mechanische Beschädigungen, geschützt gegen Flüssigkeit und aggressive Chemikate gelagert. Bewahren Sie dieses Produkt im Paket vom Hersteller bei der Umgebungstemperatur von 5°C bis 40°C. Verringern Sie dabei die Feuchtigkeit bis 80% mindestens mit 1 m Abstand von Heizungsgeräten.

Das Produkt kann in beliebiger Weise in Übereinstimmung mit den Regeln der Warenlieferung für jede Verkehrsart geliefert werden (ausgeschlossen sind dabei die nicht beheizte Lieferung zu kalten Jahreszeiten). Beim Kontakt mit Produkt bzw. bei dessen Lieferung werden seine Kennzeichnungen beachtet. Das Produkt soll im Raum, geschützt gegen mechanische Beschädigungen, geschützt gegen Flüssigkeit und aggressive Chemikate gelagert. Bewahren Sie dieses Produkt im Paket vom Hersteller bei der Umgebungstemperatur von 5°C bis 40°C. Verringern Sie dabei die Feuchtigkeit bis 80% mindestens mit 1 m Abstand von Heizungsgeräten.

Wir bedanken uns bei Ihnen für den Kauf des Umkehrosmose-Haushaltssystems von Ecosoft Company. Wir hoffen, dass Sie dieses Produkt lange Zeit benutzen und Ihre Familie die hohe Wasserqualität genießt. Die Hersteller gewährleistet, dass das Wasserreinigungssystem keine Herstellungsdefekte beinhaltet und diese Defekte innerhalb der Garantiezeit ab dem Datum des Erwerbs nicht entstehen, unter Bedingung, dass die in dieser Bedienungsanleitung beschriebenen Anforderungen und Betriebsbedingungen strikt eingehalten wurden.

Zur Vermeidung der Missverständnisse bitten wir Sie aufmerksam die Hinweise zum Einbau und Betrieb der Umkehrosmose-Systeme, Garantiebedingungen, Verbindlichkeit durchlesen. Überprüfen Sie bitte, dass der Garantieschein richtig ausgefüllt wurde, dass Sie den Kaufbeleg haben (Quittung oder Rechnung). Der Garantieschein ist nur dann gültig, wenn das Modell, Kaufdatum und der Stempel der Verkaufsstelle übereinstimmen. Zu Montage-Details lesen Sie Hinweise zur Montage und Benutzung bzw. wenden Sie sich an ein qualifiziertes Fachpersonal an.

Der Hersteller haftet nicht für Schäden an Gegenständen oder andere Schäden, einschließlich entgangenen Gewinns, die durch Zufall oder durch die Nutzung oder der nicht geeigneten Nutzung des Produkts entstanden ist. Die Verbindlichkeit des Herstellers gemäß dieser Garantie ist im Preis des Filters inbegriffen.

13. GARANTIE

Die Garantie verbreitet sich nicht an:

- austauschbare Elemente (Kassetten, Umkehrosmosemembrane, Karbon-Nachfilter, Miner al-Nachfilter oder andere Verbrauchsmaterialien aus dem zu liefernden Paket);
- elektrische Anlagen in nicht geerdeten elektrischen Anlagen oder fehlende Spannungsregler, wo es erforderlich ist;
- Komponenten, die infolge der besseren vorgesehenen Umhausung zu ersetzen sind
- Störungen, die durch vorzeitigen Austausch von Verschleißelemente, die in dieser Bedienungsanleitung beschrieben sind, und auch infolge des Verbrauchs von anderen Verbrauchsmaterialien zu verwenden entstanden sind.

Alle Reklamationen, die den Geschmack, Geruch oder Qualitätswerte betreffen, müssen nur mit dem Labor bei berechtigten Laboratorien nachgewiesen werden.

Die mit diesem Gutschein nicht gedeckten Fälle müssen in Übereinstimmung mit den örtlichen Gesetzen gelöst werden.

NOTIZEN

DE

NOTIZEN

ЗМІСТ

1	Призначення системи	86
2	Характеристики та комплектація	88
2.1	Умовні позначення та коди моделей	88
2.2	Технічні характеристики	89
2.3	Вимоги до води, що подається на систему зворотного осмосу	89
2.4	Комплектація системи зворотного осмосу	90
3	Схеми підключення	92
3.1	Схема підключення системи в базовій комплектації	92
3.2	Схема підключення системи з мінералізатором	93
3.3	Схема підключення системи з ультрафіолетовою лампою	94
3.4	Схема підключення системи з помпою	95
3.5	Схема підключення системи з мінералізатором та помпою	96
3.6A	Схема підключення системи з мінералізатором та ультрафіолетовою лампою з одинарним краном для очищеної води	97
3.6B	Схема підключення системи з мінералізатором та ультрафіолетовою лампою з подвійним краном для очищеної води	98
3.7	Схема підключення системи з ультрафіолетовою лампою та помпою	99
3.8A	Схема підключення системи з мінералізатором, ультрафіолетовою лампою та помпою з одинарним краном для очищеної води	100
3.8B	Схема підключення системи з мінералізатором, ультрафіолетовою лампою та помпою з подвійним краном для очищеної води	101
3.9A	Схема підключення системи P'URE з одинарним краном для очищеної води	102
3.9B	Схема підключення системи P'URE з подвійним краном для очищеної води	103
4	Послідовність дій під час монтажу системи зворотного осмосу	104
4.1	Перевірка вхідних параметрів	104
4.2	Встановлення	104
5	Послідовність дій після монтажу	108
6	Правила експлуатації	108
6.1	Призначення вузлів та їх заміна	109
6.2	Послідовність дій під час заміни картриджів попереднього очищення	109
6.3	Послідовність дій під час заміни мембрани	111
6.4	Послідовність дій під час заміни вугільного картриджа та/або мінералізатора	112
6.5	Послідовність дій під час заміни ультрафіолетової лампи	112
7	Дезінфекція систем зворотного осмосу	114
7.1	Дезінфекція накопичувального бака	116
8	Можливі несправності та способи їх усунення	118
9	Щоденник технічного обслуговування	121
10	Безпека здоров'я та навколишнього середовища	123
11	Правила купівлі	123
12	Транспортування та зберігання	123
13	Гарантійні обов'язки	123
14	Сертифіковані сервісні центри у вашому регіоні	125

1. ПРИЗНАЧЕННЯ СИСТЕМИ

Зворотний осмос на сьогодні є найбільш довершеною технологією очищення води. Завдяки спеціальній напівпроникній мембрані, подібній за своїми характеристиками до природної мембрани живої клітини, з'явилася можливість ефективно очищувати питну воду фактично від усіх шкідливих домішок, у тому числі вірусів та нітратів (Рисунок 1). Пори такої мембрани у 200 разів менше, ніж віруси, та у 4000 разів менше, ніж бактерії. Фільтри зворотного осмосу працюють за принципом обміну речовин у живому організмі на клітинному рівні. Через мембрану клітини можуть проникати лише молекули певного розміру. Поширені побоювання деяких споживачів фільтрів зворотного осмосу щодо того, що така вода позбавлена всіх корисних для організму мікроелементів, не зовсім виправдані, оскільки 96 % необхідних людині мінералів надходять з їжею, а не з водою.

Система зворотного осмосу являє собою п'ятиступінчасту фільтраційну установку, яка працює за такою схемою. Фільтр підключається до водопроводу холодної води за допомогою вхідної муфти **4** та крана подачі води **5**. Червона трубка з'єднує кран подачі води з першою (крайньою справа) колбою модуля фільтрації.

Вхідна вода спочатку проходить через картридж попереднього очищення **9**. Картриджі попереднього очищення призначені для видалення механічних домішок, таких як іржа, пісок, мул та інших, видалення з води залишкового хлору, органічних та хлорорганічних сполук.

Після попереднього очищення вода потрапляє на четвертий (та найголовніший) етап — зворотноосмотичну мембрану **11**, яка знаходиться у спеціальному корпусі. Корпус мембрани має вхід, який через відсічний клапан (авторегулятор) з'єднується з третьою (крайньою зліва) колбою модуля фільтрації, та два виходи: один для очищеної води (пермеату), а другий — для забрудненої води (концентрату). Мембрана очищає воду на молекулярному рівні, пропускаючи через свої пори лише молекули води та розчиненого кисню.

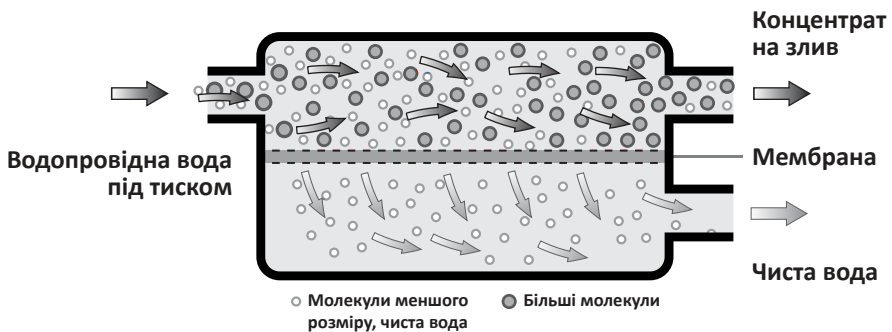


Рисунок 1

1. ПРИЗНАЧЕННЯ СИСТЕМИ

Після мембрани потік води розділяється на дві частини — концентрат, який скидається у каналізацію, та пермеат, який потрапляє у накопичувальний бак **2** для зберігання. Бак з'єднується з виходом мембрани через авторегулятор та зворотний клапан, вбудований у перехідний фітінг, який вкручується у вихід корпусу мембрани. Після авторегулятора встановлюється трійник, через який бак підключається до модуля фільтрації за допомогою жовтої трубки. На верхньому патрубку бака встановлений кульовий кран бака **6**.

Бак у складі системи виконує функцію накопичування очищеної води, оскільки мембрана побутового зворотного осмосу в режимі прямого потоку не може забезпечити достатню для споживача продуктивність. Приміром, якщо у фільтрі встановлена мембрана продуктивністю 50 GPD (7,9 л/год.), склянка об'ємом 200 мл наповнюватиметься більш ніж 1,5 хв. Тому система накопичує очищену воду у бак та надає її споживачеві за потреби, а потім знову формує запас води. Об'єм бака залежить від комплектації системи. Час наповнення бака може коливатися від 1,5 до 3 годин. Після наповнення бака авторегулятор перекриває подачу води через картриджі попереднього очищення на мембрану і система вимикається. Після відкриття крана для очищеної води **3** тиск у накопичувальному баку падає та авторегулятор автоматично відкриває подачу води через картриджі попереднього очищення для поновлення запасу води у баку. Брудна вода (концентрат) скидається у каналізацію через вихід корпусу мембрани, з'єднаний трубою червоного кольору з дренажним хомутом **8**, який встановлюється на каналізаційній трубі. Для створення протитиску, необхідного для підтримання робочого тиску всередині мембрани, у дренажну лінію встановлюється регулятор потоку **14**, який являє собою пластмасову втулку з каліброваним дросельним отвором. Регулятор потоку встановлюється у чорну трубку з боку підключення до корпусу мембрани.

3 накопичувального бака очищена вода через трійник проходить на п'ятий етап очищення — вугільний постфільтр, призначений для фінального очищення води. Він містить високоякісне активоване вугілля зі шкаралупи кокосових горіхів. Цей фільтр корегує смак та запах очищеної води, надаючи їй вишуканого солодкуватого присмаку. Вугільний постфільтр з'єднується за допомогою трубки синього кольору з краном очищеної води **3**, який встановлюється безпосередньо на мийці або кухонній стільниці.

2. ХАРАКТЕРИСТИКИ ТА КОМПЛЕКТАЦІЯ

2.1. УМОВНІ ПОЗНАЧЕННЯ ТА КОДИ МОДЕЛЕЙ

Моделі

Модель вашої системи

MO 5-36(50,75,100)
MO 5-36(50,75,100)P
MO 6-36(50,75,100)M
MO 6-36(50,75,100)MP
MO 6-36(50,75,100)UV
MO 6-36(50,75,100)UVP
MO 7-36(50,75,100)MUV
MO 7-36(50,75,100)MUVP

MO	*	_	***	****	*****
1	2	3	4	5	

1 — Тип фільтра. MO — зворотний осмос.

2 — Кількість ступенів очищення.

3 — Продуктивності зворотноосмотичної мембрани в GPD (галонів на добу)*:

36GPD	136 літрів на добу	5,6 літрів на годину
50GPD	190 літрів на добу	7,9 літрів на годину
75GPD	280 літрів на добу	11,6 літрів на годину
100GPD	380 літрів на добу	15,8 літрів на годину

*Продуктивність системи зворотного осмосу в цілому має змінний характер та залежить від ряду факторів, а саме: якості вхідної води; стану (зношеності, забиття) картриджів попереднього очищення та мембранного елемента; тиску води на вході, температури води, що подається на фільтр.

4 — Умовні позначення додаткової комплектації:

M	система додатково оснащена мінералізатором
P**	система додатково оснащена помпою для підвищення тиску
UV	система додатково оснащена ультрафіолетовою (УФ) лампою

5 — Торгова марка.

Наприклад: кодування MO775MUVPEcosoft означає, що у комплекті системи зворотного осмосу з 7 ступенями очищення встановлена мембрана продуктивністю 75 галонів на добу (11,6 л/год.), з додаткових опцій включені: мінералізатор, ультрафіолетова лампа та помпа для підвищення тиску. Торгова марка Ecosoft.

**Моделі, оснащені помпою для підвищення тиску (містять літеру "P" в моделі), призначені для підключення до однофазної електромережі змінного струму з напругою 230 В / 50 Гц.

Система укомплектована кабелем живлення з вилкою та може бути включена до встановленої належним чином розетки з заземленням, яка відповідає стандарту.

ПЕРЕД ПРОВЕДЕННЯМ ЛЮБИХ РОБІТ СИСТЕМУ ПОТРІБНО ВІДКЛЮЧИТИ ВІД ДЖЕРЕЛА ЕЛЕКТРОЕНЕРГІЇ.

УВАГА!

Встановлення та запуск даної системи має виконуватися спеціалістом, який має відповідну кваліфікацію та необхідний досвід.

Система призначена для очищення холодної води.

2. ХАРАКТЕРИСТИКИ ТА КОМПЛЕКТАЦІЯ

2.2. ТЕХНІЧНІ ХАРАКТЕРИСТИКИ

	Найменування параметра	Значення
1	Тиск на вході для системи без помпи, атм.	3-6*
2	Тиск на вході для системи з помпою, атм.	2-4,5*
3	Тиск у мембранному баку, атм.	0,4-0,6**
4	Температура вхідної води, °С	+4...+30***
5	Вага системи, кг (у базовій комплектації)	6
6	Припустима температура навколишнього середовища, °С	+5...+40***
7	Зовнішнє підключення до водопроводу, дюймів	Різьбове, 1/2
8	Габаритні розміри системи, В x Ш x Г (базова комплектація), мм	350x450x150
9	Габаритні розміри бака, В x Ш x Г, мм	350x260x260

* Якщо тиск у системи водопостачання нижчий за указане значення, необхідно вибрати систему з помпою або додатково встановити помпу. Якщо тиск у системі водопостачання вищий за вказане значення, необхідно встановити регулятор тиску на вході перед системою зворотного осмосу.

** Якщо тиск вищий або нижчий, ніж указаний, необхідно підкачати або «стравити» тиск.

*** Якщо температура вхідної води визначається у діапазоні +20...+30 °С, незначним чином знижується селективність мембрани та збільшується продуктивність, що спричиняє незначне збільшення показника TDS. Використання системи у випадках коли температура вхідної води перевищує +30 °С — не рекомендовано.

2.3. ВИМОГИ ДО ВОДИ, ЯКА ПОДАЄТЬСЯ НА СИСТЕМУ ЗВОРОТНОГО ОСМОСУ*

	Найменування показника	Значення**
1	pH	6,5-8,5
2	Мінералізація, мг/л	<1500
3	Жорсткість, мг-екв/л	<10,0
4	Вільний хлор, мг/л	<0,5
5	Залізо, мг/л	<0,3
6	Марганець, мг/л	<0,1
7	Перманганатна окиснюваність, мг O ₂ /л	<5
8	Загальне мікробне число (ЗМЧ), од/мг	<50
9	Coli-індекс	<3

* Якщо показники води, що подається на систему, не відповідають указаним вимогам, строк служби мембрани та картриджів може зменшитися.

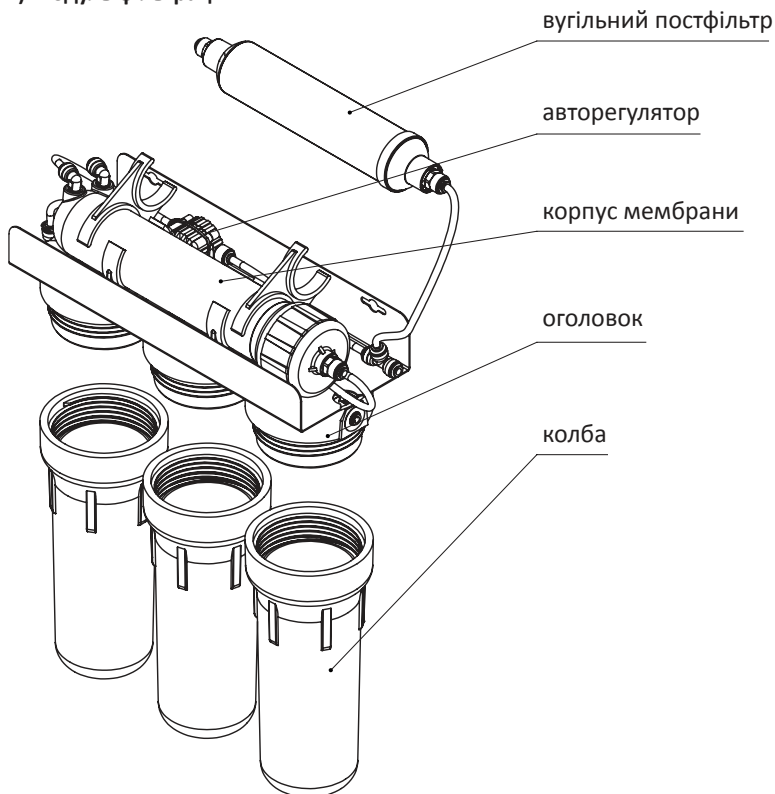
** При встановленні системи зворотного осмосу на воду зі свердловин або колодязів рекомендовано попередньо провести хімічний аналіз води. Якщо якісь показники перевищують значення, вказані у таблиці, бажано встановити додаткові фільтри перед системою зворотного осмосу. З питань підбору фільтрів варто проконсультуватися зі спеціалістами фірм, які професійно займаються очищенням води.

2. ХАРАКТЕРИСТИКИ ТА КОМПЛЕКТАЦІЯ

2.4. КОМПЛЕКТАЦІЯ СИСТЕМИ ЗВОРОТНОГО ОСМОСУ

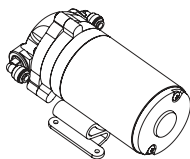
Виробник залишає за собою право внесення змін у конструкцію/комплектацію виробу, у випадку якщо ці зміни не спричиняють погіршення споживчих властивостей виробу.

1) Модуль фільтрації

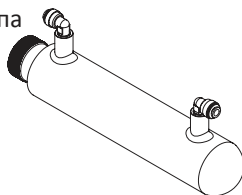


Опції:

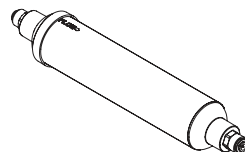
Помпа



Уф-лампа



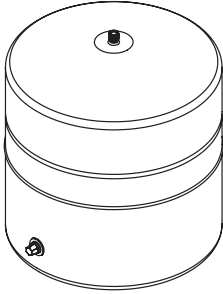
Мінералізатор
(та/чи інший постфільтр)



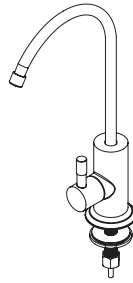
2. ХАРАКТЕРИСТИКИ ТА КОМПЛЕКТАЦІЯ

2.4. КОМПЛЕКТАЦІЯ СИСТЕМИ ЗВОРОТНОГО ОСМОСУ

2) Накопичувальний бак



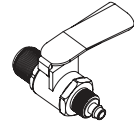
3) Кран для очищеної води



4) Вхідна муфта



5) Кран подачі води



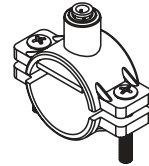
6) Кульовий кран бака



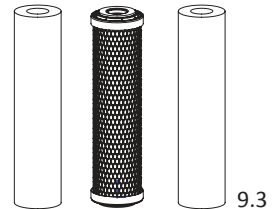
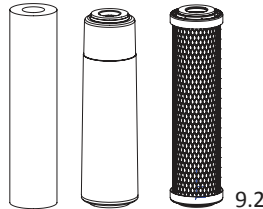
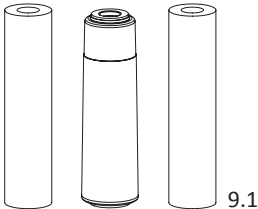
7) Комплект кольорових трубок (4 штуки)



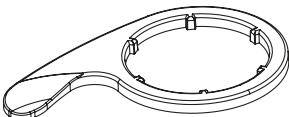
8) Дренажний комут



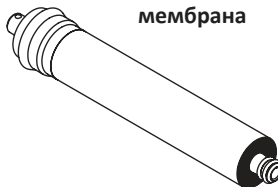
9) Комплект картриджів попереднього очищення (залежить від моделі системи)



10) Ключ для корпусів префільтрів

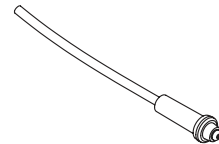


11) Зворотноосмотична мембрана



12) Регулятор потоку

(вставлений у трубку чорного кольору)

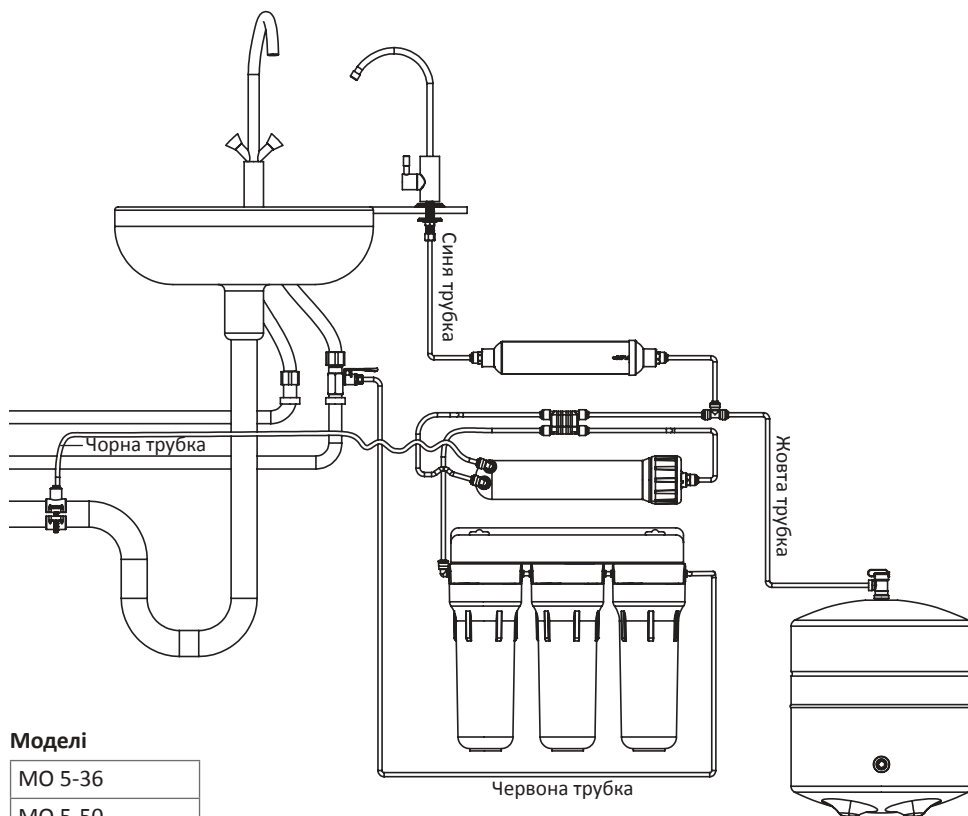


13) Стопорна кліпса — аксесуар, змонтований у модулі фільтрації, який служить для захисту від можливого від'єднання трубки у легко доступних місцях. Наявність кліпси не впливає на герметичність з'єднання. Кількість кліпс у виробі може змінюватися залежно від конструкції системи зворотного осмосу, що не впливає на працездатність.



3. СХЕМИ ПІДКЛЮЧЕННЯ

3.1. СХЕМА ПІДКЛЮЧЕННЯ СИСТЕМИ В БАЗОВІЙ КОМПЛЕКТАЦІЇ



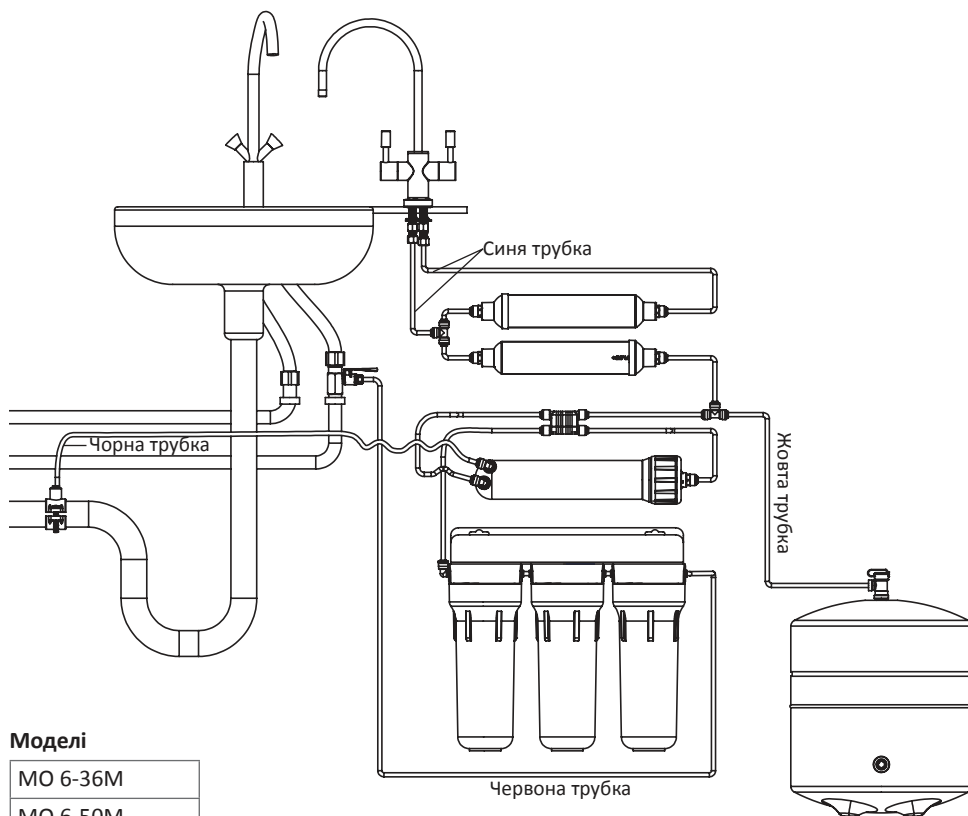
Моделі

МО 5-36
МО 5-50
МО 5-75
МО 5-100

Виробник залишає за собою право внесення змін у конструкцію/комплектацію виробу, у випадку якщо ці зміни не спричиняють погіршення споживчих властивостей виробу.

3. СХЕМИ ПІДКЛЮЧЕННЯ

3.2. СХЕМА ПІДКЛЮЧЕННЯ СИСТЕМИ З МІНЕРАЛІЗАТОРОМ



Моделі

МО 6-36М

МО 6-50М

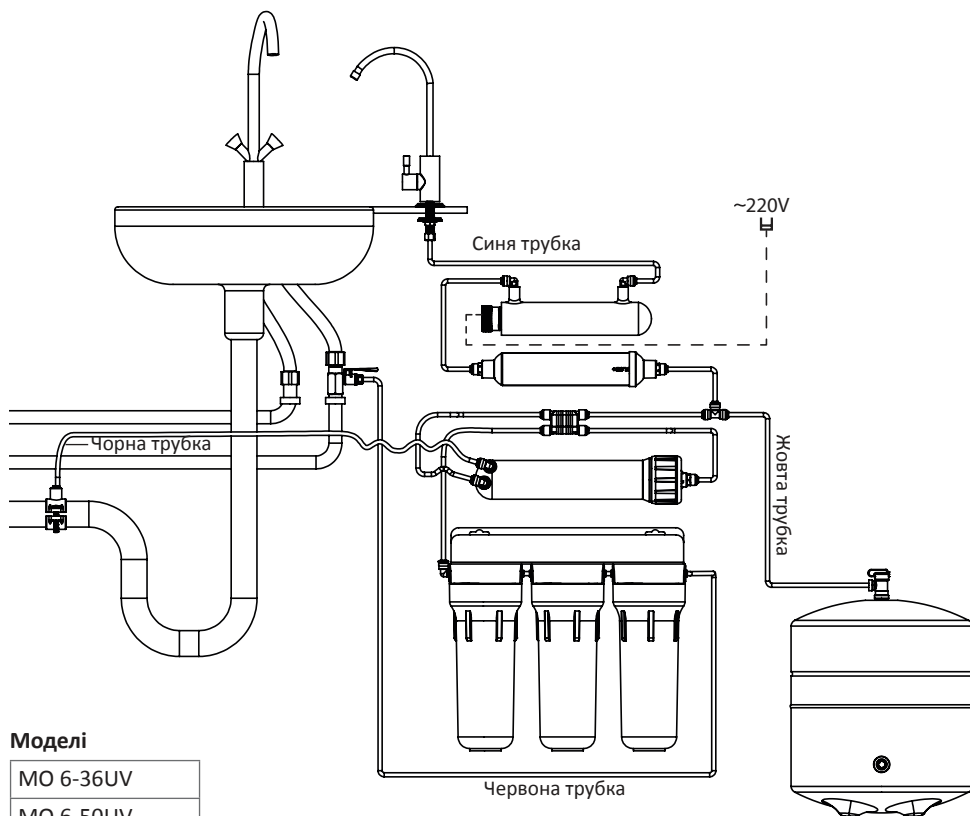
МО 6-75М

МО 6-100М

Виробник залишає за собою право внесення змін у конструкцію/комплектацію виробу, у випадку якщо ці зміни не спричиняють погіршення споживчих властивостей виробу.

3. СХЕМИ ПІДКЛЮЧЕННЯ

3.3. СХЕМА ПІДКЛЮЧЕННЯ СИСТЕМИ З УЛЬТРАФІОЛЕТОВОЮ ЛАМПОЮ



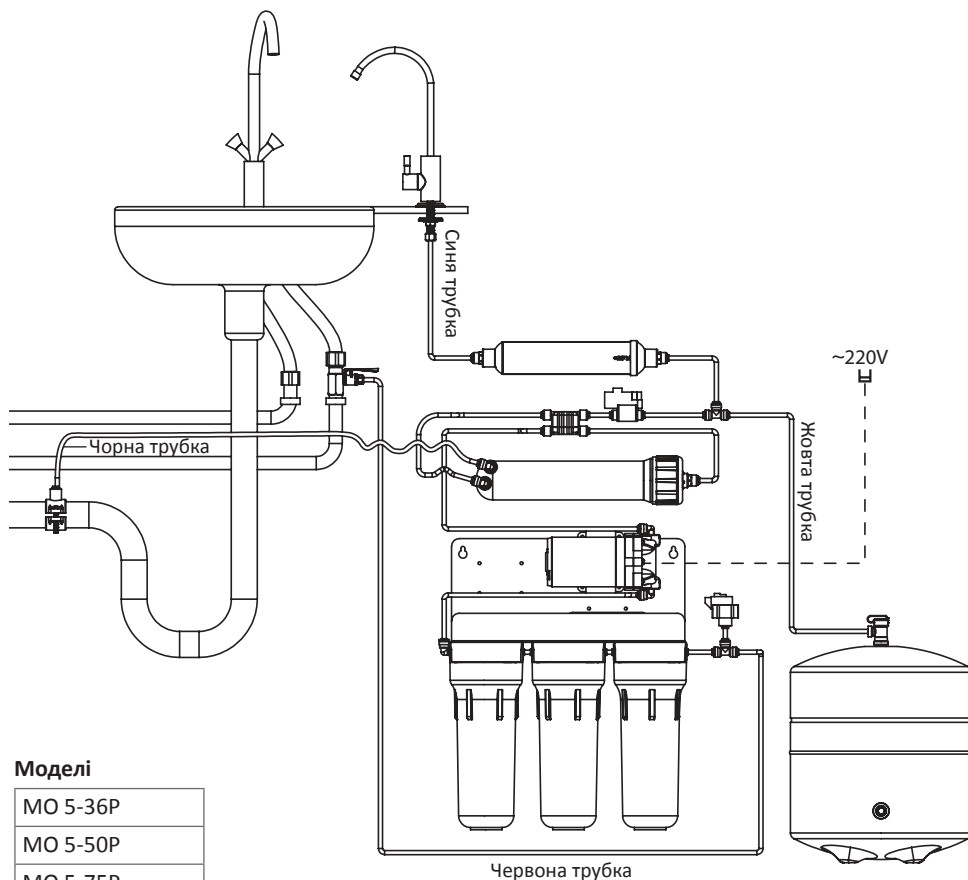
Моделі

MO 6-36UV
MO 6-50UV
MO 6-75UV
MO 6-100UV

Виробник залишає за собою право внесення змін у конструкцію/комплектацію виробу, у випадку якщо ці зміни не спричиняють погіршення споживчих властивостей виробу.

3. СХЕМИ ПІДКЛЮЧЕННЯ

3.4. СХЕМА ПІДКЛЮЧЕННЯ СИСТЕМИ З ПОМПОЮ



Моделі

МО 5-36P

МО 5-50P

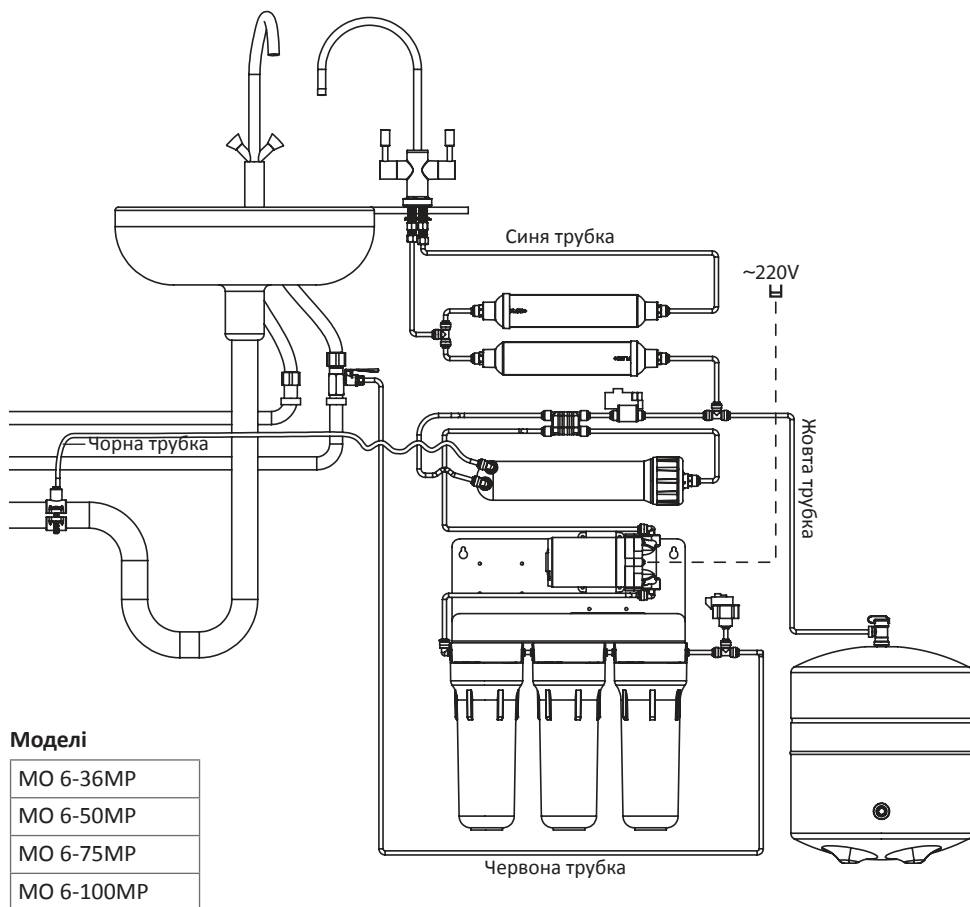
МО 5-75P

МО 5-100P

Виробник залишає за собою право внесення змін у конструкцію/комплектацію виробу, у випадку якщо ці зміни не спричиняють погіршення споживчих властивостей виробу.

3. СХЕМИ ПІДКЛЮЧЕННЯ

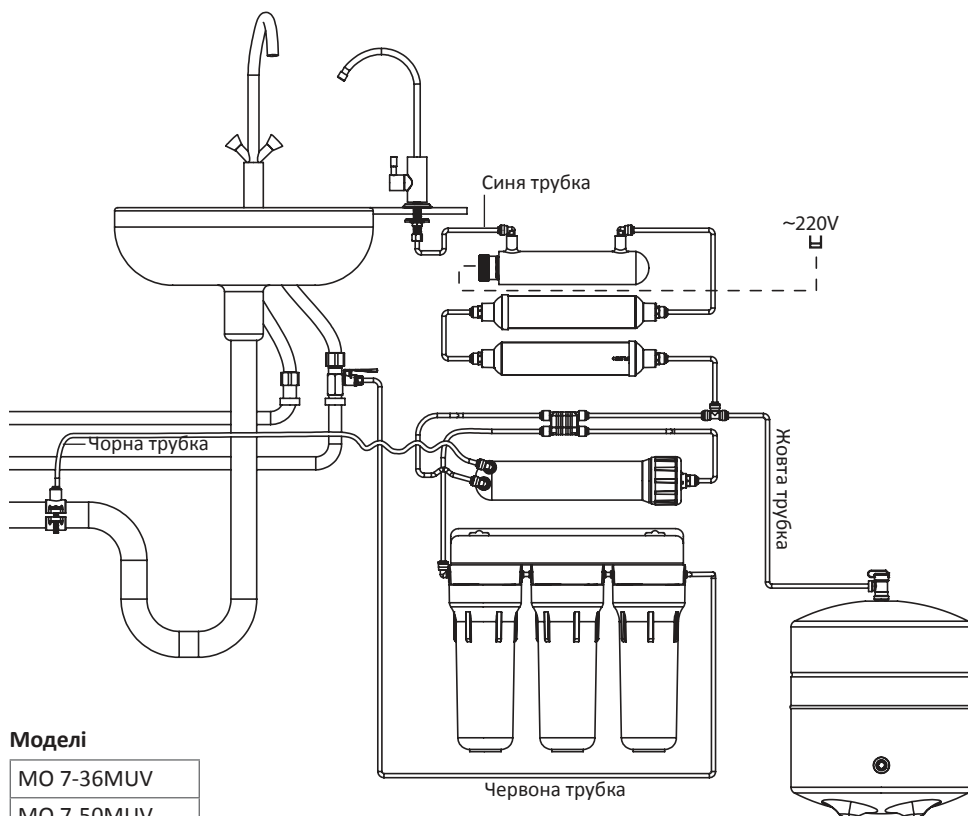
3.5. СХЕМА ПІДКЛЮЧЕННЯ СИСТЕМИ З МІНЕРАЛІЗАТОРОМ ТА ПОМПОЮ



Виробник залишає за собою право внесення змін у конструкцію/комплектацію виробу, у випадку якщо ці зміни не спричиняють погіршення споживчих властивостей виробу.

3. СХЕМИ ПІДКЛЮЧЕННЯ

3.6А. СХЕМА ПІДКЛЮЧЕННЯ СИСТЕМИ З МІНЕРАЛІЗАТОРОМ ТА УЛЬТРАФІОЛЕТОВОЮ ЛАМПОЮ З ОДИНАРНИМ КРАНOM ДЛЯ ОЧИЩЕНОЇ ВОДИ



Моделі

МО 7-36МУВ

МО 7-50МУВ

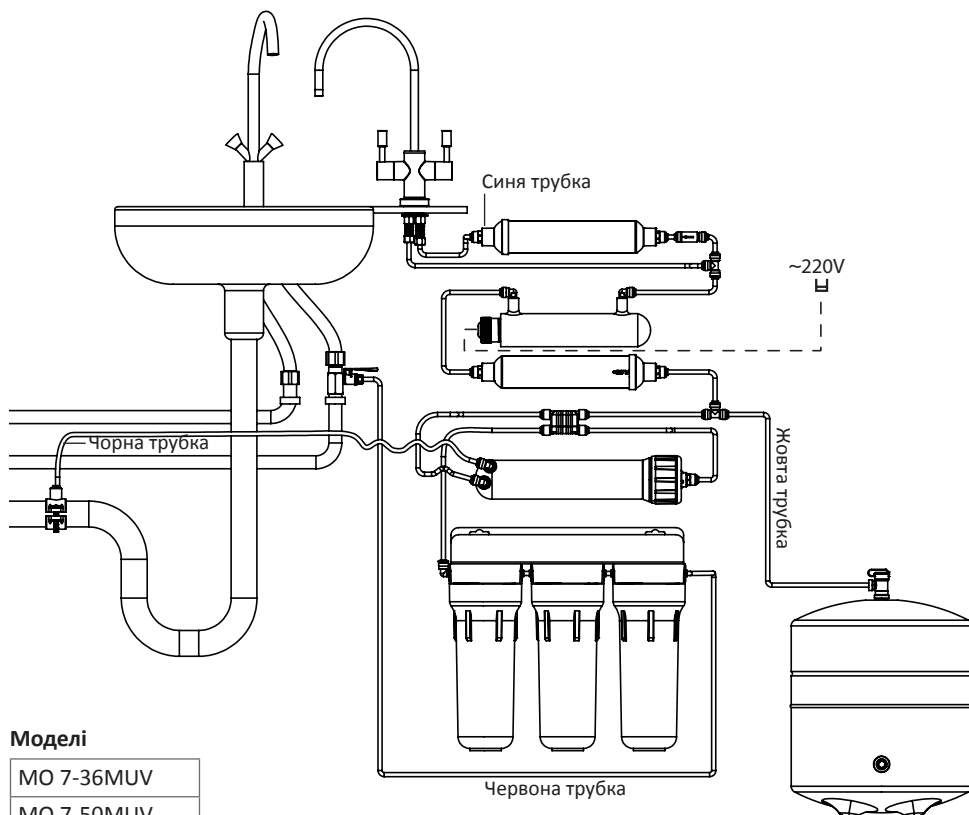
МО 7-75МУВ

МО 7-100МУВ

Виробник залишає за собою право внесення змін у конструкцію/комплектацію виробу, у випадку якщо ці зміни не спричиняють погіршення споживчих властивостей виробу.

3. СХЕМИ ПІДКЛЮЧЕННЯ

3.6Б. СХЕМА ПІДКЛЮЧЕННЯ СИСТЕМИ З МІНЕРАЛІЗАТОРОМ ТА УЛЬТРАФІОЛЕТОВОЮ ЛАМПОЮ З ПОДВІЙНИМ КРАНОМ ДЛЯ ОЧИЩЕНОЇ ВОДИ



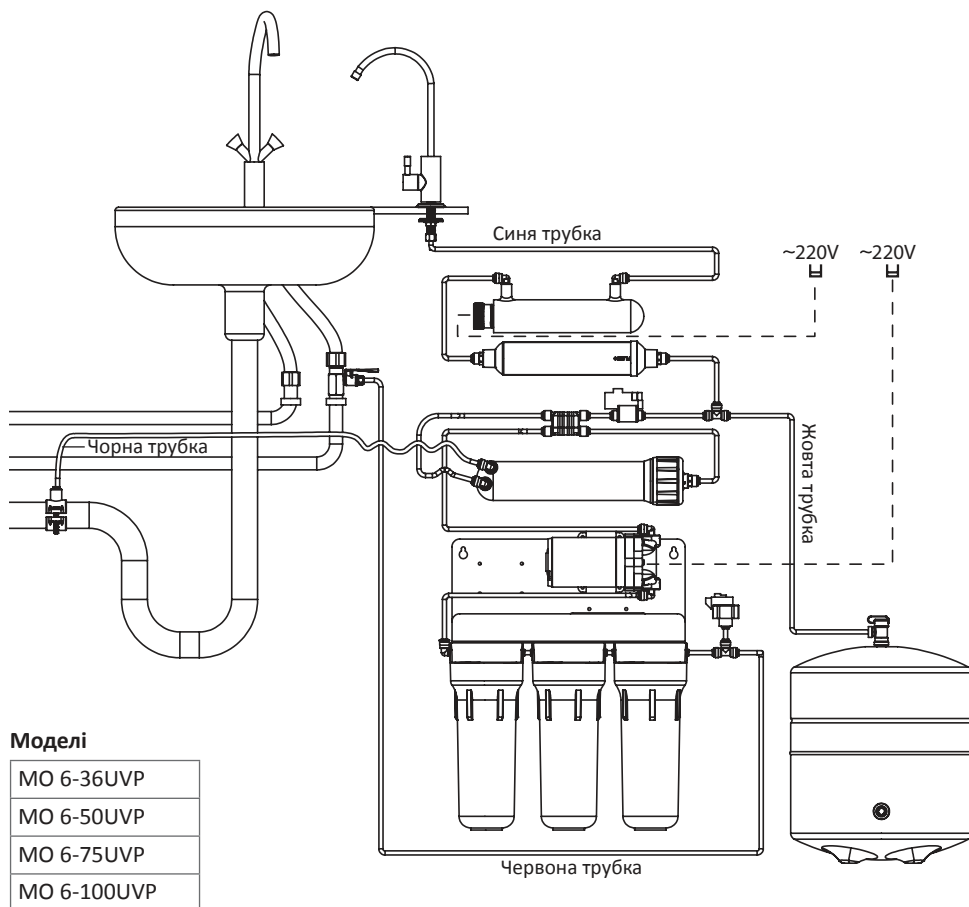
Моделі

МО 7-36MUV
МО 7-50MUV
МО 7-75MUV
МО 7-100MUV

Виробник залишає за собою право внесення змін у конструкцію/комплектацію виробу, у випадку якщо ці зміни не спричиняють погіршення споживчих властивостей виробу.

3. СХЕМИ ПІДКЛЮЧЕННЯ

3.7. СХЕМА ПІДКЛЮЧЕННЯ СИСТЕМИ З УЛЬТРАФІОЛЕТОВОЮ ЛАМПОЮ ТА ПМПОЮ

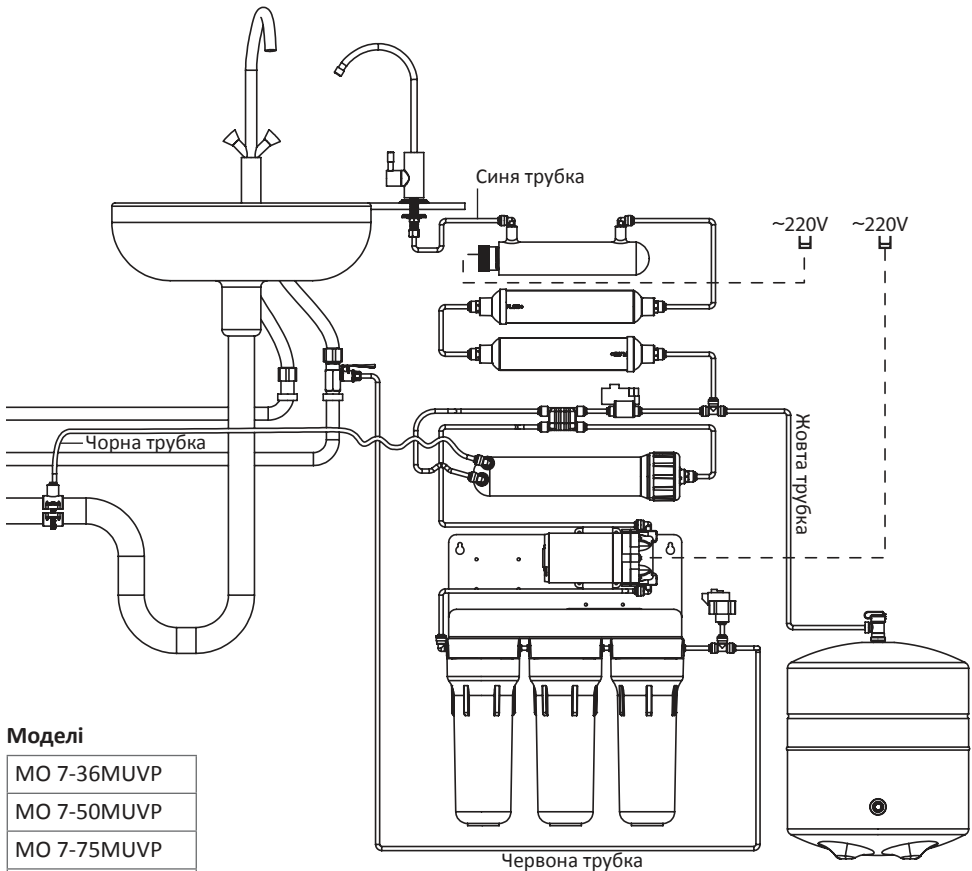


УКР

Виробник залишає за собою право внесення змін у конструкцію/комплектацію виробу, у випадку якщо ці зміни не спричиняють погіршення споживчих властивостей виробу.

3. СХЕМИ ПІДКЛЮЧЕННЯ

3.8А. СХЕМА ПІДКЛЮЧЕННЯ СИСТЕМИ З МІНЕРАЛІЗАТОРОМ, УЛЬТРАФІОЛЕТОВОЮ ЛАМПОЮ ТА ПОМПЮ З ОДИНАРНИМ КРАНОМ ДЛЯ ОЧИЩЕНОЇ ВОДИ



Моделі

МО 7-36МУVP

МО 7-50МУVP

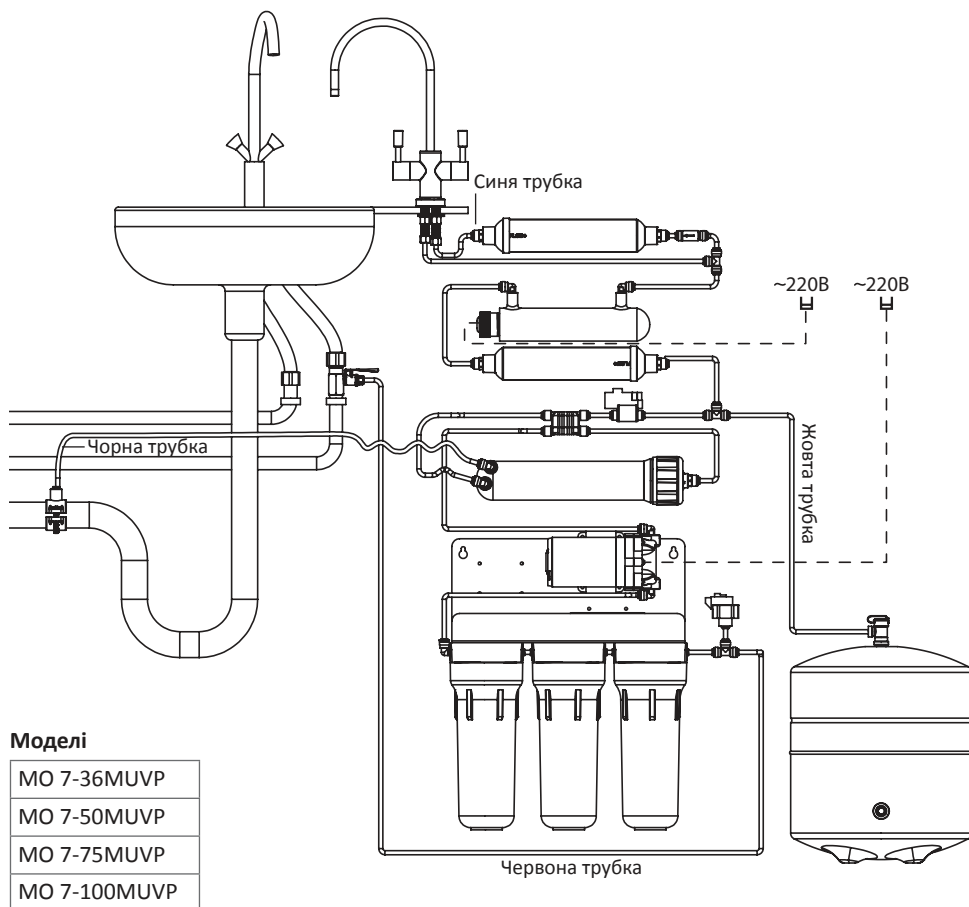
МО 7-75МУVP

МО 7-100МУVP

Виробник залишає за собою право внесення змін у конструкцію/комплектацію виробу, у випадку якщо ці зміни не спричиняють погіршення споживчих властивостей виробу.

3. СХЕМИ ПІДКЛЮЧЕННЯ

3.8Б. СХЕМА ПІДКЛЮЧЕННЯ СИСТЕМИ З МІНЕРАЛІЗАТОРОМ, УЛЬТРАФІОЛЕТОВОЮ ЛАМПОЮ ТА ПОМПОЮ З ПОДВІЙНИМ КРАНОМ ДЛЯ ОЧИЩЕНОЇ ВОДИ

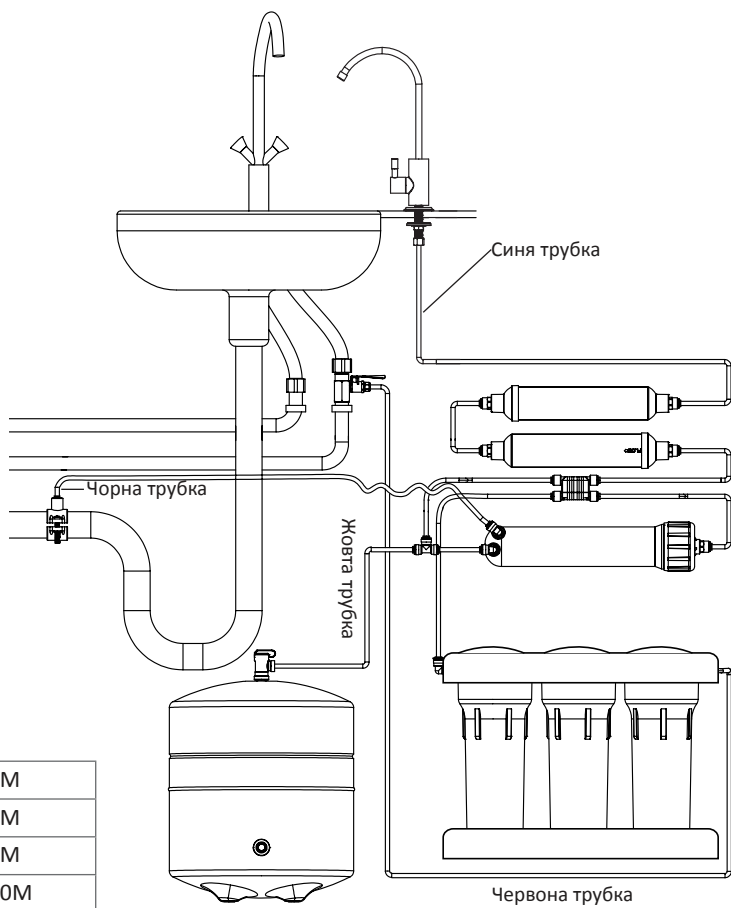


УКР

Виробник залишає за собою право внесення змін у конструкцію/комплектацію виробу, у випадку якщо ці зміни не спричиняють погіршення споживчих властивостей виробу.

3. СХЕМИ ПІДКЛЮЧЕННЯ

3.9А. СХЕМА ПІДКЛЮЧЕННЯ СИСТЕМИ P'URE З ОДИНАРНИМ КРАНОМ ДЛЯ ОЧИЩЕНОЇ ВОДИ



Моделі

МО 6-36М

МО 6-50М

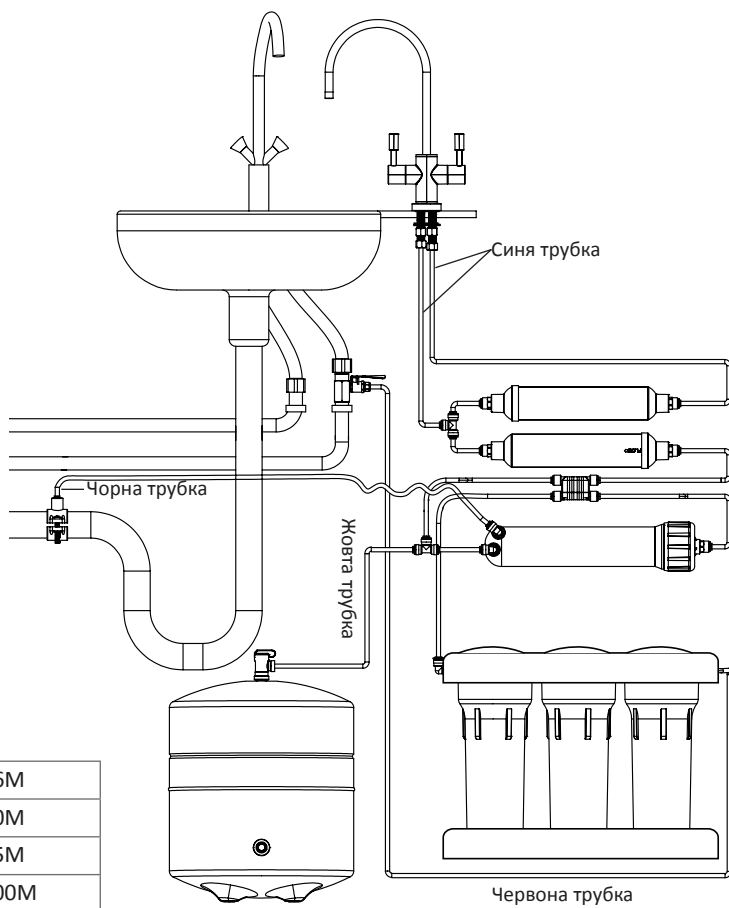
МО 6-75М

МО 6-100М

Виробник залишає за собою право внесення змін у конструкцію/комплектацію виробу, у випадку якщо ці зміни не спричиняють погіршення споживчих властивостей виробу.

3. СХЕМИ ПІДКЛЮЧЕННЯ

3.9Б. СХЕМА ПІДКЛЮЧЕННЯ СИСТЕМИ PURE З ПОДВІЙНИМ КРАНОМ ДЛЯ ОЧИЩЕНОЇ ВОДИ



Моделі

МО 6-36М

МО 6-50М

МО 6-75М

МО 6-100М

Виробник залишає за собою право внесення змін у конструкцію/комплектацію виробу, у випадку якщо ці зміни не спричиняють погіршення споживчих властивостей виробу.

4. ПОСЛІДОВНІСТЬ ДІЙ ПІД ЧАС МОНТАЖУ СИСТЕМИ ЗВОРОТНОГО ОСМОСУ

Перед встановленням системи зворотного осмосу необхідно уважно ознайомитися з даною інструкцією.

4.1. ПЕРЕВІРКА ВХІДНИХ ПАРАМЕТРІВ

1) Перевірте наявність та відповідність усіх комплектуючих. Не можна розкривати прозорий пакет, в який упаковані деталі, до перевірки, оскільки виробник не приймає претензії щодо некомплектності у випадку якщо пакет розпечатаний.

2) Необхідно перевірити відповідність:

Тиск на вході*	Тиск у мембранному баку*	Температура вхідної води*
Перевірте тиск на вході перед системою зворотного осмосу. Тиск перед системою має відповідати вказаному у пункті 2.2.	Перевірте тиск у мембранному баку. Тиск у мембранному баку має відповідати вказаному у пункті 2.2.	Необхідно перевірити температуру вхідної води. Температура вхідної води має відповідати вказаній у пункті 2.2.
*Якщо параметри вхідної води не відповідають вимогам, необхідно вжити заходів, указаних у пункті 2.2.		

— технічних характеристик (пункт 2.2);

— — якості води**, що подається на систему зворотного осмосу (пункт 2.3).

**Якщо показники якості води, що подається на систему, не відповідають указаним вимогам, необхідно звернутися до компаній, які займаються водопідготовкою.

3) Перед встановленням системи необхідно підготувати місце під мийкою. Подбайте про те, щоби було достатньо місця для системи та накопичувального бака. У випадку нестачі місця під мийкою допускається встановлення системи окремо від накопичувального бака на відстані довжини з'єднувальної трубки.

4) Підключіть систему відповідно до рекомендацій даної інструкції.

4.2. ВСТАНОВЛЕННЯ

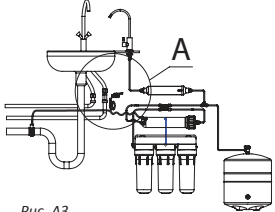
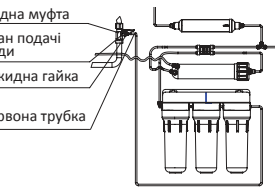
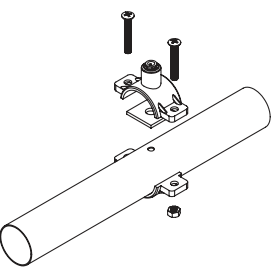

УВАГА!!! Дана система перевірена виробником на відсутність течі, тому всередині системи припустима наявність залишків води.

Перед монтажем водопровідних трубок, картриджів, мембрани необхідно ретельно вимити руки з дезінфікуючим милом.

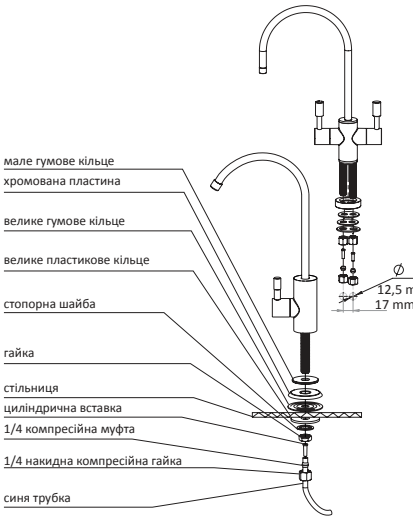
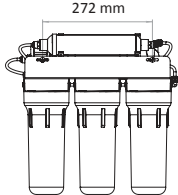
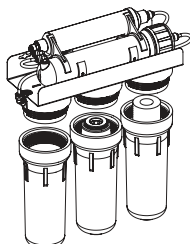
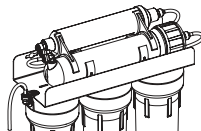
Встановлювати дану систему бажано у місцях, захищених від прямих сонячних променів, подалі від нагрівальних приладів.

1.	Дістаньте систему зворотного осмосу з упаковки та перевірте комплектацію. Не розкривайте пакет з комплектуючими. Будьте уважні, виробник не приймає претензій щодо некомплектності, у випадку якщо пакет розпечатаний.
2.	Перекрийте вентиль холодної води на вході у квартиру/дім та відкрийте водопровідний кран у місці встановлення фільтра (на мийці), щоби скинути тиск у системі, після чого закрийте кран.

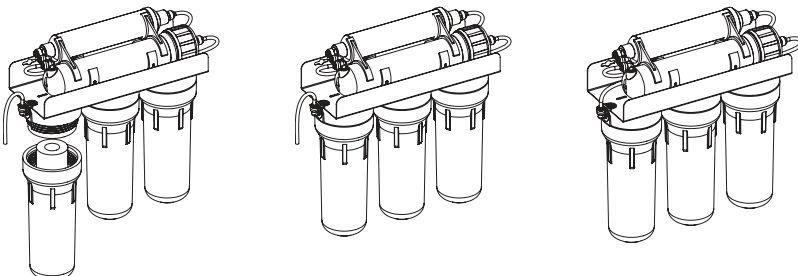
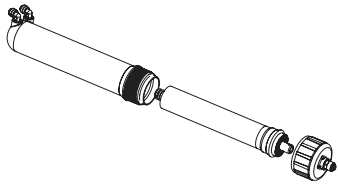
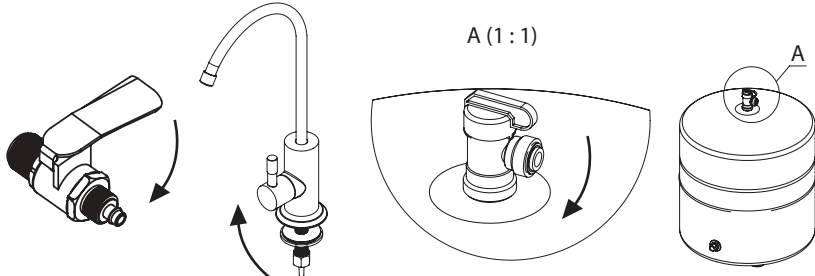
4. ПОСЛІДОВНІСТЬ ДІЙ ПІД ЧАС МОНТАЖУ СИСТЕМИ ЗВОРОТНОГО ОСМОСУ

<p>3.</p>	<p>Вкрутіть вхідну муфту 4 у магістраль холодної води. Вкрутіть кран подачі води 5 у вхідну муфту 4. Щоби уникнути можливого протікання води, необхідно використовувати для ущільнення фторопластову стрічку.</p> <p>Розмір підключень розрахований на найбільш розповсюджений розмір трубопроводу — 1/2". Якщо трубопровід вашого приміщення має інші розміри, підготуйте відповідні перехідники.</p>	 <p>вхідна муфта</p> <p>кран подачі води</p> <p>фторопластова стрічка</p>
<p>4.</p>	<p>Відкрутіть накидну гайку з штуцера крана подачі води 5 та надіньте її на червону трубку. Щільно натягніть червону трубку на штуцер крана подачі води 5 та закрутіть накидну гайку. Другий кінець червоної трубки з'єднайте зі швидкокорознімним фітінгом першої (крайньої справа) колби модуля фільтрації.</p>	 <p>вхідна муфта</p> <p>кран подачі води</p> <p>накидна гайка</p> <p>червона трубка</p>
<p>5.</p>	<p>З'єднайте дренажний хомут 8 з дренажним сифоном вашої мийки. Дренажний хомут підходить до більшості стандартних каналізаційних труб. Просвердліть на дренажній трубі вашої мийки отвір діаметром 5,0 мм, на який покладіть ущільнювач з клейкою основою (входить до комплекту). Встановіть дренажний хомут 8 так, щоби отвір на дренажній трубі збігався з отвором (фітінгом) на дренажі. За допомогою гайкового ключа затягніть гайки дренажного хомута. Візьміть трубку чорного кольору, вставте її у фітінг дренажного хомута.</p> <p>Другий кінець чорної трубки з'єднайте зі швидкокорознімним фітінгом корпусу мембрани.</p> <p>ВАЖЛИВО!!! Перевірте наявність регулятора потоку 12, який має бути встановлений у чорну трубку з боку підключення до корпусу мембрани.</p>	
<p>6.</p>	<p>На різьбову частину бака 2 щільно намотайте фторопластову стрічку та накрутіть кульовий кран бака 6.</p> <p>ВАЖЛИВО!!! Перевірте тиск у «сухому» баку. Тиск повітря має бути на рівні 0,4–0,6 бар. За необхідності збільшіть тиск насосом з манометром. За необхідності зменшити тиск — скиньте його натисненням ніпеля бака.</p>	 <p>кульовий кран бака</p> <p>фторопластова стрічка</p> <p>бак</p>

4. ПОСЛІДОВНІСТЬ ДІЙ ПІД ЧАС МОНТАЖУ СИСТЕМИ ЗВОРОТНОГО ОСМОСУ

7.	Підключення крана для очищеної води	<p>7.1 Для встановлення крана для очищеної води 3 просвердліть отвір діаметром 12,5 мм у зручному для вас місці на мийці або кухонній стільниці. УВАГА!!! Металева стружка може пошкодити вашу мийку, тому необхідно прибрати її одразу ж після того як ви просвердлили отвір. Якщо поверхня для встановлення керамічна або кам'яна, вам може знадобитися спеціальне твердосплавне свердло.</p> <p>7.2 Зберіть кран на стільниці або мийці. При цьому гайка, стопорна шайба та велике пластикове кільце повинні притискати кран до стільниці.</p> <p>7.3 Візьміть синю трубку, надіньте на неї послідовно накидку компресійну гайку та компресійну муфту, після чого вставте циліндричну вставку у трубку.</p> <p>7.4 Накрутіть накидку компресійну гайку на штуцер встановленого крана, спрямувавши трубку у середину штуцера, притискаючи компресійну муфту. Після встановлення кран має бути міцно закріплений на кухонній стільниці, а синя трубка щільно надягнута на патрубок крана.</p> <p>7.5 Підключення подвійного крана (для систем з мінералізатором) здійснюється за таким самим принципом, як і підключення одинарного.</p>  <p>мале гумове кільце хромована пластина велике гумове кільце велике пластикове кільце стопорна шайба гайка стільниця циліндрична вставка 1/4 компресійна муфта 1/4 накидна компресійна гайка синя трубка</p> <p>12,5 mm 17 mm</p>
8.	<p>Виберіть стінку, на якій ви хочете розмістити фільтр, та вкрутіть у неї 2 шурупи для кріплення фільтра (не входять до комплекту) так, щоби нижні частини колб знаходилися на відстані не менш ніж 100 мм від підлоги.</p> <p>Відстань між отворами для кріплення кронштейна складає 272 мм.</p>	 <p>272 mm</p>
9.	<p>Встановіть картриджі у першу та другу колби за напрямком руху води (справа наліво).</p>	
10.	<p>Прикрутіть всі три колби, не докладаючи зайвих зусиль.</p>	
11.	<p>Від'єднайте трубку, яка з'єднує третю за напрямком руху води колбу з авторегулятором.</p>	

4. ПОСЛІДОВНІСТЬ ДІЙ ПІД ЧАС МОНТАЖУ СИСТЕМИ ЗВОРОТНОГО ОСМОСУ

12.	<p>Відкрийте кран подачі води 5 та пропустіть через перші дві колби з картриджами 5-7 літрів води, щоби вимити вугільний пил, який може утворюватися у картриджах під час транспортування. УВАГА!!! Ця вода може вилитися через відокремлену від авторегулятора трубку, тому вам знадобиться ємність для її збору.</p>
13.	<p>Вставте картридж у третю за напрямком руху води колбу, прикрутіть колбу та знову пропустіть не менше 4 літрів води, щоби вимити вугільний пил. Закрийте кран подачі води 5 та з'єднайте раніше відокремлену трубку з авторегулятором.</p> 
14.	<p>Встановіть зворотноосмотичну мембрану 11 у призначений для неї корпус. УВАГА!!! Встановлення зворотноосмотичної мембрани здійснюється через торцевий розріз пакета. Не виймайте мембрану з упаковки та уникайте контакту рук з поверхнею мембрани.</p> 
15.	<p>Залиште кран подачі води 5 та кран очищеної води 3 відкритими на 30 хвилин. Поверніть кульовий кран 6 на бак 2 у положення «Відкрито». Закрийте кран для очищеної води 3 та уважно перевірте всі з'єднання на наявність течі. УВАГА!!! Протягом першого тижня щодня перевіряйте систему на наявність течі, робіть це час від часу і в майбутньому. У випадках вашої тривалої відсутності — відрядження чи відпустки — перекривайте подачу води на систему.</p> 
16.	<p>Після того як бак наповниться (ви почуєте, що потік води зупинився), злийте воду з бака у каналізацію, відкривши кран очищеної води 3. Після того як напір води вичерпається, закрийте кран очищеної води 3, щоби бак знову почав наповнюватися. Залежно від тиску у вашій водопровідній системі, наповнення може зайняти від 1,5 до 3 годин. Після того як бак наповниться вдруге, ви можете пити очищену воду.</p>

5. ПОСЛІДОВНІСТЬ ДІЙ ПІСЛЯ МОНТАЖУ

ПЕРЕВІРКА РОБОТИ СИСТЕМИ НА ВІДПОВІДНІСТЬ ТЕХНІЧНИМ ХАРАКТЕРИСТИКАМ

1. Оцінка часу наповнення бака. Бак наповниться в той момент, коли припинився скид концентрату в лінію каналізації. Отримане значення залежить від вихідного тиску водопроводу.
2. Визначення конверсії. Для цього потрібно: мірна ємність об'ємом не менше 1 л, секундомір. Закрийте кульовий кран бака **6** і відкрийте кран для очищеної води **3**. За допомогою мірної ємності перевірте час наповнення ємності пермеатом $t_{\text{пермеат}}$. Далі, закрийте кран очищеної води. Від'єднайте чорну дренажну трубку від фітинга дренажного хомута. Відкрийте кран очищеної води **3** і кран подачі води **5** і скористайтеся мірною ємністю для вимірювання часу наповнення того ж об'єму концентратом $t_{\text{концентрат}}$. Після цього закрийте крани **3** та **5** і відкрийте кульовий кран бака **6**. Використовуйте наступну формулу для розрахунку конверсії:

$$R = \frac{t_{\text{концентрат}}}{t_{\text{пермеат}} + t_{\text{концентрат}}} \times 100 \%$$

де R - конверсія, %; $t_{\text{концентрат}}$ - час наповнення ємності концентратом; хв, $t_{\text{пермеат}}$ - час наповнення ємності пермеатом, хв.

Залежно від якості вхідної води, температури води, тиску перед мембраною конверсія може бути різною. Нормальна величина конверсії повинна бути в діапазоні 10-20%.

3. Перевірка значення TDS вихідної води, TDS пермеата за допомогою каліброваного TDS-метра.
4. Перевірка спрацювання авторегулятора. При заповненому баку та закритому крані для очищеної води закрийте кульовий кран бака **6**. Скидання концентрату має припинитися протягом 10 хвилин.
5. Перевірка системи на наявність течі.
6. Інформування власників системи щодо правил технічного обслуговування системи, рекомендація ознайомитися з даною інструкцією.
7. Внесення запису про введення в експлуатацію у щоденник технічного обслуговування у пункті 9 цього паспорту.

6. ПРАВИЛА ЕКСПЛУАТАЦІЇ

Побутова система зворотного осмосу призначена для доочищення тільки холодної води.

Якщо час наповнення бака збільшився, це означає, що ресурс комплексу картриджів попереднього очищення вичерпаний і комплект підлягає негайній заміні. Зволікання із заміною картриджів може призвести до пошкодження або руйнування мембрани.

Щоб запобігти таким критичним ситуаціям, ми настійно рекомендуємо **замінювати комплект картриджів попереднього очищення води не рідше 1 разу на 3 місяці**.

Якщо швидкість фільтрації значно падає, вам необхідно замінити зворотноосмотичну мембрану.

Для отримання очищеної води незмінної якості ми рекомендуємо **проводити заміну зворотноосмотичної мембрани не рідше ніж 1 раз на 1-1,5 роки**.

У випадку тривалих перерв у роботі системи (більше 2 тижнів) необхідно провести дезінфекцію системи, описану у пункті 7.

Якщо ви не плануєте користуватися системою протягом тривалого часу, рекомендується перекрити подачу води на систему.

6. ПРАВИЛА ЕКСПЛУАТАЦІЇ

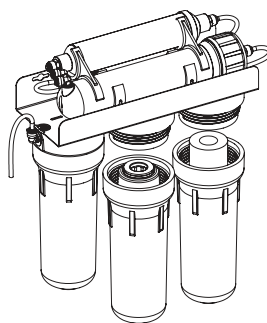
6.1. ПРИЗНАЧЕННЯ ВУЗЛІВ ТА ЇХ ЗАМІНА

Ступінь фільтрації	Назва картриджа	Періодичність заміни
Перший	Картриджі попереднього очищення для системи зворотного осмосу Ресурс залежить від витрати та якості води, що очищується	Не рідше ніж 1 раз на 3 місяці
Другий		
Третій		
Четвертий	Зворотноосмотична мембрана	1 раз на рік
П'ятий	Вугільний постфільтр	
Шостий	Мінералізатор/УФ-лампа	

УКР

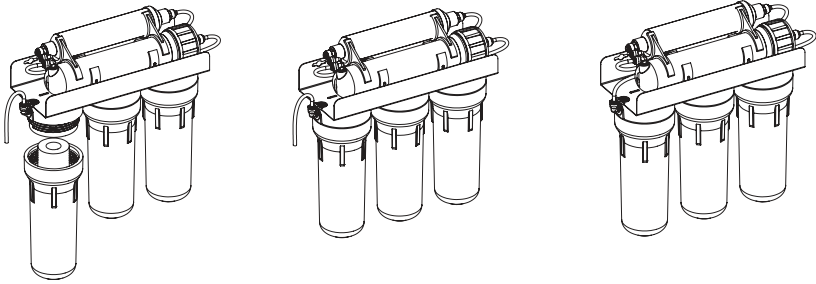
6.2. ПОСЛІДОВНІСТЬ ДІЙ ПІД ЧАС ЗАМІНИ КАРТРИДЖІВ ПОПЕРЕДЬНОГО ОЧИЩЕННЯ

1.	Перекрийте кран подачі води 5 , поверніть кульовий кран бака 6 у положення «Закрито».
2.	Ретельно вимийте руки антибактеріальним милом.
3.	Відкрутіть ключем першу та другу колби за напрямком руху води. Будьте обережні, колби заповнені водою.
4.	Видаліть відпрацьовані картриджі.
5.	Ретельно вимийте колби неароматизованим милом та чистою губкою, після чого ретельно ополосніть їх водою.
6.	Вставте нові картриджі у першу та другу колби за напрямком руху води (справа наліво).
7.	Від'єднайте трубку, яка з'єднує третю за напрямком руху води колбу з авторегулятором.
8.	Відкрийте кран подачі води 5 та пропустіть через перші дві колби з картриджами 5-7 літрів води, щоби вимити вугільний пил, який може утворюватися в картриджах під час транспортування. УВАГА!!! Ця вода буде вилитися через відокремлену від авторегулятора трубку, тому вам знадобиться ємність для її збору.



6. ПРАВИЛА ЕКСПЛУАТАЦІЇ

9. Відкрутіть ключем третю за напрямком руху води колбу. Будьте обережні, колба заповнена водою.
10. Видаліть відпрацьований картридж та ретельно вимийте колбу неароматизованим милом та чистою губкою, після чого ретельно ополосніть її водою.
11. Вставте картридж у третю за напрямком руху води колбу, прикрутіть колбу та знов пропустіть не менше 4 літрів води, щоби вимити вугільний пил. Закрийте кран подачі води **5** та з'єднайте раніше відокремлену трубку з авторегулятором.

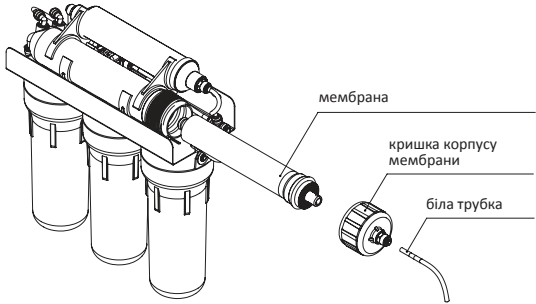


13. Відкрийте кульовий кран бака **6**.
14. Відкрийте кран подачі води на систему **5**.

6. ПРАВИЛА ЕКСПЛУАТАЦІЇ

6.3 ПОСЛІДОВНІСТЬ ДІЙ ПІД ЧАС ЗАМІНИ МЕМБРАНИ

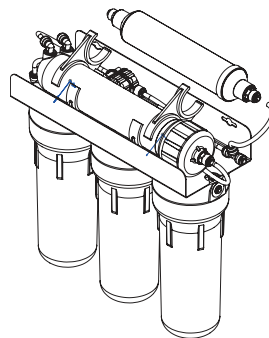
(Заміна мембрани виконується спеціалістом сервісного центру)

1.	Перекрийте кран подачі води на систему 5 , поверніть кульовий кран бака 6 у положення «Закрито».
2.	Відкрийте кран очищеної води 3 для скидання тиску в системі.
3. 4. 5.	<p>Від'єднайте білу трубку від кришки корпусу мембрани. Відкрутіть кришку корпусу мембрани. Дістаньте використану зворотноосмотичну мембрану 11 (запам'ятайте її розташування у корпусі).</p> 
6.	<p>Нанесіть мастило на гумові ущільнення нової зворотноосмотичної мембрани 11 та ущільнення кришки корпусу мембрани. УВАГА!!! Щоби не пошкодити мембрану, у якості мастила використовуйте лише харчовий гліцерин.</p>
7.	<p>Встановіть нову зворотноосмотичну мембрану у корпус, дотримуючись напрямку та положення трубки. УВАГА!!! Встановлення зворотноосмотичної мембрани здійснюється через торцевий розріз пакета. Не виймайте мембрану з упаковки та уникайте контакту рук з поверхнею мембрани.</p>
8.	Закрутіть кришку корпусу мембрани.
9.	Під'єднайте білу трубку до кришки корпусу мембрани.
10.	Закрийте кран очищеної води 3 .
11.	Відкрийте кульовий кран бака 6 .
12.	Відкрийте кран подачі води 5 .
13.	Після того як бак наповниться (ви почуєте, як потік води припиниться), злийте воду з бака у каналізацію, відкривши кран очищеної води 3 , щоби бак знову почав заповнюватися. Залежно від тиску у вашій водопровідній системі заповнення може тривати від 1,5 до 3 годин. Після того як бак наповниться вдруге, ви можете пити очищену воду.

6. ПРАВИЛА ЕКСПЛУАТАЦІЇ

6.4 ПОСЛІДОВНІСТЬ ДІЙ ПІД ЧАС ЗАМІНИ ВУГІЛЬНОГО КАРТРИДЖА ТА/АБО МІНЕРАЛІЗАТОРА

1.	Перекрийте кран подачі води на систему 5 , поверніть кульовий кран бака 6 у положення «Закрито».
2.	Відкрийте кран очищеної води 3 , щоби скинути тиск у системі.
3.	Від'єднайте трубки, які з'єднують вугільний постфільтр та/або мінералізатор з системою.
4.	Зніміть відпрацьований вугільний постфільтр та/або мінералізатор з пластикових тримачів (кліпс).
5.	Встановіть новий вугільний постфільтр та/або мінералізатор, керуючись стрілками, що позначають напрям потоку води.
6.	Під'єднайте трубки, якими вугільний постфільтр та/або мінералізатор з'єднується з системою.
7.	Відкрийте подачі води 5 . Відкрийте кульовий кран бака 6 .
9.	Злийте воду з бака у каналізацію, відкривши кран очищеної води 3 . Після того як напір води вичерпається, закрийте кран очищеної води 3 , щоби бак знову почав заповнюватися. Залежно від тиску у вашій водопровідній системі заповнення може тривати від 1,5 до 3 годин. Після того як бак наповниться вдруге, ви можете пити очищену воду.



6.5 ПОСЛІДОВНІСТЬ ДІЙ ПІД ЧАС ЗАМІНИ УЛЬТРАФІОЛЕТОВОЇ ЛАМПИ (Заміна УФ-лампи виконується спеціалістом сервісного центру)

Рекомендований строк експлуатації УФ-ламп складає 9 000 годин (приблизно 1 рік безперервної роботи).

УВАГА!!!

Не рекомендується використовувати лампу після закінчення рекомендованого строку експлуатації, оскільки інтенсивність випромінювання знижується та не забезпечується гарантоване знезараження води.

Категорично забороняється вмикати електроживлення УФ-лампи, коли випромінювач знаходиться не у металевому корпусі, та дивитися на лампу, що світиться. Це може призвести до пошкодження очей та, як наслідок, до погіршення або втрати зору.

Під час заміни УФ-лампи бажано проводити чищення кварцового кожуха.

6. ПРАВИЛА ЕКСПЛУАТАЦІЇ

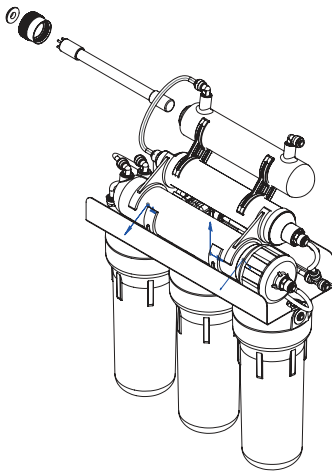
Під час чищення кожуха забороняється використовувати абразивні матеріали, оскільки це може призвести до зниження проникності УФ-випромінення та, відповідно, зниження ефективності знезаражування.

Діставати кожух із корпусу слід дуже обережно, щоби не пошкодити та не подряпати його.

Також слід обережно знімати кільця ущільнення, які знаходяться на торцях кожуха для герметизації УФ-лампи та попередження потрапляння води на лампу та електричні роз'єми. Нову УФ-лампу слід брати обережно та виключно за керамічні краї, оскільки забруднення кварцової поверхні лампи призводять до зниження інтенсивності знезаражування та до скорочення строку служби. Під час роботи з лампою необхідно користуватися бавовняними рукавицями.

УКР

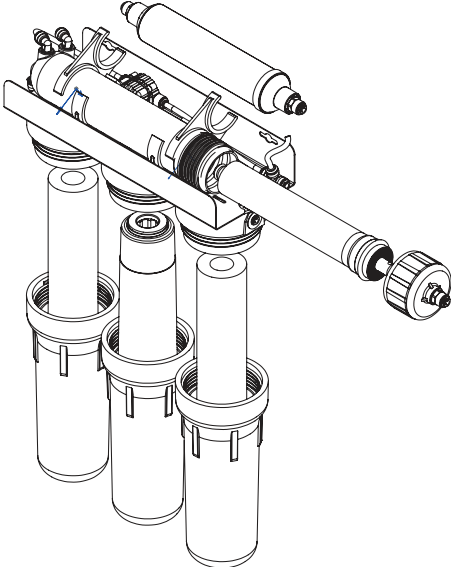
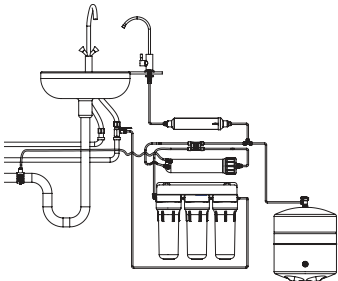
1.	Відключіть УФ-лампу від електроживлення.
2.	Перекрийте кран подачі води 5 , поверніть кульовий кран бака 6 у положення «Закрито».
3.	Зніміть з корпусу орну ПВХ-заглушку, через яку проходить електричний кабель.
4.	Тримаючи за електричний роз'єм, обережно дістаньте лампу з кварцового кожуха.
5.	Притримуючи лампу за основу, від'єднайте роз'єм електроживлення.
6.	Вставте нову лампу до половини довжини у кварцовий кожух.
7.	Правильно під'єднайте роз'єм електроживлення.
8.	Вставте лампу в кожух до упору та надіньте на корпус ПВХ-заглушку.
9.	Відновіть подачу води на установку знезаражування та перевірте, чи не була під час заміни порушена герметичність ущільнень між корпусом лампи та кварцовим кожухом.
10.	Увімкніть блок знезаражування в електромережу та переконайтеся, що нова лампа працює належним чином. Про це свідчить зелений колір індикатора на блоці живлення лампи.



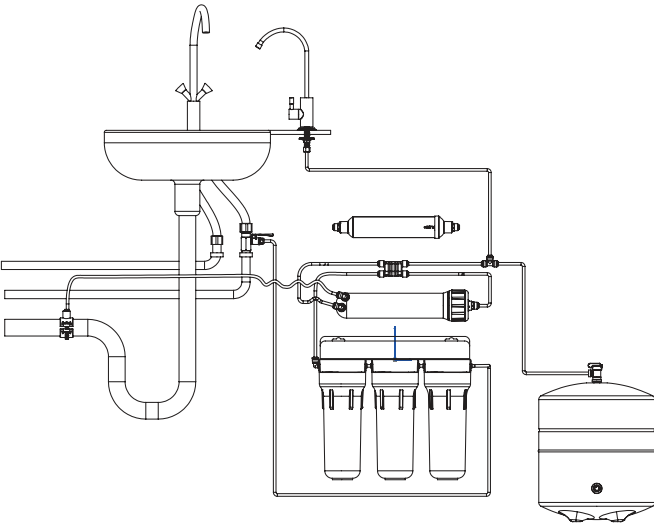
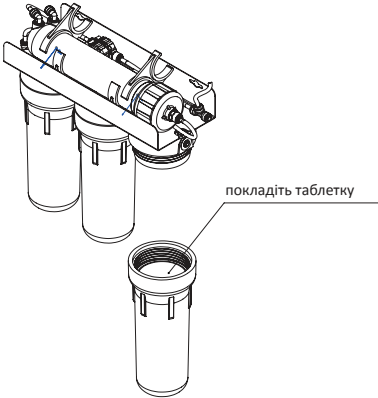
7. ДЕЗІНФЕКЦІЯ СИСТЕМИ ЗВОРОТНОГО ОСМОСУ

Дезінфекцію фільтрів питної води рекомендується проводити після їх тривалої експлуатації (~6 місяців), а також у якщо фільтр тривалий час не використовувався (~3 тижні). Також бажано проводити дезінфекцію системи при заміні картриджів.

Для дезінфекції рекомендується використовувати таблетки на основі активного хлору.

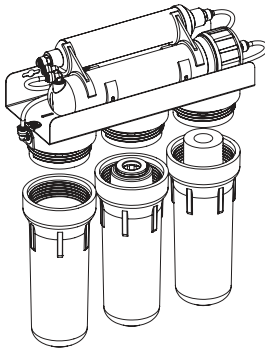
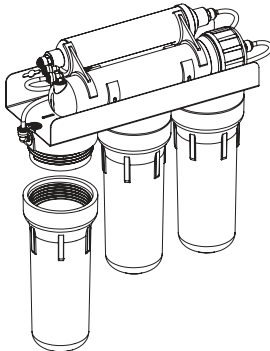
1.	Перекрийте кран подачі води 5 , поверніть кульовий кран бака 6 у положення «Закрито».
2.	<p>Дістаньте та утилізуйте картриджі попереднього очищення та вугільний постфільтр.</p> 
3.	Дістаньте зворотноосмотичну мембрану, герметично її упакуйте та покладіть у холодильник з температурою +2...+5 °C (щоби дістати мембранний елемент, можна скористатися круглогубцями).
4.	<p>Закрутіть другу та третю колби за напрямком руху води, корпус мембрани, підключіть трубку від крана очищеної води до трійника замість вугільного постфільтра.</p> 

7. ДЕЗІНФЕКЦІЯ СИСТЕМИ ЗВОРОТНОГО ОСМОСУ

4.	
5.	<p>Покладіть у першу колбу таблетку для знезаражування. Залийте колбу водою та закрутіть.</p> 
6.	Через 15 хвилин відкрийте кран для очищеної води 3 та кран подачі води 5 .
7.	У момент коли з крана очищеної води піде вода з запахом хлору, закрийте кран для очищеної води 3 та кран подачі води 5 .
8.	Залиште систему, заповнену розчином, на 2-3 години.
9.	Відкрийте кран для очищеної води 3 та кран подачі води 5 . Дочекайтеся зникнення запаху хлору у воді з крана.
10.	Встановіть у систему всі фільтруючі елементи, відкрийте кульовий кран бака 6 . Відкрийте кран подачі води 5 .
11.	Наповніть та злийте не менше двох баків води (до повного зникнення запаху хлору).

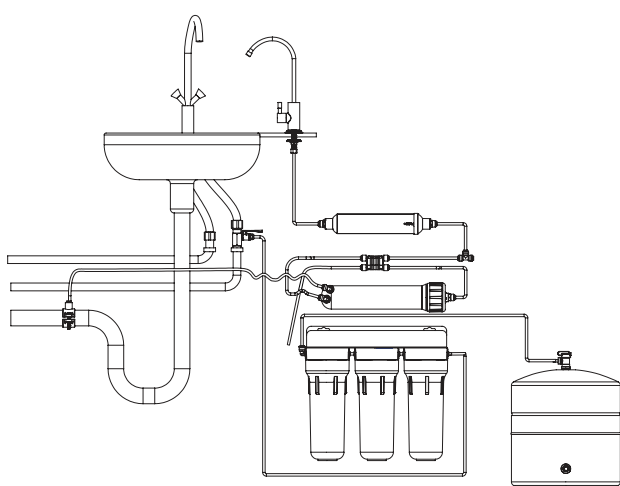
7. ДЕЗІНФЕКЦІЯ СИСТЕМИ ЗВОРОТНОГО ОСМОСУ

7.1 ДЕЗІНФЕКЦІЯ НАКОПИЧУВАЛЬНОГО БАКА

1.	Перекрийте кран подачі води 5 .
2.	Відкрийте кран для очищеної води 3 та злийте всю воду у каналізацію.
3.	Перекрийте кульовий кран бака 6 .
4.	Дістаньте картриджі попереднього очищення. 
5.	Закрутіть другу та третю колби за напрямком руху води. 

7. ДЕЗІНФЕКЦІЯ СИСТЕМИ ЗВОРОТНОГО ОСМОСУ

УКР

6.	<p>Відключіть трубку, що йде до накопичувального бака, від трійника вугільного постфільтра та під'єднайте її до фітинга третьої колби.</p> 
7.	<p>Покладіть у першу колбу таблетку для знезаражування. Залийте колбу водою та закрутіть.</p>
8.	<p>Через 15 хвилин відкрийте кульовий кран бака 6.</p>
9.	<p>Відкрийте кран подачі води 5 на 5 хвилин.</p>
10.	<p>Закрийте кульовий кран бака та залиште бак заповненим розчином на 1-2 години.</p>
11.	<p>Злийте воду з накопичувального бака 6, відключивши його трубку від фітинга третьої колби. Відновіть початкове підключення трубок.</p>
12.	<p>Встановіть картриджі у систему, відкрийте кульовий кран бака 6 та кран подачі води 5.</p>
13.	<p>Наповніть та злийте не менше трьох баків води (до повного зникнення запаху хлору).</p>

8. МОЖЛИВІ НЕСПРАВНОСТІ ТА СПОСОБИ ЇХ УСУНЕННЯ

НЕСПРАВНІСТЬ	ПРИЧИНА	ЯК УСУНУТИ
Протікання води з-під фітингів	Не герметично під'єднані трубки	Від'єднайте та заново підключіть трубки
Протікання з-під дренажного хомута	Дренажний хомут встановлений неправильно	Правильно встановіть дренажний хомут
Протікання з-під колби	Неправильно встановлене кільце ущільнення	Перевірте правильність встановлення кільця ущільнення (у жолобі колби)
	Колба закручена недостатньо щільно	Щільно закрутіть колбу
Вода з крана тече дуже слабо	Низький тиск на вході в систему	Перевірте вхідний тиск. Якщо тиск нижчий ніж 3 атм. — встановіть помпу для підвищення тиску
	Забруднені картриджі префільтра	Замініть картриджі префільтра
	Забруднена мембрана	Замініть мембрану
	Перетиснута з'єднувальна трубка	Перевірте трубку по всій довжині
	Низький тиск у накопичувальному баку	Тиск у накопичувальному баку без води має бути 0,4–0,6 атм. За необхідності підкачайте тиск насосом. Операція виконується спеціалістом сервісного центру (СЦ)
Підвищений рівень шуму	Повітря в авторегуляторі	Повітря буде витіснене з авторегулятора природним шляхом через деякий час
	Тиск на вході в систему вищий за необхідний	Встановіть регулятор тиску. Зверніться в СЦ
Стук авторегулятора	Коливання тиску в мережі	Встановіть зворотний клапан на вході водопровідної мережі в квартиру. Перевірте тиск у сухому мембранному баку. Тиск у накопичувальному баку без води має бути 0,4–0,6 атм. За необхідності підкачайте тиск насосом. Операція виконується спеціалістом сервісного центру

8. МОЖЛИВІ НЕСПРАВНОСТІ ТА СПОСОБИ ЇХ УСУНЕННЯ

Вода постійно тече в дренаж	Низький тиск на вході в систему	Перевірте вхідний тиск. Якщо тиск нижчий за 3 атм. — встановіть помпу для підвищення тиску
	Забруднені картриджі префільтра	Замініть картриджі префільтра
	Забруднена мембрана	Замініть мембрану
	Несправний авторегулятор	Перевірте працездатність авторегулятора (при закритому кульовому крані накопичувального бака авторегулятор через декілька хвилин має перекрити подачу води на систему). Зверніться в СЦ
	Несправний зворотний клапан у корпусі мембрани	При несправному зворотному клапані накопичувальний бак заповнений, скидання води в дренаж не припиняється. Зверніться в СЦ
	Низький тиск у накопичувальній ємності	Перевірте тиск у сухому накопичувальному баку. Тиск у накопичувальному баку без води має бути 0,4–0,6 атм. За необхідності підкачайте тиск насосом. Операція виконується спеціалістом сервісного центру
	Відсутній або неправильно встановлений обмежувач потоку	Перевірте наявність обмежувача потоку на виході з мембранотримача (корпусу мембрани). Він має бути вставлений у трубку чорного кольору та під'єднаний до виходу з мембранотримача. Якщо той бік трубки, у який вставлений обмежувач потоку, спрямований у каналізацію — переставте трубку (прочистивши обмежувач). Якщо обмежувача потоку немає — ймовірно, його зміло в каналізацію. Встановіть новий обмежувач потоку (під'єднайте кінець трубки з обмежувачем до виходу з мембранотримача)
Вода не витікає з дренажної трубки при подачі води на систему	Накопичувальний бак заповнений	Відкрийте кран очищеної води. Якщо після зливання очищеної води з бака почнесться злив у дренаж — система працює нормально
	Забитий обмежувач потоку	Прочистіть або замініть обмежувач потоку
	Невідповідність отвору у дренажному хомуті та каналізаційній трубі	Встановіть дренажний хомут правильно, повторно перевірте роботу системи
Вода має білий відтінок, який зникає при відстоюванні	Повітря у системі	Повітря в системі — нормальне явище на початку роботи системи. Через деякий час цей ефект проходить. Увага! Бульбашки повітря можуть з'явитися в очищеній воді у холодну пору року, при значній різниці температур води та приміщення

8. МОЖЛИВІ НЕСПРАВНОСТІ ТА СПОСОБИ ЇХ УСУНЕННЯ

Вода має присмак та запах	Ресурс вугільного постфільтра вичерпаний	Замініть картридж
	Дезінфікуючий розчин мембрани не змітий	Спустіть всю воду з бака в стік, наберіть бак повторно
	Забруднення в системі	Проведіть знезаражування системи відповідно до рекомендацій розділів 7 та 7.1
	Забруднений бак	Замініть бак Увага! Бак може забруднюватися під час тривалої експлуатації системи та при несвоєчасній заміні картриджів
Мало води в накопичувальному баку	Високий тиск у повітряній камері накопичувального бака	Тиск у накопичувальному баку без води має бути 0,4–0,6 атм. За необхідності стравіть тиск. Операція виконується спеціалістом СЦ
	Закритий кран на накопичувальному баку	Перевірте положення крана на баку

9. ЩОДЕННИК ТЕХНІЧНОГО ОБСЛУГОВУВАННЯ

Виробник настійно рекомендує уважно вести записи у щоденнику технічного обслуговування. Інформація, зафіксована у щоденнику, допоможе спеціалісту під час роботи з вашою системою зворотного осмосу. Також дана інформація може бути затребувана виробником у випадку можливих відхилень у роботі системи.

ВВЕДЕННЯ В ЕКСПЛУАТАЦІЮ

Дата введення в експлуатацію, ДД:ММ:РР	Тиск на вході	Використано знезараження, ТАК/НІ	Час наповнення бака, ГГ:ММ	Конверсія (recovery)	Рекомендації	Відомості про додатково встановлене обладнання: найменування, дата монтажу (примітка: регулятор, номіна, фільтри попереднього очищення та ін.)	Назва компанії, що проводила монтаж системи	ПІБ технічного спеціаліста, що проводив монтаж системи	Контактна інформація організації (номер телефону, адреса, електронна пошта)
--	---------------	----------------------------------	----------------------------	----------------------	--------------	--	---	--	---

РОБОТИ З ПІДКЛЮЧЕННЯ ВИКОНАНІ, ВИРІБ ПЕРЕВІРЕНИЙ, ПРЕТЕНЗІЙ ЩОДО ЯКОСТІ РОБОТИ ТА КОМПЛЕКТАЦІЇ НЕМАЄ. ВИКОНАННЯ РОБІТ ПІДТВЕРДЖУЮ

Власник обладнання _____ Підпис/ПІБ

Представник сервісного центру _____ Підпис/ПІБ

УКР

9. ЩОДЕННИК ТЕХНІЧНОГО ОБСЛУГОВУВАННЯ

ТЕХНІЧНЕ ОБСЛУГОВУВАННЯ

Найменування робіт									
Витратні матеріали, які були використані при технічному обслуговуванні									
Проведена дезінфекція системи / бака									
Час наповнення бака, чч:мм									
Співвідношення пермеат/концентрат									
Дата технічного обслуговування									
Назва компанії, яка виконувала технічне обслуговування									
ПІБ спеціаліста									
Роботи виконані, претезії до якості виконаної роботи немає. Підпис власника обладнання									

10. БЕЗПЕКА ЗДОРОВ'Я ТА НАВКОЛИШНЬОГО СЕРЕДОВИЩА

Виріб не чинить хімічного, радіоактивного, електрохімічного впливу на навколишнє середовище. Не належить до шкідливих за ступенем дії на організм людини, відповідає санітарному законодавству України при використанні за призначенням.

11. ПРАВИЛА КУПІВЛІ

Купівлю бажано здійснювати у авторизованих центрах продажів.

При купівлі необхідно перевірити цілісність упаковки, наявність механічних пошкоджень та інших відхилень, комплектацію (не розкриваючи пакет), наявність супроводжувальної документації, зокрема інструкції та гарантійного талона.

УКР

12. ТРАНСПОРТУВАННЯ ТА ЗБЕРІГАННЯ

Транспортування виробу допускається будь-яким транспортним засобом (крім неопалюваних у холодну пору року) відповідно до правил перевезення вантажів, які діють на кожному виді транспорту.

Під час вантажно-розвантажувальних робіт та транспортування необхідно дотримуватися вимог маніпуляційних знаків на упаковці.

Вироби мають зберігатися у закритих приміщеннях, де виключена можливість механічних пошкоджень, впливу вологи та хімічно активних речовин. Вироби мають зберігатися в упаковці виробника при температурі навколишнього середовища від +5 до +40 °C та відносній вологості 80 %, на відстані не менше ніж 1 м від опалювальних приладів.

13. ГАРАНТІЙНІ ЗОБОВ'ЯЗАННЯ

Ми вдячні вам за те, що ви придбали систему зворотного осмосу виробництва компанії Ecosoft.

Ми сподіваємось, що дана система служитиме вам довго та даруватиме вам і вашій родині задоволення від чистої питної води.

Виробник гарантує, що дана система очищення води не містить виробничих дефектів та що такі дефекти не виявляться протягом гарантійного строку, вказаного в гарантійному талоні, з моменту реалізації зі складу виробника, у випадку якщо система очищення встановлена та працює відповідно до технічних вимог та умов експлуатації.

Щоб уникнути непорозумінь, переконливо просимо вас уважно вивчити інструкцію з підключення та експлуатації системи зворотного осмосу, умови гарантійних зобов'язань, перевірити правильність заповнення гарантійного талону, наявність документа, що підтверджує придбання (касовий, товарний чек, накладна, акт введення в експлуатацію). Гарантійний талон дійсний тільки за наявності правильно вказаних: моделі, дати продажу,

чітких печаток фірми-продавця. Для правильного встановлення системи детально вивчіть інструкцію з її підключення та експлуатації або зверніться за допомогою до кваліфікованого спеціаліста.

Виробник не несе відповідальності за будь-яке пошкодження або будь-яку іншу шкоду, у тому числі втрачену вигоду, яка виникла випадково або внаслідок експлуатації або неможливості експлуатації цього виробу.

Матеріальна відповідальність Виробника відповідно до цієї Гарантії не може перевищувати вартості цього фільтра.

Гарантійні зобов'язання не розповсюджуються на:

- змінні елементи (картриджі, зворотноосмотичну мембрану, вугільний постфільтр, мінералізатор та інші змінні елементи, якими може бути укомплектована система);
- електричне обладнання за відсутності в електромережі заземлення, а також за відсутності стабілізатора напруги;
- комплектуючі, які потребують заміни в результаті їхнього зношення;
- несправності та неполадки, які виникли внаслідок несвоєчасної заміни змінних елементів, строки якої вказані у даній Інструкції з експлуатації, а також при використанні змінних елементів інших виробників.

Всі претензії щодо якості води, смаку, запаху та інших властивостей води, очищеної за допомогою даного фільтра, приймаються лише за наявності підтверджуючого протоколу аналізу, виконаного дослідною акредитованою лабораторією.

Випадки, не передбачені даною Гарантією, регулюються Законодавством.

Стандартне підключення працівником сервісної служби

Стандартне підключення виконується тільки на труби діаметром 1/2 дюйма за наявності вентиля для підключення води безпосередньо у квартирі.

Перелік робіт, що виконує працівник сервісної служби при стандартному підключенні:

- встановлення вхідної муфти та крана подачі води у водопровідну трубу;
 - встановлення крана для очищеної води на мийку або стільницю;
 - встановлення модуля фільтрації, дренажного хомута та підключення кольоровими трубками;
 - перевірка системи на герметичність робочих вузлів та коректності роботи в цілому;
 - заповнення акту виконаних робіт;
- заповнення журналу технічного обслуговування.

Додатково працівник сервісної служби може запропонувати та встановити:

- регулятор тиску;
- компенсатор гідроудару;
- систем захисту від протікання води;
- інше обладнання, яке покращить роботу основного обладнання;
- сервісне обслуговування.

Додатково оплачуються:

- транспортні витрати сервісної служби;
- виїзд сервісної служби у неробочий час;
- підключення до наявних точок водопостачання, де не забезпечене гнучке з'єднання та потрібна зміна конструкції водопроводу з застосуванням спеціального інструменту та додаткових матеріалів та комплектуючих;
- встановлення крана для очищеної води на поверхні, виготовлений з матеріалу, який потребує застосування спеціального обладнання (чавун, штучний камінь, керамограніт та інші штучні матеріали);
- встановлення регулятора тиску
- встановлення компенсатора гідроудару;
- встановлення системи захисту від протікання води;
- встановлення іншого обладнання, яке покращить роботу основного обладнання;
- сервісне обслуговування.

Сервісна служба не несе відповідальності за стан підвідних водопровідних труб та сантехнічної арматури покупця. Незадовільний стан підвідних водопровідних труб, сантехнічної арматури та невиконання покупцем необхідних згідно з інструкцією з експлуатацією вимог для підключення фільтра є підставою для відмови у наданні послуг з підключення.

УВАГА!!! У випадку самостійного підключення системи виробник не несе відповідальності та не приймає претензії, які можуть бути викликані неправильним підключенням та некоректною роботою системи в цілому.

14. СЕРТИФІКОВАНІ СЕРВІСНІ ЦЕНТРИ У ВАШОМУ РЕГІОНІ

ДЛЯ НОТАТОК

СОДЕРЖАНИЕ

1	Назначение системы	128
2	Характеристики и комплектация	130
2.1	Условные обозначения и коды моделей	130
2.2	Технические характеристики	131
2.3	Требования к воде, подаваемой на систему обратного осмоса	131
2.4	Комплектация системы обратного осмоса	132
3	Схемы подключения	134
3.1	Схема подключения системы в базовой комплектации	134
3.2	Схема подключения системы с минерализатором	135
3.3	Схема подключения системы с ультрафиолетовой лампой	136
3.4	Схема подключения системы с помпой	137
3.5	Схема подключения системы с минерализатором и помпой	138
3.6А	Схема подключения системы с минерализатором и ультрафиолетовой лампой с одинарным краном для очищенной воды	139
3.6Б	Схема подключения системы с минерализатором и ультрафиолетовой лампой с двойным краном для очищенной воды	140
3.7	Схема подключения системы с ультрафиолетовой лампой и помпой	141
3.8А	Схема подключения системы с минерализатором, ультрафиолетовой лампой и помпой с одинарным краном для очищенной воды	142
3.8Б	Схема подключения системы с минерализатором, ультрафиолетовой лампой и помпой с двойным краном для очищенной воды	143
3.9А	Схема подключения системы P'URE с одинарным краном для очищенной воды	144
3.9Б	Схема подключения системы P'URE с двойным краном для очищенной воды	145
4	Последовательность действий при монтаже системы обратного осмоса	146
4.1	Проверка входящих параметров	146
4.2	Установка	146
5	Последовательность действий после монтажа	150
6	Правила эксплуатации	150
6.1	Назначение узлов и их замена	151
6.2	Последовательность действий при замене картриджей предварительной очистки	151
6.3	Последовательность действий при замене мембраны	153
6.4	Последовательность действий при замене угольного картриджа и/или минерализатора	154
6.5	Последовательность действий при замене ультрафиолетовой лампы	154
7	Дезинфекция систем обратного осмоса	156
7.1	Дезинфекция накопительного бака	158
8	Возможные неисправности и способы их устранения	160
9	Дневник технического обслуживания	163
10	Безопасность здоровья и окружающей среды	165
11	Правила покупки	165
12	Транспортировка и хранение	165
13	Гарантийные обязательства	165
14	Сертифицированные сервисные центры в вашем регионе	167

1. НАЗНАЧЕНИЕ СИСТЕМЫ

Обратный осмос на сегодняшний день является наиболее совершенной технологией очистки воды. Благодаря специальной полупроницаемой мембране, подобной по своим характеристикам природной мембране живой клетки, появилась возможность эффективно очищать питьевую воду фактически от всех вредных примесей, включая нитраты и вирусы (Рисунок 1). Поры такой мембраны в 200 раз меньше, чем вирусы, и в 4000 раз меньше, чем бактерии. Фильтры обратного осмоса работают по принципу обмена веществ в живом организме на клеточном уровне. Сквозь мембрану клетки могут проникать только молекулы определенного размера. Распространенные опасения некоторых потребителей фильтров обратного осмоса относительно того, что такая вода лишена всех полезных для организма микроэлементов, не совсем оправданы, поскольку 96% необходимых человеку минералов поступают с пищей, а не с водой.

Система обратного осмоса представляет собой пятиступенчатую фильтрационную установку, работающую по такой схеме. Фильтр подключается к водопроводу подачи холодной воды с помощью входной муфты **4** и крана подачи воды **5**. Красная трубка соединяет кран подачи воды с первой (крайней правой) колбой модуля фильтрации.

Входящая вода сначала проходит через картриджи предварительной очистки **9**. Картриджи предварительной очистки предназначены для удаления механических примесей, таких как ржавчина, песок, ил и др., удаления из воды остаточного хлора, органических и хлорорганических соединений.

После прохождения предварительной очистки вода поступает на четвертый (и самый главный) этап – обратноосмотическую мембрану **11**, которая находится в специальном корпусе. Корпус мембраны имеет вход, который через отсечный клапан (авторегулятор) соединяется с третьей (крайней левой) колбой модуля фильтрации, и два выхода: один для очищенной воды (пермеата), а второй – для загрязненной воды (концентрата). Мембрана очищает воду на молекулярном уровне, пропуская через свои поры только молекулы воды и растворенного кислорода.

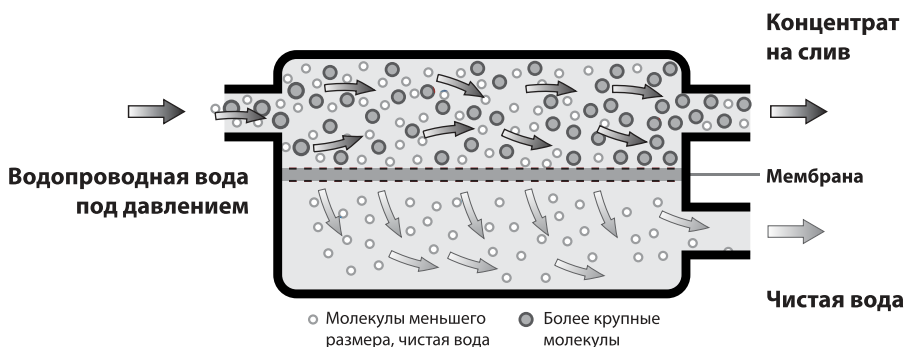


Рисунок 1

1. НАЗНАЧЕНИЕ СИСТЕМЫ

После мембраны поток воды разделяется на две части – концентрат, который сбрасывается в канализацию, и пермеат, который поступает в накопительный бак **2** для хранения. Бак соединяется с выходом мембраны через авторегулятор и обратный клапан, встроенный в переходной фитинг, который вкручивается в выход корпуса мембраны. После авторегулятора устанавливается тройник, через который бак подключается к модулю фильтрации с помощью желтой трубки. На верхнем патрубке бака установлен шаровой кран бака **б**.

Бак в составе системы выполняет функцию накопления очищенной воды, поскольку мембрана бытового обратного осмоса в режиме прямого потока не может обеспечить достаточную для пользователя производительность. Например, если в фильтре установлена мембрана производительностью 50 GPD (7,9 л/ч), то стакан объемом 200 мл будет наполняться более чем 1,5 мин. Поэтому система накапливает очищенную воду в баке и предоставляет ее потребителю по необходимости, а затем снова формирует запас воды. Объем бака зависит от комплектации системы. Время наполнения бака может колебаться от 1,5 до 3 часов. После наполнения бака авторегулятор перекрывает подачу воды через картриджи предварительной очистки на мембрану и система выключается. После открытия крана для очищенной воды **3** давление воды в накопительном баке падает и авторегулятор автоматически открывает подачу воды через картриджи предварительной очистки на мембрану для возобновления запаса воды в баке. Грязная вода (концентрат) сбрасывается в канализацию через выход корпуса мембраны, соединенный трубкой черного цвета с дренажным хомутом **8**, который устанавливается на канализационной трубе. Для создания противодействия, необходимого для поддержания рабочего давления внутри мембраны, в дренажную линию устанавливается регулятор потока **14**, который представляет собой пластмассовую втулку с калиброванным дроссельным отверстием. Регулятор потока устанавливается в черную трубку со стороны подключения к корпусу мембраны.

Из накопительного бака очищенная вода через тройник проходит на пятый этап очистки – угольный постфильтр, предназначенный для финальной очистки воды. Он содержит высококачественный активированный уголь из скорлупы кокосовых орехов. Этот фильтр корректирует вкус и запах очищенной воды, придавая ей изысканный сладковатый привкус. Угольный постфильтр соединяется с помощью трубки синего цвета с краном очищенной воды **3**, который устанавливается непосредственно на мойке или кухонной столешнице.

2. ХАРАКТЕРИСТИКИ И КОМПЛЕКТАЦИЯ

2.1. УСЛОВНЫЕ ОБОЗНАЧЕНИЯ И КОДЫ МОДЕЛЕЙ

Модели

MO 5-36(50,75,100)
MO 5-36(50,75,100)P
MO 6-36(50,75,100)M
MO 6-36(50,75,100)MP
MO 6-36(50,75,100)UV
MO 6-36(50,75,100)UVP
MO 7-36(50,75,100)MUV
MO 7-36(50,75,100)MUVP

Модель вашей системы

MO	*	_	***	****	*****
1	2	3	4	5	

1 — Тип фильтра. MO – обратный осмос.

2 — Количество ступеней очистки.

3 — Производительности обратноосмотической мембраны в GPD (галлонов в сутки)*:

36GPD	136 литров в сутки	5,6 литров в час
50GPD	190 литров в сутки	7,9 литров в час
75GPD	280 литров в сутки	11,6 литров в час
100GPD	380 литров в сутки	15,8 литров в час

*Производительность системы обратного осмоса в целом носит переменный характер и зависит от ряда факторов, а именно: качества исходной воды; состояния (износа, забивания) картриджной предварительной очистки, мембранного элемента; давления воды на входе; температуры подаваемой воды.

4 — Условные обозначения дополнительной комплектации:

M	система дополнительно оборудована минерализатором
P**	система дополнительно оборудована помпой для повышения давления
UV	система дополнительно оборудована ультрафиолетовой (УФ) лампой

5 — Торговая марка

Например: кодировка MO775MUVP Ecosoft означает, что в комплекте системы обратного осмоса с 7 ступенями очистки установлена мембрана производительностью 75 галлонов в сутки (11,6 л/ч), из дополнительных опций включены — минерализатор, ультрафиолетовая лампа и помпа для повышения давления. Торговая марка Ecosoft.

**Модели, оборудованные помпой для повышения давления (содержат букву “P” в модели), предназначены для подключения к однофазной электросети переменного тока с напряжением 230 В / 50 Гц.

Система укомплектована кабелем питания с вилкой и может быть включена в установленную надлежащим образом розетку с заземлением, соответствующую стандарту.

ПЕРЕД ПРОВЕДЕНИЕМ ЛЮБЫХ РАБОТ СИСТЕМУ НЕОБХОДИМО ОТКЛЮЧИТЬ ОТ ИСТОЧНИКА ЭЛЕКТРОЭНЕРГИИ.

ВНИМАНИЕ!

Установка и запуск данной системы должны осуществляться специалистом, который имеет соответствующую квалификацию и необходимый опыт.

Система предназначена для очистки холодной воды.

2. ХАРАКТЕРИСТИКИ И КОМПЛЕКТАЦИЯ

2.2. ТЕХНИЧЕСКИЕ ХАРАКТЕРИСТИКИ

	Наименование параметра	Значение
1	Давление на входе для системы без помпы, атм.	3-6*
2	Давление на входе для системы с помпой, атм.	2-4,5*
3	Давление в мембранном баке, атм.	0,4-0,6**
4	Температура входящей воды, °С	+4... +30***
5	Вес системы, кг (в базовой комплектации)	6
6	Допустимая температура окружающей среды, °С	+5...+40***
7	Внешнее подключение к водопроводу, дюймов	Резьбовое, 1/2
8	Габаритные размеры системы, В x Ш x Г (базовая комплектация), мм	350x450x150
9	Габаритные размеры бака, В x Ш x Г, мм	350x260x260

* Если давление в системе водоснабжения ниже указанного значения, необходимо выбрать систему с помпой или дополнительно установить помпу. Если давление в системе водоснабжения выше указанного значения, необходимо установить регулятор давления на входе перед системой обратного осмоса.

** Если давление ниже или выше указанного, необходимо подкачать или «сравить» давление.

*** Если температура входящей воды находится в диапазоне +20...+30 °С, незначительно снижается селективность мембраны и увеличивается производительность, что влечет за собой незначительное увеличение показателя TDS. Использование системы в случаях, когда температура входящей воды превышает +30 °С – не рекомендовано.

PUC

2.3. ТРЕБОВАНИЯ К ВОДЕ, ПОДАВАЕМОЙ НА СИСТЕМУ ОБРАТНОГО ОСМОСА*

	Наименование показателя	Значение**
1	pH	6,5-8,5
2	Минерализация, мг/л	<1500
3	Жесткость, мг-экв/л	<10,0
4	Свободный хлор, мг/л	<0,5
5	Железо, мг/л	<0,3
6	Марганец, мг/л	<0,1
7	Перманганатная окисляемость, мг O ₂ /л	<5
8	Общее микробное число (ОМЧ), ед/мл	<50
9	Coli-индекс	<3

* Если показатели воды, подаваемой на систему, не соответствуют указанным требованиям, срок службы мембраны и картриджей может уменьшиться.

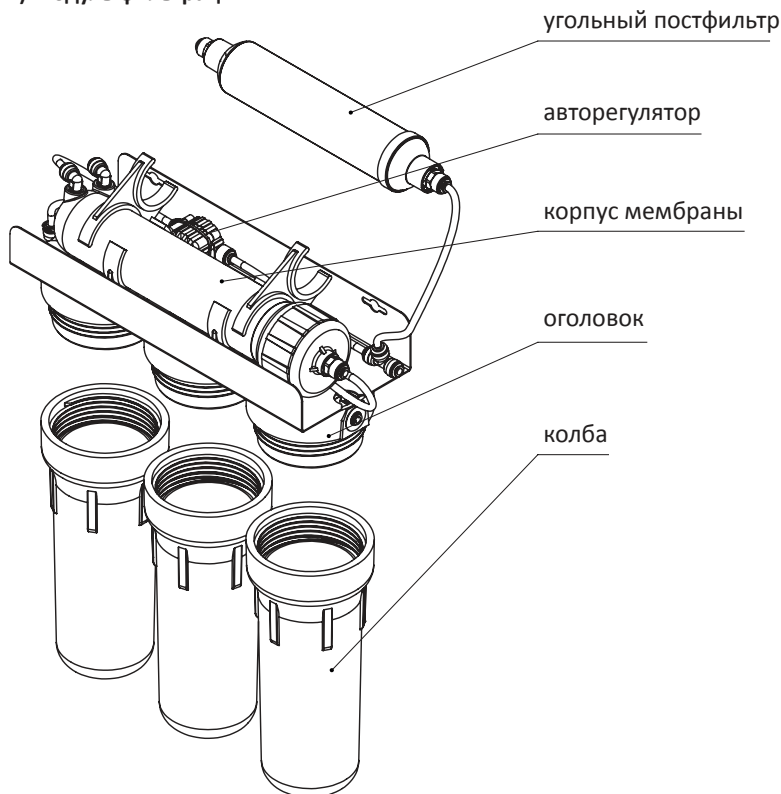
** При установке системы обратного осмоса на воду из скважин или колодцев рекомендуется предварительно провести химический анализ воды. Если какие-либо показатели превышают значения, указанные в таблице, желательно установить дополнительные фильтры перед системой обратного осмоса. По вопросам подбора фильтров следует проконсультироваться со специалистами фирм, которые профессионально занимаются очисткой воды.

2. ХАРАКТЕРИСТИКИ И КОМПЛЕКТАЦИЯ

2.4. КОМПЛЕКТАЦИЯ СИСТЕМЫ ОБРАТНОГО ОСМОСА

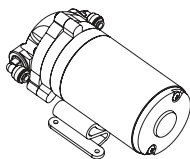
Производитель оставляет за собой право внесения изменений в конструкцию/комплектацию изделия, в случае если это изменение не влечет за собой ухудшения потребительских свойств изделия.

1) Модуль фильтрации

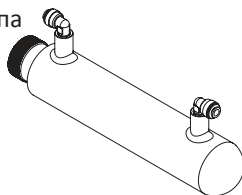


Опции:

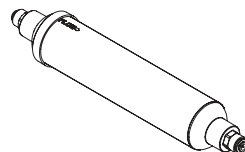
Помпа



Уф-лампа



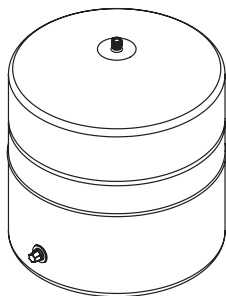
Минерализатор
(и/или другой постфильтр)



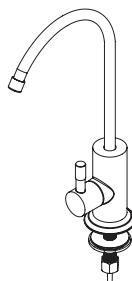
2. ХАРАКТЕРИСТИКИ И КОМПЛЕКТАЦИЯ

2.4. КОМПЛЕКТАЦИЯ СИСТЕМЫ ОБРАТНОГО ОСМОСА

2) Накопительный бак



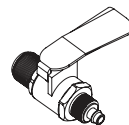
3) Кран для очищенной воды



4) Входная муфта



5) Кран подачи воды



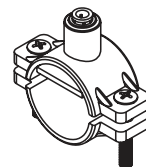
6) Шаровой кран бака



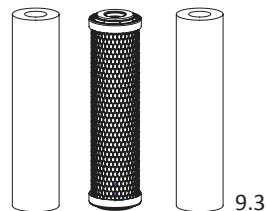
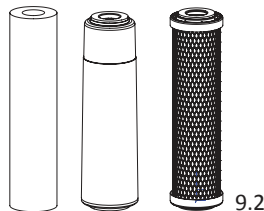
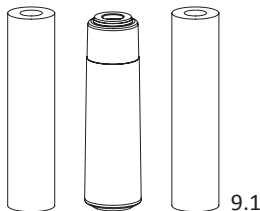
7) Комплект цветных трубок (4 штуки)



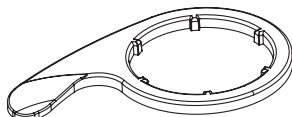
8) Дренажный хомут



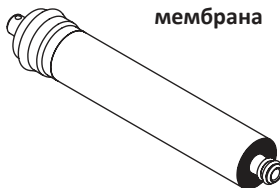
9) Комплект картриджей предварительной очистки (зависит от модели системы)



10) Ключ для корпусов префильтров

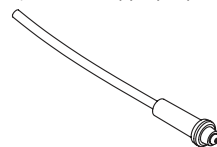


11) Обратноосмотическая мембрана



12) Регулятор потока

(вставлен в трубку черного цвета)

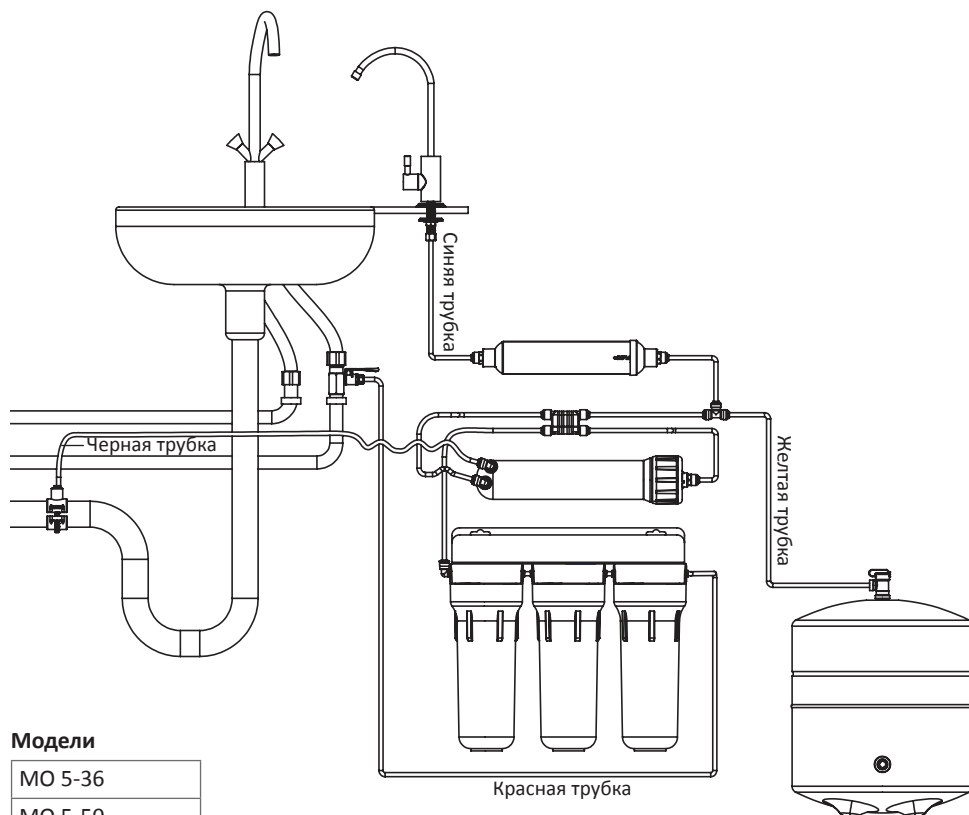


13) Стопорная клипса — аксессуар, смонтированный в модуле фильтрации, который служит для защиты от возможного отсоединения трубки в легко доступных местах. Наличие клипсы не влияет на герметичность соединения. Количество клипс в изделии может изменяться в зависимости от конструкции системы обратного осмоса, что не влияет на работоспособность.



3. СХЕМЫ ПОДКЛЮЧЕНИЯ

3.1. СХЕМА ПОДКЛЮЧЕНИЯ СИСТЕМЫ В БАЗОВОЙ КОМПЛЕКТАЦИИ



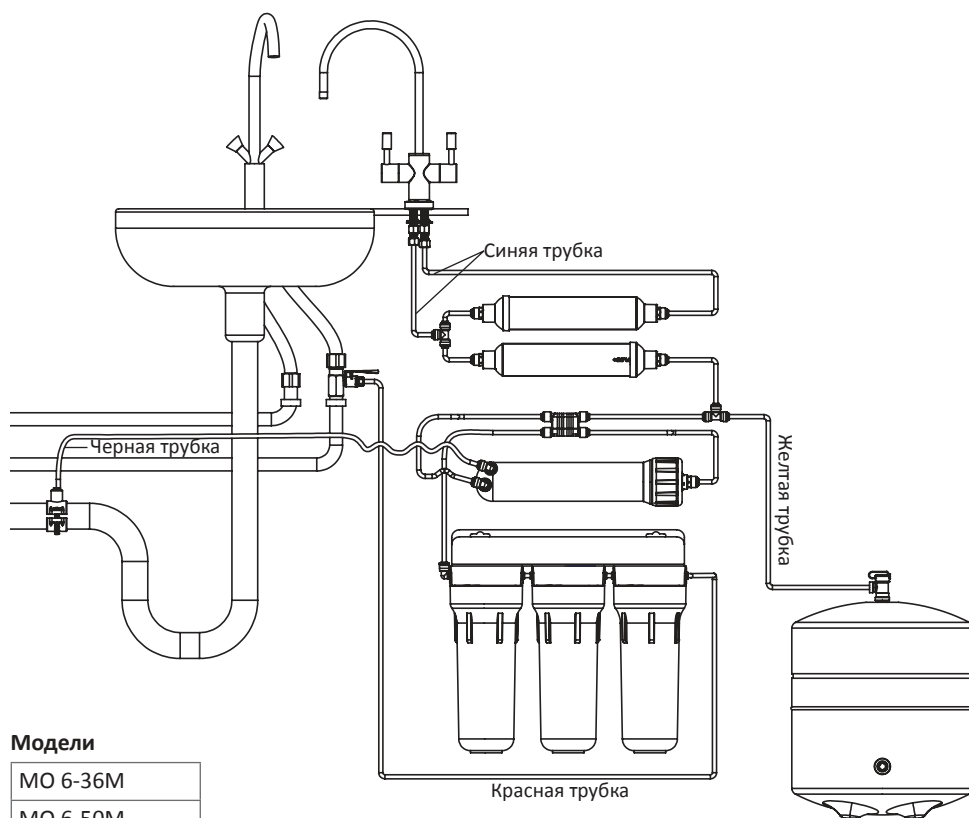
Модели

MO 5-36
MO 5-50
MO 5-75
MO 5-100

Производитель оставляет за собой право внесения изменений в конструкцию/комплектацию изделия, в случае если это изменение не влечет за собой ухудшения потребительских свойств изделия.

3. СХЕМЫ ПОДКЛЮЧЕНИЯ

3.2. СХЕМА ПОДКЛЮЧЕНИЯ СИСТЕМЫ С МИНЕРАЛИЗАТОРОМ



Модели

МО 6-36М

МО 6-50М

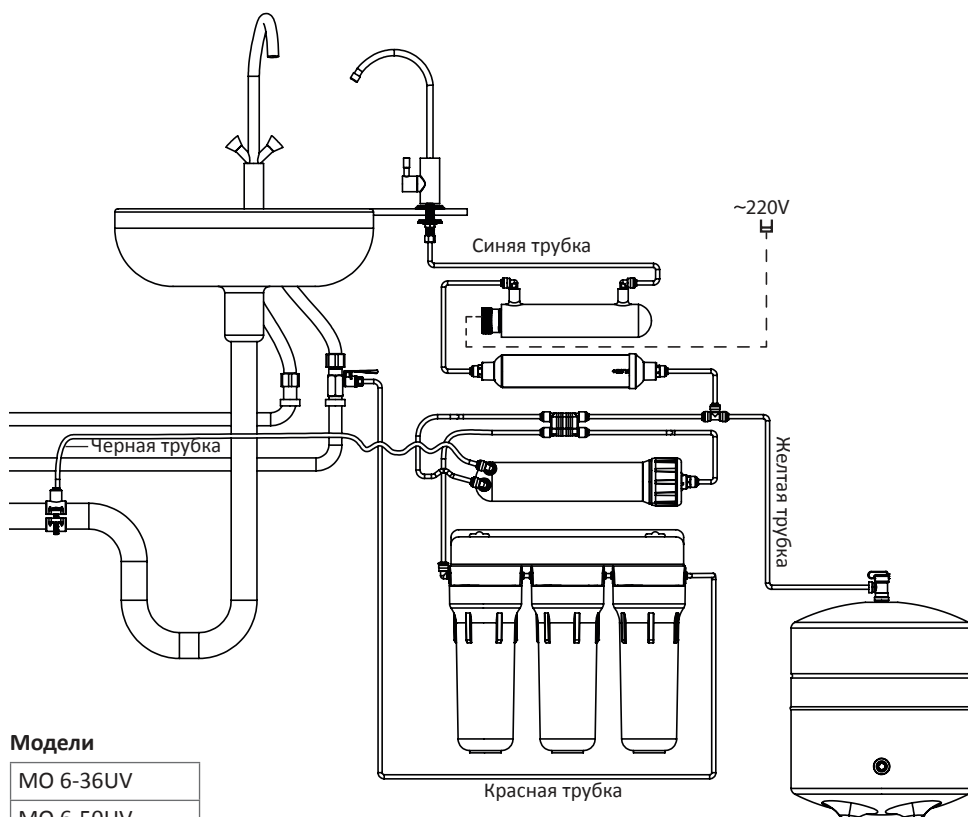
МО 6-75М

МО 6-100М

Производитель оставляет за собой право внесения изменений в конструкцию/комплектацию изделия, в случае если это изменение не влечет за собой ухудшения потребительских свойств изделия.

3. СХЕМЫ ПОДКЛЮЧЕНИЯ

3.3. СХЕМА ПОДКЛЮЧЕНИЯ СИСТЕМЫ С УЛЬТРАФИОЛЕТОВОЙ ЛАМПОЙ



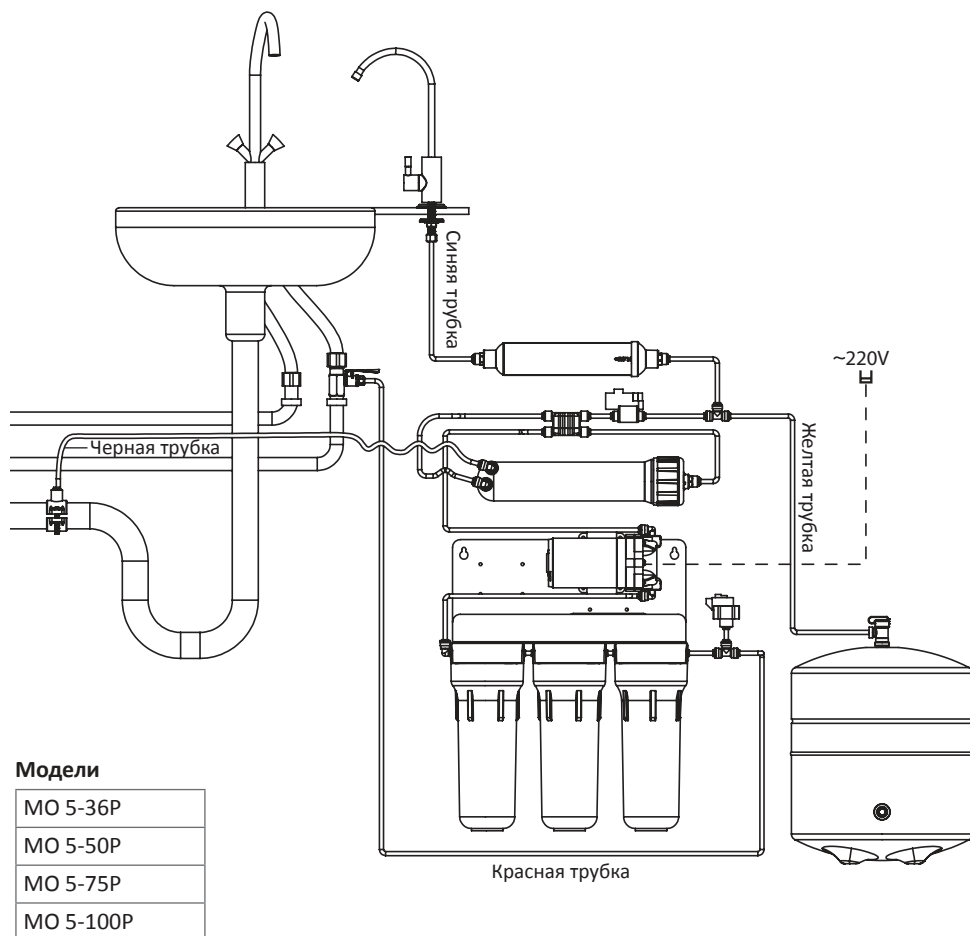
Модели

MO 6-36UV
MO 6-50UV
MO 6-75UV
MO 6-100UV

Производитель оставляет за собой право внесения изменений в конструкцию/комплектацию изделия, в случае если это изменение не влечет за собой ухудшения потребительских свойств изделия.

3. СХЕМЫ ПОДКЛЮЧЕНИЯ

3.4. СХЕМА ПОДКЛЮЧЕНИЯ СИСТЕМЫ С ПОМПой

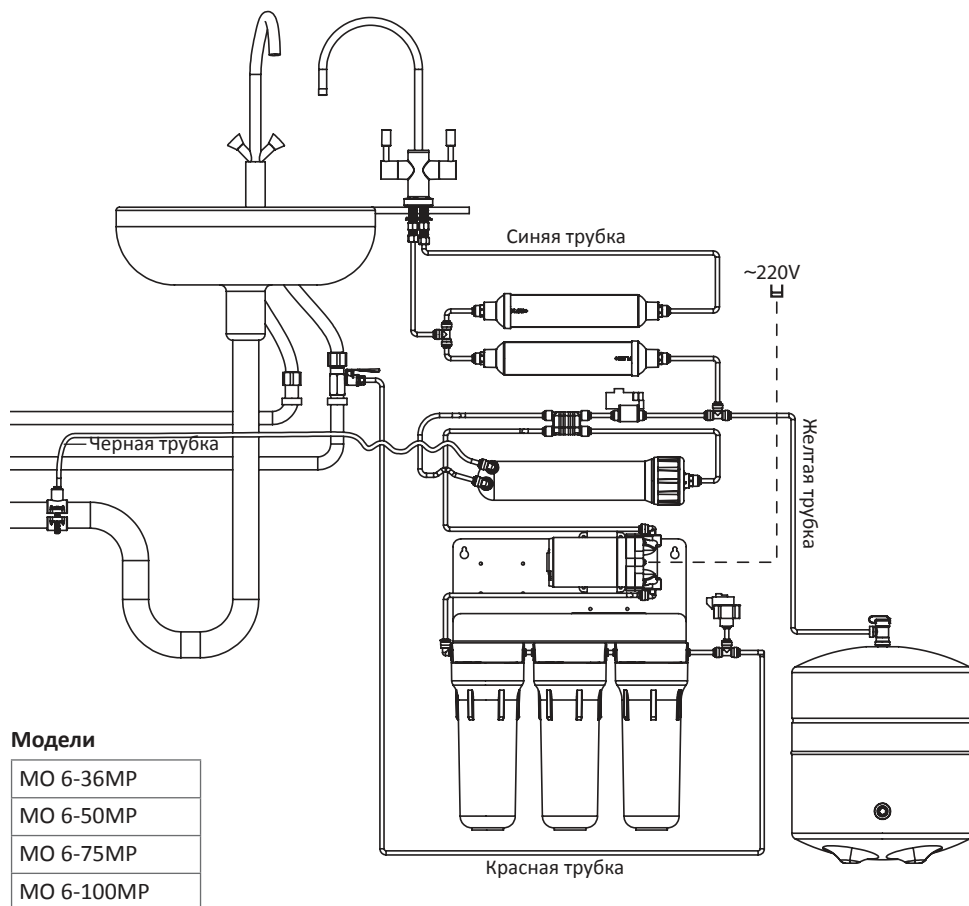


РУС

Производитель оставляет за собой право внесения изменений в конструкцию/комплектацию изделия, в случае если это изменение не влечет за собой ухудшения потребительских свойств изделия.

3. СХЕМЫ ПОДКЛЮЧЕНИЯ

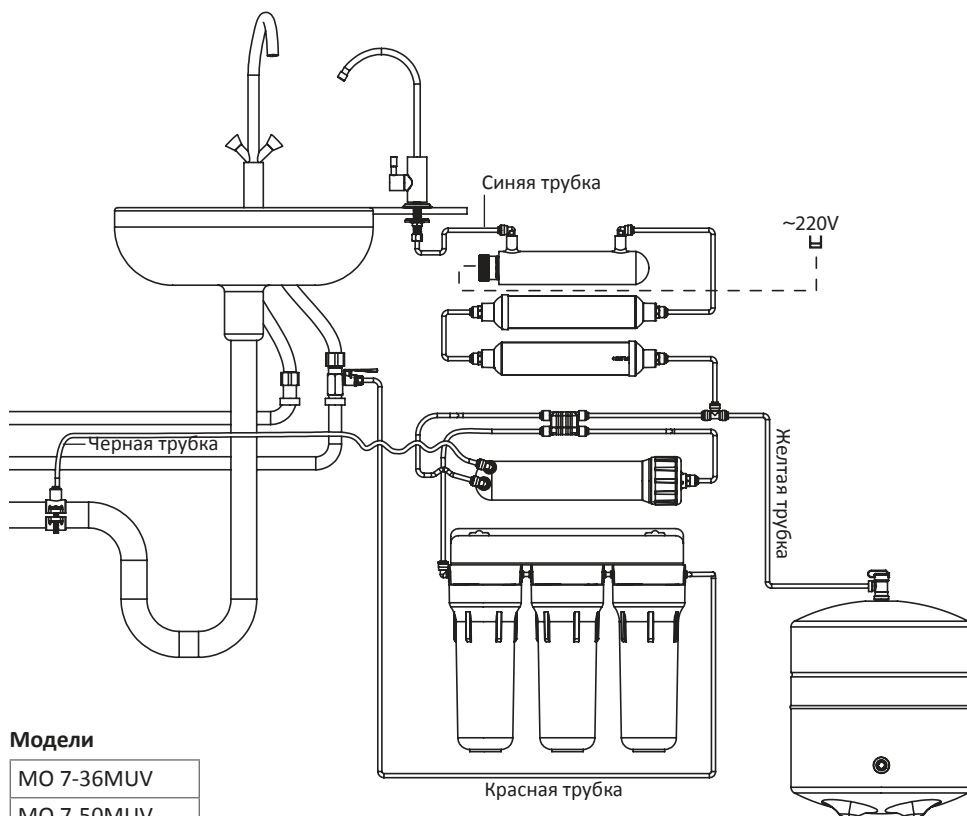
3.5. СХЕМА ПОДКЛЮЧЕНИЯ СИСТЕМЫ С МИНЕРАЛИЗАТОРОМ И ПОМПОЙ



Производитель оставляет за собой право внесения изменений в конструкцию/комплектацию изделия, в случае если это изменение не влечет за собой ухудшения потребительских свойств изделия.

3. СХЕМЫ ПОДКЛЮЧЕНИЯ

3.6А. СХЕМА ПОДКЛЮЧЕНИЯ СИСТЕМЫ С МИНЕРАЛИЗАТОРОМ И УЛЬТРАФИОЛЕТОВОЙ ЛАМПОЙ С ОДИНАРНЫМ КРАНОМ ДЛЯ ОЧИЩЕННОЙ ВОДЫ



Модели

МО 7-36МУV

МО 7-50МУV

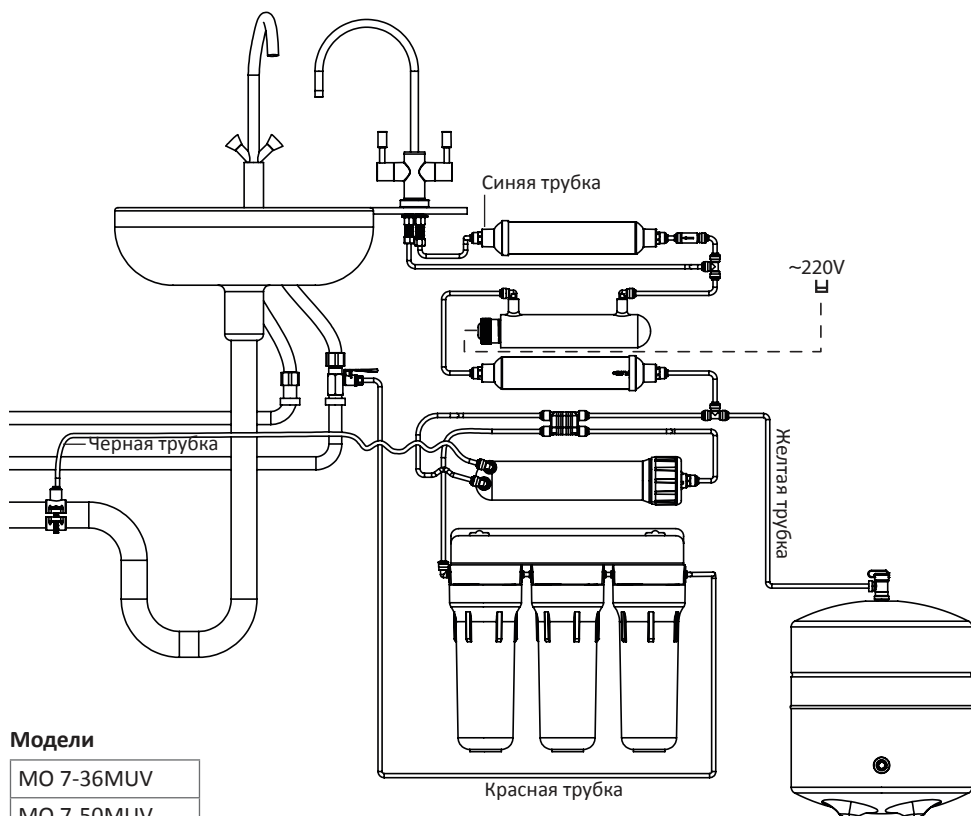
МО 7-75МУV

МО 7-100МУV

Производитель оставляет за собой право внесения изменений в конструкцию/комплектацию изделия, в случае если это изменение не влечет за собой ухудшения потребительских свойств изделия.

3. СХЕМЫ ПОДКЛЮЧЕНИЯ

3.6Б. СХЕМА ПОДКЛЮЧЕНИЯ СИСТЕМЫ С МИНЕРАЛИЗАТОРОМ И УЛЬТРАФИОЛЕТОВОЙ ЛАМПОЙ С ДВОЙНЫМ КРАНОМ ДЛЯ ОЧИЩЕННОЙ ВОДЫ



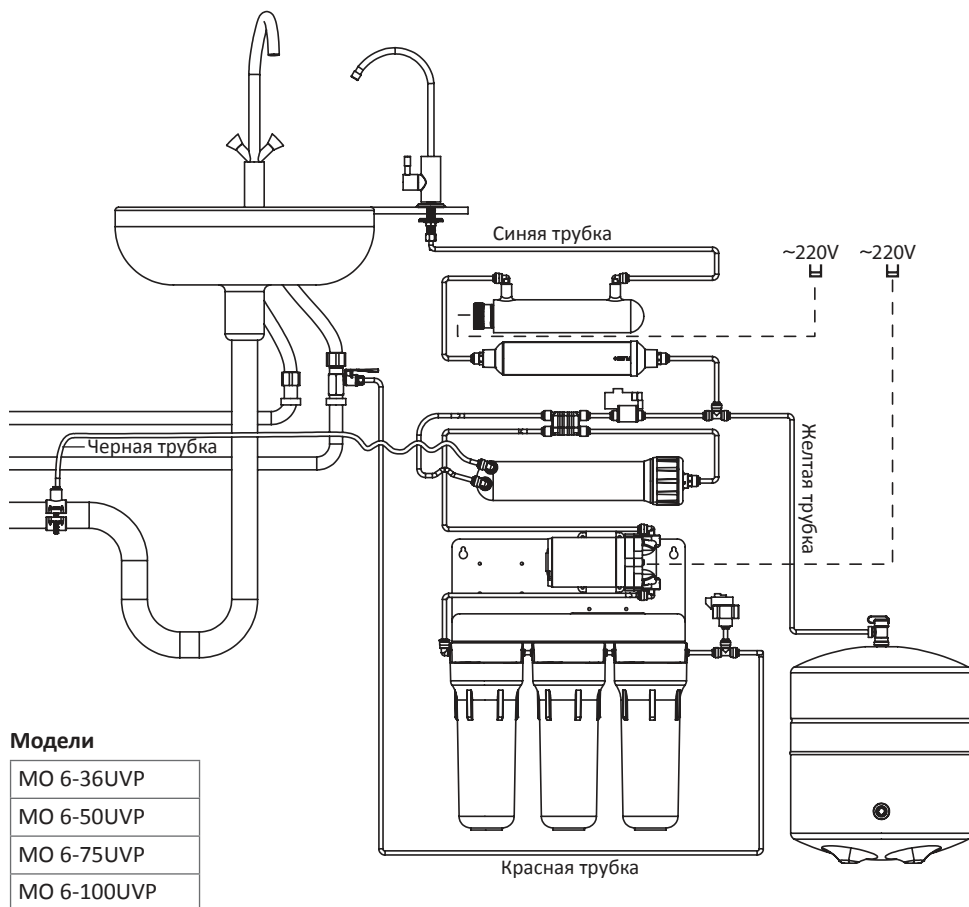
Модели

МО 7-36MUV
МО 7-50MUV
МО 7-75MUV
МО 7-100MUV

Производитель оставляет за собой право внесения изменений в конструкцию/комплектацию изделия, в случае если это изменение не влечет за собой ухудшения потребительских свойств изделия.

3. СХЕМЫ ПОДКЛЮЧЕНИЯ

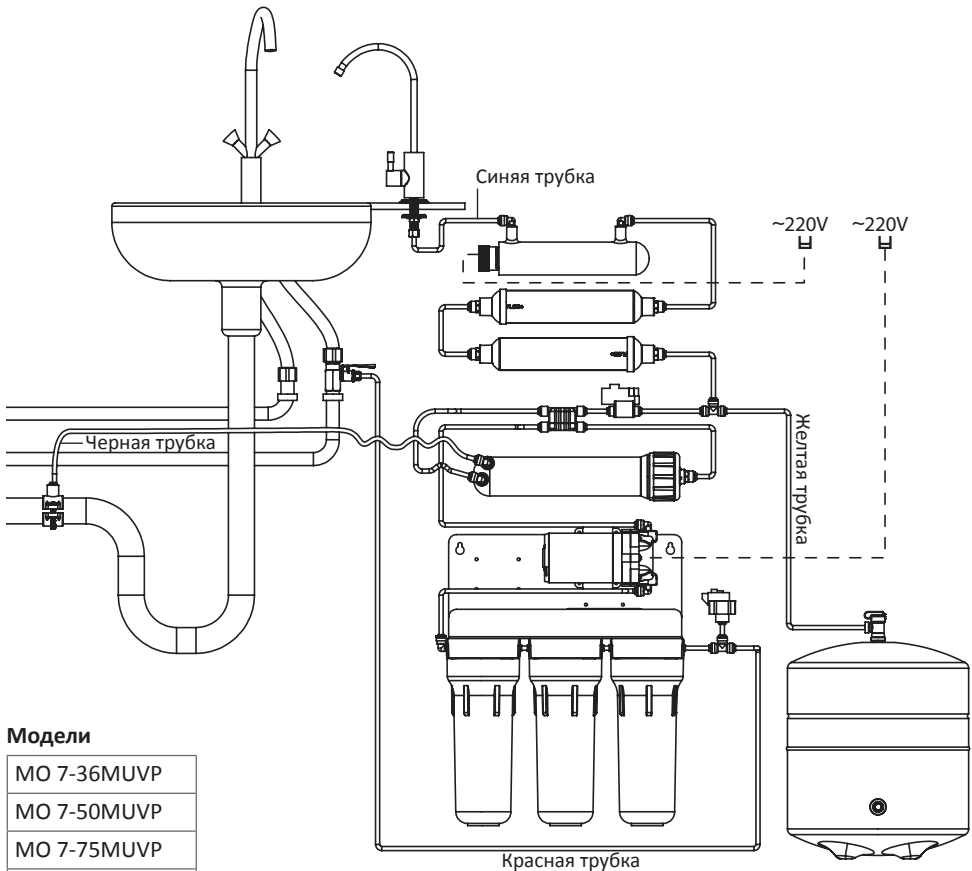
3.7. СХЕМА ПОДКЛЮЧЕНИЯ СИСТЕМЫ С УЛЬТРАФИОЛЕТОВОЙ ЛАМПОЙ И ПОМПОЙ



Производитель оставляет за собой право внесения изменений в конструкцию/комплектацию изделия, в случае если это изменение не влечет за собой ухудшения потребительских свойств изделия.

3. СХЕМЫ ПОДКЛЮЧЕНИЯ

3.8А. СХЕМА ПОДКЛЮЧЕНИЯ СИСТЕМЫ С МИНЕРАЛИЗАТОРОМ, УЛЬТРАФИОЛЕТОВОЙ ЛАМПОЙ И ПОМПОЙ С ОДИНАРНЫМ КРАНОМ ДЛЯ ОЧИЩЕННОЙ ВОДЫ



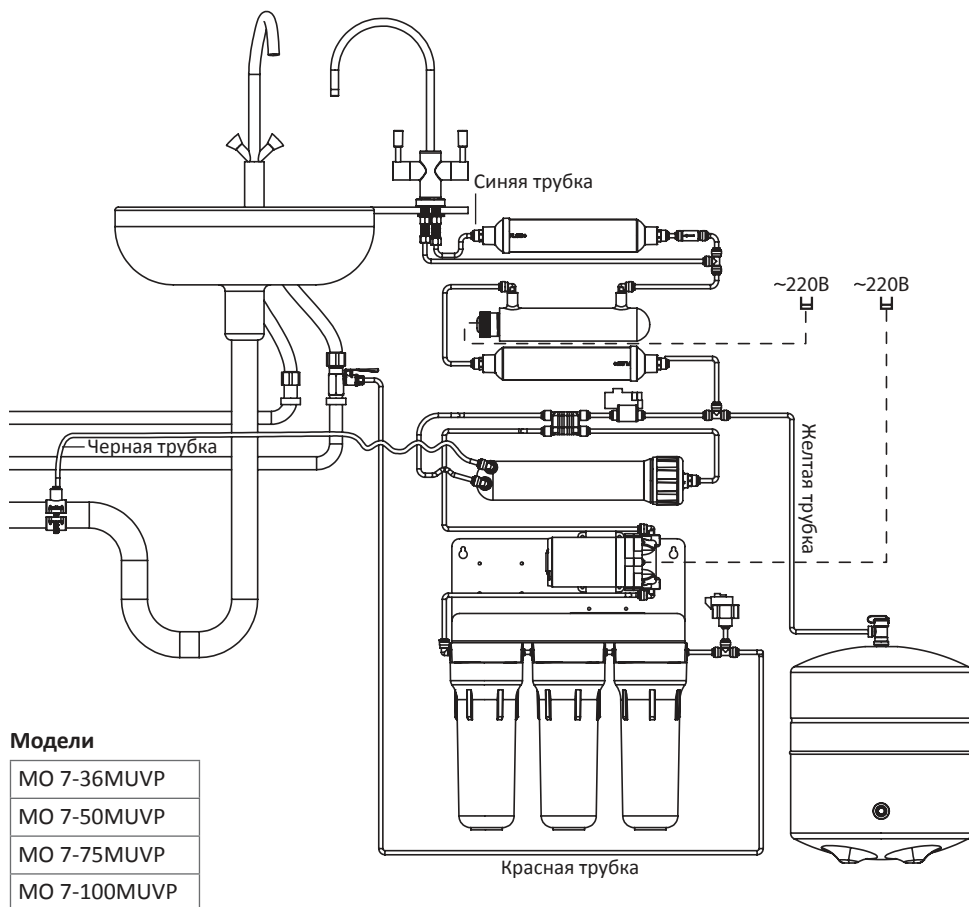
Модели

МО 7-36МУVP
МО 7-50МУVP
МО 7-75МУVP
МО 7-100МУVP

Производитель оставляет за собой право внесения изменений в конструкцию/комплектацию изделия, в случае если это изменение не влечет за собой ухудшения потребительских свойств изделия.

3. СХЕМЫ ПОДКЛЮЧЕНИЯ

3.8Б. СХЕМА ПОДКЛЮЧЕНИЯ СИСТЕМЫ С МИНЕРАЛИЗАТОРОМ, УЛЬТРАФИОЛЕТОВОЙ ЛАМПОЙ И ПОМПОЙ С ДВОЙНЫМ КРАНОМ ДЛЯ ОЧИЩЕННОЙ ВОДЫ

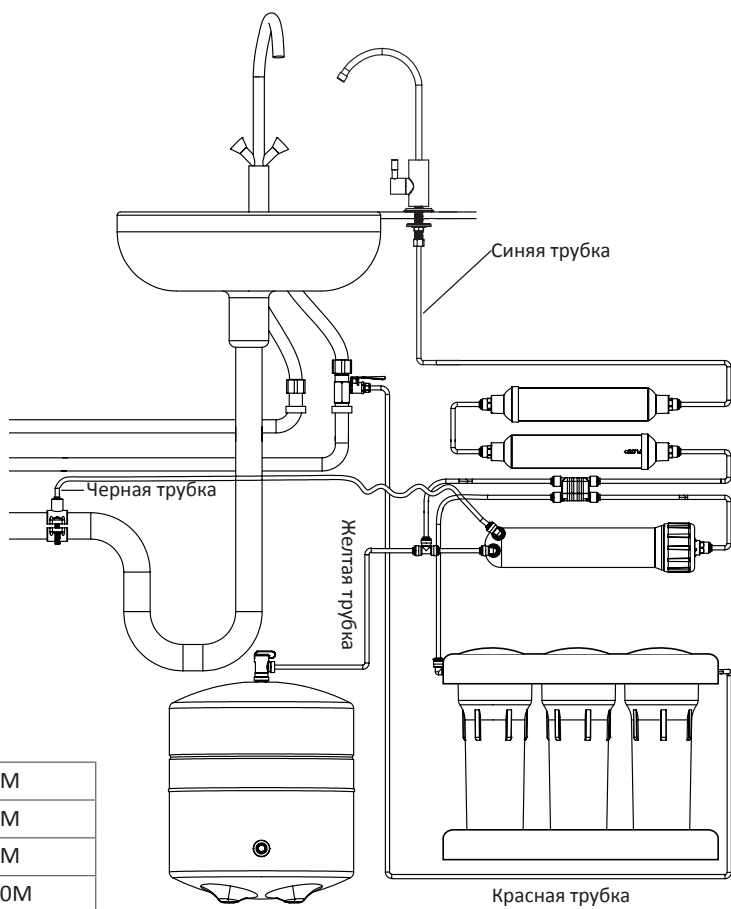


РУС

Производитель оставляет за собой право внесения изменений в конструкцию/комплектацию изделия, в случае если это изменение не влечет за собой ухудшения потребительских свойств изделия.

3. СХЕМЫ ПОДКЛЮЧЕНИЯ

3.9А. СХЕМА ПОДКЛЮЧЕНИЯ СИСТЕМЫ PURE С ОДИНАРНЫМ КРАНОМ ДЛЯ ОЧИЩЕННОЙ ВОДЫ



Модели

МО 6-36М

МО 6-50М

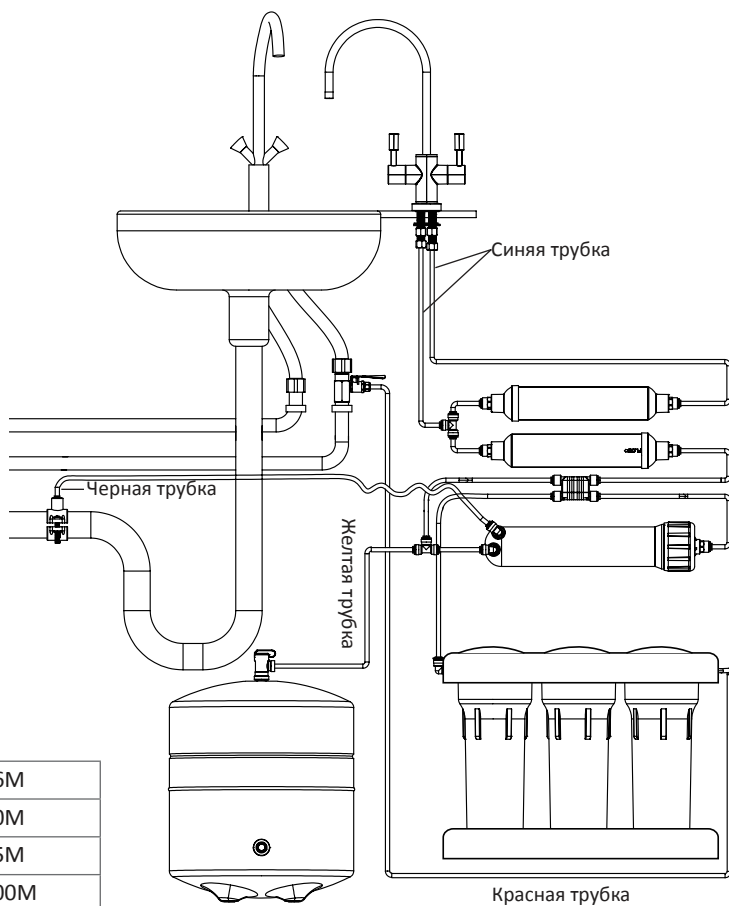
МО 6-75М

МО 6-100М

Производитель оставляет за собой право внесения изменений в конструкцию/комплектацию изделия, в случае если это изменение не влечет за собой ухудшения потребительских свойств изделия.

3. СХЕМЫ ПОДКЛЮЧЕНИЯ

3.9Б. СХЕМА ПОДКЛЮЧЕНИЯ СИСТЕМЫ PURE С ДВОЙНЫМ КРАНОМ ДЛЯ ОЧИЩЕННОЙ ВОДЫ



Модели

МО 6-36М

МО 6-50М

МО 6-75М

МО 6-100М

Производитель оставляет за собой право внесения изменений в конструкцию/комплектацию изделия, в случае если это изменение не влечет за собой ухудшения потребительских свойств изделия.

4. ПОСЛЕДОВАТЕЛЬНОСТЬ ДЕЙСТВИЙ ПРИ МОНТАЖЕ СИСТЕМЫ ОБРАТНОГО ОСМОСА

Перед установкой системы обратного осмоса необходимо внимательно ознакомиться с данной инструкцией.

4.1. ПРОВЕРКА ВХОДЯЩИХ ПАРАМЕТРОВ

- 1) Проверьте наличие и соответствие всех комплектующих. Нельзя вскрывать прозрачный пакет, в который упакованы детали, до проверки, так как производитель не принимает претензии по некомплектности, в случае если пакет вскрыт.
- 2) Необходимо проверить соответствие:

Давление на входе*	Давление в мембранном баке*	Температура входящей воды*
Проверьте давление на входе перед системой обратного осмоса. Давление перед системой должно соответствовать указанному в пункте 2.2.	Проверьте давление в мембранном баке. Давление в мембранном баке должно соответствовать указанному в пункте 2.2.	Необходимо проверить температуру входящей воды. Температура входящей воды должна соответствовать указанной в пункте 2.2.
*Если параметры входящей воды не соответствуют требованиям необходимо принять меры, указанные в пункте 2.2		

— технических характеристик (пункт 2.2);

— качества воды**, подаваемой на систему обратного осмоса пункт 2.3.

**Если показатели качества воды, подаваемой на систему, не соответствуют указанным требованиям, необходимо обратиться в компании, которые занимаются водоподготовкой.

- 3) Перед установкой системы необходимо подготовить место под мойкой. Позаботьтесь о том, чтобы было достаточно места для системы и накопительного бака. В случае недостатка места под мойкой допускается установка системы отдельно от накопительного бака на расстоянии длины соединительной трубки.
- 4) Подключите систему в соответствии с рекомендациями данной инструкции.

4.2. УСТАНОВКА

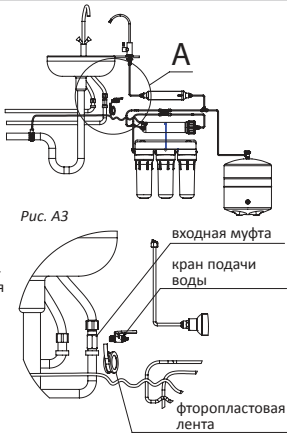
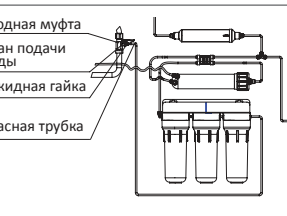
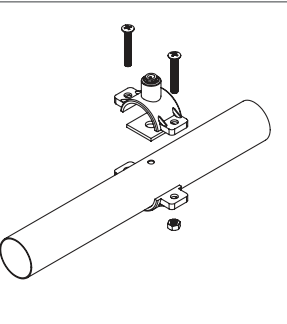
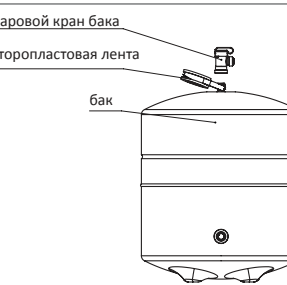
ВНИМАНИЕ!!! Данная система проверена производителем на отсутствие протечек, поэтому внутри системы допускается наличие остатков воды.

Перед монтажом водопроводящих трубок, картриджей, мембраны необходимо тщательно вымыть руки с дезинфицирующим мылом.

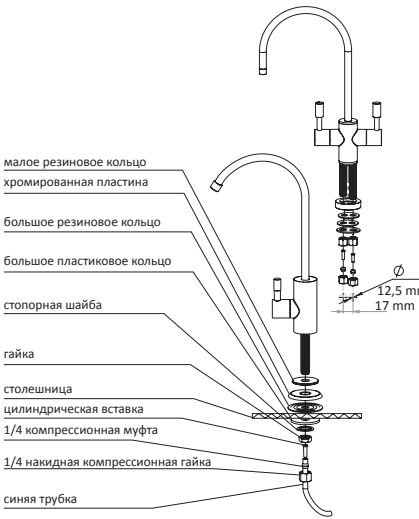
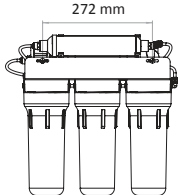
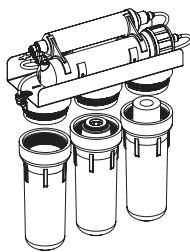
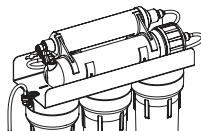
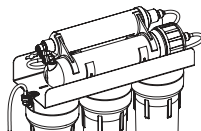
Устанавливать данную систему желательно в местах, защищенных от прямых солнечных лучей, вдали от нагревательных приборов.

1.	Достаньте систему обратного осмоса из упаковки и проверьте комплектацию. Не вскрывайте пакет с комплектующими. Будьте внимательны, производитель не принимает претензии по некомплектности, в случае если пакет вскрыт.
2.	Перекройте вентиль холодной воды на входе в квартиру/дом и откройте водопроводный кран в месте установки фильтра (на мойке) на 1 минуту, чтобы сбросить давление в системе, после чего закройте кран.

4. ПОСЛЕДОВАТЕЛЬНОСТЬ ДЕЙСТВИЙ ПРИ МОНТАЖЕ СИСТЕМЫ ОБРАТНОГО ОСМОСА

<p>3.</p>	<p>Вкрутите входную муфту 4 в магистраль холодной воды. Вкрутите кран подачи воды 5 во входную муфту 4. Во избежание возможного протекания воды необходимо использовать для уплотнения фторопластовую ленту.</p> <p>Размер подключений рассчитан на наиболее распространенный размер трубопровода ½ дюйма. Если трубопровод вашего помещения имеет другие размеры, подготовьте соответствующие переходники.</p>	
<p>4.</p>	<p>Открутите накидную гайку со штуцера крана подачи воды 5 и наденьте ее на красную трубку. Плотно натяните красную трубку на штуцер крана подачи воды 5 и закрутите накидную гайку. Вторым концом красной трубки соедините с быстроразъемным фитингом первой (крайней правой) колбы модуля фильтрации.</p>	
<p>5.</p>	<p>Соедините дренажный хомут 8 с дренажным сифоном вашей мойки. Данный дренажный хомут подходит к большинству стандартных канализационных труб. Просверлите на дренажной трубе вашей мойки отверстие диаметром 5,0 мм, на которое положите уплотнитель с клейкой основой (входит в комплект). Установите дренажный хомут 8 так, чтобы отверстие на дренажной трубе совпадало с отверстием (фитингом) на дренаже. С помощью гаечного ключа затяните гайки дренажного хомута. Возьмите трубку черного цвета, вставьте ее в фитинг дренажного хомута. Второй конец черной трубки соедините с быстроразъемным фитингом корпуса мембраны.</p> <p>ВАЖНО!!! Проверьте наличие регулятора потока 12, который должен быть установлен в черную трубку со стороны подключения к корпусу мембраны.</p>	
<p>6.</p>	<p>На резьбовую часть бака 2 плотно намотайте фторопластовую ленту и накрутите шаровой кран бака 6. Переведите кран в положение «Закрыто».</p> <p>ВАЖНО!!! Проверьте давление воздуха в «сухом» баке. Давление воздуха должно составлять 0,4–0,6 бар. При необходимости увеличьте давление насосом с манометром. При необходимости уменьшить давление — сбросьте его нажатием ниппеля бака.</p>	

4. ПОСЛЕДОВАТЕЛЬНОСТЬ ДЕЙСТВИЙ ПРИ МОНТАЖЕ БЫТОВОЙ СИСТЕМЫ ОБРАТНОГО ОСМОСА

7.	Подключение крана для очищенной воды	<p>7.1 Для установки крана для очищенной воды 3 просверлите отверстие диаметром 12,5 мм в удобном для вас месте на мойке или кухонной столешнице. ВНИМАНИЕ!!! Металлическая стружка может повредить вашу мойку, необходимо аккуратно убрать ее сразу после того как вы просверлите отверстие. Если поверхность для установки крана керамическая или каменная, вам может понадобиться специальное твердосплавное сверло.</p> <p>7.2 Соберите кран на столешнице или мойке. При этом гайка, стопорная шайба и большое пластиковое кольцо должны прижимать кран к столешнице.</p> <p>7.3 Возьмите синюю трубку, наденьте на нее последовательно накидную компрессионную гайку и компрессионную муфту, после чего вставьте цилиндрическую вставку в трубку.</p> <p>7.4 Накрутите накидную компрессионную гайку на штуцер установленного крана, направив трубку в середину штуцера, прижимая компрессионную муфту. После установки кран должен быть прочно закреплен на кухонной столешнице, а синяя трубка плотно надета на патрубок крана.</p> <p>7.5 Подключение двойного крана (для систем с минерализатором), осуществляется по такому же принципу, как и подключение одинарного.</p> 
8.	<p>Выберите стенку, на которой вы хотите поместить фильтр, и вкрутите в нее 2 шурупа для крепления фильтра (не входят в комплект) так, чтобы нижние части колб находились на расстоянии не менее 100 мм от пола.</p> <p>Расстояние между отверстиями для крепления кронштейна составляет 272 мм.</p>	
9.	Установите картриджи в первую и вторую колбы по ходу движения воды (справа налево).	
10.	Прикрутите все три колбы, не прилагая излишних усилий.	
11.	Отсоедините трубку, соединяющую третью по ходу движения воды колбу с авторегулятором.	

4. ПОСЛЕДОВАТЕЛЬНОСТЬ ДЕЙСТВИЙ ПРИ МОНТАЖЕ БЫТОВОЙ СИСТЕМЫ ОБРАТНОГО ОСМОСА

12.	<p>Откройте кран подачи воды 5 и пропустите через первые две колбы с картриджами 5-7 литров воды, чтобы вымыть угольную пыль, которая может образовываться в картриджах во время транспортировки.</p> <p>ВНИМАНИЕ!!! Эта вода будет выливаться через отсоединенную от авторегулятора трубку, поэтому вам понадобится емкость для сбора воды.</p>
13.	<p>Вставьте картридж в третью по ходу движения воды колбу, прикрутите колбу и снова пропустите не менее 4 литров воды, чтобы вымыть угольную пыль. Закройте кран подачи воды 5 и соедините ранее отделенную трубку с авторегулятором.</p> 
14.	<p>Установите обратноосмотическую мембрану 11 в предназначенный для нее корпус.</p> <p>ВНИМАНИЕ!!! Установка обратноосмотической мембраны осуществляется через торцевой разрез пакета. Не вынимайте мембрану из упаковки и избегайте контакта рук с поверхностью мембраны.</p> 
15.	<p>Оставьте кран подачи воды 5 и кран для очищенной воды 3 открытыми на 30 минут. Поверните шаровый кран 6 на баке 2 в положение «Открыто». Закройте кран для очищенной воды 3 и внимательно проверьте все соединения на наличие протечек.</p> <p>ВНИМАНИЕ!!! Первую неделю после установки каждый день проверяйте систему на наличие протечек, делайте это время от времени и в будущем.</p> <p>В случаях вашего длительного отсутствия – командировки или отпуска – перекрывайте подачу воды на систему.</p> 
16.	<p>После того как бак наполнится (вы услышите, что поток воды остановится), слейте воду из бака в канализацию, открыв кран очищенной воды 3. После того как напор воды исчерпается, закройте кран очищенной воды 3, чтобы бак снова начал наполняться. В зависимости от давления в вашей водопроводной системе, наполнение может занять от 1,5 до 3 часов. После того как бак наполнится во второй раз, вы можете пить очищенную воду.</p>

5. ПОСЛЕДОВАТЕЛЬНОСТЬ ДЕЙСТВИЙ ПОСЛЕ МОНТАЖА

ПРОВЕРКА РАБОТЫ СИСТЕМЫ НА СООТВЕТСТВИЕ ТЕХНИЧЕСКИМ ХАРАКТЕРИСТИКАМ

1. Оценка времени наполнения бака. Бак наполнился в тот момент, когда прекратился сброс концентрата в линию канализации. Полученное значение зависит от исходного давления водопровода.

2. Определение конверсии. Для этого потребуется: мерная емкость объемом не менее 1 л, секундомер. Закройте шаровый кран бака **6** и откройте кран для очищенной воды **3**. При помощи мерной емкости засекайте время наполнения емкости пермеатом $t_{\text{пермеат}}$. Далее, закройте кран очищенной воды. Отсоедините черную дренажную трубку от фитинга дренажного хомута. Откройте кран очищенной воды **3** и кран подачи воды **5** и воспользуйтесь мерной емкостью для измерения времени наполнения того же объема концентратом $t_{\text{концентрат}}$. После этого закройте краны **3** и **5** и откройте шаровый кран бака **6**. Используйте следующую формулу для расчета конверсии:

$$R = \frac{t_{\text{концентрат}}}{t_{\text{пермеат}} + t_{\text{концентрат}}} \times 100\%$$

где R – конверсия, %; $t_{\text{концентрат}}$ – время наполнения емкости концентратом; мин, $t_{\text{пермеат}}$ – время наполнения емкости пермеатом, мин.

В зависимости от качества входящей воды, температуры воды, давления перед мембраной конверсия может быть разной. Нормальная величина конверсии должна быть в диапазоне 10-20%.

3. Проверка значения TDS исходной воды, TDS пермеата при помощи калиброванного TDS-метра.

4. Проверка срабатывания авторегулятора. При заполненном баке и закрытом кране для очищенной воды закрыть шаровой кран бака **6**. Сброс концентрата должен прекратиться в течение 10 мин.

5. Проверка системы на наличие протечек.

6. Информирование владельцев системы о правилах технического обслуживания системы, рекомендация ознакомиться с данной инструкцией.

7. Внесение записи о вводе в эксплуатацию в дневник технического обслуживания в пункте 9 настоящего паспорта.

6. ПРАВИЛА ЭКСПЛУАТАЦИИ

Бытовая система обратного осмоса предназначена для доочистки только холодной воды.

Если время наполнения бака увеличилось, это означает, что комплект картриджей предварительной очистки выработал свой ресурс и подлежит срочной замене. Промедление с заменой картриджей может привести к повреждению или разрушению мембраны.

Для исключения таких критических ситуаций мы настоятельно рекомендуем **менять комплект картриджей предварительной очистки воды не реже одного раза в 3 месяца**.

Если скорость фильтрации значительно падает, вам необходимо заменить обратноосмотическую мембрану. Для получения очищенной воды неизменного качества мы рекомендуем **проводить замену обратноосмотической мембраны не реже одного раза в 1–1,5 года**. В случае длительных перерывов в работе системы (свыше 2 недель) необходимо провести дезинфекцию системы, описанную в пункте 7.

В случае если Вы не планируете пользоваться фильтром/системой на протяжении длительного времени, рекомендуется перекрыть подачу воды на систему.

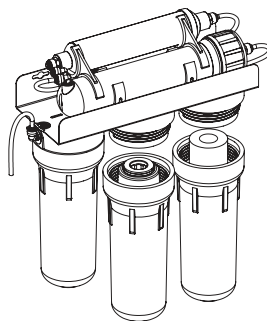
6. ПРАВИЛА ЭКСПЛУАТАЦИИ

6.1. НАЗНАЧЕНИЕ УЗЛОВ И ИХ ЗАМЕНА

Степень фильтрации	Название картриджа	Периодичность замены
Первая	Картриджи предварительной очистки для системы обратного осмоса. Ресурс зависит от расхода и качества очищаемой воды	Не реже 1 раза в 3 мес.
Вторая		
Третья		
Четвертая	Обратноосмотическая мембрана	1 раз в год
Пятая	Угольный постфильтр	
Шестая	Минерализатор / УФ-лампа	

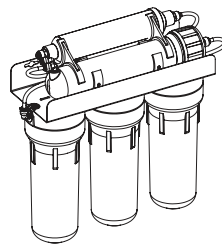
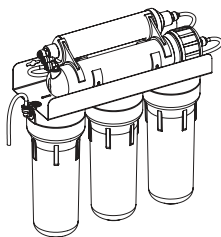
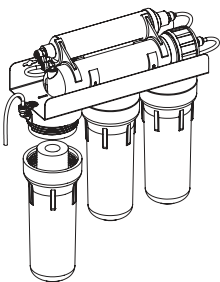
6.2. ПОСЛЕДОВАТЕЛЬНОСТЬ ДЕЙСТВИЙ ПРИ ЗАМЕНЕ КАРТРИДЖЕЙ ПРЕДВАРИТЕЛЬНОЙ ОЧИСТКИ

1.	Перекройте кран подачи воды 5 , поверните шаровой кран бака 6 в положение «Закрыто».
2.	Тщательно вымойте руки антибактериальным мылом.
3.	Откройте ключом первую и вторую колбы по ходу движения воды (справа налево). Будьте осторожны, колбы заполнены водой.
4.	Удалите отработанные картриджи.
5.	Тщательно вымойте колбы неароматизированным мылом и чистой губкой, после чего тщательно ополосните их водой.
6.	Вставьте новые картриджи в первую и вторую колбы по ходу движения воды (справа налево).
7.	Отсоедините трубку, соединяющую третью по направлению движения воды колбу с авторегулятором.
8.	Откройте кран подачи воды 5 и пропустите через первые две колбы с картриджами 5-7 литров воды, чтобы вымыть угольную пыль, которая может образовываться в картриджах во время транспортировки. ВНИМАНИЕ! Эта вода будет выливаться через отсоединенную от авторегулятора трубку, поэтому вам понадобится емкость для сбора воды.



6. ПРАВИЛА ЭКСПЛУАТАЦИИ

9. Открутите ключом третью по ходу движения воды колбу. Будьте осторожны, колба заполнена водой.
10. Удалите отработанный картридж и тщательно вымойте колбу неароматизированным мылом и чистой губкой, после чего тщательно ополосните ее водой.
11. Вставьте картридж в третью по ходу движения воды колбу, прикрутите колбу и снова пропустите не менее 4 литров воды, чтобы вымыть угольную пыль. Закройте кран подачи воды **5** и соедините ранее отделенную трубку с авторегулятором.



13. Откройте шаровой кран бака **6**.
14. Откройте кран подачи воды на систему **5**.

6. ПРАВИЛА ЭКСПЛУАТАЦИИ

6.3 ПОСЛЕДОВАТЕЛЬНОСТЬ ДЕЙСТВИЙ ПРИ ЗАМЕНЕ МЕМБРАНЫ

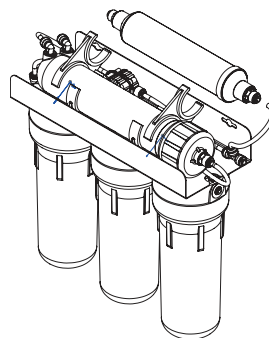
(Замена мембраны выполняется специалистом сервисного центра)

1.	Перекройте кран подачи воды на систему 5 , поверните шаровой кран бака 6 в положение «Закрыто».
2.	Откройте кран очищенной воды 3 для сброса давления в системе.
3.	Отсоедините белую трубку от крышки корпуса мембраны.
4.	Откройте крышку корпуса мембраны.
5.	Извлеките использованную обратноосмотическую мембрану 11 (запомните ее расположение в корпусе).
6.	Нанесите смазку на резиновые уплотнения новой обратноосмотической мембраны 11 и уплотнения крышки корпуса мембраны. ВНИМАНИЕ!!! Чтобы не повредить мембрану, в качестве смазки используйте только пищевой глицерин.
7.	Установите новую обратноосмотическую мембрану 11 в корпус, соблюдая направление и положение трубки. ВНИМАНИЕ!!! Установка обратноосмотической мембраны осуществляется через торцевой разрез пакета. Не вынимайте мембрану из упаковки и избегайте контакта рук с поверхностью мембраны.
8.	Закрутите крышку корпуса мембраны.
9.	Подсоедините белую трубку к крышке корпуса мембраны.
10.	Закройте кран очищенной воды 3 .
11.	Откройте шаровой кран бака 6 .
12.	Откройте кран подачи воды 5 .
13.	После того как бак наполнится (вы услышите, что поток воды остановится), слейте воду из бака в канализацию, открыв кран очищенной воды 3 . После того как напор воды исчерпается, закройте кран очищенной воды 3 , чтобы бак снова начал наполняться. В зависимости от давления в вашей водопроводной системе, наполнение может занять от 1,5 до 3 часов. После того как бак наполнится во второй раз, вы можете пить очищенную воду.

6. ПРАВИЛА ЭКСПЛУАТАЦИИ

6.4 ПОСЛЕДОВАТЕЛЬНОСТЬ ДЕЙСТВИЙ ПРИ ЗАМЕНЕ УГОЛЬНОГО КАРТРИДЖА И/ИЛИ МИНЕРАЛИЗАТОРА

1.	Перекройте кран подачи воды на систему 5 , поверните шаровой кран бака 6 в положение «Закрыто».
2.	Откройте кран очищенной воды 3 для сброса давления в системе.
3.	Отсоедините трубки, которые соединяют угольный постфильтр и/или минерализатор с системой.
4.	Снимите отработанный угольный постфильтр и/или минерализатор с пластиковых держателей (клипс).
5.	Установите новый угольный постфильтр и/или минерализатор, руководствуясь стрелками, обозначающими направление потока воды.
6.	Подсоедините трубки, которыми угольный постфильтр и/или минерализатор соединяется с системой.
7.	Откройте кран подачи воды 5 . Откройте шаровой кран бака 6 .
9.	Слейте воду из бака в канализацию, открыв кран очищенной воды 3 . После того как напор воды исчерпается, закройте кран очищенной воды 3 , чтобы бак снова начал наполняться. В зависимости от давления в вашей водопроводной системе, наполнение может занять от 1,5 до 3 часов. После того, как бак наполнится во второй раз, вы можете пить очищенную воду.



6.5 ПОСЛЕДОВАТЕЛЬНОСТЬ ДЕЙСТВИЙ ПРИ ЗАМЕНЕ УЛЬТРАФИОЛЕТОВОЙ ЛАМПЫ

(Замена УФ-лампы выполняется специалистом сервисного центра)

Рекомендованный срок эксплуатации УФ-ламп составляет 9 000 часов (приблизительно 1 год непрерывной работы).

ВНИМАНИЕ!!!

Не рекомендуется использовать УФ-лампу после окончания рекомендованного срока эксплуатации, поскольку снижается интенсивность излучения и не обеспечивается гарантированное обеззараживание воды.

Категорически запрещается включать электропитание УФ-лампы, когда излучатель находится не в металлическом корпусе, и смотреть на светящуюся лампу. Это может привести к повреждению глаз и, как следствие, к ухудшению или потере зрения.

При замене УФ-лампы желательно проводить чистку кварцевого кожуха.

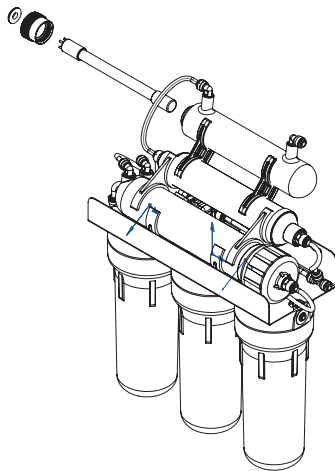
6. ПРАВИЛА ЭКСПЛУАТАЦИИ

В процессе чистки кожуха запрещается использовать абразивные материалы, поскольку это может привести к снижению проницаемости УФ-излучения и, соответственно, снижению эффективности обеззараживания.

Извлекать кожух из корпуса следует очень аккуратно, чтобы не повредить и не поцарапать его.

Также следует аккуратно снимать уплотнительные кольца, находящиеся на торцах кожуха для герметизации УФ-лампы и предотвращения попадания воды на лампу и электрические разъемы. Новую УФ-лампу следует брать осторожно и исключительно за керамические края, поскольку загрязнения кварцевой поверхности лампы приводят к снижению интенсивности обеззараживания и к сокращению срока службы. При работе с лампой необходимо пользоваться хлопковыми перчатками.

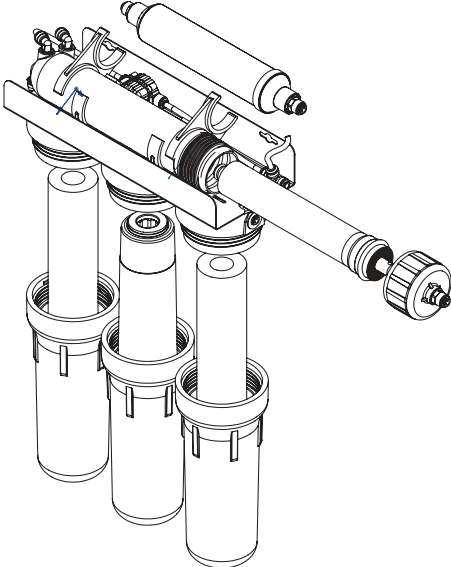
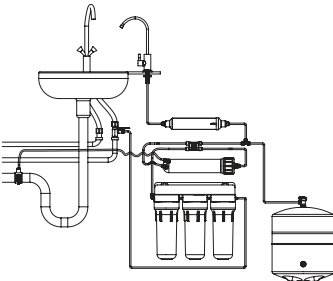
1.	Отключите УФ-лампу от электропитания.
2.	Перекройте кран подачи воды 5 , поверните шаровой кран бака 6 в положение «Закрыто».
3.	<p>Снимите с корпуса черную ПВХ-заглушку, через которую проходит электрический кабель.</p> <p>4. Держа за электрический разъем, осторожно извлеките лампу из кварцевого кожуха.</p> <p>5. Придерживая лампу за основу, отсоедините разъем электропитания.</p> <p>6. Вставьте новую лампу до половины длины в кварцевый кожух.</p> <p>7. Правильно подсоедините разъем электропитания.</p> <p>8. Вставьте лампу в кожух до упора и наденьте на корпус ПВХ-заглушку.</p>
9.	Восстановите подачу воды на установку обеззараживания и проверьте, не была ли во время замены нарушена герметичность уплотнений между корпусом лампы и кварцевым кожухом.
10.	Включите блок обеззараживания в электросеть и убедитесь, что новая лампа работает должным образом. Об этом свидетельствует зеленый цвет индикатора на блоке питания лампы.



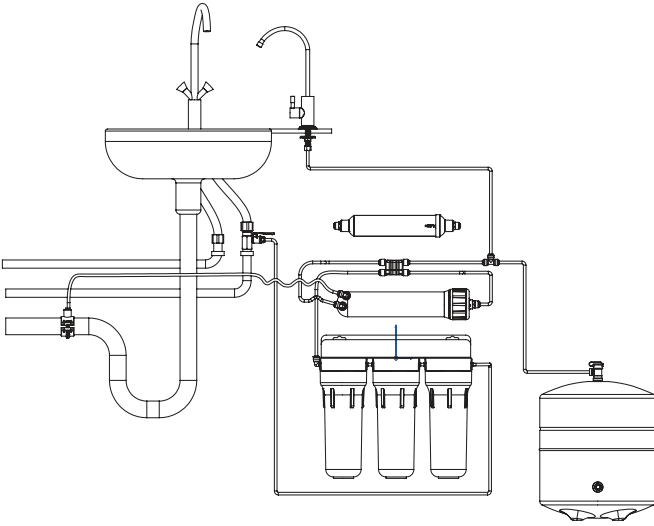
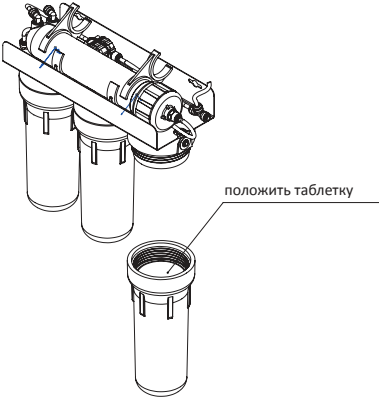
7. ДЕЗИНФЕКЦИЯ СИСТЕМЫ ОБРАТНОГО ОСМОСА

Дезинфекцию фильтров питьевой воды рекомендуется проводить после их продолжительной эксплуатации (~6 месяцев), а также в случаях если фильтр длительное время не использовался (~3 недели). Также желательно проводить дезинфекцию системы при замене картриджей.

Для дезинфекции рекомендуется использовать таблетки на основе активного хлора.

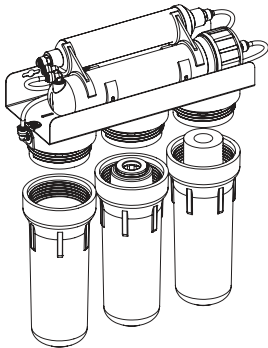
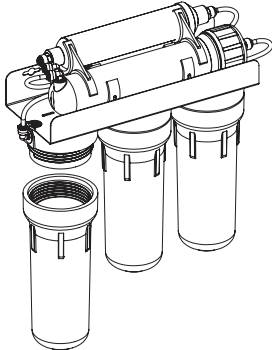
1.	Перекройте кран подачи воды 5 , поверните шаровый кран бака 6 в положение «Закрыто».
2.	Извлеките и утилизируйте картриджи предварительной очистки и угольный постфильтр. 
3.	Извлеките обратноосмотическую мембрану, герметично ее упакуйте и поместите в холодильник с температурой +2...+5 °С (для извлечения мембранного элемента можно использовать круглогубцы).
4.	Закрутите 2-ю и 3-ю колбы по ходу движения воды, корпус мембраны, подключите трубку от крана для очищенной воды к тройнику вместо угольного постфильтра. 

7. ДЕЗИНФЕКЦИЯ СИСТЕМЫ ОБРАТНОГО ОСМОСА

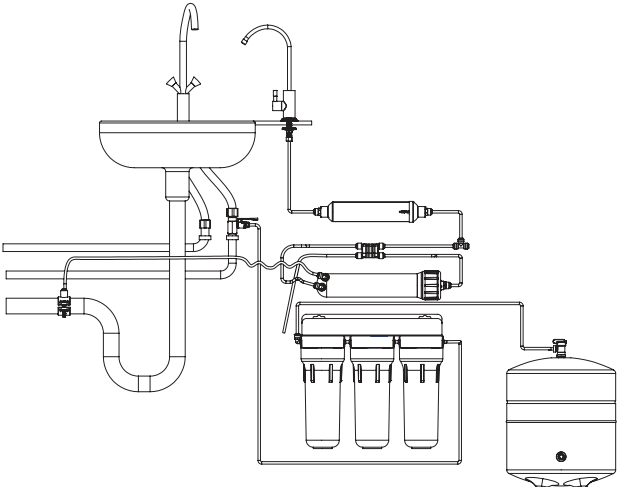
4.	
5.	<p>Положите в 1-ю колбу таблетку для обеззараживания. Залейте колбу водой и закрутите.</p> 
6.	Через 15 минут откройте кран для очищенной воды 3 и кран подачи воды 5 .
7.	В момент когда из крана для очищенной воды пойдет вода с запахом хлора, закройте кран для очищенной воды 3 и кран подачи воды 5 .
8.	Оставьте систему, заполненную раствором, на 2-3 часа.
9.	Откройте кран для очищенной воды 3 и кран подачи воды 5 . Дождитесь исчезновения запаха хлора в воде из крана.
10.	Установите в систему все фильтрующие элементы, откройте шаровой кран бака 6 . Откройте кран подачи воды 5 .
11.	Наполните и слейте не менее двух баков воды (до полного исчезновения запаха хлора).

7. ДЕЗИНФЕКЦИЯ СИСТЕМЫ ОБРАТНОГО ОСМОСА

7.1 ДЕЗИНФЕКЦИЯ НАКОПИТЕЛЬНОГО БАКА

1.	Перекройте кран подачи воды 5 .
2.	Откройте кран для очищенной воды 3 и слейте всю воду в канализацию.
3.	Перекройте шаровой кран бака 6 .
4.	Извлеките картриджи предварительной очистки. 
5.	Закрутите 2-ю и 3-ю колбы по ходу движения воды. 

7. ДЕЗИНФЕКЦИЯ СИСТЕМЫ ОБРАТНОГО ОСМОСА

6.	<p>Отключите трубку, идущую к накопительному баку, от тройника угольного постфильтра и присоедините ее к фитингу 3-й колбы.</p> 
7.	<p>Положите в 1-ю колбу таблетку для обеззараживания. Залейте колбу водой и закрутите.</p>
8.	<p>Через 15 минут откройте шаровый кран бака 6.</p>
9.	<p>Откройте кран подачи воды 5 на 5 минут.</p>
10.	<p>Закройте шаровый кран бака и оставьте бак заполненным раствором на 1-2 часа.</p>
11.	<p>Слейте воду из накопительного бака 6, отключив его трубку от фитинга 3-й колбы. Восстановите первоначальное подключение трубок.</p>
12.	<p>Установите картриджи в систему, откройте шаровый кран бака 6 и кран подачи воды 5.</p>
13.	<p>Наполните и слейте не менее трех баков воды (до полного исчезновения запаха хлора).</p>

8. ВОЗМОЖНЫЕ НЕИСПРАВНОСТИ И СПОСОБЫ ИХ УСТРАНЕНИЯ

НЕИСПРАВНОСТЬ	ПРИЧИНА	КАК УСТРАНИТЬ
Протекание воды из-под фитингов	Не герметично подсоединены трубки	Отсоедините и заново подключите трубки
Протекание из-под дренажного хомута	Дренажный хомут установлен неправильно	Правильно установите дренажный хомут
Протекание из-под колбы	Неправильно установлено уплотняющее кольцо	Проверьте правильность установки уплотняющего кольца (в желобе колбы)
	Колба закручена недостаточно плотно	Плотно закрутите колбу
Вода из крана течет очень слабо	Низкое давление на входе в систему	Проверьте входное давление. Если давление ниже 3 атм. – установите подкачивающую помпу
	Загрязнены картриджи префильтра	Замените картриджи префильтра
	Загрязнена мембрана	Замените мембрану
	Пережата соединительная трубка	Проверьте трубку по всей длине
	Низкое давление в накопительном баке	Давление в накопительном баке без воды должно быть 0,4–0,6 атм. При необходимости подкачайте давление насосом. Операция выполняется специалистом сервисного центра (СЦ)
Повышенный уровень шума	Воздух в авторегуляторе	Воздух будет вытеснен из авторегулятора естественным путем через некоторое время
	Давление на входе в систему выше положенного	Установите регулятор давления. Обратитесь в СЦ
Стук авторегулятора	Колебания давления в сети	Установите обратный клапан на входе водопроводной сети в квартиру. Проверьте давление в сухом мембранном баке. Давление в накопительном баке без воды должно быть 0,4–0,6 атм. При необходимости подкачайте давление насосом. Операция выполняется специалистом СЦ

8. ВОЗМОЖНЫЕ НЕИСПРАВНОСТИ И СПОСОБЫ ИХ УСТРАНЕНИЯ

Вода постоянно течет в дренаж.	Низкое давление на входе в систему	Проверьте входное давление. Если давление ниже 3 атм. – установите повышающую помпу
	Загрязнены картриджи префильтра	Заменить картриджи префильтра
	Загрязнена мембрана	Замените мембрану
	Неисправен авторегулятор	Проверьте работоспособность авторегулятора (при закрытом шаровом кране накопительного бака авторегулятор через несколько минут должен перекрыть подачу воды на систему). Обратитесь в СЦ
	Неисправен обратный клапан в корпусе мембраны	При неисправном обратном клапане накопительный бак заполнен, сброс воды в дренаж не прекращается. Обратитесь в СЦ
	Низкое давление в накопительной емкости	Проверьте давление в сухом накопительном баке. Давление в накопительном баке без воды должно быть 0,4–0,6 атм. При необходимости подкачайте давление насосом. Операция выполняется специалистом СЦ
	Отсутствует либо неправильно установлен ограничитель потока	Проверьте наличие ограничителя потока на выходе из мембранодержателя (корпуса мембраны). Он должен быть вставлен в трубку черного цвета и подсоединен к выходу из мембранодержателя. Если та сторона трубки, в которую вставлен ограничитель потока, направлена в канализацию – переставьте трубку (прочистив ограничитель). Если ограничителя потока нет – вероятно, его смыло в канализацию. Установите новый ограничитель потока (подсоедините конец трубки с ограничителем к выходу из мембранодержателя).
Вода не вытекает из дренажной трубки при подаче воды на систему	Накопительный бак заполнен	Откройте кран очищенной воды. Если после слива очищенной воды из бака начнется слив в дренаж – система работает нормально
	Забит ограничитель потока	Прочистите или замените ограничитель потока
	Несоответствие отверстия в дренажном хомуте и канализационной трубе	Установите дренажный хомут правильно, повторно проверьте работу системы
Вода имеет белый оттенок, который исчезает при отстаивании	Воздух в системе	Воздух в системе – нормальное явление в начале работы системы. Через некоторое время данный эффект проходит. Внимание! Пузырьки воздуха могут появиться в очищенной воде в холодное время года, при большой разнице температур воды и помещения

8. ВОЗМОЖНЫЕ НЕИСПРАВНОСТИ И СПОСОБЫ ИХ УСТРАНЕНИЯ

Вода имеет привкус и запах	Ресурс угольного постфильтра исчерпан	Замените картридж
	Дезинфицирующий раствор мембраны не смыт	Спустите воду из бака в слив, наберите бак повторно
	Загрязнение в системе	Проведите обеззараживание системы в соответствии с рекомендациями разделов 7 и 7.1
	Загрязнен бак	Замените бак Внимание! Бак может загрязняться при длительной эксплуатации системы и несвоевременной замене картриджей
Мало воды в накопительном баке	Высокое давление в воздушной камере накопительного бака	Давление в накопительном баке без воды должно быть 0,4–0,6 атм. При необходимости сбавьте давление. Операция выполняется специалистом СЦ
	Закрит кран на накопительном баке	Проверьте положение крана на баке

9. ДНЕВНИК ТЕХНИЧЕСКОГО ОБСЛУЖИВАНИЯ

Производитель настоятельно рекомендует внимательно вести записи в дневнике технического обслуживания. Информация, зафиксированная в дневнике, поможет специалисту при работе с вашей системой обратного осмоса. Также данная информация может быть затребована производителем в случае каких-либо отклонений в работе системы.

ВВОД В ЭКСПЛУАТАЦИЮ

Дата ввода в эксплуатацию, ДД:ММ:ГГ	Давление на входе	Произведено обслуживание, ДА/НЕТ	Время наполнения бака, ЧЧ:ММ	Конверсия (recovery)	Рекомендации	Сведения о дополнително установленном оборудовании: наименование, дата монтажа (пример: рeактор, помпа, фильтр, преарительный очистки и т.п.)	Название компании, проводившей монтаж системы	ФИО техника, специалиста, проводившего монтаж системы	Контактная информация: вид монтажа (номер организации и номер телефона, адрес, электронная почта)
-------------------------------------	-------------------	----------------------------------	------------------------------	----------------------	--------------	---	---	---	---

РАБОТЫ ПО ПОДКЛЮЧЕНИЮ ВЫПОЛНЕНЫ, ИЗДЕЛИЕ ПРОВЕРЕНО, ПРЕТЕНЗИЙ К КАЧЕСТВУ РАБОТЫ И КОМПЛЕКТАЦИИ НЕТ. ВЫПОЛНЕНИЕ РАБОТ ПОДТВЕРЖДАЮ

Владелец оборудования

Подпись/ФИО

Представитель сервисного центра

Подпись/ФИО

РУС

9. ДНЕВНИК ТЕХНИЧЕСКОГО ОБСЛУЖИВАНИЯ

ТЕХНИЧЕСКОЕ ОБСЛУЖИВАНИЕ

Наименование работ				
Расходные материалы, которые были использованы при техническом обслуживании				
Произведена дезинфекция системы/ бака				
Время наполнения бака, ЧЧ:ММ				
Соотношение пермеат/ концентрат				
Дата технического обслуживания				
Название компании, которая выполняла техническое обслуживание				
ФИО специалиста				
Работы выполнены, претензий к качеству выполнения работ нет. Подпись владельца/обслуживания				

10. БЕЗОПАСНОСТЬ ЗДОРОВЬЯ И ОКРУЖАЮЩЕЙ СРЕДЫ

Изделие не оказывает химического, радиоактивного, электрохимического воздействия на окружающую среду. Не относится к вредным по степени воздействия на организм человека, соответствуют санитарному законодательству Украины при использовании по назначению в сфере применения.

11. ПРАВИЛА ПОКУПКИ

Покупку желательно осуществлять в авторизованных центрах продаж.

При покупке необходимо проверить целостность упаковки, наличие механических повреждений и других отклонений, комплектацию (не вскрывая пакет), наличие сопроводительной документации, в частности инструкции и гарантийного талона.

12. ТРАНСПОРТИРОВКА И ХРАНЕНИЕ

Транспортировка изделия допускается любым транспортным средством (кроме неотапливаемых в холодное время года). В соответствии с правилами перевозки грузов, действующими на каждом виде транспорта .

При погрузочно-разгрузочных работах и транспортировке необходимо придерживаться требований манипуляционных знаков на упаковке.

Изделия должны храниться в закрытых помещениях, где исключена возможность механических повреждений, влияния влаги и химически активных веществ. Изделия должны храниться в упаковке производителя при температуре окружающей среды от 5 °С до 40 °С и относительной влажности до 80%, на расстоянии не менее 1 м от отопительных приборов.

13. ГАРАНТИЙНЫЕ ОБЯЗАТЕЛЬСТВА

Мы благодарны вам за то, что вы приобрели систему обратного осмоса производства компании Ecosoft.

Мы надеемся, что данная система будет служить долго и дарить вам и вашей семье удовольствие от чистой питьевой воды.

Производитель гарантирует, что данная система очистки воды не содержит производственных дефектов и что такие дефекты не выявятся в течение гарантийного срока, указанного в гарантийном талоне, с момента реализации со склада производителя, в случае если система очистки установлена и работает в соответствии с техническими требованиями и условиями эксплуатации.

Во избежание недоразумений убедительно просим вас внимательно изучить Инструкцию по подключению и эксплуатации системы обратного осмоса, условия гарантийных обязательств, проверить правильность заполнения гарантийного талона, наличие документа, подтверждающего приобретение (кассовый, товарный чек, накладная, акт ввода в эксплуатацию). Гарантийный талон действителен только при наличии правильно

указанных: модели, даты продажи, четких печатей фирмы-продавца. Для правильной установки системы детально изучите инструкцию по ее подключению и эксплуатации или обратитесь за помощью к квалифицированному специалисту.

Производитель не несет ответственности за какое-либо повреждение имущества или какой-либо другой вред, включая утраченную выгоду, возникший случайно или вследствие эксплуатации или невозможности эксплуатации этого изделия.

Материальная ответственность Производителя в соответствии с данной Гарантией не может превышать стоимости этого фильтра.

Гарантийные обязательства не распространяются на:

- сменные элементы (картриджи, обратноосмотическую мембрану, угольный постфильтр, минерализатор или другие сменные элементы, которыми может быть укомплектована система);
- электрическое оборудование при отсутствии в электросети заземления, а также в случае отсутствия стабилизатора напряжения;
- комплектующие, требующие замены в результате их естественного износа;
- неисправности и неполадки, которые возникли вследствие несвоевременной замены сменных элементов, сроки которой указаны в настоящей Инструкции по эксплуатации, а также при использовании сменных элементов других производителей.

Все претензии к качеству воды, вкусу, запаху и другим свойствам воды, очищенной с помощью данного фильтра, принимаются только при наличии подтверждающего протокола анализа, выполненного исследовательской аккредитованной лабораторией.

Случаи, не предусмотренные данной Гарантией, регулируются Законодательством.

Стандартное подключение работником сервисной службы

Стандартное подключение производится только на трубы диаметром 1/2 дюйма и при наличии вентиля для отключения воды непосредственно в квартире.

Перечень работ, выполняемых работником сервисной службы при стандартном подключении:

- установка входной муфты и крана подачи воды в водопроводную трубу;
- установка крана для очищенной воды на мойку или столешницу;
- установка модуля фильтрации, дренажного хомута и подключение цветными трубками;
- проверка системы на герметичность рабочих узлов и корректности работы системы в целом;
- заполнение акта выполненных работ;
- заполнение журнала технического обслуживания.

Дополнительно работник сервисной службы может предложить и установить:

- регулятор давления;
- компенсатор гидроудара;
- систему защиты от протечек воды;
- другое оборудование, которое улучшит работу основного оборудования;
- сервисное обслуживание.

Дополнительно оплачиваются:

- транспортные расходы сервисной службы;
- выезд сервисной службы в нерабочее время;
- подключение к существующим точкам водоснабжения, где не обеспечено гибкое соединение и требуется изменение конструкции трубопровода с применением специального инструмента и дополнительных материалов и комплектующих;
- установка крана для очищенной воды на поверхности, изготовленной из материала, требующего применения специального оборудования (чугун, искусственный камень, керамогранит и другие искусственные материалы);
- установка регулятора давления;
- установка компенсатора гидроудара;
- установка системы защиты от протечек воды;
- установка другого оборудования, которое улучшит работу основного оборудования;
- сервисное обслуживание.

Сервисная служба не несет ответственности за состояние подводящих водопроводных труб и сантехнической арматуры покупателя. Неудовлетворительное состояние подводящих водопроводных труб, сантехнической арматуры и невыполнение покупателем необходимых согласно инструкции по эксплуатации условий для подключения фильтра является основанием для отказа в предоставлении услуг по подключению.

ВНИМАНИЕ!!! В случае самостоятельного подключения системы производитель не несет ответственности и не принимает претензии, которые могут быть вызваны неправильным подключением и некорректной работой системы в целом.

14. СЕРТИФИЦИРОВАННЫЕ СЕРВИСНЫЕ ЦЕНТРЫ В ВАШЕМ РЕГИОНЕ

ДЛЯ ЗАМЕТОК

CUPRINS

1	Destinația sistemului	170
2	Caracteristici și complecția	172
2.1	Simboluri convenționale și codurile modelelor	172
2.2	Specificații tehnice	173
2.3	Cerințe față de apa furnizată sistemului de osmoză inversă	173
2.4	Complecția sistemului de osmoză inversă	174
3	Scheme de conectare	176
3.1	Schema de conectare a sistemului cu complecția de bază	176
3.2	Schema de conectare a sistemului cu mineralizator	177
3.3	Schema de conectare a sistemului cu lampă UV	178
3.4	Schema de conectare a sistemului cu pompă	179
3.5	Schema de conectare a sistemului cu mineralizator și pompă	180
3.6A	Schema de conectare a sistemului cu mineralizator și lampă UV, cu robinet obișnuit pentru apa purificată	181
3.6B	Schema de conectare a sistemului cu mineralizator și lampă UV, cu robinet dublu pentru apa purificată	182
3.7	Schema de conectare a sistemului cu lampă UV și pompă	183
3.8A	Schema de conectare a sistemului cu mineralizator, lampă UV și pompă, cu robinet obișnuit pentru apa purificată	184
3.8B	Schema de conectare a sistemului cu mineralizator, lampă UV și pompă, cu robinet dublu pentru apa purificată	185
4	Consecutivitatea acțiunilor la montarea sistemului de osmoză inversă	186
4.1	Verificarea parametrilor de intrare	186
4.2	Montarea	186
5	Consecutivitatea acțiunilor după montare	190
6	Reguli de exploatare	190
6.1	Destinația pieselor și înlocuirea acestora	191
6.2	Consecutivitatea acțiunilor la înlocuirea cartușelor de prefiltrare	191
6.3	Consecutivitatea acțiunilor la înlocuirea membranei	193
6.4	Consecutivitatea acțiunilor la înlocuirea cartușului cu cărbune activ și/sau a mineralizatorului	194
6.5	Consecutivitatea acțiunilor la înlocuirea lămpii UV	194
7	Dezinfectarea sistemului de osmoză inversă	196
7.1	Dezinfectarea rezervorului de stocare	198
8	Eventuale defecțiuni și modalități de înlăturare a acestora	200
9	Registru de deservire tehnică	203
10	Protecția sănătății și mediului ambiant	205
11	Reguli de achiziționare	205
12	Transportarea și depozitarea	205
13	Garanția	205
14	Centre de deservire autorizate în regiunea Dvs	207

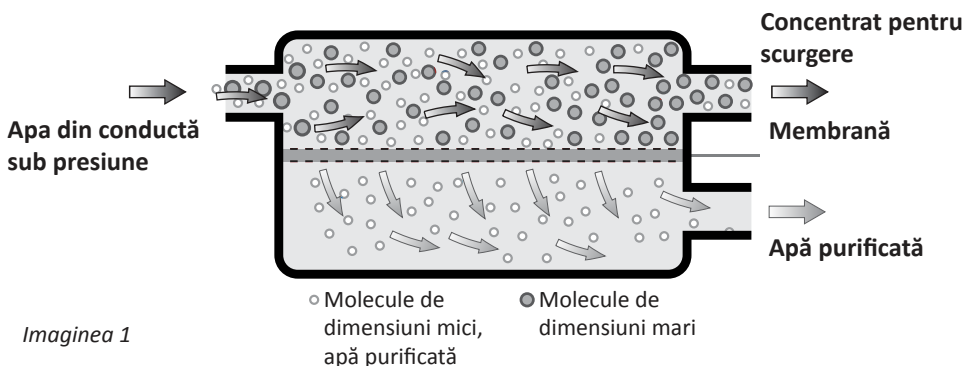
1. DESTINAȚIA SISTEMULUI

Osmoza inversă este în prezent cea mai avansată tehnologie de purificare a apei. Datorită membranei speciale semipermeabile, asemănătoare după caracteristicile sale cu membrana naturală a unei celule vii, este posibilă filtrarea eficientă a apei potabile practic de toate impuritățile dăunătoare, inclusiv de nitrați și viruși (Imaginea 1). Porii unei astfel de membrane sunt de 200 de ori mai mici, decât virușii, și de 4000 de ori mai mici, decât bacteriile. Filtrele cu osmoză inversă funcționează după principiul metabolismului unui organism viu la nivel celular. Prin membrana celulei pot trece doar moleculele de anumite dimensiuni. Temerile anumitor consumatori ce țin de faptul că apa purificată cu ajutorul filtrelor cu osmoză inversă este lipsită de toate microelementele benefice pentru organism nu sunt pe deplin îndreptățite, întrucât 96% dintre mineralele necesare omul le preia din alimente, dar nu din apă.

Sistemul de osmoză inversă reprezintă o instalație de filtrare în cinci trepte, care funcționează după următoarea schemă. Filtrul se unește la apeductul de apă rece, cu ajutorul unui racord de intrare 4 și a robinetului de apă 5. Tubul roșu unește robinetul de apă cu primul balon (marginal dreapta) al modulului de filtrare.

Apa trece mai întâi prin cartușele de prefiltrare 9. Acestea sunt destinate pentru înlăturarea impurităților mecanice, precum rugina, nisipul, nămolul etc. și îndepărtarea clorului rezidual, compușilor organici și a celor organici clorurați.

După procesul de prefiltrare apa ajunge la cea de-a patra (și cea mai importantă) etapă – membrana de osmoză inversă 11, care se află într-o carcasă specială. Carcasa membranei are o intrare, care este unită, prin supapa de închidere (autoregulator), cu cel de-al treilea balon (marginal stânga) al modulului de filtrare, și două ieșiri: una pentru apa filtrată (permeat), iar a doua – pentru apa murdară (concentrat). Membrana purifică apa la nivel molecular, lăsând să treacă prin porii săi doar moleculele de apă și oxigenul dizolvat.



După membrana fluxul de apă se împarte în două părți – concentratul, care este eliminat în

1. DESTINAȚIA SISTEMULUI

sistemul de canalizare, și permeatul, care ajunge în rezervorul de stocare 2. Rezervorul este unit cu ieșirea membranei, prin intermediul autoregulatorului și supapa de reținere, încorporată în fitting, care se înșurubează în ieșirea carcasei membranei. După autoregulator este montat un teu, prin intermediul căruia rezervorul este unit cu modulul de filtrare cu ajutorul unui tub galben. Pe racordul superior al rezervorului este montat robinetul cu bilă al rezervorului 6.

Rezervorul din componența sistemului îndeplinește funcția de stocare a apei purificate, întrucât membrana de osmoză inversă în regimul unui flux direct nu poate asigura un randament suficient pentru utilizator. De exemplu, dacă în filtru este montată o membrană cu randamentul de 50 GPD (7,9 l/h), atunci un pahar cu volumul de 200 ml se va umple în mai mult de 1,5 min. De aceea sistemul stochează apa purificată în rezervor, de unde consumatorul o poate lua atunci când are nevoie, după care se formează noi rezerve de apă. Volumul rezervorului depinde de configurația sistemului. Timpul de umplere a rezervorului poate oscila de la 1,5 până la 3 ore. După umplerea rezervorului autoregulatorul blochează furnizarea apei prin cartușele de prefiltrare către membrană și sistemul se deconectează. După deschiderea robinetului pentru apă pură 3 presiunea apei din rezervorul de stocare scade și autoregulatorul începe în mod automat livrarea apei prin cartușele de prefiltrare, către membrană, pentru suplinirea volumului de apă în rezervor. Apa murdară (concentratul) este eliminată în sistemul de canalizare, prin ieșirea carcasei membranei, unită printr-un tub de culoare neagră cu colierul de scurgere 8, care este montat pe țeava de canalizare. **Pentru crearea unei contrapresiuni, necesare pentru menținerea presiunii de lucru în interiorul membranei, în sistemul de drenaj este montat un regulator de flux 14, care reprezintă o bucă din masă plastică cu orificiu al bobinei calibrat. Regulatorul de flux este montat în tubul negru, dinspre partea de conectare către carcasa membranei.**

Din rezervorul de stocare apa purificată ajunge, prin teu, la cea de-a cincea treaptă de filtrare, cu ajutorul unui post-filtru cu cărbune activ, destinat pentru purificarea finală a apei. Acesta conține cărbune activ de calitate înaltă, din coji de nucă de cocos. Acest filtru corectează gustul și mirosul apei purificate, conferindu-i un gust dulcișor rafinat. Post-filtrul cu cărbune activ este conectat, cu ajutorul unui tub de culoare albastră, la robinetul de apă purificată 3, care este montat nemijlocit pe chiuvetă sau blatul de bucătărie.

2. CARACTERISTICI ȘI CONFIGURAȚIE

2.1. SIMBOLURI CONVENȚIONALE ȘI CODURILE MODELELOR

Modele

MO 5-36(50,75,100)
MO 5-36(50,75,100)P
MO 6-36(50,75,100)M
MO 6-36(50,75,100)MP
MO 6-36(50,75,100)UV
MO 6-36(50,75,100)UVP
MO 7-36(50,75,100)MUV
MO 7-36(50,75,100)MUV P

MO	*	_	***	****	*****
1	2	3	4	5	

1 – Tipul filtrului. MO – osmoză inversă.

2 – Numărul treptelor de filtrare.

3 – Randamentul membranei de osmoză inversă în GPD (galoni pe zi):

36GPD	136 de litri pe zi	5,6 litri pe oră
50GPD	190 de litri pe zi	7,9 litri pe oră
75GPD	280 de litri pe zi	11,6 litri pe oră
100GPD	380 de litri pe zi	15,8 litri pe oră

*Randamentul sistemului de osmoză inversă are, în general, un caracter schimbător și depinde de un șir de factori, printre care: calitatea apei-sursă; starea (uzura, astuparea) cartușelor de prefiltrare, a membranei; presiunea apei la intrare; temperatura apei furnizate.

4 – Simboluri convenționale pentru configurația suplimentară:

M	sistemul este dotat în mod suplimentar cu mineralizator
P**	sistemul este dotat în mod suplimentar cu pompă pentru creșterea presiunii
UV	sistemul este dotat în mod suplimentar cu lampă UV

5 – Marca comercială

De exemplu: codul MO775MUVPEcosoft înseamnă că în setul sistemului de osmoză inversă cu 7 trepte de filtrare este montată o membrană cu randamentul de 75 de galoni pe zi (11,6 l/h), iar din opțiunile suplimentare are incluse mineralizator, lampă UV și pompă de presiune. Marca comercială Ecosoft.

**Modele dotate cu pompă pentru creșterea presiunii (conțin litera „P” în model), destinate pentru conectarea la o rețea monofazată de curent alternativ, cu tensiunea de 230 V / 50 Hz.

Sistemul este dotat cu cablu de alimentare cu ștecăr și poate fi conectat la o priză cu împământare, care corespunde standardelor.

ÎNAINTE DE EFECTUAREA ORICĂROR LUCRĂRI SISTEMUL TREBUIE SĂ FIE DECONECTAT DE LA SURSA DE ENERGIE.

ATENȚIE!

Montarea și pornirea sistemului dat trebuie să fie asigurată de un specialist, ce are o calificare corespunzătoare și deține experiența necesară.

Sistemul este destinat pentru purificarea apei reci.

2. CARACTERISTICI ȘI CONFIGURAȚIE

2.2. SPECIFICAȚII TEHNICE

	Denumirea parametrului	Valori
1	Presiunea la intrare în cazul unui sistem fără pompă, atm.	3-6*
2	Presiunea la intrare în cazul unui sistem cu pompă, atm.	2-4,5*
3	Presiunea în rezervorul cu membrană, atm.	0,4-0,6**
4	Temperatura apei de intrare, °C	+4... +30***
5	Greutatea sistemului, kg (configurație de bază)	6
6	Temperatura admisibilă a mediului ambiant, °C	+5... +40***
7	Conectarea externă la conducta de apă, inch	Cu filet, 1/2
8	Dimensiunile sistemului, Î x L x A (configurație de bază), mm	350x450x150
9	Dimensiunile rezervorului, Î x L x A, mm	350x260x260

* Dacă presiunea în sistemul de alimentare cu apă este mai mică decât valorile indicate, trebuie să fie ales un sistem cu pompă sau să fie montată pompa în mod suplimentar. Dacă presiunea în sistemul de alimentare cu apă este mai mare decât valorile indicate, trebuie să fie montat un regulator de presiune la intrare, înaintea sistemului de osmoză inversă.

** Dacă presiunea este mai mică sau mai mare decât cea indicată, este necesar ca aceasta să fie crescută sau redusă.

*** Dacă temperatura apei de intrare este între +20...+30°C, se reduce nesemnificativ selectivitatea membranei și crește randamentul, ceea ce are drept rezultat creșterea nesemnificativă a indicatorului TDS. Utilizarea sistemului în cazurile în care temperatura apei de intrare depășește +30°C nu este recomandată.

RO

2.3. CERINȚE FAȚĂ DE APA FURNIZATĂ SISTEMULUI DE OSMOZĂ INVERSĂ*

	Denumirea indicatorului	VALORI**
1	pH	6,5-8,5
2	Mineralizare, mg/l	<1500
3	Duritate, mEq/l	<10,0
4	Clor liber, mg/l	<0,5
5	Fier, mg/l	<0,3
6	Mangan, mg/l	<0,1
7	Oxidarea permanganatului, mg O ₂ /l	<5
8	Numărul total de bacterii (NTB), un./mg	<50
9	Indicele Coli	<3

* Dacă indicii apei furnizate în sistem nu corespund cerințelor indicate, durata de viață a membranei și cartușelor se poate reduce.

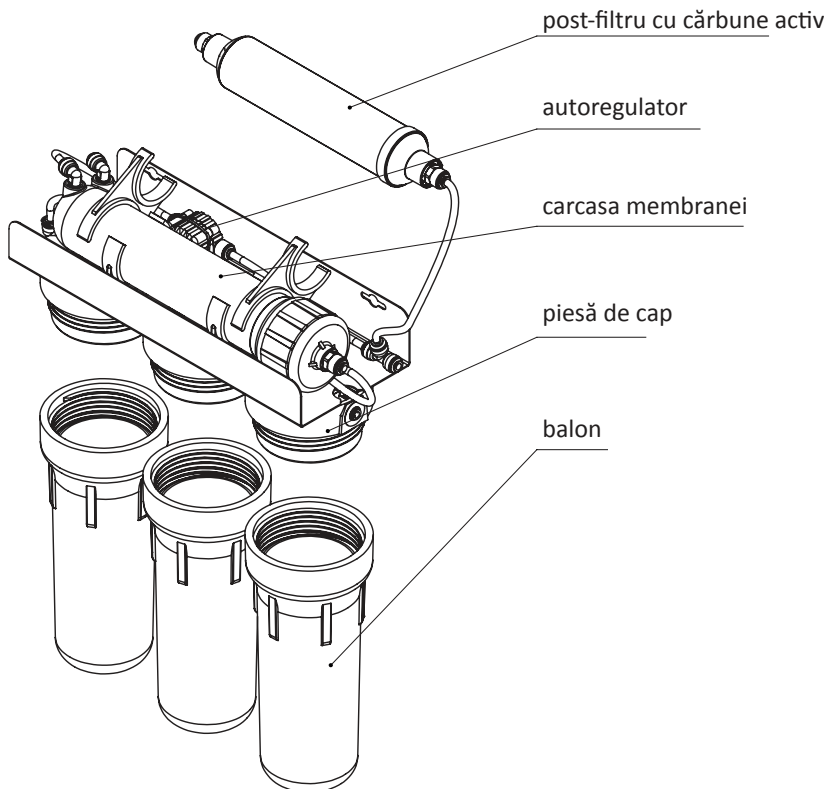
** La montarea sistemului de osmoză inversă în sonde sau puțuri se recomandă să fie efectuată în prealabil analiza chimică a apei. Dacă anumiți indicatori depășesc valorile indicate în tabel, este preferabil să fie montate filtre suplimentare înaintea sistemului de osmoză inversă. În ceea ce ține de întrebările privind alegerea filtrelor trebuie să consultați specialiști din cadrul firmelor ce asigură purificarea profesională a apei.

2. CARACTERISTICI ȘI CONFIGURAȚIE

2.4. CONFIGURAȚIA SISTEMULUI DE OSMOZĂ INVERSĂ

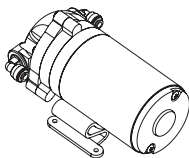
Producătorul își rezervă dreptul de a introduce modificări în construcția/configurația produsului, în cazul în care aceste modificări nu implică înrăutățirea proprietăților de consum ale acestuia

1) Modulul de filtrare

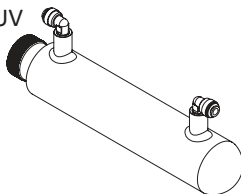


Opțiuni:

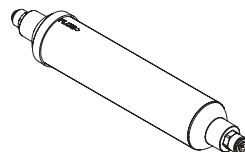
Pompă



Lampă UV



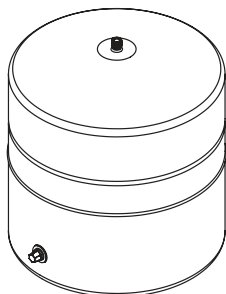
Mineralizator
(și/sau alt post-filtru)



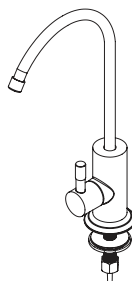
2. CARACTERISTICI ȘI CONFIGURAȚIE

2.4. CONFIGURAȚIA SISTEMULUI DE OSMOZĂ INVERSĂ

2) Rezervor de stocare



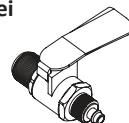
3) Robinet pentru apa purificată



4) Racord de intrare



5) Robinet de furnizare a apei



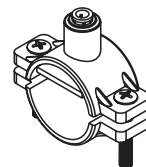
6) Robinetul cu bilă al rezervorului



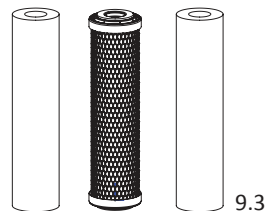
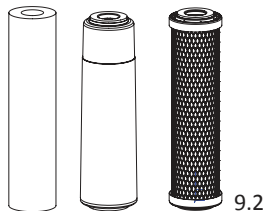
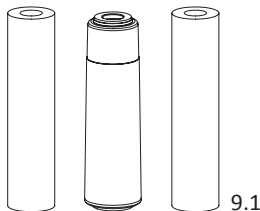
7) Set de tuburi colorate (4 buc.)



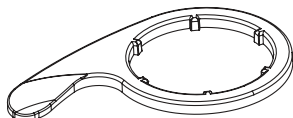
8) Colier de scurgere



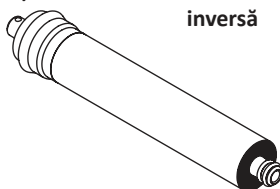
9) Set de cartușe de prefiltrare (depind de modelul sistemului)



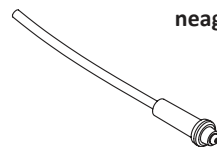
10) Cheie pentru carcasa prefiltrelor



11) Membrană de osmoză inversă



12) Regulator de flux (inșerat în tubul de culoare neagră)

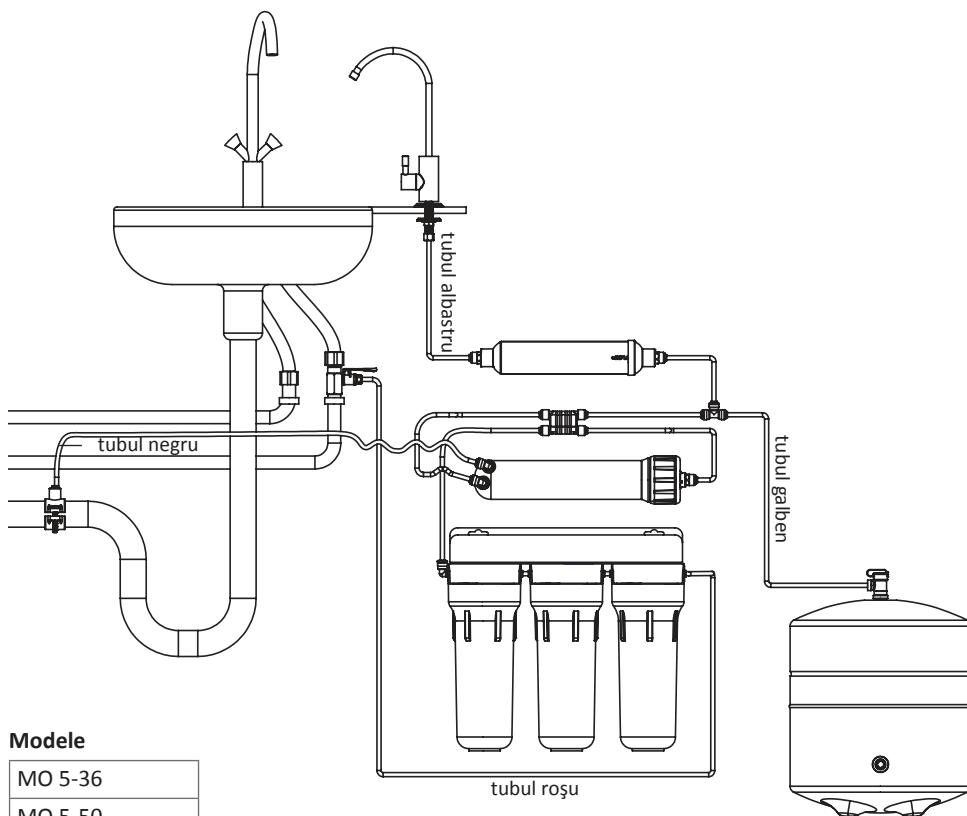


13) **Clips de blocare** – accesoriu montat în modulul de filtrare, care protejează modulul împotriva eventualei desprinderi a tubului în locurile ușor accesibile. Prezența clipsului nu influențează ermeticitatea conexiunii. Numărul clipsurilor în articol se poate schimba în funcție de construcția sistemului de osmoză inversă, ceea ce nu influențează capacitatea de funcționare a acestuia.



3. SCHEME DE CONECTARE

3.1. SCHEMA DE CONECTARE A SISTEMULUI CU CONFIGURAȚIE DE BAZĂ



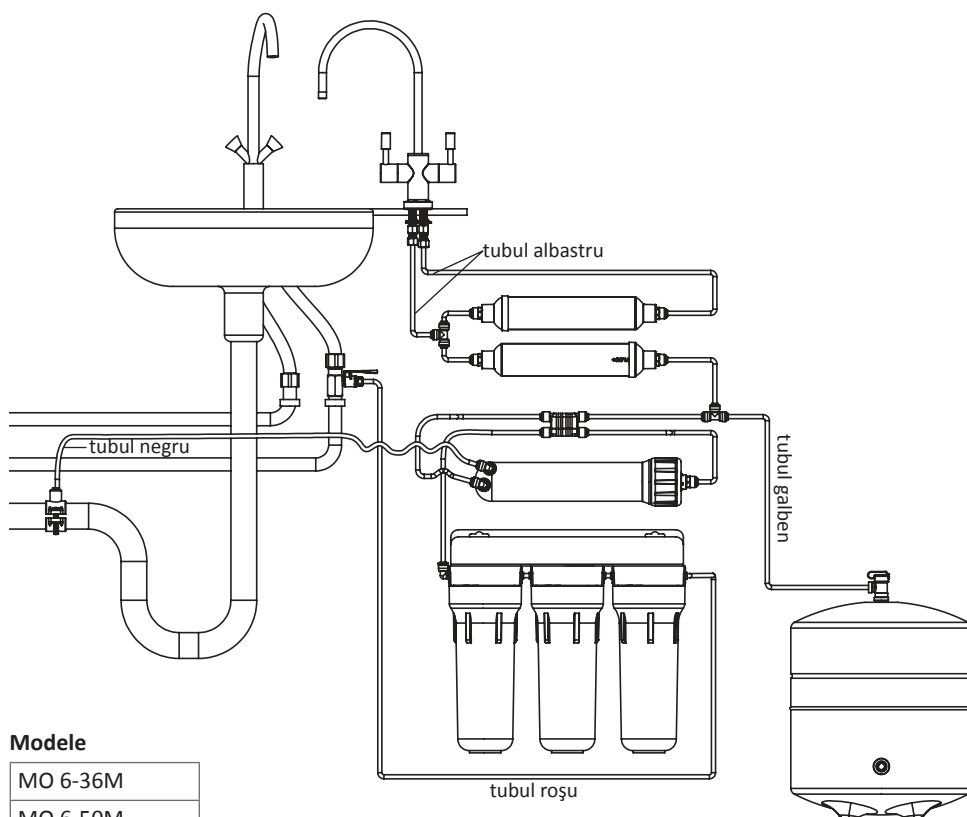
Modele

MO 5-36
MO 5-50
MO 5-75
MO 5-100

Producătorul își rezervă dreptul de a introduce modificări în construcția/configurația articolului, în cazul în care aceste modificări nu implică înrăutățirea proprietăților de consum ale acestuia.

3. SCHEME DE CONECTARE

3.2. SCHEMA DE CONECTARE A SISTEMULUI CU MINERALIZATOR



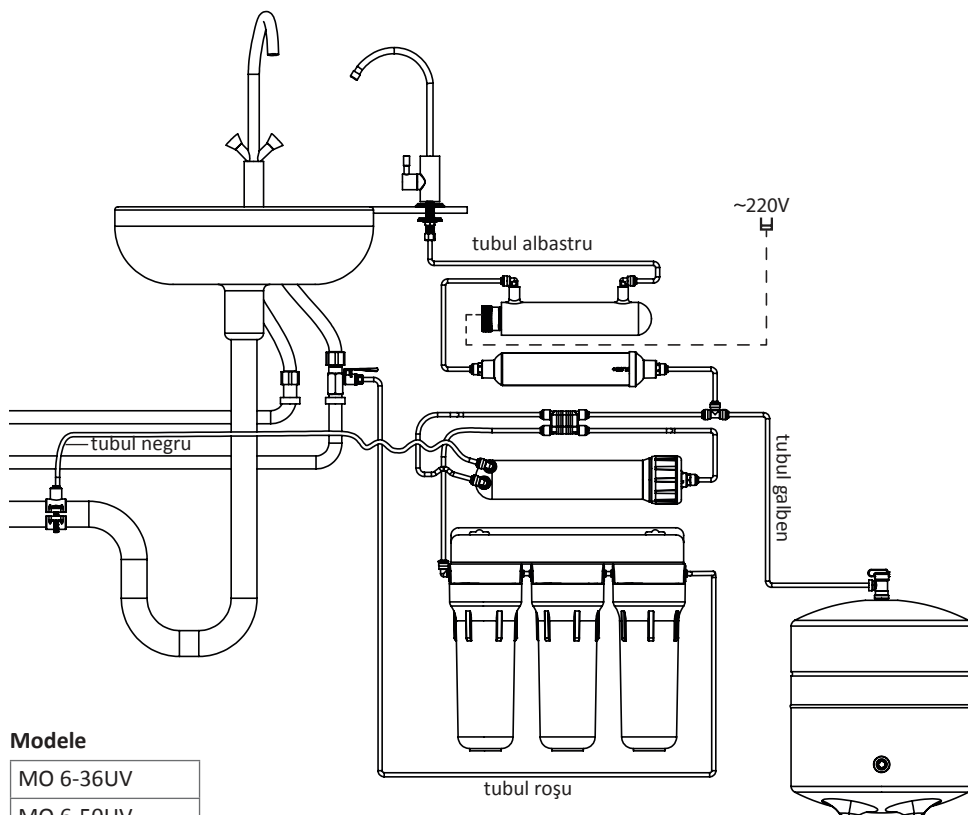
Modele

MO 6-36M
MO 6-50M
MO 6-75M
MO 6-100M

Producătorul își rezervă dreptul de a introduce modificări în construcția/configurația articolului, în cazul în care aceste modificări nu implică înrăutățirea proprietăților de consum ale acestuia.

3. SCHEME DE CONECTARE

3.3. SCHEMA DE CONECTARE A SISTEMULUI CU LAMPĂ UV



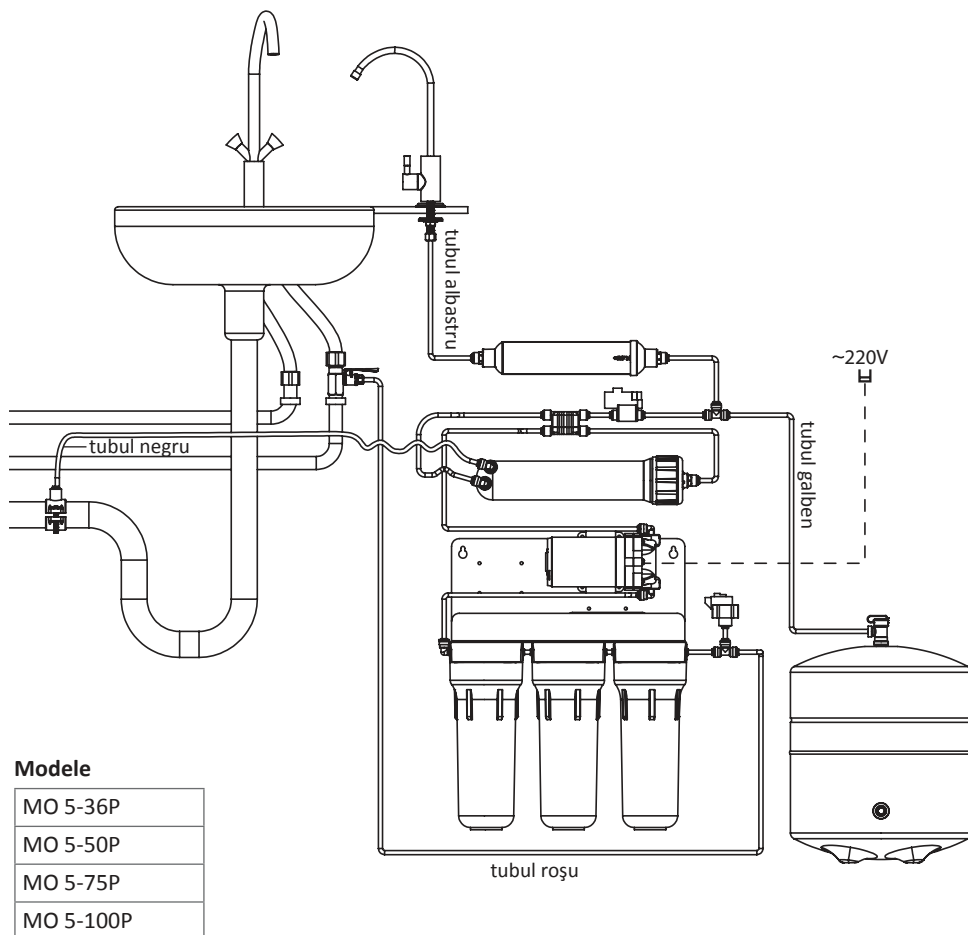
Modele

MO 6-36UV
MO 6-50UV
MO 6-75UV
MO 6-100UV

Producătorul își rezervă dreptul de a introduce modificări în construcția/configurația articolului, în cazul în care aceste modificări nu implică înrăutățirea proprietăților de consum ale acestuia.

3. SCHEME DE CONECTARE

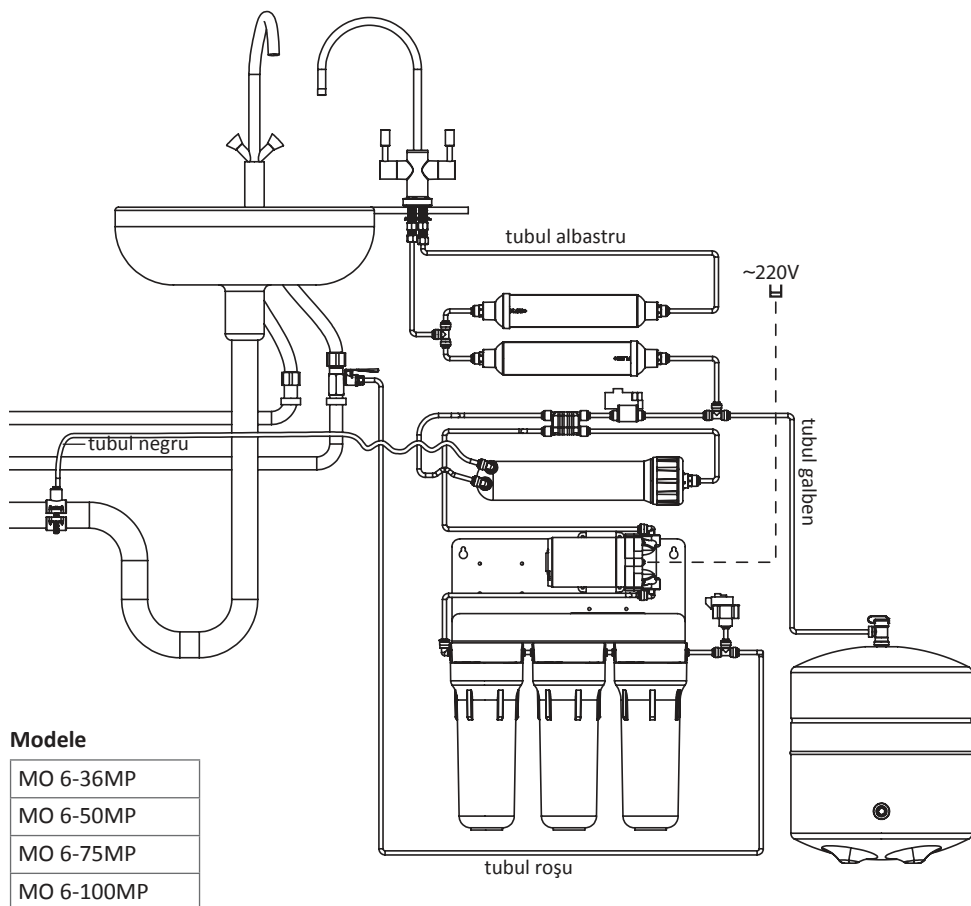
3.4. SCHEMA DE CONECTARE A SISTEMULUI CU POMPĂ



Producătorul își rezervă dreptul de a introduce modificări în construcția/configurația articolului, în cazul în care aceste modificări nu implică înrăutățirea proprietăților de consum ale acestuia.

3. SCHEME DE CONECTARE

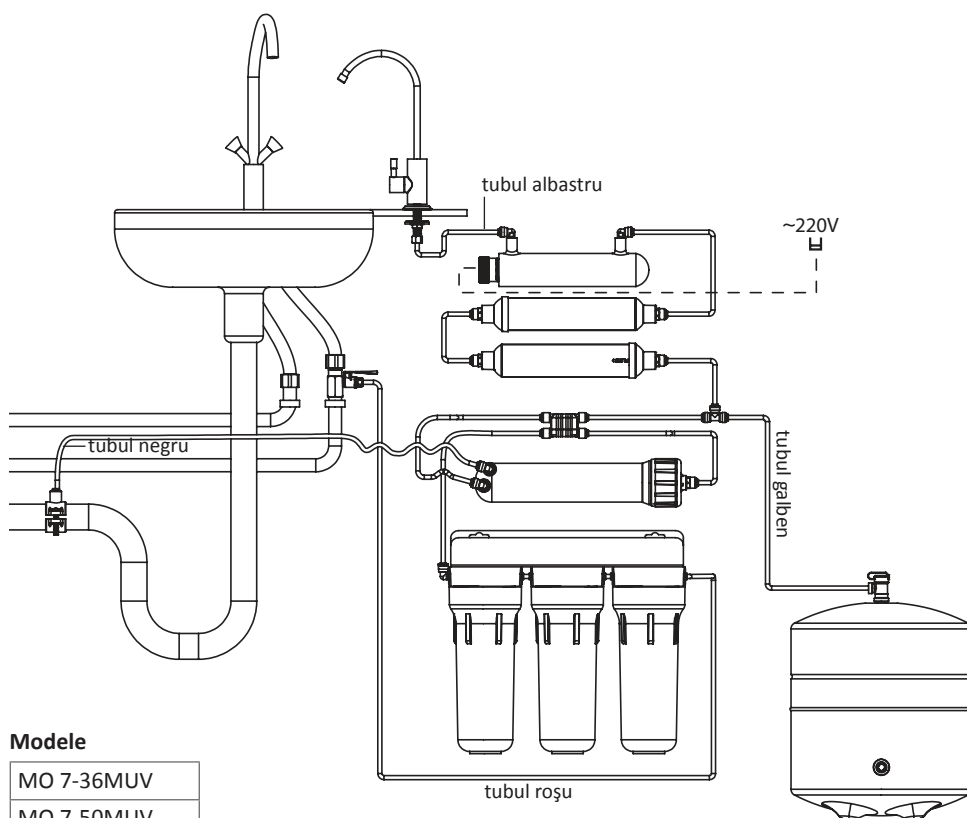
3.5. SCHEMA DE CONECTARE A SISTEMULUI CU MINERALIZATOR ȘI POMPĂ



Producătorul își rezervă dreptul de a introduce modificări în construcția/configurația articolului, în cazul în care aceste modificări nu implică înrăutățirea proprietăților de consum ale acestuia.

3. SCHEME DE CONECTARE

3.6A. SCHEMA DE CONECTARE A SISTEMULUI CU MINERALIZATOR ȘI LAMPĂ UV, CU ROBINET OBÎȘNUIT PENTRU APA PURIFICATĂ



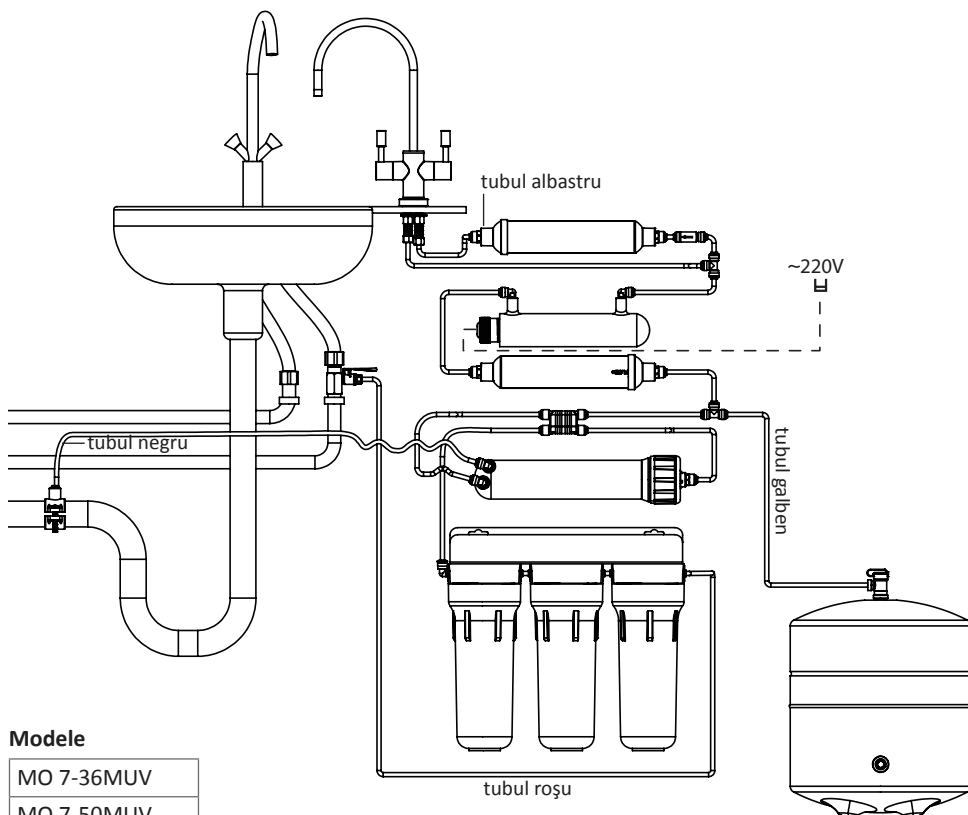
Modele

MO 7-36MUV
MO 7-50MUV
MO 7-75MUV
MO 7-100MUV

Producătorul își rezervă dreptul de a introduce modificări în construcția/configurația articolului, în cazul în care aceste modificări nu implică înrăutățirea proprietăților de consum ale acestuia.

3. SCHEME DE CONECTARE

3.6B. SCHEMA DE CONECTARE A SISTEMULUI CU MINERALIZATOR ȘI LAMPĂ UV, CU ROBINET DUBLU PENTRU APA PURIFICATĂ



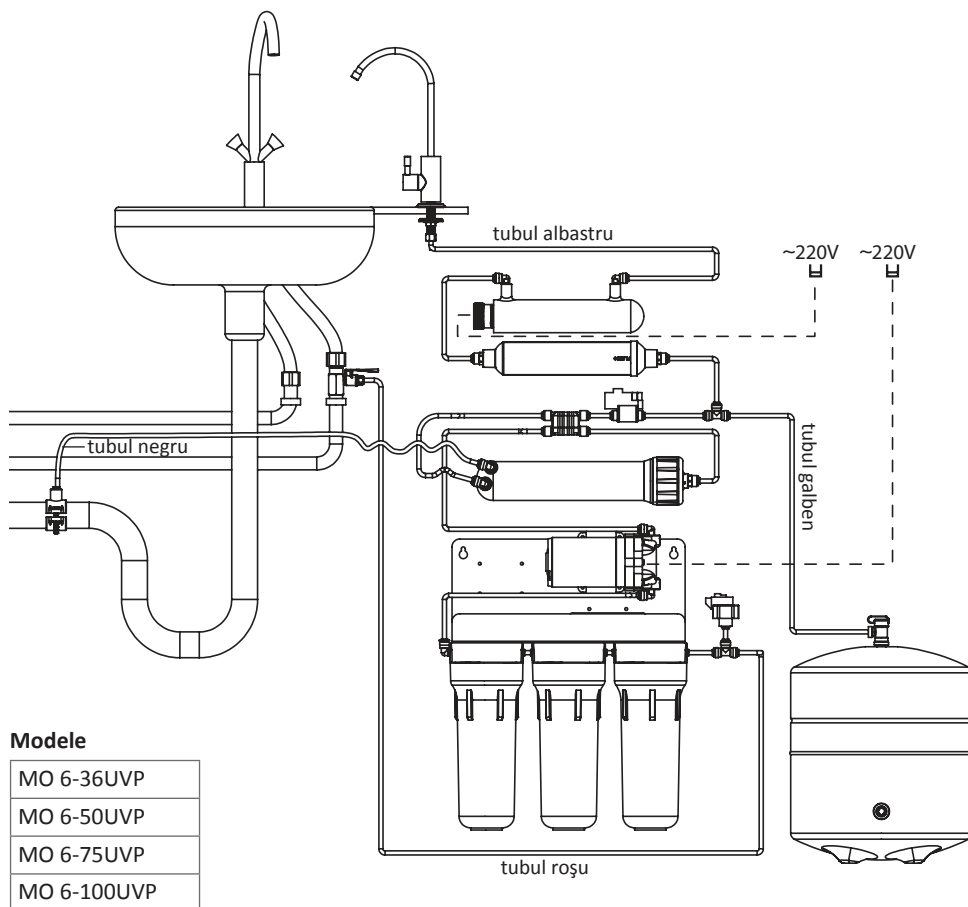
Modele

MO 7-36MUV
MO 7-50MUV
MO 7-75MUV
MO 7-100MUV

Producătorul își rezervă dreptul de a introduce modificări în construcția/configurația articolului, în cazul în care aceste modificări nu implică înrăutățirea proprietăților de consum ale acestuia.

3. SCHEME DE CONECTARE

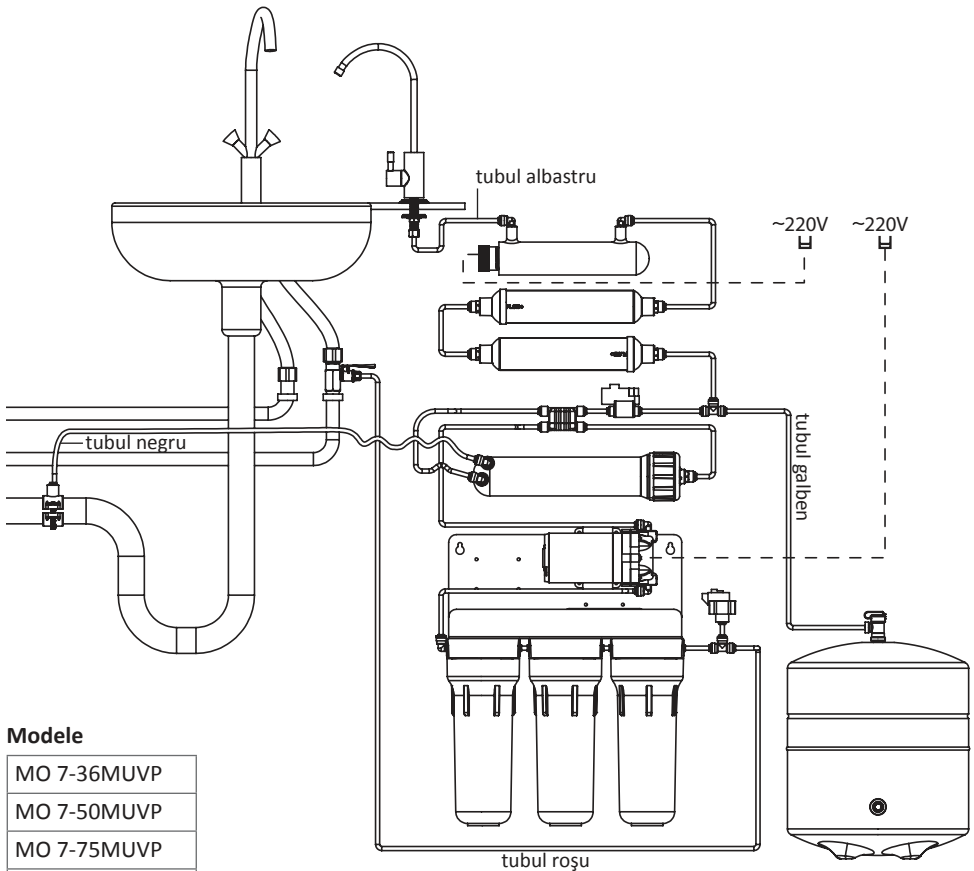
3.7. SCHEMA DE CONECTARE A SISTEMULUI CU LAMPĂ UV ȘI POMPĂ



Producătorul își rezervă dreptul de a introduce modificări în construcția/configurația articolului, în cazul în care aceste modificări nu implică înrăutățirea proprietăților de consum ale acestuia.

3. SCHEME DE CONECTARE

3.8A. SCHEMA DE CONECTARE A SISTEMULUI CU MINERALIZATOR, LAMPĂ UV ȘI POMPĂ, CU ROBINET OBȘNUIȚ PENTRU APA PURIFICATĂ



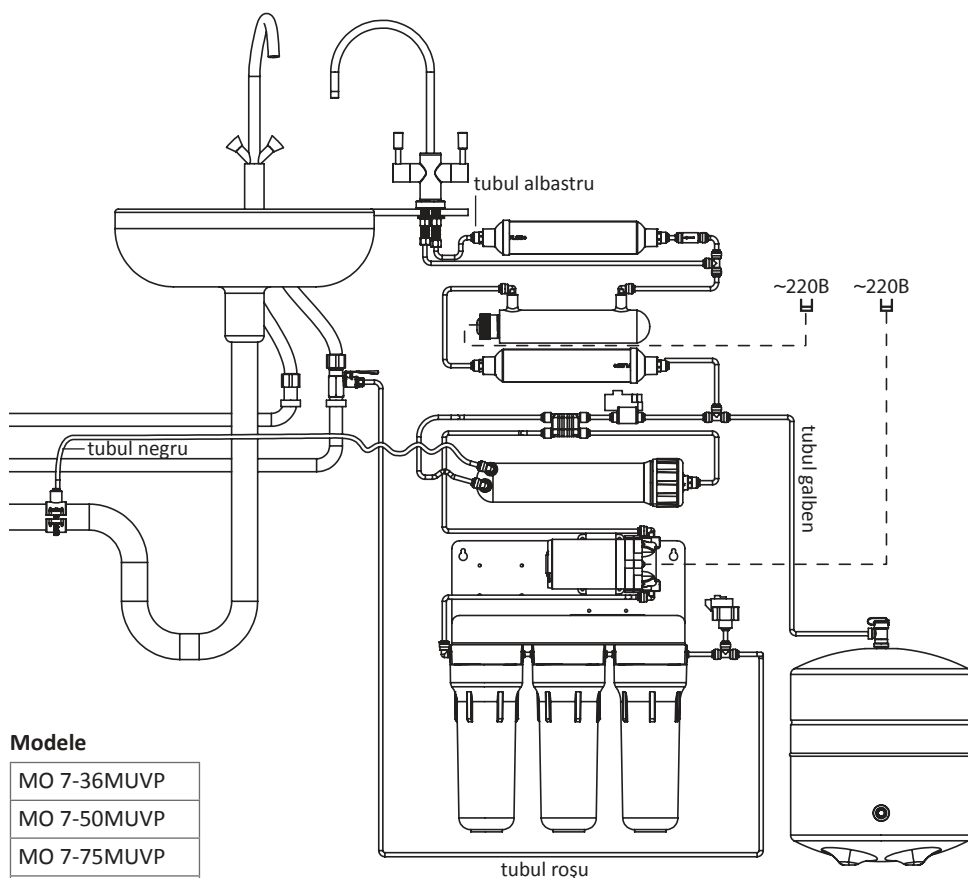
Modele

MO 7-36MUVP
MO 7-50MUVP
MO 7-75MUVP
MO 7-100MUVP

Producătorul își rezervă dreptul de a introduce modificări în construcția/configurația articolului, în cazul în care aceste modificări nu implică înrăutățirea proprietăților de consum ale acestuia.

3. SCHEME DE CONECTARE

3.8B. SCHEMA DE CONECTARE A SISTEMULUI CU MINERALIZATOR, LAMPĂ UV ȘI POMPĂ, CU ROBINET DUBLU PENTRU APA PURIFICATĂ



Modele

MO 7-36MUVP
MO 7-50MUVP
MO 7-75MUVP
MO 7-100MUVP

Producătorul își rezervă dreptul de a introduce modificări în construcția/configurația articolului, în cazul în care aceste modificări nu implică înrăutățirea proprietăților de consum ale acestuia.

4. CONSECUTIVITATEA ACȚIUNILOR LA MONTAREA SISTEMULUI DE OSMOZĂ INVERSĂ

Înainte de montarea sistemului de osmoză inversă citiți cu atenție acest manual.

4.1. VERIFICAREA PARAMETRILOR DE INTRARE

1) Verificați prezența și corespunderea tuturor pieselor. Nu deschideți punga transparentă, în care sunt ambalate piesele, până la verificare, întrucât producătorul nu acceptă pretenții ce țin de lipsa unor piese în cazul în care punga este deschisă.

2) Verificați corespunderea:

Presiunea la intrare*	Presiunea în rezervorul cu membrană*	Temperatura apei de intrare*
Verificați presiunea la intrare, înaintea sistemului de osmoză inversă. Presiunea înaintea sistemului trebuie să corespundă celei indicate la punctul 2.2	Verificați presiunea în rezervorul cu membrană. Presiunea în rezervorul cu membrană trebuie să corespundă celei indicate la punctul 2.2.	Verificați temperatura apei de intrare. Temperatura acesteia trebuie să corespundă celei indicate la punctul 2.2.
*Dacă parametrii apei de intrare nu corespund cerințelor, este necesar să întreprindeți măsurile indicate la punctul 2.2.		

- specificațiilor tehnice (punctul 2.2);

- calității apei**, furnizate sistemului de osmoză inversă (punctul 2.3).

3)Înainte de montarea sistemului trebuie să pregătiți locul de sub chiuvetă. Aveți grijă să fie loc suficient pentru sistem și rezervorul de stocare. În cazul în care nu este loc suficient sub chiuvetă se admite montarea sistemului separat de rezervorul de stocare, la o distanță egală cu lungimea tubului de conexiune.

4)Conectați sistemul în conformitate cu instrucțiunile din prezentul manual.

4.2. MONTAREA

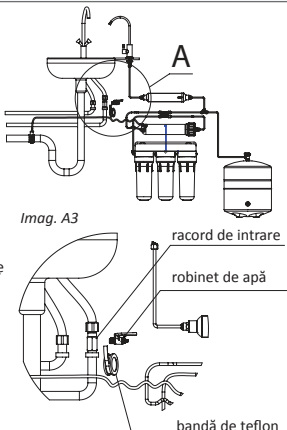
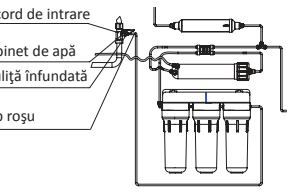
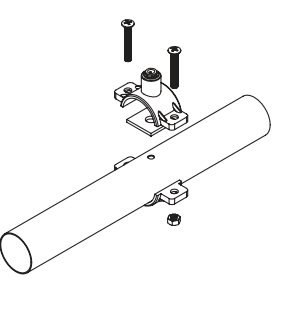
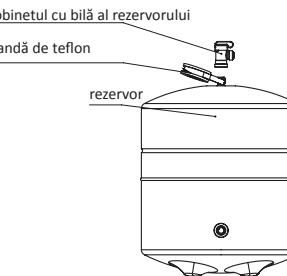
ATENȚIE! Acest sistem a fost verificat de producător, pentru a fi depistate eventuale scurgeri, de aceea este admisă prezența resturilor de apă în interiorul sistemului.

Înainte de montarea tuburilor pentru apă, cartușelor, membranei, este necesar să vă spălați bine pe mâni cu săpun antibacterian.

Sistemul este preferabil să fie montat în locurile protejate de razele directe ale soarelui și la distanță de aparatele de încălzire.

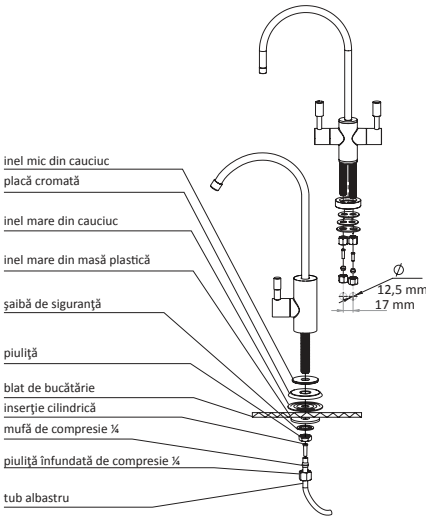
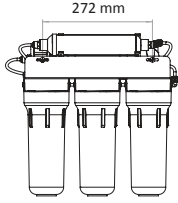
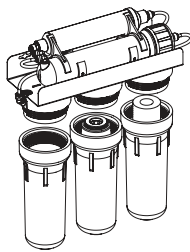
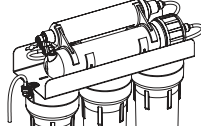
1.	Scoateți sistemul de osmoză inversă din ambalaj și verificați dacă sunt incluse toate piesele. Nu deschideți punga cu piese, întrucât producătorul nu acceptă pretenții cu privire la lipsa anumitor piese în cazul în care punga este deschisă.
2.	Închideți robinetul de apă rece de la intrarea în apartament/casă și deschideți robinetul în locul de montare a filtrului (pe chiuvetă) pentru un minut, pentru a îndepărta presiunea din sistem, după care închideți robinetul.

4. CONSECUTIVITATEA ACȚIUNILOR LA MONTAREA SISTEMULUI DE OSMOZĂ INVERSĂ

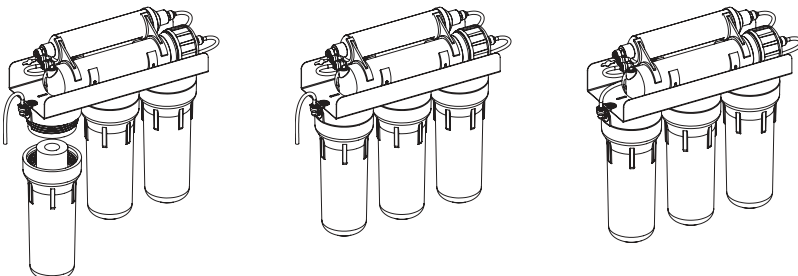
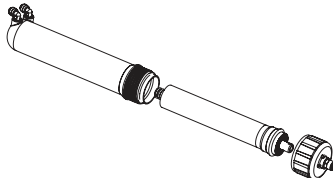
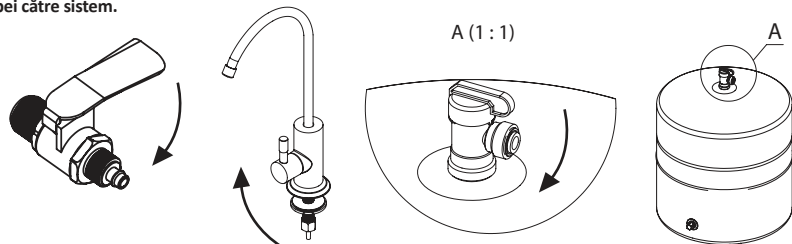
<p>3.</p>	<p>Montați racordul de intrare 4 în magistrala de apă rece. Montați robinetul de apă 5 în racordul de intrare 4. Pentru a evita o eventuală scurgere a apei, folosiți bandă de teflon pentru etanșare.</p> <p>Dimensiunea conexiunilor este calculată reieșind din cea mai răspândită mărime a conductei de apă de ½ inch. În cazul în care conducta de apă din încăperea Dvs. are alte dimensiuni, folosiți racorduri corespunzătoare.</p>	
<p>4.</p>	<p>Deșurubați piulița înfundată de pe racordul robinetului de apă 5 și montați-o pe tubul roșu. Strângeți bine tubul roșu pe racordul robinetului de apă 5 și înșurubați piulița înfundată. Al doilea capăt al tubului roșu uniți-l cu fittingul cu conectare rapidă al primului balon (marginal dreapta) al modulului de filtrare.</p>	
<p>5.</p>	<p>Uniți colierul de scurgere 8 cu sifonul de drenaj al chiuvetei Dvs. Colierul de scurgere este potrivit pentru majoritatea țevelor de canalizare standard. Faceți o gaură în țeava de drenaj a chiuvetei, cu diametrul de 5,0 mm, și plasați pe aceasta etanșantul cu bază adezivă (inclus în set). Plasați colierul de scurgere 8 astfel, încât orificiul de pe țeava de drenaj să coincidă cu orificiul (fitingul) de drenaj. Cu ajutorul unei chei pentru piulițe strângeți piulițele colierului de scurgere. Luați tubul de culoare neagră și puneți-l în fittingul colierului de scurgere. Al doilea capăt al tubului negru uniți-l cu fittingul cu conectare rapidă al carcasei membranei.</p> <p>IMPORTANT! Verificați disponibilitatea regulatorului de flux 12, care trebuie să fie montat în tubul negru dinspre partea de conectare, către carcasa membranei.</p>	
<p>6.</p>	<p>Pe porțiunea filetată a rezervorului 2 înfășurați strâns banda de teflon și montați robinetul cu bilă al rezervorului 6. Aduceți robinetul în poziție „Închis”.</p> <p>IMPORTANT! Verificați presiunea aerului în rezervorul „uscat”. Aceasta trebuie să constituie 0,4-0,6 bari. În caz de necesitate creșteți presiunea cu ajutorul unei pompe cu manometru sau reduceți-o, apăsând niplul rezervorului.</p>	

RO

4. CONSECUTIVITATEA ACȚIUNILOR LA MONTAREA SISTEMULUI DE OSMOZĂ INVERSĂ

<p>7. Conectarea robinetului pentru apă purificată</p> <p>7.1 Pentru montarea robinetului pentru apă purificată 3 fațete o gaură cu diametrul de 12,5 mm într-un loc comod de pe chiuvetă sau blatul de bucătărie. ATENȚIE! Așchiile metalice pot deteriora chiuveta Dvs., de aceea înlăturați-le imediat ce ați făcut gaura. Dacă suprafața pentru montarea robinetului este din ceramică sau piatră, ați putea avea nevoie de un burghiu special din carburi metalice.</p> <p>7.2 Montați robinetul pe blatul de bucătărie sau chiuvetă. Piulița, șaiba de siguranță și inelul mare din masă plastică trebuie să alipească bine robinetul de blat.</p> <p>7.3 Luați tubul de culoare albastră, îmbrăcați pe acesta piulița înfundată de compresie și mufa de compresie, după care puneți inserția cilindrică în tub.</p> <p>7.4 Înșurubați piulița înfundată de compresie pe ștuțul robinetului montat, orientând tubul spre mijlocul ștuțului și apăsând mufa de compresie. După montare robinetul trebuie să fie bine fixat de blatul de bucătărie, iar tubul de culoare albastră să fie îmbrăcat pe racordul robinetului.</p> <p>7.5 Conectarea robinetului dublu (pentru sistemele cu mineralizator) se face după același principiu, precum în cazul robinetului obișnuit.</p>	
<p>8. Alegeți peretele pe care doriți să plasați filtrul și înșurubați în acesta 2 șuruburi (nu sunt incluse în set), pentru a fixa filtrul astfel, încât părțile inferioare ale baloanelor să se afle la o distanță de cel puțin 100 mm de la podea. Distanța dintre orificiile pentru fixarea consolei este de 272 mm.</p>	
<p>9. Plasați cartușele în primul și al doilea balon, în direcția mișcării apei (de la dreapta spre stânga).</p>	
<p>10. Fixați toate cele trei baloane, fără a depune eforturi excesive.</p>	
<p>11. Separați tubul care unește al treilea balon (în direcția mișcării apei) cu autoregulatorul.</p>	

4. CONSECUTIVITATEA ACȚIUNILOR LA MONTAREA SISTEMULUI DE OSMOZĂ INVERSĂ

12.	<p>Deschideți robinetul de apă 5 și lăsați să treacă prin primele două baloane cu cartușe 5-7 litri de apă, pentru a spăla praful de cărbune, care se poate forma în cartușe în timpul procesului de transportare.</p> <p>ATENȚIE! Această apă se va scurge prin tubul separat de la autoregulator, de aceea veți avea nevoie de un recipient pentru colectarea apei.</p>
13.	<p>Plasați cartușul în cel de-al treilea balon (în direcția mișcării apei), fixați balonul și lăsați iarăși să treacă cel puțin 4 l de apă, pentru a spăla praful de cărbune. Închideți robinetul de apă 5 și uniți tubul separat anterior cu autoregulatorul.</p> 
14.	<p>Montați membrana de osmoză inversă 11 în carcasa destinată pentru aceasta.</p> <p>ATENȚIE! Montarea membranei de osmoză inversă se face prin secțiunea frontală a pungii. Nu scoateți membrana din ambalaj și evitați contactul mâinilor cu suprafața membranei.</p> 
15.	<p>Lăsați robinetul pentru furnizarea apei 5 și robinetul pentru apă purificată 3 deschise pentru 30 de minute. Lăsați robinetul cu bilă 6 de pe rezervor 2 în poziție „Deschis”. Închideți robinetul pentru apă purificată 3 și verificați cu atenție toate conexiunile, pentru a depista eventuale scurgeri.</p> <p>ATENȚIE! În prima săptămână după montare verificați în fiecare zi sistemul, pentru a depista eventuale scurgeri. Faceți acest lucru și ulterior, la anumite perioade de timp. În cazul în care lipsiți mai mult timp de acasă (deplasări sau concediu) blocați furnizarea apei către sistem.</p> 
16.	<p>După ce rezervorul se umple (nu veți mai auzi fluxul de apă), scurgeți apa din rezervor în sistemul de canalizare, deschizând robinetul de apă purificată 3. După ce se va scurge toată apa, închideți robinetul de apă purificată 3, pentru ca rezervorul să se umple din nou. În funcție de presiunea din sistemul de alimentare cu apă, procesul de umplere poate dura de la 1,5 până la 3 ore. După ce rezervorul se umple a doua oară, puteți bea apa purificată.</p>

5. CONSECUTIVITATEA ACȚIUNILOR DUPĂ MONTARE

VERIFICAREA MODULUI DE FUNCȚIONARE A SISTEMULUI, PENTRU A STABILI CORESPUNDEREA CU CERINȚELE TEHNICE

1. Evaluarea timpului de umplere a rezervorului. Rezervorul s-a umplut în momentul în care a început eliminarea concentratului în sistemul de canalizare. Valoarea obținută depinde de presiunea nominală a conductei de apă.

2. Determinarea conversiunii. Pentru aceasta aveți nevoie de: un recipient de măsurare cu volumul de cel puțin 1 l și un cronometru. Închideți robinetul cu bilă al rezervorului 6 și deschideți robinetul pentru apă purificată 3. Cu ajutorul recipientului pentru măsurare cronometrați timpul de umplere a acestuia cu permeat. Apoi închideți robinetul pentru apă purificată. Separați tubul negru de drenaj de la fittingul colierului de scurgere. Deschideți robinetul pentru apă purificată 3 și robinetul de furnizare a apei 5 și utilizați recipientul de măsurare, pentru a măsura timpul de umplere cu același volum de concentrat. După aceasta închideți robinetele 3 și 5 și deschideți robinetul cu bilă al rezervorului 6. Folosiți următoarea formulă pentru a calcula conversiunea:

$$R = \frac{t_{\text{concentrat}}}{t_{\text{permeat}} + t_{\text{concentrat}}} \times 100 \%$$

unde R – conversiunea, %; t_{concentrat} – timpul de umplere a recipientului cu concentrat, min.; t_{permeat} – timpul de umplere a recipientului cu permeat, min.

În funcție de calitatea apei de intrare, de temperatura acesteia, de presiunea sub membrană, conversiunea poate fi diferită. Valoarea normală a conversiunii trebuie să se includă între 10-20%.

3. Verificarea valorii TDS a apei brute, TDS a permeatului cu ajutorul unui metru TDS calibrat.

4. Verificarea modului de funcționare a autoregulatorului. Atunci când rezervorul este închis, la fel ca și robinetul pentru apă purificată, închideți robinetul cu bilă a rezervorului 6. Eliminarea concentratului trebuie să înceteze în decurs de 10 min.

5. Verificarea sistemului, pentru depistarea eventualelor scurgeri.

6. Informarea proprietarii sistemului de reguli de întreținere a sistemului, recomandare pentru a citi acest manual.

7. Efectuarea unei înregistrări cu privire la punerea în funcțiune în registru de deservire tehnică, la punctul 9 al prezentului manual.

6. REGULI DE EXPLOATARE

Sistemul de osmoză inversă este destinat doar pentru purificarea apei reci. Dacă timpul de umplere a rezervorului a crescut, înseamnă că setul de cartușe pentru prefiltrare trebuie să fie înlocuit cu altul nou. Întârzierile în înlocuirea cartușelor pot duce la deteriorarea sau distrugerea membranei. Pentru a exclude astfel de situații critice vă recomandăm insistent **să înlocuiți setul de cartușe pentru prefiltrare nu mai rar decât o dată la 3 luni.**

Dacă viteza de filtrare se reduce considerabil, trebuie să înlocuiți membrana de osmoză inversă. Pentru a avea apă purificată de calitate înaltă, vă recomandăm **să înlocuiți membrana de osmoză inversă nu mai rar decât o dată la 1-1,5 ani.** În cazul pauzelor îndelungate în funcționarea sistemului (mai mult de 2 săptămâni) dezinfecțați sistemul, urmând pașii descriși la punctul 7.

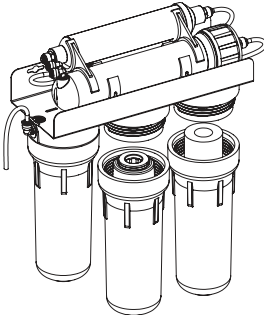
În cazul în care nu planificați să folosiți filtrul/sistemul o perioadă îndelungată de timp se recomandă să blocați furnizarea apei către sistem.

6. REGULI DE EXPLOATARE

6.1. DESTINAȚIA PIESELOR ȘI ÎNLOCUIREA ACESTORA

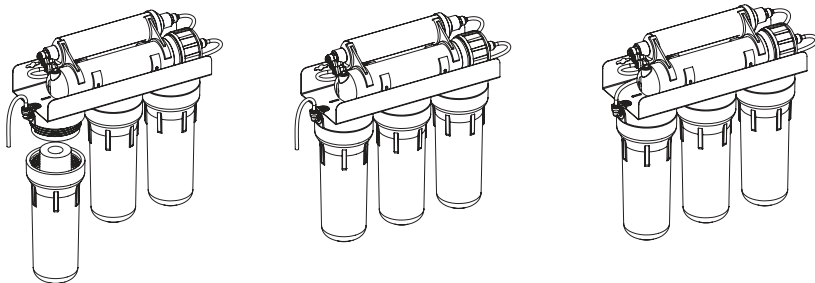
Treapta de filtrare	Denumirea cartușului	Frecvența de înlocuire
Prima	Cartușe de prefiltrare pentru sistemul de osmoză inversă Resursa depinde de consumul și calitatea apei filtrate.	Nu mai rar decât o dată la 3 luni.
A doua		
A treia		
A patra	Membrană de osmoză inversă	O dată pe an
A cincea	Filtru cu cărbune activ	
A șasea	Mineralizator/Lampă UV	

6.2. CONSECUTIVITATEA ACȚIUNILOR LA ÎNLOCUIREA CARTUȘELOR DE PREFILTRARE

1.	Închideți robinetul de furnizare a apei 5 și întoarceți robinetul cu bilă al rezervorului 6 în poziție „Închis”.	
2.	Spălați-vă bine pe mâini cu săpun antibacterian.	
3.	Deșurubați cu cheia primul și al doilea balon (în direcția mișcării apei, adică de la dreapta la stânga). Faceți acest lucru cu atenție, întrucât baloanele sunt umplute cu apă.	
4.	Înlăturați cartușele folosite.	
5.	Spălați bine baloanele cu săpun fără aromatizatori și un burete curat, după care clătiți-le bine cu apă.	
6.	Montați noile cartușe în primul și al doilea balon (în direcția mișcării apei, adică de la dreapta la stânga).	
7.	Separati tubul care unește ale treilea balon (în direcția mișcării apei) cu autoregulatorul.	
8.	Deschideți robinetul de apă 5 și lăsați să treacă prin primele două baloane cu cartușe 5-7 litri de apă, pentru a spăla praful de cărbune, care se poate forma în cartușe în timpul procesului de transportare. ATENȚIE! Această apă se va scurge prin tubul separat de la autoregulator, de aceea veți avea nevoie de un recipient pentru colectarea apei.	

6. REGULI DE EXPLOATARE

9. Deșurubați cu cheia al treilea balon (în direcția mișcării apei). Faceți acest lucru cu atenție, întrucât balonul este umplut cu apă.
10. Înlăturați cartușul folosit și spălați bine balonul cu săpun fără aromatizatori și un burete curat, după care clătiți-l bine cu apă.
11. Plasați cartușul în cel de-al treilea balon (în direcția mișcării apei), fixați balonul și lăsați iarăși să treacă cel puțin 4 l de apă, pentru a spăla praful de cărbune. Închideți robinetul de apă 5 și uniți tubul separat anterior cu autoregulatorul.



13. Deschideți robinetul cu bilă al rezervorului 6.
14. Deschideți robinetul de furnizare a apei către sistem 5.

6. REGULI DE EXPLOATARE

6.3 CONSECUTIVITATEA ACȚIUNILOR LA ÎNLOCUIREA MEMBRANEI

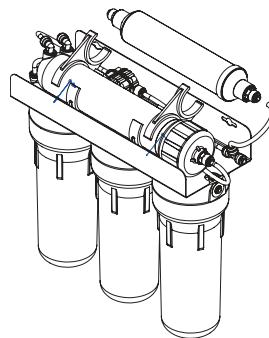
(Înlocuirea membranei se face de către un specialist din cadrul centrului de deservire.)

1.	Închideți robinetul de furnizare a apei 5 și întoarceți robinetul cu bilă al rezervorului 6 în poziție „Închis”.
2.	Deschideți robinetul pentru apă purificată 3, pentru a elimina presiunea din sistem.
3.	Separați tubul de culoare albă de capatul carcasei membranei.
4.	Scoateți capatul de pe carcasa membranei.
5.	Extrageți membrana de osmoză inversă 11 folosită (rețineți modul în care este amplasată aceasta în carcasă).
6.	Ungeți garnitura din cauciuc a noii membrane de osmoză inversă 11 și garnitura capacului de la carcasa membranei. ATENȚIE!!! Pentru a nu deteriora membrana, folosiți în calitate de unguent doar glicerină alimentară.
7.	Montați noua membrană de osmoză inversă 11 în carcasă, respectând direcția și poziția tubului. ATENȚIE! Montarea membranei de osmoză inversă se face prin secțiunea frontală a pungii. Nu scoateți membrana din ambalaj și evitați contactul mâinilor cu suprafața membranei.
8.	Înșurubați capacul de la carcasa membranei.
9.	Uniți tubul de culoare albă cu capacul de la carcasa membranei.
10.	Închideți robinetul pentru apă purificată 3.
11.	Deschideți robinetul cu bilă al rezervorului 6.
12.	Deschideți robinetul pentru furnizarea apei 5.
13.	După ce rezervorul se umple (nu veți mai auzi fluxul de apă), scurgeți apa din rezervor în sistemul de canalizare, deschizând robinetul de apă purificată 3. După ce se va scurge toată apa, închideți robinetul de apă purificată 3, pentru ca rezervorul să se umple din nou. În funcție de presiunea din sistemul de alimentare cu apă, procesul de umplere poate dura de la 1,5 până la 3 ore. După ce rezervorul se umple a doua oară, puteți bea apa purificată.

6. REGULI DE EXPLOATARE

6.4 CONSECUTIVITATEA ACȚIUNILOR LA ÎNLOCUIREA CARTUȘULUI CU CĂRBUNE ACTIV ȘI/SAU A FILTRULUI MINERALIZATOR

1.	Închideți robinetul de furnizare a apei 5 și întoarceți robinetul cu bilă al rezervorului 6 în poziție „Închis”.
2.	BDeschideți robinetul pentru apă purificată 3, pentru a elimina presiunea din sistem.
3.	Separati tuburile care unesc post-filtrul cu cărbune activ și/sau mineralizator cu sistemul.
4.	Scoateți post-filtrul cu cărbune activ și/sau mineralizator folosit de pe suporturile din masă plastică (clipsuri).
5.	Montați noul post-filtru cu cărbune activ și/sau mineralizator, orientându-vă după săgețile ce semnifică direcția fluxului apei.
6.	Conectați tuburile care unesc post-filtrul cu cărbune activ și/sau mineralizator cu sistemul.
7.	Deschideți robinetul de furnizare a apei 5. Deschideți robinetul cu bilă al rezervorului 6.
9.	Scurgeți apa din rezervor în sistemul de canalizare, deschizând robinetul de apă purificată 3. După ce se va scurge toată apa, închideți robinetul de apă purificată 3, pentru ca rezervorul să se umple din nou. În funcție de presiunea din sistemul de alimentare cu apă, procesul de umplere poate dura de la 1,5 până la 3 ore. După ce rezervorul se umple a doua oară, puteți bea apa purificată.



6.5. CONSECUTIVITATEA ACȚIUNILOR LA ÎNLOCUIREA LĂMPII UV (Înlocuirea lămpii UV este asigurată de către un specialist din cadrul centrului de deservire)

Termenul recomandabil de exploatare a lămpilor UV este de 9 000 de ore (aproximativ un an de funcționare continuă).

ATENȚIE!

Nu se recomandă să folosiți lampa UV după expirarea termenului recomandat de exploatare, întrucât scade intensitatea radiației și nu este asigurată dezinfectarea garantată a apei.

Este strict interzis să activați alimentarea electrică a lămpii UV atunci când emițătorul nu se află în carcasa din metal și să priviți lampa care luminează. Acest lucru vă poate afecta ochii și, în rezultat, poate duce la tulburări sau chiar pierderea vederii.

La înlocuirea lămpii UV este preferabil să curățați mantaua din cuarț.

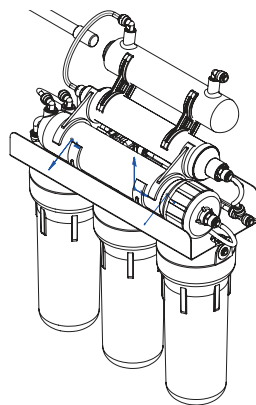
În procesul de curățare a mantalei este interzis să folosiți materiale abrazive, întrucât acestea pot reduce gradul de permeabilitate al razelor UV și, respectiv, eficacitatea dezinfectării.

6. REGULI DE EXPLOATARE

Scoateți mantaua din carcasă foarte atent, pentru a nu o deteriora și a nu o zgâria.

De asemenea, scoateți cu atenție inelele de etanșare aflate pe părțile frontale ale mantalei pentru a ermetiza lampa UV și a preveni pătrunderea apei pe lampă și conectorii electrici. Apucați noua lampă UV cu atenție și exclusiv de marginile din ceramică, întrucât murdărirea suprafeței din cuarț a lămpii duce la scăderea intensității procesului de dezinfectare și la reducerea termenului de viață al acesteia. În lucrul cu lampa folosiți mănuși din bumbac.

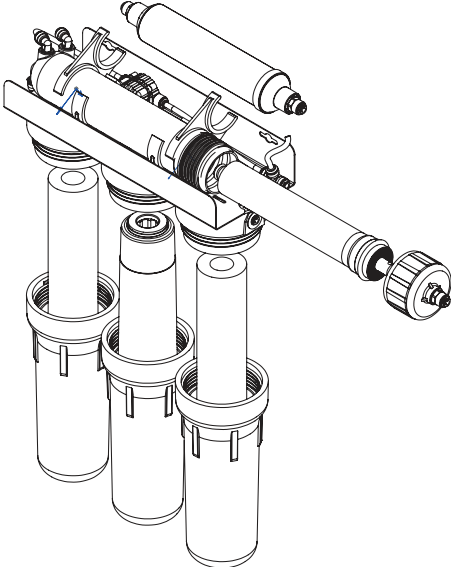
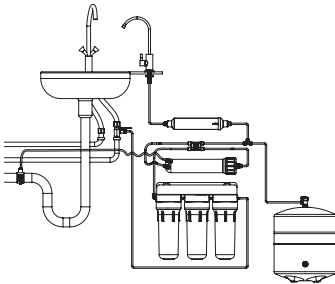
1.	Deconectați lampa UV de la rețeaua electrică.
2.	Închideți robinetul de furnizare a apei 5 și întoarceți robinetul cu bilă al rezervorului 6 în poziție „Închis”.
3.	Scoateți de pe carcasă capacul negru din PVC, prin care trece cablul electric.
4.	Ținând de conectorul electric, extrageți cu atenție lampa din mantaua de cuarț.
5.	Țineți lampa de baza acesteia și deconectați conectorul electric.
6.	Puneți noua lampă până la jumătate în mantaua din cuarț.
7.	Montați corect conectorul electric.
8.	Fixați bine lampa în manta și montați pe carcasă capacul din PVC.
9.	Reluați furnizarea de apă către instalația de dezinfectare și verificați dacă în timpul înlocuirii nu a fost slăbită ermeticitatea garniturilor dintre carcasa lămpii și mantaua din cuarț.
10.	Conectați instalația de dezinfectare la rețeaua electrică și asigurați-vă că noua lampă funcționează în mod corespunzător. Drept confirmare a acestui fapt va fi culoarea verde a indicatorului de pe sursa de alimentare a lămpii.



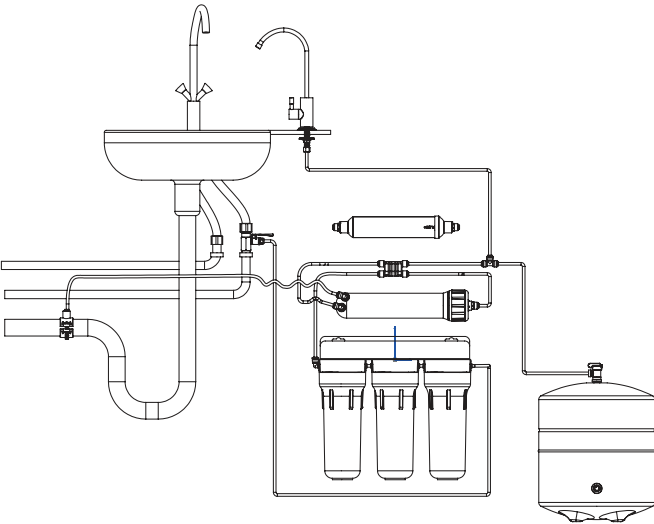
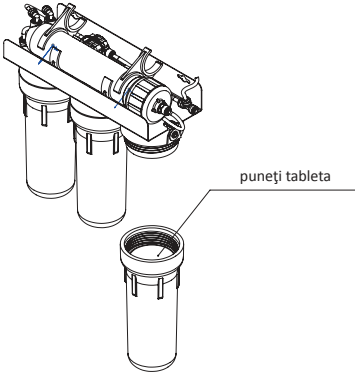
7. DEZINFECTAREA SISTEMULUI DE OSMOZĂ INVERSĂ

Dezinfectarea filtrelor de apă potabilă se recomandă să fie efectuată după exploatarea îndelungată a acestora (~6 luni), precum și în cazul în care filtrul nu a fost folosit o perioadă îndelungată (~3 săptămâni). De asemenea, este recomandabil ca sistemul să fie dezinfectat atunci când sunt înlocuite cartușele.

Pentru dezinfectare se recomandă să fie folosite tablete pe bază de clor activ.

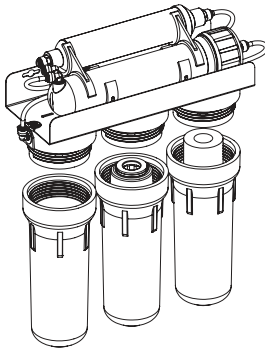
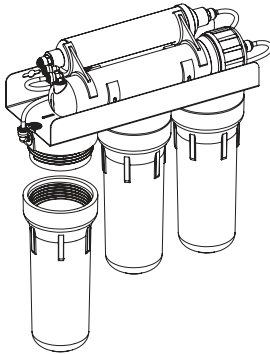
1.	Închideți robinetul de furnizare a apei 5 și întoarceți robinetul cu bilă al rezervorului 6 în poziție „Închis”.
2.	<p>Scoateți și aruncați la deșeurii cartușele de prefiltrare și post-filtrul cu cărbune activ.</p> 
3.	Scoateți membrana de osmoză inversă, ambalați-o ermetic și puneți-o în frigider, la o temperatură de +2...+5°C (pentru a scoate membrana puteți folosi clește cu fălci rotunde).
4.	<p>Montați al doilea și al treilea balon (în direcția mișcării apei), carcasa membranei, uniți tubul de la robinetul pentru apă purificată la robinetul trifurcat, în locul post-filtrului cu cărbune activ.</p> 

7. DEZINFECTAREA SISTEMULUI DE OSMOZĂ INVERSĂ

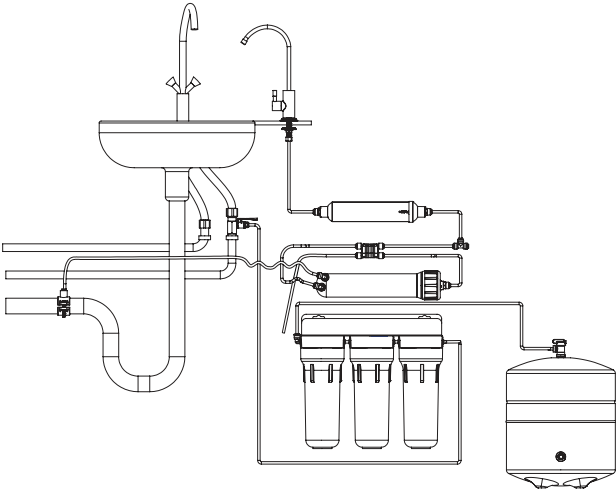
4.	
5.	<p>Puneți în primul balon o tabletă pentru dezinfectare. Umpleți balonul cu apă și montați-l.</p> 
6.	<p><u>Peste 15 min. deschideți robinetul pentru apă purificată 3 și robinetul pentru furnizarea apei 5.</u></p>
7.	<p>În momentul în care din robinetul pentru apă purificată va începe să curgă apă cu miros de clor, închideți robinetul pentru apă purificată 3 și robinetul pentru furnizarea apei 5.</p>
8.	<p>Lăsați sistemul împlut cu soluția dată pentru 2-3 ore.</p>
9.	<p>Deschideți robinetul pentru apă purificată 3 și robinetul pentru furnizarea apei 5. Așteptați până dispăre mirosul de clor în apa de la robinet.</p>
10.	<p>Montați în sistem toate elementele de filtrare și deschideți robinetul cu bilă al rezervorului 6. Deschideți robinetul de furnizare a apei 5.</p>
11.	<p>Umpleți și vărsați cel puțin două rezervoare de apă (până dispăre complet mirosul de clor).</p>

7. DEZINFECTAREA SISTEMULUI DE OSMOZĂ INVERSĂ

7.1 DEZINFECTAREA REZERVORULUI DE STOCARE

1.	Închideți robinetul de furnizare a apei 5.
2.	Deschideți robinetul pentru apă purificată 3 și vărsați toata apa în sistemul de canalizare.
3.	Închideți robinetul cu bilă al rezervorului 6.
4.	Scoateți cartușele de prefiltrare. 
5.	Montați cel de-al doilea și al treilea balon (în direcția mișcării apei). 

7. DEZINFECTAREA SISTEMULUI DE OSMOZĂ INVERSĂ

6.	<p>Separați tubul care duce către rezervorul de stocare de la robinetul trifurcat al post-filtrului cu cărbune activ și uniți-l la fittingul celui de-al treilea balon.</p> 
7.	Puneți în primul balon o tabletă pentru dezinfectare. Umpleți balonul cu apă și montați-l.
8.	Peste 15 minute deschideți robinetul cu bilă a rezervorului 6.
9.	Deschideți robinetul de furnizare a apei 5 pentru 5 minute.
10.	Închideți robinetul cu bilă a rezervorului și lăsați rezervorul umplut cu soluție pentru 1-2 ore.
11.	Vărsați apa din rezervorul de stocare 6, separând tubul acestuia de la fittingul celui de-al treilea balon. Uniți tuburile în poziția lor inițială.
12.	Puneți cartușele în sistem, deschideți robinetul cu bilă al rezervorului 6 și robinetul de furnizare a apei 5.
13.	Umpleți și vărsați cel puțin trei rezervoare de apă (până la dispariția completă a mirosului de clor).

RO

8. EVENTUALE DEFECTIUNI ȘI MODALITĂȚI DE ÎNLĂTURARE A ACESTORA

DEFECTIUNE	CAUZĂ	MOD DE ÎNLĂTURARE
Scurgerea apei de sub fittinguri	Tuburile nu sunt unite ermetic.	Separăți-le și uniți-le din nou.
Scurgere de apă de sub colierul de scurgere	Colierul de scurgere nu este montat corect.	Montați corect colierul de scurgere.
Scurgere de sub balon	Inelul de etanșare nu este montat corect.	Verificați dacă este montat corect inelul de etanșare (în jgheabul balonului).
	Balonul nu este montat suficient de strâns.	Strângeți bine balonul.
Apa din robinet curge foarte încet.	Presiune joasă la intrarea în sistem	Verificați presiunea de intrare. Dacă presiunea este mai mică de 3 atm., montați o pompă de alimentare.
	Sunt murdărite cartușele prefiltrului.	Înlocuiți cartușele prefiltrului.
	Este murdărită membrana.	Înlocuiți membrana.
	Este presat tubul de conexiune.	Verificați tubul pe toată lungimea acestuia.
	Presiune joasă în rezervorul de stocare	Presiunea în rezervorul de stocare fără apă trebuie să fie între 0,4-0,6 atm. În caz de necesitate creșteți presiunea cu ajutorul unei pompe. Operațiunea este asigurată de către un specialist din cadrul centrului de deservire.
Nivel de zgomot crescut	Este aer în autoregulator.	Aerul va fi eliminat din autoregulator pe cale firească, peste ceva timp.
	Presiunea la intrarea în sistem este mai mare decât ar fi normal.	Montați un regulator de presiune. Apelați centrul de deservire.
Țăcănitul autoregulatorului	Oscilații de presiune în rețea	Montați o supapă de reținere la intrarea sistemului de alimentare cu apă în apartament. Verificați presiunea în rezervorul uscat al membranei. În rezervorul de stocare fără apă presiunea trebuie să fie între 0,4-0,6 atm. În caz de necesitate creșteți presiunea cu ajutorul unei pompe. Operațiunea este realizată de către un specialist din cadrul centrului de deservire.

8. EVENTUALE DEFECTIUNI ȘI MODALITĂȚI DE ÎNLĂTURARE A ACESTORA

Apa curge în permanență în canalul de scurgere.	Presiune joasă la intrarea în sistem.	Verificați presiunea apei. Dacă presiunea este mai mică de 3 atm., montați o pompă care să crească presiunea.
	Sunt murdărite cartușele prefiltrului.	Înlocuiți cartușele prefiltrului.
	Este murdărită membrana.	Înlocuiți membrana.
	Este defect autoregulatorul.	Verificați capacitatea de funcționare a autoregulatorului (atunci când robinetul cu bilă al rezervorului de stocare este închis, autoregulatorul trebuie să înceteze în câteva minute furnizarea apei către sistem). Apelați centrul de deservire.
	Este defectă supapa de reținere din carcasa membranei.	Atunci când supapa de reținere este defectă, eliminarea apei în canalul de drenaj nu va înceta, chiar dacă rezervorul de stocare este plin. Apelați centrul de deservire.
	Presiune joasă în recipientul de acumulare	Verificați presiunea în rezervorul de stocare uscat. Presiunea în rezervorul de stocare fără apă trebuie să fie între 0,4-0,6 atm. În caz de necesitate creșteți presiunea cu ajutorul unei pompe. Operațiunea este realizată de către un specialist din cadrul centrului de deservire.
	Lipsește sau nu este montat corect regulatorul de flux.	Verificați dacă este prezent regulatorul de flux la ieșirea din carcasa membranei. Acesta trebuie să fie montat în tubul de culoare neagră și să fie unit la ieșirea din carcasa membranei. Dacă partea tubului în care este montat regulatorul de flux este orientată spre sistemul de canalizare, repositionați tubul (curățând regulatorul de flux).
Apa nu curge din tubul de drenaj la furnizarea apei către sistem.	Rezervorul de stocare este umplut.	Deschideți robinetul pentru apă purificată. Dacă după vărsarea apei purificate din rezervor va începe eliminarea apei în sistemul de drenaj, sistemul funcționează normal.
	Regulatorul de flux este înfundat.	Curățați sau înlocuiți regulatorul de flux.
	Necorespunderea orificiului din colierul de scurgere cu a celui din țeava de canalizare	Curățați colierul de scurgere corect și verificați în mod repetat modul de funcționare a sistemului.

8. EVENTUALE DEFECTIUNI ȘI MODALITĂȚI DE ÎNLĂTURARE A ACESTORA

Apa are o nuanță albă, care dispare după ce se limpește.	Aer în sistem	Aerul în sistem este un fenomen normal la începutul funcționării sistemului. Peste ceva timp acest efect va dispărea. Atenție! Bulele de aer pot apărea în apa purificată în perioada rece a anului, atunci când este diferență mare între temperatura apei și temperatura din încăpere.
Apa are un gust și miros străin.	Resursele post-filtrului cu cărbune activ s-au consumat.	Înlocuiți cartușul.
	Soluția pentru dezinfectarea membranei nu s-a spălat.	Vărsați apa din rezervorul de stocare și umpleți-l iar.
	Murdărie în sistem.	Dezinfectați sistemul în conformitate cu recomandările din secțiunile 7 și 7.1.
	Rezervor murdar	Înlocuiți rezervorul. Atenție! Rezervorul se poate murdări în cazul în care sistemul este exploatat o perioadă îndelungată, iar cartușele nu sunt schimbate.
Este puțină apă în rezervorul de stocare.	Presiune înaltă în camera de aer a rezervorului de stocare	Presiunea în rezervorul de stocare fără apă trebuie să fie între 0,4-0,6 atm. În caz de necesitate corectați presiunea. Operațiunea trebuie să fie realizată de către un specialist din cadrul centrului de deservire.
	Este închis robinetul rezervorului de stocare.	Verificați poziția robinetului pe rezervor.

9. REGISTRU DE DESERVIRE TEHNICĂ

Producătorul recomandă insistent să efectuați cu grijă înregistrări în registrul de deservire. Informațiile înregistrate în registrul vor fi de folos specialiștilor în lucrul cu sistemul Dvs. de osmoză inversă. De asemenea, astfel de informații pot fi solicitate de către producător în cazul anumitor abateri în funcționarea sistemului.

PUNEREA ÎN FUNCȚIUNE

Data punerii în funcți- une, ZZ:LL:AA	Presiunea la intrare	A fost dezinfectat, DA/NU	TIMPUL DE UMPLERE A REZERVORULUI, HH:MM	Conversivne (recovery)	Recomandări	Informații privind echi- pamentul suplimentar montat: denumirea, data montajului (de exemplu: reductor, pompă, filtre de prefiltrare etc.)	Denumirea companiei care a montat sistemul	Numele tehnicianului care a montat sistemul	Date de contact ale com- paniei care a asigurat montajul (nr. de telefon, adresă, e-mail)
--	----------------------	------------------------------	---	------------------------	-------------	---	---	--	--

LUCRĂRILE DE CONECTARE AU FOST EXECUTATE, SISTEMUL A FOST VERIFICAT, PRETENȚII PRIVIND CALITATEA LUCRĂRILOR ȘI CON-
FIGURAȚIA SISTEMULUI NU SUNT. CONFIRM EXECUTAREA LUCRĂRILOR.

Deținătorul echipamentului _____

Semnătura/numele, prenumele

Reprezentantul centrului de deservire _____

Semnătura/numele, prenumele

RO

9. REGISTRU DE DESERVIRE TEHNICĂ

DESERVIREA TEHNICĂ

Denumirea lucrărilor				
Materialle de consum folosite în cadrul serviciilor tehnice				
A fost efectuată dezinfecția sistemului/rezervorului				
Tempul de umplere a rezervorului, HH:MM				
Raportul permeat/concentrat				
Data deservirii tehnice				
Denumirea companiei care a asigurat deservirea				
Numele, prenumele specialistului				
Lucrările au fost executate, pretenții privind calitatea lucrărilor nu sunt. Semnătura deșinatorului				

10. PROTECȚIA SĂNĂȚĂII ȘI MEDIULUI AMBIANT

Produsul nu are acțiune chimică, radioactivă sau electrochimică asupra mediului ambiant. Nu face parte din categoria produselor dăunătoare pentru organismul omului și corespunde legislației sanitare a Ucrainei în cazul în care este folosit conform destinației.

11. REGULI DE ACHIZIȚIONARE

Produsul este recomandabil să fie achiziționat în centrele de vânzare autorizate. În procesul achiziției este necesar să verificați integritatea ambalajului, să vedeți dacă nu există deteriorări mecanice sau alte abateri, să verificați disponibilitatea tuturor accesoriilor (fără a desface punga), a documentelor însoțitoare, în special a manualului pentru utilizator și a certificatului de garanție.

12. TRANSPORTAREA ȘI DEPOZITAREA

Produsul poate fi transportat cu orice mijloc de transport (cu excepția celor neîncălzite în perioada rece a anului), cu respectarea regulilor de transportare a mărfurilor, valabile pentru fiecare tip de transport.

În procesul lucrărilor de încărcare/descărcare și a transportării trebuie să fie respectate cerințele simbolurilor de pe ambalaj.

Produsul trebuie să fie depozitat în încăperi închise, unde este exclusă posibilitatea apariției deteriorărilor mecanice, precum și acțiunea umezelii și a substanțelor chimice active. Articolul trebuie să fie păstrat în ambalajul producătorului, la o temperatură a mediului de la 5°C până la 40°C și umiditatea relativă de până la 80%, la o distanță de 1 m de la aparatele de încălzire.

13. GARANȚIA

Vă mulțumim că ați achiziționat sistemul de osmoză inversă al companiei Ecosoft.

Sperăm că acest sistem vă va servi o perioadă îndelungată și va dăruii familiei Dvs. plăcere de la consumul de apă purificată.

Producătorul garantează că sistemul dat de filtrare a apei nu conține defecte de producere și că astfel de defecte nu vor fi depistate nici în perioada de garanție, indicată în certificatul corespunzător, în cazul în care sistemul de filtrare va fi montat și va funcționa în conformitate cu cerințele tehnice și condițiile de exploatare.

Pentru a evita neînțelegerile, vă rugăm insistent să citiți cu atenție Manualul privind conectarea și exploatarea sistemului de osmoză inversă, condițiile de garanție, precum și să verificați corectitudinea completării certificatului de garanție și disponibilitatea documentului ce confirmă achiziția (bonul de plată, factura, actul privind punerea în funcțiune). Certificatul de garanție este valabil doar în cazul în care sunt indicate corect modelul, data vânzării și sunt clare ștampilele companiei care a vândut produsul. Pentru montarea corectă a sistemului citiți cu atenție manualul privind conectarea și exploatarea acestuia sau solicitați ajutor unui specialist calificat.

Producătorul nu este responsabil pentru daunele aduse bunurilor sau pentru orice alte prejudicii, inclusiv profitul pierdut, apărute întâmplător sau în rezultatul exploatării sau a imposibilității de a exploata produsul dat.

Responsabilitatea materială a Producătorului, conform garanției, nu poate depăși valoarea acestui filtru.

Garanția nu este valabilă pentru:

- elementele care pot fi înlocuite (cartușele, membrana de osmoză inversă, post-filtrul cu cărbune activ, mineralizator sau alte elemente de schimb, care pot intra în componența sistemului);
- elementele electrice, în cazul în care rețeaua nu este împământată, precum și în cazul lipsei unui stabilizator de tensiune;
- elementele care trebuie să fie înlocuite în rezultatul uzurii firești a acestora;
- defecțiunile apărute din cauza că elementele de schimb nu au fost înlocuite la timp și pentru care a expirat termenul de exploatare indicat în prezentul Manual, precum și în cazul utilizării elementelor de schimb de la alți producători.

Toate pretențiile privind calitatea apei, gustul, mirosul și alte proprietăți ale apei purificate cu ajutorul acestui filtru se acceptă doar în cazul în care există un proces-verbal al analizei efectuate de către un laborator de cercetare acreditat.

Cazurile neprevăzute de prezenta garanție vor fi reglementate de legislația în vigoare.

Conectarea standard de către un angajat al centrului de deservire

Conectarea standard se face doar pe țevi cu diametrul de ½ inch și cu condiția să existe o supapă pentru eliminarea apei direct în apartament.

Lista lucrărilor executate de angajatul centrului de deservire în cazul conectării standard:

- montarea mufei de intrare și a robinetului de furnizare a apei în conducta de apă;
- montarea robinetului pentru apă purificată pe chiuvetă sau blatul de bucătărie;
- montarea modulului de filtrare, colierului de scurgere și unirea tuburilor de diferite culori;
- verificarea sistemului în ceea ce ține de ermeticitatea pieselor și corectitudinea funcționării sistemului în general;
- completarea actului privind executarea lucrărilor;
- completarea registrului de deservire tehnică.

Suplimentar angajatul centrului de deservire poate propune și monta:

- regulatorul de presiune;
- compensatorul de șoc hidraulic;
- sistemul de protecție împotriva scurgerilor de apă;
- alt echipament, care să îmbunătățească funcționarea sistemului de bază;
- deservire.

Suplimentar se achită:

- cheltuielile pentru transport ale angajatului centrului de deservire;
- venirea specialistului la fața locului în afara orelor de lucru;
- conectarea la punctele existente de alimentare cu apă, unde nu este asigurată o conexiune flexibilă și este necesară modificarea construcției conductei de apă cu folosirea unor instrumente speciale și a materialelor suplimentare;
- montarea robinetului pentru apă purificată pe o suprafață din material ce necesită folosirea echipamentului special (fontă, piatră artificială, gresie și alte materiale artificiale);
- montarea regulatorului de presiune;
- montarea compensatorului de șoc hidraulic;
- montarea sistemului de protecție împotriva scurgerilor de apă;
- montarea altui echipament, care să îmbunătățească funcționarea sistemului de bază;
- deservirea.

Centrul de deservire nu este responsabil pentru starea conductelor de apă și accesoriilor sanitare ale cumpărătorului. Starea nesatisfăcătoare a conductelor de apă, accesoriilor sanitare și nerespectarea de către cumpărător a condițiilor necesare pentru conectarea filtrului reprezintă o bază pentru refuzul de prestare a serviciilor de conectare.

ATENȚIE!!! În cazul conectării independente a sistemului producătorul nu este responsabil și nu acceptă pretențiile care pot apărea în rezultatul conectării și funcționării incorecte a sistemului.

14. CENTRE DE DESERVIRE AUTORIZATE ÎN REGIUNEA DVS.

PENTRU NOTIȚE

СЪДЪРЖАНИЕ

1	Предназначение на продукта	210
2	Спецификации и съставни части	212
2.1	Обозначения на моделите	212
2.2	Спецификации и изисквания	213
2.3	Изисквания за качеството на суровата вода	213
2.4	Съставни части на системите за обратна осмоза	214
3	Присъединителни схеми	216
3.1	Схема за монтаж и присъединяване на базов модел	216
3.2	Схема за монтаж на система с реминерализатор	217
3.3	Схема за монтаж на модел с ултравиолетова лампа	218
3.4	Схема за монтаж на система с помпа	219
3.5	Схема за монтаж на система с реминерализатор и помпа	220
3.6A	Монтаж на системи с ултравиолетова лампа и реминерализатор с едно кранче	221
3.6B	Монтаж на системи с ултравиолетова лампа и реминерализатор с две кранчета	222
3.7	Схема за монтаж на система с помпа и ултравиолетова лампа	223
3.8A	Монтаж на системи с помпа, ултравиолетова лампа и реминерализатор с едно кранче	224
3.8B	Монтаж на системи с помпа, ултравиолетова лампа и реминерализатор с две кранчета	225
4	Монтаж на система за обратна осмоза	226
4.1	Проверка на окомплектовката на системата	226
4.2	Инструкция за монтаж	226
5	Стъпки след инсталация на системата	230
6	Употреба и експлоатация на системите	230
6.1	Съставни части и препоръчителни срокове за подмяна на компоненти	231
6.2	Смяна на предварителните филтри	231
6.3	Смяна на мембраната за обратна осмоза	233
6.4	Смяна на полиращия и/или реминерализиращ филтър	234
6.5	Смяна на ултравиолетовата лампа	234
7	Санитизация на системата	236
7.1	Санитизация на резервоара	238
8	Отстраняване на проблеми	240
9	Дневник на системата	243
10	Безопасност за здравето и околната среда	245
11	Закупуване	245
12	Транспорт и съхранение	245
13	Гаранции	245

1. ПРЕДНАЗНАЧЕНИЕ НА ПРОДУКТА

Обратната осмоза е най-усъвършенстваната модерна технология за пречистване на вода. Специалната полупропусклива мембрана има свойства сходни на тези на клетките в живите организми и задържа всички вредни примеси във водата, включително нитратите и вирусите (вижте Фигура 1). Мембраната е съставена от множество пори, които са 200 пъти по-малки от вирусите и 4000 по-малки от бактериите. Битовите системи с обратна осмоза използват принципа на метаболизма на клетъчно ниво. Само молекули с определен размер могат да преминат през мембраната.

Системата за обратна осмоза има 5 степени на филтриране и има следния принцип на действие (вижте раздел 2.4 за съответните номера на компонентите): Филтърната рамка е свързана към студената вода с адаптер 4 и кранче на суровата вода 5. По синята тръбна връзка суровата вода попада в първия (най-десния) филтърен корпус на рамката. Суровата вода преминава през предварителни филтри 9. Тези филтри имат за цел да отстранят твърди частици (ръжда, пясък, тиня и т.н.), остатъчен хлор и органохлорини от суровата вода. След предварителните филтри, водата попада в четвъртата (и най-важна) стъпка от пречистването: мембраната за обратна осмоза 11, която се намира в специален корпус. Входът на мембранный корпус е свързан с третия (най-левия) филтърен корпус през автоматичен спирателен клапан (четирипътен клапан закрепен в горната част на филтърната рамка). Единият от двата изхода на мембранный корпус пропуска пречистена вода (пермеат), а другият изход отвежда на канал богатата на задържани замърсители вода (концентрат). Мембраната пречиства водата на молекулярно ниво като пропуска през порите си само водните молекули и разтворения кислород.



1. ПРЕДНАЗНАЧЕНИЕ НА ПРОДУКТА

Когато попадне в мембраната, водата се разделя на два потока: концентрат (който се изхвърля на канал) и пермеат (който попада в резервоара за съхранение 2). Резервоарът е свързан с мембраната през автоматичния затварящ вентил и спирателния вентил на изхода на мембранный корпус. След затварящия вентил има тройник, от който резервоарът се свързва с филтърната рамка през жълтата тръба. В горната част на резервоара е инсталирано кранче 6.

Резервоарът на системата съхранява пречистената вода. Без него мембраната сама по себе си не може да осигури необходим интензитет на потока, за да се използва проточно. Така, например, ако системата е с мембрана 50 GPD (7,9 литра/час), то една чаша с вместимост 200 мл. би се напълнила за 1,5 минути. По тази причина системата напълва резервоара и осигурява необходимия дебит на пречистена вода за директна консумация. Времето за напълване на резервоара варира от 1,5 до 3 часа. Когато резервоарът се напълни, автоматичният спирателен вентил спира подаването на вода през филтрите и системата се изключва. Когато отворите кранчето за пречистена вода (кранче 3), налягането в резервоара спада и автоматичният вентил отваря и възстановява подаването на сурова вода през предварителните филтри и мембраната, за да допълни резервоара. Водата със задържаните замърсители (концентрата) се отвежда на канал от дренажния изход на мембранный корпус през черната тръба, която влиза в скоба прикрепена към сифона. За да се създаде необходимото работно налягане в мембранный корпус е нужно да има обратно налягане, което се създава благодарение на ограничителя на дебита (14), който е монтиран в черната тръба. Ограничителят на дебита е пластмасова втулка с точно определен размер на капиларния отвор. Ограничителят е пхнат в единия край на черната тръба и следва да се монтира от страната на мембранный корпус.

Когато отворите кранчето монтирано на плота, пречистената вода от резервоара преминава през тройник и петата степен на пречистване - полиращ филтър с активен въглен, който подобрява вкуса на водата. Филтърът с активен въглен се свързва с кранчето за питейна вода на плота (кранче 3) посредством синята тръба.

2. СПЕЦИФИКАЦИИ И СЪСТАВНИ ЧАСТИ

2.1. ОБОЗНАЧЕНИЯ НА МОДЕЛИТЕ

Модели

MO 5-36(50,75,100)
MO 5-36(50,75,100)P
MO 6-36(50,75,100)M
MO 6-36(50,75,100)MP
MO 6-36(50,75,100)UV
MO 6-36(50,75,100)UVP
MO 7-36(50,75,100)MUV
MO 7-36(50,75,100)MUVP

Модел на Вашата система

MO	*	_	***	****	*****
1	2	3	4	5	

1 – Вид филтър. RO е съкращение за обратна осмоза.

2 – Брой степени на пречистване.

3 – Капацитет на мембраната за обратна осмоза в gpd (галона на денонощие):

36GPD	136 литра на денонощие	5,6 литра на час
50GPD	190 литра на денонощие	7,9 литра на час
75GPD	280 литра на денонощие	11,6 литра на час
100GPD	380 литра на денонощие	15,8 литра на час

*Капацитетът на системите за обратна осмоза не е фиксиран и зависи от редица фактори, сред които качество на суровата вода, износеност на предварителните филтри и мембраната, температура и входящо налягане на водата.

4 — Легенда на допълнителното оборудване (липсата на допълни букви означава, че системата е базов модел):

M	Система с реминерализиращ филтър
P**	Система с помпа
UV	Система с ултравиолетова лампа

Пример: Ecosoft MO775MUVP е система за обратна осмоза със седем степени на пречистване, мембрана с капацитет 75 галона на ден (11,6 литра на час), реминерализиращ филтър, ултравиолетова лампа и помпа.

** Моделите са оборудвани с помпа за увеличаване на налягането (в обозначението на модела фигурира буквата "P") и са предназначени за свързване към монофазна мрежа с напрежение от 230 V / 50 Hz.

Системата е оборудвана със захранващ кабел с щепсел и може да бъде включена към заземен контакт, съгласно стандартите.

НЕ ВКЛЮЧАВАЙТЕ СИСТЕМАТА КЪМ ЕЛ. ЗАХРАНВАНЕТО ПРЕДИ ДА СТЕ НАПРАВИЛИ ВСИЧКИ ТРЪБНИ ВРЪЗКИ МЕЖДУ КОМПОНЕНТИТЕ.

ВНИМАНИЕ!

Препоръчително е монтажът на системата да се извърши от специализиран персонал.

Системата трябва да работи само със студена вода!

2. СПЕЦИФИКАЦИИ И СЪСТАВНИ ЧАСТИ

2.2. СПЕЦИФИКАЦИИ И ИЗИСКВАНИЯ

	Параметър	Valori
1	Налягане (за модели без помпа), bar.	3-6*
2	Налягане (за модели с помпа), bar	2-4,5*
3	Налягане в резервоара, bar	0,4-0,6**
4	Температура на входящата вода, °C	+4... +30***
5	Тегло на системата (базов модел), кг.	6
6	Температура на околната среда, °C	+5... +40***
7	Присъединителен размер на системата по вода	Cu filet, 1/2
8	Размери на системата, мм.	350x450x150
9	Размери на резервоара, мм.	350x260x260

*Ако налягането на водата е под изискванията се препоръчва закупуването на система с помпа. Ако налягането е над допустимите норми е необходимо да се инсталира редуцир вентил.

** Ако налягането в резервоара е по-високо, изпуснете налягането докато попадне в позволените норми.

***Ако температурата на входящата вода е в диапазона +20...+30 °C, задържането на примеси ще бъде по-ниско и капацитетът на системата ще намалее, което означава увеличаване на пропуснатите разтворени частици. Използването на системата при температури над +30°C не се препоръчва.

2.3. ИЗИСКВАНИЯ ЗА КАЧЕСТВОТО НА СУРОВАТА ВОДА*

	Показател	СТОЙНОСТ**
1	pH	6,5-8,5
2	Разтворени твърди частици, mg/l	<1500
3	Твърдост, mEq/l	<10,0
4	Свободен хлор, mg/l	<0,5
5	Желязо, mg/l	<0,3
6	Манган, mg/l	<0,1
7	Органични примеси, mg O2/l	<5
8	Бактериално замърсяване un./mg	<50
9	Размери на резервоара, мм	<3

*Ако качеството на суровата вода не отговаря на нормите, експлоатационният живот на мембраната и филтрите може да се скъси.

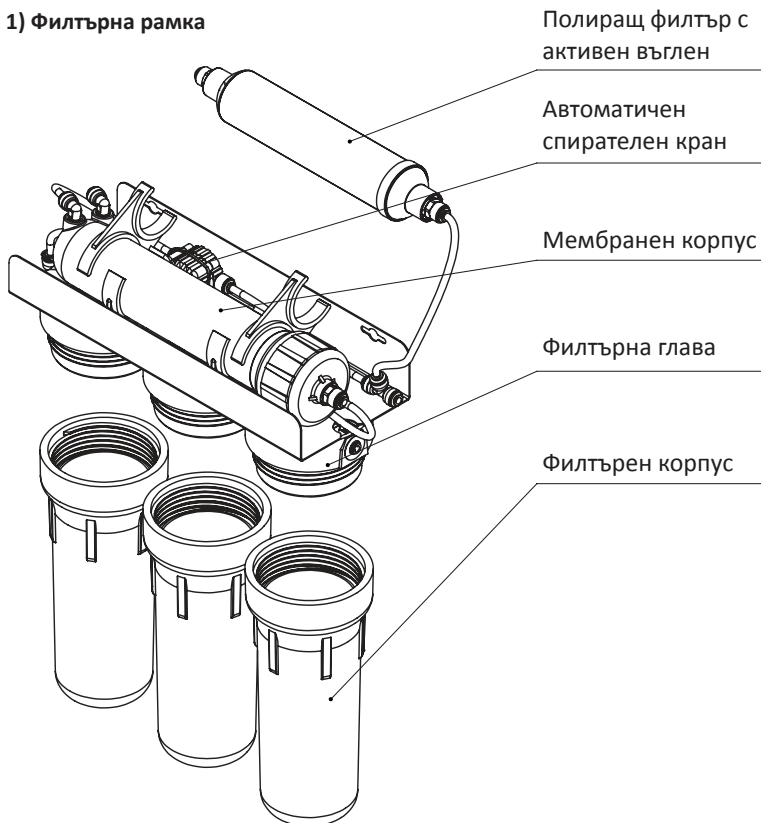
**Ако водоизточникът е кладенец, то е добре да изследвате водата преди да инсталирате система за обратна осмоза. Ако показателите надминават нормите, се препоръчва да се монтира допълнително оборудване, което да коригира показателите преди системата за обратна осмоза. Консултирайте се с професионалисти в сферата на обработката на вода.

2. СПЕЦИФИКАЦИИ И СЪСТАВНИ ЧАСТИ

2.4. СЪСТАВНИ ЧАСТИ И КОМПОНЕНТИ НА СИСТЕМАТА ЗА ОБРАТНА ОСМОЗА

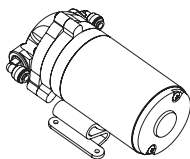
Производителят си запазва правото да променя дизайна или определени компоненти на системите, които няма да влошат параметрите и качеството на системите.

1) Филтърна рамка

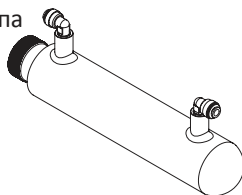


Опции:

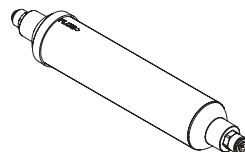
Помпа



UV лампа



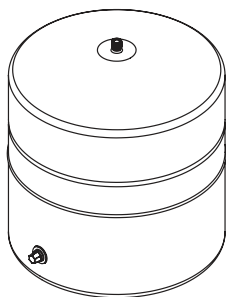
Реминерализиращ филтър (и/или полиращ пост-филтър с активен въглен)



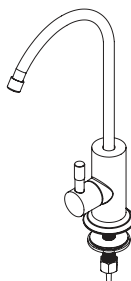
2. СПЕЦИФИКАЦИИ И СЪСТАВНИ ЧАСТИ

2.4. СЪСТАВНИ ЧАСТИ И КОМПОНЕНТИ НА СИСТЕМАТА ЗА ОБРАТНА ОСМОЗА

2) Резервоар



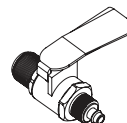
3) Кранче за питейна вода



4) Адаптер за входяща вода



5) Кран входяща вода



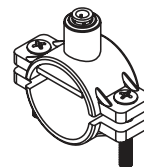
6) Кран на резервоара



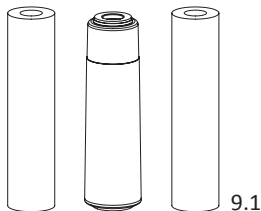
7) Цветни тръбни връзки (4 бр.)



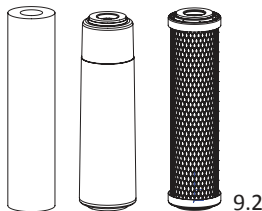
8) Дренажна скоба



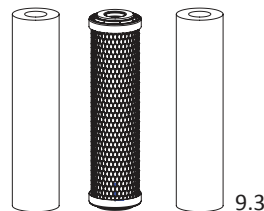
9) Комплект предварителни филтри (различни за различните модели)



9.1

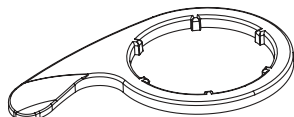


9.2

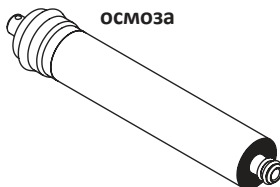


9.3

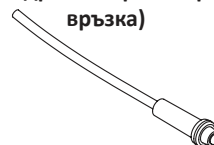
10) Ключ за филтни колони



11) Мембрана за обратна осмоза



12) Ограничител на потока (внедрен в черната тръбна връзка)

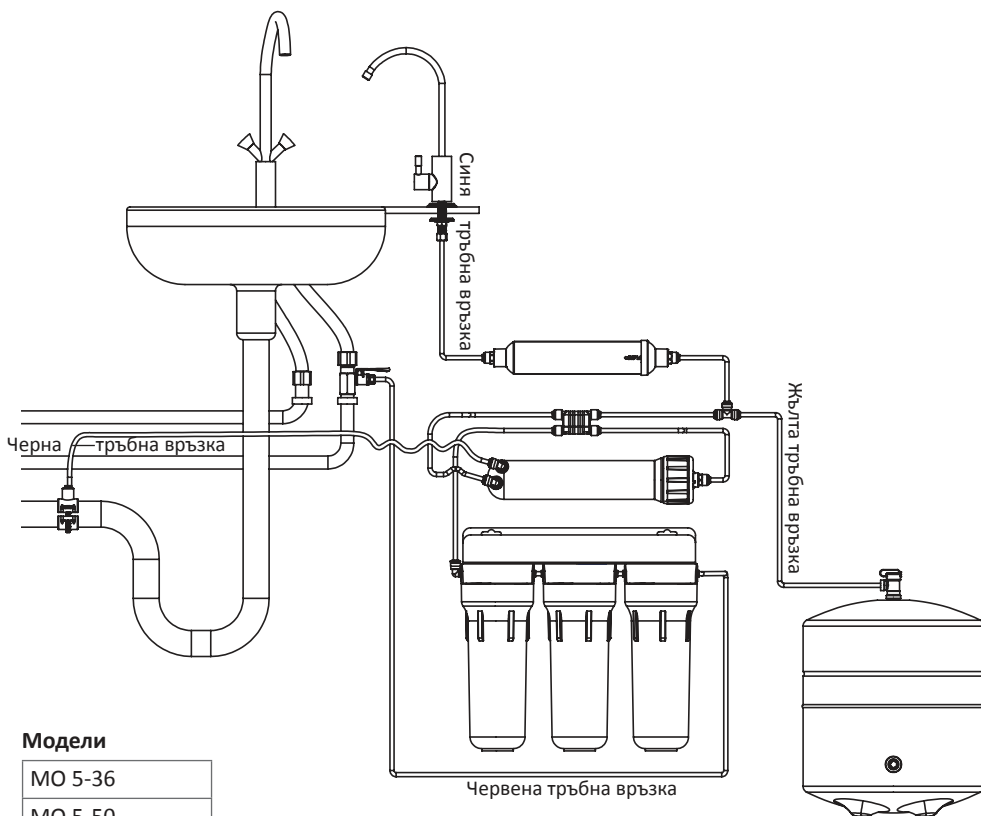


13) **Заклучваща щипка:** Аксесоар, който допълнително засилва заключващия ефект на бързите връзки между компонентите на системата и предотвратява разкачането на връзките. Наличието на щипка няма отношение към здравето на връзките, а е допълнителна превентивна мярка. Броят щипки в комплекта е различен за различните модели на системите, но няма ефект върху надеждността на системите.



3. ПРИСЪЕДИНИТЕЛНИ СХЕМИ

3.1. СХЕМА ЗА МОНТАЖ И ПРИСЪЕДИНЯВАНЕ НА БАЗОВ МОДЕЛ



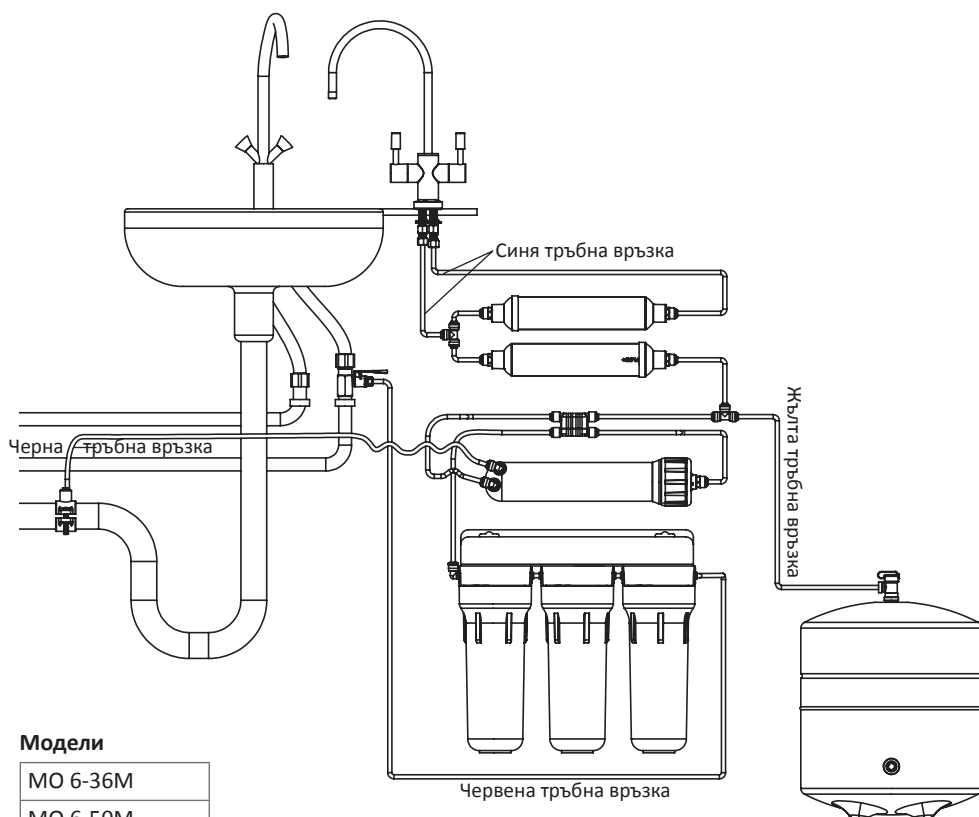
Модели

МО 5-36
МО 5-50
МО 5-75
МО 5-100

Производителят си запазва правото да променя дизайна или определени компоненти на системите, които няма да влошат параметрите и качеството на системите.

3. ПРИСЪЕДИНИТЕЛНИ СХЕМИ

3.2. СХЕМА ЗА МОНТАЖ НА СИСТЕМА С РЕМИНЕРАЛИЗАТОР



Модели

МО 6-36М

МО 6-50М

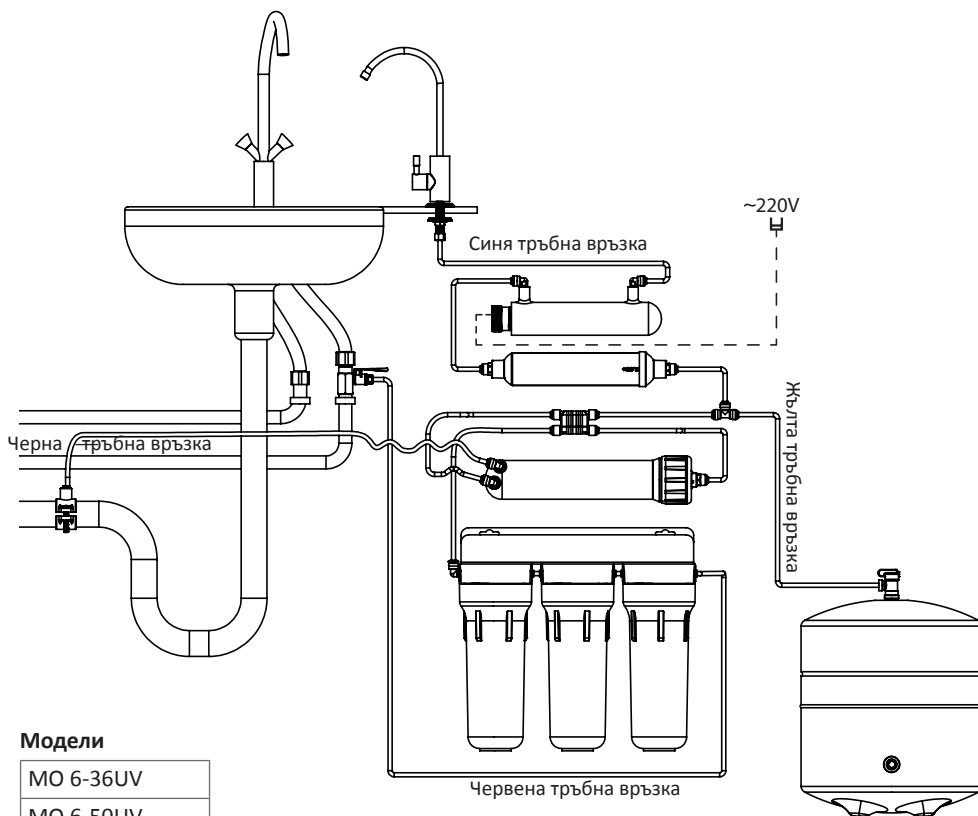
МО 6-75М

МО 6-100М

Производителят си запазва правото да променя дизайна или определени компоненти на системите, които няма да влошат параметрите и качеството на системите.

3. ПРИСЪЕДИНИТЕЛНИ СХЕМИ

3.3. СХЕМА ЗА МОНТАЖ НА МОДЕЛ С УЛТРАВИОЛЕТОВА ЛАМПА



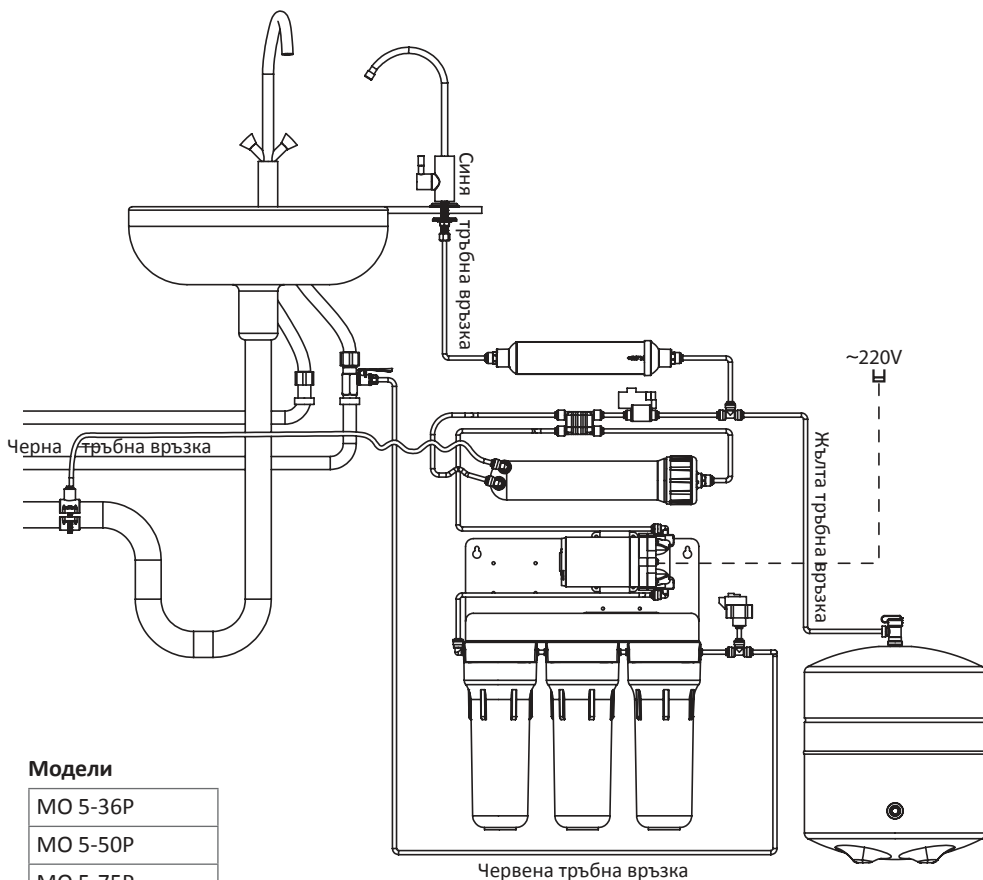
Модели

MO 6-36UV
MO 6-50UV
MO 6-75UV
MO 6-100UV

Производителят си запазва правото да променя дизайна или определени компоненти на системите, които няма да влошат параметрите и качеството на системите.

3. ПРИСЪЕДИНИТЕЛНИ СХЕМИ

3.4. СХЕМА ЗА МОНТАЖ НА СИСТЕМА С ПОМПА



Модели

МО 5-36P

МО 5-50P

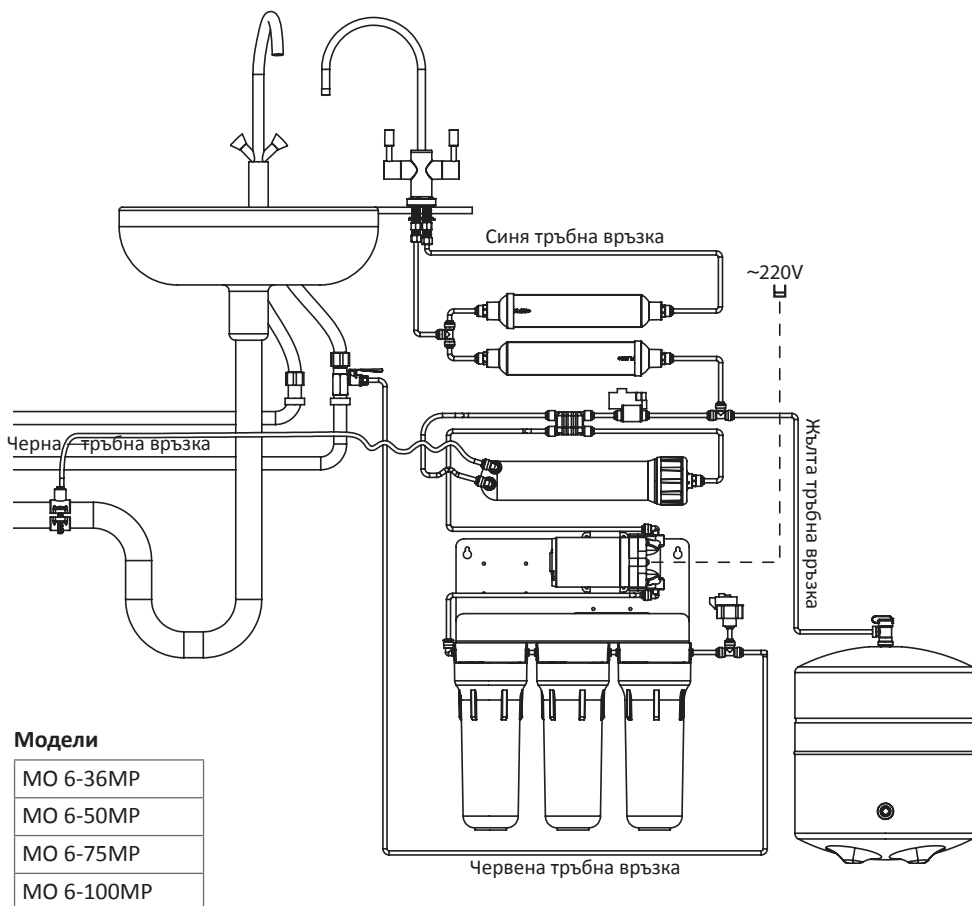
МО 5-75P

МО 5-100P

Производителят си запазва правото да променя дизайна или определени компоненти на системите, които няма да влошат параметрите и качеството на системите.

3. ПРИСЪЕДИНИТЕЛНИ СХЕМИ

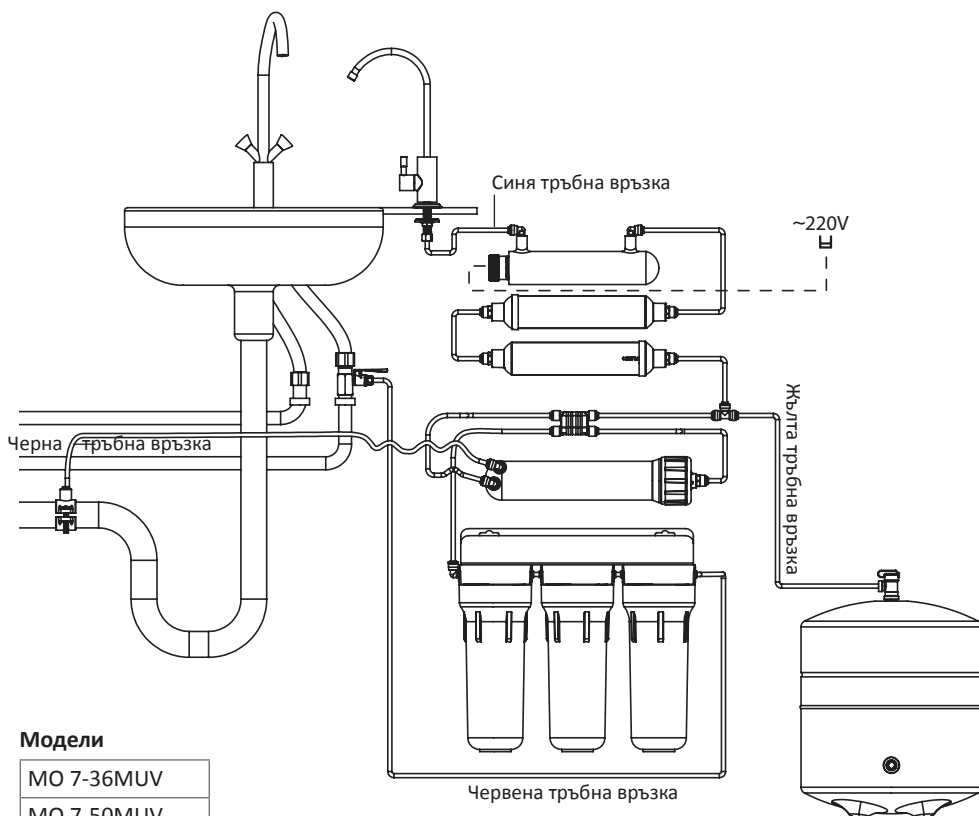
3.5. СХЕМА ЗА МОНТАЖ НА СИСТЕМА С РЕМИНЕРАЛИЗАТОР И ПОМПА



Производителят си запазва правото да променя дизайна или определени компоненти на системите, които няма да влошат параметрите и качеството на системите.

3. ПРИСЪЕДИНИТЕЛНИ СХЕМИ

3.6А. МОНТАЖ НА СИСТЕМИ С УЛТРАВИОЛЕТОВА ЛАМПА И РЕМИНЕРАЛИЗАТОР С ЕДНО КРАНЧЕ



Модели

МО 7-36MUV

МО 7-50MUV

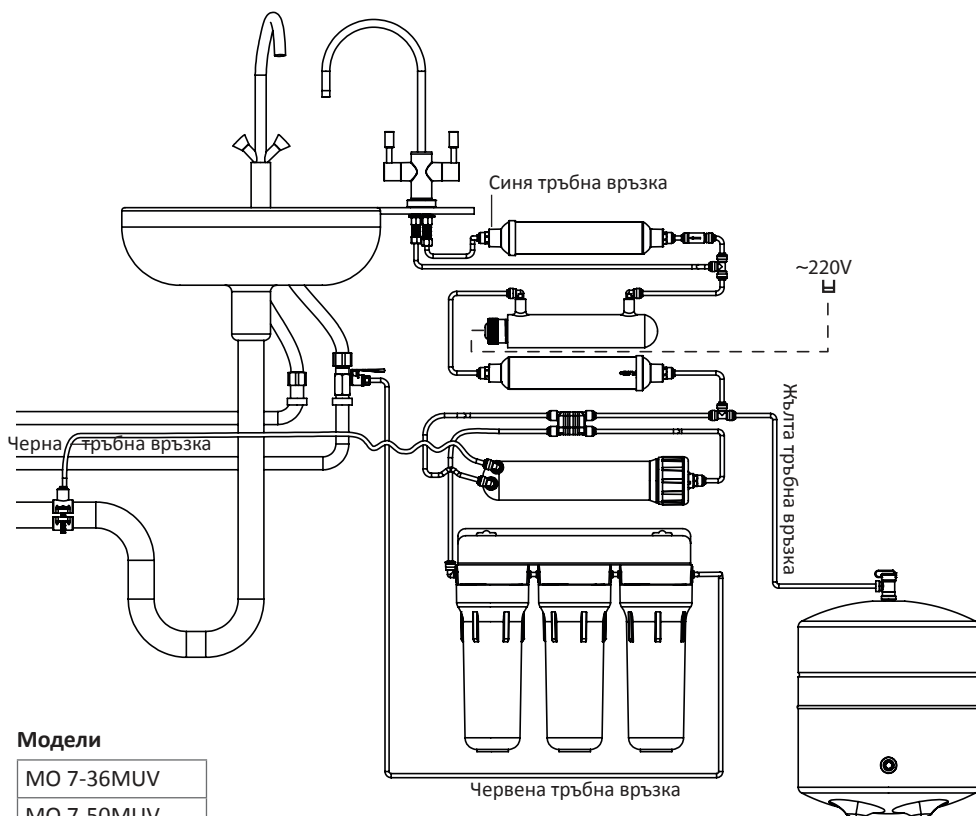
МО 7-75MUV

МО 7-100MUV

Производителят си запазва правото да променя дизайна или определени компоненти на системите, които няма да влошат параметрите и качеството на системите.

3. ПРИСЪЕДИНИТЕЛНИ СХЕМИ

3.6Б. МОНТАЖ НА СИСТЕМИ С УЛТРАВИОЛЕТОВА ЛАМПА И РЕМИНЕРАЛИЗАТОР С ДВЕ КРАНЧЕТА



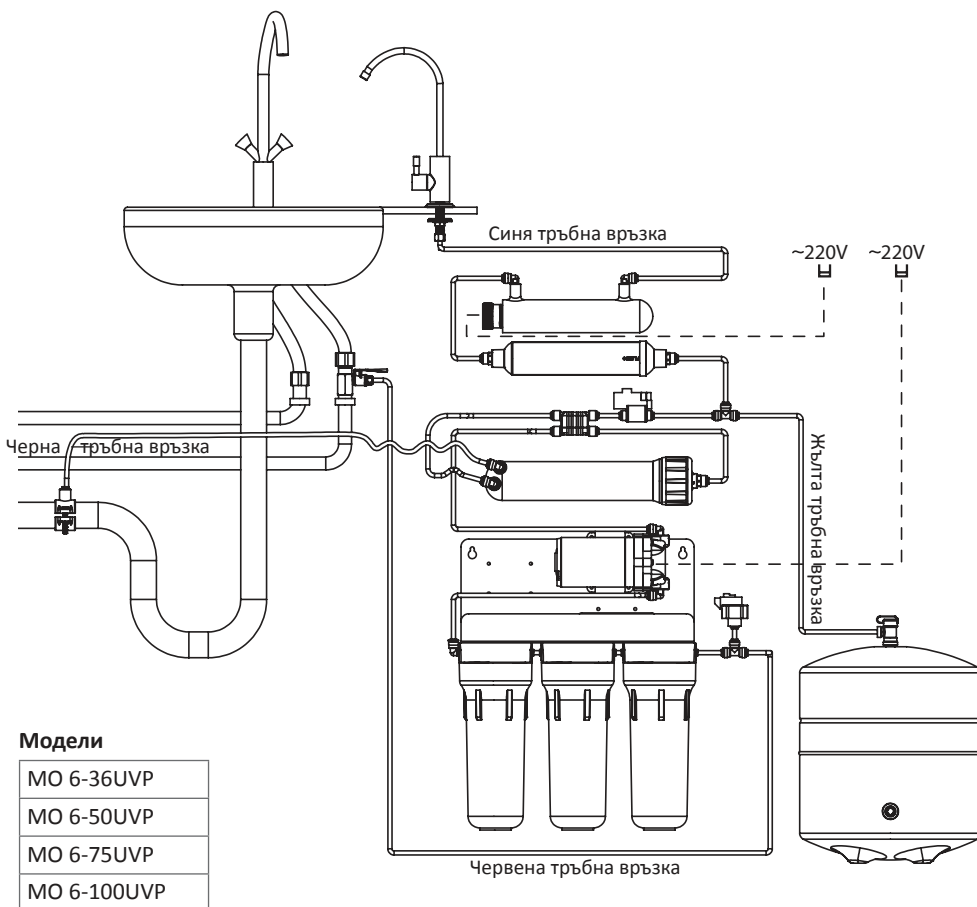
Модели

MO 7-36MUV
MO 7-50MUV
MO 7-75MUV
MO 7-100MUV

Производителят си запазва правото да променя дизайна или определени компоненти на системите, които няма да влошат параметрите и качеството на системите.

3. ПРИСЪЕДИНИТЕЛНИ СХЕМИ

3.7. СХЕМА ЗА МОНТАЖ НА СИСТЕМА С ПОМПА И УЛТРАВИОЛЕТОВА ЛАМПА

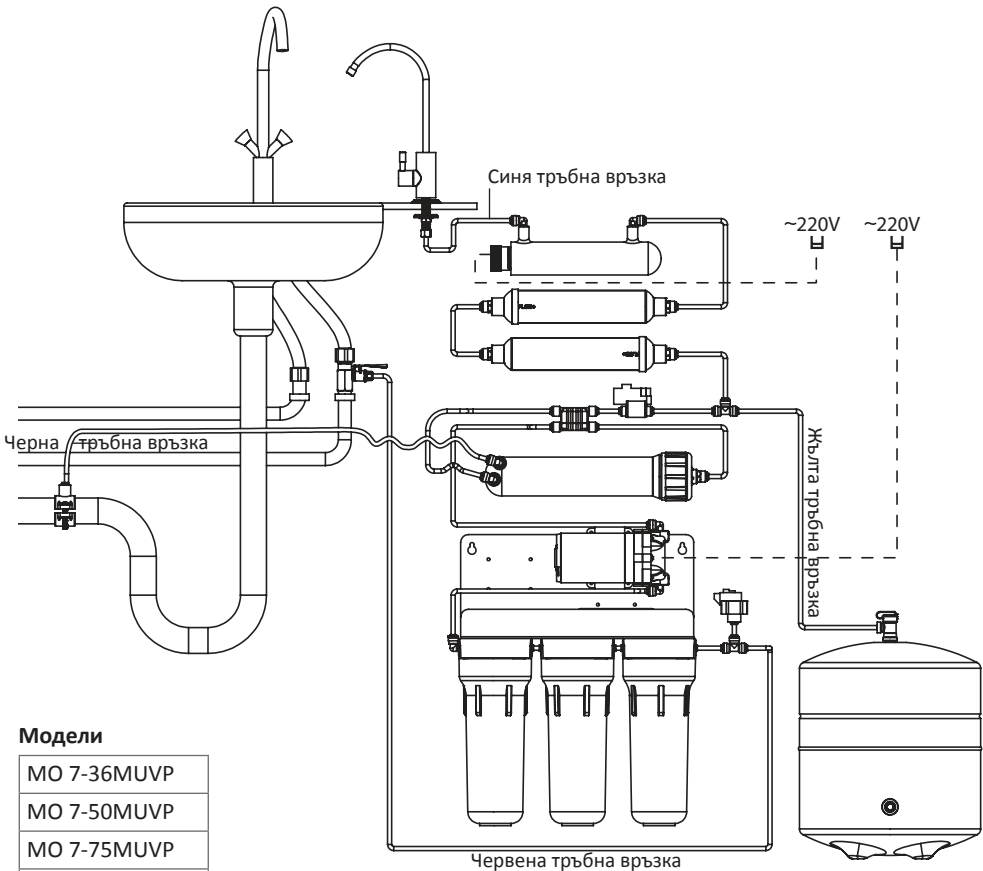


BG

Производителят си запазва правото да променя дизайна или определени компоненти на системите, които няма да влошат параметрите и качеството на системите.

3. ПРИСЪЕДИНИТЕЛНИ СХЕМИ

3.8А. МОНТАЖ НА СИСТЕМИ С ПОМПА, УЛТРАВИОЛЕТОВА ЛАМПА И РЕМИНЕРАЛИЗАТОР С ЕДНО КРАНЧЕ



Модели

МО 7-36MUVР

МО 7-50MUVР

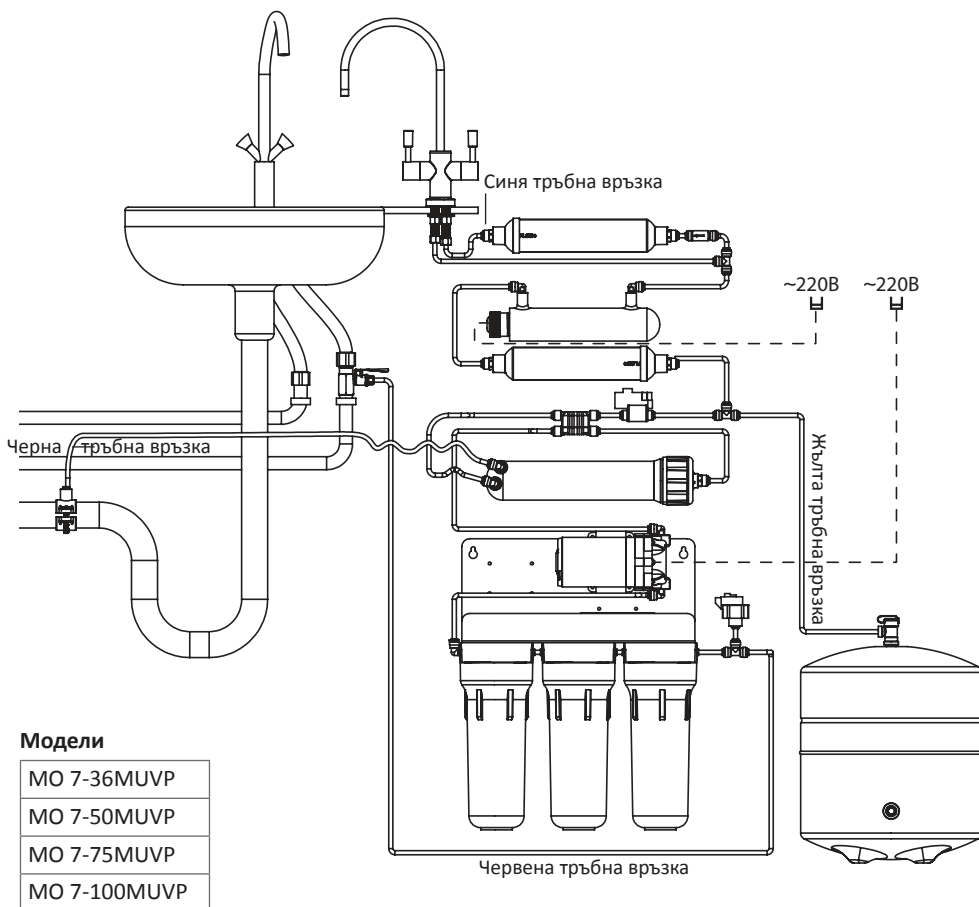
МО 7-75MUVР

МО 7-100MUVР

Производителят си запазва правото да променя дизайна или определени компоненти на системите, които няма да влошат параметрите и качеството на системите.

3. ПРИСЪЕДИНИТЕЛНИ СХЕМИ

3.8Б. МОНТАЖ НА СИСТЕМИ С ПОМПА, УЛТРАВИОЛЕТОВА ЛАМПА И РЕМИНЕРАЛИЗАТОР С ДВЕ КРАНЧЕТА



BG

Производителят си запазва правото да променя дизайна или определени компоненти на системите, които няма да влошат параметрите и качеството на системите.

4. МОНТАЖ НА СИСТЕМА ЗА ОБРАТНА ОСМОЗА

МОЛЯ ПРОЧЕТЕТЕ ВНИМАТЕЛНО ИНСТРУКЦИЯТА ПРЕДИ ДА ИНСТАЛИРАТЕ СИСТЕМАТА ЗА ОБРАТНА ОСМОЗА.

4.1. ПРОВЕРЕТЕ ОКОМПЛЕКТОВКАТА И ИЗИСКВАНИЯТА ЗА СИСТЕМАТА

1) Проверете дали всички части на системата са налични. Не отваряйте опаковките с компоненти преди да се убедите, че всичко е налично.

2) Проверете дали реалните условия отговарят на изискванията за монтаж на системата:

Налягане*	Налягане на резервоара*	Температура на входящата вода*
Проверете налягането на суровата вода преди да монтирате системата. За справка за допустимите стойности, вижте раздел 2.2 от ръководството.	Проверете налягането в балона на резервоара. За справка за допустимите стойности вижте раздел 2.2 от ръководството.	Проверете температурата на суровата вода. За справка за допустимите стойности вижте раздел 2.2 от ръководството.
*Върнете се на раздел 2.2 от ръководството в случай, че някой от показателите не отговаря на изискванията.		

- Уверете се, че продуктът покрива изискванията от раздел 2.2;

- Уверете се, че качеството на суровата вода** отговаря на изискванията от раздел 2.3.

Ако суровата вода не отговаря на изискванията, консултирайте се със специалист в областта на водоподготовката.

3) Преди да преминете към монтаж на системата проверете дали има достатъчно място за рамката с филтърните корпуси и резервоара в шкафа под мивката. В случай, че мястото не е достатъчно, резервоарът може да се постави и на отделно място стига жълтата тръба да стига до него.

4) Следвайте инструкциите за монтаж по-долу.

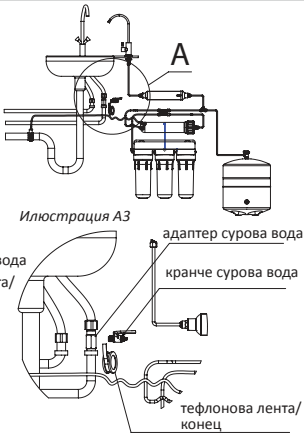
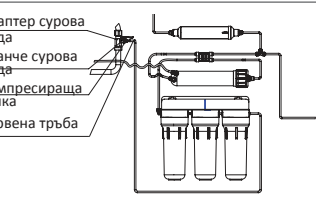
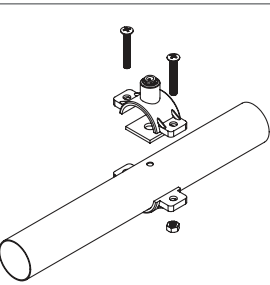
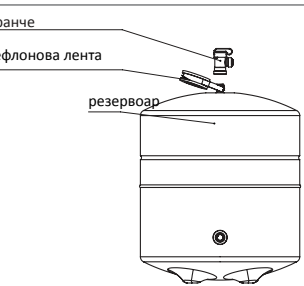
4.2. ИНСТРУКЦИЯ ЗА МОНТАЖ

ВНИМАНИЕ! Системите задължително се тестват от производителя за течове, така че може да има остатъчна вода в отделните компоненти и това е нормално.

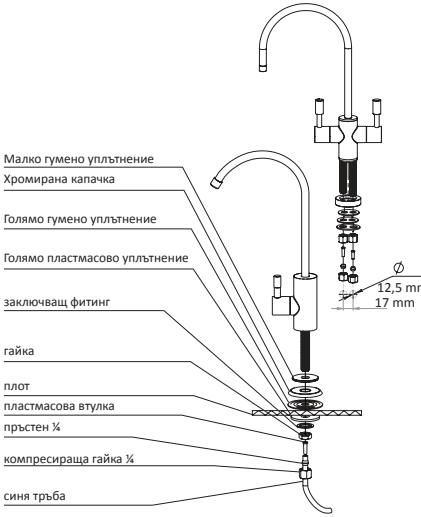
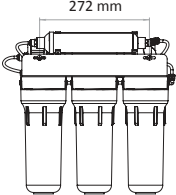
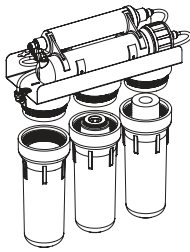
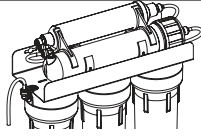
Препоръчително е системата да се монтира на места защитени от пряка слънчева светлина и далече от нагревателни уреди.

1.	Извадете системата за обратна осмоза от кашона и проверете окомплектовката. Не отваряйте плика със съставни части преди да се уверите, че всички компоненти са налични. Ако отворите плика с компоненти няма да можете да предявите рекламация за липсващи части.
2.	Спрете подаването на вода към кухнята или цялата къща и отворете кранчето на мивката където ще инсталирате системата за около 1 минута, за да намалите налягането по тръбопровода. Затворете кранчето на мивката.

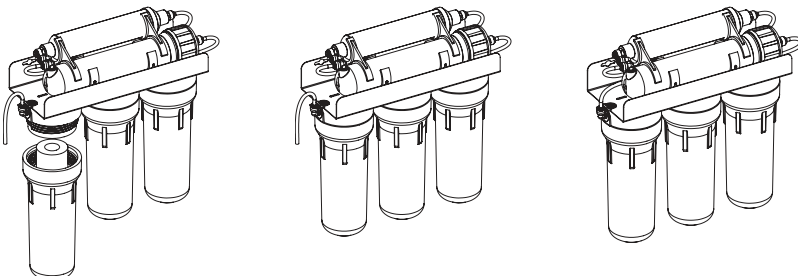
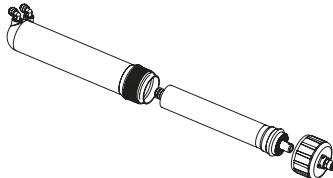
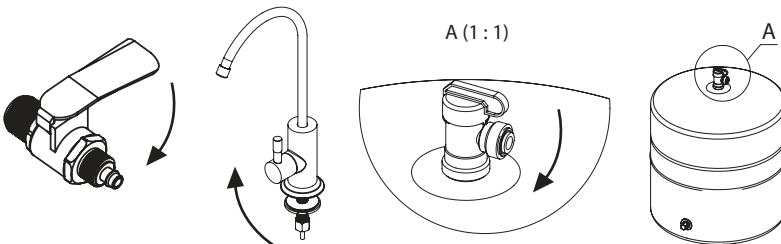
4. МОНТАЖ НА СИСТЕМА ЗА ОБРАТНА ОСМОЗА

3.	<p>Завийте присъединителния адаптер на суровата вода 4 към захранването на студената вода на мивката. Завийте кранче 5 към адаптер 4. За да избегнете течове, използвайте тefлонова лента или конец за уплътнение на фитингите.</p>	
4.	<p>Отвийте компресиращата гайка на кранче 5 и я поставете на червената тръбна връзка. нанижете червената тръба до края на фитинга на кранчето и завийте обратно гайката като по този начин уплътните червената тръба към кранчето на вход на системата. Свържете другия край на червената тръба с бързата връзка на първия (най-десния) филтърен корпус.</p>	
5.	<p>Свържете дренажната скоба 8 към сифона/канала за отпадна вода. Пробийте дупка с диаметър 5 мм. в сифона, залепете правоъгълното гумено уплътнение със самолепяща се основа към тръбата (включено в комплекта). Монтирайте дренажната скоба 8 върху сифона. Затегнете болтовете и гайките на скобата. Пъхнете черната тръба в отвора на скобата (Илюстрация 4). Свържете другия край на черната тръба с изхода на концентрата на мембрания корпус.</p> <p>ВНИМАНИЕ! Проверете дали ограничителят на потока е поставен в черната тръба и е монтиран към мембрания корпус.</p>	
6.	<p>Намотайте няколко пъти тefлонова лента/конец на резбата в горния край на резервоара. Завийте кранчето на резервоара. Затворете кранчето.</p> <p>ВАЖНО! Проверете налягането в празния резервоар. То трябва да е 0,4-0,6 бара. Ако е необходимо използвайте помпа с манометър, за да увеличите налягането или бутнете основата на кранчето, за да изпуснете налягането.</p>	

4. МОНТАЖ НА СИСТЕМА ЗА ОБРАТНА ОСМОЗА

7.	Инсталиране на настолното кранче	 <p>Малко гумено уплътнение Хромирана капачка Голямо гумено уплътнение Голямо пластмасово уплътнение заключващ фитинг гайка плот пластмасова втулка пръстен ¼ компресираща гайка ¼ синя тръба</p> <p>12,5 mm 17 mm</p>
7.1	За да инсталирате кранчето, пробийте дупка с диаметър 12,5 мм. в предпочитано от Вас място на плота или мивката.	
7.2	Внимание! Металните стружки могат да повредят системата за обратна осмоза. Отстранете ги внимателно след като пробийте дупката. Използвайте специални бургии ако плотът е керамичен или каменна плоча.	
7.3	Закрепете кранчето от горната страна на плота, както е показано на илюстрацията. Гайката, назъбения заключващ фитинг и пластмасовия фитинг трябва да фиксират кранчето плътно към плота.	
7.4	Вземете синята тръбна връзка и върху нея сложете последователно компресиращата гайка, пръстена и пластмасовата втулка в тръбата.	
7.5	Пъхнете синята тръба до край в дръжката/стъблото на кранчето като се уверите, че пръстена е плътно опрян в основата на стъблото. Завийте компресиращата гайка, за да прикрепите синята тръба към кранчето за пречистена вода.	
7.5	Повторете присъединяването и към второто стъбло на кранчето (отнася се за системи с реминерализатор). Принципът на присъединяване и съставните части на връзката са идентични на стандартните модели.	
8.	Изберете къде ще монтирате рамата с филтрите и пробийте две дупки. Разстоянието между филтрите трябва да отговаря точно на разстоянието между дупките на рамата. Оставете поне 100 мм. отстояние от долната част на филтърните корпуси до пода, за да могат периодично да се сменят филтрите. Ако се налага използвайте анкерни болтове (не са включени в комплекта). Разстоянието между дупките на рамата е 272 мм.	 <p>272 mm</p>
9.	Поставете картридж филтрите в първия и втория корпус по посока на потока (наляво).	
10.	Завийте и трите корпуса на ръка.	
11.	Разкачете тръбичката на третия корпус (по посока на потока) от спирателния вентил.	

4. МОНТАЖ НА СИСТЕМА ЗА ОБРАТНА ОСМОЗА

12.	<p>Отворете кранчето на суровата вода 5 и оставете през първите два предварителни филтъра да изтечат 5-7 литра вода, за да се отмият евентуални остатъци пращинки и активен въглен, които са се появили по време на транспорта.</p> <p>ВНИМАНИЕ! Тази вода ще изтече от тръбичката, която е разкачена от спирателния вентил (стъпка 11 по-горе). Пригответе си съд, в който да я изсипете.</p>
13.	<p>Поставете картридж филтъра в третия корпус по посока на потока и го завийте обратно към рамката. Затворете кранчето на суровата вода 5 и свържете отново свободния край на тръбичката (от стъпка 11) към спирателния вентил.</p> 
14.	<p>Поставете мембраната за обратна осмоза 11 в мембрания корпус.</p> <p>ВНИМАНИЕ! Срежете найлоновата опаковка на мембраната. Инсталирайте я с гуменото уплътнение към капачката с един вход и я поставете в корпуса с помощта на опаковката - не пипайте мембраната с голи ръце, а я прибутвайте с помощта на опаковката. Изхвърлете опаковката след като поставите мембраната в корпуса.</p> 
15.	<p>Отворете крана на суровата вода 5 и кранчето за пречистена вода 3 и оставете водата да тече в продължение на 30 минути. След това отворете кранчето на резервоара. Затворете кранчето за пречистена вода 3 и внимателно проверете за течове по системата.</p> <p>ВНИМАНИЕ! През първата седмица след монтаж на системата проверявайте за течове ежедневно. При по-продължителни отсъствия от дома е препоръчително да изключите изцяло водоснабдяването към системата от кранчето на суровата вода 5.</p> 
16.	<p>След като резервоарът се напълни (ще чуете, че водата спира да тече през системата), изпразнете/дренирайте всичката вода от резервоара през кранчето за пречистена вода 3. След като изпразните резервоара затворете кранче 3, за да се стартира повторно запълване на резервоара. В зависимост от налягането на суровата вода, това може да отнеме от 0,5 - 3 часа. След повторното запълване на резервоара вече можете да използвате водата за питейни нужди.</p>

5. СЪПКИ СЛЕД ИНСТАЛАЦИЯ НА СИСТЕМАТА

ПРОВЕРКА НА РАБОТНИТЕ ПАРАМЕТРИ НА СИСТЕМАТА

1. Засечете времето, за което се запълва резервоара. Резервоарът е пълен тогава, когато изхвърлянето на концентрат в сифона спре. Времетраенето на запълване зависи от входящото налягане на водопровода.
2. Измерете производителността на системата (пропорцията на пречистена вода). Ще са Ви необходими кана с вместимост 1 литър и хронометър. Затворете крана на резервоара 6, отворете кранче 3 и измерете времето, което отнема на системата да произведе 1 литър пермеат (пречистена вода), след което затворете кранче 3. Запишете резултата (t пермеат в уравнението по-долу). Разкачете черната тръба вързана към сифона. Отворете кранче 3 и измерете времето, което отнема на системата да изхвърли 1 литър концентрат (отпадна вода), след което затворете кранче 3 и отворете крана на резервоара. Запишете резултата (t концентрат в уравнението по-долу). Изчислете производителността на системата чрез следната формула:

$$R = \frac{t_{\text{концентрат}}}{t_{\text{пермеат}} + t_{\text{концентрат}}} \times 100\%$$

Където t е броя секунди необходими да се добие 1 литър вода, а R е производителност.

3. Измерете общо разтворените вещества на суровата вода и тези на пречистената вода с калибриран уред за измерване.
4. Проверете дали спирателният вентил работи изрядно. Затворете кран 6 и кранче 3. При това положение системата следва да спре да работи (ще спре да се изхвърля вода на канал в сифона) в рамките на 10 минути.
5. Проверете системата за течове.
6. Запознайте се подробно с това упътване и процедурите по поддръжка на системата.
7. Водете дневник на системата по образеца в раздел 9 на това ръководство.

6. УПОТРЕБА И ЕКСПЛОАТАЦИЯ НА СИСТЕМИТЕ

Битовите системи за обратна осмоза са предназначени за пречистване единствено на студена вода.

Ако времето за запълване на резервоара се увеличи, то предварителните филтри са запушени и се налага тяхната подмяна. Забавяне на смяна на филтрите може да компрометира и унищожи мембраната за обратна осмоза.

За да избегнете подобни критични ситуации, препоръчително е да сменят предварителните филтри на всеки **3 месеца**.

Ако скоростта на филтрация намалее значително и смяна на филтрите вече не помага, то е време да смените мембраната за обратна осмоза. За гарантирано добра и чиста вода се препоръчва мембраната да се сменя периодично на **1 - 1,5 години**.

Ако не сте използвали системата за по-дълъг период от време (2 или повече седмици), се препоръчва санитизация на системата - описана в раздел 7.

Ако възнамерявате да отсъствате за дълго време и да не ползвате системата, препоръчително е да спрете водоснабдяването към нея.

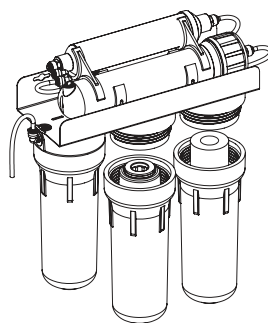
6. УПОТРЕБА И ЕКСПЛОАТАЦИЯ НА СИСТЕМИТЕ

6.1. КОМПОНЕНТИ НА СИСТЕМАТА И ПРЕПОРЪЧИТЕЛНИ ПЕРИОДИЧНИ СМЕНИ НА ФИЛТРИТЕ

Степен на филтрация	Наименование на картридж филтъра	Честота на подмяна
първа	Предварителни филтри за сурова вода пред обратната осмоза. Експлоатационният живот на филтрите зависи от качеството на суровата вода и консумацията на пречистена вода на денонощие.	Препоръчително веднъж на 3 месеца
втора		
трета		
четвърта	Мембрана за обратна осмоза	Веднъж годишно
пета	Полирац филтър с активен въглен	
шеста	Реминерализатор/UV лампа	

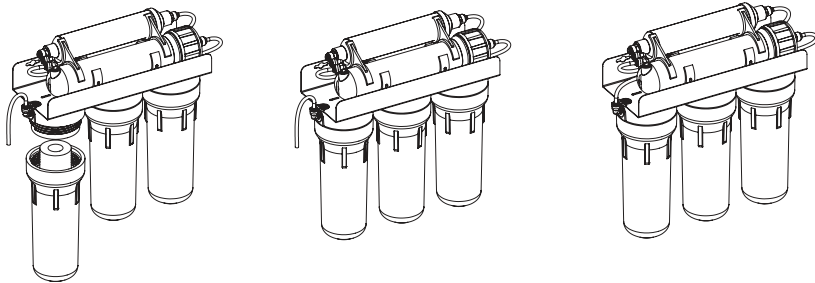
6.2. СМЯНА НА ПРЕДВАРИТЕЛНИТЕ ФИЛТРИ

1.	Затворете кранчето на входящата вода 5 и крана на резервоара 6.
2.	Измийте ръцете си с антибактериален сапун.
3.	Развийте с помощта на ключа първия и втория корпус с филтри по посока на потока (отдясно наляво). Внимавайте, тъй като корпусите са пълни с вода.
4.	Извадете използваните картридж филтри.
5.	Изплакнете корпусите с неароматизиран сапун и чиста кухненска гъба. Изплакнете обилно с вода.
6.	Поставете новите картридж филтри в първия и втория корпус по посока на потока.
7.	Откачете тръбичката от спирателния вентил след третия филтър корпус.
8.	Отворете кранчето на суровата вода 5 и оставете през първите 2 корпуса да протечат 5-7 литра вода. ВНИМАНИЕ! Тази вода ще изтече от тръбичката, която е разкачена от спирателния вентил (стъпка 11 по-горе). Пригответе си съд, в който да я изпилвате.



6. УПОТРЕБА И ЕКСПЛОАТАЦИЯ НА СИСТЕМИТЕ

9. Развийте третия корпус от рамата. Внимавайте, тъй като е пълен с вода.
10. Извадете използвания картридж филтър. Изплакнете корпуса със сапун и кухненска гъба и изплакнете обилно с вода.
11. Поставете новия филтър в третия корпус. Завийте корпуса към рамата и прокарайте поне още 4 литра вода, за да отмие разпрашавания от активния въглен. Затворете кранче 5 и свържете отново тръбичката от третия корпус към спирателния вентил.



13. Отворете крана на резервоара 6.
14. Отворете кранчето на суровата вода 5.

6. УПОТРЕБА И ЕКСПЛОАТАЦИЯ НА СИСТЕМИТЕ

6.3 СМЯНА НА МЕМБРАНАТА ЗА ОБРАТНА ОСМОЗА

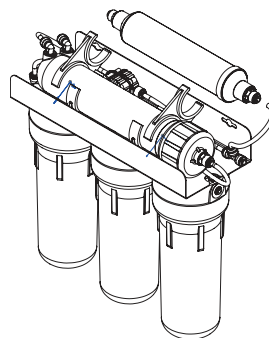
(Препоръчително е смяната на мембраната да е от специализирано лице)

1.	Спрете водоснабдяването към системата (затворете кранче 5), затворете крана на резервоара 6.
2.	Отворете кранчето за пречистена вода 3, за да спадне налягането на пермеата.
3.	Откачете бялата тръбичка от входа на капачката на мембранный корпус.
4.	Развийте капачката на мембранный корпус.
5.	Извадете използваната мембрана за обратна осмоза 11 (запомнете кой край на мембраната е към капачката и към противоположния край на корпуса).
6.	Използвайте лубрикант за уплътненията на новата мембрана, както и за уплътнението на капачката. ВНИМАНИЕ! За да не увредите мембраната, като лубрикант използвайте само глицерол хранителен клас!
7.	Инсталирайте новата мембрана в корпуса като внимавате за посоката на зареждане. ВНИМАНИЕ! Срежете найлоновата опаковка на мембраната. Инсталирайте я с гуменото уплътнение към капачката с един вход и я поставете в корпуса с помощта на опаковката - не пипайте мембраната с голи ръце, а я прибутвайте с помощта на опаковката. Изхвърлете опаковката след като поставите мембраната в корпуса.
8.	Завийте капачката на мембранный корпус.
9.	Свържете бялата тръбичка към входа на мембранный корпус.
10.	Затворете кранчето за пречистена вода 3.
11.	Отворете крана на резервоара 6.
12.	Отворете кранчето на суровата вода 5.
13.	След като резервоарът се напълни (ще чуете, че водата спира да тече през системата), изпразнете/дренирайте всичката вода от резервоара през кранчето за пречистена вода 3. След като изпразните резервоара затворете кранче 3, за да се стартира повторно запълване на резервоара. В зависимост от налягането на суровата вода, това може да отнеме от 0,5 - 3 часа. След повторното запълване на резервоара вече можете да използвате водата за питейни нужди.

6. УПОТРЕБА И ЕКСПЛОАТАЦИЯ НА СИСТЕМИТЕ

6.4 СМЯНА НА ПОЛИРАЦИЯ И/ИЛИ РЕМИНЕРАЛИЗИРАЩ ФИЛТЪР

1.	Спрете водоснабдяването към системата (затворете кранче 5), затворете крана на резервоара 6.
2.	Отворете кранчето за пречистена вода 3, за да намалите налягането на пермеата.
3.	Разкачете тръбичките, които свързват полирация/реминерализиращ филтър към системата (запомнете как са свързани тръбичките към портовете на системата).
4.	Отстранете използваните филтри от щипките на бързите връзки.
5.	Поставете новите филтърни корпуси като следите стрелките за посока на потока на самите корпуси.
6.	Свържете отново тръбичките на полирация/минерализиращ филтър към системата.
7.	Отворете кранчето на суровата вода 5. Отворете крана на резервоара 6.
9.	След като резервоарът се напълни (ще чуете, че водата спира да тече през системата), изпразнете/дренирайте всичката вода от резервоара през кранчето за пречистена вода 3. След като изпразните резервоара затворете кранче 3, за да се стартира повторно запълване на резервоара. В зависимост от налягането на суровата вода, това може да отнеме от 0,5 - 3 часа. След повторното запълване на резервоара вече можете да използвате водата за питейни нужди.



6.5. СМЯНА НА УЛТРАВИОЛЕТОВАТА ЛАМПА

(Препоръчително е подмяната на UV лампата да се извърши от квалифициран персонал)

Препоръчителният експлоатационен период на UV лампите е 9000 часа (относително 1 година непрекъсната работа)

ВНИМАНИЕ!

Използването на UV лампа по-дълго от указания експлоатационен период не е препоръчително, тъй като интензитетът на лъчението, както и антибактериалната ефикасност отслабват значително.

Строго се забранява включването на лампата, когато е извън металния си корпус, както и гледането на работещата лампа с невъоръжено око. Това може да доведе до увреждане на очите и дори загуба на зрението. Когато сменяте UV лампата е препоръчително да се почисти кварцовия ръкав/обвивка на лампата. Не използвайте абразивни материали, тъй като те могат да влошат прозрачността на покритието и съответно ефикасността на дезинфекция. Внимавайте при ваденето на кварцовия ръкав от корпуса, за да не го увредите

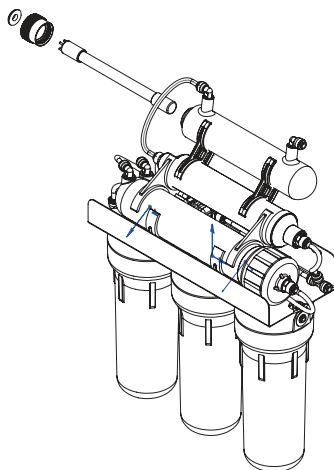
6. УПОТРЕБА И ЕКСПЛОАТАЦИЯ НА СИСТЕМИТЕ

или надраскате.

Внимателно отстранете уплътненията на кварцовия ръкав. Тези уплътнения предпазват лампата и ел. връзките от течове.

UV лампите трябва да се хващат само за керамичните накрайници, тъй като замърсяване на кварцовите повърхности ще намали антибактериалния капацитет на лампата и ще скъси работния ѝ живот. Използвайте памучни ръкавици при работа с лампите.

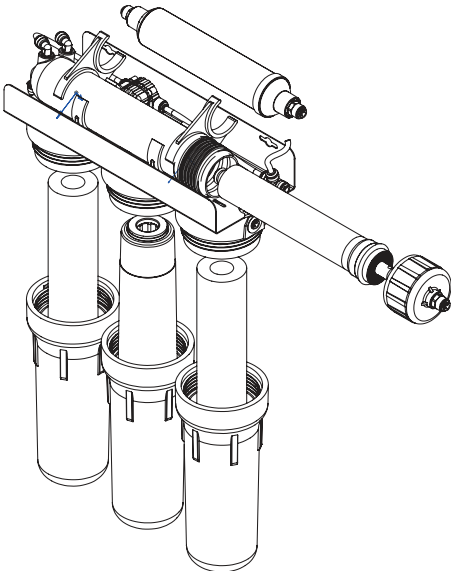
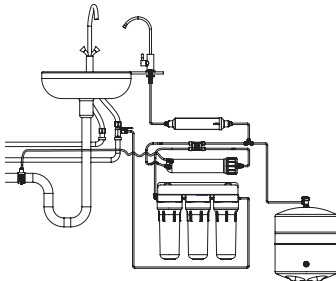
1.	Изключете UV лампата от захранването.
2.	Затворете кранчето на суровата вода 5 и крана на резервоара 6.
3.	Отстранете черната PVC капачка с вход за ел. захранване.
4.	Извадете лампата от кварцовия ръкав като я държите в основата. НЕ пипайте крушката! Țineți Lampa de baza acesteia și conectați conectorul electricescă.
5.	Разкачете захранващия конектор от основата му.
6.	Поставете новата лампа до половина в кварцовия ръкав.
7.	Свържете захранващия конектор.
8.	Пъхнете новата лампа навътре до край и поставете PVC капачката.
9.	Възстановете водоснабдяването към системата и се уверете, че уплътнението на кварцовия ръкав е добре стегнато и не се е разместило по време на подмяната на лампата.
10.	Включете ел. захранването в контакта и се уверете, че новата лампа работи правилно, а именно, че на адаптера свети непрекъсната зелена LED светлина.



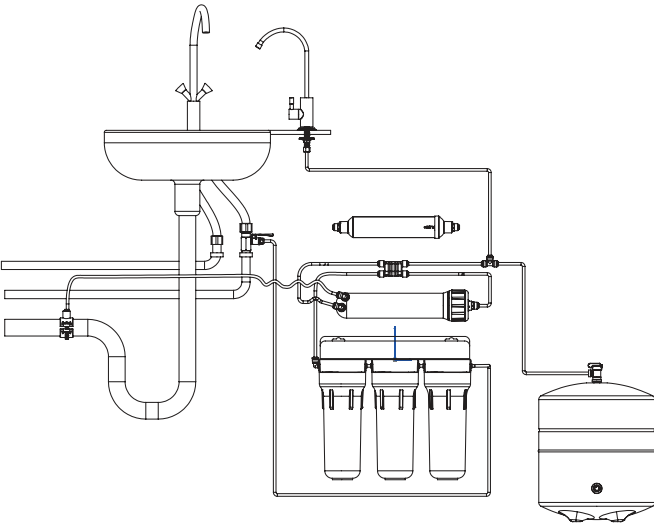

7. САНИТИЗАЦИЯ НА СИСТЕМАТА

Санитизация на системата за обратна осмоза се препоръчва след продължителен период на експлоатация (около 6 месеца) и в случаи, когато системата няма да се използва в продължение на 3 или повече седмици. Препоръчва се санитизация и при подмяна на филтрите.

За санитизация на системите се препоръчва използването на хлорни дезинфектиращи таблетки.

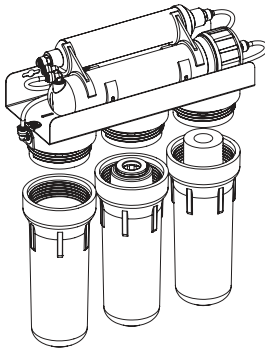
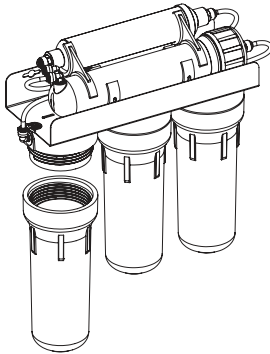
1.	Затворете кранчето на суровата вода 5 и крана на резервоара 6.
2.	<p>Извадете и изхвърлете предварителните филтри на системата.</p> 
3.	<p>Развийте капачката на мембрания корпус и извадете мембраната с помощта на фини клещи ако е необходимо. Сложете мембраната в стегната опаковка и я поставете в хладилник при температура +2...+5 °C</p>
4.	<p>Завийте обратно корпуси 2 и 3 на предварителните филтри, завийте капачката на мембрания корпус и свържете тръбата от кранчето на плота директно към тройника без полиращия филтър.</p> 

7. САНИТИЗАЦИЯ НА СИСТЕМАТА

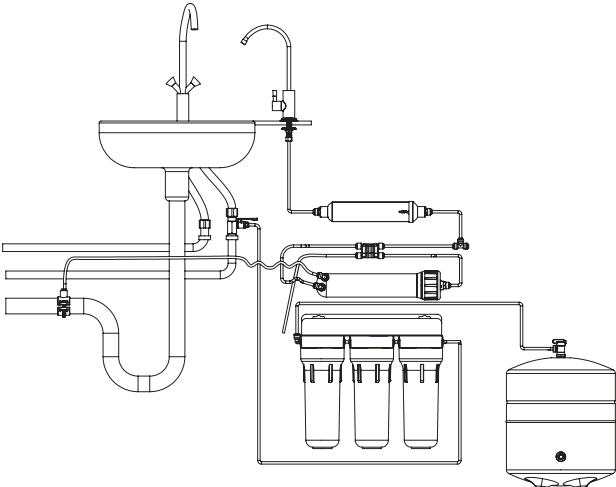
4.	
5.	<p>Поставете една хлорна таблетка в първия филтърен корпус. Запълнете корпуса с вода и го завийте към рамата.</p> 
6.	<p>След 15 минути отворете кранчето за преработена вода 3 и кранчето на суровата вода 5.</p>
7.	<p>Когато водата, която изтича от кранчето за преработена вода замирише на хлор, затворете и двете кранчета - 3 и 5.</p>
8.	<p>Оставете системата да кисне 2-3 часа.</p>
9.	<p>Отворете кранче 3 и 5 и оставете водата да тече през системата докато мирисът на хлор не изчезне.</p>
10.	<p>Върнете всички части и консумативи обратно в системата. Отворете крана на резервоара 6 и кранчето на суровата вода 5.</p>
11.	<p>Изпразнете/дренирайте резервоара няколко пъти (докато не се усеща мирис на хлор).</p>

7. САНИТИЗАЦИЯ НА СИСТЕМАТА

7.1 САНИТИЗАЦИЯ НА РЕЗЕРВОАРА

1.	Затворете кранчето на суровата вода 5.
2.	Отворете кранчето за пречистена вода 5 и изпразнете резервоара на канал.
3.	Затворете крана на резервоара 6.
4.	Извадете предварителните филтри. 
5.	Завийте филтърни корпуси 2 и 3 (по посока на потока на вода) обратно към рамата. 

7. САНИТИЗАЦИЯ НА СИСТЕМАТА

6.	<p>Разкачете тръбата към резервоара от тройника преди полирацион филтър и изхода от третия предварителен филтър.</p> 
7.	Сложете дезинфектираща таблетка в първия корпус. Напълнете корпуса с вода и го завийте обратно към рамата.
8.	След 15 минути отворете крана на резервоара 6.
9.	Отворете кранчето на суровата вода 5 за 5 минути.
10.	Затворете крана на резервоара и го оставете да кисне с хлорния разтвор в продължение на 1-2 часа.
11.	Отворете кран 6 и изхвърлете/дренирайте водата от резервоара в мивката. Разкачете го от третия предварителен филтър и възставете първоначалната тръбна връзка със системата.
12.	Поставете филтрите в корпусите и завийте корпусите към рамата. Отворете крана на резервоара 6 и на суровата вода 5.
13.	Дренирайте резервоара няколко пъти (докато не усещате миризма на хлор).

8. ОТСТРАНЯВАНЕ НА ПРОБЛЕМИ

ПРОБЛЕМ	ПРИЧИНА	РЕШЕНИЕ
Теч на свързващ елемент/ фитинг	Тръбата не е плътно свързана	Отстранете тръбата и я свържете отново.
Теч при дренажната скоба	Дренажната скоба не е монтирана правилно	Повторете монтажа на скобата, както е описано в раздел 4.2.
Теч на филтърен корпус	Уплътнението на корпуса (O-ринг) липсва или е разместено	Уверете се, че уплътнението е позиционирано правилно в леглото на филтърния корпус.
	Корпусът не е стегнат	Завийте корпуса плътно към рамата.
Водата тече прекалено бавно от кранчето за пречистена вода или потокът се забавя няколко секунди след като се отвори кранчето за пречистена вода.	Налягането на суровата вода е прекалено ниско.	Системите за обратна осмоза се нуждаят от минимум 3 бара налягане на суровата вода. Ако е необходимо, инсталирайте помпа (система с помпа) или се консултирайте с водопроводчик.
	Предварителните филтри са запушени	Сменете предварителните филтри
	Мембраната е запушена	Премерете дебита на мембраната като затворите крана на резервоара б и отворите кранчето за пречистена вода 3. използвайте кана с вместимост 1 литър, за да проверите дали времето за запълване е следното: - 8 минути за 50 gpd мембрана -5-6 минути за мембрана 75 gpd -4 минути за мембрана 100 gpd Ако отнема два пъти по-дълго или повече за протичането на 1 литър, то мембраната е за смяна (обърнете се към доставчика на оборудване)
	Тръбата е прищипана	Освободете тръбата.
	Налягането в резервоара е спаднало	Налягането в празен резервоар трябва да е 0,4-0,6 бара. Напомпайте налягането до тези стойности.
Системата е много шумна	Има въздух в автоматичния спирателен вентил	Въздухът ще излезе от системата в продължение на работа.
	Входящото налягане е прекалено високо	Проверете входящото налягане. При необходимост монтирайте редуцир вентил на входа на системата.

8. ОТСТРАНЯВАНЕ НА ПРОБЛЕМИ

Спирателният вентил щрака	Хидравлични удари	Инсталирайте ел. магнет вентил или се консултирайте с водопроводчик
Системата работи непрекъснато (не спира да изхвърля вода в сифона)	Налягането на водата е прекалено ниско	Системите за обратна осмоза се нуждаят от минимум 3 бара налягане на суровата вода. Ако е необходимо, инсталирайте помпа (система с помпа) или се консултирайте с водопроводчик.
	Предварителните филтри са запушени	Сменете филтрите
	Мембраната е запушена	Премеерете дебита на произведената вода като затворите крана на резервоара и отворите кранчето за произведена вода. Измереният дебит трябва да отговаря на номиналния дебит на мембраната.
	Липсващ или разместен ограничител на потока	Ограничителят трябва да е монтиран в черната тръба, която отвежда мръсната вода на канал и трябва да е от страната на мембранный корпус. Ако е в края, който влиза в сифона, разменете крайниците на тръбата като преди това прочистите ограничителя от механични замърсители. Ако липсва ограничител, монтирайте нов.
	Спирателният вентил не работи	В случай, че не установите друга причина за това, че системата не спира да работи, свържете се с доставчика на оборудване за подмяна на вентила.
	Развален спирателен вентил на изхода на мембранный корпус	Налягането в празен резервоар трябва да е 0,4-0,6 бара. Напомпайте балона до тези стойности.
Системата не се включва (не изхвърля вода на канал)	Резервоарът е пълен	Отворете кранчето за преработена вода и източете малко вода. Нормално е системата да е в покой, когато резервоарът е пълен.
	Ограничителят на потока е запушен	Изчистете или подменете ограничителя на потока
	Дренажният фитинг не е позициониран на дупката в скобата	Поправете позицията на дренажната скоба

8. ОТСТРАНЯВАНЕ НА ПРОБЛЕМИ

Пречистената вода изглежда млечно бяла или мътна за няколко минути, след което се избистря	Въздух в системата	Наличието на въздух в системата е нормално явление в продължение на няколко дни след монтаж. В някои случаи въздушни мехурчета могат да се появят и от температурната разлика на много по-студената входяща вода спрямо температурата на околната среда в жилището.
Водата има вкус и/или мирис	Полирацията филтър с активен въглен е изхабен	Сменете полирацията филтър
	Консервационният разтвор на новата мембрана не се е отмил	Извърлете водата от резервоара в мивката чрез кранчето на пречистената вода и оставете системата да напълни резервоара отново.
	Замърсяване на системата	Санитизирайте системата следвайки стъпките в раздел 7.
	Замърсяване в резервоара	Сменете резервоара с нов или следвайте стъпките от раздел 7.1
От кранчето за пречистена вода не потича вода, независимо, че резервоарът е пълен	Резервоарът е с ниско налягане	Налягането в празен резервоар трябва да е 0,4-0,6 бара. Проверете налягането.
	Кранът на резервоара е затворен	Отворете крана

9. ДНЕВНИК НА СИСТЕМАТА

Производителят горещо съветва да водите този дневник. Записите от него ще са полезни за последваща поддръжка и евентуални ремонти. Тази информация може да бъде изисквана от производителя при рекламации или претенции за гаранции.

ВЪВЕЖДАНЕ В ЕКСПЛОАТАЦИЯ

Въвеждане в експлоатация ДД/ММ/ГГ	Входящо налягане	Извършена санитизация, ДА / НЕ	ВРЕМЕ ЗА ЗАПЪЛВАНЕ НА РЕЗЕРВОАРА. ЧЧ:ММ	Производителност	Препоръки	Допълнителна информация за инсталирано оборудване: име, дата на монтаж (например: регулатор, на налягането, филтри, и т.н.)	Доставчик на оборудването	Монтажник	Дата на монтаж и контакт на доставчика (име, телефон, e-mail)

СИСТЕМАТА БЕШЕ МОНТИРАНА, ТЕСТВАНА И ДОКАЗАНО НАПЪЛНО ФУНКЦИОНАЛНА. НИМА ЗАБЕЛЕЖКИ ПО ИНСТАЛАЦИЯТА И КАЧЕСТВОТО НА ПРОДУКТА.

Клиент: _____ Подпис/Име _____
Монтажник/Доставчик: _____ Подпис/Име _____

9. ДНЕВНИК НА СИСТЕМАТА

ДНЕВНИК НА ПРОФИЛАКТИЧНА ПОДДРЪЖКА

Извършена работа				
Блокени консумативи: подгукт, дата на производство, сериен номер (например: филтри, мембрана, и т.н.)				
Извършена санитизация, ДА / НЕ				
Време за запълване на резервоара, Ч:ММ				
Производителност				
Препоръки				
Дата на поддръжка, ДД/ММ/ГГ				
Сервизна компания				
Монтажник				
Контакти на сервизната компания				
Подпис				

10. БЕЗОПАСНОСТ ЗА ЗДРАВЕТО И ОКОЛНАТА СРЕДА

Продуктът няма химическо, радиологично или електрохимично въздействие върху околната среда. Продуктът не се счита за опасен по своето въздействие върху човешкия организъм и отговаря на изискванията на съответното санитарно законодателство за предназначения обхват на ползване.

11. ЗАКУПУВАНЕ

Желателно е продуктът да се закупува от отризирани търговски представители. При първоначална покупка проверете целостта на опаковката, липса на механични и други дефекти, наличието на всички необходими компоненти (без да се отварят найлоновите торби с компоненти в общата кутия), наличие на документация за потребителя, в частност това ръководство за монтаж и експлоатация, както и гаранционна карта.

12. ТРАНСПОРТ И СЪХРАНЕНИЕ

Доставка на продукта може да се осъществи посредством всякакви средства за транспорт (с изключение на неотопляеми през студените сезони) в съответствие с правилата за транспортиране на стоки, приложими за всеки вид транспорт. Спазвайте указателните етикети при боравене и транспортиране на продукта. Продуктът трябва да се съхранява в закрити помещения, защитен от механични повреди, въздействието на влагата и агресивни химикали. Съхранявайте продукта в оригиналната опаковка на производителя при температури на околната среда в интервала от 5 °C до 40 °C и относителна влажност до 80%, най-малко на 1 м отстояние от отоплителна техника.

13. ГАРАНЦИИ

Благодарим, че закупихте обратна осмоза на Ecosoft Company.

Надяваме се, че този продукт ще Ви служи дълго време и нека Вие и Вашето семейство се наслаждавате на висококачествена чиста питейна вода. Производителят гарантира, че системата за пречистване на вода не съдържа производствени дефекти и такива дефекти няма да възникнат в рамките на гаранционния срок, считан от датата на закупуване от магазин при условие, че техническите изисквания и условията, посочени в това ръководство са стриктно спазени.

За да се избегнат недоразумения, ние Ви призоваваме да прочетете внимателно инструкциите за инсталиране и експлоатация на системата за обратна осмоза, гаранционните условия и отговорности, проверяват правилността на гаранционна карта, наличие на доказателство за покупката (насова бележка, фактура). Гаранционната карта е валидна само ако модела, датата на покупката, и печатът на доставчика са правилно упоменати. За правилната инсталация на системата, моля прочетете инструкцията как да инсталирате и използвате системата или се обърнете към квалифициран персонал.

Производителят не носи отговорност за щети на имущество или някаква друга повреда, включително пропуснати

печалби, които са възникнали случайно или поради неправилната употреба на този продукт. Отговорността на производителя

в съответствие с тази гаранция е ограничена до себестойността на системата за обратна осмоза.

SADRŽAJ

1	Namena sistema	248
2	Karakteristike i opcije	250
2.1	Uslovne oznake i šifre modela	250
2.2	Tehničke karakteristike	251
2.3	Zahtevi za napojnu vodu sistema povratne osmoze	251
2.4	Opcije sistema povratne osmoze	252
3	Šeme priključka	254
3.1	Šema priključka sistema osnovne opcije	254
3.2	Šema priključka sistema sa mineralizerom	255
3.3	Šema priključka sistema sa UV lampom	256
3.4	Šema priključka sistema sa pumpom	257
3.5	Šema priključka sistema sa mineralizerom i pumpom	258
3.6A	Šema priključka sistema sa mineralizerom i UV lampom sa jednokrakom slavinom za prečišćenu vodu	259
3.6B	Šema priključka sistema sa mineralizerom i UV lampom sa dvokrakom slavinom za prečišćenu vodu	260
3.7	Šema priključka sistema sa UV lampom i pumpom	261
3.8A	Šema priključka sistema sa mineralizerom, UV lampom i pumpom sa jednokrakom slavinom za prečišćenu vodu	262
3.8B	Šema priključka sistema sa mineralizerom, UV lampom i pumpom sa dvokrakom slavinom za prečišćenu vodu	263
4	Redosled ugradnje sistema povratne osmoze	264
4.1	Proveravanje izlaznih parametra	264
4.2	Ugradnja	264
5	Postupak posle ugradnje	268
6	Pravila upotrebe	268
6.1	Namena čvorova i njihova zamena	269
6.2	Redosled zamene kertridža prethodnog prečišćavanja	269
6.3	Redosled zamene membrane	271
6.4	Redosled zamene ugljenog kertridža i / ili mineralizera	272
6.5	Redosled zamene UV lampe	272
7	Dezinfekcija sistema povratne osmoze	274
7.1	Dezinfekcija akumulacionog rezervoara	276
8	Mogući kvarovi i načini njihovog otklanjanja	278
9	Zapisnik tehničkog održavanja	281
10	Bezbednost zdravlja i životne sredine	283
11	Pravila kupovine	283
12	Transport i skladištenje	283
13	Garancija	283

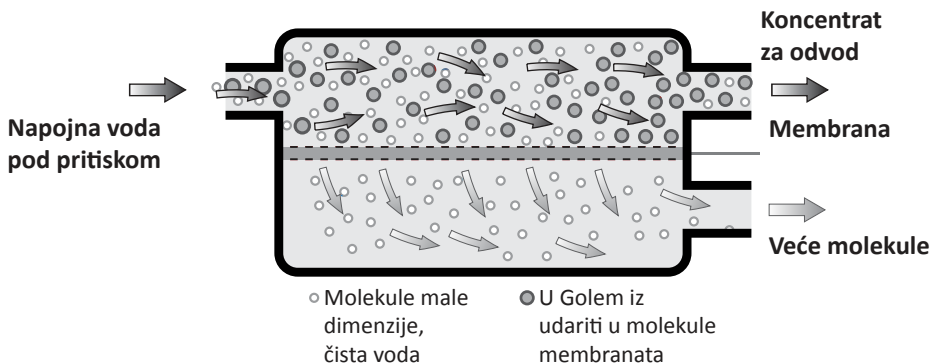
1. NAMENA SISTEMA

Povratna osmoza (reverzna osmoza) danas predstavlja najnapredniju tehnologiju prečišćavanja vode. Zahvaljujući polupropusnoj membrani, koja po svojim karakteristikama liči na prirodnu membranu živih ćelija, pojavila se mogućnost za efikasno prečišćavanje pitke vode faktički od svih štetnih primesa, uključujući nitrata i viruse (Crtež. 1). Pore takve membrane su 200 puta manje od virusa i 4000 puta manje od bakterija. Filteri povratne osmoze rade na principu metabolizma u živom organizmu na ćelijskom nivou. Kroz ćelijsku membranu mogu da prođu samo molekuli određene veličine. Rasprostranjeno mišljenje nekih korisnika filtera povratne osmoze da je takva voda lišena svih za čovekov organizam korisnih mikroelemenata, nije potpuno opravdana, ukoliko znamo da 96 % minerala, koji su neophodni ljudima, čovek dobija iz hrane, a ne iz vode.

Sistem povratne osmoze je petostepeni uređaj za filtriranje, koji radi u skladu sa dalje navedenom šemom. Filter se priključuje na vodovod dovoda hladne (napojne) vode uz pomoć cevnog naglavka **4** i slavine napojne vode **5**. Crvena cevčica spaja slavinu za dovod vode sa krajnje desnim balonom modula za filtriranje.

Prvo napojna voda prolazi kroz kertridže prethodnog prečišćavanja (pred filteri) **9**. Kertridži su namenjeni za uklanjanje mehaničkih primesa, naprimer - rđa, pesak, mulj, idr., za uklanjanje iz vode rezidualnog hlora, organskih i organohloridnih jedinjenja.

Posle prethodnog prečišćavanja voda dolazi na četvrti (i najvažniji) stupanj prečišćavanja – na membranu za povratnu osmozu **11** koja je smeštena u specijalno kućište. Kućište membrane ima ulaz, koji se preko zapornog ventila (automatski regulator) priključuje na treći (krajnje levi) balon modula za filtriranje i dva izlaza: jedan za prečišćenu vodu (permeat), a drugi za otpadnu vodu (koncentrat). Membrana pročišćava vodu na molekularnom nivou, propuštajući kroz svoje pore samo molekule vode i rastvorenog kiseonika.



Crtež 1

1. NAMENA SISTEMA

Posle membrane protok vode se razdvaja na dva dela – koncentrat, koji se odvodi u kanalizaciju, i permeat, koji ide u akumulacioni rezervoar **2** radi čuvanja. Rezervoar se spaja sa izlazom membrane uz pomoć automatskog regulatora i povratnog ventila ugrađenog u prelaznu spojnicu koju treba priključiti na izlaz kućišta. Posle automatskog regulatora ugrađuje se trojnik, preko kojeg se rezervoar priključuje na modul za filtriranje uz pomoć žute cevčice. Na gornjem priključku rezervoara instalirana je kuglasta slavina rezervoara **6**.

U sastavu sistema rezervoar ima funkciju akumulacije vode, ukoliko membrana kućne povratne osmoze u režimu direktnog protoka vode ne može obezbediti dovoljni kapacitet za korisnike. Na primer, ako je u filter ugrađena membrana kapaciteta koji iznosi 50 GPD (7,9 l/sat), onda će se čaša od 200 ml puniti više nego 1,5 min. Zbog toga sistem akumulira prečišćenu vodu u rezervoaru, koju potrošač može koristiti kada mu je potrebno, a kada se voda potroši ponovo se akumulira rezerva vode. Obim rezervoara zavisi od kompleta sistema. Vreme punjenja rezervoara je u granicama od 1,5 do 3 sata. Kada se rezervoar napuni sa vodom, automatski regulator prekida dovod vode preko kertridža pred filtera na membranu i sistem se isključuje. Posle otvaranja slavine za prečišćenu vodu **3** pritisak vode u akumulacionom rezervoaru opada i automatski regulator otvara dovod napojne vode kroz kertridže pred filtera na membranu za obnavljanje rezerve vode u rezervoaru. Otpadna voda (koncentrat) odvodi se u kanalizaciju kroz izlaz kućišta membrane, koji je spojen cevčicom crne boje sa drenažnom obujmicom **8**, koja se instalira na kanalizacionu cev. Za stvaranje povratnog pritiska, koji je neophodan za održavanje radnog pritiska unutar membrane, u drenažnu liniju instalira se regulator protoka **14** – plastična čaura sa kalibrisanim leptirastim otvorom. Regulator protoka vode instalira se na cevčicu crne boje sa strane priključka na kućištu membrane.

Iz akumulacionog rezervoara prečišćena voda kroz trojnik dolazi na peti stepen prečišćavanja – na ugljeni post filter, koji je namenjen za finalno prečišćavanje vode. U filteru se nalazi aktivni ugalj kokosove ljuske visokog kvaliteta. Ovaj ugalj namenjen je za korekciju ukusa i mirisa prečišćene vode, daje vodi izuzetan, slatki ukus. Ugljeni post filter priključuje se uz pomoć cevčice plave boje na slavinu za prečišćenu vodu **3**, koja se instalira neposredno na lavabo/sudoperu ili kuhinjski element.

2. KARAKTERISTIKE I OPCIJE

2.1. USLOVNE OZNAKE I ŠIFRE MODELA

Modeli

MO 5-36(50,75,100)
MO 5-36(50,75,100)P
MO 6-36(50,75,100)M
MO 6-36(50,75,100)MP
MO 6-36(50,75,100)UV
MO 6-36(50,75,100)UVP
MO 7-36(50,75,100)MUV
MO 7-36(50,75,100)MUV P

Model Vašeg sistema

MO	*	_	***	****	*****
1	2	3	4	5	

1 - Vrsta filtera. MO – povratna osmoza.

2 - Broj stupnjeva čišćenja.

3 - Kapacitet membrane za povratnu osmozu u GPD (galona / dan)*:

36GPD	136 litara / dan	5,6 litara/ sat
50GPD	190 litara / dan	7,9 litara/ sat
75GPD	280 litara / dan	11,6 litara/ sat
100GPD	380 litara / dan	15,8 litara/ sat

*Kapacitet sistema povratne osmoze generalno ima varijabilan karakter i zavisi od čitavog niza činjenica, naime: kvaliteta napojne vode, stanja (istrošenosti, začepljenja) kertridža prethodnog prečišćavanja, elementa membrane; pritiska vode na izlazu; temperature dovodne vode.

4 - Uslovne oznake dopunskih opcija:

M	sistem dopunski opremljen sa mineralizerom
P**	sistem dopunski opremljen sa pumpom za povećanje pritiska
UV	sistem dopunski opremljen sa UV lampom

5 - Trgovačka marka

Na primer: šifra MO775MUVPEcosoft znači da je u komplet sistema povratne osmoze sa 7 stupnjeva prečišćavanja instalirana membrana kapaciteta 75 galona na dan (11,6 l/sat), iz dopunskih opcija uključeni su — mineralizer, UV lampa i pumpa za povećanje pritiska. Trgovačka marka Ecosoft.

**Modeli za oznakom "P" opremljeni su sa pumpom za povećanje pritiska i namenjeni su za priključak na monofaznu električnu mrežu naizmenične struje sa naponom 230 V/50 Hz.

Sistem ima kabl za napajanje sa utikačem i može se uključivati u instaliranu na nadležni način ispravno uzemljenu priključnicu, koja odgovara standardima.

PRE IZVRŠAVANJA BILO KOJIH RADOVA SISTEM NEOPHODNO ISKLJUČITI IZ IZVORA NAPAJANJA.

PAŽNJA!

Ugradnju i puštanje sistema u rad treba da izvodi stručnjak koji ima odgovarajuće kvalifikacije i potrebno iskustvo.

Sistem je namenjen za prečišćavanje hladne vode.

2. KARAKTERISTIKE I OPCIJE

2.2 TEHNIČKE KARAKTERISTIKE

	Naziv parametra	Vrednost
1	Pritisak na ulazu za sistem bez pumpe, atm.	3-6*
2	Pritisak na ulazu za sistem sa pumpom, atm.	2-4,5*
3	Pritisak u membranskom rezervoaru, atm.	0,4-0,6**
4	Temperatura napojne vode, °C	+4... +30***
5	Težina sistema, kg (osnovna opcija)	6
6	Dozvoljena temperatura životne sredine °C	+5...+40***
7	Spoljni priključak na vodovod, inča	Navojni, 1/2
8	Dimenzije sistema, V x Š x D (osnovna opcija), mm	350x450x150
9	Dimenzije rezervoara, V x Š x D, mm	350x260x260

* U slučaju ako je pritisak u sistemu vodosnabdevanja niži od navedene vrednosti, potrebno je izabrati sistem sa pumpom ili instalirati dopunsku pumpu. U slučaju ako je pritisak u sistemu vodosnabdevanja viši od navedene vrednosti, potrebno je instalirati regulator pritiska na ulazu ispred sistema povratne osmoze.

** U slučaju ako je pritisak niži ili viši od navedenog, potrebno je povećati ili sniziti pritisak.

*** U slučaju ako je temperatura napojne vode u dijapazonu od +20... do +30°C, neznatno se smanjuje selektivnost membrane i povećava se kapacitet, posledicom čega je neznatno povećanje vrednosti TDS.

Nije preporučljivo koristiti sistem u slučajevima kada je temperatura napojne vode veća od +30°C.

2.3. ZAHTEVI ZA NAPOJNU VODU SISTEMA POVRATNE OSMOZE *

	Naziv pokazatelja	VREDNOST**
1	pH	6,5-8,5
2	Mineralizacija, mg/l	<1500
3	Tvrdoća, mg-ekv/l	<10,0
4	Slobodni hlor, mg/l	<0,5
5	Železo, mg/l	<0,3
6	Mangan, mg/l	<0,1
7	Permanganatna oksidacija, mg O ₂ /l	<5
8	Ukupni broj bakterija, jed/mg	<50
9	Coli-index	<3

* U slučaju ako pokazatelji napojne vode za sistem povratne osmoze ne odgovaraju navedenim zahtevima, rok upotrebe membrane i kertridža može se smanjiti.

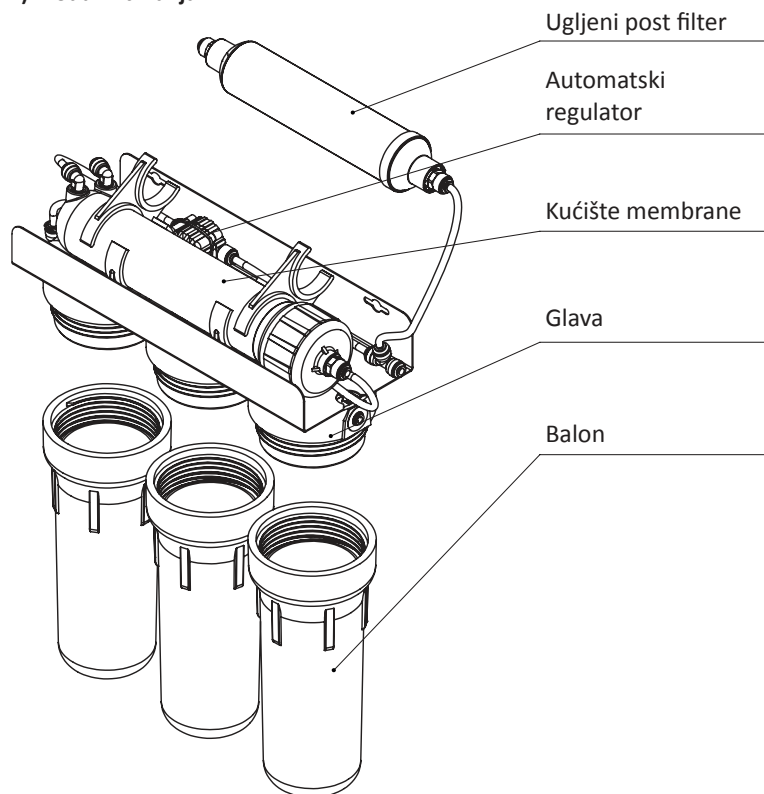
** Pri ugradnji sistema povratne osmoze za vodu iz bušotina ili bunara preporučljivo je prethodno izvršiti hemijsku analizu vode. U slučaju ako su neki od pokazatelja veći od vrednosti koji su navedeni u tabeli, poželjno je instalirati dopunske filtere ispred sistema povratne osmoze. Odnosno, oko pitanja izbora filtera treba konsultovati stručnjaka kompanije koja se profesionalno bavi prečišćavanjem vode.

2. KARAKTERISTIKE I OPCIJE

2.4. OPCIJE SISTEMA POVRATNE OSMOZE

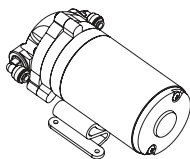
Proizvođač zadržava pravo na izmene u proizvodima (konstrukcija / opcije), ukoliko takva promena ne podrazumeva pogoršanje potrošačkih svojstava proizvoda.

1) Modul filtriranja

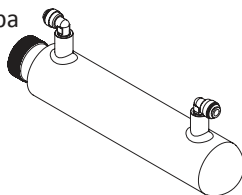


Opcije:

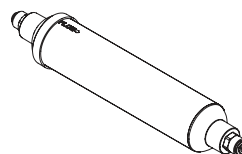
Pumpa



UV lampa



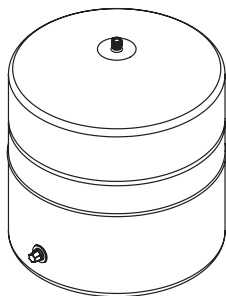
Mineralizer
(i /ili drugi post filter)



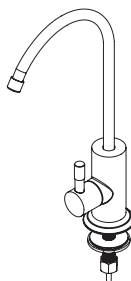
2. KARAKTERISTIKE I OPCIJE

2.4. OPCIJE SISTEMA POVRATNE OSMOZE

2) Akumulacioni rezervoar



3) Slavina za prečišćenu vodu



4) Ulazni cevni naglavak



5) Slavina za dovod vode (napojna voda)



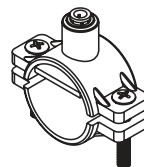
6) Kuglasta slavina rezervoara



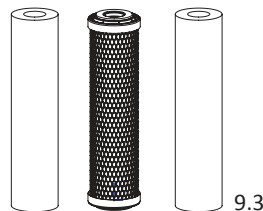
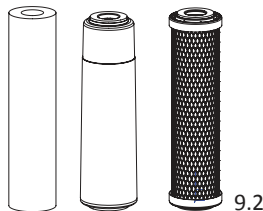
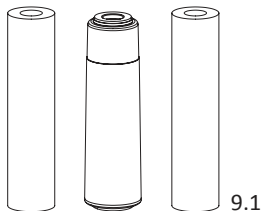
7) Komplet cevi u boji (4 komada)



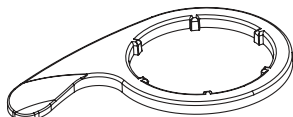
8) Drenažna objemica



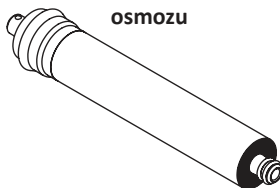
9) Komplet kertridža prethodnog prečišćavanja (zavisi od modela sistema)



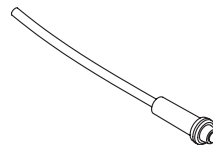
10) Ključ za kućišta pred filtera



11) Membrana za povratnu osmozu



12) Regulator protoka (umetnut u cevčicu crne boje)



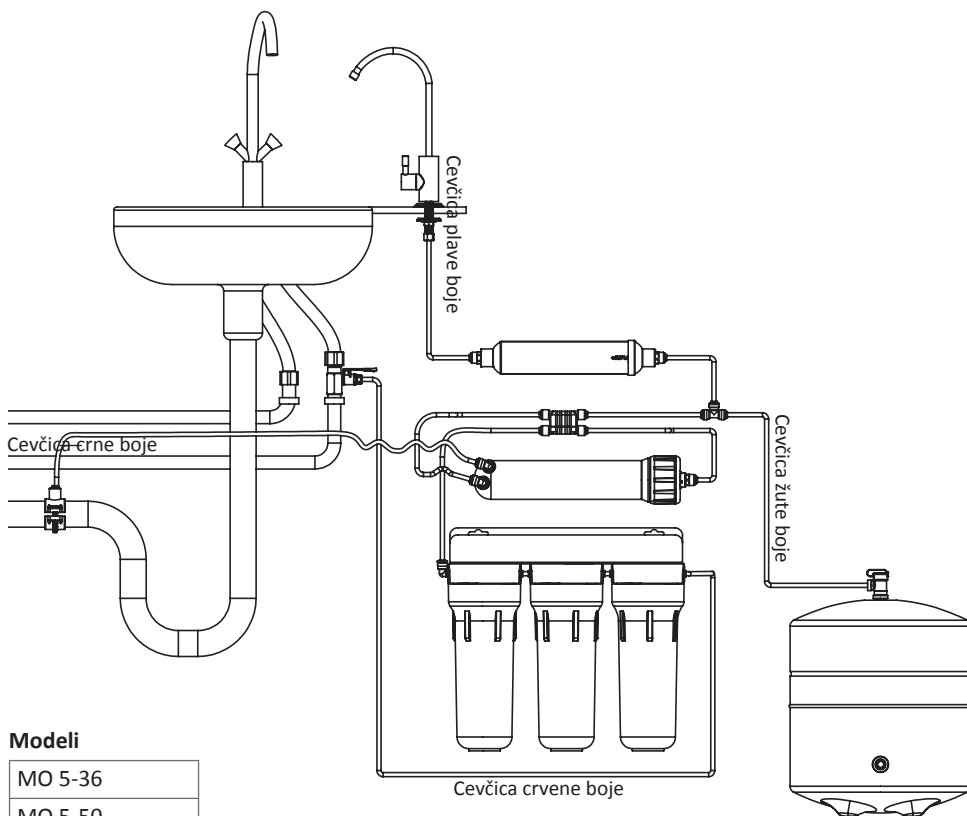
13) **Bezbednosna stezaljka** – to je pribor koji se montira u modul za filtriranje i koristi se za zaštitu od eventualnog odvajanja cevi u lako pristupačnim mestima. Bezbednosna stezaljka ne utiče na hermetičnost spoja. Broj stezaljka u proizvodu može da se menja u zavisnosti od konstrukcije sistema povratne osmoze i ne utiče na radnu sposobnost sistema.



RS

3. ŠEME PRIKLJUČKA

3.1. ŠEMA PRIKLJUČKA SISTEMA OSNOVNE OPCIJE



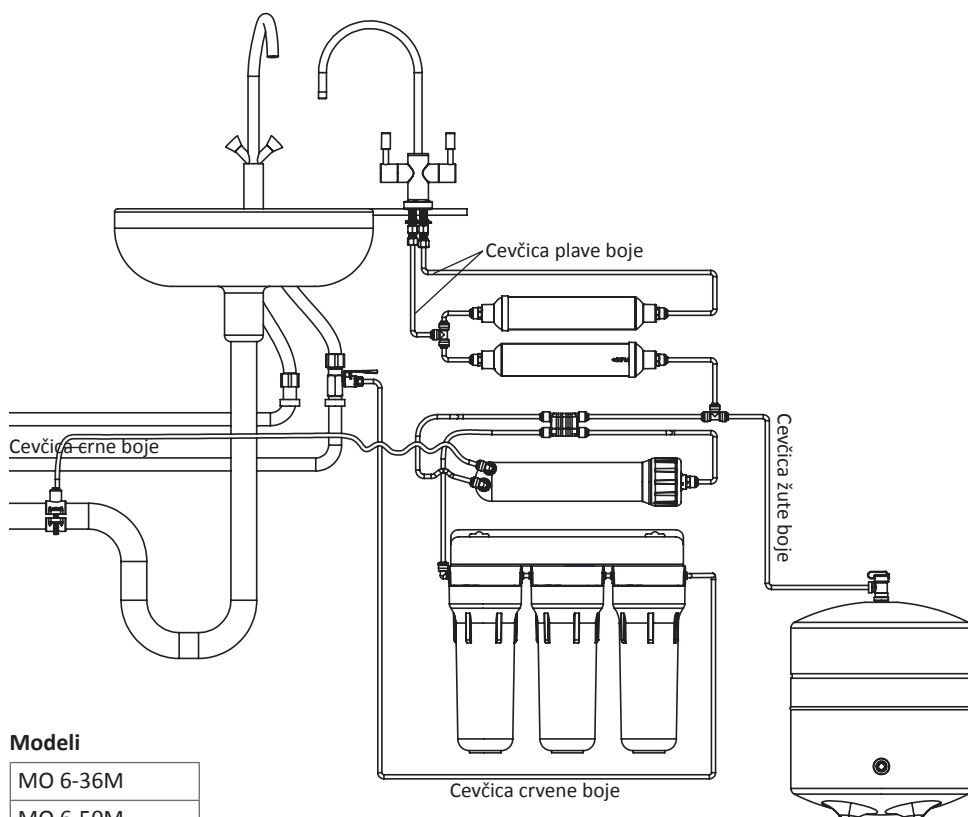
Modeli

MO 5-36
MO 5-50
MO 5-75
MO 5-100

Proizvođač zadržava pravo na izmene u proizvodima (konstrukcija / opcije), ukoliko takva promena ne podrazumeva pogoršanje potrošačkih svojstava proizvoda.

3. ŠEMA PRIKLJUČKA

3.2. ŠEMA PRIKLJUČKA SISTEMA SA MINERALIZEROM



Modeli

MO 6-36M

MO 6-50M

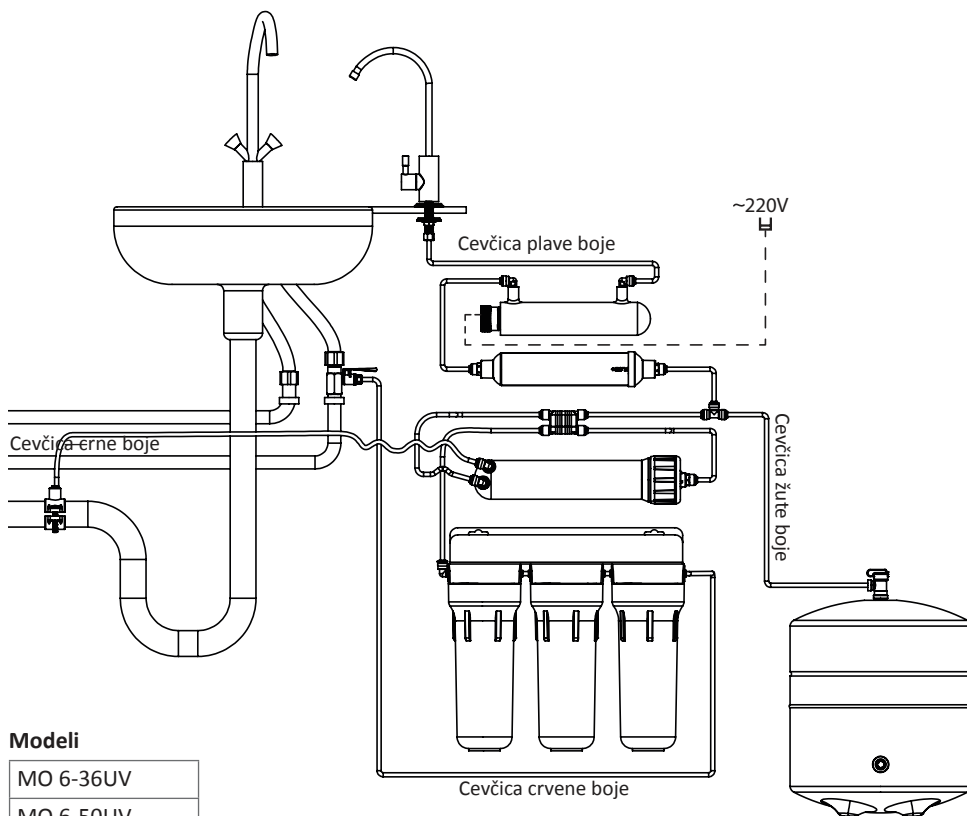
MO 6-75M

MO 6-100M

Proizvođač zadržava pravo na izmene u proizvodima (konstrukcija / opcije), ukoliko takva promena ne podrazumeva pogoršanje potrošačkih svojstava proizvoda

3. ŠEME PRIKLJUČKA

3.3. ŠEMA PRIKLJUČKA SISTEMA SA UV LAMPOM



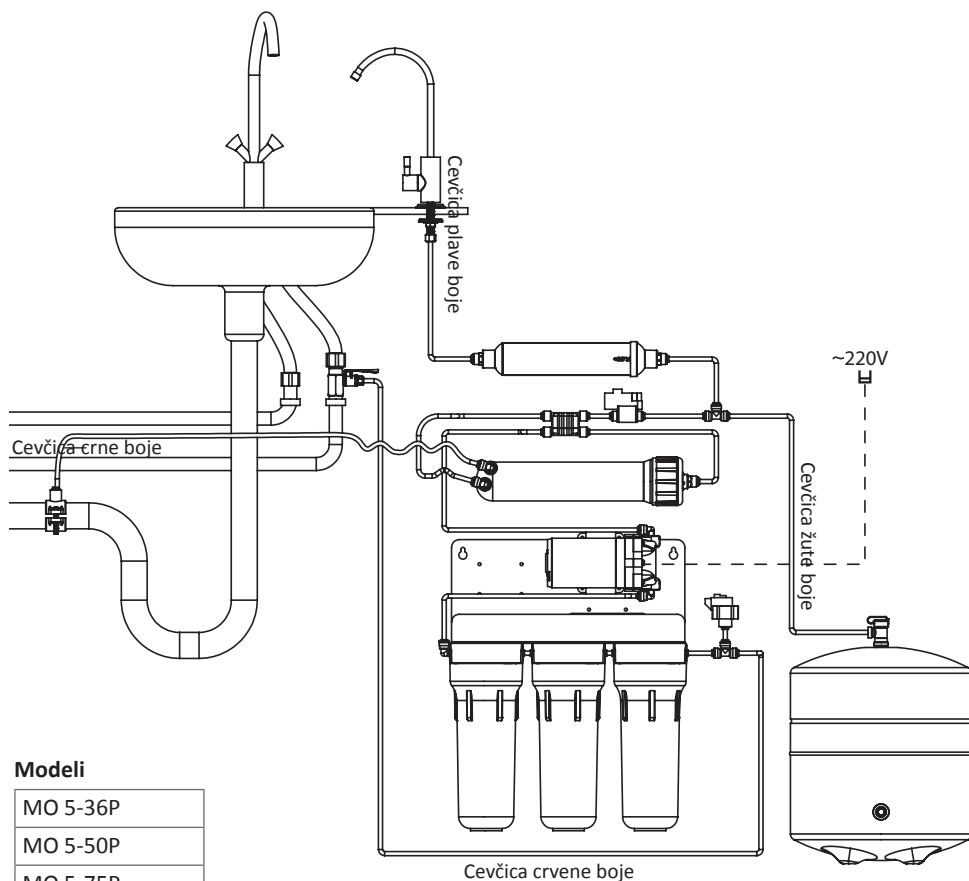
Modeli

MO 6-36UV
MO 6-50UV
MO 6-75UV
MO 6-100UV

Proizvođač zadržava pravo na izmene u proizvodima (konstrukcija / opcije), ukoliko takva promena ne podrazumeva pogoršanje potrošačkih svojstava proizvoda.

3. ŠEME PRIKLJUČKA

3.4. ŠEMA PRIKLJUČKA SISTEMA SA PUMPOM



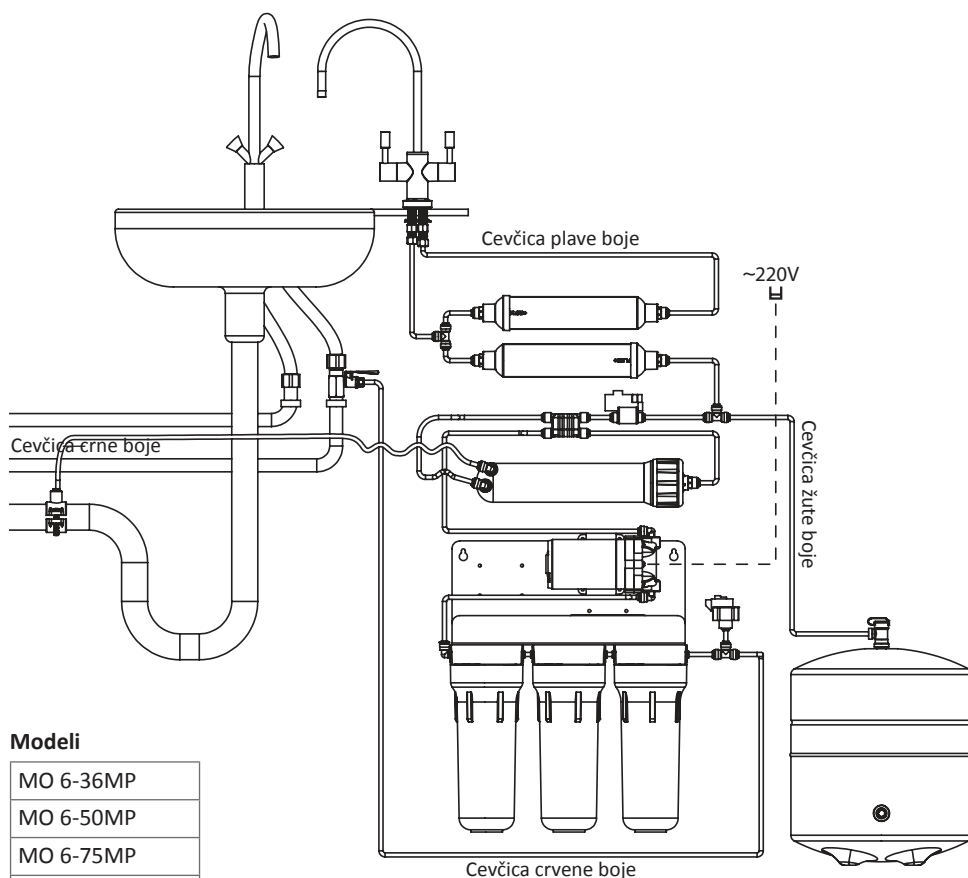
Modeli

MO 5-36P
MO 5-50P
MO 5-75P
MO 5-100P

Proizvođač zadržava pravo na izmene u proizvodima (konstrukcija / opcije), ukoliko takva promena ne podrazumeva pogoršanje potrošačkih svojstava proizvoda.

3. ŠEMA PRIKLJUČKA

3.5. ŠEMA PRIKLJUČKA SISTEMA SA MINERALIZEROM I PUMPOM



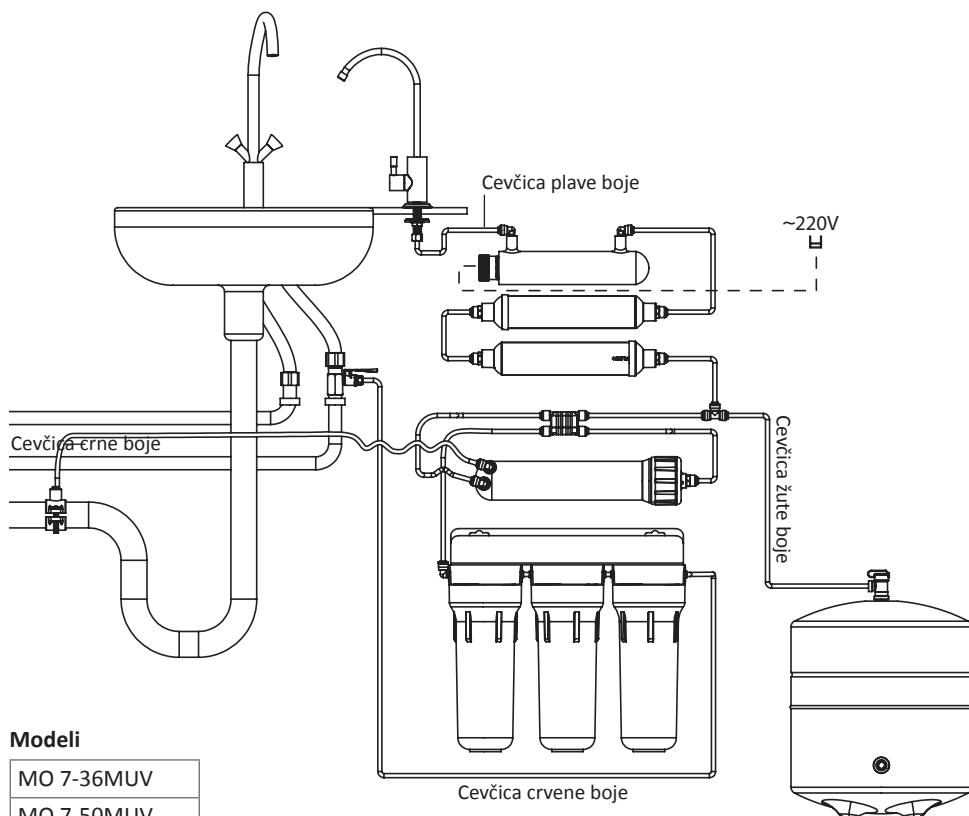
Modeli

MO 6-36MP
MO 6-50MP
MO 6-75MP
MO 6-100MP

Proizvođač zadržava pravo na izmene u proizvodima (konstrukcija / opcije), ukoliko takva promena ne podrazumeva pogoršanje potrošačkih svojstava proizvoda.

3. ŠEME PRIKLJUČKA

3.6A. ŠEMA PRIKLJUČKA SISTEMA SA MINERALIZEROM I UV LAMPOM SA JEDNOKRAKOM SLAVINOM ZA PREČIŠĆENU VODU



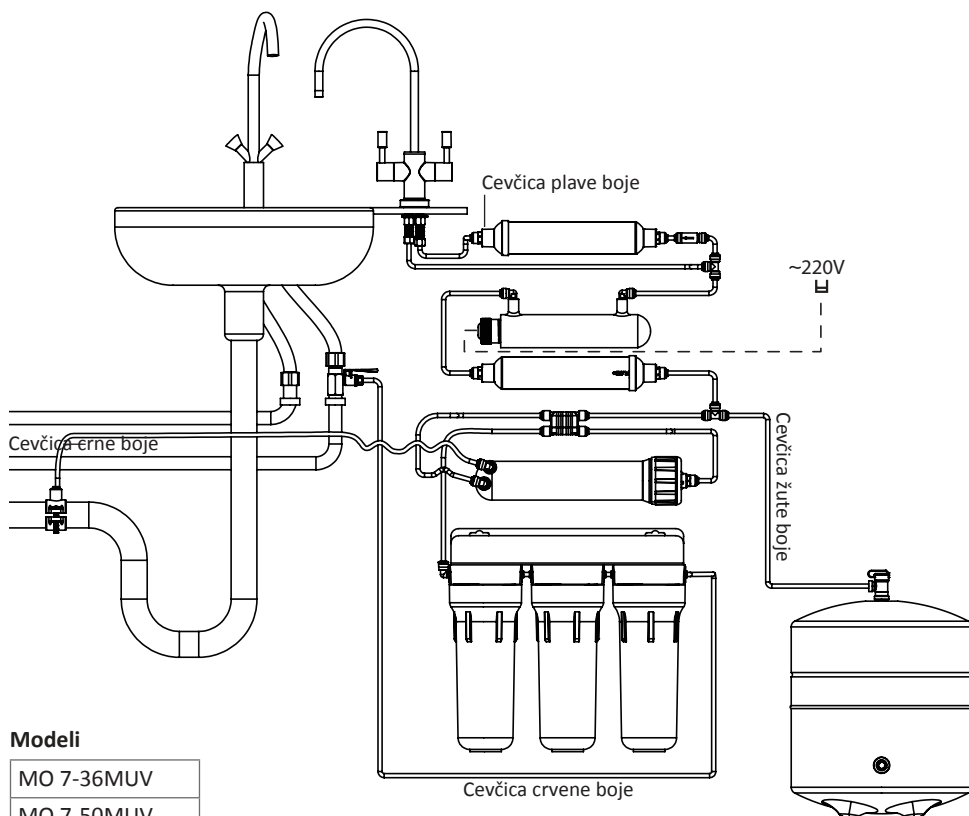
Modeli

MO 7-36MUV
MO 7-50MUV
MO 7-75MUV
MO 7-100MUV

Proizvođač zadržava pravo na izmene u proizvodima (konstrukcija / opcije), ukoliko takva promena ne podrazumeva pogoršanje potrošačkih svojstava proizvoda.

3. ŠEME PRIKLJUČKA

3.6B. ŠEMA PRIKLJUČKA SISTEMA SA MINERALIZEROM I UV LAMPOM SA DVOKRAKOM SLAVINOM ZA PREČIŠĆENU VODU



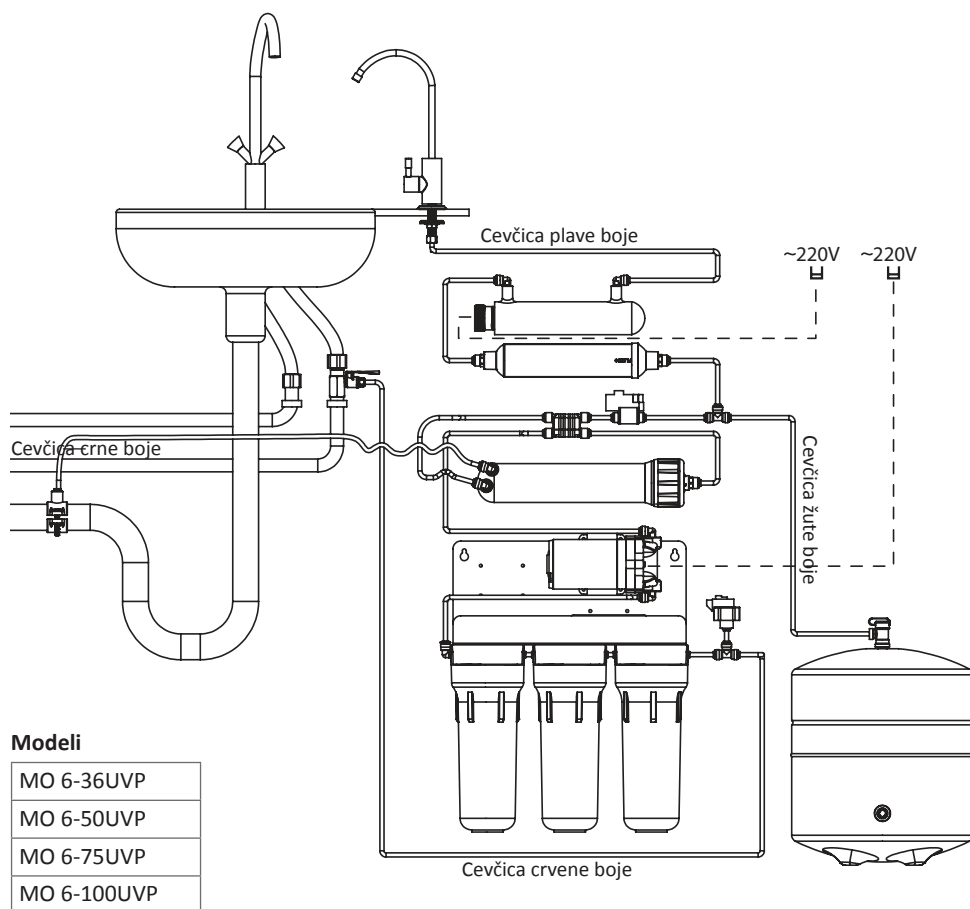
Modeli

MO 7-36MUV
MO 7-50MUV
MO 7-75MUV
MO 7-100MUV

Proizvođač zadržava pravo na izmene u proizvodima (konstrukcija / opcije), ukoliko takva promena ne podrazumeva pogoršanje potrošačkih svojstava proizvoda.

3. ŠEME PRIKLJUČKA

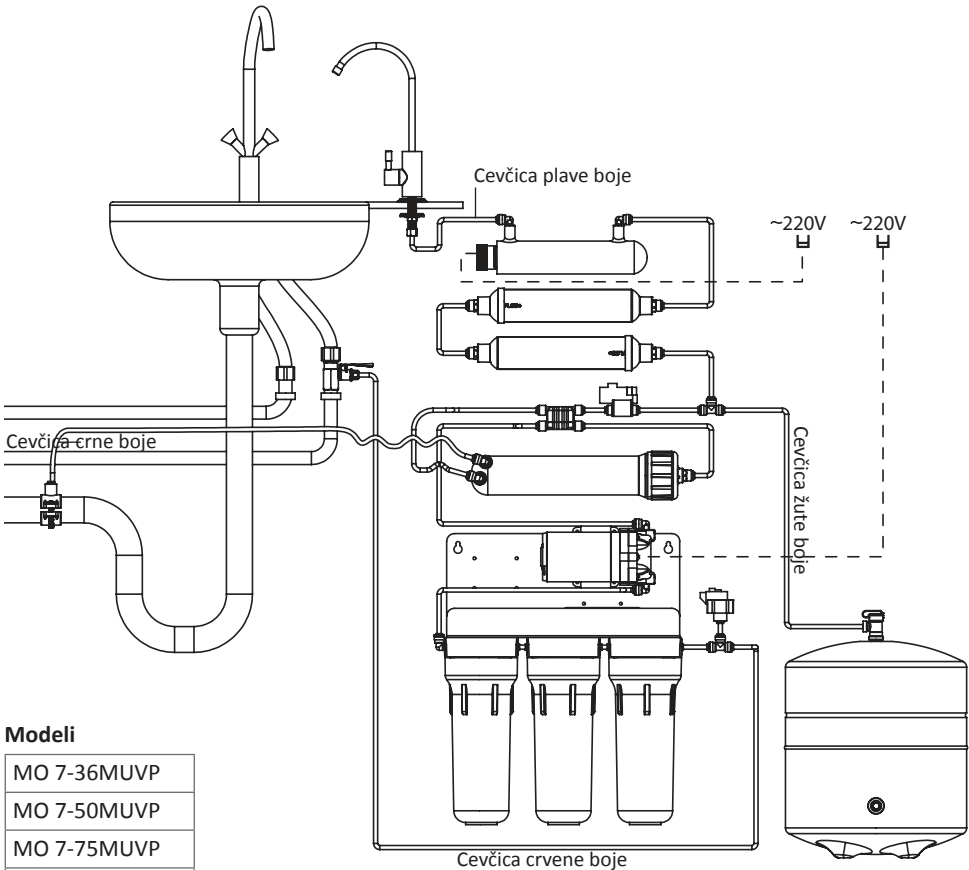
3.7. ŠEMA PRIKLJUČKA SISTEMA SA UV LAMPOM I PUMPOM



Proizvođač zadržava pravo na izmene u proizvodima (konstrukcija / opcije), ukoliko takva promena ne podrazumeva pogoršanje potrošačkih svojstava proizvoda.

3. ŠEME PRIKLJUČKA

3.8A. ŠEMA PRIKLJUČKA SISTEMA SA MINERALIZEROM, UV LAMPOM I PUM-POM SA JEDNOKRAKOM SLAVINOM ZA PREČIŠĆENU VODU



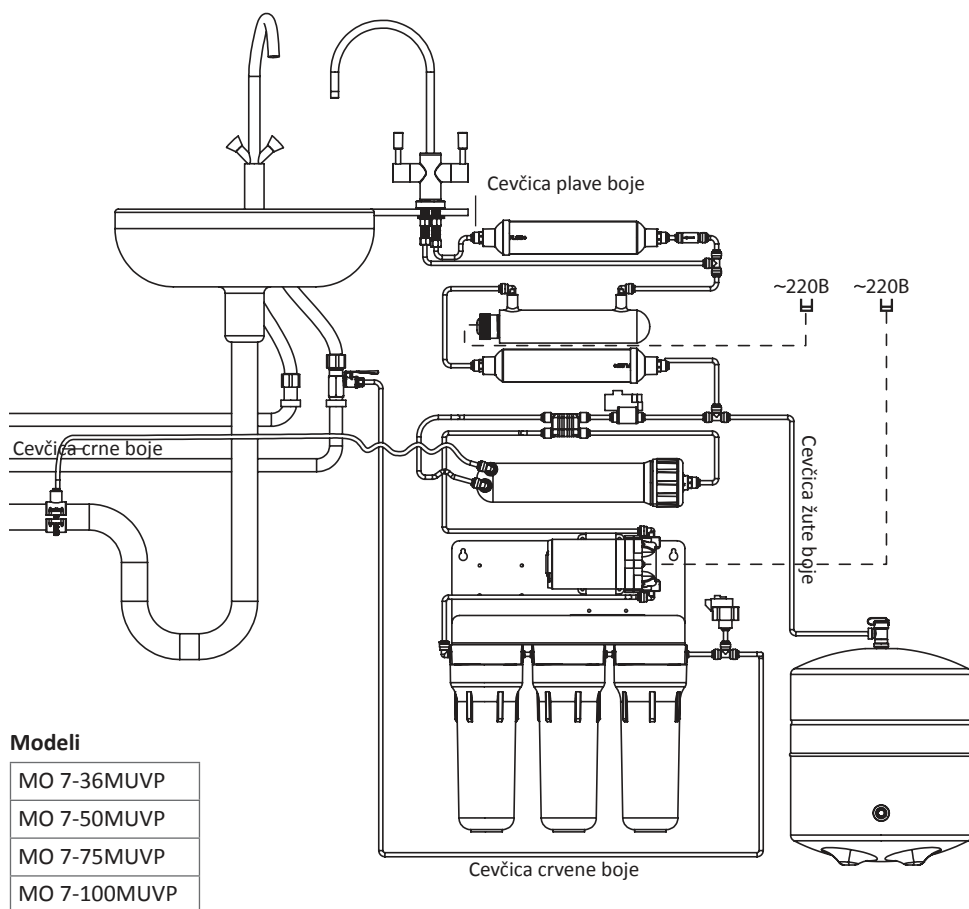
Modeli

MO 7-36MUVP
MO 7-50MUVP
MO 7-75MUVP
MO 7-100MUVP

Proizvođač zadržava pravo na izmene u proizvodima (konstrukcija / opcije), ukoliko takva promena ne podrazumeva pogoršanje potrošačkih svojstava proizvoda.

3. ŠEME PRIKLJUČKA

3.8B. ŠEMA PRIKLJUČKA SISTEMA SA MINERALIZEROM, UV LAMPOM I PUM-POM SA DVOKRAKOM SLAVINOM ZA PREČIŠĆENU VODU



Proizvođač zadržava pravo na izmene u proizvodima (konstrukcija / opcije), ukoliko takva promena ne podrazumeva pogoršanje potrošačkih svojstava proizvoda.

4. REDOSLED UGRADNJE SISTEMA POVRATNE OSMOZE

PAŽLJIVO PROČITAJTE OVO UPUTSTVO ZA UPOTREBU PRE UGRADNJE SISTEMA POVRATNE OSMOZE

4.1. PROVERAVANJE ULAZNIH PARAMETRA

1) Proverite sve elementa sistema i njihovu usklađenost. Nemojte otvarati prozirno pakovanje, u kojem su delovi, dok ih pažljivo ne proverite. Proizvođač ne prihvata reklamacije, u slučaju ako je pakovanje otvoreno.

2) Neophodno proveriti sledeće parametre na usklađenost:

Pritisak na ulazu *	Pritisak u membranom rezervoaru*	Temperatura napojne vode *
Proverite pritisak na ulazu ispred sistema povratne osmoze. Pritisak ispred sistema mora odgovarati navedenom u t. 2.2.	Proverite pritisak u membranom rezervoaru. Pritisak u membranom rezervoaru mora odgovarati navedenom u t. 2.2.	Potrebno je proveriti temperaturu napojne vode. Temperatura napojne vode mora odgovarati navedenoj u t. 2.2.
* U slučaju ako parametri napojne vode ne odgovaraju zahtevima potrebno je preduzeti mere, navedene u tački 2.2.		

- sa tehničkim karakteristikama (tačka 2.2.);

- sa kvalitetom napojne vode** za sistem povratne osmoze tačka 2.3.

** U slučaju ako pokazatelji napojne vode za sistem povratne osmoze ne odgovaraju navedenim zahtevima, potrebno je obratiti se kompaniji koja se bavi pripremom vode.

3) Pre početka ugradnje sistema potrebno je pripremiti mesto ispod lavaboa/sudopere. Morate se pobrinuti da bude dovoljno mesta za sistem i akumulacioni rezervoar. U slučaju ako ispod lavaboa nije dovoljno mesta, dopušteno je instaliranje sistema odvojeno od akumulacionog rezervoara na udaljenosti jednakoj dužini cevi za spajanje.

4) Priključite sistem u skladu sa preporukama ovog uputstva.

4.2. UGRADNJA

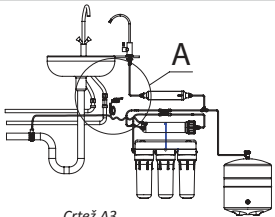
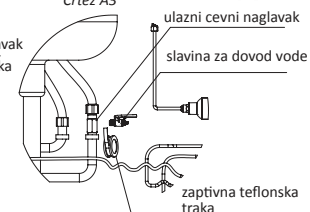
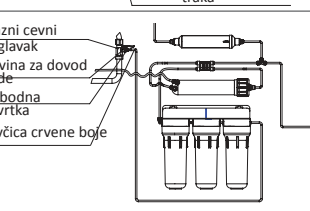
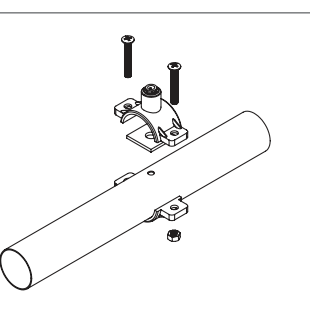
PAŽNJA!!! Ovaj sistem je proveren od strane proizvođača na odsustvo curenja, zbog toga su unutar sistema dopuštene samo neznatne količine vode.

Pre početka ugradnje vodovodnih cevčica, kertridža, membrane potrebno je dobro oprati ruke sapunom za dezinfekciju.

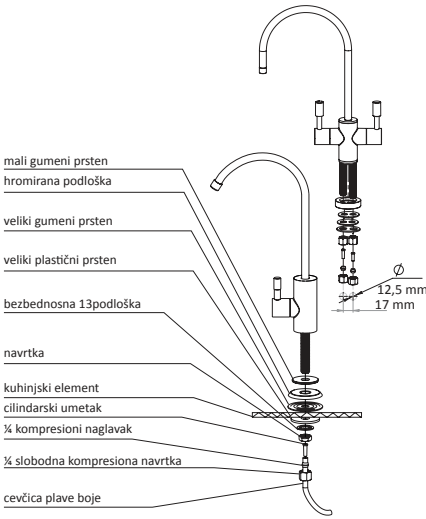
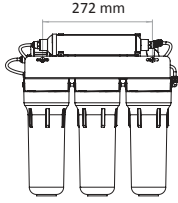
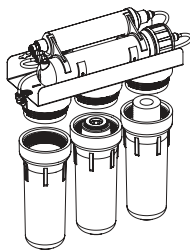
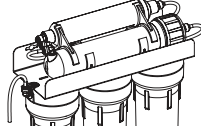
Poželjno je instalirati ovaj sistem u mestima zaštićenim od direktnih sunčanih zraka, i što dalje od pribora za grejanje.

1.	Izvadite sistem povratne osmoze iz pakovanja i proverite broj svih elemenata. Ne otvarajte pakovanje sa delovima. Budite pažljivi, proizvođač ne prihvata reklamacije koje se odnose na manjak delova, ako je pakovanje otvoreno.
2.	Blokirajte ventil hladne vode na ulazu u stan ili kuću i otvorite vodovodnu slavinu na mestu ugradnje filtera (na lavabo) na jedan minut da bi snizili pritisak u sistemu, posle toga zatvorite slavinu.

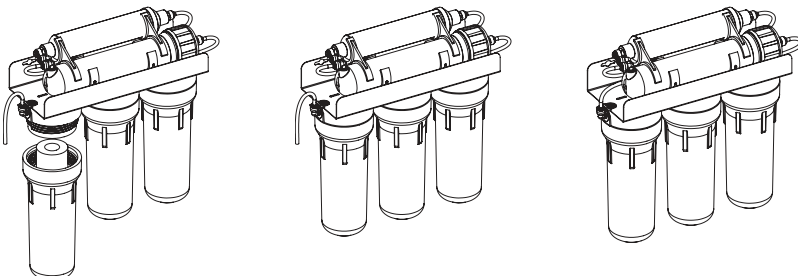
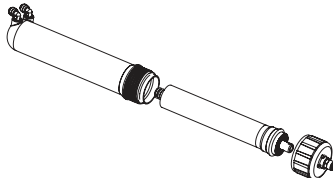
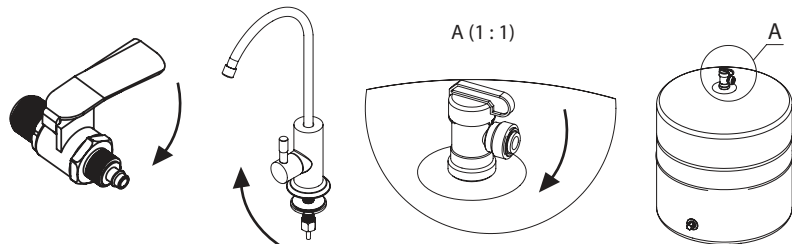
4. REDOSLED UGRADNJE SISTEMA POVRATNE OSMOZE

<p>3.</p>	<p>Ugradite ulazni cevni naglavak 4 u magistralu hladne vode. Ugradite slavinu za dovod vode 5 u ulazni cevni naglavak. Da bi izbeglo curenje vode, potrebno je koristiti za zaptivanje zaptivnu teflonsku traku.</p> <p>Dimenzije priključnih elemenata predviđene su za dimenziju cevovoda $\frac{1}{2}$ inča. U slučaju ako cevovod vaše prostorije ima druge dimenzije, pripremite odgovarajuće adaptere</p>	
<p>4.</p>	<p>Skinite slobodnu navrtku sa priključka sa navojem slavine za dovod hladne vode 5 i stavite nju na cevčicu crvene boje. Čvrsto nategnite cevčicu crvene boje na priključak sa navojem slavine za dovod hladne vode 5 i zavrnite slobodnu navrtku. Drugi kraj cevčice crvene boje spojite sa brzo odvojjom spojnicom prvog (krajini desno) balona modula za filtriranje.</p>	
<p>5.</p>	<p>Spožite drenažnu obujmicu 8 sa drenažnim sifonom vašeg lavaboa. Ova drenažna obujmica odgovara većini standardnih kanizacionih cevi. Probušite rupu od 5 mm u kanizacionoj cevi vašeg lavaboa. Na rupu namestite zaptivač sa lepljivom osnovom (ulazi u komplet). Namestite cevnu obujmicu 8 tako da bi se rupa na drenažnoj cevi poklapala sa rupom (spojnicom) na drenaži. Uz pomoć zavrtanjskog ključa zavrnite navrtke drenažne obujmice. Uzmite cevčicu crne boje, gurnite nju u spojnicu drenažne obujmice. Drugi kraj crne cevčice spojite sa brzo odvojjom spojnicom kućišta membrane.</p> <p>VAŽNO!!! Proverite da li je na mestu regulator protoka 12, koji mora biti umetnut u cevčicu crne boje sa strane priključivanja na kućište membrane.</p>	
<p>6.</p>	<p>Na navojni deo rezervoara 2 čvrsto namotajte teflonsku traku i montirajte loptenu slavinu rezervoara 6. Stavite slavinu u položaj "Zatvoreno".</p> <p>VAŽNO!!! Proverite pritisak vazduha u „suvom rezervoaru“. Pritisak vazduha treba da je 0,4-0,6 bar. U slučaju neophodnosti povećajte pritisak uz pomoć pumpe sa manometrom. U slučaju neophodnosti smanjite pritisak – pritisnite niplu rezervoara.</p>	

4. REDOSLED UGRADNJE SISTEMA POVRATNE OSMOZE

<p>7. Ugradnja slavine za prečišćenu vodu</p> <p>7.1 Za ugradnju slavine za prečišćenu vodu 3 probušite rupu prečnika od 12,5 mm na mestu koje vama odgovara na lavabou ili na kuhinjskom elementu.</p> <p>PAŽNJA!!! Metalna strugotina može pokvariti vaš lavabo. Pažljivo očistite površinu odmah nakon bušenja rupe. U slučaju ako površina za ugradnju slavine keramička ili od kamena, onda koristite specijalno svrdlo od tvrdih legura.</p> <p>7.2 Montirajte slavinu na kuhinjskom elementu ili lavabou. Navrtka, bezbednosna podloška i veliki plastični prsten moraju dobro pričvrstiti slavinu na kuhinjskom elementu.</p> <p>7.3 Uzmite cevčicu plave boje, pazeći na redosled, stavite na nju slobodnu kompresionu navrtku i kompresioni naglavak, nakon toga gurnite cilindarski umetak u cevčicu.</p> <p>7.4 Navrnite slobodnu kompresionu navrtku na priključak postavljene slavine, usmerivši cevčicu u sredinu priključka, pritiskaajući kompresioni naglavak. Nakon ugradnje slavina mora biti dobro pričvršćena na kuhinjskom elementu, a plava cevčica dobro nategnuta na priključak slavine.</p> <p>7.5 Za ugradnju dvokrake slavine (za sistem sa mineralizerom) koristi se isti princip kao što i za jednokraku.</p>	 <p>mali gumeni prsten hromirana podloška</p> <p>veliki gumeni prsten</p> <p>veliki plastični prsten</p> <p>bezbednosna 13podloška</p> <p>navrtka</p> <p>kuhinjski element cilindarski umetak ¼ kompresioni naglavak</p> <p>¼ slobodna kompresiona navrtka</p> <p>cevčica plave boje</p> <p>12,5 mm 17 mm</p>
<p>8. Izaberite zid na koji želite smestiti filter. U zid zašarafite 2 šarafa da bi pričvrstili filter (šarafi nisu u kompletu). Donji delovi balona moraju se nalaziti na visini minimum 100 mm od poda. Razmak između otvora za držače iznosi 272 mm.</p>	 <p>272 mm</p>
<p>9. Stavite kertridže u prvi i drugi balone u pravcu toka vode (zdesna nalevo).</p>	
<p>10. Zavrnite sva tri balona bez preteranog napora.</p>	
<p>11. Odvojite cevčicu koja veže treći u pravcu toka vode balona sa automatskim regulatorom.</p>	

4. REDOSLED UGRADNJE SISTEMA POVRATNE OSMOZE

12.	Otvorite slavinu napojne vode 5 i pustite da teče 5-7 litara vode kroz dva prva balona sa kertridžima da bi isprali ugljenu prašinu, koja se može stvoriti u kertridžima za vreme prevoza. PAŽNJA!!! Ova voda će se izliti kroz cevčicu koja je odvojena od automatskog regulatora. Neophodna je posuda za sabiranje vode.
13.	Stavite kertridž u treći balon posmatrano od pravca toka vode, nameštite balon i ponovo pustite minimum 4 litra vode, da bi isprali ugljenu prašinu. Zatvorite slavinu napojne vode 5 i ponovo spojite cevčicu sa automatskim regulatorom. <div style="text-align: center;">  </div>
14.	Ugradite membranu za povratnu osmozu 11 u kućište namenjeno za nju. PAŽNJA!!! Ugradnja membrane za povratnu osmozu ostvaruje se kroz prednji otvor u pakovanju. Nemojte vaditi membranu iz pakovanja i izbegavajte kontakt rukama sa površinom membrane. <div style="text-align: right;">  </div>
15.	Otvorite slavinu napojne vode 5 i slavinu za prečišćenu vodu 3 neka budu otvorene u toku minimum 30 minuta. Stavite kuglastu slavinu 6 na rezervoaru 2 u položaj „Otvoreno“. Zatvorite slavinu za prečišćenu vodu 3 i pažljivo proverite sve spojeve da li ima nekih curenja. PAŽNJA!!! Tokom prve nedelje nakon ugradnje svaki dan proveravajte sistem da li ima nekih curenja. Radite to povremeno i u budućnosti. U slučaju vašeg dugotrajnog odsustva – službeni put ili odmor – blokirajte dovod vode u sistem. <div style="text-align: center;">  </div>
16.	Kada se rezervoar napuni sa vodom (čuje se da je voda prestala da teče) izlijte vodu iz rezervoara u kanalizaciju, otvorivši slavinu za prečišćenu vodu 3 . Posle završetka protoka vode zatvorite slavinu za prečišćenu vodu 3 da bi se rezervoar ponovo napunio. U zavisnosti od pritiska u vašem sistemu vodosnabdevanja, punjenje sa vodom može trajati od 1,5 do 3 sata. Posle ponovnog punjenja rezervoara sa vodom možete već da pijete prečišćenu vodu.

5. POSTUPAK POSLE UGRADNJE

PROVERAVANJE RADA SISTEMA NA USKLAĐENOST TEHNIČKIH KARAKTERISTIKA

1. Ocena vremena punjenja rezervoara. Rezervoar se napunio onog trenutka kada se završio izliv koncentrata u kanalizaciju. Dobijeni rezultat zavisi od izlaznog pritiska vodovoda.
2. Izračunavanje konverzije. Za izračunavanje konverzije potrebno je: merna posuda obima minimum 1 litar, štoperica. Zatvorite kuglastu slavinu rezervoara **6** i otvorite slavinu za prečišćenu vodu **3**. Uz pomoć merne posude zabeležite vreme punjenja posude sa permeatom tpermeat. Dalje, zatvorite slavinu za prečišćenu vodu. Odvojite crnu drenažnu cevčicu od spojnice drenažne obujmice. Otvorite slavinu za prečišćenu vodu **3** i slavinu napojne vode **5**, koristite mernu posudu za merenje vremena punjenja istog obima koncentratom tkoncentrat. Nakon toga zatvorite slavine **3** i **5** i otvorite loptenu slavinu rezervoara **6**. Koristite sledeću formulu za izračunavanje konverzije:

$$R = \frac{t_{\text{koncentrat}}}{t_{\text{permeat}} + t_{\text{koncentrat}}} \times 100\%$$

gde je R – konverzija, %; tkoncentrat – vreme punjenja merne posude sa koncentratom, min; tpermeat – vreme punjenja merne posude sa permeatom, min.

U zavisnosti od kvaliteta napojne vode, temperature vode, pritiska ispred membrane, konverzija može da bude različita. Normalna vrednost konverzije mora da bude u dijapazonu 10-20%.

3. Proveravanje TDS izlazne vode, TDS permeata obavlja se uz pomoć TDS-metra.
4. Proveravanje rada automatskog regulatora. Pri napunjenom rezervoaru i zatvorenoj slavini za prečišćenu vodu zatvorite loptenu slavinu rezervoara **6**. Izliv koncentrata mora se završiti tokom 10 min.
5. Proveravanje sistema na curenje.
6. Informisanje vlasnika sistema o pravilima tehničkog održavanja sistema, i preporukama – pažljivo pročitajte ovo uputstvo.
7. Izvršiti upise o puštanju u rad u zapisnik tehničkog održavanja (vidi tačku 9 ovog pasoša).

6. PRAVILA UPOTREBE

Kućni sistem povratne osmoze namenjen je za dopunsko prečišćavanja isključivo hladne vode.

U slučaju ako se vreme punjenja rezervoara povećalo, to znači da je komplet kertridža prethodnog prečišćavanja vode već istrošio resurs i njega je neophodno hitno menjati. Odlaganje zamene kertridža može prouzrokovati kvar i uništiti membranu.

Da bi se izbegle takve kritične situacije, preporučuje se **menjanje kompleta kertridža prethodnog prečišćavanja vode minimum jedanput na svaka 3 meseca**.

U slučaju ako se brzina filtriranja značajno smanjila, potrebno je izvršiti zamenu membrane za povratnu osmozu. Za dobijanje prečišćene vode stalnog kvaliteta mi preporučujemo **obavljanje zamene membrane za povratnu osmozu minimum jedanput svake 1-1,5 godine**. U slučaju dugih prekida u radu sistema (više od 2 nedelje) potrebno je uraditi dezinfekciju sistema iz tačke 7.

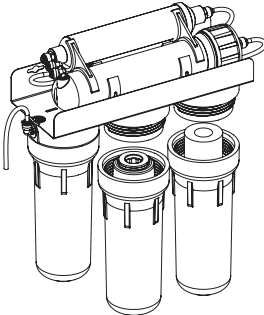
U slučaju ako ne planirate koristiti filter / sistem tokom trajnog perioda, preporučljivo je blokirati dovod vode u sistem.

6. PRAVILA UPOTREBE

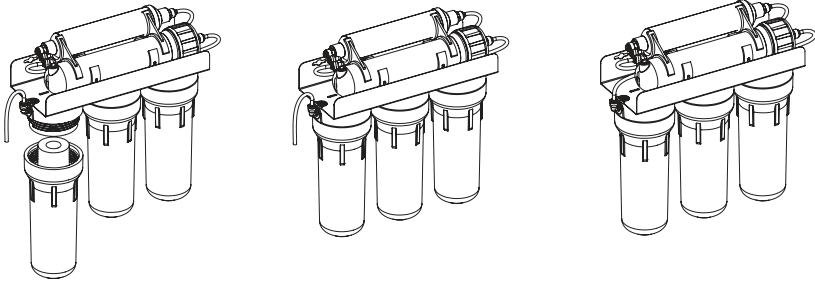
6.1. NAMENA ČVOROVA I NJIHOVA ZAMENA

Stepen filtriranja	Naziv kertridža	Periodičnost zamene
Prvi	Kertridži prethodnog prečišćavanja vode za sistem povratne osmoze. Resurs zavisi od potrošnje i kvaliteta napojne vode.	Minimum jedanput svaka 3 meseca
Drugi		
Treći		
Četvrti	Membrana za povratnu osmozu	jednom godišnje
Peti	Ugljeni post filter	
Šesti	Mineralizer / UV lampa	

6.2. REDOSLED ZAMENE KERTRIDŽA PRETHODNOG PREČIŠĆAVANJA

1.	Blokirajte slavinu napojne vode 5 , stavite kuglastu slavinu rezervoara 6 u položaj „Zatvoreno“.	
2.	Dobro operite reke sapunom za dezinfekciju.	
3.	Ključem odvrnite prvi i drugi balon u pravcu toka vode (zdesna nalevo). Budite pažljivi, jer su baloni napunjeni sa vodom.	
4.	Izvadite istrošene kertridže.	
5.	Dobro operite balone sapunom bez mirisa i čistim sunderom, posle toga dobro ih isperite sa vodom.	
6.	Stavite nove kertridže u prvi i drugi balon u pravcu toka vode (zdesna nalevo).	
7.	Odvajite cevčicu koja veže treći balon u pravcu toka vode sa automatskim regulatorom.	
8.	Otvorite slavinu napojne vode 5 i pustite da teče 5-7 litara vode kroz dva prva balona sa kertridžama da bi isprali ugljenu prašinu, koja se može stvoriti u kertridžama za vreme prevoza. PAŽNJA!!! Ova voda će se izliti kroz cevčicu odvojenu od automatskog regulatora. Trebaće Vam posuda za sabiranje vode.	

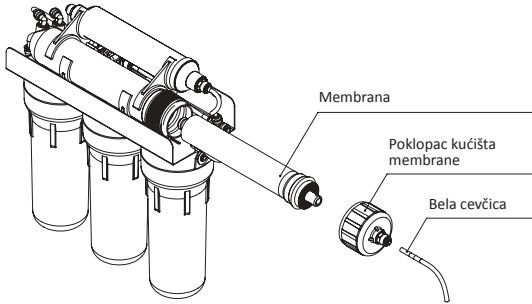
6. PRAVILA UPOTREBE

<p>9.</p> <p>10.</p> <p>11.</p>	<p>Ključem odvrtnite treći balon u pravcu toka vode. Budite pažljivi, jer je balon napunjen sa vodom.</p> <p>Dobro operite balone sapunom bez mirisa i čistim sunđerom, posle toga dobro ih isperite sa vodom.</p> <p>Stavite kertridž u treći balon u pravcu toka vode, namestite balon i ponovo pustite minimum 4 litra vode, da bi isprali ugljenu prašinu. Zatvorite slavinu napojne vode <u>5</u> i ponovo spojite cevčicu sa automatskim regulatorom.</p> 
<p>13.</p>	<p>Otvorite kuglastu slavinu rezervoara <u>6</u>.</p>
<p>14.</p>	<p>Otvorite slavinu napojne vode <u>5</u>.</p>

6. PRAVILA UPOTREBE

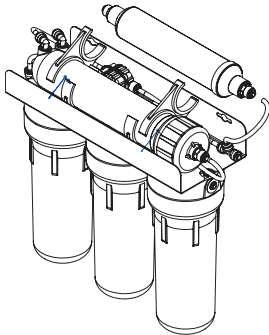
6.3. REDOSLED ZAMENE MEMBRANE

(Zamenu membrane obavljati sa stručnjakom servis centra)

1.	Blokirajte slavinu napojne vode 5 , stavite kuglastu slavinu rezervoara 6 u položaj „Zatvoreno“.
2.	Otvorite slavinu prečišćene vode 3 za smanjenje pritiska u sistemu.
3.	Odvojite belu cevčicu od poklopca kućišta membrane.
4.	Odvrtite poklopac kućišta membrane.
5.	Izvadite iskorišćenu membranu za povratnu osmozu 11 (zapamtite njen položaj u kućištu).
	
6.	Stavite lubrikant na gumene zaptivače nove membrane za povratnu osmozu 11 i na zaptivače poklopca kućišta membrane. PAŽNJA!!! Da bi ne oštetiti membranu kao lubrikant koristite isključivo prehrambeni glicerol.
7.	Ugradite novu membranu za povratnu osmozu 11 u kućište, pridržavajući se pravca i položaja cevčice. PAŽNJA!!! Ugradnja membrane za povratnu osmozu ostvaruje se kroz prednji otvor u pakovanju. Nemojte vaditi membranu iz pakovanja i izbegavajte kontakt rukama sa površinom membrane.
8.	Zavrtnite poklopac kućišta membrane.
9.	Priključite belu cevčicu na poklopac kućišta membrane.
10.	Zatvorite slavinu prečišćene vode 3 .
11.	Otvorite loptenu slavinu rezervoara 6 .
12.	Otvorite slavinu napojne vode 5 .
13.	Kada se rezervoar napuni sa vodom (ču je se da se protok vode zaustavio), ispraznite vodu iz rezervoara u kanalizaciju, otvorivši slavinu za prečišćenu vodu 3 . Posle završetka mlaza vode zatvorite slavinu za prečišćenu vodu 3 da bi se rezervoar ponovo napunio. U zavisnosti od pritiska u vašem sistemu vodosnabdevanja punjenje sa vodom može trajati od 1,5 do 3 sata. Posle ponovnog punjenja rezervoara sa vodom, možete već da pijete prečišćenu vodu.

6. PRAVILA UPOTREBE

6.4. REDOSLED ZAMENE UGLJENOG KERTRIDŽA I /ILI MINERALIZERA

1.	Blokirajte slavinu napojne vode 5 , stavite kuglastu slavinu rezervoara 6 u položaj „Zatvoreno“.	
2.	Otvorite slavinu prečišćene vode 3 za smanjenje pritiska u sistemu.	
3.	Odvojte cevi koje spajaju ugljeni post filter i/ili mineralizer sa sistemom.	
4.	Skinite istrošeni ugljeni post filter i/ili mineralizer sa plastičnih nosača.	
5.	Ugradite novi ugljeni post filter i/ili mineralizer, u skladu sa strelicama koje označavaju protok vode.	
6.	Spojite cevčice kojima ugljeni post filter i/ili mineralizer spaja se sa sistemom.	
7.	Otvorite slavinu napojne vode 5 . Otvorite loptenu slaviniu rezervoara 6 .	
9.	Ispraznite vodu iz rezervoara u kanalizaciju, otvorivši slaviniu za prečišćenu vodu 3 . Posle završetka protoka vode zatvorite slaviniu za prečišćenu vodu 3 da bi se rezervoar ponovo napunio. U zavisnosti od pritiska u vašem sistemu vodosnabdevanja punjenje sa vodom može trajati od 1,5 do 3 sata. Posle ponovnog punjenja rezervoara sa vodom možete već da pijete prečišćenu vodu.	

6.5. REDOSLED ZAMENE UV LAMPE

(Zamenu UV lampe obavlja stručnjak servis centra)

Preporučeni rok upotrebe UV lampe je 9 000 sati (skoro 1 godina besprekidnog rada).

PAŽNJA!!!

Ne preporučuje se koristiti UV lampu nakon završetka preporučenog termina upotrebe, ukoliko se smanjuje intenzitet zračenja i ne obezbeđuje se garantovano dezinfikovanje vode.

Strogo je zabranjeno uključivati napajanje električnom energijom UV lampe dok emitor nije u metalnom oklopu. Takođe, zabranjeno je gledati na uključenu lampu, jer to može oštetiti vaše oči i prouzrokovati pogoršanje i gubitak vida.

Tokom zamene UV lampe poželjno je obaviti čišćenje kućišta od kvarca.

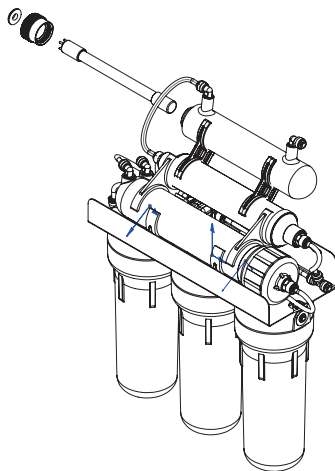
6. PRAVILA UPOTREBE

U postupku čišćenja kućišta zabranjeno je koristiti brusni materijal, ukoliko to smanjuje propustljivost UV zračenja i, naravno, smanjuje efikasnost dezinfikovanja.

Vaditi kućište iz oklopa vrlo pažljivo, da ga ne bi oštetiti ili ostavili ogrebotine.

Takođe, potrebno je pažljivo skidati zaptivne prstene, koji se nalaze na krajevima kućišta i služe za hermetičnost UV lampe i sprečavanje kontakta vode sa lampom i električnom priključnicom. Novu UV lampu potrebno je oprezno uzimati isključivo za keramičke krajeve, ukoliko zagađenje kvarcne površine lampe smanjuje intenzitet dezinfikovanja, a isto tako smanjuje rok upotrebe. Pri obavljanju zamene UV lampe neophodno je koristiti pamučne rukavice.

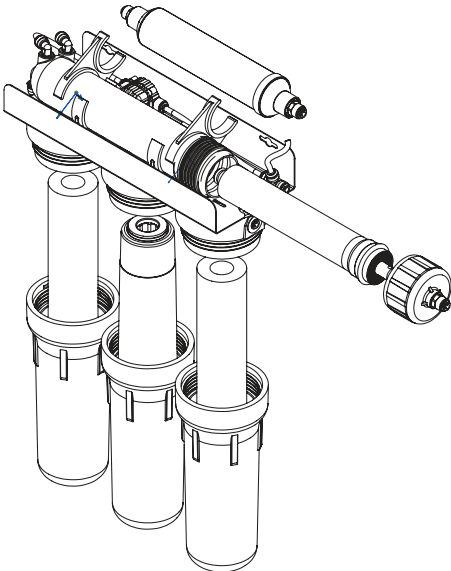
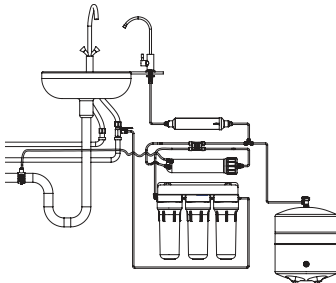
1.	Isključite UV lampu iz mreže električnog napajanja.
2.	Blokirajte slavinu napojne vode 5 , stavite kuglastu slavinu rezervoara 6 u položaj „Zatvoreno“.
3.	Skinite sa oklopa crni PVC zatvarač, kroz koji prolazi električni kabl.
4.	Držeći se za električnu spojnicu, oprezno izvadite lampu iz kućišta od kvarca.
5.	Držeći lampu za osnovu odvojite spojnicu električnog napajanja.
6.	Umetnite novu lampu do sredine dužine u kućište od kvarca.
7.	Pravilno priključite spojnicu za električno napajanje.
8.	Umetnite lampu do kraja u kućište od kvarca i stavite na oklop PVC zatvarač.
9.	Ponovite dovod vode na uređaj dezinfekcije i proverite da li je nastradala hermetičnost zaptivača između oklopa lampe i kućišta od kvarca za vreme zamene iste.
10.	Priključite blok za dezinfekciju na električnu mrežu i uverite se da nova lampu radi na nadležan način. To pokazuje zelena boja indikatora na jedinci napajanje lampe.



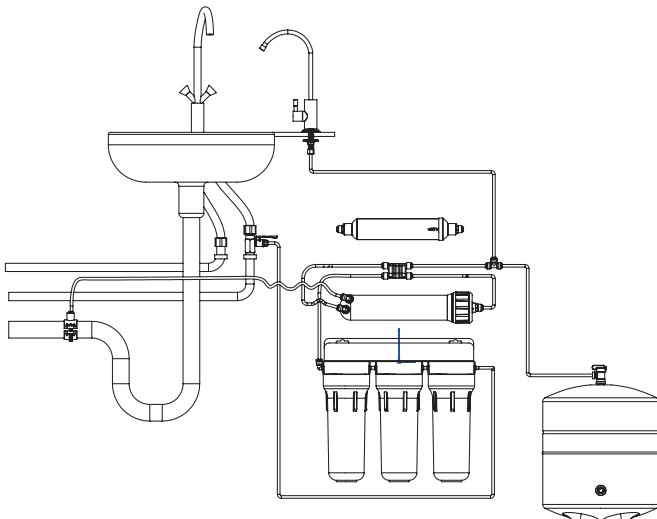
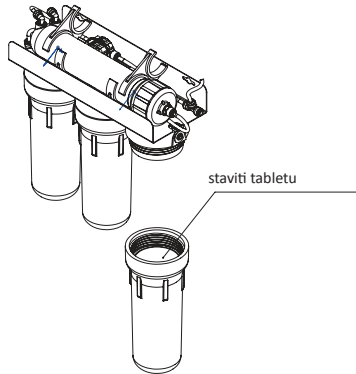
7. DEZINFEKCIJA SISTEMA POVRATNE OSMOZE

Dezinfekciju filtera pitke vode preporučuje se obavljati posle njihove dugotrajne upotrebe (~ 6 meseci), a isto tako u slučajevima, ako se filteri nisu koristili duži period vremena (~ 3 meseca). Takođe, poželjno je obavljati dezinfekciju sistema prilikom zamene kertridža.

Za dezinfekciju preporučuje se koristiti tablete aktivnog hlora.

1.	Blokirajte slavinu napojne vode 5 , stavite loptenu slavinu rezervoara 6 u položaj „Zatvoreno“.
2.	Izvadite i reciklirajte kertridže prethodnog prečišćavanja i ugljeni post filter. 
3.	Izvadite membranu za povratnu osmozu, upakujte nju hermetički i smestite u frižider pri temperaturi od +2 do +5 °C (za vađenje membranog elementa mogu se koristiti okrugla klešta).
4.	Zavrните 2. i 3. balon u pravcu toka vode, kućiste membrane, cevčicu od slavine za prečišćenu vodu priključite na trojniš umesto ugljenog post filtera. 

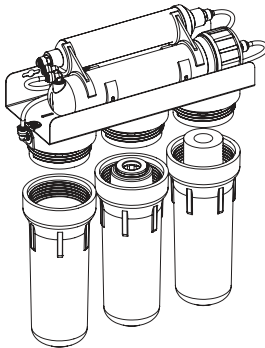
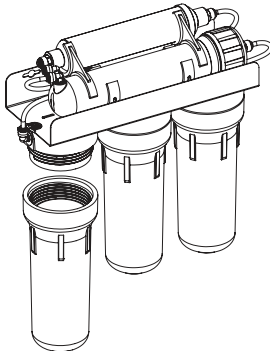
7. DEZINFEKCIJA SISTEMA POVRATNE OSMOZE

<p>4.</p>	
<p>5.</p>	<p>Stavite u 1. balon tabletu za dezinfekciju. Napunite balon sa vodom i zatvorite</p> 
<p>6.</p>	<p>Kroz 15 minuta otvorite slavinu za prečišćenu vodu 3 i slavinu napojne vode 5.</p>
<p>7.</p>	<p>U trenutku kada iz slavine za prečišćenu vodu počne da teče voda sa mirisom hlora, zatvorite slavinu za prečišćenu vodu 3 i slavinu napojne vode 5.</p>
<p>8.</p>	<p>Ostavite sistem napunjen rastvorom na 2-3 sata.</p>
<p>9.</p>	<p>Otvorite slavinu za prečišćenu vodu 3 i slavinu napojne vode 5. Sačekajte dok nestane mirisa hlora u vodi iz slavine.</p>
<p>10.</p>	<p>Ugradite u sistem sve elemente za filtriranje, otvorite kuglastu slavinu rezervoara 6. Otvorite slavinu napojne vode 5.</p>
<p>11.</p>	<p>Napunite i ispraznite minimum dva rezervoara vode (do potpunog nestanka mirisa hlora).</p>

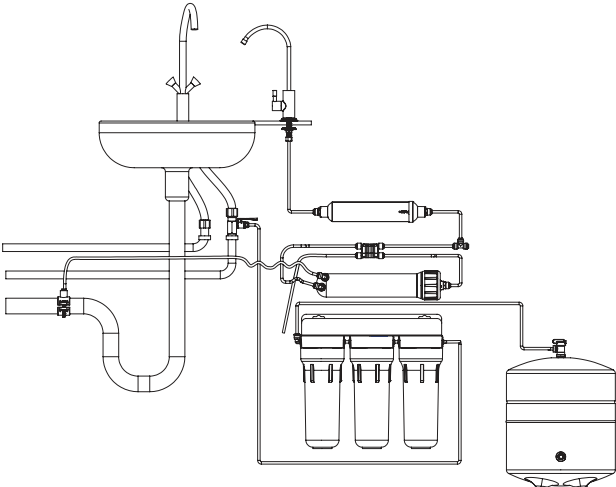
RS

7. DEZINFEKCIJA SISTEMA POVRATNE OSMOZE

7.1. DEZINFEKCIJA AKUMULACIONOG REZERVOARA

1.	Blokirajte slavinu napojne vode 5 .
2.	Otvorite slavinu za prečišćenu vodu 3 i potpuno izlijte vodu u kanalizaciju.
3.	Blokirajte kuglastu slavinu rezervoara 6 .
4.	Izvadite kertridže prethodnog prečišćavanja vode. 
5.	Zavrnite 2. i 3. balon u pravcu toka vode. 

7. DEZINFEKCIJA SISTEMA POVRATNE OSMOZE

<p>6.</p>	<p>Otključite cevčicu koja vodi kod akumulacionog rezervoara od trojnika post filtera i spojite nju sa spojnicom 3. balona.</p> 
<p>7.</p>	<p>Stavite u 1. balon tabletu za dezinfekciju. Napunite balon sa vodom i zatvorite.</p>
<p>8.</p>	<p>Kroz 15 minuta otvorite kuglastu slavinu rezervoara <u>6</u>.</p>
<p>9.</p>	<p>Na 5 minuta otvorite slavinu napojne vode <u>5</u>.</p>
<p>10.</p>	<p>Zatvorite kuglastu slavinu rezervoara i ostavite bak napunjeni sa rastvorom na 1-2 sata.</p>
<p>11.</p>	<p>Izlijte vodu iz akumulacionog rezervoara <u>6</u> putem odvajanja njegove cevčice od spojnice 3. balona. Vratiti u početno stanje priključivanje cevi.</p>
<p>12.</p>	<p>Stavite kertridže u sistem, uključite kuglastu slavinu akumulacionog rezervoara <u>6</u> i slavinu napojne vode <u>5</u>.</p>
<p>13.</p>	<p>Napunite i ispraznite minimum 3 rezervoara vode (do potpunog nestanka mirisa hlora).</p>

8. MOGUĆI KVAROVI I NAČINI NJIHOVOG OTKLANJANJA

KVAR	RAZLOG	NAČIN OTKLANJANJA
Curenje vode ispod spojnice	Nisu hermetično spojene cevčice	Odspojite i ponovo priključite cevčice
Curenje vode ispod drenažne obujmice	Nije ispravno ugrađena drenažna obujmica	Ispravno ugradite drenažnu obujmicu
Curenje vode ispod balona	Nije ispravno ugrađen zaptivni prsten	Proverite ispravnost ugradnje zaptivnog prstena (u žlebu balona)
	Nije dovoljno dobro zavrnut balon.	Dobro zavrnite balon
Jako slab mlaz vode iz slavine	Niski pritisak na ulazu u sistem	Proverite ulazni pritisak. U slučaju ako je pritisak niži od 3 atm. – ugradite pumpu
	Prljavi kartridži pred filtera	Zamenite kartridže pred filtera
	Prljava membrana	Zamenite membranu
	Suviše stisnuta priključna cevčica	Proverite čitavu cevčicu
	Suviše stisnuta priključna cevčica	Proverite čitavu cevčicu
	Nizak pritisak u akumulacionom rezervoaru	Pritisak u akumulacionom rezervoaru bez vode treba da je 0,4-0,6 atm. U slučaju neophodnosti napumpajte pritisak pumpom. Radovi se izvode sa stručnjakom servis centra (SC)
Povećani nivo buke	Vazduh u automatskom regulatoru	Vazduh će sam izaći iz automatskog regulatora na prirodni način tokom vremena
	Pritisak na ulazu je veći nego što bi trebalo	Ugradite regulator pritiska. Obratiti se servis centru
Lupanje automatskog regulatora	Kolebanje pritiska u mreži	Ugradite povratni ventil na ulazu vodovodne mreže u stan. Proverite pritisak u suvoj membrani rezervoara. Pritisak u akumulacionom rezervoaru bez vode treba da je 0,4-0,6 atm. U slučaju neophodnosti napumpajte pritisak pumpom. Radovi se izvode sa stručnjakom servis centra (SC).

8. MOGUĆI KVAROVI I NAČINI NJIHOVOG OTKLANJANJA

Voda stalno curi u drenažu	Nizak pritisak na ulazu u sistem	Proverite ulazni pritisak. Ako pritisak je niži od 3 atm. – ugradite pumpu.
	Prljavi kartridži pred filtera	Zamenite kartridže pred filtera
	Prljava membrana	Zamenite membranu
	Automatski regulator je pokvaren	Proverite da li je automatski regulator u radnom stanju (pri zatvorenoj kuglastoj slavini akumulacionog rezervoara automatski regulator kroz nekoliko minuta mora blokirati dovod vode u sistem).
	Povratni ventil u kućištu membrane je pokvaren	U slučaju kvara povratnog ventila akumulacioni rezervoar je napunjen sa vodom, a isticanje vode u drenažu ne prestaje. Obratiti se servis centru
	Nije ugrađen ili pogrešno je ugrađen graničnik protoka vode	Proverite da li je ugrađen graničnik protoka na izlazu iz držača membrane (kućišta membrane). Graničnik treba da je ugrađen u cevčicu crne boje i priključen na izlaz iz držača membrane. U slučaju ako ona strana cevčice, u kojoj se nalazi graničnik protoka vode, ide u kanalizaciju, pročistite graničnik i ponovo ispravno priključite cevčicu. U slučaju ako graničnik nije na svome mestu, najverovatnije je otišao sa vodom u kanalizaciju. Ugradite novi graničnik protoka vode (priključite kraj cevi sa graničnikom na izlaz iz držača membrane).
Voda ne ističe iz drenažne cevi pri dovođenju vode u sistem	Akumulacioni rezervoar je napunjen	Otvorite slavinu prečišćene vode. U slučaju ako će nakon izliva prečišćene vode iz rezervoara početi izliv u drenažu – rad sistema je u normi.
	Graničnik protoka vode je zapušten	Pročistite ili zamenite graničnik protoka vode
	Rupa u drenažnoj obujmici ne poklapa se s rupom kanalizacione cevi.	Ispravno ugradite drenažnu obujmicu, ponovo proverite rad sistema
Voda ima nijansu bele boje koji posle bistrenja nestaje	Vazduh u sistemu	Vazduh u sistemu to je normalna pojava sa početkom rada sistema. Kroz neko vreme ovakav efekat će proći. Pažnja! Mehurići se mogu pojaviti u prečišćenoj vodi u hladno doba godine, kada je velika razlika temperature vode i prostorija.

8. MOGUĆI KVAROVI I NAČINI NJIHOVOG OTKLANJANJA

Voda ima ukus i miris	Ugljeni post filter se istrošio	Zamenite kertridž
	Rastvor za dezinfekciju nije dobro ispran	Ispraznite vodu iz rezervoara u odvod, napunite rezervoar ponovo.
	Sistem je zagađen	Uradite dezinfekciju sistema u skladu s preporukama iz poglavlja 7 tačka 7.1
	Rezervoar je zagađen	Zamenite rezervoar Pažnja! Rezervoar se može zagaditi tokom dugotrajne upotrebe sistema i neblagovremene zamene kertridža
Mala količina vode u akumulacionom rezervoaru	Visoki pritisak u vazdušnoj komori akumulacionog rezervoara	Pritisak u akumulacionom rezervoaru bez vode treba da je 0,4-0,6 atm. U slučaju neophodnosti smanjite pritisak. Radovi se izvode sa stručnjakom servis centra (SC).
	Na akumulacionom rezervoaru slavina je zatvorena	Proverite položaj slavine na rezervoaru

9. ZAPISNIK TEHNIČKOG ODRŽAVANJA

Proizvođač preporučuje pažljivo vodjenje upisa u zapisnik tehničkog održavanja. Informacije koje su zabeležene u zapisniku će pomoći stručnjaku u radu sa vašim sistemom povratne osmoze. Isto tako ove informacije može da zatraži proizvođač u slučaju bilo.

PUŠTANJE U RAD

DD:MM:GG T	Datum puštanja u rad,	Prihsak na ulazu	Dezinfekcija je izvršena DA / NE	VREME PUNJENJA REZERVARA, SS:MM	Konverzija (recovery)	Preporuke	Podaci o dopunski ugradnim elementima: naziv, datum ugradnje (primer: reduktor, pumpa, filteri za pre- thodno prečišćavanje vode isl.)	Naziv kompanije koja je izvršila ugradnju sistema	Ime, prezime stručnjaka koji je obavio ugradnju sistema	Kontaktne informacije o kompaniji koja je obavila ugradnju sistema (broj telefona, adresa, e-mail)
------------	-----------------------	------------------	-------------------------------------	------------------------------------	-----------------------	-----------	--	--	---	---

OBAVLJENI SU RADOVI UGRADNJE, PROIZVOD JE PROVEREN, PROIZVOD NA KVALITET IZVRŠENIH RADOVA. POTVRĐUJEM.

Vlasnik opreme: _____ Potpis (ime, prezime) _____
 Predstavnik servis centra : _____ Potpis (ime, prezime) _____

9. ZAPISNIK TEHNIČKOG ODRŽAVANJA

TEHNIČKO ODRŽAVANJE

Naziv radova				
Potrošni materijali iskorišteni prilikom tehničkog održavanja				
Dezinfekcija sistema / rezervoara izvršena je				
Odnos permeat / koncentrat				
Datum obavljanja teh- ničkog održavanja				
Naziv kompanije koja je obavila tehničko održavanje				
Ime, prezime stručnjaka				
Nema reklamacija na kvalitet izvršenih radova. Popis vlasnika opreme				

10. BEZBEDNOST ZDRAVLJA I ŽIVOTNE SREDINE

Proizvod nema hemijskog, radioaktivnog, elektrohemijskog uticaja na životnu sredinu. Takođe ovaj proizvod ne spada u škodljive proizvode po stepenu uticaja na organizam čoveka. Odgovara odredbama zdravstvenog zakonodavstva ako se koristi u skladu sa namenom i sferom primene.

11. PRAVILA KUPOVINE

Ovaj proizvod poželjno je kupovati u ovlašćenim centrima prodaje. Pri kupovini proizvoda potrebno je proveriti: celovitost pakovanja, da li ima mehaničkih oštećenja i drugih odstupanja, da li ima svih delova (nemojte otvarati pakovanje!), da li je priložena prateća dokumentacija - uputstvo i garantni list.

12. TRANSPORT I SKLADIŠTENJE

Transport proizvoda dozvoljen je bilo kojima transportnim sredstvima (osim onih koja nemaju grejanje u hladnim periodima godine) i u skladu sa pravilima prevoza robe, koja važe za svaku vrstu transportnog sredstva. Za vreme utovara, istovara i prevoza potrebno je pridržavati se zahteva znakova za rukovanje na ambalaži. Skladištenje proizvoda predviđeno je u zatvorenim prostorijama, u kojima je isključena mogućnost mehaničkih oštećenja, uticaja vlage i hemijski aktivnih supstanci. Proizvodi se moraju čuvati u ambalaži proizvođača pri temperaturi životne sredine od 5 °C do 40 °C i relativnoj vlažnosti 80 %, na udaljenosti minimum 1 m od pribora za grejanje.

13. GARANCIJSKE OBAVEZE

Zahvaljujemo se što ste nabavili sistem povratne osmoze koji proizvodi naša kompanija Ecosoft.

Nadamo se da će Vam ovaj sistem biti od koristi tokom dugih godina i da će Vama i Vašoj porodici omogućiti zadovoljstvo zbog upotrebe čiste, pitke vode.

Proizvođač garantuje da ovaj sistem za prečišćavanje vode nema proizvodnih defekata i da se takvi defekti neće javiti tokom garantnog perioda koji je naveden u garantnom listu, ako je sistem za prečišćavanje vode ugrađen i radi u skladu sa tehničkim zahtevima i uslovima korišćenja.

Da bi izbegli nesporazume, molimo Vas da pažljivo pročitate Uputstvo za ugradnju, održavanje i upotrebu sistema povratne osmoze, uslove garantnih obaveza, proverite ispravnost podataka navedenih na garantnom listu, dokumentaciju koja potvrđuje kupovinu (ček, račun, otpremnica, akt puštanja u rad). Garantni list važi samo ako su ispravno navedeni sledeći podaci: model, datum prodaje, i ukoliko na sebi ima vidljive pečate kompanije-prodavca.

Za ugradnju sistema na odgovarajući način potrebno je da precizno proučite uputstvo za ugradnju, upotrebu i održavanje ili da se obratite za pomoć kod kvalifikovanog stručnjaka.

Proizvođač ne snosi odgovornost za bilo koja oštećenja imovine ili bilo koju drugu štetu, uključujući i izgubljenu korist, koja je nastala slučajno ili kao rezultat upotrebe ili nemogućnosti upotrebe ovog proizvoda.

Materijalna odgovornost Proizvođača u skladu sa ovom Garancijom ne može da bude veća od cene ovog filtera.

Garancijske obaveze ne pokrivaju:

- zamenjive elemente (kertridže, membranu za povratnu osmozu, ugljeni post filter, mineralizer ili druge zamenjive elemente, koji mogu biti u kompletu sistema);
- električnu opremu ako u električnoj mreži nema uzemljenja, a isto tako u slučaju ako nema stabilizatora napona;
- elemente koje je neophodno menjati usled njihovog prirodnog habanja;
- kvarovi i poremećaji koji su nastali kao rezultat neblagovremene zamene zamenljivih elemenata (rok zamene je naveden u Ovom uputstvu za upotrebu), a isto tako u slučaju korišćenja zamenljivih elemenata drugih proizvođača.

Sve reklamacije koje se odnose na kvalitet vode, ukus, miris i druga svojstva vode prečišćene uz pomoć ovog filtera, prihvataju se samo uz potvrđeni protokol testa, koji je izrađen od strane ovlašćene istraživačke laboratorije.

Slučajevi koji nisu predviđeni u ovoj Garantiji rešavaju se u skladu sa lokalnim Zakonodavstvom.

Standardna ugradnja sa radnikom servisne službe

Standardna ugradnja se vrši samo na cevi prečnika ½ inča i ukoliko postoji ventil za blokiranje vode neposredno u stanu.

Popis radova koje obavlja radnik servisne službe pri standardnoj ugradnji:

- ugradnja ulaznog cevnog naglavka i slavine dovođenja vode u vodovodnu cev;
- ugrađivanje slavine na lavabo ili kuhinjski element;
- ugradnja modula filtriranja, drenažne obujmice i priključivanje cevčicama u boji;
- proveravanje sistema na hermetičnost radnih čvorova i korektnost rada sistema u celini;
- popunjavanje akta izvršenih radova;
- popunjavanje zapisnika tehničkog održavanja.

Radnik servisne službe dopunski može ponuditi i ugraditi:

- regulator pritiska;
- kompenzator hidrauličkog udara;
- sistem zaštite od curenja vode;
- drugu opremu koja će poboljšati rad osnovne opreme;
- servisiranje.

Dopunski se plaća:

- transportni troškovi servisne službe;
- dolazak servisne službe u neradno vreme;
- ugradnja na postojeća mesta vodosnabdevanja bez fleksibilnog priključka gde je potrebno
- izmeniti konstrukciju cevovoda uz pomoć specijalnih instrumenata i dopunskih materijala i elemenata;
- ugradnja slavine za prečišćenu vodu na elementu, koji je napravljen od materijala i za koji je potrebna specijalna oprema (liveno gvožđe, veštački kamen, keramički granit i drugi veštački materijali);
- ugradnja regulatora pritiska;
- ugradnja kompenzatora hidrauličkog udara;
- ugradnja sistema zaštite od curenja vode;
- drugu opremu koja će poboljšati rad osnovne opreme;
- servisiranje.

Servisna služba ne snosi odgovornost za stanje dovodnih vodovodnih cevi i vodovodne armature kupca. Nedovoljno dobro stanje dovodnih vodovodnih cevi i vodovodne armature koje onemogućava standardnu proceduru za ugradnju filtera koja je definisana uputstvom za ugradnju može biti razlog za otkazivanje pružanja usluga za ugradnju.

PAŽNJA!!! U SLUČAJU SAMOSTALNE UGRADNJE SISTEMA PROIZVOĐAČ NE SNOSI ODGOVORNOST I NE PRIHVATA REKLAMACIJE NA NEISPRAVNOSTI KOJE MOGU DA BUDU POSLEDICA NEPRAVILNE UGRADNJE ILI NEKOREKTOG RADA SISTEMA U CELINI.

