



CALORIFIERS, THERMAL STORAGE & HEATING COMPONENTS

CATALOGUE
2017 - 2018

Cordivari company has a proven industrial tradition and is now one of the most important manufacturers in the heating and plumbing industry in Italy.

Founded in 1972 by Ercole Cordivari, the company is producing calorifiers, thermal storage and heating components, solar thermal systems, compressed air receivers, design radiators, chimney flues and food containers. Cordivari plants are situated on an area of 280.000 square meters and employ more than 450 employees.

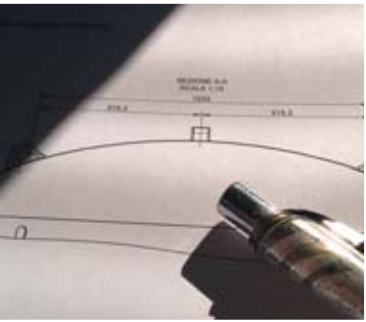
Thanks to its development strategies, all addressed to the new technologies and to the training of new human resources, Cordivari is equipped with modern structures and advanced production processes. All the products are designed and produced in Italy and the technological, ergonomic and ecological choices allow to work respecting the human being and its environment. UNI EN ISO 14001:2015 environment managing systems and UNI EN ISO 9001 Quality system are perfectly integrated to grant and ensure company's main goals and values.

The highly qualified management, the constant research for innovative solutions and the extremely customer-oriented company policy stand for the leading market position and the exclusive know-how in the field of integrated heating systems that the Cordivari group has acquired.

All this is the result of a continuous commitment to achieving Customer Satisfaction.



Cav. Ercole Cordivari



Technologies for wellness

Development, design and innovation studies are key points in Cordivari production process. Each proposed solution conveys technical reliability, design, ergonomics, ease of use and installation. The continuous development of our product offer, wants to witness the company's attention to the market needs. Similarly, the research and development of new solutions follows the trends of an efficiency and energy savings oriented market.

The different phases of production are in perfect harmony with the best techniques for industrial automation, robotics and advanced craftsmanship. Every product undergoes several times during the production stages, a rigorous control, manual and visual.

Cordivari products meet the most important certifications, such as the PED (Pressure Equipment Directive) and the Directive 2009/125/CE (ErP – eco-friendly planning regulations) in compliance with the cylinders and other pressure vessels manufactured. All items for Domestic Hot Water storage are certified for drinkable water use in accordance with the strictest Italian and foreign regulations (SSICA, Attestation ACS, DVGW W270, UBA, WRAS).

In Cordivari quality care and attention to the environment has always been home. In fact we were the first company of the heating sector to obtain the certification according to UNI EN ISO 9001 integrated with environmental management certification UNI EN ISO 14001: 2015. This production philosophy, which is now a way of life for us, means reduction of emissions and energy inefficiencies, waste reduction and recycling over 60% and allows us to operate in a sustainable and environmentally friendly way, using clean energy from renewable sources, using only eco-friendly materials from raw materials to packaging.

CERTIFICATIONS



Quality systems
certified UNI EN ISO
9001



Environment
certification UNI EN
ISO 14001:2015



TÜV Rheinland Energie und Umwelt GmbH states that test procedures and Cordivari LAB are certified conforming to European standard EN 15332, as indicated by Ecodesign ErP Directive.

CORDIVARI Lab



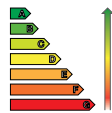
PRODUCT CERTIFICATIONS



Italian Stainless Steel
Association



2014/68/UE
2014/29/CE



ErP

Products in conformity
to EUP Directive
Energy Using
Products-2009/125/UE



POLITECNICO DI MILANO
Dipartimento di Energia
RELAB- Renewable Heating and Cooling LAB

CERTIFICATES OF CONFORMITY



Internal treatment for food use
Polywarm® in accordance with
D.M. nr. 174 del 06/04/2004
granted by SSICA Laboratory of
Parma - Italy.



D.H.W. Certification
(Attestation de Conformité
Sanitaire) granted by
CARSO – Laboratoire Santé
Environnement Hygiène De
Lyon about Polywarm® anti-
corrosion treatment

DVGW W270

UBA KTW

on Polywarm® internal
coating



Water Regulation Advisory
Scheme certificate



Domestic Hot Water production (D.H.W.)



Heating Water Production



STOCK AVAILABILITY
Grey highlighted products are available in stock and can be dispatched in 1-5 working days.

GUIDE WHEN CHOOSING A CALORIFIER

A calorifier is an indirect water heating appliance (i.e. one that features at least one heat exchanger) which accumulates heat so as to handle consumption rates that may vary greatly over a period of time, while also limiting the power used by the generators.

Cordivari offers a wide and varied range of calorifiers, thermal storage and heating components, to provide the most suitable product to any need and also allow simultaneous use of more energy sources.



Calorifiers with traditional boilers:

These products are designed for use with conventional boilers which use water as a heating medium in a sealed or open expansion circuit. The heat exchangers are designed to handle high flow rates on the primary side to ensure that the heat transfer will be efficient while at the same time avoiding excessively low return water temperatures.



Calorifiers with biomass boilers:

The selection of a calorifier while operating in conjunction with a biomass boiler must take account of fact that excessively low return water temperatures could reduce the lifespan of the boiler. In addition, a calorifier with a larger accumulation volume than normal will be more suitable as it will act as a buffer which will be beneficial to the biomass boiler.



Calorifiers with condensing boilers:

Condensing boilers are highly efficient and ecologically friendly. They operate at optimum performance when the flow water temperature is limited which results in the return water temperature being as low as possible. This will ensure that the latent heat is extracted out of the combustion products which will maximise the efficiency of the system.



Calorifiers with solar systems:

The heat exchange coil surface area is a critical issue when interfacing solar thermal systems with calorifiers due to limited primary flow rates and temperatures. The calorifier must also be capable of acting as a buffer to harness the solar energy throughout daylight hours.



Calorifiers with heat pumps:

Calorifiers operating in conjunction with air-to-water or water-to-water heat pumps must have extremely oversized heat exchange surface areas to ensure that heat exchange will take place even when there is a limited difference in temperature between the primary circuit and secondary stored water. This will maximise the COP (coefficient of performance) of the heat pump.



Calorifiers with steam boilers:

The use of saturated steam as a heating medium to produce domestic hot water, although little used in the housing sector, is a solution which is still employed in industrial environments where the steam is already in use for the manufacturing process. Technically speaking, steam calorifiers are characterized by relatively small heat exchangers, as on one hand the steam gives high heat exchange coefficients and on the other hand the exchangers usually operate with considerable differences in temperature between the primary and secondary circuits. The use of steam demands a more stringent safety regime than the use of low pressure hot water systems as steam boilers, depending on their capacity and design pressures, are classified as higher risk and therefore must comply with the European Pressure Equipment Directive.



Calorifiers operating with more than one energy source

The demand to heat a calorifier using more than one energy source, while at the same time keeping the various circuits separate, has become much more common in recent times with the advent of renewable technologies which usually need to be backed-up with conventional boilers. In these cases, calorifiers with a number of heat exchangers are used with the design ensuring that excellent thermal stratification will be achieved with minimal interference between the various heat sources.



Calorifiers operating with renewable energies

D.H.W. production system connected to renewable energies, exploiting natural resources coming from air, water and ground.



Calorifiers operating with electrical power

Cordivari products designed for working with electricity can be connected to A/C power supply. Combined with a renewable energy power supply system (fotovoltaica, wind energy, and so on), it allows to have an environmental friendly system.

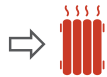


Domestic hot water production (D.H.W.)

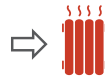
GUIDE WHEN CHOOSING STORAGE TANKS

A storage tank is a well insulated tank that is inserted in heating systems powered by a biomass generator. It has the dual function of allowing the generator to operate in a regular manner, restricting the number of stoppages, and of creating a thermal stabiliser for the heating system, thus improving working comfort considerably.

Cordivari offers a wide range of storage tanks, which include both standard versions and a number of combined versions to be used as a single appliance, acting both as a storage tank and to produce domestic hot water.



Central heating systems with one or more boilers which are plumbed together and do not generate domestic hot water.



Central heating systems with one or more boilers which are plumbed together in conjunction with solar power which is connected to either one or two coil type heat exchangers. Domestic hot water is not generated in these tanks.



Heating systems with one or more sources hydraulically divided, with the exploitation of the solar power and without DHW production. These are heating systems powered by a biomass generator or more generators that are hydraulically divided. The preparation of the DHW is done without involving the hot water storage tank.



Combined central heating system and domestic hot water production with one or more boilers which are plumbed together.



Combined central heating system and domestic hot water production with one or more boilers which are plumbed together.



Combined central heating system and domestic hot water production with one or more boilers which are plumbed together.

NEW BOLLY ERP A CLASS



Bolly calorifiers with A energy efficiency class synthesize performance and efficiency being at the top of the energetic class with excellent performances in DWH production and energy saving.

These tanks for DWH preparation are expressly conceived for installations and latest generation buildings and for all those who wish to achieve the best performances both with any traditional or renewable energetic source or heat generator. This new range of BOLLY A CLASS is available with one or two fixed heat exchangers with capacity from 200 up to 500lt.

The reliability and versatility are key aspects that always have distinguished the Bolly range and are now enhanced by the lowest thermal dispersions envisioned by existing norm 2009/125/CE ErP Ecodesign, consolidating their lead role in the market.

NEW PLATE HEAT EXCHANGER

Cordivari plate heat exchangers, are offering now an even more complete range of solutions for domestic, residential and commercial applications.

A wide and flexible proposal, both for brazed exchangers of small dimensions, or plate-to-plate exchangers for a greater heat exchange.

New range of exchangers, thanks to various dimensions and types, to connections from DN32 to DN100, to different and extended working pressure limits, allows to meet any plant requirements or plumbing need.

From small single-family house sourced by boiler or pellet stove, to big plants, every installation finds today the most suitable Cordivari solutions thanks to the new on-line professional dimensioning tool where you can always find the best performing solution and the most economical as well.



NEW MACS MODULES

The new MACS® electronic modules are used for instant production of DWH with demanding flow rates.

Cordivari proposes the new cascade-system MACS® module, with batteries of modules (from 2 to 3) managed through an intelligent electronic control unit.

Thanks to the electronic management the desired DWH will be produced in a constant and instantaneous way, regardless any peak in demand of it.

The new electronic device unit is also able to control a recirculation circuit and anti-legionella cycles via thermal shock.

With the new MACS® cascade systems the comfort and high performance will be always guaranteed in case of complex applications with important demand.



WELLNESS

and **SAVING**

Solutions for your Home



RADIATORS AND TOWEL RAILS



WATER TANKS



SOLAR THERMAL SYSTEMS



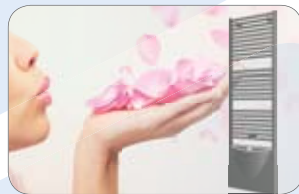
CALORIFIERS AND BUFFER TANKS



CORDIVARI DESIGN RADIATORS



FOOD CONTAINERS



HIGH EFFICIENCY RADIATORS



CHIMNEY PIPES





CORDIVARI Lab

CERTIFIED QUALITY

CHOOSE SERENITY



Today, more than ever, who choose Cordivari products choose to be peaceful!

By introducing the new Ecodesign ErP standards, we choose to offer you guaranteed performances and reliability.

The construction of the new building Cordivari LAB is the result of this choice. As from 2015, the company is equipped with a laboratory and an advanced test room which allow to test any product or system, measuring and certifying its performances. Thanks to its strict procedures, conformed to European standards, and sophisticated tools, nowadays Cordivari is the only Italian manufacturer able to carry out accurate tests

on every product in its own laboratory. As a consequence, research and development on performance and energy efficiency are always running towards the best solutions, in order to guarantee you reliability, savings and high results. Cordivari LAB is the only qualified laboratory inside a manufacturing company, approved by the TÜV.

Choose to be safe with certified quality!

CORDIVARI Lab

PROVA DI TIPO

VERIFICA DISPERSIONE TERMICA AI FINI DELL'ETICHETTATURA ENERGETICA PREVISTA DAL REGOLAMENTO (UE) N. 812/2013 DELLA COMMISSIONE DEL 2 AGOSTO 2013 IN MATERIA MODALITÀ DI APPLICAZIONE DELLA DIRETTIVA 2002/91/CE DEL PARLAMENTO EUROPEO E DEL CONSIGLIO IN MERITO ALLE SPECIFICHE PER LA PROGETTAZIONE ECOCOMPATIBILE DEGLI SCALDABUOI E DEI SERBATOI PER L'ACQUA CALDA.

RAPPORTO DI PROVA	
Esponente di prova n°	0000000000
Modello	0000000000
Tipologia di prova	0000000000
Localizzazione	0000000000
Condizioni di prova	0000000000
Scopo della prova	0000000000
Descrizione dell'oggetto in prova	0000000000
Metodo	0000000000
Colonna	0000000000
Condizioni	0000000000
Nota	0000000000
Nota per il consumatore	0000000000
Autore della prova	0000000000

Questo rapporto non può essere riprodotto, né reso integro, senza l'autorizzazione del laboratorio di prova che lo ha emesso. Il presente rapporto è valido solo per il sistema di prova e l'obiettivo specificato nell'oggetto stesso. Cordivari Lab non assume nessuna responsabilità per errori derivanti dall'interpretazione del dato del presente documento riprodotto al di fuori del suo contesto.



EXAMPLE OF LABEL FOR TANK WITH HEAT PUMP

Manufacturer - Model name

DHW - Load profile

Energy efficiency class

Sound power level

Consumption in different climatic levels per year

EXAMPLE OF LABEL FOR TANK/MULTI-HEAT ENERGY BUFFERS

Manufacturer - Model name

Hot water tank

Energy efficiency class

Heat Loss

Net volume

HOT WATER

EXTRA- BOLLY® CALORIFIERS

AIR SOURCE HEAT PUMP CALORIFIERS BOLLYTERM®

316L STAINLESS STEEL CALORIFIERS

CALORIFIERS FOR HEAT PUMP

BUFFER TANKS - MULTIFUEL ENERGY CYLINDERS

HYDRONIC

COLD/HOT WATER

INERTIAL TANKS

PRESSURE VESSEL

AIR

COMPRESSED AIR RECEIVERS

ACCESSORIES AND SPARE PARTS

TECHNICAL SUPPORT



NEW
A



PAGE 10



NEW

PAGE 100



PAGE 110



PAGE 140



NEW

PAGE 166



NEW



PAGE 222



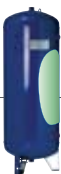
NEW



PAGE 256



PAGE 268



PAGE 278



PAGE 284



PAGE 298

CALORIFIERS



EXTRA-BOLLY®
CALORIFIERS

BOLLYTERM®
CALORIFIERS

STAINLESS STEEL
CALORIFIERS

CALORIFIERS FOR
HEAT PUMP

MULTIFUEL ENERGY
CYLINDERS - PUFFER

HYDRONIC

INERTIAL
TANKS

WATER PRESSURE
TANKS

COMPRESSED AIR
RECEIVERS

ACCESSORIES
AND SPARE PARTS

TECHNICAL
SUPPORT

EXTRA CALORIFIERS RANGE



EXTRA



EXTRA Compact



EXTRA Horizontal

Heat exchanger model	316L STAINLESS STEEL extractable heat exchanger		
Number of heat exchangers			
Energy source			
Energy efficiency class	C	C	C
Insulation	- Polyurethane hard foam - Dismountable polyester fleece	- Dismountable polyester fleece	- Dismountable polyester fleece
Available range	200 ÷ 5000	1500 ÷ 4000	200 ÷ 5000
Installation	floor standing	floor standing	floor standing
Suggested Application	Traditional and solar installations	Traditional and solar installations with reduced height	Traditional and solar installations



EXTRA-BOLLY
CALORIFIERS

BOLLYTERM®
CALORIFIERS

STAINLESS STEEL
CALORIFIERS

CALORIFIERS FOR
HEAT PUMP

MULTIFUEL ENERGY
CYLINDERS - PUFFER

HYDRONIC

INERTIAL
TANKS

WATER PRESSURE
TANKS

COMPRESSED AIR
RECEIVERS

ACCESSORIES
AND SPARE PARTS

TECHNICAL
SUPPORT



EXTRA Vapore



EXTRA Plus



Piastraterm®



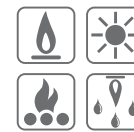
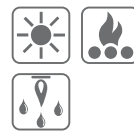
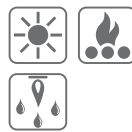
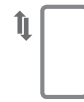
VASO Inerziale

316L STAINLESS STEEL
extractable
straight heat exchanger

Extractable straight double spiral
copper finned
heat exchangers

316L STAINLESS STEEL
braze-welded plate heat
exchangers

with blind flange plate



C

C

C

C

- Polyurethane hard foam
- Dismountable polyester fleece

- Polyurethane hard foam
- Dismountable polyester fleece

- Polyurethane hard foam

- Polyurethane hard foam
- Dismountable polyester fleece

500 ÷ 5000

200 ÷ 5000

200 ÷ 2000

200 ÷ 5000

floor standing

floor standing

floor standing

floor standing

Industrial installations/
installations with steam
generators

Solar, biomass and
condensation installations

Solar, biomass and
condensation installations

Traditional, solar, biomass and
condensation installations

EXTRA1

POLYWARM® COATED CALORIFIERS WITH 1 STAINLESS STEEL EXTRACTABLE HEAT EXCHANGER



APPLICATION

Production and storage of domestic hot water.

MATERIAL

Mild steel Polywarm® coated (Attestation ACS - SSICA - DVGW - W270 - UBA - WRAS)

HEAT EXCHANGER

316L Stainless Steel Antilegionella® heat exchanger, with tubes bent to the bottom

INSULATION

- HARD: High thermal insulation with ecological polyurethane hard foam.
- SOFT: NOFIRE® polyester fleece 100% made of recyclable material, with high thermal insulation. Fire resistance class B-s2d0 according to EN 13501.

Grey PVC external lining complete with top and flange cover

CATHODE PROTECTION

Magnesium anode. Models > 1500 n° 2 magnesium anode.

DRAIN

External confluence through drain connection.

Models > 1000 external confluence through drain pipe.

GASKET- FLANGE PLATE

Silicone gaskets suitable for alimentary use for max temperature up to 200°C. Mild steel exchanger head with anticorrosion treatment.

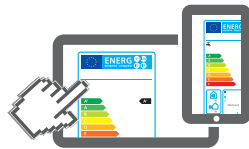
WARRANTY

5 years - See general sales conditions and warranty

ACCESSORIES AND SPARE PARTS : See Accessories section for the entire list.



HARD FOAM INSULATION



www.cordivari.com/erp

On line ErP label tool

SOFT FLEECE INSULATION



EXTRA 1 WXB

Model	HARD FOAM insulation		ENERGY EFFICIENCY CLASS
	Art. Nr.	[m²]	
200	3072162360122	0,5	C
300	3072162360123	0,75	C
500	3072162360124	1	C
800	3072162360125	1,5	C
1000	3072162360126	2	C
1500	3072162360127	3	C
2000	3072162360128	4	C

EXTRA 1 WXC

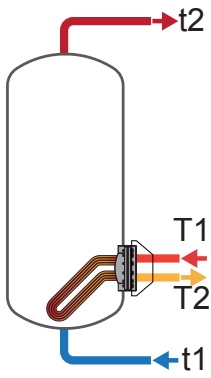
Model	DISMOUNTABLE SOFT FLEECE insulation		ENERGY EFFICIENCY CLASS
	Art. Nr.	[m²]	
500	3072162360134	1	C
800	3072162360135	1,5	C
1000	3072162360136	2	C
1500	3072162360137	3	C
2000	3072162360138	4	C
2500	3072162360113	5	
3000	3072162360109	6	
4000	3072162360110	8	
5000	3072162360112	10	

ELECTRICAL IMMERSION HEATERS

Mod.	Volume of water heated by the electrical immersion [lt]	MONOPHASE			THREEPHASE					
		1,5 kW	2 kW	3 kW	4 kW	5 kW	6 kW	9 kW	12 kW	
		5240000000051	5240000000052	5240000000053	5240000000047	5240000000048	5240000000049	5240000000050	5240000000031	
		Ignition time from 10 °C to 45 °C with immersion heaters [min]								
200	49	87	65	44	//	//	//	//	//	
300	76	136	102	68	//	//	//	//	//	
500	127	228	171	114	//	//	//	//	//	
800	178	318	239	159	//	//	//	//	//	
1000	243	436	327	218	163	131	109	73	54	
1500	288	516	387	258	194	155	129	86	65	
2000	443	793	595	396	297	238	198	132	99	
2500	577	1033	775	517	387	310	258	172	129	
3000	577	1033	775	517	387	310	258	172	129	
4000	797	1428	1071	714	535	428	357	238	178	
5000	1040	1864	1398	932	699	559	466	311	233	

EXTRA1 - HEAT EXCHANGERS TECHNICAL DATA

Cordivari heat exchangers, with tubes bent to the bottom, are able to heat the complete quantity of volume in an homogeneous way. Energy storing is therefore improved and Ignition time data have to be referred to the complete volume of the tank, while in traditional straight heat exchangers equipped calorifires, a range between 9-17% of volume remains cold.



CURVED HEAT EXCHANGERS

Model	Ignition time (minutes) from 10 °C to t2 and primary at T1				Maximum power exchange (kW) with primary at T1, secondary within 10-45 °C and constant use of DHW production				DHW continuous production lt/h within 10-45 °C and primary at T1			
	T1/t2				T1				T1			
	55/50	65/60	70/60	80/60	55	65	70	80	55	65	70	80
200	113	113	77	49	7,3	11,5	13,7	18	178	283	338	455
	147	148	102	65	5,8	8,9	10,5	13,9	141	218	258	344
300	112	113	76	48	11,1	17	21	28	274	435	520	701
	145	146	102	65	8,9	13,8	16,3	21,6	219	339	402	534
500	139	140	96	60	15	23,8	28,5	38	369	587	702	947
	180	181	125	80	12,1	18,7	22,1	29,4	297	460	545	725
800	146	147	101	64	23	36	44	59	570	908	1087	1465
	186	188	130	83	18	29	34	46	465	721	854	1136
1000	128	128	86	54	33	53	63	86	814	1309	1571	2127
	157	157	107,9	69	27	43	51	69	687	1077	1281	1711
1500	120	119	82	51	51	81	98	133	1256	2022	2428	3290
	145	146	100	64	44	68	81	108	1075	1687	2008	2684
2000	121	122	83	52	69	111	133	180	1699	2738	3288	4453
	146	147	101	65	59	93	111	148	1465	2302	2741	3665
2500	118	119	81	51	84	134	160	216	2066	3309	3964	5352
	145	146	101	65	71	111	131	174	1755	2734	3244	4314
3000	128	127	87	55	100	159	190	255	2461	3926	4694	6321
	456	457	310	70	84	130	154	204	2082	3224	3817	5053
4000	126	127	87	56	131	207	247	330	3236	5121	6105	8168
	159	161	112	73	110	168	198	260	2718	4151	4903	6443
5000	137	138	96	61	162	253	301	401	3992	6270	7450	9921
	176	179	125	82	135	204	239	312	3332	5049	5923	7727

PRESSURE LOSS - CURVED HEAT EXCHANGERS



Chart for surfaces of: 0,5 m² / 0,75 m² / 1 m²

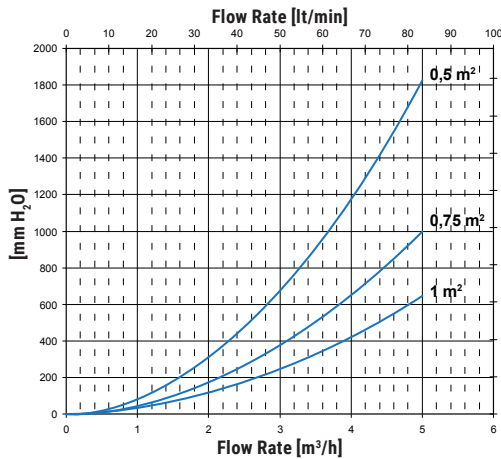
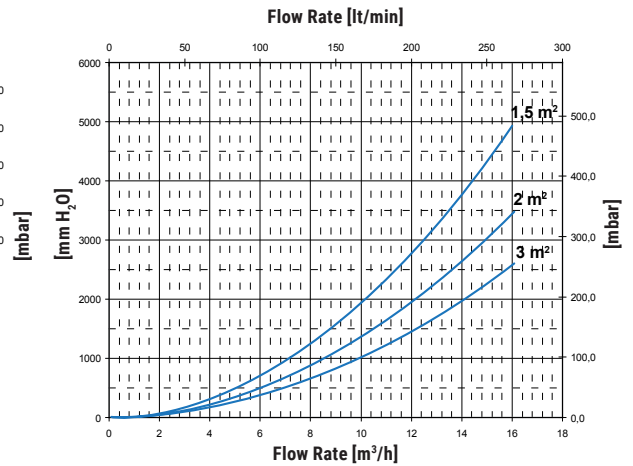


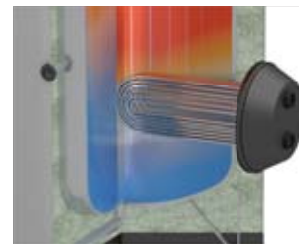
Chart for surfaces of: 1,5 m² / 2 m² / 3 m²



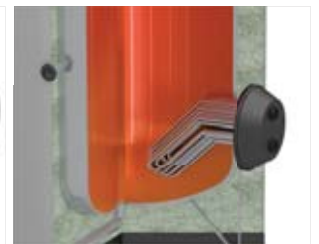
INCREASED STORAGE CAPACITY OF CURVED ANTELEGIONELLA® HEAT EXCHANGER



Model	Storage volume: Standard heat exchanger	Storage volume: Heat exchanger for 100% heated volume	Advantage in stored volume	Advantage in percentage
	[litres]	[litres]	[litres]	[%]
200	165	190	25	13%
300	251	285	34	12%
500	438	485	47	10%
800	694	790	96	12%
1000	907	995	88	9%



STANDARD HEAT EXCHANGER



100% VOLUME HEATED WITH Antilegionella® HEAT EXCHANGERS

Data have been calculated on following basis:

- 1) Primary circuit at T1 and proper energy source;
- 2) Production of DHW in continue way from 10 °C at t2;
- 3) DHW that can be taken in the first 10' and in the first hour from storage at 60°C, input 10°C and output 45°C;
- 4) Sanitary water according to UNI CTI 8065.

DHW produced in the first 10 minutes in lt/10'				DHW produced in the first hour in lt/60'				Flow rate	Exchanger pressure loss	
input 10 °C output 45 °C, storage at t2 and primary at T1				input 10 °C output 45 °C, storage at t2 and primary at T1					[m³/h]	[mm.H₂O]
T1/t2				T1/t2						
55/50	65/60	70/60	80/60	55/50	65/60	70/60	80/60			
247	319	328	347	360	498	542	635	2	309	30,3
241	308	314	329	330	446	478	547	1	84,74	8,3
371	480	494	524	545	755	823	968	3	372	36,5
362	464	474	496	501	678	729	834	1,5	101,02	9,9
616	791	810	851	849	1162	1254	1450	4	419	41,1
604	770	784	814	792	1061	1129	1273	2	113,381	11,1
998	1280	1310	1373	1359	1855	1998	2301	6	718	70,4
980	1249	1271	1318	1275	1705	1812	2037	3	189,22	18,6
1273	1640	1683	1776	1788	2469	2678	3123	10	1380	135,3
1252	1601	1635	1707	1687	2283	2446	2790	5	358,5	35,2
1855	2394	2462	2605	2651	3675	4000	4689	15	2295	225,1
1825	2338	2392	2504	2506	3407	3664	4204	7,5	589,6	57,8
2546	3285	3377	3571	3622	5019	5459	6391	20	2996	293,8
2507	3212	3285	3439	3435	4670	5021	5761	10	766,42	75,2
2988	3856	3965	4196	4296	5951	6475	7586	20	2436	238,9
2936	3760	3845	4023	4047	5491	5899	6755	10	624	61,2
3748	4827	4955	5226	5307	7314	7928	9230	20	2836	278,1
3685	4710	4809	5015	5004	6752	7226	8215	10	723	70,9
4842	6232	6396	6740	6892	9475	10263	11913	20	3896	382,1
4756	6070	6196	6452	6477	8699	9301	10533	10	989	97,0
6362	8166	8363	8775	8891	12137	13081	15058	20	4707	461,6
6252	7963	8109	8409	8363	11161	11860	13303	10	1192	116,9

Chart for surfaces of: 4 m² / 5 m² / 6 m²

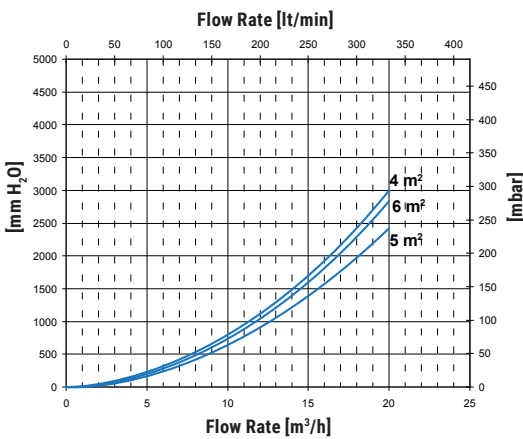
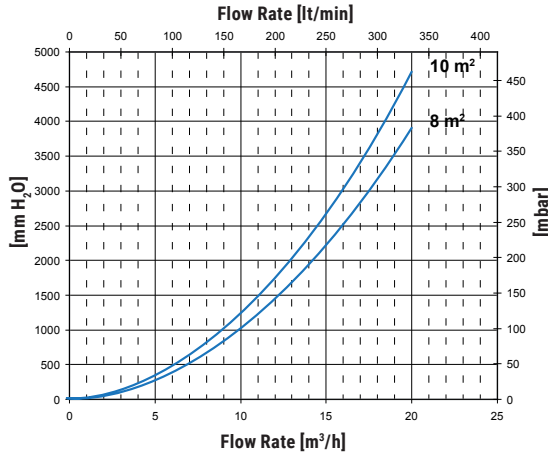


Chart for surfaces of: 8 m² / 10 m²

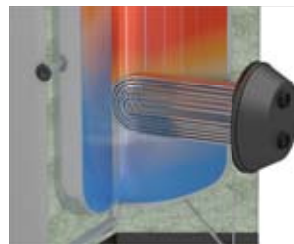


Heat exchanger surface [m²]

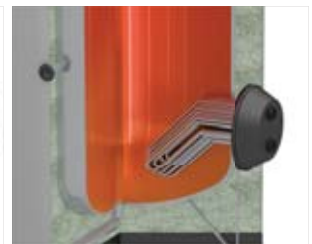
200	0,5
300	0,75
500	1
800	1,5
1000	2
1500	3
2000	4
2500	5
3000	6
4000	8
5000	10



Model	Storage volume: Standard heat exchanger	Storage volume: Heat exchanger for 100% heated volume	Advantage in stored volume	Advantage in percentage
	[litres]	[litres]	[litres]	[%]
1500	1224	1445	221	15%
2000	1684	1978	294	15%
2500	1905	2315	410	18%
3000	2438	2921	483	17%
4000	3113	3769	656	17%
5000	4116	4982	866	17%



STANDARD HEAT EXCHANGER



100% VOLUME HEATED WITH ANTILEGIONELLA® HEAT EXCHANGERS

EXTRA1 COMPACT

POLYWARM® COATED CALORIFIERS WITH 1 STAINLESS STEEL EXTRACTABLE HEAT EXCHANGER



APPLICATION

Production and storage of domestic hot water, suitable for low-ceilinged rooms

MATERIAL

Mild steel Polywarm® coated (Attestation ACS - SSICA - DVGW - W270 - UBA - WRAS)

HEAT EXCHANGER

316L Stainless Steel Antilegionella® heat exchanger, with tubes bent to the bottom

INSULATION (DISMOUNTABLE)

NOFIRE® polyester fleece 100% made of recyclable material, with high thermal insulation. Fire resistance class B-s2d0 according to EN 13501. Grey PVC external lining.

CATHODE PROTECTION

2 magnesium anodes.

DRAIN

External confluence through drain connection.

GASKET- FLANGE PLATE

Silicone gaskets suitable for alimentary use for max temperature up to 200°C. Mild steel exchanger head with anticorrosion treatment.

WARRANTY

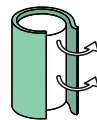
5 years - See general sales conditions and warranty

ACCESSORIES AND SPARE PARTS

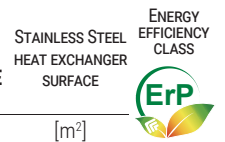
See Accessories section for the entire list.



SOFT FLEECE INSULATION

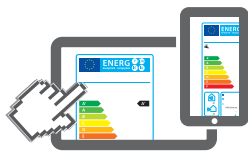


EXTRA 1 COMPACT WXC



DISMOUNTABLE SOFT FLEECE insulation

Model	Art. Nr.	Price €	[m ²]	ErP Class
1500	3072162360537	4.023,00	3	C
2000	3072162360538	5.380,00	4	C
2500	3072162360513	6.561,00	5	
3000	3072162360509	7.132,00	6	
4000	3072162360510	8.646,00	8	



www.cordivari.com/erp

On line ErP label tool

ELECTRICAL IMMERSION HEATERS

Mod.	Volume of water heated by the electrical immersion [lit]	MONOPHASE			THREEPHASE					
		1,5 kW	2 kW	3 kW	4 kW	5 kW	6 kW	9 kW	12 kW	
		5240000000051	5240000000052	5240000000053	5240000000047	5240000000048	5240000000049	5240000000050	5240000000031	
		€ 247,00	€ 249,00	€ 251,00	€ 348,00	€ 351,00	€ 352,00	€ 361,00	€ 481,00	
		Ignition time from 10 °C to 45 °C with immersion heaters [min]								
1500	443	793	595	396	297	238	198	132	99	
2000	577	1033	775	517	387	310	258	172	129	
2500	797	1428	1071	714	535	428	357	238	178	
3000	874	1565	1173	782	587	469	391	261	196	
4000	924	1655	1241	828	621	497	414	276	207	

— Accessories on request —

“Easy Control” Electronic Display

ART. NR.	€	FOR MODELS
5005000310002	455,00	WXC



Thermometer

Art. Nr.	€
5032240000107	84,00



Titanium electronic anode

Art. Nr.	€	Model
5200000000011	319,00	1500
5200000000013	571,00	2000÷4000

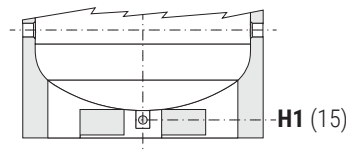
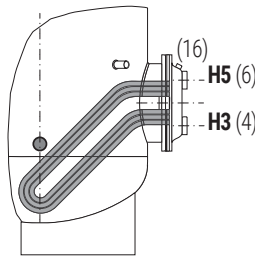
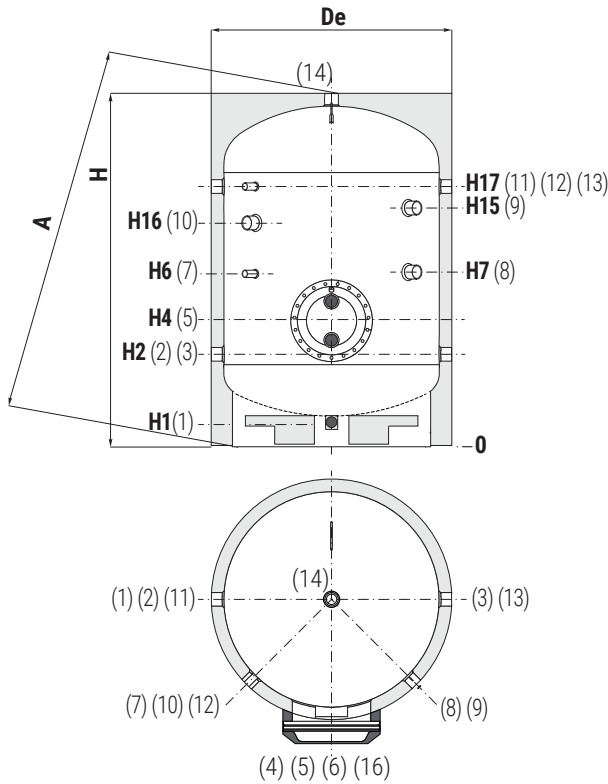
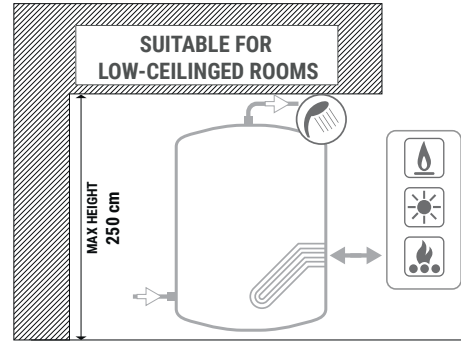


EXTRA1 COMPACT

POLYWARM® COATED CALORIFIERS WITH 1 STAINLESS STEEL EXTRACTABLE HEAT EXCHANGER

STORAGE		HEAT EXCHANGER	
P _{max}	T _{max}	P _{max}	T _{max}
6 bar	90 °C	12 bar	110 °C

CORDIVARI Lab
TÜV Rheinland Energie und Umwelt GmbH states that test procedures and Cordivari LAB are certified conforming to European standard EN 15332, as indicated by Ecodesign ErP Directive.



- | | |
|----|--|
| 1 | Drain 1" Gas F |
| 2 | Domestic cold water circuit inlet |
| 3 | Alternative domestic cold water circuit inlet or connection for more boilers |
| 4 | Primary circuit outlet |
| 5 | Heat exchanger flange |
| 6 | Primary circuit inlet |
| 7 | Connection for instrumentation 1/2" Gas F |
| 8 | Connection for magnesium anode 1"1/4 Gas F |
| 9 | Connection for 2 nd anode 1"1/4 Gas F (only for models > 1500) |
| 10 | Connection for electrical immersion |
| 11 | Connection for recirculation or for domestic hot water |
| 13 | Connection for instrumentation 1/2" Gas F |
| 12 | Connection for instrumentation 1/2" Gas F |
| 14 | Domestic hot water outlet 2" Gas F |
| 16 | Heat exchanger air purge 3/8" Gas F |

P.E.D. product designed and produced in conformity to the article 4.3 of directive 2014/68/UE - ErP Ecodesign directive 2009/125/CE

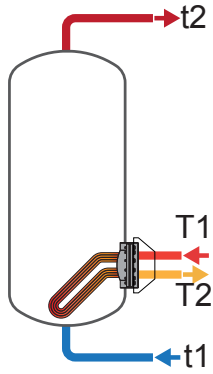
Model	Volume	Weight	De	H	A	H1	H2	H3	H4	H5
	[lt]	[kg]								
1500	1509	221	1360	1992	2094	91	467	602	692	782
2000	2012	300	1510	2111	2241	140	551	671	776	881
2500	2627	393	1500	2125	2353	114	570	690	795	900
3000	3029	472	1600	2140	2400	109	575	695	800	905
4000	3990	565	1700	2415	2668	94	580	730	835	940

Model	H6	H7	H15	H16	H17	5	2-3 11-13	4-6	7-12	8	9
	[mm]						Connections Gas F				
1500	867	942	//	1377	1557	Øe 380	2"	2"	1/2"	1"1/4	//
2000	951	976	1566	1482	1641	Øe 430	2"	2"	1/2"	1"1/4	1"1/4
2500	970	975	1585	1488	1660	Øe 430	2"	2"	1/2"	1"1/4	1"1/4
3000	975	980	1600	1520	1675	Øe 430	2"	2"	1/2"	1"1/4	1"1/4
4000	1010	1015	1855	1765	1920	Øe 430	2"	2"	1/2"	1"1/4	1"1/4

EXTRA-BOLLY® CALORIFIERS
BOLLYTERM® CALORIFIERS
STAINLESS STEEL CALORIFIERS
CALORIFIERS FOR HEAT PUMP
MULTIFUEL ENERGY CYLINDERS - PUFFER
HYDRONIC
INERTIAL TANKS
WATER PRESSURE TANKS
COMPRESSED AIR RECEIVERS
ACCESSORIES AND SPARE PARTS
TECHNICAL SUPPORT

EXTRA1 COMPACT- HEAT EXCHANGERS TECHNICAL DATA

Cordivari heat exchangers, with tubes bent to the bottom, are able to heat the complete quantity of volume in an homogeneous way. Energy storing is therefore improved and Ignition time data have to be referred to the complete volume of the tank, while in traditional straight heat exchangers equipped calorifires, a range between 9-17% of volume remains cold.



ANTILEGIONELLA® CURVED HEAT EXCHANGERS

Model	Ignition time (minutes) from 10 °C to t2 and primary at T1				Maximum power exchange (kW) with primary at T1, secondary within 10-45 °C and constant use of DHW production				DHW continuous production lt/h within 10-45 °C and primary at T1			
	T1/t2				T1				T1			
	55/50	65/60	70/60	80/60	55	65	70	80	55	65	70	80
1500	125	125	85	54	51	81	98	133	1256	2022	2428	3290
	152	152	105	67	44	68	81	108	1075	1687	2008	2684
2000	123	123	84	53	69	111	133	180	1699	2738	3288	4453
	148	148	103	65	59	93	111	148	1465	2302	2741	3665
2500	134	134	92	58	69	111	133	180	1699	2738	3288	4453
	164	164	114	73	59	93	111	148	1465	2302	2741	3665
3000	130	130	90	57	100	159	190	255	2461	3926	4694	6321
	162	162	113	73	84	130	154	204	2082	3224	3817	5053
4000	133	133	92	59	131	207	247	330	3236	5121	6105	8168
	170	170	119	77	110	168	198	260	2718	4151	4903	6443

PRESSURE LOSS - CURVED HEAT EXCHANGERS



Model	Heat exchanger surface [m ²]
1500	3
2000	4
2500	5
3000	6
4000	8

Chart for surfaces of: 3 m²

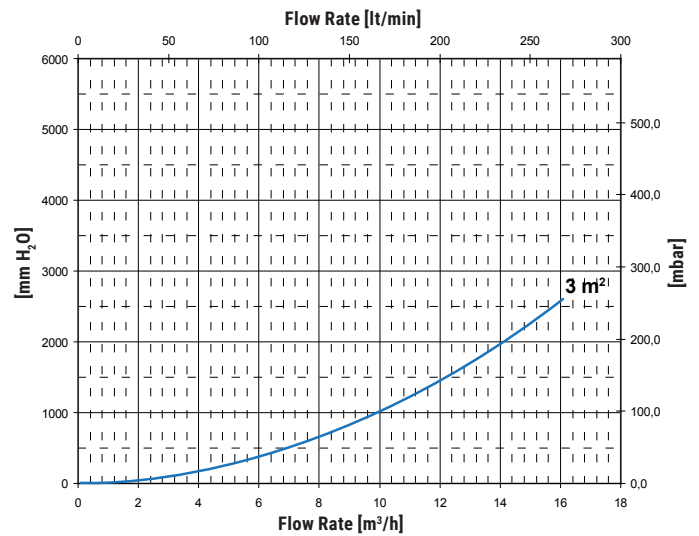


Chart for surfaces of: 4 m²

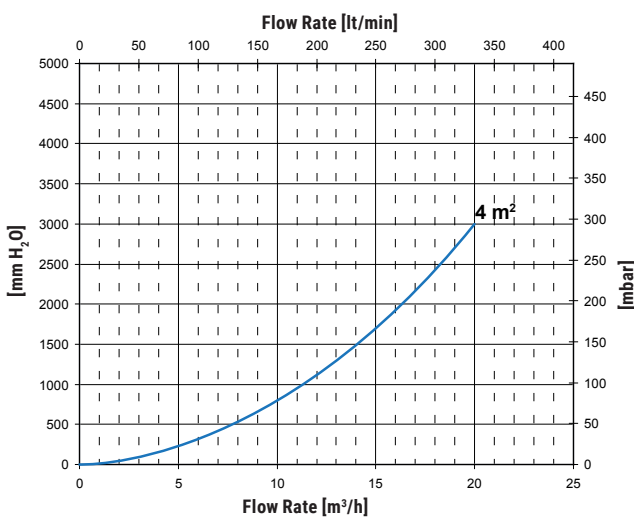
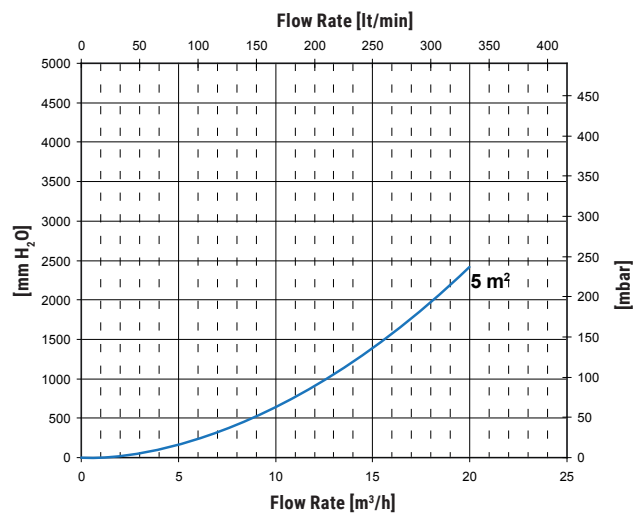


Chart for surfaces of: 5 m²



EXTRA1 COMPACT- HEAT EXCHANGERS TECHNICAL DATA

Data have been calculated on following basis:

- 1) Primary circuit at T1 and proper energy source;
- 2) Production of DHW in continue way from 10 °C at t2;
- 3) DHW that can be taken in the first 10' and in the first hour from storage at 60°C, input 10°C and output 45°C;
- 4) Sanitary water according to UNI CTI 8065.

DHW produced in the first 10 minutes in lt/10' input 10 °C output 45 °C, storage at t2 and primary at T1				DHW produced in the first hour in lt/60' input 10 °C output 45 °C, storage at t2 and primary at T1				Flow rate [m³/h]	Exchanger pressure loss	
T1/t2				T1/t2					[mm.H ₂ O]	[mbar]
55/50	65/60	70/60	80/60	55/50	65/60	70/60	80/60			
1927	2484	2552	2695	2723	3765	4090	4779	15	2295	225,1
1897	2428	2482	2594	2578	3497	3754	4294	7,5	589,6	57,8
2573	3319	3411	3605	3649	5053	5493	6425	20	2996	293,8
2534	3247	3320	3474	3462	4704	5056	5795	10	766,42	75,2
3276	4198	4289	4484	4352	5932	6372	7304	20	2436	238,9
3237	4125	4198	4352	4165	5583	5934	6673	10	624	61,2
3862	4969	5097	5368	5420	7455	8069	9371	20	2836	278,1
3798	4852	4950	5156	5117	6893	7368	8357	10	723	70,9
5090	6542	6706	7050	7140	9785	10573	12223	20	3896	382,1
5004	6380	6506	6762	6725	9009	9611	10843	10	989	97,0

PRESSURE LOSS - CURVED HEAT EXCHANGERS

Chart for surfaces of: 6 m²

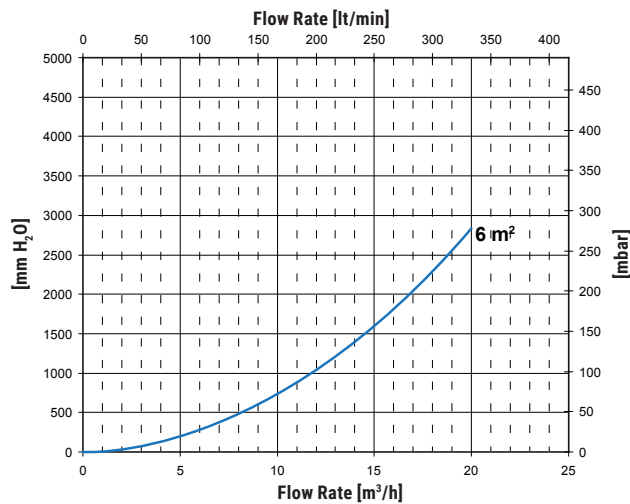
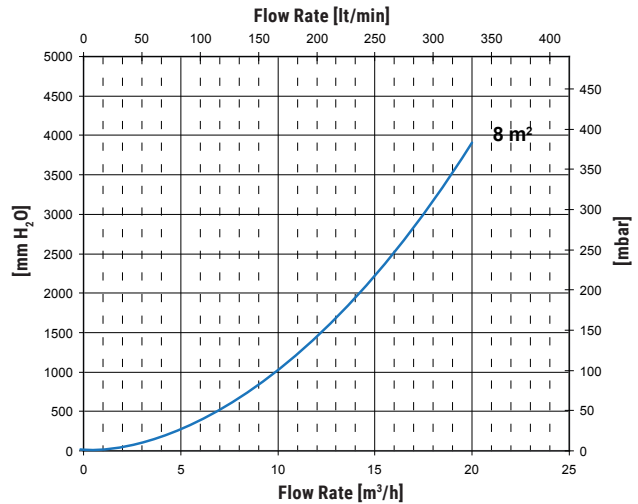


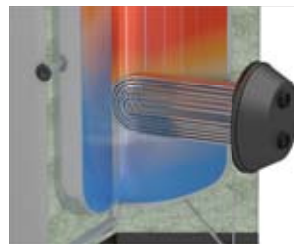
Chart for surfaces of: 8 m²



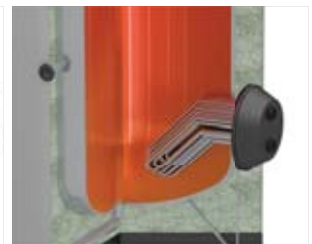
INCREASED STORAGE CAPACITY OF CURVED ANTILEGIONELLA® HEAT EXCHANGER



Model	Storage volume: Standard heat exchanger	Storage volume: Heat exchanger for 100% heated volume	Advantage in stored volume	Advantage in percentage
	[litres]	[litres]	[litres]	[%]
1500	1282	1509	227	15%
2000	1711	2012	301	15%
2500	2162	2627	465	18%
3000	2528	3029	501	18%
4000	3299	3990	691	17%



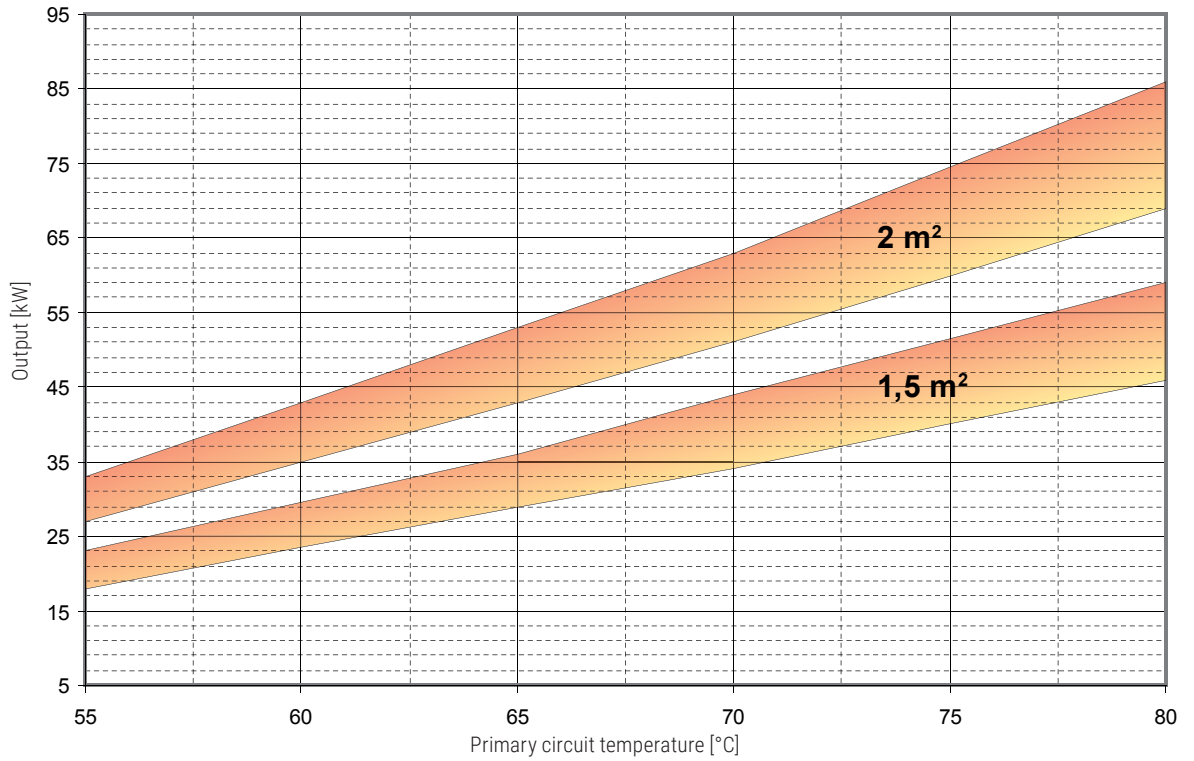
STANDARD HEAT EXCHANGER



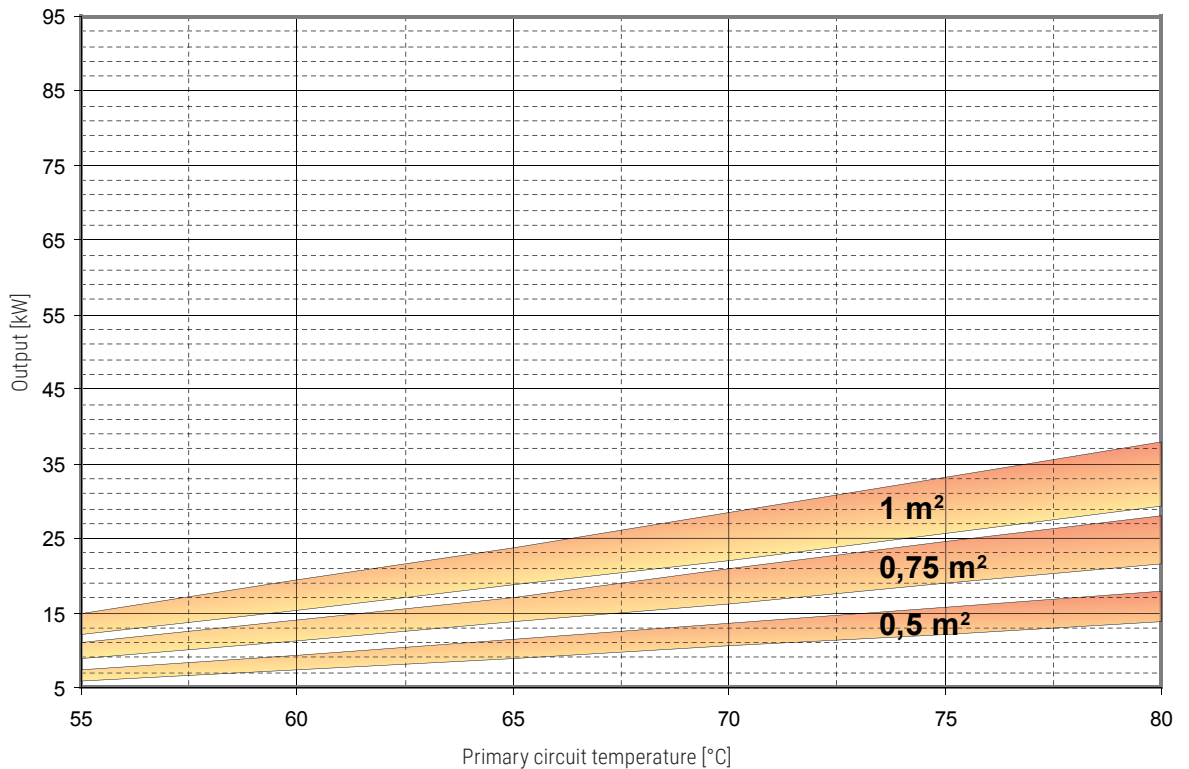
100% VOLUME HEATED WITH
ANTILEGIONELLA® HEAT EXCHANGERS

EXTRA 1 - HEAT EXCHANGERS TECHNICAL DATA

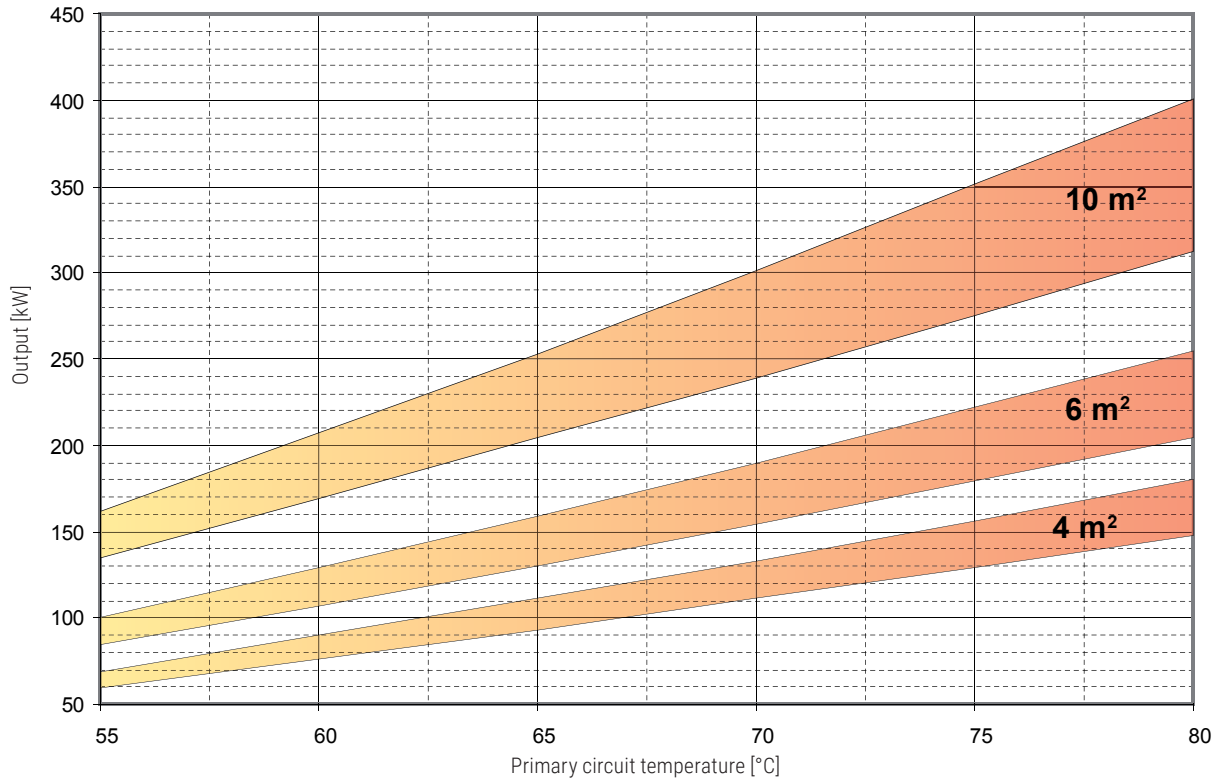
HEAT EXCHANGER OUTPUT REFERRED TO TEMPERATURE AND FLOW RATE OF PRIMARY CIRCUIT AND WITH SECONDARY AT 10/45°C AT MAXIMUM WITHDRAWAL OF PRODUCIBLE DHW (UPPER LIMIT OF THE CURVES REFERRED TO MAXIMUM PRIMARY FLOW RATE IN THE HEAT EXCHANGER, WHILE THE LOWER LIMIT IN THE CURVE REFERS TO THE MINIMUM PRIMARY FLOW RATE)



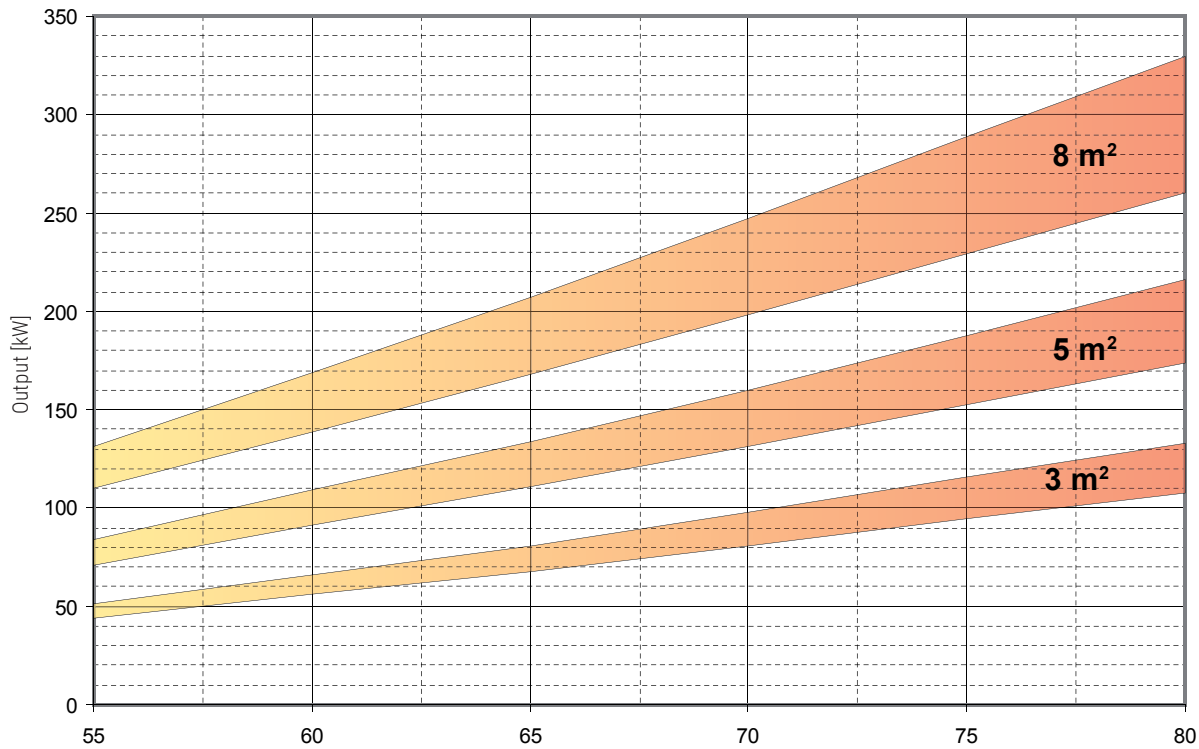
Extractable heat exchanger surface	1,5 m ²		2 m ²	
	MAX	MIN	MAX	MIN
Flow rate [m ³ /h]	6	3	10	5



Extractable heat exchanger surface	0,5 m ²		0,75 m ²		1 m ²	
	MAX	MIN	MAX	MIN	MAX	MIN
Flow rate [m ³ /h]	2	1	3	1,5	4	2



Extractable heat exchanger surface	4 m ²		6 m ²		10 m ²	
	MAX	MIN	MAX	MIN	MAX	MIN
Flow rate [m ³ /h]	20	10	20	10	20	10



Extractable heat exchanger surface	3 m ²		5 m ²		8 m ²	
	MAX	MIN	MAX	MIN	MAX	MIN
Flow rate [m ³ /h]	15	7,5	20	10	20	10



EXTRA-BOLLY[®]
CALORIFIERS

BOLLYTERM[®]
CALORIFIERS

STAINLESS STEEL
CALORIFIERS

CALORIFIERS FOR
HEAT PUMP

MULTIFUEL ENERGY
CYLINDERS - PUFFER

HYDRONIC

INERTIAL
TANKS

WATER PRESSURE
TANKS

COMPRESSED AIR
RECEIVERS

ACCESSORIES
AND SPARE PARTS

TECHNICAL
SUPPORT

EXTRA 2

POLYWARM® COATED CALORIFIERS WITH 2 STAINLESS STEEL EXTRACTABLE HEAT EXCHANGERS



APPLICATION

Production and storage of domestic hot water.

MATERIAL

Mild steel Polywarm® coated (Attestation ACS - SSICA - DVGW - W270 - UBA - WRAS)

HEAT EXCHANGER

2 316L stainless steel heat exchangers (upper: straight - lower: Antilegionella® with tubes bent to the bottom).

INSULATION

- HARD: High thermal insulation with ecological polyurethane hard foam.
- SOFT: NOFIRE® polyester fleece 100% made of recyclable material, with high thermal insulation. Fire resistance class B-s2d0 according to EN 13501.

Grey PVC external lining complete with top and flange cover

CATHODE PROTECTION

Magnesium anode. Models > 1500 n° 2 magnesium anode.

DRAIN

External confluence through drain connection.

Models > 1t 1000 external confluence through drain pipe.

GASKET- FLANGE PLATE

Silicone gaskets suitable for alimentary use for max temperature up to 200°C. Mild steel exchanger head with anticorrosion treatment.

WARRANTY

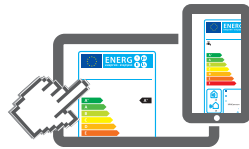
5 years - See general sales conditions and warranty

ACCESSORIES AND SPARE PARTS :

See Accessories section for the entire list.



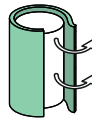
HARD FOAM INSULATION



www.cordivari.com/erp

On line ErP label tool

SOFT FLEECE INSULATION



EXTRA 2 WXB

Model	HARD FOAM insulation Art. Nr.	STAINLESS STEEL HEAT EXCHANGER SURFACE		ENERGY EFFICIENCY CLASS
		Lower	Upper	
		[m ²]		
200	3084162360001	0,5	0,5	C
300	3084162360002	0,75	0,75	C
500	3084162360003	1,5	1,5	C
800	3084162360004	2	2	C
1000	3084162360005	3	2	C
1500	3084162360006	3	3	C
2000	3084162360007	4	4	C

EXTRA 2 WXC

Model	DISMOUNTABLE SOFT FLEECE insulation Art. Nr.	STAINLESS STEEL HEAT EXCHANGER SURFACE		ENERGY EFFICIENCY CLASS
		Lower	Upper	
		[m ²]		
500	3082162360133	1,5	1,5	C
800	3082162360134	2	2	C
1000	3082162360135	3	2	C
1500	3082162360136	3	3	C
2000	3082162360137	4	4	C
2500	3082162360113	5	5	
3000	3082162360108	6	6	
4000	3082162360110	8	8	
5000	3082162360112	10	10	

ELECTRICAL IMMERSION HEATERS

Mod.	Volume of water heated by the electrical immersion [lit]	MONOPHASE			THREEPHASE					
		1,5 kW	2 kW	3 kW	4 kW	5 kW	6 kW	9 kW	12 kW	
		52400000000051	52400000000052	52400000000053	52400000000047	52400000000048	52400000000049	52400000000050	52400000000031	
		Ignition time from 10 °C to 45 °C with immersion heaters [min]								
200	49	87	65	44	//	//	//	//	//	
300	76	136	102	68	//	//	//	//	//	
500	127	228	171	114	//	//	//	//	//	
800	178	318	239	159	//	//	//	//	//	
1000	243	436	327	218	163	131	109	73	54	
1500	288	516	387	258	194	155	129	86	65	
2000	443	793	595	396	297	238	198	132	99	
2500	577	1033	775	517	387	310	258	172	129	
3000	577	1033	775	517	387	310	258	172	129	
4000	797	1428	1071	714	535	428	357	238	178	
5000	1040	1864	1398	932	699	559	466	311	233	

Accessories on request

"Easy Control" Electronic Display

ART. NR.	FOR MODELS
5005000310002	WXC
5005000310003	WXB



Titanium electronic anode

See Accessories section

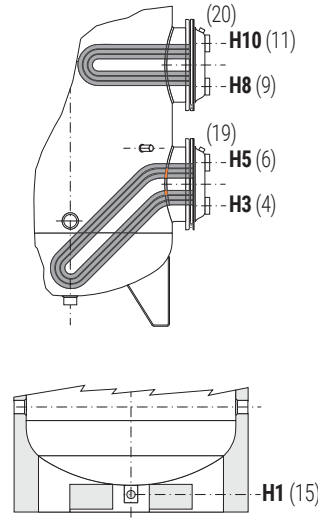
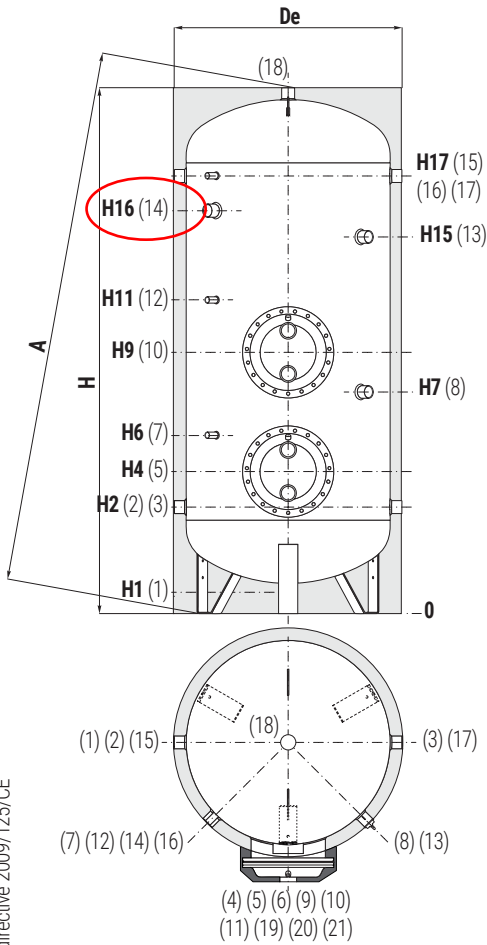


EXTRA 2

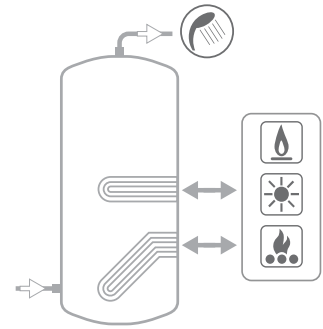
POLYWARM® COATED CALORIFIERS WITH 2 STAINLESS STEEL EXTRACTABLE HEAT EXCHANGERS

Model	STORAGE		HEAT EXCHANGER	
	Pmax	Tmax	Pmax	Tmax
200 ÷ 1000	8 bar	90 °C	12 bar	110 °C
1500 ÷ 5000	6 bar			

CORDIVARI Lab
TÜV Rheinland Energie und Umwelt GmbH states that test procedures and Cordivari LAB are certified conforming to European standard EN 15332, as indicated by Ecodesign ErP Directive.



Models from 1500 to 5000 have two grippos on the bottom which allow the use of forklift when handling and drain pipe already fitted.



- | | |
|--------------|--|
| 1 | Drain 1" 1/4 F.
For model 1000 connection 1" 1/2 F |
| 2 | Domestic cold water circuit inlet |
| 3 | Alternative domestic cold water circuit inlet or connection for more boilers |
| 4 | Lower heat exchanger outlet 1" F
For models > 800 connection 2" F |
| 5 | Heat exchanger flange Lower |
| 6 | Lower heat exchanger inlet 1" F
For models > 800 connection 2" F |
| 7-12 | Connection for instrumentation 1/2" F |
| 8 | Connection for magnesium anode 1" 1/4 F |
| 9 | Upper heat exchanger outlet 1" F
For models > 800 connection 2" F |
| 10 | Heat exchanger flange Upper |
| 11 | Upper heat exchanger inlet 1" F
For models > 800 connection 2" F |
| 13 | Connection for 2 nd anode 1" 1/4 Gas F (only for models > 1500) |
| 14 | Connection for electrical immersion 1" 1/2 F
For models > 800 connection 2" Gas F |
| 15-17 | Connection for recirculation or for domestic hot water |
| 16 | Connection for instrumentation 1/2" Gas F |
| 18 | Domestic hot water outlet |
| 19-20 | Heat exchangers air purge 3/8" Gas F |
| 21 | Drain 1" Gas F (only for models > 1000) |

HARD FOAM INSULATION (WXB)

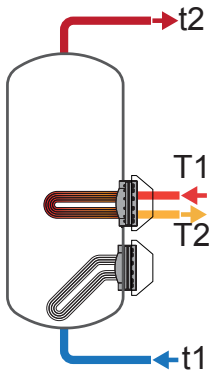
Model	Volume Weight		De	H	A	H1	H2	H3	H4	H5	H6	H7	H8	H9	H10	H11	H15	H16	H17	5-10	2-3	
	[lit]	[kg]																			15-17	18
200	193	70	550	1449	1550	85	325	360	410	460	520	650	810	860	910	970	//	1075	1185	Øe 300	1"1/4	1"1/4
300	295	84	650	1499	1635	85	350	385	435	485	545	735	835	885	935	995	//	1100	1210	Øe 300	1"1/4	1"1/4
500	503	112	750	1800	1950	85	375	410	460	510	570	760	860	910	960	1020	//	1329	1485	Øe 300	1"1/4	1"1/4
800	799	177	900	2135	2320	85	405	450	540	630	690	870	1000	1090	1180	1240	//	1610	1765	Øe 380	1"1/4	1"1/4
1000	1047	226	1000	2221	2436	105	458	503	593	683	743	993	1053	1143	1233	1293	//	1664	1818	Øe 380	1"1/2	1"1/2
1500	1450	269	1100	2415	2654	109	440	585	675	765	825	1075	1160	1250	1340	1400	//	1895	2050	Øe 380	1"1/2	2"
2000	1985	337	1300	2492	2811	91	467	587	692	797	867	842	1157	1262	1367	1437	1952	1877	2057	Øe 430	2"	2"

SOFT FLEECE INSULATION (WXC)

Model	Volume Weight		De	H	A	H1	H2	H3	H4	H5	H6	H7	H8	H9	H10	H11	H15	H16	H17	5-10	2-3	
	[litres]	[kg]																			15-17	18
500	503	105	870	1841	1988	101	416	451	501	551	611	801	901	951	1001	1061	//	1370	1526	Øe 300	1"1/4	1"1/4
800	799	177	970	2188	2210	113	433	478	568	658	718	898	1028	1118	1208	1268	//	1638	1793	Øe 380	1"1/4	1"1/4
1000	1047	226	1070	2242	2260	101	454	499	589	679	739	989	1049	1139	1229	1289	//	1660	1814	Øe 380	1"1/2	1"1/2
1500	1450	269	1210	2440	2485	109	440	585	675	765	825	1075	1160	1250	1340	1400	//	1895	2050	Øe 380	1"1/2	2"
2000	1985	337	1360	2492	2560	91	467	587	692	797	867	842	1157	1262	1367	1437	1952	1877	2057	Øe 430	2"	2"
2500	2322	399	1350	2311	2470	140	551	671	776	881	951	976	1271	1376	1481	1551	1816	1732	1891	Øe 430	2"	2"
3000	2928	464	1350	2811	2940	140	551	731	836	941	1011	1036	1371	1476	1581	1651	2316	2232	2391	Øe 430	2"	2"
4000	3776	618	1500	2875	3040	114	570	750	855	960	1030	1035	1390	1495	1600	1670	2315	2238	2410	Øe 430	2"	2"
5000	4990	768	1700	2915	3120	94	580	750	855	960	1030	1035	1400	1505	1610	1680	2335	2265	2420	Øe 430	2"	2"

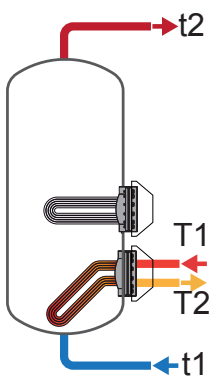
EXTRA2 - HEAT EXCHANGERS TECHNICAL DATA

Cordivari heat exchangers, with tubes bent to the bottom, are able to heat the complete quantity of volume in an homogeneous way. Energy storing is therefore improved and Ignition time data have to be referred to the complete volume of the tank, while in traditional straight heat exchangers equipped calorifires, a range between 9-17% of volume remains cold.



UPPER STRAIGHT HEAT EXCHANGERS

Model	Ignition time (minutes) from 10 °C to t2 and primary at T1				Maximum power exchange (kW) with primary at T1, secondary within 10-45 °C and constant use of DHW production				DHW continuous production lt/h within 10-45 °C and primary at T1			
	T1/t2				T1				T1			
	55/50	65/60	70/60	80/60	55	65	70	80	55	65	70	80
200	57	57	39	25	7	11	14	18	179	283	339	456
	74	75	52	33	6	9	11	14	142	219	259	344
300	57	57	39	25	11	18	21	28	275	436	521	702
	73	73	52	33	9	14	16	22	220	340	403	535
500	52	52	36	23	23	37	44	59	573	911	1090	1468
	66	55	46	30	19	29	35	46	468	724	857	1139
800	62	62	42	27	33	53	64	86	817	1312	1573	2129
	75	76	53	34	28	44	52	69	690	1079	1284	1715
1000	80	80	55	35	32	51	61	82	783	1252	1501	2029
	100	100	70	45	26	41	48	65	647	1008	1198	1599
1500	68	68	47	30	51	82	98	133	1259	2026	2430	3295
	82	83	57	37	44	68	81	109	1077	1690	2011	2687
2000	70	70	48	30	69	111	133	180	1702	2741	3293	4463
	84	85	59	37	59	93	111	148	1468	2306	2744	3668
2500	59	59	40	25	84	134	160	216	2069	3313	3969	5358
	71	72	50	32	71	111	131	174	1758	2738	3249	4318
3000	71	72	49	31	100	159	190	255	2465	3931	4698	6325
	88	89	62	40	84	130	154	204	2086	3229	3821	5057
4000	71	72	50	32	131	207	247	330	3242	5126	6112	8179
	89	90	63	41	110	168	198	260	2723	4167	4909	6448
5000	78	78	54	35	162	253	301	400	3998	6275	7459	9924
	99	100	71	46	135	204	239	312	3338	5055	5930	7735



CURVED HEAT EXCHANGERS

Model	Ignition time (minutes) from 10 °C to t2 and primary at T1				Maximum power exchange (kW) with primary at T1, secondary within 10-45 °C and constant use of DHW production				DHW continuous production lt/h within 10-45 °C and primary at T1			
	T1/t2				T1				T1			
	55/50	65/60	70/60	80/60	55	65	70	80	55	65	70	80
200	113	113	77	49	7,3	12	14	18	178	283	338	455
	147	148	102	65	6	9	11	13,9	141	218	258	344
300	112	113	76	48	11	17	21	28	274	435	520	701
	145	146	102	65	9	14	16	21,6	219	339	402	534
500	90	90	62	39	23	37	44	59	571	909	1088	1467
	114	115	80	51	19	29	35	46	466	722	856	1137
800	101	101	69	44	33	53	64	86	815	1310	1572	2128
	124	125	86	55	28	44	52	69	688	1077	1282	1712
1000	82	83	56	36	51	82	98	133	1257	2024	2429	3293
	101	100	69	44	44	68	81	108	1076	1689	2010	2685
1500	120	119	82	51	51	81	98	133	1256	2022	2428	3290
	145	146	100	64	44	68	81	108	1075	1687	2008	2684
2000	121	122	83	52	69	111	133	180	1699	2738	3288	4453
	146	147	101	65	59	93	111	148	1465	2302	2741	3665
2500	118	119	81	51	69	111	133	180	1699	2738	3288	4453
	145	146	101	65	59	93	111	148	1465	2302	2741	3665
3000	128	127	87	55	100	159	190	255	2461	3926	4694	6321
	456	157	110	70	84	130	154	204	2082	3224	3817	5053
4000	126	127	87	56	131	207	247	330	3236	5121	6105	8168
	159	161	112	73	110	168	198	260	2718	4151	4903	6443
5000	137	138	96	61	162	253	301	401	3992	6270	7450	9921
	176	179	125	82	135	204	239	312	3332	5049	5923	7727

EXTRA2 - HEAT EXCHANGERS TECHNICAL DATA

Data have been calculated on following basis:

- 1) Primary circuit at T1 and proper energy source;
- 2) Production of DHW in continue way from 10 °C at t2;
- 3) DHW that can be taken in the first 10' and in the first hour from storage at 60°C, input 10°C and output 45°C;
- 4) Sanitary water according to UNI CTI 8065.

DHW produced in the first 10 minutes in lt/10' input 10 °C output 45 °C, storage at t2 and primary at T1				DHW produced in the first hour in lt/60' input 10 °C output 45 °C, storage at t2 and primary at T1				Flow rate	Exchanger pressure loss	
T1/t2				T1/t2					[m³/h]	[mm.H ₂ O]
55/50	65/60	70/60	80/60	55/50	65/60	70/60	80/60			
140	184	194	213	253	364	408	502	2	294,35	28,9
133	174	180	194	223	312	344	412	1	80,5	7,9
215	284	298	328	389	560	628	773	3	355,7	34,9
206	268	279	301	345	483	534	639	1,5	95,97	9,4
418	555	585	648	781	1132	1275	1577	6	682	66,9
400	524	546	593	697	982	1088	1314	3	179	17,6
689	910	954	1046	1207	1741	1950	2395	10	1311	128,6
668	871	905	977	1105	1555	1719	2063	5	341	33,4
816	1066	1107	1195	1312	1859	2058	2480	10	1311	128,6
794	1025	1057	1124	1203	1664	1816	2136	5	341	33,4
1149	1512	1579	1723	1947	2795	3118	3810	15	2181	213,9
1119	1456	1509	1622	1801	2526	2783	3324	7,5	560	54,9
1595	2095	2187	2382	2672	3831	4273	5209	20	2846	279,1
1556	2023	2096	2250	2485	3483	3834	4573	10	728	71,4
1652	2186	2296	2527	2963	4285	4809	5921	20	2314	226,9
1600	2091	2176	2354	2714	3825	4233	5089	10	592	58,1
2303	3021	3149	3420	3865	5511	6124	7426	20	2745	269,2
2240	2904	3003	3209	3561	4949	5423	6411	10	700	68,6
2972	3894	4059	4403	5026	7141	7930	9583	20	3701	362,9
2886	3735	3858	4115	4610	6374	6967	8198	10	939	92,1
3882	5066	5263	5674	6414	9040	9987	11959	20	4472	438,6
3772	4863	5008	5309	5886	8064	8764	10208	10	1132	111,0

DHW produced in the first 10 minutes in lt/10' input 10 °C output 45 °C, storage at t2 and primary at T1				DHW produced in the first hour in lt/60' input 10 °C output 45 °C, storage at t2 and primary at T1				Flow rate	Exchanger pressure loss	
T1/t2				T1/t2					[m³/h]	[mm.H ₂ O]
55/50	65/60	70/60	80/60	55/50	65/60	70/60	80/60			
247	319	328	347	360	498	542	635	2	309	30,3
241	308	314	329	330	446	478	547	1	84,74	8,3
371	480	494	524	545	755	823	968	3	372	36,5
362	464	474	496	501	678	729	834	1,5	101,02	9,9
649	844	874	937	1011	1420	1563	1866	6	718	70,4
632	813	836	882	927	1270	1378	1602	3	189,22	18,6
1039	1347	1391	1483	1555	2177	2386	2831	10	1380	135,3
1018	1308	1342	1414	1453	1990	2154	2498	5	358,5	35,2
1347	1759	1826	1970	2143	3041	3365	4056	15	2295	225,1
1316	1703	1756	1869	1998	2773	3029	3569	7,5	589,6	57,8
1855	2394	2462	2605	2651	3675	4000	4689	15	2295	225,1
1825	2338	2392	2504	2506	3407	3664	4204	7,5	589,6	57,8
2546	3285	3377	3571	3622	5019	5459	6391	20	2996	293,8
2507	3212	3285	3439	3435	4670	5021	5761	10	766,42	75,2
2927	3761	3852	4046	4003	5495	5935	6867	20	2436	238,9
2888	3688	3761	3915	3815	5146	5497	6236	10	624	61,2
3748	4827	4955	5226	5307	7314	7928	9230	20	2836	278,1
3685	4710	4809	5015	5004	6752	7226	8215	10	723	70,9
4842	6232	6396	6740	6892	9475	10263	11913	20	3896	382,1
4756	6070	6196	6452	6477	8699	9301	10533	10	989	97,0
6362	8166	8363	8775	8891	12137	13081	15058	20	4707	461,6
6252	7963	8109	8409	8363	11161	11860	13303	10	1192	116,9

EXTRA2 - PRESSURE LOSS - LOWER CURVED HEAT EXCHANGERS



Lower heat exchanger surface [m²]

200	0,5
300	0,75
500	1,5
800	2
1000	3
1500	3
2000	4
2500	5
3000	6
4000	8
5000	10



Chart for surfaces of: 0,5 m² / 0,75 m² / 1 m²

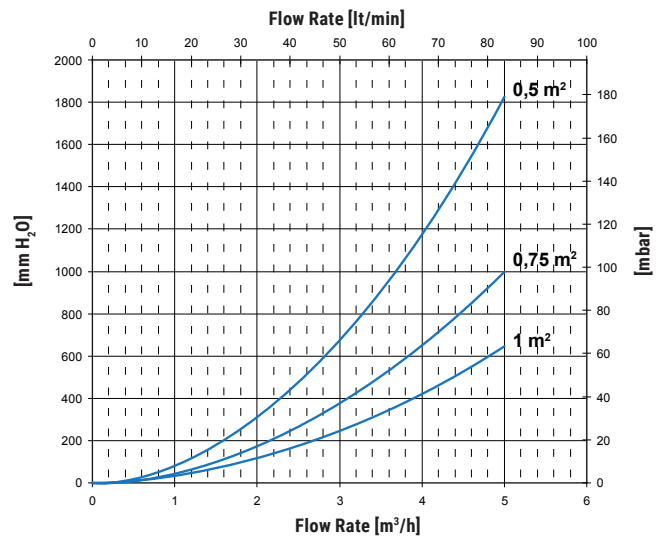


Chart for surfaces of: 1,5 m² / 2 m² / 3 m²

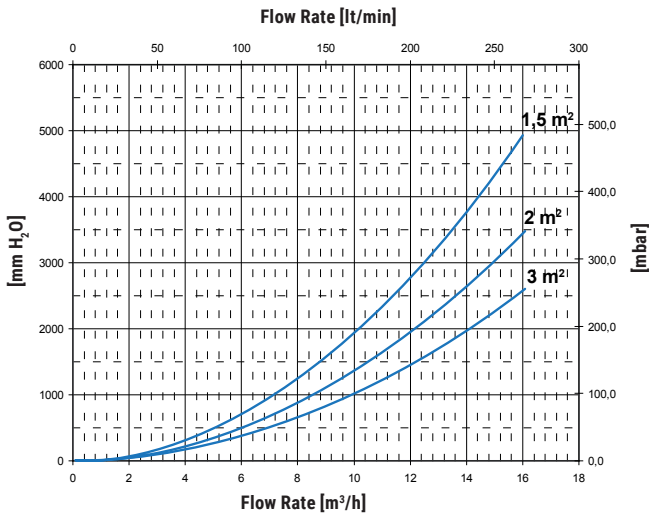


Chart for surfaces of: 4 m² / 5 m²

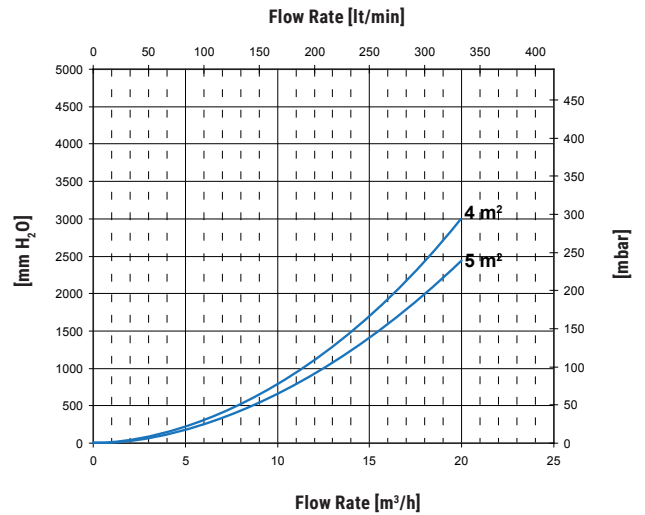


Chart for surfaces of: 6 m² / 8 m²

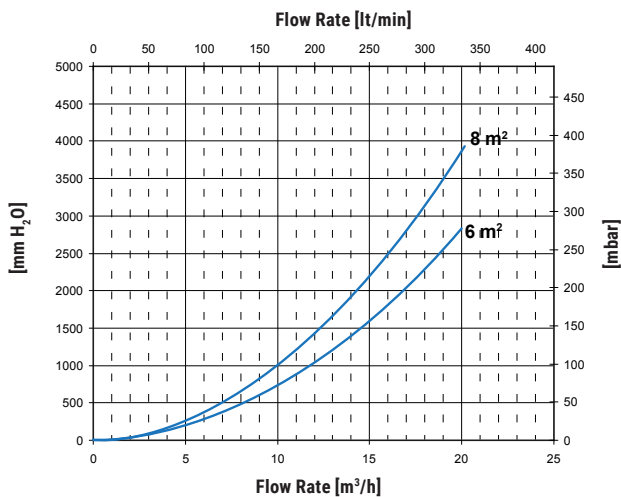
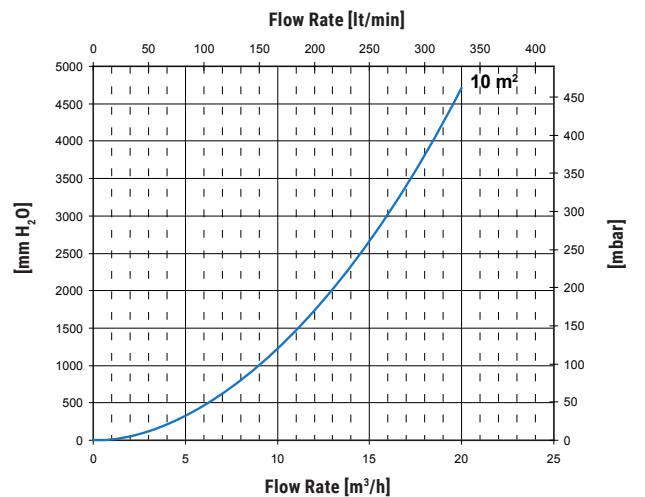


Chart for surfaces of: 10 m²



EXTRA2 - PRESSURE LOSS - UPPER STRAIGHT HEAT EXCHANGERS



Upper heat exchanger surface [m²]

200	0,5
300	0,75
500	1,5
800	2
1000	2
1500	3
2000	4
2500	5
3000	6
4000	8
5000	10

Chart for surfaces of: 0,5 m² / 0,75 m² / 1 m²

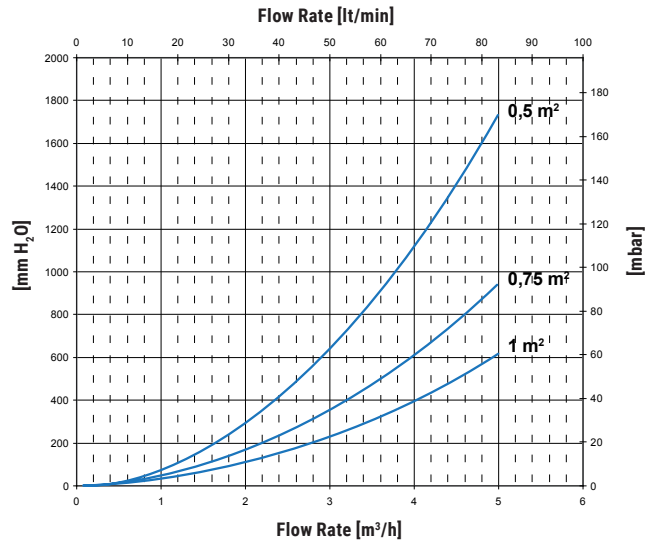


Chart for surfaces of: 1,5 m² / 2 m² / 3 m²

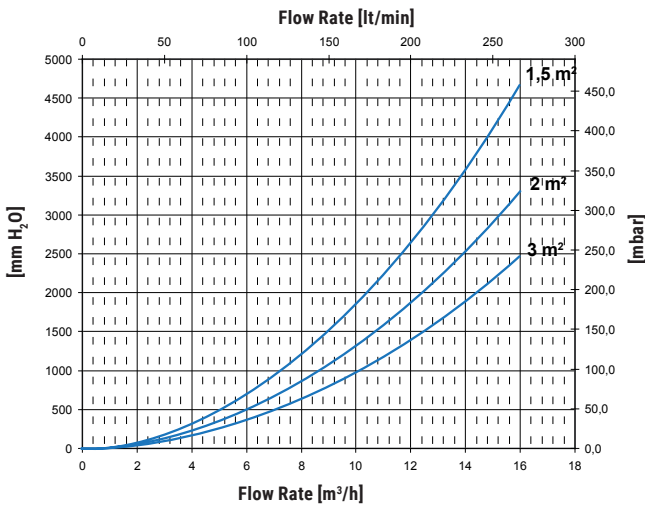


Chart for surfaces of: 4 m² / 5 m²

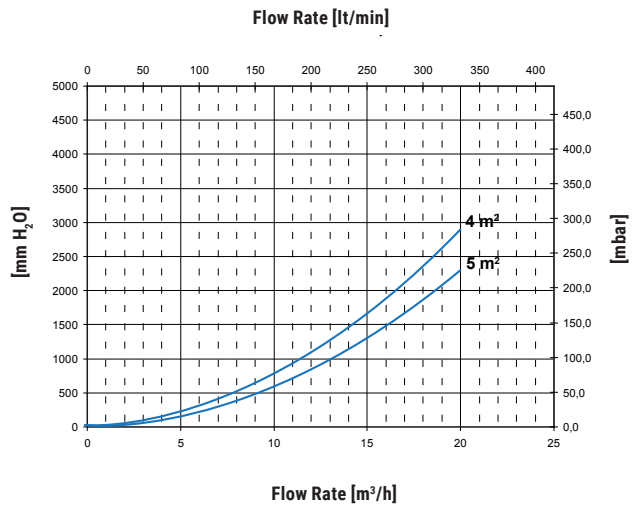


Chart for surfaces of: 6 m² / 8 m²

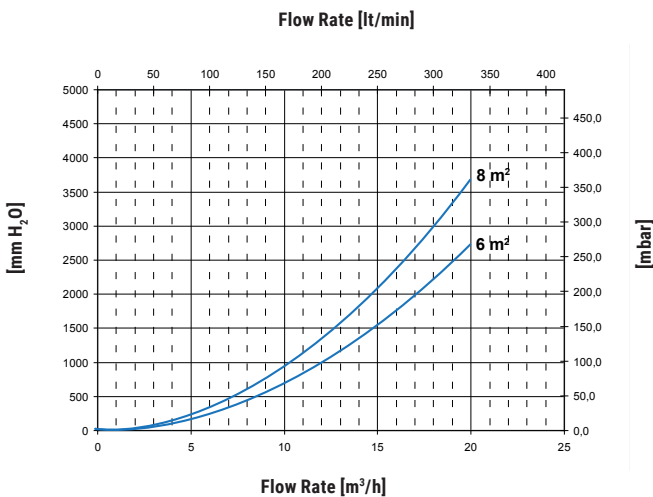
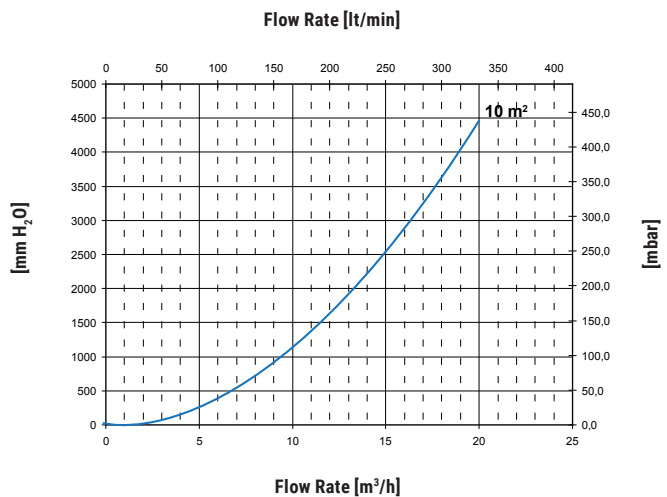


Chart for surfaces of: 10 m²



EXTRA-BOLLY®
CALORIFIERS

BOLLYTERM®
CALORIFIERS

STAINLESS STEEL
CALORIFIERS

CALORIFIERS FOR
HEAT PUMP

MULTIFUEL ENERGY
CYLINDERS - PUFFER

HYDRONIC

INERTIAL
TANKS

WATER PRESSURE
TANKS

COMPRESSED AIR
RECEIVERS

ACCESSORIES
AND SPARE PARTS

TECHNICAL
SUPPORT

EXTRA 3

POLYWARM® COATED CALORIFIERS WITH 3 STAINLESS STEEL EXTRACTABLE HEAT EXCHANGERS



APPLICATION

Production and storage of domestic hot water.

MATERIAL

Mild steel Polywarm® coated (Attestation ACS - SSICA - DVGW - W270 - UBA - WRAS)

HEAT EXCHANGER

3 316L stainless steel heat exchangers (upper, middle: straight - lower: Antilegionella® with tubes bent to the bottom).

INSULATION

- HARD: High thermal insulation with ecological polyurethane hard foam.
- SOFT: NOFIRE® polyester fleece 100% made of recyclable material, with high thermal insulation. Fire resistance class B-s2d0 according to EN 13501.

Grey PVC external lining complete with top and flange cover

CATHODE PROTECTION

2 magnesium anodes.

DRAIN

External confluence through drain connection.

GASKET- FLANGE PLATE

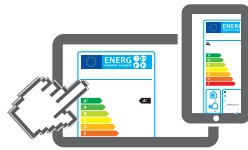
Silicone gaskets suitable for alimentary use for max temperature up to 200°C. Mild steel exchanger head with anticorrosion treatment.

WARRANTY

5 years - See general sales conditions and warranty

ACCESSORIES AND SPARE PARTS

See Accessories section for the entire list.



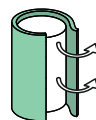
www.cordivari.com/erp

On line ErP label tool

EXTRA 3 WXB

Model	HARD FOAM insulation Art. Nr.	STAINLESS STEEL HEAT EXCHANGER SURFACE			ENERGY EFFICIENCY CLASS
		Lower	Middle	Upper	
1500	3094162360106	3	3	1,5	C
2000	3094162360107	4	4	2	C

EXTRA 3 WXC



Model	DISMOUNTABLE SOFT FLEECE insulation Art. Nr.	STAINLESS STEEL HEAT EXCHANGER SURFACE			ENERGY EFFICIENCY CLASS
		Lower	Middle	Upper	
1500	3092162360136	3	3	1,5	C
2000	3092162360137	4	4	2	C
3000	3092162360109	6	6	3	
5000	3092162360112	10	10	5	

ELECTRICAL IMMERSION HEATERS

Mod.	Volume of water heated by the electrical immersion [lt]	MONOPHASE			THREEPHASE					
		1,5 kW	2 kW	3 kW	4 kW	5 kW	6 kW	9 kW	12 kW	
		5240000000051	5240000000052	5240000000053	5240000000047	5240000000048	5240000000049	5240000000050	5240000000031	
		Ignition time from 10 °C to 45 °C with immersion heaters [min]								
1500	288	516	387	258	194	155	129	86	65	
2000	443	793	595	396	297	238	198	132	99	
2500	577	1033	775	517	387	310	258	172	129	
3000	577	1033	775	517	387	310	258	172	129	
5000	1040	1864	1398	932	699	559	466	311	233	

Accessories on request

"Easy Control" Electronic Display

ART. NR.	FOR MODELS
5005000310002	WXC
5005000310003	WXB



Thermometer

Art. Nr.
5032240000107
5 units box



Titanium electronic anode

Art. Nr.	Model
5200000000011	1500
5200000000013	2000÷5000

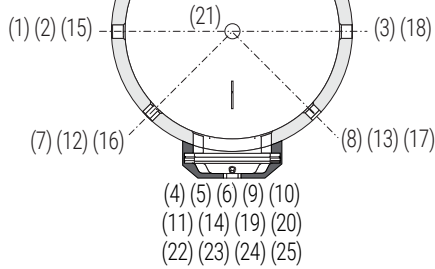
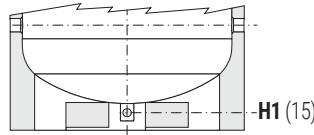
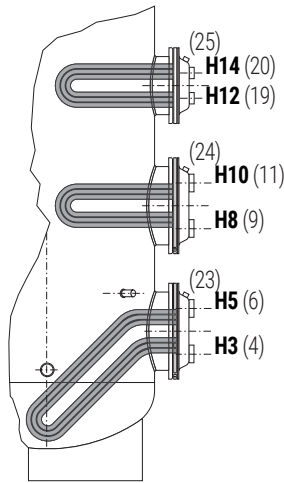
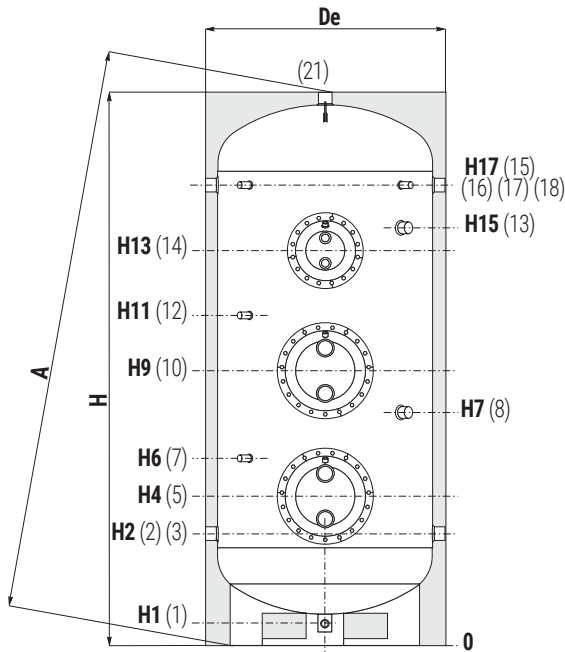
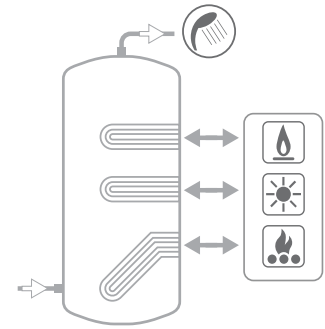


EXTRA 3

POLYWARM® COATED CALORIFIERS WITH 3 STAINLESS STEEL EXTRACTABLE HEAT EXCHANGERS

STORAGE		HEAT EXCHANGER	
Pmax	Tmax	Pmax	Tmax
6 bar	90 °C	12 bar	110 °C

CORDIVARI Lab
TÜV Rheinland Energie und Umwelt GmbH states that test procedures and Cordivari LAB are certified conforming to European standard EN 15332, as indicated by Ecodesign ErP Directive.



The calorifier have two gripps on the bottom which allow the use of forklift when handling and already equipped with mounted drainage tube.

- 1 Drain 1" F
- 2 Domestic cold water circuit inlet 1/2" F
For models > 1500 connection 2" F
- 3 Alternative domestic cold water circuit inlet or connection for more boilers 1/2" F
For models > 1500 connection 2" F
- 4 Lower heat exchanger outlet 2" F
- 5 Heat exchanger flange Lower
- 6 Lower heat exchanger inlet 2" F
- 7-12 Connection for instrumentation 1/2" F
- 8 Connection for magnesium anode 1"1/4 F
- 9 Middle heat exchanger outlet 2" F
- 10 Middle heat exchanger flange
- 11 Middle heat exchanger inlet 2" F
- 13 Connection for 2nd anode 1"1/4 F (only for models > 1500)
- 14 Heat exchanger flange Upper
- 15-18 Connection for recirculation or for domestic hot water 1/2" F
For models > 1500 connection 2" F
- 16-17 Connection for instrumentation 1/2" F
- 19 Upper heat exchanger outlet 2" F
- 20 Upper heat exchanger inlet 2" F
- 21 Domestic hot water outlet 2" F
- 23-24 Heat exchangers air purge 3/8" Gas F
- 25

HARD FOAM INSULATION (WXB)

Model	Volume Weight		De	H	A	H1	H2	H3	H4	H5	H6	H7	H8	H9	H10	H11	H12	H13	H14	H15	H17
	[lt]	[kg]																			
1500	1455	291	1100	2415	2654	109	440	585	675	765	825	1075	1160	1250	1340	1400	1785	1875	1965	//	2050
2000	1991	430	1300	2492	2811	91	467	587	692	797	867	842	1157	1262	1367	1437	1727	1817	1907	1592	2057

SOFT FLEECE INSULATION (WXC)

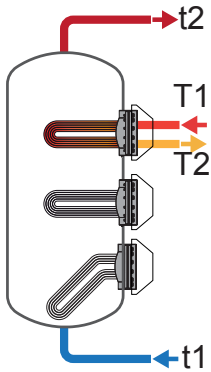
Model	Volume Weight		De	H	A	H1	H2	H3	H4	H5	H6	H7	H8	H9	H10	H11	H12	H13	H14	H15	H17
	[lt]	[kg]																			
1500	1455	291	1210	2440	2485	109	440	585	675	765	825	1075	1160	1250	1340	1400	1785	1875	1965	//	2050
2000	1991	430	1360	2492	2560	91	467	587	692	797	867	842	1157	1262	1367	1437	1727	1817	1907	1592	2057
3000	2933	557	1350	2811	2940	140	551	731	836	941	1011	1036	1371	1476	1581	1651	2086	2176	2266	1926	2391
5000	4996	882	1700	2915	3120	94	580	750	855	960	1030	1035	1400	1505	1610	1680	2010	2115	2220	1855	2420

P.E.D. product designed and produced in conformity to the article 4.3 of directive 2014/68/UE - ErP Ecodesign directive 2009/125/CE

EXTRA-BOLLY® CALORIFIERS
BOLLYTERM® CALORIFIERS
STAINLESS STEEL CALORIFIERS
CALORIFIERS FOR HEAT PUMP
MULTIFUEL ENERGY CYLINDERS - PUFFER
HYDRONIC
INERTIAL TANKS
WATER PRESSURE TANKS
COMPRESSED AIR RECEIVERS
ACCESSORIES AND SPARE PARTS
TECHNICAL SUPPORT

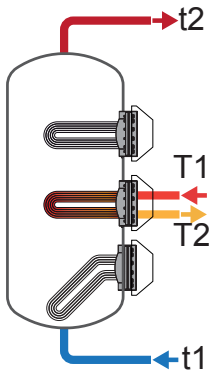
EXTRA3 - HEAT EXCHANGERS TECHNICAL DATA

Cordivari heat exchangers, with tubes bent to the bottom, are able to heat the complete quantity of volume in an homogeneous way. Energy storing is therefore improved and Ignition time data have to be referred to the complete volume of the tank, while in traditional straight heat exchangers equipped calorifires, a range between 9-17% of volume remains cold.



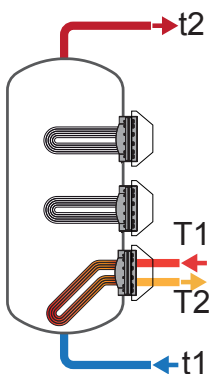
UPPER STRAIGHT HEAT EXCHANGERS

Model	Ignition time (minutes) from 10 °C to t2 and primary at T1				Maximum power exchange (kW) with primary at T1, secondary within 10-45 °C and constant use of DHW production				DHW continuous production lt/h within 10-45 °C and primary at T1			
	T1/t2				T1				T1			
	55/50	65/60	70/60	80/60	55	65	70	80	55	65	70	80
1500	69	68	48	30	23	37	44	59	571	909	1088	1466
	88	89	61	39	19	29	35	46	465	722	855	1137
2000	76	77	52	33	33	53	64	86	815	1309	1572	2128
	93	94	65	41	28	44	52	69	688	1077	1281	1712
3000	63	63	43	27	51	82	98	133	1256	2023	2429	3293
	77	77	54	34	44	68	81	109	1075	1688	2009	2685
5000	81	81	56	35	84	134	160	216	2066	3344	3965	5353
	99	100	69	44	71	111	131	174	1755	2734	3244	4314



MIDDLE STRAIGHT HEAT EXCHANGERS

Model	Ignition time (minutes) from 10 °C to t2 and primary at T1				Maximum power exchange (kW) with primary at T1, secondary within 10-45 °C and constant use of DHW production				DHW continuous production lt/h within 10-45 °C and primary at T1			
	T1/t2				T1				T1			
	55/50	65/60	70/60	80/60	55	65	70	80	55	65	70	80
1500	68	68	47	30	51	82	98	133	1259	2026	2430	3295
	82	83	57	37	44	68	81	109	1077	1690	2011	2687
2000	70	70	48	30	69	111	133	180	1702	2741	3293	4463
	84	85	59	37	59	93	111	148	1468	2306	2744	3668
3000	71	72	49	31	100	159	190	255	2465	3931	4698	6325
	88	89	62	40	84	130	154	204	2086	3229	3821	5057
5000	78	78	54	35	162	253	301	400	3998	6275	7459	9924
	99	100	71	46	135	204	239	312	3338	5055	5930	7735



CURVED HEAT EXCHANGERS

Model	Ignition time (minutes) from 10 °C to t2 and primary at T1				Maximum power exchange (kW) with primary at T1, secondary within 10-45 °C and constant use of DHW production				DHW continuous production lt/h within 10-45 °C and primary at T1			
	T1/t2				T1				T1			
	55/50	65/60	70/60	80/60	55	65	70	80	55	65	70	80
1500	120	119	82	51	51	81	98	133	1256	2022	2428	3290
	145	146	100	64	44	68	81	108	1075	1687	2008	2684
2000	121	122	83	52	69	111	133	180	1699	2738	3288	4453
	146	147	101	65	59	93	111	148	1465	2302	2741	3665
3000	128	127	87	55	100	159	190	255	2461	3926	4694	6321
	456	157	110	70	84	130	154	204	2082	3224	3817	5053
5000	137	138	96	61	162	253	301	401	3992	6270	7450	9921
	176	179	125	82	135	204	239	312	3332	5049	5923	7727

EXTRA3 - HEAT EXCHANGERS TECHNICAL DATA

Data have been calculated on following basis:

- 1) Primary circuit at T1 and proper energy source;
- 2) Production of DHW in continue way from 10 °C at t2;
- 3) DHW that can be taken in the first 10' and in the first hour from storage at 60°C, input 10°C and output 45°C;
- 4) Sanitary water according to UNI CTI 8065.

DHW produced in the first 10 minutes in lt/10' input 10 °C output 45 °C, storage at t2 and primary at T1				DHW produced in the first hour in lt/60' input 10 °C output 45 °C, storage at t2 and primary at T1				Flow rate [m³/h]	Exchanger pressure loss	
T1/t2				T1/t2					[mm.H ₂ O]	[mbar]
55/50	65/60	70/60	80/60	55/50	65/60	70/60	80/60			
520	683	713	776	882	1259	1402	1704	6	682	66,9
503	652	674	721	797	1109	1215	1441	3	179	17,6
811	1062	1106	1199	1327	1891	2102	2547	10	1311	128,6
790	1024	1058	1130	1226	1706	1869	2214	5	341	33,4
1081	1427	1495	1639	1877	2708	3033	3724	15	2181	213,9
1051	1371	1425	1538	1732	2440	2697	3238	7,5	560	54,9
2152	2282	2921	3152	3461	2367	5432	6542	20	2314	226,9
2101	2716	2801	2979	3212	4447	4855	5711	10	592	58,1

DHW produced in the first 10 minutes in lt/10' input 10 °C output 45 °C, storage at t2 and primary at T1				DHW produced in the first hour in lt/60' input 10 °C output 45 °C, storage at t2 and primary at T1				Flow rate [m³/h]	Exchanger pressure loss	
T1/t2				T1/t2					[mm.H ₂ O]	[mbar]
55/50	65/60	70/60	80/60	55/50	65/60	70/60	80/60			
1149	1512	1579	1723	1947	2795	3118	3810	15	2181,03	213,9
1119	1456	1509	1622	1801	2526	2783	3324	7,5	560,28	54,9
1595	2095	2187	2382	2672	3831	4273	5209	20	2846,25	279,1
1556	2023	2096	2250	2485	3483	3834	4573	10	728,1	71,4
2303	3021	3149	3420	3865	5511	6124	7426	20	2745,34	269,2
2240	2904	3003	3209	3561	4949	5423	6411	10	700,69	68,7
3882	5066	5263	5674	6414	9040	9987	11959	20	4472,31	438,6
3772	4863	5008	5309	5886	8064	8764	10208	10	290,29	28,5

DHW produced in the first 10 minutes in lt/10' input 10 °C output 45 °C, storage at t2 and primary at T1				DHW produced in the first hour in lt/60' input 10 °C output 45 °C, storage at t2 and primary at T1				Flow rate [m³/h]	Exchanger pressure loss	
T1/t2				T1/t2					[mm.H ₂ O]	[mbar]
55/50	65/60	70/60	80/60	55/50	65/60	70/60	80/60			
1855	2394	2462	2605	2651	3675	4000	4689	15	2295	225,1
1825	2338	2392	2504	2506	3407	3664	4204	7,5	589,6	57,8
2546	3285	3377	3571	3622	5019	5459	6391	20	2996	293,8
2507	3212	3285	3439	3435	4670	5021	5761	10	766,42	75,2
3748	4827	4955	5226	5307	7314	7928	9230	20	2836	278,1
3685	4710	4809	5015	5004	6752	7226	8215	10	723	70,9
6362	8166	8363	8775	8891	12137	13081	15058	20	4707	461,6
6252	7963	8109	8409	8363	11161	11860	13303	10	1192	116,9



Lower heat exchanger surface [m²]

1500	3
2000	4
3000	6
5000	10



Chart for surfaces of: 0,5 m² / 0,75 m² / 1 m²

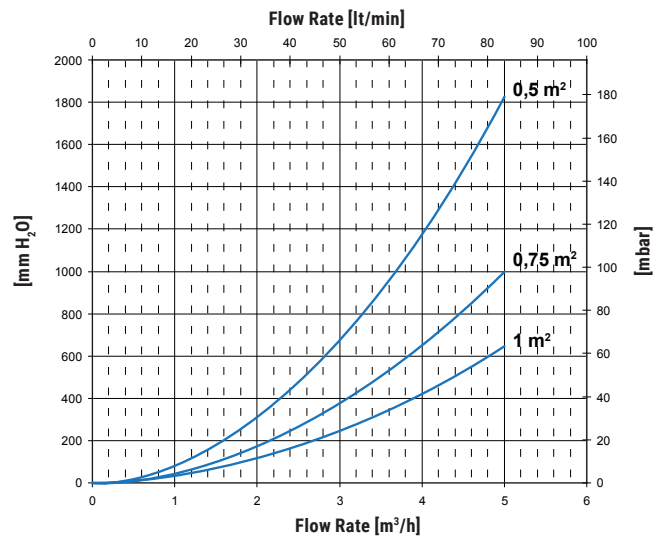


Chart for surfaces of: 1,5 m² / 2 m² / 3 m²

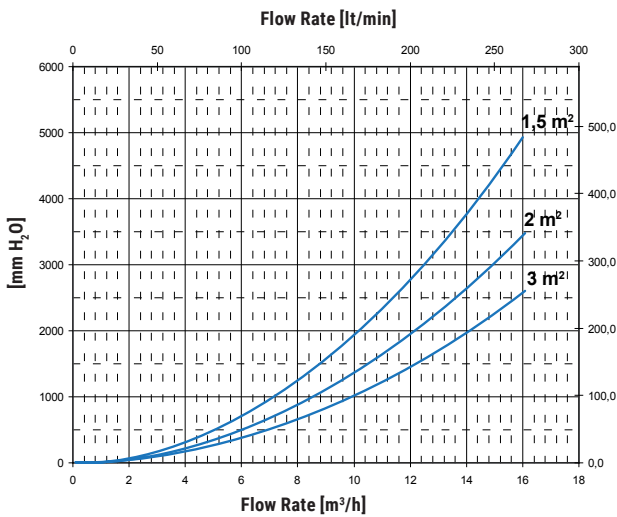


Chart for surfaces of: 4 m² / 5 m²

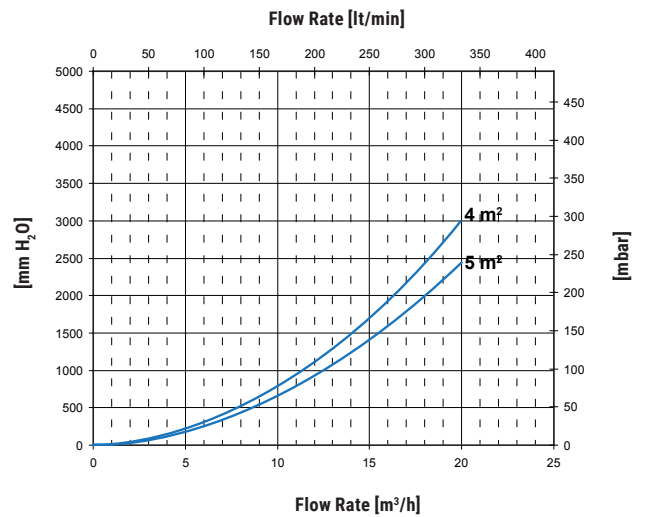


Chart for surfaces of: 6 m² / 8 m²

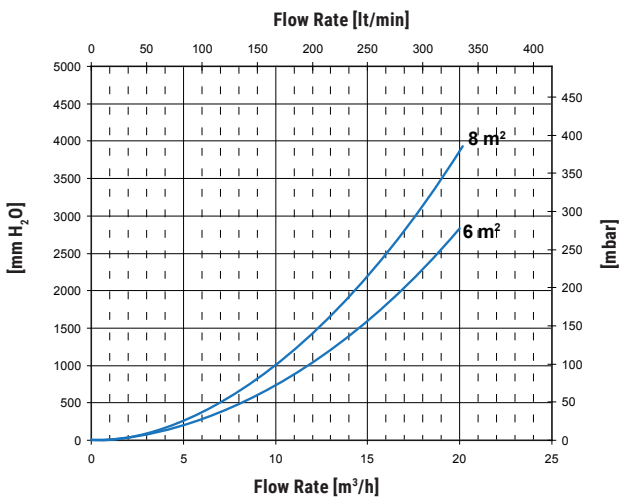
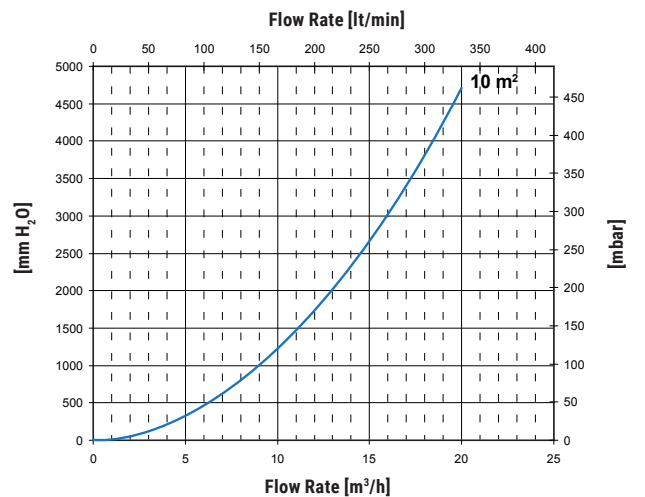


Chart for surfaces of: 10 m²





Heat exchanger surface [m ²]	Middle		Upper	
	1500	2000	3000	5000
1500	3	4	1,5	2
2000	4	6	2	3
3000	6	10	3	5



Chart for surfaces of: 0,5 m² / 0,75 m² / 1 m²

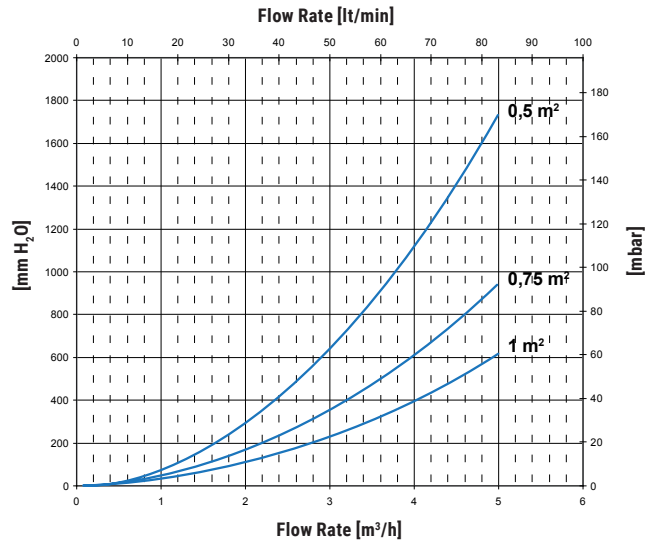


Chart for surfaces of: 1,5 m² / 2 m² / 3 m²

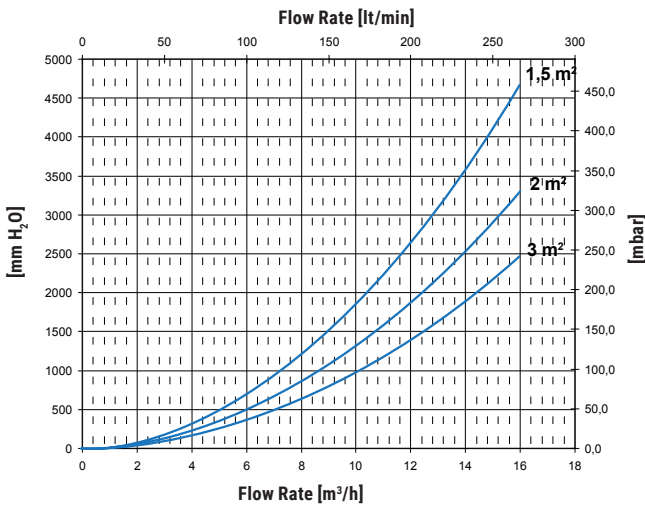


Chart for surfaces of: 4 m² / 5 m²

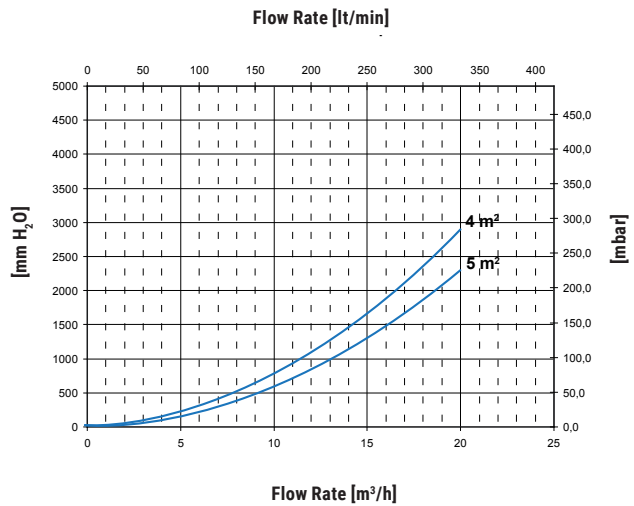


Chart for surfaces of: 6 m² / 8 m²

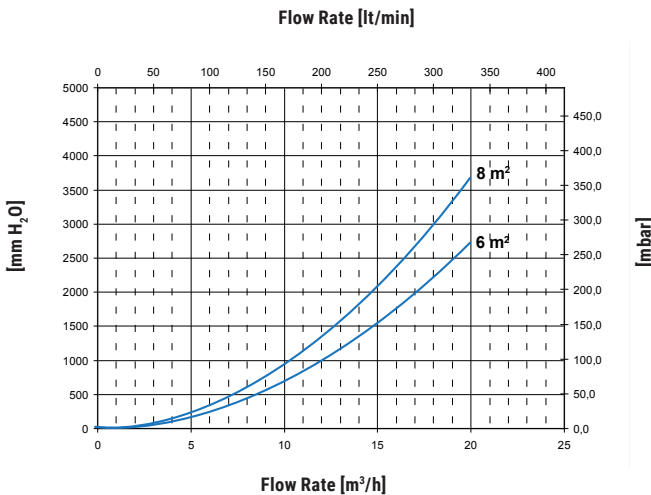
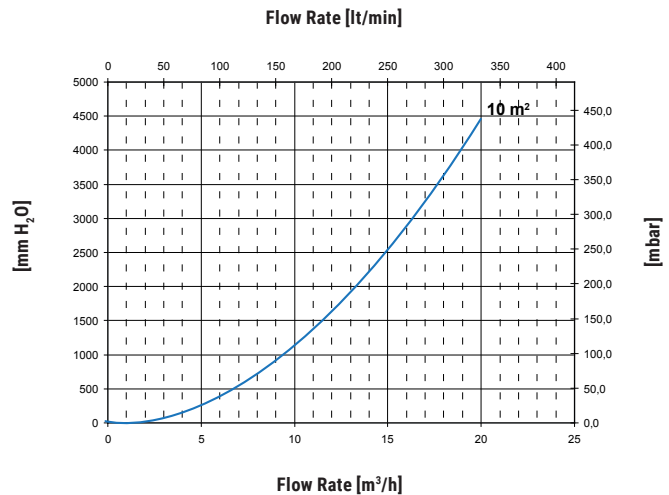


Chart for surfaces of: 10 m²



EXTRA1 HORIZONTAL

POLYWARM® COATED CALORIFIERS WITH 1 STAINLESS STEEL EXTRACTABLE HEAT EXCHANGER



APPLICATION

Production and storage of domestic hot water.

MATERIAL

Mild steel Polywarm® coated (Attestation ACS - SSICA - DVGW - W270 - UBA - WRAS)

HEAT EXCHANGER

1 heat exchanger with 316L stainless steel or copper tubes.

INSULATION (DISMOUNTABLE)

NOFIRE® polyester fleece 100% made of recyclable material, with high thermal insulation. Fire resistance class B-s2d0 according to EN 13501. Grey PVC external lining.

CATHODE PROTECTION

Magnesium anode. Models > 1500 n° 2 magnesium anode.

GASKET- FLANGE PLATE

Silicone gaskets suitable for alimentary use for max temperature up to 200°C. Mild steel exchanger head with anticorrosion treatment.

WARRANTY

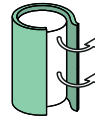
5 years - See general sales conditions and warranty

ACCESSORIES AND SPARE PARTS

See Accessories section for the entire list.

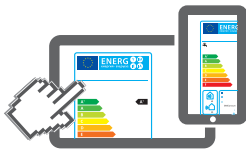


SOFT FLEECE INSULATION



EXTRA 1 WXC OR

Model	DISMOUNTABLE SOFT FLEECE insulation Art. Nr.	STAINLESS STEEL HEAT EXCHANGER SURFACE	ENERGY EFFICIENCY CLASS
		[m ²]	ErP
200	3072161430031	0,5	C
300	3072161430032	0,75	C
500	3072161430033	1	C
800	3072161430034	1,5	C
1000	3072161430035	2	C
1500	3072161430036	3	C
2000	3072161430037	4	C
3000	3072161430008	5	
4000	3072161430009	8	
5000	3072161430011	10	



www.cordivari.com/erp

On line ErP label tool


Data have been calculated on following basis: Primary circuit at 80 °C, and proper energy source; Production of DHW in continue way from 10 °C at t2; DHW that can be taken in the first 10' and in the first hour from storage at 60°C, input 10°C and output 45°C; Sanitary water according to UNI CTI 8065. Even if tanks are tested to resist till max temperature, the local legislation has always to be observed during the use.

Model	Ignition Time [min]	Output [Kw]	Continuous production of DHW [lt/h]	DHW produced in the first 10 Min. [lt/10']	DHW produced in the first hour [lt/60']	Flow rate [m ³ /h]	Exchanger pressure loss [mm.H ₂ O]	[mbar]
200	49	18	455	347	635	2	309	30,3
300	48	28	701	524	968	3	372	36,5
500	60	38	947	844	1443	4	419	41,1
800	59	59	1466	1301	2230	6	718	70,4
1000	54	86	2127	1776	3123	10	1380	135,3
1500	53	133	3290	2677	4761	15	2295	225,1
2000	52	180	4453	3564	6384	20	2996	293,8
3000	65	216	5361	5144	8539	20	2436	238,9
4000	57	330	8168	6918	12092	20	3896	382,1
5000	60	401	9921	8639	14923	20	4707	461,6

Accessories on request


"Easy Control" Electronic Display

ART. NR.	FOR MODELS
5005000310002	WXC




Thermometer

Art. Nr.
5032240000107
5 units box



Titanium electronic anode

Art. Nr.	Model
5200000000008	200, 300
5200000000009	500, 800
5200000000011	1000, 1500
5200000000013	2000÷5000

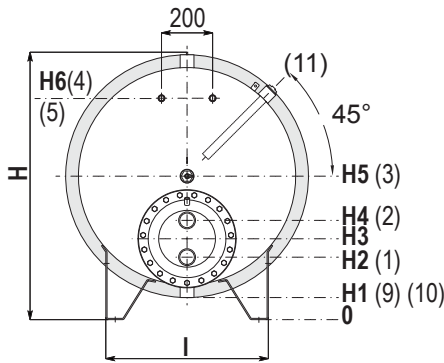
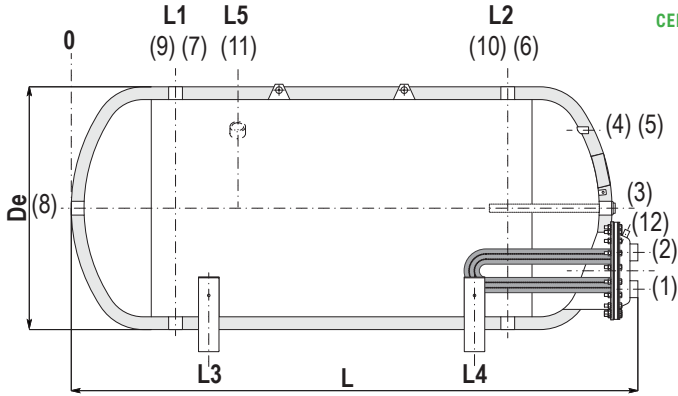
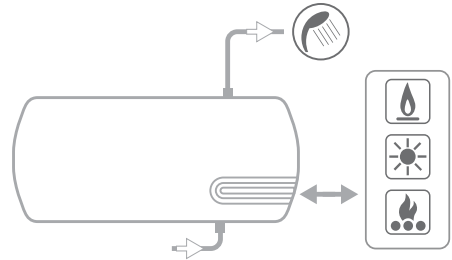


EXTRA1 HORIZONTAL

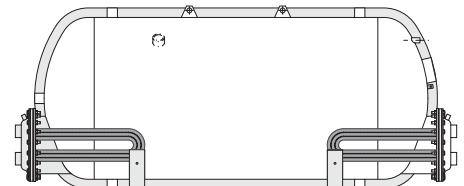
POLYWARM® COATED CALORIFIERS WITH 1 STAINLESS STEEL EXTRACTABLE HEAT EXCHANGER

STORAGE		HEAT EXCHANGER	
Pmax	Tmax	Pmax	Tmax
8 bar	90 °C	12 bar	110 °C

CORDIVARI Lab
TÜV Rheinland Energie und Umwelt GmbH states that test procedures and Cordivari LAB are certified conforming to European standard EN 15332, as indicated by Ecodesign ERP Directive.



- | | |
|--------|---|
| 1 | Primary circuit outlet |
| 2 | Primary circuit inlet |
| 3 | Connection for magnesium anode |
| 4 - 5 | Connection for instrumentation 1/2" Gas F |
| 6 - 7 | Domestic hot water outlet |
| 8 | Recirculation |
| 9 - 10 | Domestic hot water inlet / Drain |
| 11 | Connection for 2 nd anode 1 1/4 Gas F (only for models > 1500) |
| 12 | Heat exchanger air purge 3/8" Gas F |



VERSION WITH 2 EXTRACTABLE HEAT EXCHANGERS ARE AVAILABLE UPON REQUEST

Model	Volume [lt]	De	L	H	L1	L2	L3	L4	L5	H1
					[mm]					
200	191	670	1594	693	344	1144	409	1079	//	43
300	292	770	1645	849	370	1170	440	1100	//	99
500	500	870	1934	946	395	1445	490	1350	//	96
800	795	970	2251	1042	425	1725	555	1595	//	92
1000	1045	1070	2281	1137	458	1758	588	1628	//	87
1500	1498	1210	2651	1240	474	2024	629	1869	//	90
2000	2064	1360	2706	1380	520	2070	660	1930	908	80
3000	2997	1350	2956	1524	495	2295	695	2095	945	154
4000	4184	1550	3066	1707	560	2360	665	2255	1010	137
5000	5131	1700	3107	1845	583	2383	783	2183	1033	125

Model	H2	H3	H4	H5	H6	I	1-2	4-5	3-8	6-7-9-10	11
	[mm]						Connections Gas F				
200	243	293	343	368	498	364	1"	1/2"	1 1/4"	1 1/4"	-
300	336	386	436	474	668	404	1"	1/2"	1 1/4"	1 1/4"	-
500	383	433	483	521	715	455	1"	1/2"	1 1/4"	1 1/4"	-
800	348	438	528	567	817	583	2"	1/2"	1 1/4"	1 1/2"	-
1000	277	367	457	612	917	644	2"	1/2"	1 1/2"	1 1/2"	-
1500	315	405	495	665	1020	759	2"	1/2"	2"	2"	-
2000	330	435	540	730	1085	848	2"	1/2"	2"	2"	1 1/4"
3000	324	429	534	829	1184	981	2"	1/2"	2"	2"	1 1/4"
4000	307	412	517	912	1267	1101	2"	1/2"	2"	3"	1 1/4"
5000	305	410	515	975	1330	1189	2"	1/2"	2"	3"	1 1/4"

EXTRA 1 VAPORE

POLYWARM® COATED CALORIFIERS WITH 1 STAINLESS STEEL EXTRACTABLE HEAT EXCHANGER FOR STEAM GENERATOR



APPLICATION

Production and storage of sanitary hot water. Suitable for steam generators.

MATERIAL

Mild steel Polywarm® coated (Attestation ACS - SSICA - DVGW - W270 - UBA - WRAS)

HEAT EXCHANGER

1 stainless steel 316L straight heat exchanger suitable for steam power.

INSULATION

- HARD: High thermal insulation with ecological polyurethane hard foam.
- SOFT: NOFIRE® polyester fleece 100% made of recyclable material, with high thermal insulation. Fire resistance class B-s2d0 according to EN 13501.

Grey PVC external lining complete with top and flange cover

CATHODE PROTECTION

Magnesium anode. Models > 1500 n° 2 magnesium anode.

DRAIN

External confluence through drain connection.

Models > 1000 external confluence through drain pipe.

GASKET- FLANGE PLATE

Asbestos-free fiber gaskets

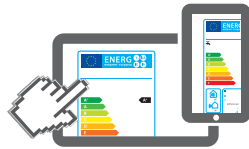
Mild steel exchanger head with anticorrosion treatment.

WARRANTY

5 years - See general sales conditions and warranty

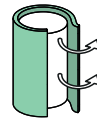
ACCESSORIES AND SPARE PARTS

See Accessories section for the entire list



www.cordivari.com/erp

On line ErP label tool



EXTRA 1 VAPORE WXB

Model	Art. Nr.	[m ²]	ENERGY EFFICIENCY CLASS
500	3069162360123	1	C
800	3069162360124	1,5	C
1000	3069162360125	2	C
1500	3069162360126	3	C
2000	3069162360127	3	C

EXTRA 1 VAPORE WXC

Model	Art. Nr.	[m ²]	ENERGY EFFICIENCY CLASS
800	3069162360134	1,5	C
1000	3069162360135	2	C
1500	3069162360136	3	C
2000	3069162360137	3	C
2500	3069162360111	3	
3000	3069162360108	3	
4000	3069162360109	4	
5000	3069162360110	5	

HEAT EXCHANGERS FOR STEAM GENERATOR TECHNICAL DATA

Model	PED	Upper heat Exchangers performances calculated with primary circuit at 6 bar saturated steam and production of DHW from 10° to 45°C				Upper heat Exchangers performances calculated with primary circuit at 3 bar saturated steam and production of DHW from 10° to 45°C			
		Output	DHW production		Ignition time	Output	DHW production		Ignition time
		[kW]	[l/h]	[l/10']	[min]	[kW]	[l/h]	[l/10']	[min]
500	Art. 4.3	141	3464	1189	9	114	2793	1077	11
800	Cat. I	212	5196	1869	9	171	4189	1701	12
1000	Cat. I	282	6928	2463	9	227	5585	2239	11
1500	Cat. I	423	10393	3554	9	341	8378	3218	11
2000	Cat. I	423	10393	4228	12	341	8378	3892	15
2500	Cat. I	423	10393	4571	13	341	8378	4235	17
3000	Cat. I	423	10393	5438	17	341	8378	5102	22
4000	Cat. I	564	13857	7031	17	455	11171	6583	21
5000	Cat. I	705	17321	9097	17	568	13963	8537	22

Accessories on request

"Easy Control" Electronic Display

ART. NR.	FOR MODELS
5005000310002	WXC
5005000310003	WXB



Thermometer

Art. Nr.
5032240000107
5 units box



Titanium electronic anode

Art. Nr.	Model
5200000000009	500, 800
5200000000011	1000, 1500
5200000000013	2000÷5000

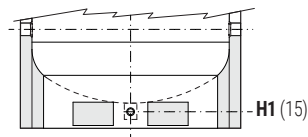
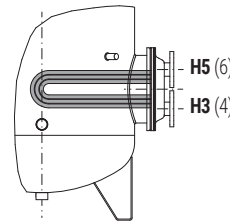
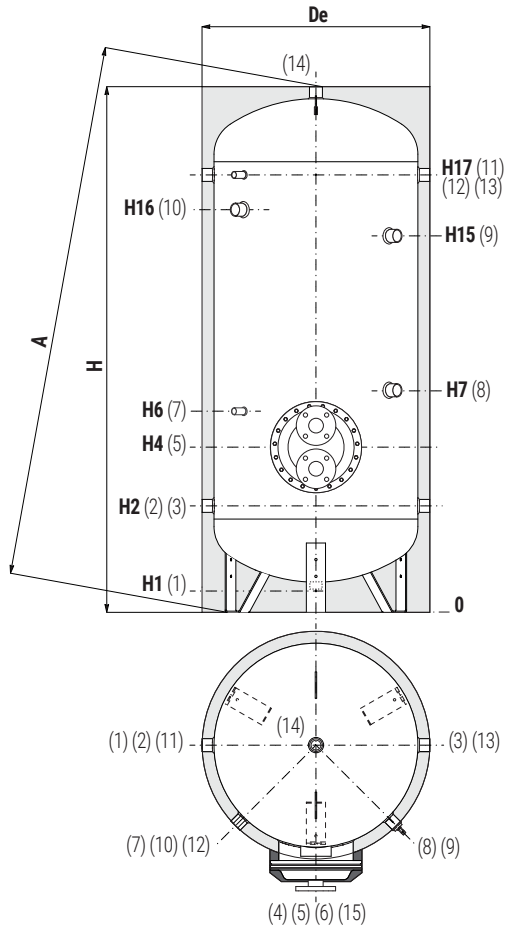
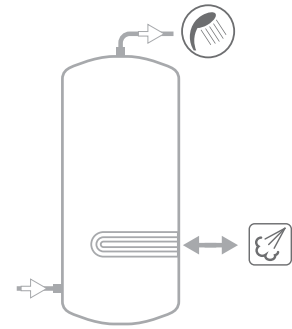


EXTRA1 VAPORE

POLYWARM® COATED CALORIFIERS WITH 1 STAINLESS STEEL EXTRACTABLE HEAT EXCHANGER FOR STEAM GENERATOR

Model	STORAGE		HEAT EXCHANGER	
	P _{max}	T _{max}	P _{max}	T _{max}
500 ÷ 1000	8 bar	90 °C	6 bar	165 °C
1500 ÷ 5000	6 bar			

CORDIVARI Lab
TÜV Rheinland Energie und Umwelt GmbH states that test procedures and Cordivari LAB are certified conforming to European standard EN 15332, as indicated by Ecodesign ErP Directive.



Models from 1500 to 5000 have two grips on the bottom which allow the use of forklift when handling and drain pipe already fitted.

- 1 Drain 1" 1/4 F
For model 800 connection 1" 1/2 F
- 2 Domestic cold water circuit inlet
- 3 Alternative domestic cold water circuit inlet or connection for more boilers
- 4 Outlet for condense
- 5 Heat exchanger flange
- 6 Steam circuit inlet
- 7 Connection for instrumentation 1/2" F
- 8 Connection for magnesium anode 1" 1/4 F
- 9 Connection for 2nd anode 1" 1/4 F (only for models > 1000)
- 10 Connection for electrical immersion 1" 1/2 F
For models > 800 connection 2" F
- 11-13 Connection for recirculation or for domestic hot water
- 12 Connection for instrumentation 1/2" F
- 14 Domestic hot water outlet
- 15 Drain 1" F (only for models > 1500)

HARD FOAM INSULATION (WXB)

Model	Volume [litres]	Weight [kg]	De	H	A	H1	H2	H3	H4	H5	H6	H7	H15	H16	H17	5	Connections Gas F		
																	2-3	4-6	14
500	500	99	750	1800	1950	85	375	410	460	510	570	760	//	1329	1485	Øe 380	1"1/4	DN25 PN16	1"1/4
800	794	161	900	2135	2320	85	405	450	540	630	690	870	//	1610	1765	Øe 380	1"1/4	DN50 PN16	1"1/4
1000	1042	204	1000	2221	2436	105	458	503	593	683	743	993	//	1664	1818	Øe 380	1"1/2	DN50 PN16	1"1/4
1500	1445	250	1100	2415	2654	109	440	485	575	665	725	1075	//	1895	2050	Øe 380	1"1/2	DN50 PN16	1"1/2
2000	1977	288	1300	2492	2811	91	467	602	692	782	867	842	1952	1877	2057	Øe 380	2"	DN50 PN16	2"

SOFT FLEECE INSULATION (WXC)

Model	Volume [litres]	Weight [kg]	De	H	A	H1	H2	H3	H4	H5	H6	H7	H15	H16	H17	5	Connections Gas F		
																	2-3	4-6	14
800	794	161	970	2188	2210	113	433	478	568	658	718	898	//	1638	1793	Øe 380	1"1/4	DN25 PN16	1"1/4
1000	1042	204	1070	2242	2260	101	454	499	589	679	739	989	//	1660	1814	Øe 380	1"1/4	DN50 PN16	1"1/4
1500	1445	250	1210	2440	2485	109	440	485	575	665	725	1075	//	1895	2050	Øe 380	1"1/2	DN50 PN16	1"1/4
2000	1977	288	1360	2492	2560	91	467	602	692	782	867	842	1952	1877	2057	Øe 380	1"1/2	DN50 PN16	1"1/2
2500	2312	331	1350	2311	2470	140	551	686	776	866	951	976	1816	1732	1891	Øe 380	2"	DN50 PN16	2"
3000	2918	377	1350	2811	2940	140	551	686	776	866	951	1036	2316	2232	2391	Øe 380	2"	DN50 PN16	2"
4000	3769	530	1500	2875	3040	114	570	690	795	900	970	1035	2315	2238	2410	Øe 380	2"	DN50 PN16	2"
5000	4982	663	1700	2915	3120	94	580	700	805	910	980	1035	2335	2265	2420	Øe 430	2"	DN50 PN16	2"

P.E.D. product designed and produced in conformity to the article 4.3 of directive 2014/68/UE - ErP Ecodesign directive 2009/125/CE

EXTRA-BOLLY® CALORIFIERS
BOLLYTERM® CALORIFIERS
STAINLESS STEEL CALORIFIERS
CALORIFIERS FOR HEAT PUMP
MULTIFUEL ENERGY CYLINDERS - PUFFER
HYDRONIC
INERTIAL TANKS
WATER PRESSURE TANKS
COMPRESSED AIR RECEIVERS
ACCESSORIES AND SPARE PARTS
TECHNICAL SUPPORT

EXTRA 2 VAPORE

POLYWARM® COATED CALORIFIERS WITH 2 STAINLESS STEEL EXTRACTABLE HEAT EXCHANGERS FOR STEAM GENERATOR



APPLICATION

Production and storage of sanitary hot water. Suitable for steam generators.

MATERIAL

Mild steel Polywarm® coated (Attestation ACS - SSICA - DVGW - W270 - UBA - WRAS)

HEAT EXCHANGER

2 stainless steel 316L straight heat exchangers suitable for steam power.

INSULATION (DISMOUNTABLE)

NOFIRE® polyester fleece 100% made of recyclable material, with high thermal insulation. Fire resistance class B-s2d0 according to EN 13501. Grey PVC external lining.

CATHODE PROTECTION

2 magnesium anodes.

DRAIN

External confluence through drain connection.

GASKET- FLANGE PLATE

Asbestos-free fiber gaskets

Mild steel exchanger head with anticorrosion treatment.

WARRANTY

5 years - See general sales conditions and warranty

ACCESSORIES AND SPARE PARTS

See Accessories section for the entire list

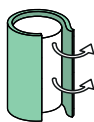


SOFT FLEECE INSULATION



EXTRA 2 VAPORE WXC

STAINLESS STEEL HEAT EXCHANGER SURFACE



Model	DISMOUNTABLE SOFT FLEECE insulation Art. Nr.	STAINLESS STEEL HEAT EXCHANGER SURFACE	
		Lower	Upper
		[m ²]	
3000	3069162363008	3	3
4000	3069162363009	4	4
5000	3069162363010	5	5

HEAT EXCHANGERS FOR STEAM GENERATOR TECHNICAL DATA

HEAT EXCHANGERS	Model	PED	Upper heat Exchangers performances calculated with primary circuit at 6 bar saturated steam and production of DHW from 10° to 45°C				Upper heat Exchangers performances calculated with primary circuit at 3 bar saturated steam and production of DHW from 10° to 45°C			
			Output	DHW production		Ignition time	Output	DHW production		Ignition time
			[kW]	[l/h]	[l/10']	[min]	[kW]	[l/h]	[l/10']	[min]
MIDDLE	3000	Cat. I	423	10393	4098	11	341	8378	3762	14
	4000	Cat. I	564	13857	5349	11	455	11171	4902	13
	5000	Cat. I	705	17321	6907	11	568	13963	6347	14
LOWER	3000	Cat. I	423	10393	5438	17	341	8378	5102	22
	4000	Cat. I	564	13857	7031	17	455	11171	6583	21
	5000	Cat. I	705	17321	9097	17	568	13963	8537	22

Accessories on request

"Easy Control" Electronic Display

ART. NR.	FOR MODELS
5005000310002	WXC



Thermometer

Art. Nr.
5032240000107
5 units box



Titanium electronic anode

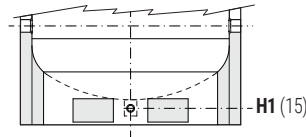
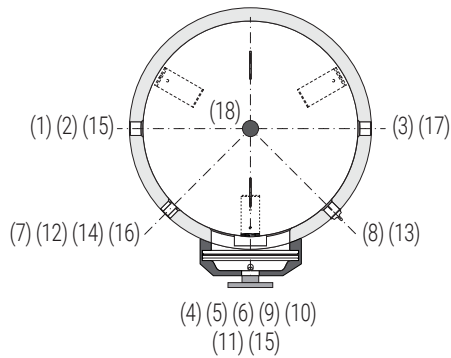
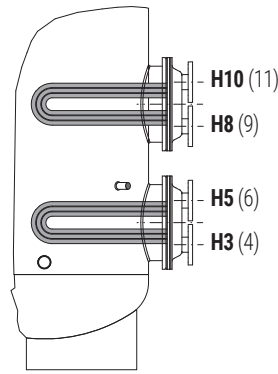
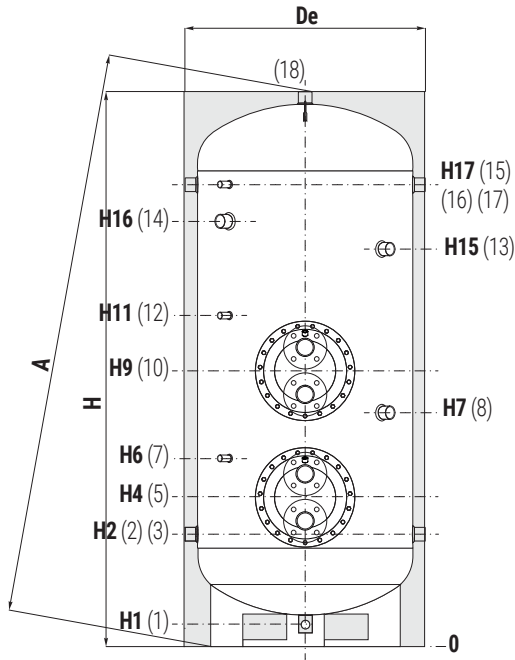
Art. Nr.	Model
5200000000013	3000+5000



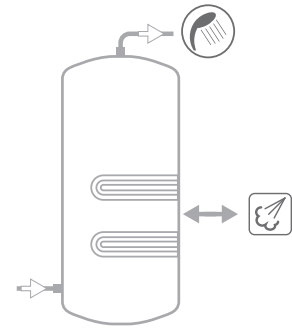
EXTRA 2 VAPORE

POLYWARM® COATED CALORIFIERS WITH 2 STAINLESS STEEL EXTRACTABLE HEAT EXCHANGERS FOR STEAM GENERATOR

STORAGE		HEAT EXCHANGER	
Pmax	Tmax	Pmax	Tmax
6 bar	90 °C	6 bar	165 °C



Tanks have two grips on the bottom which allow the use of forklift when handling and drain pipe already fitted.



- 1** Drain 1" Gas F
- 2** Domestic cold water circuit inlet
- 3** Alternative domestic cold water circuit inlet or connection for more boilers
- 4** Outlet for condense
- 5** Heat exchanger flange Lower
- 6** Steam circuit inlet
- 7-12** Connection for instrumentation 1/2" Gas F
- 8** Connection for magnesium anode 1 1/4" Gas F
- 9** Outlet for condense
- 10** Heat exchanger flange Upper
- 11** Steam circuit inlet
- 13** Connection for 2nd anode 1 1/4" Gas F
- 14** Connection for electrical immersion 2" Gas F
- 15-17** Connection for recirculation or for domestic hot water
- 16** Connection for instrumentation 1/2" Gas F
- 18** Domestic hot water outlet

Model	Volume [litres]	Weight [Kg]	De	H	A	H1	H2	H3	H4	H5	H6	H7
3000	2923	440	1350	2811	3076	140	551	686	776	866	951	1036
4000	3776	620	1500	2875	3198	114	570	690	795	900	970	1035
5000	4990	763	1700	2915	3325	94	580	700	805	910	980	1035

Model	H8	H9	H10	H11	H15	H16	H17	5 10	Connections Gas F				
									2-3 15-17-18	4-6 9-11	7-12-16	8-13	21
3000	1386	1476	1566	1651	2316	2232	2391	∅e 380	2"	DN50 PN16	1/2"	1 1/4"	1"
4000	1390	1495	1600	1670	2315	2238	2410	∅e 430	2"	DN50 PN16	1/2"	1 1/4"	1"
5000	1400	1505	1610	1680	2335	2265	2420	∅e 430	2"	DN50 PN16	1/2"	1 1/4"	1"

P.E.D. product designed and produced in conformity to the article 4.3 of directive 2014/68/UE - ErP Ecodesign directive 2009/125/CE

EXTRA-BOLLY® CALORIFIERS
BOLLYTERM® CALORIFIERS
STAINLESS STEEL CALORIFIERS
CALORIFIERS FOR HEAT PUMP
MULTIFUEL ENERGY CYLINDERS - PUFFER
HYDRONIC
INERTIAL TANKS
WATER PRESSURE TANKS
COMPRESSED AIR RECEIVERS
ACCESSORIES AND SPARE PARTS
TECHNICAL SUPPORT

EXTRA 1 PLUS

POLYWARM® COATED CALORIFIERS WITH 1 EXTRACTABLE FINNED COPPER HEAT EXCHANGER



APPLICATION

Production and storage of domestic hot water.

MATERIAL

Mild steel Polywarm® coated (Attestation ACS - SSICA - DVGW - W270 - UBA - WRAS)

HEAT EXCHANGER

1 copper finned and tinned heat exchanger.

INSULATION

- HARD: High thermal insulation with ecological polyurethane hard foam.
- SOFT: NOFIRE® polyester fleece 100% made of recyclable material, with high thermal insulation. Fire resistance class B-s2d0 according to EN 13501.

Grey PVC external lining complete with top and flange cover

CATHODE PROTECTION

Magnesium anode. Models > 1500 n° 2 magnesium anode.

DRAIN

External confluence through drain connection.

Models > 1000 external confluence through drain pipe.

GASKET- FLANGE PLATE

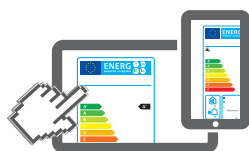
Silicone gaskets suitable for alimentary use for max temperature up to 200°C. Mild steel inspection flange plate with Polywarm®

WARRANTY

5 years - See general sales conditions and warranty

ACCESSORIES AND SPARE PARTS

See Accessories section for the entire list.



www.cordivari.com/erp

On line ErP label tool

EXTRA 1 PLUS WRB

Model	HARD FOAM insulation		HEAT EXCHANGER SURFACE [m ²]	ENERGY EFFICIENCY CLASS
	Art. Nr.			
200	3074162352302		0,76	C
300	3074162352303		0,94	C
500	3074162352304		1,58	C
800	3074162352305		2,63	C
1000	3074162352306		3,17	C
1500	3074162352307		4,54	C
2000	3074162352308		5,26	C

EXTRA 1 PLUS WRC

Model	DISMOUNTABLE SOFT FLEECE insulation		HEAT EXCHANGER SURFACE [m ²]	ENERGY EFFICIENCY CLASS
	Art. Nr.			
500	3072162352334		1,58	C
800	3072162352335		2,63	C
1000	3072162352336		3,17	C
1500	3072162352337		4,54	C
2000	3072162352338		5,26	C
2500	3072162352313		6,34	
3000	3072162352309		6,34	
4000	3072162352310		6,34	
5000	3072162352312		6,34	

ELECTRICAL IMMERSION HEATERS

Mod.	Volume of water heated by the electrical immersion [lit]	MONOPHASE			THREEPHASE					
		1,5 kW	2 kW	3 kW	4 kW	5 kW	6 kW	9 kW	12 kW	
		5240000000051	5240000000052	5240000000053	5240000000047	5240000000048	5240000000049	5240000000050	5240000000031	
		Ignition time from 10 °C to 45 °C with immersion heaters [min]								
200	49	87	65	44	//	//	//	//	//	
300	76	136	102	68	//	//	//	//	//	
500	127	228	171	114	//	//	//	//	//	
800	178	318	239	159	//	//	//	//	//	
1000	243	436	327	218	163	131	109	73	54	
1500	288	516	387	258	194	155	129	86	65	
2000	443	793	595	396	297	238	198	132	99	
2500	577	1033	775	517	387	310	258	172	129	
3000	577	1033	775	517	387	310	258	172	129	
4000	797	1428	1071	714	535	428	357	238	178	
5000	1040	1864	1398	932	699	559	466	311	233	

Accessories on request

"Easy Control" Electronic Display

ART. NR.	FOR MODELS
5005000310002	WRC
5005000310003	WRB



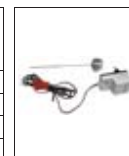
Thermometer

Art. Nr.
5032240000107
5 units box



Titanium electronic anode

Art. Nr.	Model
5200000000008	200, 300
5200000000009	500, 800
5200000000011	1000, 1500
5200000000013	2000÷5000

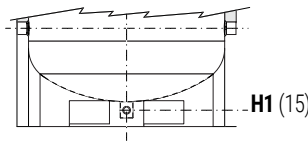
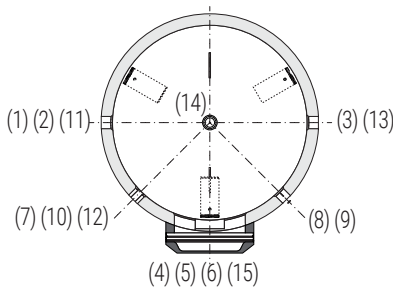
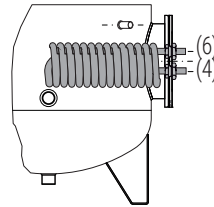
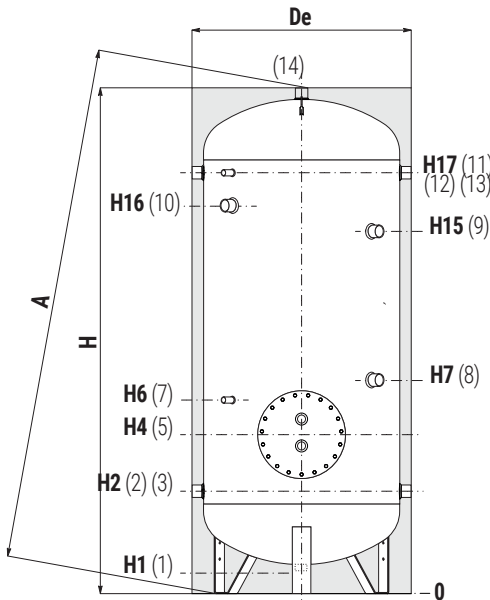
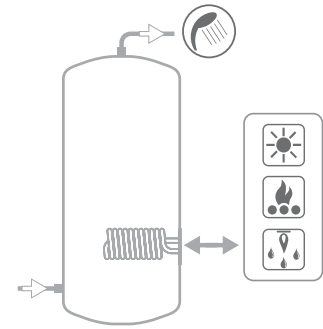


EXTRA1 PLUS

POLYWARM® COATED CALORIFIERS WITH 1 EXTRACTABLE FINNED COPPER HEAT EXCHANGER

Model	STORAGE		HEAT EXCHANGER	
	Pmax	Tmax	Pmax	Tmax
200 ÷ 1000	8 bar	90 °C	12 bar	110 °C
1500 ÷ 5000	6 bar			

CORDIVARI Lab
TÜV Rheinland Energie und Umwelt GmbH states that test procedures and Cordivari LAB are certified conforming to European standard EN 15332, as indicated by Ecodesign ErP Directive.



Models from 1500 to 5000 have two grips on the bottom which allow the use of forklift when handling and drain pipe already fitted.

- | | |
|---------------|--|
| 1 | Drain 1" 1/4 Gas F
For model 1000 connection 1"1/2 Gas F |
| 2 | Domestic cold water circuit inlet |
| 3 | Alternative domestic cold water circuit inlet or connection for more boilers |
| 4 | Primary circuit outlet |
| 5 | Heat exchanger flange |
| 6 | Primary circuit inlet |
| 7 | Connection for instrumentation 1/2" Gas F |
| 8 | Connection for magnesium anode 1" 1/4 Gas F |
| 9 | Connection for 2 nd anode 1"1/4 Gas F (only for models > 1500) |
| 10 | Connection for electrical immersion 1" 1/2 Gas F
For models > 800 connection 2" Gas F |
| 11- 13 | Connection for recirculation or for domestic hot water |
| 12 | Connection for instrumentation 1/2" Gas F |
| 14 | Domestic hot water outlet |
| 15 | Drain 1" Gas F (only for models > 1000) |

HARD FOAM INSULATION (WRB)

Model	Volume [litres]	De	H	A	H1	H2	H4	H6	H7	H15	H16	H17	5	Connections Gas F	
														2-3	14
		[mm]												11-13	
200	191	550	1449	1550	85	325	410	520	650	//	1075	1185	Øe 300	1"1/4	1"1/4
300	292	650	1499	1634	85	350	435	545	735	//	1100	1210	Øe 300	1"1/4	1"1/4
500	500	750	1800	1950	85	375	460	570	760	//	1329	1485	Øe 300	1"1/4	1"1/4
800	791	900	2135	2317	85	405	490	600	870	//	1610	1765	Øe 300	1"1/4	1"1/4
1000	1040	1000	2221	2436	105	458	543	653	993	//	1664	1818	Øe 300	1"1/2	1"1/2
1500	1442	1100	2415	2654	109	440	525	635	1075	//	1895	2050	Øe 300	1"1/2	2"
2000	1974	1300	2492	2811	91	467	542	652	842	1952	1877	2057	Øe 300	2"	2"

SOFT FLEECE INSULATION (WRC)

Model	Volume [litres]	De	H	A	H1	H2	H4	H6	H7	H15	H16	H17	5	Connections Gas F	
														2-3	14
		[mm]												11-13	
500	500	870	1841	1988	101	416	501	611	801	//	1370	1526	Øe 300	1"1/4	1"1/4
800	791	970	2188	2210	113	433	518	628	898	//	1638	1793	Øe 300	1"1/4	1"1/4
1000	1040	1070	2242	2260	101	454	539	649	989	//	1660	1814	Øe 300	1"1/2	1"1/2
1500	1442	1210	2440	2485	109	440	525	635	1075	//	1895	2050	Øe 300	1"1/2	2"
2000	1974	1360	2492	2560	91	467	542	652	842	1952	1877	2057	Øe 300	2"	2"
2500	2310	1350	2311	2470	140	551	626	736	976	1816	1732	1891	Øe 300	2"	2"
3000	2916	1350	2811	2940	140	551	626	736	876	2316	2232	2391	Øe 300	2"	2"
4000	3764	1500	2875	3040	114	570	645	755	895	2315	2238	2410	Øe 300	2"	2"
5000	4978	1700	2915	3120	94	580	655	765	935	2335	2265	2420	Øe 300	2"	2"

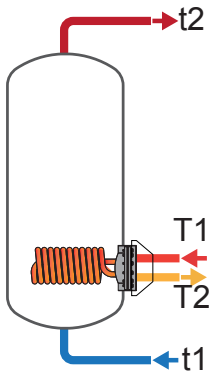
P.E.D. product designed and produced in conformity to the article 4.3 of directive 2014/68/UE - ErP Ecodesign directive 2009/125/CE

EXTRA-BOLLY® CALORIFIERS
BOLLYTERM® CALORIFIERS
STAINLESS STEEL CALORIFIERS
CALORIFIERS FOR HEAT PUMP
MULTIFUEL ENERGY CYLINDERS - PUFFER
HYDRONIC
INERTIAL TANKS
WATER PRESSURE TANKS
COMPRESSED AIR RECEIVERS
ACCESSORIES AND SPARE PARTS
TECHNICAL SUPPORT

EXTRA1PLUS - HEAT EXCHANGERS TECHNICAL DATA

Data have been calculated on following basis:

- 1) Primary circuit at T1 and proper energy source;
- 2) Production of DHW in continue way from 10 °C at t2;
- 3) DHW that can be taken in the first 10' and in the first hour from storage at 60°C, input 10°C and output 45°C;
- 4) Sanitary water according to UNI CTI 8065.



COPPER FINNED AND TINNED HEAT EXCHANGER

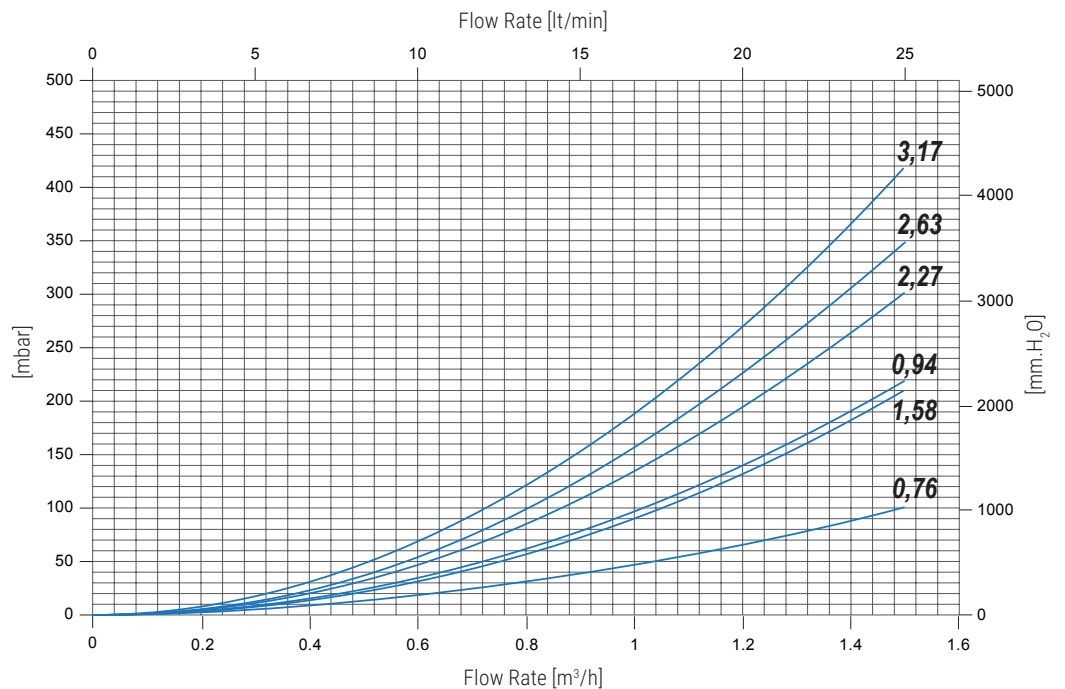
Model	Ignition time (minutes) from 10 °C to t2 and primary at T1				Maximum power exchange (kW) with primary at T1, secondary within 10-45 °C and constant use of DHW production				DHW continuous production lt/h within 10-45 °C and primary at T1			
	T1/t2				T1				T1			
	55/50	65/60	70/60	80/60	55	65	70	80	55	65	70	80
200	95	97	65	40	7	11	13,9	19	171	226	342	470
	106	107	72	45	6	10	12	17	161	262	315	427
300	119	118	79	49	8,7	14,4	17,4	24	214	353	428	586
	130	131	87	54	8,3	13,4	16,1	21	203	329	396	535
500	132	132	89	55	14,1	22,9	27,6	37,4	347	565	680	923
	150	151	103	65	13	21	25	33	321	509	606	809
800	137	138	94	59	23	36	44	56	562	900	1076	1443
	164	167	115	73	21	32	38	49	510	789	931	1222
1000	154	155	105	67	27	43	51	68	668	1062	1265	1688
	187	191	132	85	24	37	44	57	602	921	1082	1409
1500	139	140	95	59	40	65	77	104	988	1594	1910	2577
	162	164	113	72	37	57	68	90	906	1417	1678	2218
2000	168	169	115	72	46	74	88	118	1133	1820	2177	2925
	199	202	139	89	42	65	77	101	1033	1605	1895	2493
2500	163	164	112	71	55	87	104	139	1349	2150	2564	3428
	197	200	139	102	50	76	89	117	1221	1876	2206	2881
3000	214	216	147	93	55	87	104	139	1349	2150	2564	3428
	258	263	181	117	50	76	89	117	1221	1876	2206	2881
4000	274	276	187	118	55	87	104	139	1349	2150	2564	3428
	330	337	232	149	50	76	89	117	1221	1876	2206	2881
5000	361	364	247	156	55	87	104	139	1349	2150	2564	3428
	436	445	305	196	50	76	89	117	1221	1876	2206	2881

PRESSURE LOSS - COPPER FINNED AND TINNED HEAT EXCHANGER



Heat exchanger surface [m²]

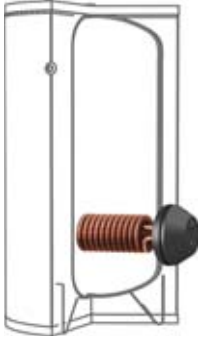
200	0,76
300	0,94
500	1,58
800	2,63
1000	3,17



EXTRA1 PLUS - HEAT EXCHANGERS TECHNICAL DATA

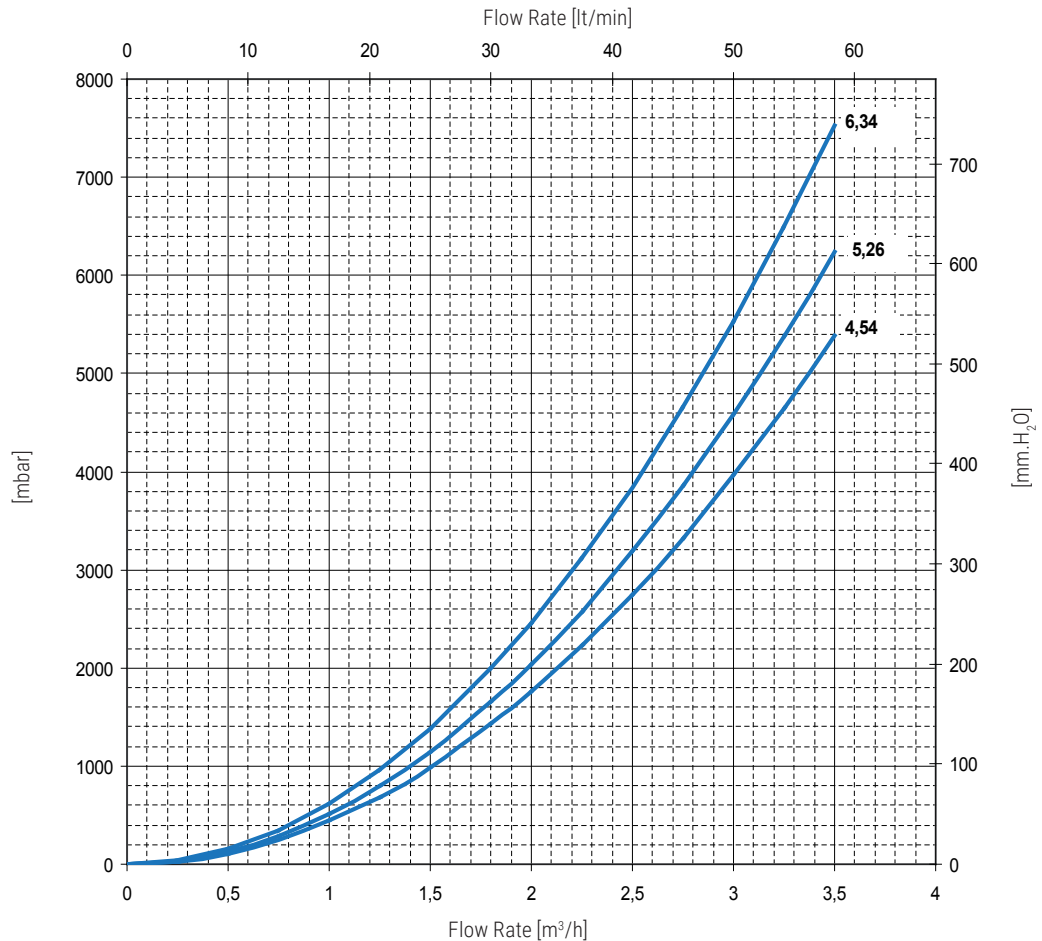
DHW produced in the first 10 minutes in lt/10' input 10 °C output 45 °C, storage at t2 and primary at T1				DHW produced in the first hour in lt/60' input 10 °C output 45 °C, storage at t2 and primary at T1				Flow rate [m³/h]	Exchanger pressure loss	
T1/t2				T1/t2					[mm.H ₂ O]	[mbar]
55/50	65/60	70/60	80/60	55/50	65/60	70/60	80/60			
211	266	286	307	320	409	502	605	1,4	895	87,8
210	272	281	300	312	438	481	570	0,7	223	21,9
313	406	418	445	449	630	690	816	1,4	1936	189,9
312	402	413	436	440	610	664	775	0,7	484	47,5
547	706	725	765	767	1063	1155	1350	1,4	1861	182,5
543	696	712	746	746	1019	1096	1259	0,7	465	45,6
896	1153	1182	1243	1252	1723	1864	2157	1,4	3097	303,7
887	1134	1158	1207	1210	1634	1748	1980	0,7	774	75,9
1158	1486	1519	1590	1581	2158	2321	2659	1,4	3733	366,1
1147	1462	1489	1543	1528	2045	2174	2436	0,7	933	91,5
1622	2087	2140	2251	2248	3097	3349	3883	3	2878	282,2
1608	2058	2101	2191	2182	2955	3164	3596	1,5	720	70,6
2185	2799	2859	2983	2903	3952	4237	4836	3	2878	282,2
2169	2763	2812	2911	2823	3780	4012	4490	1,5	720	70,6
2496	3197	3266	3410	3350	4559	4890	5581	3	4588	449,9
2474	3151	3206	3319	3248	4339	4603	5143	1,5	1147	112,5
3189	4064	4133	4277	4044	5426	5757	6448	3	5530	542,3
3168	4018	4073	4186	3941	5207	5471	6011	1,5	1382	135,5
4002	5080	5149	5293	4856	6441	6773	7464	3	5530	542,3
3981	5034	5089	5202	4754	6222	6486	7026	1,5	1382	135,5
5193	6568	6637	6781	6047	7930	8261	8952	3	5530	542,3
5172	6523	6578	6690	5945	7711	7975	8515	1,5	1382	135,5

PRESSURE LOSS - COPPER FINNED AND TINNED HEAT EXCHANGER



Heat exchanger surface [m²]

1500	4,54
2000	5,26
2500	6,34
3000	6,34
4000	6,34
5000	6,34



EXTRA 2 PLUS

POLYWARM® COATED CALORIFIERS WITH 2 EXTRACTABLE FINNED COPPER HEAT EXCHANGERS



APPLICATION

Production and storage of domestic hot water.

MATERIAL

Mild steel Polywarm® coated (Attestation ACS - SSICA - DVGW - W270 - UBA - WRAS)

HEAT EXCHANGER

2 copper finned and tinned heat exchangers.

INSULATION

- HARD: High thermal insulation with ecological polyurethane hard foam.
- SOFT: NOFIRE® polyester fleece 100% made of recyclable material, with high thermal insulation. Fire resistance class B-s2d0 according to EN 13501.

Grey PVC external lining complete with top and flange cover

CATHODE PROTECTION

Magnesium anode. Models > 1500 n° 2 magnesium anode.

DRAIN

External confluence through drain connection.

Models > 1000 external confluence through drain pipe.

GASKET- FLANGE PLATE

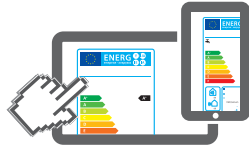
Silicone gaskets suitable for alimentary use for max temperature up to 200°C. Mild steel inspection flange plate with Polywarm®

WARRANTY

5 years - See general sales conditions and warranty

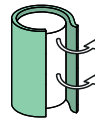
ACCESSORIES AND SPARE PARTS

See Accessories section for the entire list.



www.cordivari.com/erp

On line ErP label tool



EXTRA 2 PLUS WRB

HEAT EXCHANGER SURFACE

ENERGY EFFICIENCY CLASS

Model	HARD FOAM insulation Art. Nr.	HEAT EXCHANGER SURFACE		ENERGY EFFICIENCY CLASS
		Lower	Upper	
		[m ²]		
200	3084162352301	0,76	0,76	C
300	3084162352302	0,94	0,76	C
500	3084162352303	1,58	0,76	C
800	3084162352304	2,63	0,94	C
1000	3084162352305	3,17	1,58	C
1500	3084162352306	4,54	2,63	C
2000	3084162352307	5,26	3,17	C

EXTRA 2 PLUS WRC

HEAT EXCHANGER SURFACE

ENERGY EFFICIENCY CLASS

Model	DISMOUNTABLE SOFT FLEECE insulation Art. Nr.	HEAT EXCHANGER SURFACE		ENERGY EFFICIENCY CLASS
		Lower	Upper	
		[m ²]		
500	3082162352333	1,58	0,76	C
800	3082162352334	2,63	0,94	C
1000	3082162352335	3,17	1,58	C
1500	3082162352336	4,54	2,63	C
2000	3082162352337	5,26	3,17	C
2500	3082162352313	6,34	4,54	
3000	3082162352309	6,34	5,26	
4000	3082162352310	6,34	6,34	
5000	3082162352312	6,34	6,34	

ELECTRICAL IMMERSION HEATERS

MONOPHASE

Mod.	Volume of water heated by the electrical immersion [lit]	1,5 kW	2 kW	3 kW
		5240000000051	5240000000052	5240000000053
Ignition time from 10 °C to 45 °C with immersion heaters [min]				
200	49	87	65	44
300	76	136	102	68
500	127	228	171	114
800	178	318	239	159
1000	243	436	327	218
1500	288	516	387	258
2000	443	793	595	396
2500	577	1033	775	517
3000	577	1033	775	517
4000	797	1428	1071	714
5000	1040	1864	1398	932

THREEPHASE

4 kW	5 kW	6 kW	9 kW	12 kW
5240000000047	5240000000048	5240000000049	5240000000050	5240000000031
Ignition time from 10 °C to 45 °C with immersion heaters [min]				
//	//	//	//	//
//	//	//	//	//
//	//	//	//	//
//	//	//	//	//
163	131	109	73	54
194	155	129	86	65
297	238	198	132	99
387	310	258	172	129
387	310	258	172	129
535	428	357	238	178
699	559	466	311	233

Accessories on request

"Easy Control" Electronic Display

ART. NR.	FOR MODELS
5005000310002	WRC
5005000310003	WRB



Thermometer

Art. Nr.
5032240000107
5 units box



Titanium electronic anode

Art. Nr.	Model
5200000000008	200, 300
5200000000009	500, 800
5200000000011	1000, 1500
5200000000013	2000÷5000

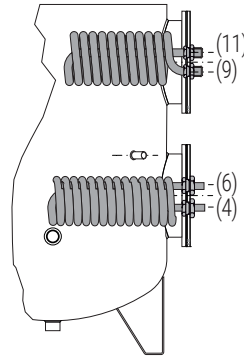
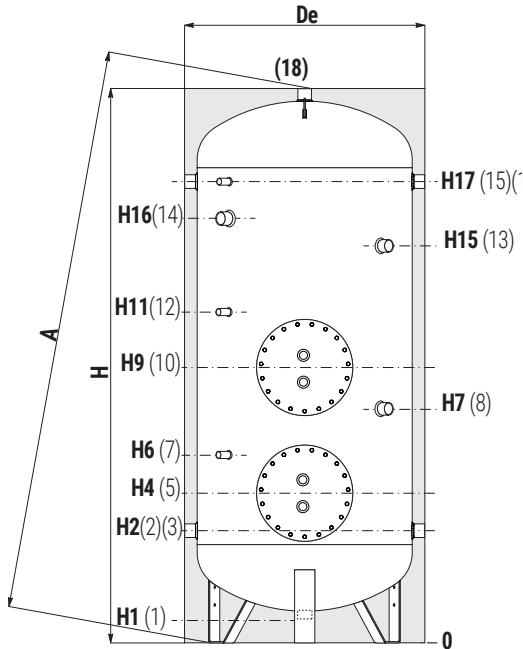
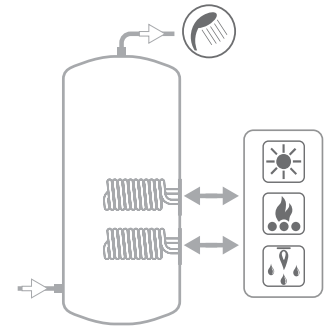


EXTRA 2 PLUS

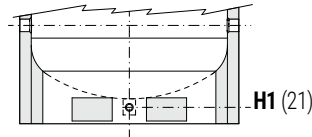
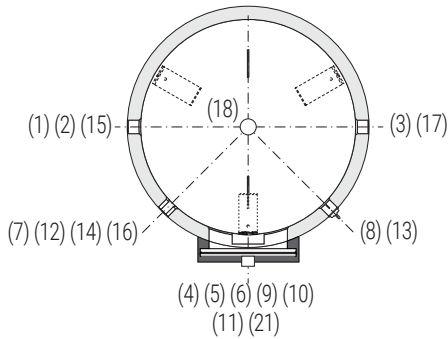
POLYWARM® COATED CALORIFIERS WITH 2 EXTRACTABLE FINNED COPPER HEAT EXCHANGERS

Model	STORAGE		HEAT EXCHANGER	
	Pmax	Tmax	Pmax	Tmax
200 ÷ 1000	8 bar	90 °C	12 bar	110 °C
1500 ÷ 5000	6 bar			

CORDIVARI Lab
TÜV Rheinland Energie und Umwelt GmbH states that test procedures and Cordivari LAB are certified conforming to European standard EN 15332, as indicated by Ecodesign ErP Directive.



- 1 Drain 1" 1/4 Gas F
For model 1000 connection 1"1/2 Gas F
- 2 Domestic cold water circuit inlet
- 3 Alternative domestic cold water circuit inlet or connection for more boilers
- 4 Lower heat exchanger outlet
- 5 Heat exchanger flange Lower Øe 300
- 6 Lower heat exchanger inlet
- 7 Connection for instrumentation 1/2" Gas F
- 8 Connection for magnesium anode 1"1/4 Gas F
- 9 Upper heat exchanger outlet
- 10 Heat exchanger flange Upper Øe 300
- 11 Upper heat exchanger inlet
- 12 16 Connection for instrumentation 1/2" Gas F
- 13 Connection for 2nd anode 1"1/4 Gas F (only for models > 1500)
- 14 Connection for electrical immersion 1"1/2 Gas F
For models > 800 connection 2" Gas F
- 15 Connection for recirculation or for domestic hot water
- 17 Connection for recirculation or for domestic hot water
- 18 Domestic hot water outlet
- 21 Drain 1" Gas F (only for models > 1000)



Models from 1500 to 5000 have two grippos on the bottom which allow the use of forklift when handling and drain pipe already fitted.

HARD FOAM INSULATION (WRB)

Model	Volume [litres]	De	H	A	H1	H2	H4	H6	H7	H9	H11	H15	H16	H17	Connections Gas F	
															2-3	18
200	193	550	1449	1550	85	325	410	520	650	860	970	//	1075	1185	1"1/4	1"1/4
300	295	650	1499	1635	85	350	435	545	735	885	995	//	1100	1210	1"1/4	1"1/4
500	503	750	1800	1950	85	375	460	570	760	910	1020	//	1329	1485	1"1/4	1"1/4
800	794	900	2135	2320	85	405	490	600	870	1090	1200	//	1610	1765	1"1/4	1"1/4
1000	1043	1000	2221	2436	105	458	543	653	993	1143	1253	//	1664	1818	1"1/2	1"1/2
1500	1445	1100	2415	2654	109	440	525	635	1075	1250	1360	//	1895	2050	1"1/2	2"
2000	1977	1300	2492	2811	91	467	542	652	842	1262	1372	1952	1877	2057	2"	2"

SOFT FLEECE INSULATION (WRC)

Model	Volume [litres]	De	H	A	H1	H2	H4	H6	H7	H9	H11	H15	H16	H17	Connections Gas F	
															2-3	18
500	503	870	1841	1988	101	416	501	611	801	951	1061	//	1370	1526	1"1/4	1"1/4
800	794	970	2188	2210	113	433	518	628	898	1118	1228	//	1638	1793	1"1/4	1"1/4
1000	1043	1070	2242	2260	101	454	539	649	989	1139	1249	//	1660	1814	1"1/2	1"1/2
1500	1445	1210	2440	2485	109	440	525	635	1075	1250	1360	//	1895	2050	1"1/2	2"
2000	1977	1360	2492	2560	91	467	542	652	842	1262	1372	1952	1877	2057	2"	2"
2500	2313	1350	2311	2470	140	551	626	736	876	1201	1311	1816	1732	1891	2"	2"
3000	2919	1350	2811	2940	140	551	626	736	876	1476	1586	2316	2232	2391	2"	2"
4000	3767	1500	2875	3040	114	570	645	755	895	1495	1605	2315	2238	2410	2"	2"
5000	4981	1700	2915	3120	94	580	655	765	935	1505	1615	2335	2265	2420	2"	2"

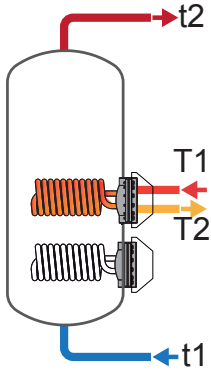
P.E.D. product designed and produced in conformity to the article 4.3 of directive 2014/68/UE - ErP Ecodesign directive 2009/125/CE

EXTRA-BOLLY® CALORIFIERS
BOLLYTERM® CALORIFIERS
STAINLESS STEEL CALORIFIERS
CALORIFIERS FOR HEAT PUMP
MULTIFUEL ENERGY CYLINDERS - PUFFER
HYDRONIC
INERTIAL TANKS
WATER PRESSURE TANKS
COMPRESSED AIR RECEIVERS
ACCESSORIES AND SPARE PARTS
TECHNICAL SUPPORT

EXTRA2 PLUS - HEAT EXCHANGERS TECHNICAL DATA

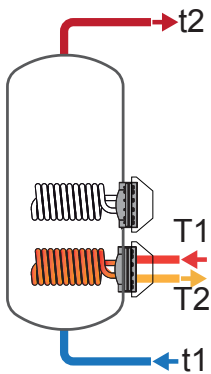
Data have been calculated on following basis:

- 1) Primary circuit at T1 and proper energy source;
- 2) Production of DHW in continue way from 10 °C at t2;
- 3) DHW that can be taken in the first 10' and in the first hour from storage at 60°C, input 10°C and output 45°C;
- 4) Sanitary water according to UNI CTI 8065.



UPPER COPPER FINNED AND TINNED HEAT EXCHANGERS

Model	Ignition time (minutes) from 10 °C to t2 and primary at T1				Maximum power exchange (kW) with primary at T1, secondary within 10-45 °C and constant use of DHW production				DHW continuous production lt/h within 10-45 °C and primary at T1			
	T1/t2				T1				T1			
	55/50	65/60	70/60	80/60	55	65	70	80	55	65	70	80
200	58	58	39	24	7	11	14	19	171	226	342	470
	64	64	43	27	6	10	12	17	161	262	315	427
300	89	89	59	36	7	11	14	19	171	226	342	470
	96	96	64	40	6	10	12	17	161	262	315	427
500	175	175	115	70	7	11	14	19	171	226	342	470
	192	193	127	79	6	10	12	17	161	262	315	427
800	247	248	162	99	9	14	17	24	214	353	428	586
	274	276	182	112	8	13	16	21	203	329	396	535
1000	187	187	125	77	14	23	28	37,4	347	565	680	923
	213	216	145	91	13	21	25	33	321	509	606	809
1500	168	170	115	72	23	36	44	56	562	900	1076	1443
	204	208	142	91	21	32	38	49	510	789	931	1222
2000	201	203	138	87	27	43	51	68	668	1062	1265	1688
	249	254	174	112	24	37	44	57	602	921	1082	1409
2500	126	126	85	53	40	65	77	104	988	1594	1910	2577
	146	148	102	65	37	57	68	90	906	1417	1678	2218
3000	160	161	109	69	46	74	88	118	1133	1820	2177	2925
	190	193	132	85	42	65	77	101	1033	1605	1895	2493
4000	176	178	121	76	55	87	104	139	1349	2150	2564	3428
	212	217	149	96	50	76	89	117	1221	1876	2206	2881
5000	234	236	160	101	55	87	104	139	1349	2150	2564	3428
	282	288	198	127	50	76	89	117	1221	1876	2206	2881



COPPER FINNED AND TINNED HEAT EXCHANGER

Model	Ignition time (minutes) from 10 °C to t2 and primary at T1				Maximum power exchange (kW) with primary at T1, secondary within 10-45 °C and constant use of DHW production				DHW continuous production lt/h within 10-45 °C and primary at T1			
	T1/t2				T1				T1			
	55/50	65/60	70/60	80/60	55	65	70	80	55	65	70	80
200	95	97	65	40	7	11	13,9	19	171	226	342	470
	106	107	72	45	6	10	12	17	161	262	315	427
300	119	118	79	49	8,7	14,4	17,4	24	214	353	428	586
	130	131	87	54	8,3	13,4	16,1	21	203	329	396	535
500	132	132	89	55	14,1	22,9	27,6	37,4	347	565	680	923
	150	151	103	65	13	21	25	33	321	509	606	809
800	137	138	94	59	23	36	44	56	562	900	1076	1443
	164	167	115	73	21	32	38	49	510	789	931	1222
1000	154	155	105	67	27	43	51	68	668	1062	1265	1688
	187	191	132	85	24	37	44	57	602	921	1082	1409
1500	139	140	95	59	40	65	77	104	988	1594	1910	2577
	162	164	113	72	37	57	68	90	906	1417	1678	2218
2000	168	169	115	72	46	74	88	118	1133	1820	2177	2925
	199	202	139	89	42	65	77	101	1033	1605	1895	2493
2500	163	164	112	71	55	87	104	139	1349	2150	2564	3428
	197	200	139	102	50	76	89	117	1221	1876	2206	2881
3000	214	216	147	93	55	87	104	139	1349	2150	2564	3428
	258	263	181	117	50	76	89	117	1221	1876	2206	2881
4000	274	276	187	118	55	87	104	139	1349	2150	2564	3428
	330	337	232	149	50	76	89	117	1221	1876	2206	2881
5000	361	364	247	156	55	87	104	139	1349	2150	2564	3428
	436	445	305	196	50	76	89	117	1221	1876	2206	2881

DHW produced in the first 10 minutes in lt/10' input 10 °C output 45 °C, storage at t2 and primary at T1				DHW produced in the first hour in lt/60' input 10 °C output 45 °C, storage at t2 and primary at T1				Flow rate	Exchanger pressure loss	
T1/t2				T1/t2					[m³/h]	[mm.H ₂ O]
55/50	65/60	70/60	80/60	55/50	65/60	70/60	80/60			
138	175	194	215	247	318	411	513	1,4	895	87,8
137	181	190	208	239	347	389	479	0,7	223	21,9
198	249	268	290	306	392	485	587	1,4	895	87,8
196	255	264	283	298	421	463	553	0,7	223	21,9
351	441	460	481	459	584	676	779	1,4	895	87,8
349	447	455	474	451	612	655	744	0,7	223	21,9
589	750	763	789	724	974	1034	1160	1,4	1936	189,9
587	746	757	781	716	955	1008	1119	0,7	484	47,5
744	951	970	1011	963	1309	1401	1596	1,4	1861	182,5
739	942	958	992	943	1264	1342	1504	0,7	465	45,6
1033	1324	1354	1415	1389	1894	2035	2329	1,4	3097	303,7
1024	1306	1329	1378	1347	1805	1919	2152	0,7	774	75,9
1422	1816	1849	1920	1845	2488	2651	2989	1,4	3733	366,1
1411	1792	1819	1873	1792	2375	2504	2766	0,7	933	91,5
1472	1900	1953	2064	2098	2909	3162	3696	3	2878	282,2
1458	1870	1914	2004	2032	2768	2977	3409	1,5	720	70,6
2081	2669	2729	2853	2799	3822	4107	4706	3	2878	282,2
2065	2633	2682	2781	2719	3650	3882	4360	1,5	720	70,6
2657	3398	3467	3611	3511	4760	5091	5782	3	5530	542,3
2636	3353	3408	3520	3409	4541	4805	5345	1,5	1382	135,5
3441	4378	4447	4591	4295	5740	6071	6762	3	5530	542,3
3420	4333	4388	4500	4193	5521	5785	6325	1,5	1382	135,5

DHW produced in the first 10 minutes in lt/10' input 10 °C output 45 °C, storage at t2 and primary at T1				DHW produced in the first hour in lt/60' input 10 °C output 45 °C, storage at t2 and primary at T1				Flow rate	Exchanger pressure loss	
T1/t2				T1/t2					[m³/h]	[mm.H ₂ O]
55/50	65/60	70/60	80/60	55/50	65/60	70/60	80/60			
211	266	286	307	320	409	502	605	1,4	895	87,8
210	272	281	300	312	438	481	570	0,7	223	21,9
313	406	418	445	449	630	690	816	1,4	1936	189,9
312	402	413	436	440	610	664	775	0,7	484	47,5
547	706	725	765	767	1063	1155	1350	1,4	1861	182,5
543	696	712	746	746	1019	1096	1259	0,7	465	45,6
896	1153	1182	1243	1252	1723	1864	2157	1,4	3097	303,7
887	1134	1158	1207	1210	1634	1748	1980	0,7	774	75,9
1158	1486	1519	1590	1581	2158	2321	2659	1,4	3733	366,1
1147	1462	1489	1543	1528	2045	2174	2436	0,7	933	91,5
1622	2087	2140	2251	2248	3097	3349	3883	3	2878	282,2
1608	2058	2101	2191	2182	2955	3164	3596	1,5	720	70,6
2185	2799	2859	2983	2903	3952	4237	4836	3	2878	282,2
2169	2763	2812	2911	2823	3780	4012	4490	1,5	720	70,6
2496	3197	3266	3410	3350	4559	4890	5581	3	4588	449,9
2474	3151	3206	3319	3248	4339	4603	5143	1,5	1147	112,5
3189	4064	4133	4277	4044	5426	5757	6448	3	5530	542,3
3168	4018	4073	4186	3941	5207	5471	6011	1,5	1382	135,5
4002	5080	5149	5293	4856	6441	6773	7464	3	5530	542,3
3981	5034	5089	5202	4754	6222	6486	7026	1,5	1382	135,5
5193	6568	6637	6781	6047	7930	8261	8952	3	5530	542,3
5172	6523	6578	6690	5945	7711	7975	8515	1,5	1382	135,5

EXTRA 3 PLUS

POLYWARM® COATED CALORIFIERS WITH 3 EXTRACTABLE FINNED COPPER HEAT EXCHANGERS



APPLICATION

Production and storage of domestic hot water.

MATERIAL

Mild steel Polywarm® coated (Attestation ACS - SSICA - DVGW - W270 - UBA - WRAS)

HEAT EXCHANGER

3 copper finned and tinned heat exchangers.

INSULATION

- HARD: High thermal insulation with ecological polyurethane hard foam.
- SOFT: NOFIRE® polyester fleece 100% made of recyclable material, with high thermal insulation. Fire resistance class B-s2d0 according to EN 13501.

Grey PVC external lining complete with top and flange cover

CATHODE PROTECTION

Magnesium anode. Models > 1500 n° 2 magnesium anode.

DRAIN

External confluence through drain connection.

GASKET- FLANGE PLATE

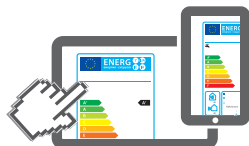
Silicone gaskets suitable for alimentary use for max temperature up to 200°C. Mild steel inspection flange plate with Polywarm®

WARRANTY

5 years - See general sales conditions and warranty

ACCESSORIES AND SPARE PARTS

See Accessories section for the entire list.



www.cordivari.com/erp

On line ErP label tool

EXTRA 3 PLUS WRB

Model	HARD FOAM insulation Art. Nr.	HEAT EXCHANGER SURFACE			ENERGY EFFICIENCY CLASS
		Lower	Middle	Upper	
1500	3094162352306	4,54	2,63	1,58	C
2000	3094162352307	5,26	4,54	2,63	C

EXTRA 3 PLUS WRC

Model	DISMOUNTABLE SOFT FLEECE insulation Art. Nr.	HEAT EXCHANGER SURFACE			ENERGY EFFICIENCY CLASS
		Lower	Middle	Upper	
1500	3092162352336	4,54	2,63	1,58	C
2000	3092162352337	5,26	4,54	2,63	C
2500	3092162352313	6,34	4,54	2,63	
3000	3092162352309	6,34	5,26	3,17	
4000	3092162352310	6,34	5,26	4,54	
5000	3092162352312	6,34	6,34	5,26	

ELECTRICAL IMMERSION HEATERS

Mod.	MONOPHASE			THREEPHASE				
	1,5 kW	2 kW	3 kW	4 kW	5 kW	6 kW	9 kW	12 kW
	5240000000051	5240000000052	5240000000053	5240000000047	5240000000048	5240000000049	5240000000050	5240000000031
	Ignition time from 10 °C to 45 °C with immersion heaters [min]							
1500	288	387	258	194	155	129	86	65
2000	443	793	396	297	238	198	132	99
2500	577	1033	517	387	310	258	172	129
3000	577	1033	517	387	310	258	172	129
4000	797	1428	714	535	428	357	238	178
5000	1040	1864	932	699	559	466	311	233

Accessories on request

"Easy Control" Electronic Display

ART. NR.	FOR MODELS
5005000310002	WRC
5005000310003	WRB



Thermometer

Art. Nr.
5032240000107
5 units box



Titanium electronic anode

Art. Nr.	Model
5200000000011	1500
5200000000013	2000÷5000

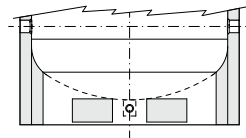
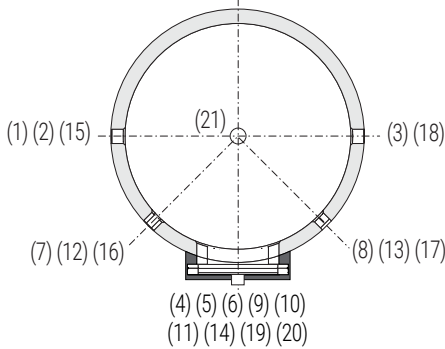
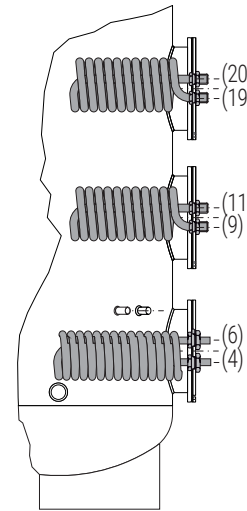
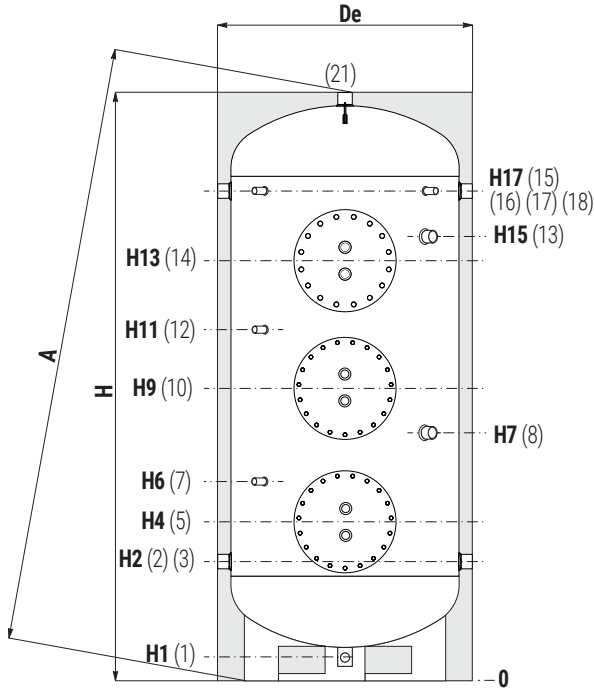
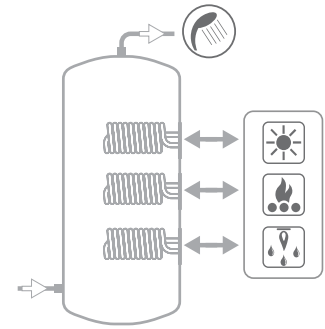


EXTRA 3 PLUS

POLYWARM® COATED CALORIFIERS WITH 3 EXTRACTABLE FINNED COPPER HEAT EXCHANGERS

STORAGE		HEAT EXCHANGER	
Pmax	Tmax	Pmax	Tmax
6 bar	90 °C	12 bar	110 °C

CORDIVARI Lab
TÜV Rheinland Energie und Umwelt GmbH states that test procedures and Cordivari LAB are certified conforming to European standard EN 15332, as indicated by Ecodesign ErP Directive.



- | | |
|----|--|
| 1 | Drain 1" Gas F |
| 2 | Domestic cold water circuit inlet |
| 3 | Alternative domestic cold water circuit inlet or connection for more boilers |
| 4 | Lower heat exchanger outlet |
| 5 | Lower heat exchanger flange Øe 300 |
| 6 | Lower heat exchanger inlet |
| 7 | Connection for instrumentation 1/2" Gas F |
| 8 | Connection for magnesium anode 1"1/4 Gas F |
| 9 | Middle heat exchanger outlet |
| 10 | Middle Heat exchanger flange Øe 300 |
| 11 | Middle heat exchanger inlet |
| 12 | Connection for instrumentation 1/2" Gas F |
| 13 | Connection for 2 nd anode 1"1/4 Gas F (only for models > 1500) |
| 14 | Upper heat exchanger flange Øe 300 |
| 15 | Connection for recirculation or for domestic hot water |
| 16 | Connection for instrumentation 1/2" Gas F |
| 17 | Upper heat exchanger outlet |
| 18 | Upper heat exchanger inlet |
| 20 | Upper heat exchanger inlet |
| 21 | Domestic hot water outlet 2" Gas F |

The calorifier have two grips on the bottom which allow the use of forklift when handling and drain pipe already fitted.

HARD FOAM INSULATION (WRB)

Model	Volume Weight		De	H	A	H1	H2	H4	H6	H7	H9	H11	H13	H15	H17	2-3	
	[litres]	[kg]														Connections Gas F	
1500	1448	227	1100	2415	2654	109	440	525	635	1075	1250	1360	1875	//	2050	1"1/2	
2000	1980	278	1300	2492	2811	91	467	542	652	842	1262	1372	1812	1592	2057	2"	

SOFT FLEECE INSULATION (WRC)

Model	Volume Weight		De	H	A	H1	H2	H4	H6	H7	H9	H11	H15	H16	H17	2-3	
	[litres]	[kg]														Connections Gas F	
1500	1448	227	1210	2440	2485	109	440	525	635	1075	1250	1360	1875	//	2050	1"1/2	
2000	1980	278	1360	2492	2560	91	467	542	652	842	1262	1372	1812	1592	2057	2"	
2500	2316	326	1350	2311	2470	140	551	626	736	876	1201	1311	1751	1426	1891	2"	
3000	2922	377	1350	2811	2940	140	551	626	736	876	1476	1586	2176	1926	2391	2"	
4000	3770	504	1500	2875	3040	114	570	645	755	895	1495	1605	2175	1895	2410	2"	
5000	4984	634	1700	2915	3120	94	580	655	765	935	1505	1615	2185	1855	2420	2"	

P.E.D. product designed and produced in conformity to the article 4.3 of directive 2014/68/UE - ErP Ecodesign directive 2009/125/CE

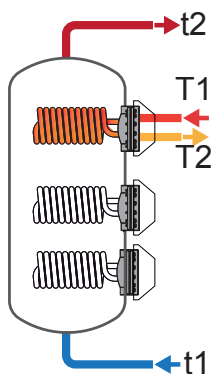
EXTRA-BOLLY® CALORIFIERS
BOLLYTERM® CALORIFIERS
STAINLESS STEEL CALORIFIERS
CALORIFIERS FOR HEAT PUMP
MULTIFUEL ENERGY CYLINDERS - PUFFER
HYDRONIC
INERTIAL TANKS
WATER PRESSURE TANKS
COMPRESSED AIR RECEIVERS
ACCESSORIES AND SPARE PARTS
TECHNICAL SUPPORT

EXTRA3 PLUS - HEAT EXCHANGERS TECHNICAL DATA

Data have been calculated on following basis:

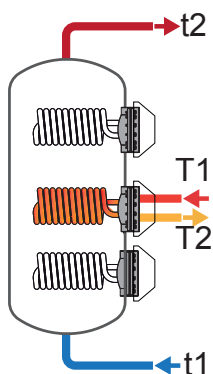
- 1) Primary circuit at T1 and proper energy source;
- 2) Production of DHW in continue way from 10 °C at t2;
- 3) DHW that can be taken in the first 10' and in the first hour from storage at 60°C, input 10°C and output 45°C;
- 4) Sanitary water according to UNI CTI 8065.

UPPER COPPER FINNED AND TINNED HEAT EXCHANGERS



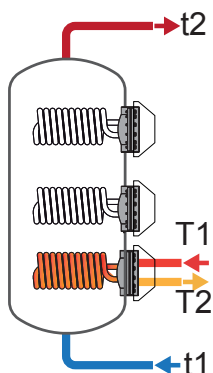
Model	Ignition time (minutes) from 10 °C to t2 and primary at T1				Maximum power exchange (kW) with primary at T1, secondary within 10-45 °C and constant use of DHW production				DHW continuous production lt/h within 10-45 °C and primary at T1			
	T1/t2				T1				T1			
	55/50	65/60	70/60	80/60	55	65	70	80	55	65	70	80
1500	122	122	81	50	14,1	22,9	27,6	37,4	562	900	1076	1443
	142	144	96	60	13	21	25	33	510	789	931	1222
2000	122	123	83	52	23	36	44	56	668	1062	1265	1688
	148	151	103	66	21	32	38	49	602	921	1082	1409
2500	116	116	77	48	23	36	44	56	988	1594	1910	2577
	130	132	90	57	21	32	38	49	906	1417	1678	2218
3000	117	117	78	48	40	65	77	104	1133	1820	2177	2925
	133	134	90	57	37	57	68	90	1033	1605	1895	2493
4000	111	112	75	47	40	65	77	104	1349	2150	2564	3428
	130	132	90	57	37	57	68	90	1221	1876	2206	2881
5000	154	156	105	66	46	74	88	118	1349	2150	2564	3428
	183	186	127	81	42	65	77	101	1221	1876	2206	2881

MIDDLE COPPER FINNED AND TINNED HEAT EXCHANGERS



Model [litres]	Ignition time (minutes) from 10 °C to t2 and primary at T1				Maximum power exchange (kW) with primary at T1, secondary within 10-45 °C and constant use of DHW production				DHW continuous production lt/h within 10-45 °C and primary at T1			
	T1/t2				T1				T1			
	55/50	65/60	70/60	80/60	55	65	70	80	55	65	70	80
1500	168	170	115	72	23	36	44	56	562	900	1076	1443
	204	208	142	91	21	32	38	49	510	789	931	1222
2000	149	152	104	66	40	65	77	104	668	1062	1265	1688
	192	198	137	89	37	57	68	90	602	921	1082	1409
2500	126	126	85	53	40	65	77	104	988	1594	1910	2577
	146	148	102	65	37	57	68	90	906	1417	1678	2218
3000	160	161	109	69	46	74	88	118	1133	1820	2177	2925
	190	193	132	85	42	65	77	101	1033	1605	1895	2493
4000	207	208	141	88	46	74	88	118	1349	2150	2564	3428
	245	249	170	109	42	65	77	101	1221	1876	2206	2881
5000	234	236	160	101	55	87	104	139	1349	2150	2564	3428
	282	288	198	127	50	76	89	117	1221	1876	2206	2881

LOWER COPPER FINNED AND TINNED HEAT EXCHANGERS



Model	Ignition time (minutes) from 10 °C to t2 and primary at T1				Maximum power exchange (kW) with primary at T1, secondary within 10-45 °C and constant use of DHW production				DHW continuous production lt/h within 10-45 °C and primary at T1			
	T1/t2				T1				T1			
	55/50	65/60	70/60	80/60	55	65	70	80	55	65	70	80
1500	139	140	95	59	40	65	77	104	988	1594	1910	2577
	162	164	113	72	37	57	68	90	906	1417	1678	2218
2000	168	169	115	72	46	74	88	118	1133	1820	2177	2925
	199	202	139	89	42	65	77	101	1033	1605	1895	2493
2500	163	164	112	71	55	87	104	139	1349	2150	2564	3428
	197	200	139	102	50	76	89	117	1221	1876	2206	2881
3000	214	216	147	93	55	87	104	139	1349	2150	2564	3428
	258	263	181	117	50	76	89	117	1221	1876	2206	2881
4000	274	276	187	118	55	87	104	139	1349	2150	2564	3428
	330	337	232	149	50	76	89	117	1221	1876	2206	2881
5000	361	364	247	156	55	87	104	139	1349	2150	2564	3428
	436	445	305	196	50	76	89	117	1221	1876	2206	2881

DHW produced in the first 10 minutes in lt/10' input 10 °C output 45 °C, storage at t2 and primary at T1				DHW produced in the first hour in lt/60' input 10 °C output 45 °C, storage at t2 and primary at T1				Flow rate	Exchanger pressure loss	
T1/t2				T1/t2					[m³/h]	[mm.H ₂ O]
55/50	65/60	70/60	80/60	55/50	65/60	70/60	80/60			
519	681	711	772	875	1251	1392	1686	1,4	1861	182,5
510	663	687	735	833	1163	1276	1509	0,7	465	45,6
787	1021	1055	1126	1210	1694	1856	2195	1,4	3097	303,7
776	998	1025	1079	1157	1581	1710	1971	0,7	774	75,9
893	1176	1228	1340	1518	2185	2438	2972	1,4	3097	303,7
879	1146	1190	1280	1453	2044	2252	2684	0,7	774	75,9
1061	1393	1453	1578	1778	2546	2832	3430	3	2878	282,2
1044	1358	1406	1506	1698	2374	2606	3084	1,5	720	70,6
1370	1790	1859	2003	2224	3151	3483	4174	3	2878	282,2
1349	1744	1799	1912	2122	2932	3196	3736	1,5	720	70,6
2033	2618	2687	2831	2887	3980	4311	5002	3	2878	282,2
2012	2573	2628	2740	2785	3761	4025	4565	1,5	720	70,6

DHW produced in the first 10 minutes in lt/10' input 10 °C output 45 °C, storage at t2 and primary at T1				DHW produced in the first hour in lt/60' input 10 °C output 45 °C, storage at t2 and primary at T1				Flow rate	Exchanger pressure loss	
T1/t2				T1/t2					[m³/h]	[mm.H ₂ O]
55/50	65/60	70/60	80/60	55/50	65/60	70/60	80/60			
1033	1324	1354	1415	1389	1894	2035	2329	1,4	3097	303,7
1024	1306	1329	1378	1347	1805	1919	2152	0,7	774	75,9
1422	1816	1849	1920	1845	2488	2651	2989	3	2878	282,2
1411	1792	1819	1873	1792	2375	2504	2766	1,5	720	70,6
1472	1900	1953	2064	2098	2909	3162	3696	3	2878	282,2
1458	1870	1914	2004	2032	2768	2977	3409	1,5	720	70,6
2081	2669	2729	2853	2799	3822	4107	4706	3	2878	282,2
2065	2633	2682	2781	2719	3650	3882	4360	1,5	720	70,6
2657	3398	3467	3611	3511	4760	5091	5782	3	2878	282,2
2636	3353	3408	3520	3409	4541	4805	5345	1,5	720	70,6
3441	4378	4447	4591	4295	5740	6071	6762	3	5530	542,3
3420	4333	4388	4500	4193	5521	5785	6325	1,5	1382	135,5

DHW produced in the first 10 minutes in lt/10' input 10 °C output 45 °C, storage at t2 and primary at T1				DHW produced in the first hour in lt/60' input 10 °C output 45 °C, storage at t2 and primary at T1				Flow rate	Exchanger pressure loss	
T1/t2				T1/t2					[m³/h]	[mm.H ₂ O]
55/50	65/60	70/60	80/60	55/50	65/60	70/60	80/60			
1622	2087	2140	2251	2248	3097	3349	3883	3	2878	282,2
1608	2058	2101	2191	2182	2955	3164	3596	1,5	720	70,6
2185	2799	2859	2983	2903	3952	4237	4836	3	2878	282,2
2169	2763	2812	2911	2823	3780	4012	4490	1,5	720	70,6
2496	3197	3266	3410	3350	4559	4890	5581	3	4588	449,9
2474	3151	3206	3319	3248	4339	4603	5143	1,5	1147	112,5
3189	4064	4133	4277	4044	5426	5757	6448	3	5530	542,3
3168	4018	4073	4186	3941	5207	5471	6011	1,5	1382	135,5
4002	5080	5149	5293	4856	6441	6773	7464	3	5530	542,3
3981	5034	5089	5202	4754	6222	6486	7026	1,5	1382	135,5
5193	6568	6637	6781	6047	7930	8261	8952	3	5530	542,3
5172	6523	6578	6690	5945	7711	7975	8515	1,5	1382	135,5

EXTRA-BOLLY® CALORIFIERS
 BOLLYTERM® CALORIFIERS
 STAINLESS STEEL CALORIFIERS
 CALORIFIERS FOR HEAT PUMP
 MULTIFUEL ENERGY CYLINDERS - PUFFER
 HYDRONIC
 INERTIAL TANKS
 WATER PRESSURE TANKS
 COMPRESSED AIR RECEIVERS
 ACCESSORIES AND SPARE PARTS
 TECHNICAL SUPPORT

EXTRA PLUS - PRESSURE LOSS - COPPER FINNED AND TINNED HEAT EXCHANGERS



Heat exchanger surface [m ²]	
200	0,76
300	0,94
500	1,58
800	2,63
1000	3,17
1500	4,54
2000	5,26
2500	6,34
3000	6,34
4000	6,34
5000	6,34

Chart for surfaces of: 0,76 m² / 0,94 m² / 1,58 m²

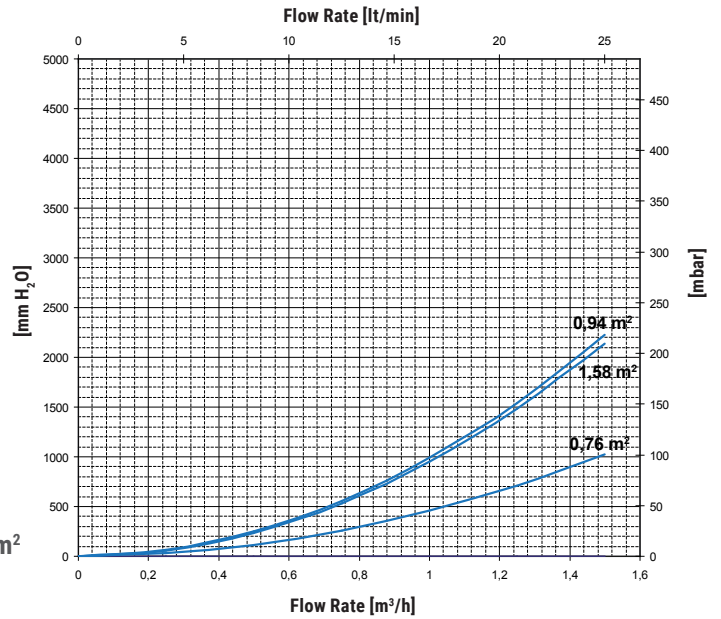


Chart for surfaces of: 2,27 m² / 2,63 m² / 3,17 m²

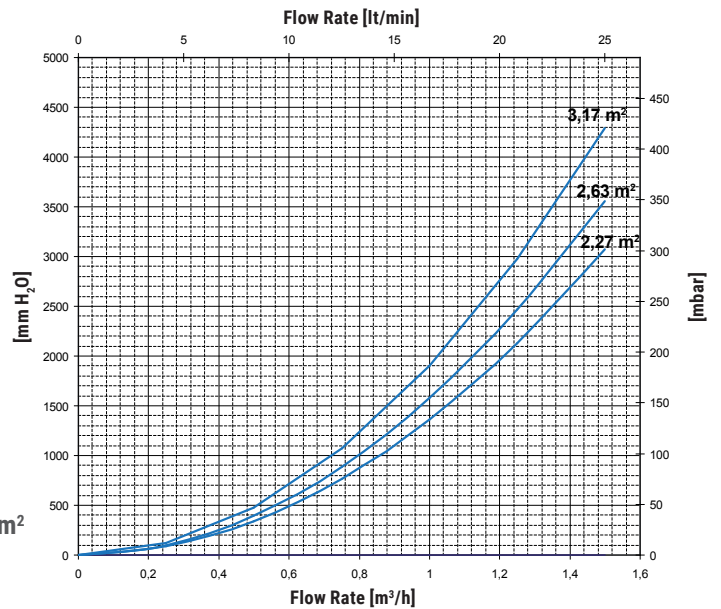
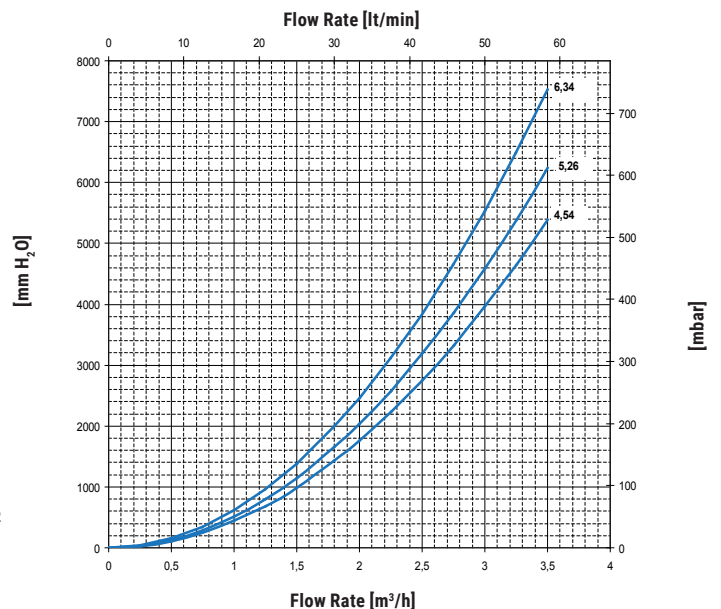
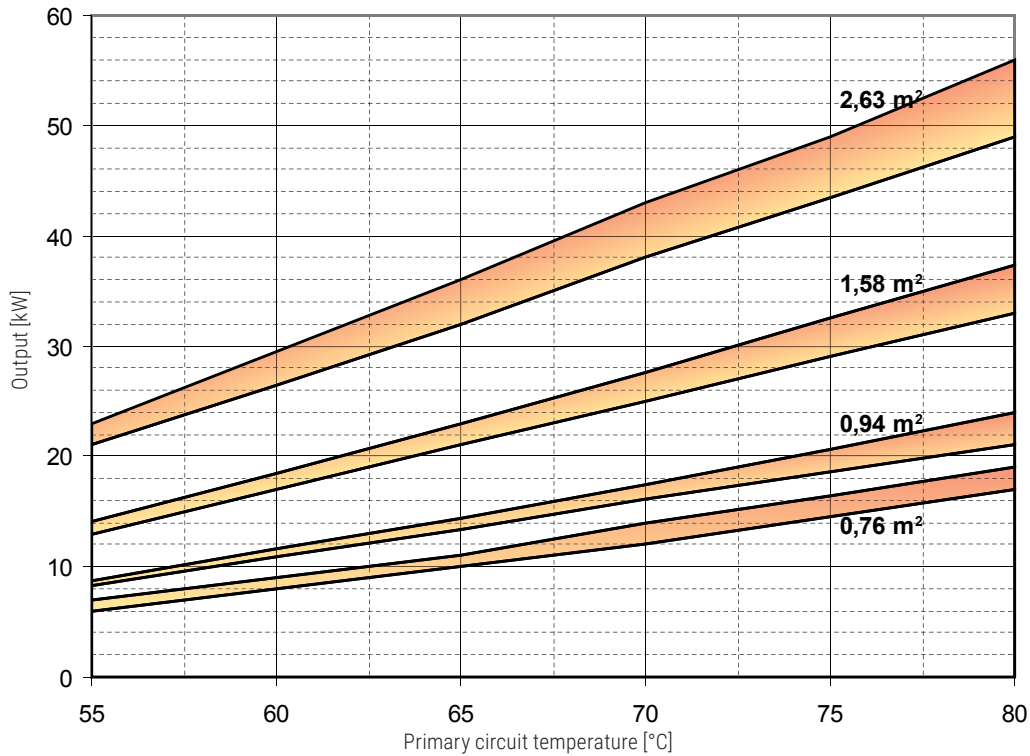


Chart for surfaces of: 4,54 m² / 5,26 m² / 6,34 m²

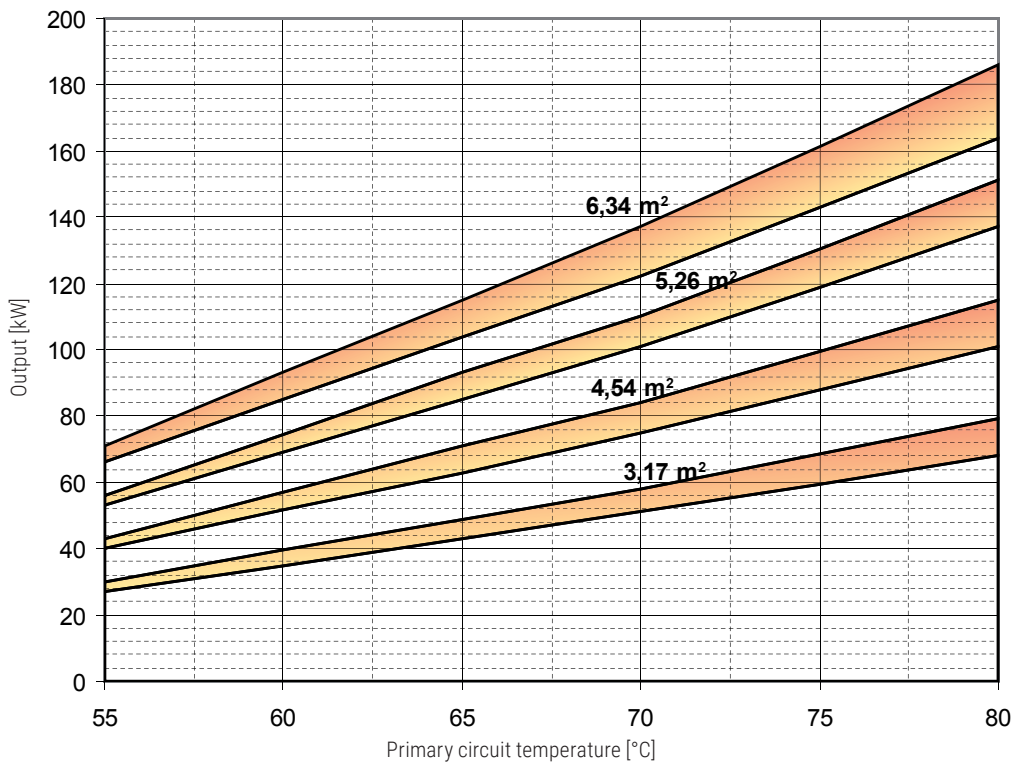


EXTRA PLUS - HEAT EXCHANGERS OUTPUT CHART

HEAT EXCHANGER OUTPUT REFERRED TO TEMPERATURE AND FLOW RATE OF PRIMARY CIRCUIT AND WITH SECONDARY AT 10/45°C AT MAXIMUM WITHDRAWAL OF PRODUCIBLE DHW (UPPER LIMIT OF THE CURVES REFERRED TO MAXIMUM PRIMARY FLOW RATE IN THE HEAT EXCHANGER, WHILE THE LOWER LIMIT IN THE CURVE REFERS TO THE MINIMUM PRIMARY FLOW RATE)



Extractable heat exchanger surface	0,76 m ²		0,94 m ²		1,58 m ²		2,63 m ²	
	MAX	MIN	MAX	MIN	MAX	MIN	MAX	MIN
Flow rate [m ³ /h]	1,4	0,7	1,4	0,7	1,4	0,7	1,4	0,7



Extractable heat exchanger surface	3,17 m ²		4,54 m ²		5,26 m ²		6,34 m ²	
	MAX	MIN	MAX	MIN	MAX	MIN	MAX	MIN
Flow rate [m ³ /h]	1,4	0,7	3	1,5	3	1,5	3	1,5

EXTRA-BOLLY®
CALORIFIERS

BOLLYTERM®
CALORIFIERS

STAINLESS STEEL
CALORIFIERS

CALORIFIERS FOR
HEAT PUMP

MULTIFUEL ENERGY
CYLINDERS - PUFFER

HYDRONIC

INERTIAL
TANKS

WATER PRESSURE
TANKS

COMPRESSED AIR
RECEIVERS

ACCESSORIES
AND SPARE PARTS

TECHNICAL
SUPPORT

EXTRA - MODELS AVAILABLE ON REQUEST

For your comfortable choice, Cordivari offers the possibility to realize special customized products. Below you find a list of common requested customized Extra calorifiers and relevant pricelist.

EXTRA 1 PLUS WRB - WITH INCREASED HEAT EXCHANGER SURFACE

Model	Calorifier diameter	Flange diameter	Heat exchanger surface	Heat exchanger surface
	[mm]	[mm]	[m ²]	[m ²]
200	550	220-300	0,94	1,58
300	650	220-300	1,58	2,27
500	750	220-300	2,27	2,63

EXTRA 1 PLUS WRC - WITH INCREASED HEAT EXCHANGER SURFACE

Model	Calorifier diameter	Flange diameter	Heat exchanger surface	Heat exchanger surface
	[mm]	[mm]	[m ²]	[m ²]
800	750	220-300	3,17	/
1000	850	220-300	4,54	5,26
1500	950(D)	220-300	5,26	6,34
2000	1100 (D)	220-300	6,34	/



EXTRA 2 WXB - WITH UPPER BLIND FLANGE

Model	Calorifier diameter	Flange diameter	Heat exchanger surface 1	Heat exchanger surface 2
	[mm]	[mm]	[m ²]	[m ²]
200	550	220-300	0,5	Blind flange
300	650	220-300	0,75	Blind flange
500	750	220-300	1.5	Blind flange

EXTRA 2 WXC - WITH UPPER BLIND FLANGE

Model	Calorifier diameter	Flange diameter	Heat exchanger surface 1	Heat exchanger surface 2
	[mm]	[mm]	[m ²]	[m ²]
800	750	300-380	2	Blind flange
1000	850	300-380	3	Blind flange
1500	950	300-380	3	Blind flange
2000	1100	380-430	4	Blind flange
2500	1250	380-430	5	Blind flange
3000	1250	380-430	6	Blind flange
4000	1400	380-430	8	Blind flange
5000	1600	380-430	10	Blind flange

BLIND FLANGE



EXTRA - MODELS AVAILABLE ON REQUEST

EXTRA 3 WXC

(POLYWARM® CALORIFIER / STAINLESS STEEL HEAT EXCHANGER) - WITH UPPER BLIND FLANGE

Model	Calorifier diameter	Flange diameter	Heat exchanger surface 1	Heat exchanger surface 2	Heat exchanger surface 3
	[mm]	[mm]	[m ²]	[m ²]	[m ²]
1500	950(D)	300-380	3	3	Blind flange
2000	1100 (D)	350-430	4	4	Blind flange
3000	1250 (D)	350-430	6	6	Blind flange
5000	1600 (D)	350-430	10	10	Blind flange



EXTRA 3 WXC

(POLYWARM® CALORIFIER / STAINLESS STEEL HEAT EXCHANGER) - WITH UPPER AND MIDDLE BLIND FLANGE

Model	Calorifier diameter	Flange diameter	Heat exchanger surface 1	Heat exchanger surface 2	Heat exchanger surface 3
	[mm]	[mm]	[m ²]	[m ²]	[m ²]
1500	950	300-380	3	Blind flange	Blind flange
2000	1100	350-430	4	Blind flange	Blind flange
3000	1250	350-430	6	Blind flange	Blind flange
5000	1600	350-430	10	Blind flange	Blind flange



EXTRA 3 WXC

(POLYWARM® CALORIFIER / STAINLESS STEEL HEAT EXCHANGER) - WITH MIDDLE BLIND FLANGE

Model	Calorifier diameter	Flange diameter	Heat exchanger surface 1	Heat exchanger surface 2	Heat exchanger surface 3
	[mm]	[mm]	[m ²]	[m ²]	[m ²]
1500	950	300-380	3	Blind flange	1,5
2000	1100	350-430	4	Blind flange	2
3000	1250	350-430	6	Blind flange	3
5000	1600	350-430	10	Blind flange	5



EXTRA-BOLLY®
CALORIFIERS

BOLLYTERM®
CALORIFIERS

STAINLESS STEEL
CALORIFIERS

CALORIFIERS FOR
HEAT PUMP

MULTIFUEL ENERGY
CYLINDERS - PUFFER

HYDRONIC

INERTIAL
TANKS

WATER PRESSURE
TANKS

COMPRESSED AIR
RECEIVERS

ACCESSORIES
AND SPARE PARTS

TECHNICAL
SUPPORT

VASO INERZIALE

POLYWARM® COATED DOMESTIC HOT WATER ACCUMULATION TANK



APPLICATION

Domestic hot water storage.

MATERIAL

Mild steel Polywarm® coated (Attestation ACS - SSICA - DVGW - W270 - UBA - WRAS)

INSULATION

- HARD: High thermal insulation with ecological polyurethane hard foam.
- SOFT: NOFIRE® polyester fleece 100% made of recyclable material, with high thermal insulation. Fire resistance class B-s2d0 according to EN 13501.

Grey PVC external lining complete with top and flange cover

CATHODE PROTECTION

Magnesium anode. Models > 1500 n° 2 magnesium anode.

DRAIN

External confluence through drain connection.
Models > 1000 external confluence through drain pipe.

GASKET- FLANGE PLATE

Silicone gaskets suitable for alimentary use for max temperature up to 200°C. Mild steel inspection flange plate with Polywarm®

WARRANTY

5 years - See general sales conditions and warranty

ACCESSORIES AND SPARE PARTS

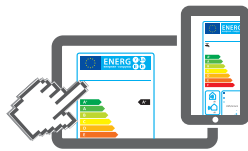
See Accessories section for the entire list.



HARD FOAM INSULATION



SOFT FLEECE INSULATION



www.cordivari.com/erp

On line ErP label tool

VASO INERZIALE WB

ENERGY EFFICIENCY CLASS



Model	HARD FOAM insulation		ErP
	Art. Nr.		
200	3060162310102		C
300	3060162310103		C
500	3060162310104		C
800	3060162310105		C
1000	3060162310106		C
1500	3060162310107		C
2000	3060162310108		C

VASO INERZIALE WC

ENERGY EFFICIENCY CLASS



Model	DISMOUNTABLE SOFT FLEECE insulation		ErP
	Art. Nr.		
500	3060161620134		C
800	3060161620135		C
1000	3060161620136		C
1500	3060161620137		C
2000	3060161620138		C
2500	3060161620113		
3000	3060161620109		
4000	3060161620110		
5000	3060161620112		

ELECTRICAL IMMERSION HEATERS

Mod.	Volume of water heated by the electrical immersion [lt]	MONOPHASE			THREEPHASE					
		1,5 kW	2 kW	3 kW	4 kW	5 kW	6 kW	9 kW	12 kW	
		5240000000051	5240000000052	5240000000053	5240000000047	5240000000048	5240000000049	5240000000050	5240000000031	
		Ignition time from 10 °C to 45 °C with immersion heaters [min]								
200	49	87	65	44	//	//	//	//	//	
300	76	136	102	68	//	//	//	//	//	
500	127	228	171	114	//	//	//	//	//	
800	178	318	239	159	//	//	//	//	//	
1000	243	436	327	218	163	131	109	73	54	
1500	288	516	387	258	194	155	129	86	65	
2000	443	793	595	396	297	238	198	132	99	
2500	577	1033	775	517	387	310	258	172	129	
3000	577	1033	775	517	387	310	258	172	129	
4000	797	1428	1071	714	535	428	357	238	178	
5000	1040	1864	1398	932	699	559	466	311	233	

Accessories on request

"Easy Control" Electronic Display

ART. NR.	FOR MODELS
5005000310002	WC
5005000310003	WB



Thermometer

Art. Nr.
5032240000107
5 units box



Titanium electronic anode

Art. Nr.	Model
5200000000008	200, 300
5200000000009	500, 800
5200000000011	1000, 1500
5200000000013	2000÷5000



VASO INERZIALE

POLYWARM® COATED DOMESTIC HOT WATER ACCUMULATION TANK

STORAGE

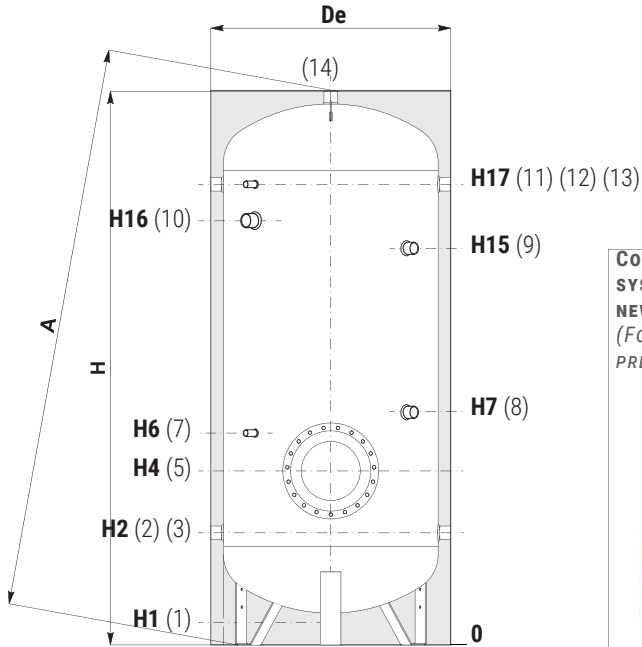
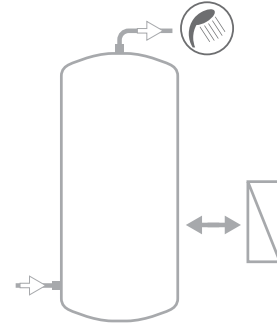
Model	Pmax	Tmax
200 ÷ 1000	8 bar	90 °C
1500 ÷ 5000	6 bar	



CORDIVARI Lab
TÜV Rheinland Energie und Umwelt GmbH states that test procedures and Cordivari LAB are certified conforming to European standard EN 15332, as indicated by Ecodesign ErP Directive.



ASK ALWAYS FOR CERTIFIED LABORATORIES DATA RESULTS

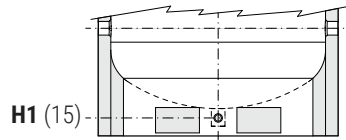
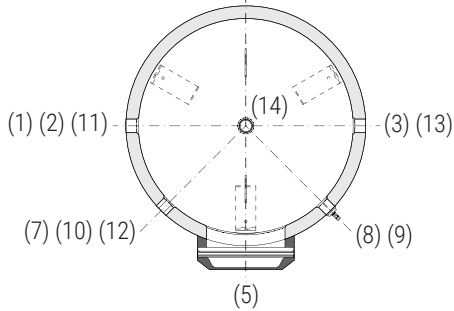


COMPLETE YOUR SYSTEM WITH THE NEW PRS MODULE (FOR IMMEDIATE DHW PREPARATION)



SEE HYDRONIC SECTION

- 1 Drain 1" 1/4 Gas F.
For model 1000 connection 1"1/2 Gas F
- 2 Domestic cold water circuit inlet
- 3 Delivery to external heat exchanger
- 5 Blind flange for inspection øe 300
- 7 Connection for instrumentation 1/2" Gas F
- 8 Connection for magnesium anode 1"1/4 Gas F
- 9 Connection for 2nd anode 1"1/4 Gas F (for models > 1500)
- 10 Connection for electrical immersion 1" 1/2 Gas F
For models > 800 connection 2" Gas F
- 11 Recirculation
- 12 Connection for instrumentation 1/2" Gas F
- 13 Backflow external heat exchanger
- 14 Domestic hot water outlet
- 15 Drain 1" Gas F (only for models > 1000)



Models from 1500 to 5000 have two grips on the bottom which allow the use of forklift when handling and drain pipe already fitted.

HARD FOAM INSULATION (WB)

Model	Volume Weight		De	H	A	H1	H2	H4	H6	H7	H15	H16	H17	Connections Gas F	
	[litres]	[kg]												2-3	14
200	192	41	550	1449	1550	85	325	410	520	650	//	1075	1185	1"1/4	1"1/4
300	293	52	650	1499	1634	85	350	435	545	735	//	1100	1210	1"1/4	1"1/4
500	501	69	750	1800	1950	85	375	460	570	760	//	1329	1485	1"1/4	1"1/4
800	792	111	900	2135	2317	85	405	490	600	870	//	1610	1765	1"1/4	1"1/4
1000	1041	150	1000	2221	2436	105	458	543	653	993	//	1664	1818	1"1/2	1"1/2
1500	1443	186	1100	2415	2654	109	440	525	635	1075	//	1895	2050	1"1/2	2"
2000	1975	223	1300	2492	2811	91	467	542	652	842	1952	1877	2057	2"	2"

SOFT FLEECE INSULATION (WC)

Model	Volume Weight		De	H	A	H1	H2	H4	H6	H7	H15	H16	H17	Connections Gas F	
	[litres]	[kg]												2-3	14
500	500	83	850	1841	1988	101	416	501	611	801	//	1370	1526	1"1/4	1"1/4
800	792	111	970	2188	2210	113	433	518	628	898	//	1638	1793	1"1/4	1"1/4
1000	1041	150	1070	2242	2260	101	454	539	649	989	//	1660	1814	1"1/2	1"1/2
1500	1443	186	1210	2440	2485	109	440	525	635	1075	//	1895	2050	1"1/2	2"
2000	1975	223	1360	2492	2560	91	467	542	652	842	1952	1877	2057	2"	2"
2500	2311	267	1350	2311	2470	140	551	626	736	976	1816	1732	1891	2"	2"
3000	2917	313	1350	2811	2940	140	551	626	736	876	2316	2232	2391	2"	2"
4000	3765	435	1500	2875	3040	114	570	645	755	895	2315	2238	2410	2"	2"
5000	4979	558	1700	2915	3120	94	580	655	765	935	2335	2265	2420	2"	2"

EXTRA-BOLLY® CALORIFIERS
BOLLYTERM® CALORIFIERS
STAINLESS STEEL CALORIFIERS
CALORIFIERS FOR HEAT PUMP
MULTIFUEL ENERGY CYLINDERS - PUFFER
HYDRONIC
INERTIAL TANKS
WATER PRESSURE TANKS
COMPRESSED AIR RECEIVERS
ACCESSORIES AND SPARE PARTS
TECHNICAL SUPPORT

VASO INERZIALE COMPACT

POLYWARM® COATED DOMESTIC HOT WATER ACCUMULATION TANK



APPLICATION

Domestic hot water storage. Suitable for low-ceilinged room.

MATERIAL

Mild steel Polywarm® coated (Attestation ACS - SSICA - DVGW - W270 - UBA - WRAS)

INSULATION (DISMOUNTABLE)

NOFIRE® polyester fleece 100% made of recyclable material, with high thermal insulation. Fire resistance class B-s2d0 according to EN 13501.

Grey PVC external lining complete with top and flange cover

CATHODE PROTECTION

2 magnesium anodes.

DRAIN

External confluence through drain connection.

GASKET- FLANGE PLATE

Silicone gaskets suitable for alimentary use for max temperature up to 200°C. Mild steel inspection flange plate with Polywarm®

WARRANTY

5 years - See general sales conditions and warranty

ACCESSORIES AND SPARE PARTS

See Accessories section for the entire list.



SOFT FLEECE INSULATION

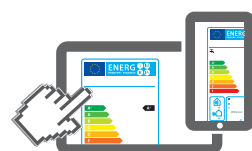
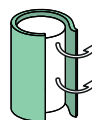


VASO INERZIALE COMPACT WC

ENERGY EFFICIENCY CLASS



Model	DISMOUNTABLE SOFT FLEECE insulation		ErP
	Art. Nr.		
1500	3060161620147		C
2000	3060161620148		C
2500	3060161620149		
3000	3060161620150		
4000	3060161620151		



www.cordivari.com/erp

On line ErP label tool

ELECTRICAL IMMERSION HEATERS

Mod.	Volume of water heated by the electrical immersion [lt]	MONOPHASE			THREEPHASE					
		1,5 kW	2 kW	3 kW	4 kW	5 kW	6 kW	9 kW	12 kW	
		5240000000051	5240000000052	5240000000053	5240000000047	5240000000048	5240000000049	5240000000050	5240000000031	
		Ignition time from 10 °C to 45 °C with immersion heaters [min]								
1500	443	793	595	396	297	238	198	132	99	
2000	577	1033	775	517	387	310	258	172	129	
2500	797	1428	1071	714	535	428	357	238	178	
3000	874	1565	1173	782	587	469	391	261	196	
4000	924	1655	1241	828	621	497	414	276	207	

Accessories on request

"Easy Control" Electronic Display

ART. NR.	FOR MODELS
5005000310002	WC



Thermometer

Art. Nr.
5032240000107
5 units box



Titanium electronic anode

Art. Nr.	Model
5200000000011	1500
5200000000013	2000÷4000

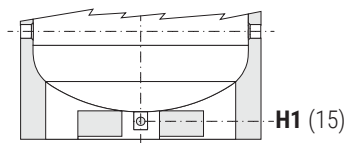
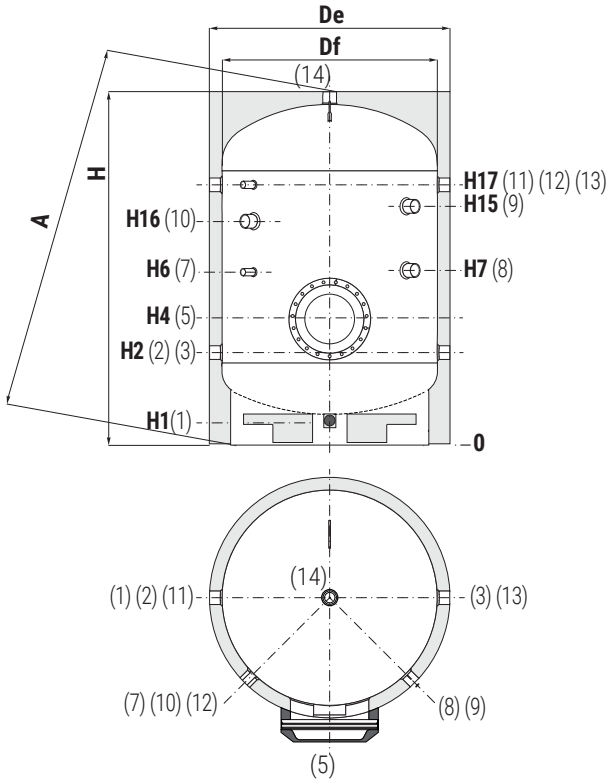
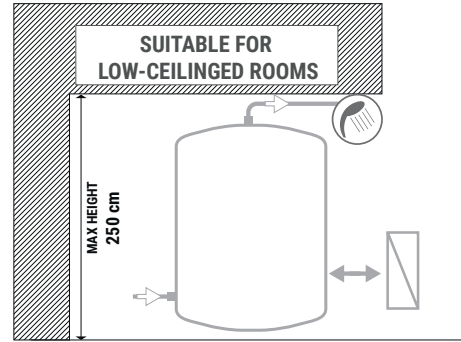


VASO INERZIALE COMPACT

POLYWARM® COATED DOMESTIC HOT WATER ACCUMULATION TANK

STORAGE	
Pmax	Tmax
6 bar	90 °C

CORDIVARI Lab
 TÜV Rheinland Energie und Umwelt GmbH states that test procedures and Cordivari LAB are certified conforming to European standard EN 15332, as indicated by Ecodesign ErP Directive.



- | | |
|----|--|
| 1 | Drain 1" Gas F |
| 2 | Domestic cold water circuit inlet |
| 3 | Alternative domestic cold water circuit inlet or connection for more boilers |
| 5 | Heat exchanger flange |
| 7 | Connection for instrumentation 1/2" Gas F |
| 8 | Connection for magnesium anode 1"1/4 Gas F |
| 9 | Connection for 2 nd anode 1"1/4 Gas F (only for models > 1500) |
| 10 | Connection for electrical immersion |
| 11 | Connection for recirculation or for domestic hot water |
| 13 | Connection for instrumentation 1/2" Gas F |
| 12 | Connection for instrumentation 1/2" Gas F |
| 14 | Domestic hot water outlet 2" Gas F |

The calorifier has two grips on the bottom which allows the use of forklift when handling and already equipped with mounted drainage tube.

Model	Volume	Weight	De	Df	H	A	H1	H2	H4
	[lt]	[kg]							
1500	1506	221	1360	1100	1992	2094	91	467	542
2000	2012	300	1510	1250	2111	2241	140	551	628
2500	2627	393	1500	1400	2125	2353	114	570	645
3000	3029	472	1600	1500	2140	2400	109	575	650
4000	3990	565	1700	1600	2415	2668	94	580	655

Model	H6	H7	H15	H16	H17	5	2-3 11-13	4-6	7-12	8	9
	[mm]						Connections Gas F				
1500	652	942	//	1377	1557	Øe 300	2"	2"	1/2"	1"1/4	//
2000	738	978	1566	1484	1643	Øe 300	2"	2"	1/2"	1"1/4	1"1/4
2500	755	975	1585	1488	1660	Øe 300	2"	2"	1/2"	1"1/4	1"1/4
3000	760	980	1600	1520	1675	Øe 300	2"	2"	1/2"	1"1/4	1"1/4
4000	765	1015	1855	1765	1920	Øe 300	2"	2"	1/2"	1"1/4	1"1/4

P.E.D. product designed and produced in conformity to the article 4.3 of directive 2014/68/UE - ErP Ecodesign directive 2009/125/CE

EXTRA-BOLLY® CALORIFIERS
 BOLLYTERM® CALORIFIERS
 STAINLESS STEEL CALORIFIERS
 CALORIFIERS FOR HEAT PUMP
 MULTIFUEL ENERGY CYLINDERS - PUFFER
 HYDRONIC
 INERTIAL TANKS
 WATER PRESSURE TANKS
 COMPRESSED AIR RECEIVERS
 ACCESSORIES AND SPARE PARTS
 TECHNICAL SUPPORT

PIASTRATERM® SLB

POLYWARM® COATED DOMESTIC HOT WATER ACCUMULATION TANK
WITH STAINLESS STEEL BRAZED PLATE HEAT EXCHANGER



APPLICATION

Production and storage of domestic hot water.

MATERIAL

Mild steel Polywarm® coated (Attestation ACS - SSICA - DVGW - W270 - UBA - WRAS)

HEAT EXCHANGER

Insulated stainless steel 316L brazed plate heat exchanger.

INSULATION

High thermal insulation with ecological hard polyurethane foam.
Grey PVC external lining

CATHODE PROTECTION

Magnesium anode. Models > 1500 n° 2 magnesium anode.

DRAIN

External confluence through drain connection.

Models > 1000 external confluence through drain pipe.

GASKET- FLANGE PLATE

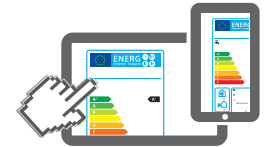
Silicone gaskets suitable for alimentary use for max temperature up to 200°C. Mild steel inspection flange plate with Polywarm®

WARRANTY

5 years - See general sales conditions and warranty

ACCESSORIES AND SPARE PARTS

See Accessories section for the entire list.



www.cordivari.com/erp

On line ErP label tool

PIASTRATERM® SLB WB

ENERGY EFFICIENCY CLASS

Model	Art. Nr.	HARD FOAM insulation					ErP
		Nr. of plates (<i>model SLB30</i>)					
		14	20	30	40	50	
200	Art. Nr.	3170161722101					C
300	Art. Nr.	3170161722111	3170161722112				
500	Art. Nr.	3170161722121	3170161722122	3170161722123	3170161722124	3170161722125	C
800	Art. Nr.		3170161722132	3170161722133	3170161722134	3170161721038	C
1000	Art. Nr.			3170161722143	3170161722144	3170161722145	C
1500	Art. Nr.				3170161722154	3170161722155	C
2000	Art. Nr.					3170161722165	C
80 10/45	Pot. kW	38	72	120	150	200	
	D.H.W. lt./h	887	1680	2801	3501	4668	
65 10/45	Pot. kW	21	42	74	95	129	
	D.H.W. lt./h	483	972	1722	2228	3019	

ELECTRICAL IMMERSION HEATERS

Mod.	Volume of water heated by the electrical immersion [lt]	MONOPHASE			THREEPHASE					
		1,5 kW	2 kW	3 kW	4 kW	5 kW	6 kW	9 kW	12 kW	
		5240000000051	5240000000052	5240000000053	5240000000047	5240000000048	5240000000049	5240000000050	5240000000031	
		Ignition time from 10 °C to 45 °C with immersion heaters [min]								
200	49	87	65	44	//	//	//	//	//	
300	76	136	102	68	//	//	//	//	//	
500	127	228	171	114	//	//	//	//	//	
800	178	318	239	159	//	//	//	//	//	
1000	243	436	327	218	163	131	109	73	54	
1500	288	516	387	258	194	155	129	86	65	
2000	443	793	595	396	297	238	198	132	99	

Accessories on request

"Easy Control" Electronic Display

ART. NR.	FOR MODELS
5005000310003	WB



Thermometer

Art. Nr.
5032240000107
5 units box



Titanium electronic anode

Art. Nr.	Model
5200000000008	200, 300
5200000000009	500, 800
5200000000011	1000, 1500
5200000000013	2000

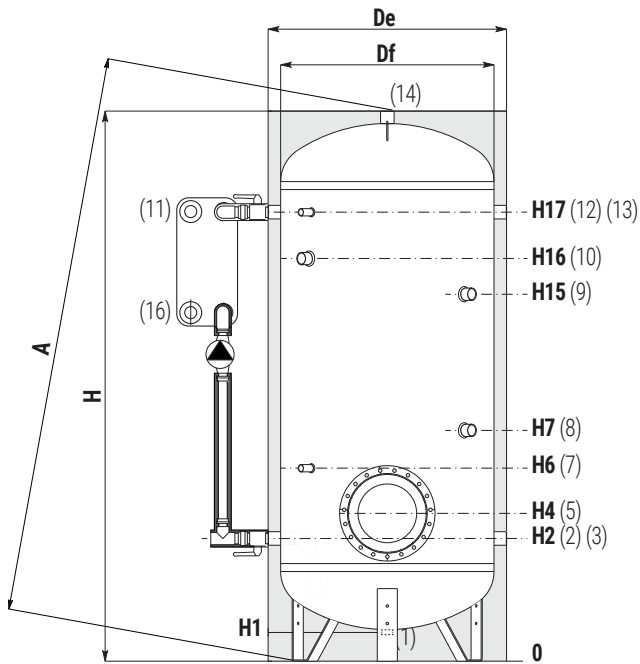
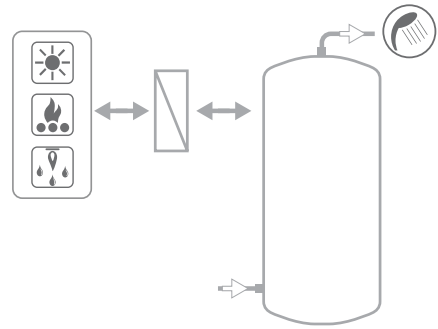


PIASTRATERM® SLB

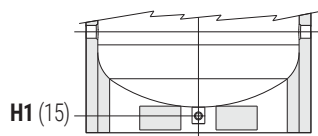
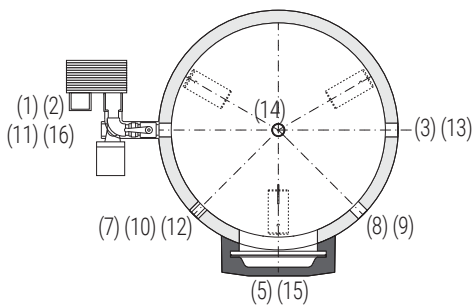
POLYWARM® COATED DOMESTIC HOT WATER ACCUMULATION TANK WITH STAINLESS STEEL BRAZED PLATE HEAT EXCHANGER

Model	STORAGE		HEAT EXCHANGER		D.H.W. HARDNESS
	Pmax	Tmax	Pmax	Tmax	F max
200 ÷ 1000	8 bar	90 °C	10 bar	99 °C	30 °f
1500 ÷ 2000	6 bar				

CORDIVARI Lab
TÜV Rheinland Energie und Umwelt GmbH states that test procedures and Cordivari LAB are certified conforming to European standard EN 15332, as indicated by Ecodesign ErP Directive.



- | | |
|----|--|
| 1 | Drain 1" 1/4 Gas F.
For model 1000 connection 1"1/2 Gas F |
| 2 | Domestic cold water circuit inlet |
| 3 | Alternative Sanitary water inlet
or connection for more boilers |
| 5 | Blind flange for inspection Øe 300 |
| 7 | Connection for instrumentation 1/2" Gas F |
| 8 | Connection for magnesium anode 1" 1/4 Gas F |
| 9 | Connection for 2 nd anode 1" 1/4 Gas F
(only for models > 1500) |
| 10 | Connection for electrical immersion 1" 1/2 Gas F
For models > 800 connection 2" Gas F |
| 11 | Entry heating water from the buffer 1" 1/4 Gas F |
| 12 | Connection for instrumentation 1/2" Gas F |
| 13 | Recirculation |
| 14 | Domestic hot water outlet |
| 15 | Drain 1" Gas F (for models > 1000) |
| 16 | Heating water back to the buffer 1" 1/4 Gas F |



Models from 1500 to 5000 have two grips on the bottom which allow the use of forklift when handling and drain pipe already fitted.

Model	Volume [litres]	De	H	A	H1	H2	H4	H6	H7	H15	H16	H17	Connections Gas F	
													2-3 13	14
200	192	550	1449	1550	85	325	410	520	650	//	1075	1185	1"1/4	1"1/4
300	293	650	1499	1634	85	350	435	545	735	//	1100	1210	1"1/4	1"1/4
500	501	750	1800	1950	85	375	460	570	760	//	1329	1485	1"1/4	1"1/4
800	792	900	2135	2317	85	405	490	600	870	//	1610	1765	1"1/4	1"1/4
1000	1041	1000	2221	2436	105	458	543	653	993	//	1664	1818	1"1/2	1"1/2
1500	1443	1100	2415	2654	109	440	525	635	1075	//	1895	2050	1"1/2	2"
2000	1975	1300	2492	2811	91	467	542	652	842	1952	1877	2057	2"	2"

P.E.D. product designed and produced in conformity to the article 4.3 of directive 2014/68/UE - ErP Ecodesign directive 2009/125/CE

EXTRA-BOLLY® CALORIFIERS
BOLLYTERM® CALORIFIERS
STAINLESS STEEL CALORIFIERS
CALORIFIERS FOR HEAT PUMP
MULTIFUEL ENERGY CYLINDERS - PUFFER
HYDRONIC
INERTIAL TANKS
WATER PRESSURE TANKS
COMPRESSED AIR RECEIVERS
ACCESSORIES AND SPARE PARTS
TECHNICAL SUPPORT

GAMMA BOLLY®



Bolly® ST



Bolly® AP



Bolly® Classe A



Bolly® XL

Heat exchanger model	Fixed spiral heat exchanger			
Number of heat exchangers				
Energy source				
Energy efficiency class	B-C	B-C	A	B-C
Insulation	- Polyurethane hard foam - Dismountable polyester fleece	- Polyurethane hard foam	- Polyurethane hard foam	- Polyurethane hard foam
Available range	150 ÷ 1500	150 ÷ 500	200 ÷ 500	200 ÷ 500
Installation	Floor standing	Floor standing	Floor standing	Floor standing
Suggested Application	Traditional and solar installations	Traditional, solar and condensation installations	Traditional, solar, condensation and heat pump installations	Solar, condensation and heat pump installations



EXTRA-BOLLY®
CALORIFIERS

BOLLYTERM®
CALORIFIERS

STAINLESS STEEL
CALORIFIERS

CALORIFIERS FOR
HEAT PUMP

MULTIFUEL ENERGY
CYLINDERS - PUFFER

HYDRONIC

INERTIAL
TANKS

WATER PRESSURE
TANKS

COMPRESSED AIR
RECEIVERS

ACCESSORIES
AND SPARE PARTS

TECHNICAL
SUPPORT



Bolly® PDC



Bolly® Murale



Interka



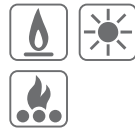
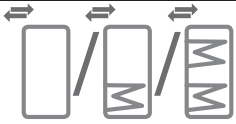
Interka Solare EVO

-Fixed spiral heat exchanger
- Heat exchanger module patented for heat pump

Fixed spiral heat exchanger

Double walled heat exchanger

Double walled heat exchanger



B-C

C

C

B-C

- Polyurethane hard foam

- Polyurethane hard foam

- Polyurethane hard foam

- Polyurethane hard foam

300 ÷ 800

80 ÷ 300

80 ÷ 300

150 ÷ 300

Floor standing

Wall mounted
(vertical/horizontal)

Wall mounted
(vertical/horizontal)

Solar systems

Heat pump, traditional,
biomass and solar
installations

Traditional, solar and
biomass installations

Biomass and traditional
installations

Natural circulation
solar installation

BOLLY® 1 ST

POLYWARM® COATED DOMESTIC HOT WATER CALORIFIER WITH 1 FIXED HEAT EXCHANGER



APPLICATION

Production and storage of domestic hot water.

MATERIAL

Mild steel Polywarm® coated (Attestation ACS - SSICA - DVGW - W270 - UBA - WRAS)

HEAT EXCHANGER

1 Polywarm® coated fixed heat exchanger.

INSULATION

- HARD: High thermal insulation with ecological polyurethane hard foam.
- SOFT: NOFIRE® polyester fleece 100% made of recyclable material, with high thermal insulation. Fire resistance class B-s2d0 according to EN 13501.

Grey PVC external lining complete with top and flange cover

CATHODE PROTECTION

Magnesium anode.

DRAIN

External confluence through drain connection.

Models > 500 external confluence through drain pipe.

GASKET- FLANGE PLATE

Silicone gaskets suitable for alimentary use for max temperature up to 200°C. Mild steel inspection flange plate with Polywarm®

WARRANTY

5 years - See general sales conditions and warranty

ACCESSORIES AND SPARE PARTS :

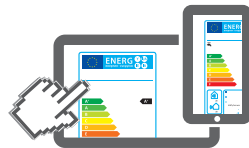
See Accessories section for the entire list.



HARD FOAM INSULATION



SOFT FLEECE INSULATION



www.cordivari.com/erp

On line ErP label tool

BOLLY® 1 ST WB

Model	HARD FOAM insulation Art. Nr.	HEAT EXCHANGER SURFACE [m ²]	ENERGY EFFICIENCY CLASS ErP
150	3105162321101	0,6	B
200	3105162321102	0,8	B
300	3105162321103	1,2	C
400	3105162321104	1,5	C
500	3105162321105	1,8	C
800	3104162331106	2,7	C
1000	3104162331107	3,5	C
1500	3104162331108	3,8	C

BOLLY® 1 ST WC

Model	DISMOUNTABLE SOFT FLEECE insulation Art. Nr.	HEAT EXCHANGER SURFACE [m ²]	ENERGY EFFICIENCY CLASS ErP
800	3103162321136	2,7	C
1000	3103162321137	3,5	C
1500	3103162321138	3,8	C

ELECTRICAL IMMERSION HEATERS

Mod.	Volume of water heated by the electrical immersion [lit]
150	42
200	72
300	113
400	167
500	184
800	313
1000	383
1500	557

MONOPHASE		
1,5 kW	2 kW	3 kW
5240000000051	5240000000052	5240000000053
Ignition time from 10 °C to 45 °C with immersion heaters [min]		
76	57	38
128	96	64
202	152	101
299	225	150
329	247	165
560	420	280
686	514	343
998	749	499

THREEPHASE				
4 kW	5 kW	6 kW	9 kW	12 kW
5240000000047	5240000000048	5240000000049	5240000000050	5240000000031
Ignition time from 10 °C to 45 °C with immersion heaters [min]				
//	//	//	//	//
//	//	//	//	//
//	//	//	//	//
//	//	//	//	//
257	206	171	114	86
374	299	250	166	125

Accessories on request

"Easy Control" Electronic Display

ART. NR.	FOR MODELS
5005000310002	WC
5005000310003	WB



Electrical immersion flange plate

See Accessories section



Titanium electronic anode

See Accessories section

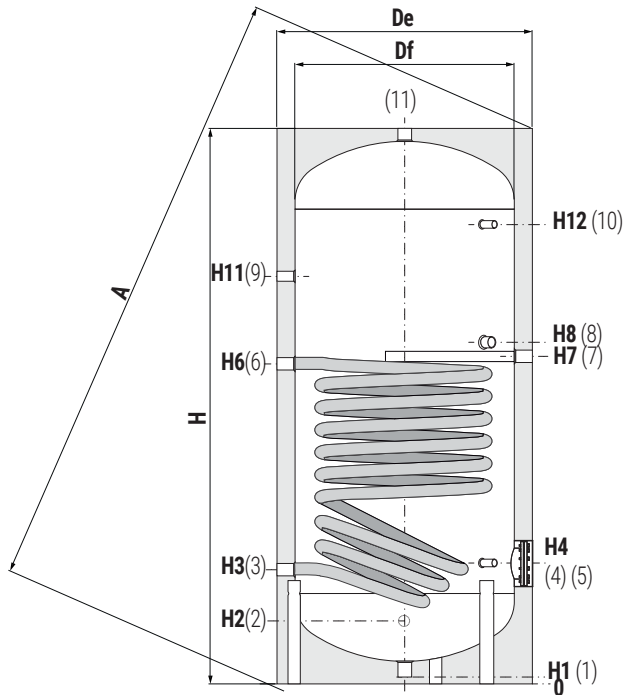
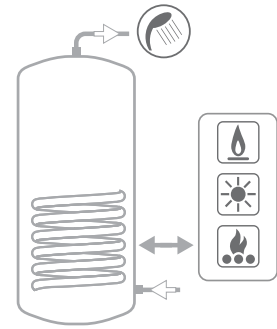


BOLLY® 1 ST

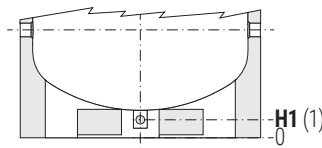
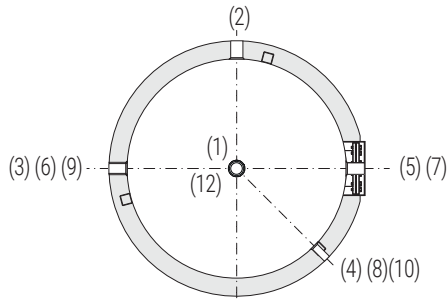
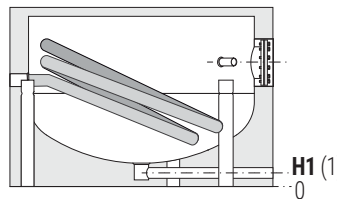
POLYWARM® COATED DOMESTIC HOT WATER CALORIFIER WITH 1 FIXED HEAT EXCHANGER

Model	STORAGE		HEAT EXCHANGER	
	Pmax	Tmax	Pmax	Tmax
150 ÷ 800	10 bar	90 °C	12 bar	110 °C
1000 ÷ 1500	8 bar			

CORDIVARI Lab
TÜV Rheinland Energie und Umwelt GmbH states that test procedures and Cordivari LAB are certified conforming to European standard EN 15332, as indicated by Ecodesign ErP Directive.



- 1 Drain 1"1/4 Gas F (3/4"su 800 e 1000). (1" su 1500)
- 2 Domestic cold water circuit inlet
- 3 Primary circuit outlet
- 4 Connection for instrumentation 1/2" Gas F
- 5 Blind flange for inspection
- 6 Primary circuit inlet
- 7 Connection for magnesium anode 1"1/4 Gas F
- 8 Connection for electrical immersion
- 9 Recirculation
- 10 Connection for instrumentation 1/2" Gas F
- 11 Domestic hot water outlet



Models 1500 have two grips on the bottom which allow the use of forklift when handling and drain pipe already fitted.

Model	Volume [litres]	Weight [Kg]	Df	De	De	H	A	H1	H2	H3	H4
			(vers. WC)	(vers. WC)	(vers. WB)						
150	148	49	//	//	500	1414	1500	70	210	275	315
200	189	55	//	//	550	1434	1536	70	220	285	325
300	291	67	//	//	650	1486	1622	70	246	311	381
400	422	88	//	//	700	1766	1900	70	261	326	396
500	498	120	//	//	750	1786	1937	70	271	346	411
800	789	184	750	950	900	2163	2343	101	493	328	483
1000	1038	215	850	1050	1000	2217	2432	89	524	439	499
1500	1443	389	950	1150	1100	2440	2654	109	450	425	575

Model	H6	H7	H8	H11	H12	5	2	3	6	8	9	11
	[mm]						Connections Gas F					
150	888	956	1011	1065	1185	Ø 120	3/4"	1"1/4	1"1/4	1"1/2	3/4"	1"1/4
200	811	855	915	1089	1195	Ø 120	3/4"	1"1/4	1"1/4	1"1/2	3/4"	1"1/4
300	832	871	931	1101	1221	Ø 120	1"	1"1/4	1"1/4	1"1/2	1"	1"1/4
400	988	1033	1091	1286	1486	Ø 120	1"	1"1/4	1"1/4	1"1/2	1"	1"1/4
500	1036	1076	1144	1331	1476	Ø 120	1"	1"1/4	1"1/4	1"1/2	1"	1"1/4
800	1181	1243	1308	1598	1788	Ø 160	1"	1"1/4	1"1/4	2"	1"	1"1/4
1000	1279	1309	1364	1584	1819	Ø 160	1"1/4	1"1/4	1"1/4	2"	1"	1"1/2
1500	1403	1450	1515	1825	2065	Ø 300	1"1/2	1"1/4	1"1/4	2"	1"	2"

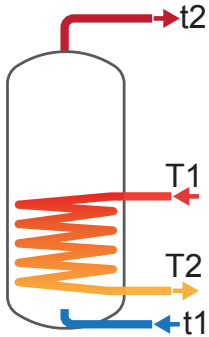
P.E.D. product designed and produced in conformity to the article 4.3 of directive 2014/68/UE - ErP Ecodesign directive 2009/125/CE

EXTRA-BOLLY® CALORIFIERS
BOLLYTERM® CALORIFIERS
STAINLESS STEEL CALORIFIERS
CALORIFIERS FOR HEAT PUMP
MULTIFUEL ENERGY CYLINDERS - PUFFER
HYDRONIC
INERTIAL TANKS
WATER PRESSURE TANKS
COMPRESSED AIR RECEIVERS
ACCESSORIES AND SPARE PARTS
TECHNICAL SUPPORT

BOLLY® 1 ST- HEAT EXCHANGERS TECHNICAL DATA

Data have been calculated on following basis:

- 1) Primary circuit at T1 and proper energy source;
- 2) Production of DHW in continue way from 10 °C at t2;
- 3) DHW that can be taken in the first 10' and in the first hour from storage at 60°C, input 10°C and output 45°C;
- 4) Sanitary water according to UNI CTI 8065.



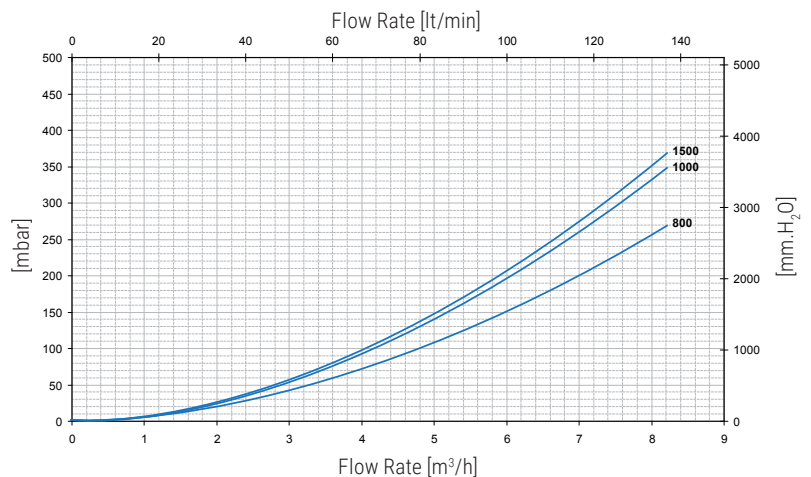
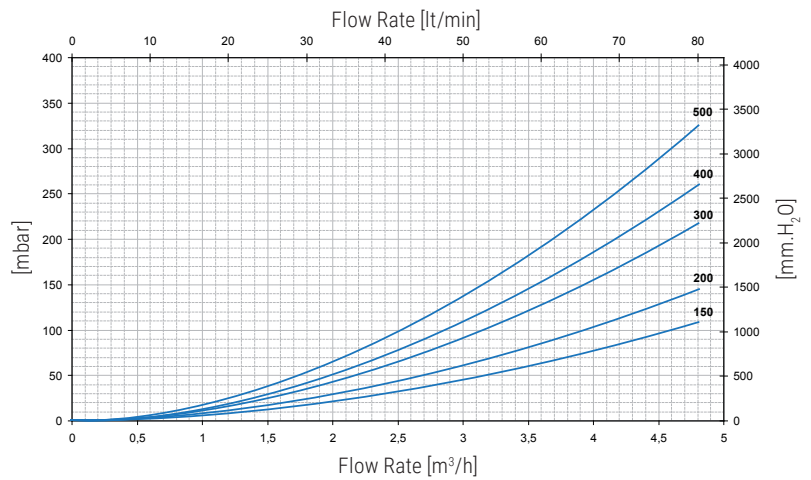
FIXED HEAT EXCHANGER

Model	Ignition time (minutes) from 10 °C to t2 and primary at T1				Maximum power exchange (kW) with primary at T1, secondary within 10-45 °C and constant use of DHW production				DHW continuous production lt/h within 10-45 °C and primary at T1			
	T1/t2				T1				T1			
	55/50	65/60	70/60	80/60	55	65	70	80	55	65	70	80
150	99	102	71	46	6,6	10	11,7	15,2	162	246	288	371
	111	116	81	53	6,1	9,1	10,6	13,2	149	223	260	336
200	92	95	66	43	9	13,5	15,8	20,5	220	332	389	506
	103	107	75	49	8,3	12,3	14,4	18,5	203	303	354	456
300	97	101	70	45	13,5	20,2	23,6	30,6	331	498	583	756
	106	111	78	51	12,5	18,5	21,5	27,5	307	455	529	680
400	105	110	76	50	16,9	25,4	29,6	38,3	416	625	731	947
	117	122	86	57	15,4	23,2	26,9	34,5	387	571	664	853
500	111	116	81	53	20,2	30,1	35,1	45,3	496	742	867	1121
	126	131	93	61	18,7	27,3	31,7	40,6	459	674	782	1000
800	116	120	84	55	30,3	45,4	53	68,6	746	1120	1309	1695
	131	136	96	64	28,2	41,4	48,1	61,6	692	1021	1186	1521
1000	114	119	84	56	38,9	57,9	67,5	87	958	1429	1667	2151
	132	138	98	65	35,5	52,2	60,4	77	882	1288	1492	1903
1500	162	168	119	78	41	61	71	91,5	1009	1504	1753	2261
	189	197	139	92	37,7	54,9	63,4	80,7	927	1352	1564	1993

PRESSURE LOSS - FIXED HEAT EXCHANGERS BOLLY® 1 ST



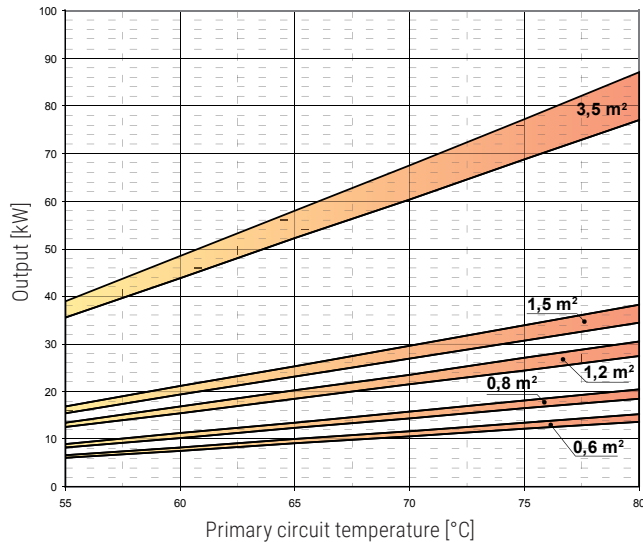
Model	Heat exchanger surface [m ²]
150	0,6
200	0,8
300	1,2
400	1,5
500	1,8
800	2,7
1000	3,5
1500	3,8



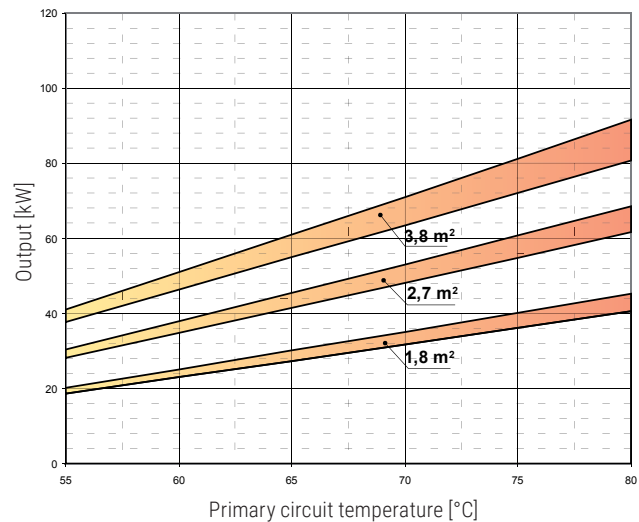
DHW produced in the first 10 minutes in lt/10' input 10 °C output 45 °C, storage at t2 and primary at T1				DHW produced in the first hour in lt/60' input 10 °C output 45 °C, storage at t2 and primary at T1				Flow rate [m³/h]	Exchanger pressure loss	
T1/t2				T1/t2					[mm.H ₂ O]	[mbar]
55/50	65/60	70/60	80/60	55/50	65/60	70/60	80/60			
195	251	258	272	298	407	440	507	2	218,85	21,46
193	247	253	266	287	388	418	479	1	60,62	5,95
253	325	335	354	392	536	581	675	2,5	441,12	43,26
250	321	329	346	378	512	553	635	1,25	122,19	11,98
388	499	513	542	597	814	882	1021	3	927,45	90,95
384	492	504	529	578	780	839	960	1,5	256,91	25,19
550	706	723	759	814	1101	1186	1359	3,5	1480,67	145,20
546	697	712	744	791	1058	1133	1284	1,75	410,16	40,22
651	834	855	897	965	1304	1404	1607	3,5	1850,84	181,50
645	822	840	877	935	1249	1336	1510	1,75	512,70	50,28
1026	1314	1345	1410	1499	2023	2174	2483	6	1538,50	150,87
1017	1297	1325	1381	1455	1944	2076	2344	3	426,18	41,79
1345	1720	1759	1840	1952	2625	2815	3202	6	1994,35	195,58
1332	1696	1730	1799	1891	2512	2675	3004	3	552,45	54,18
1870	2378	2419	2504	2509	3330	3530	3936	6	2108,31	206,75
1856	2352	2388	2459	2443	3209	3378	3722	3	584,02	57,27

HEAT EXCHANGERS OUTPUT CHART BOLLY® ST

HEAT EXCHANGER OUTPUT REFERRED TO TEMPERATURE AND FLOW RATE OF PRIMARY CIRCUIT AND WITH SECONDARY AT 10/45°C AT MAXIMUM WITHDRAWAL OF PRODUCIBLE DHW (UPPER LIMIT OF THE CURVES REFERRED TO MAXIMUM PRIMARY FLOW RATE IN THE HEAT EXCHANGER, WHILE THE LOWER LIMIT IN THE CURVE REFERS TO THE MINIMUM PRIMARY FLOW RATE)



Heat exchanger surface	0,6 m²		0,8 m²		1,2 m²		1,5 m²		3,5 m²	
	MAX	MIN	MAX	MIN	MAX	MIN	MAX	MIN	MAX	MIN
Flow rate [m³/h]	2	1	2,5	1,25	3	1,5	3,5	1,75	6	3



Heat exchanger surface	1,8 m²		2,7 m²		3,8 m²	
	MAX	MIN	MAX	MIN	MAX	MIN
Flow rate [m³/h]	3,50	1,75	6	3	6	3

BOLLY® 2 ST

POLYWARM® COATED DOMESTIC HOT WATER CALORIFIER WITH 2 FIXED HEAT EXCHANGERS



APPLICATION

Production and storage of domestic hot water.

MATERIAL

Mild steel Polywarm® coated (Attestation ACS - SSICA - DVGW - W270 - UBA - WRAS)

HEAT EXCHANGER

2 Polywarm® coated fixed heat exchangers.

INSULATION

- HARD: High thermal insulation with ecological polyurethane hard foam.
- SOFT: NOFIRE® polyester fleece 100% made of recyclable material, with high thermal insulation. Fire resistance class B-s2d0 according to EN 13501.

Grey PVC external lining complete with top and flange cover

CATHODE PROTECTION

Magnesium anode.

DRAIN

External confluence through drain connection.

Models > 500 external confluence through drain pipe.

GASKET- FLANGE PLATE

Silicone gaskets suitable for alimentary use for max temperature up to 200°C. Mild steel inspection flange plate with Polywarm®

WARRANTY

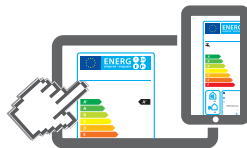
5 years - See general sales conditions and warranty

ACCESSORIES AND SPARE PARTS :

See Accessories section for the entire list.



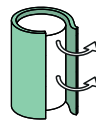
HARD FOAM INSULATION



www.cordivari.com/erp

On line ErP label tool

SOFT FLEECE INSULATION



BOLLY® 2 ST WB

HEAT EXCHANGER SURFACE

ENERGY EFFICIENCY CLASS

Model	HARD FOAM insulation Art. Nr.	HEAT EXCHANGER SURFACE		ENERGY EFFICIENCY CLASS
		Upper	Lower	
		[m ²]		
150	3135162321201	0,4	0,6	B
200	3135162321202	0,5	0,8	B
300	3135162321203	0,7	1,2	C
400	3135162321204	1	1,5	C
500	3135162321205	1	1,8	C
800	3134162331206	1,6	2,7	C
1000	3134162331207	1,8	3,5	C
1500	3134162331208	1,9	3,8	C

BOLLY® 2 ST WC

HEAT EXCHANGER SURFACE

ENERGY EFFICIENCY CLASS

Model	DISMOUNTABLE SOFT FLEECE insulation Art. Nr.	HEAT EXCHANGER SURFACE		ENERGY EFFICIENCY CLASS
		Upper	Lower	
		[m ²]		
800	3138162321226	1,6	2,7	C
1000	3138162321227	1,8	3,5	C
1500	3138162321228	1,9	3,8	C

ELECTRICAL IMMERSION HEATERS

Mod.	Volume of water heated by the electrical immersion [lit]	MONOPHASE		
		1,5 kW	2 kW	3 kW
150	42	5240000000051	5240000000052	5240000000053
200	72			
300	113			
400	167			
500	184			
800	313			
1000	383			
1500	557			

MONOPHASE			
1,5 kW	2 kW	3 kW	
Ignition time from 10 °C to 45 °C with immersion heaters [min]			
76	57	38	
128	96	64	
202	152	101	
299	225	150	
329	247	165	
560	420	280	
686	514	343	
998	749	499	

THREEPHASE				
4 kW	5 kW	6 kW	9 kW	12 kW
Ignition time from 10 °C to 45 °C with immersion heaters [min]				
5240000000047	5240000000048	5240000000049	5240000000050	5240000000031
//	//	//	//	//
//	//	//	//	//
//	//	//	//	//
//	//	//	//	//
257	206	171	114	86
374	299	250	166	125

Accessories on request

"Easy Control" Electronic Display

ART. NR.	FOR MODELS
5005000310002	WC
5005000310003	WB



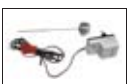
Electrical immersion flange plate

See Accessories section



Titanium electronic anode

See Accessories section

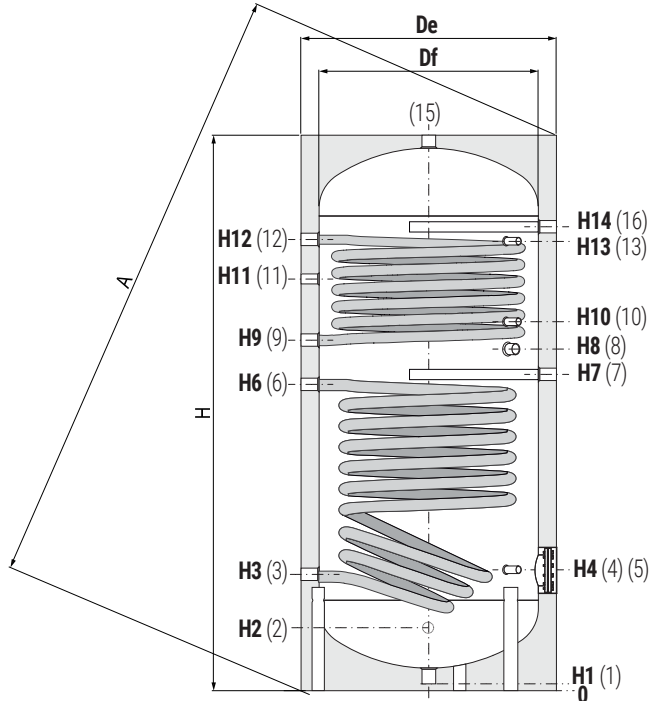
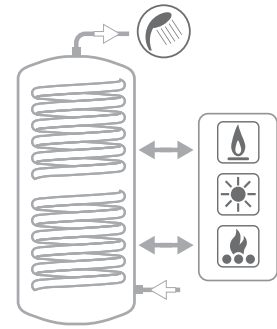


BOLLY® 2 ST

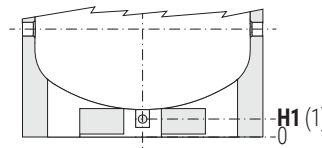
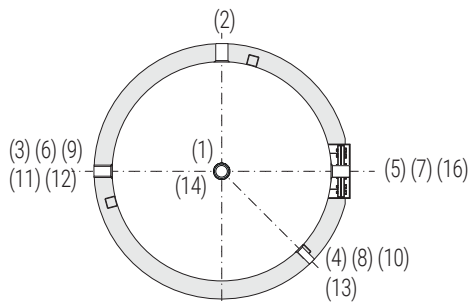
POLYWARM® COATED DOMESTIC HOT WATER CALORIFIER WITH 2 FIXED HEAT EXCHANGERS

Model	STORAGE		HEAT EXCHANGER		
	Pmax	Tmax	Pmax	Tmax	
150 ÷ 800	10 bar	90 °C	12 bar	110 °C	
1000 ÷ 1500	8 bar				

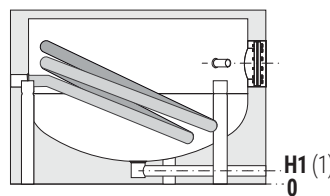
CORDIVARI Lab
TÜV Rheinland Energie und Umwelt GmbH states that test procedures and Cordivari LAB are certified conforming to European standard EN 15332, as indicated by Ecodesign ErP Directive.



- 1 Drain 1"1/4 Gas F (3/4"su 800 e 1000.) (1" su 1500)
- 2 Domestic cold water circuit inlet
- 3 Lower heat exchanger outlet
- 4 Connection for instrumentation 1/2" Gas F
- 5 Blind flange for inspection
- 6 Lower heat exchanger inlet
- 7 Connection for magnesium anode 1"1/4 Gas F
- 8 Connection for electrical immersion
- 9 Upper heat exchanger outlet
- 10 Connection for instrumentation 1/2" Gas F
- 11 Recirculation
- 12 Upper heat exchanger inlet
- 13 Connection for instrumentation 1/2" Gas F
- 15 Domestic hot water outlet
- 16 Connection for 2nd anode 1"1/4 Gas F (only for models > 500)



Models 1500 have two grips on the bottom which allow the use of forklift when handling and drain pipe already fitted.



Model	Volume [litres]	Weight [Kg]	Df	De	De (vers. WB)	H	A	H1	H2	H3	H4	H6	H7
			(vers. WC)	(vers. WC)									
150	148	54	//	//	500	1414	1500	70	210	275	315	759	815
200	189	65	//	//	550	1434	1536	70	220	285	325	811	855
300	291	83	//	//	650	1486	1622	70	246	311	381	832	871
400	422	112	//	//	700	1766	1900	70	261	326	396	988	1033
500	498	134	//	//	750	1786	1937	70	271	346	411	1036	1076
800	789	232	750	950	900	2163	2343	101	493	428	483	1181	1243
1000	1038	272	850	1050	1000	2217	2432	89	524	439	499	1279	1309
1500	1443	351	950	1150	1100	2440	2654	109	450	425	575	1403	1450

Model	H8	H9	H10	H11	H12	H13	H14	5	1	2	3-6 9-12	8	11	15
	[mm]													
150	885	945	1035	1065	1185	1185	//	Ø 120	1"1/4	3/4"	1"1/4	1"	3/4"	1"1/4
200	915	960	1105	1089	1195	1195	//	Ø 120	1"1/4	3/4"	1"1/4	1"	3/4"	1"1/4
300	931	981	1076	1101	1221	1221	//	Ø 120	1"1/4	1"	1"1/4	1"	1"	1"1/4
400	1091	1143	1286	1286	1486	1486	//	Ø 120	1"1/4	1"	1"1/4	1"	1"	1"1/4
500	1144	1186	1296	1331	1476	1476	//	Ø 120	1"1/4	1"	1"1/4	1"	1"	1"1/4
800	1308	1362	1579	1598	1770	1788	1808	Ø 160	3/4"	1"	1"1/4	2"	1"	1"1/4
1000	1364	1399	1609	1584	1819	1819	1839	Ø 160	3/4"	1"1/4	1"1/4	2"	1"	1"1/2
1500	1515	1550	2045	1825	2065	1735	2065	Ø 300	1"	1"1/2	1"1/4	2"	1"	2"

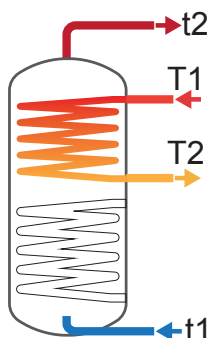
P.E.D. product designed and produced in conformity to the article 4.3 of directive 2014/68/UE - ErP Ecodesign directive 2009/125/CE

EXTRA-BOLLY® CALORIFIERS
BOLLYTERM® CALORIFIERS
STAINLESS STEEL CALORIFIERS
CALORIFIERS FOR HEAT PUMP
MULTIFUEL ENERGY CYLINDERS - PUFFER
HYDRONIC
INERTIAL TANKS
WATER PRESSURE TANKS
COMPRESSED AIR RECEIVERS
ACCESSORIES AND SPARE PARTS
TECHNICAL SUPPORT

BOLLY® 2 ST- HEAT EXCHANGERS TECHNICAL DATA

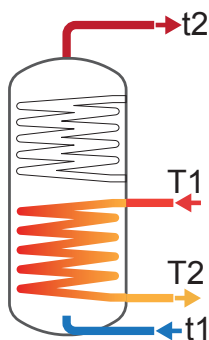
Data have been calculated on following basis:

- 1) Primary circuit at T1 and proper energy source;
- 2) Production of DHW in continue way from 10 °C at t2;
- 3) DHW that can be taken in the first 10' and in the first hour from storage at 60°C, input 10°C and output 45°C;
- 4) Sanitary water according to UNI CTI 8065.



UPPER FIXED HEAT EXCHANGER

Model	Ignition time (minutes) from 10 °C to t2 and primary at T1				Maximum power exchange (kW) with primary at T1, secondary within 10-45 °C and constant use of DHW production				DHW continuous production lt/h within 10-45 °C and primary at T1			
	T1/t2				T1				T1			
	55/50	65/60	70/60	80/60	55	65	70	80	55	65	70	80
150	47	49	34	22	4,5	6,8	7,9	10,3	109	165	194	254
	52	64	38	24	4,1	6,2	7,2	9,4	100	151	177	231
200	46	48	33	21	5,7	8,6	10	13,1	138	210	247	322
	51	53	37	24	5,3	7,9	9,3	12	129	194	227	296
300	51	53	37	24	8	12,1	14,1	18,4	195	296	347	453
	57	59	41	27	7,5	11,2	13,1	16,9	183	274	321	416
400	55	57	40	26	11,4	17,2	20,2	26,2	279	423	496	646
	61	63	44	29	10,7	16	18,6	24	262	392	458	592
500	61	64	44	29	11,4	17,2	20,2	26,2	279	423	496	646
	68	70	49	32	10,7	16	18,6	24	262	392	458	592
800	68	71	49	32	18,3	27,6	32,3	41,9	447	677	794	1034
	75	78	54	36	17,2	25,6	29,8	38,5	419	628	733	949
1000	79	82	57	37	20,5	30,9	36,1	46,9	501	759	889	1157
	87	91	64	42	19,2	28,5	33,3	42,9	469	701	818	1057
1500	87	90	63	41	26	39	45,6	59,1	636	959	1123	1457
	97	102	71	46	24,2	35,8	41,6	53,6	592	879	1024	1318



LOWER FIXED HEAT EXCHANGER

Model	Ignition time (minutes) from 10 °C to t2 and primary at T1				Maximum power exchange (kW) with primary at T1, secondary within 10-45 °C and constant use of DHW production				DHW continuous production lt/h within 10-45 °C and primary at T1			
	T1/t2				T1				T1			
	55/50	65/60	70/60	80/60	55	65	70	80	55	65	70	80
150	99	102	71	46	6,6	10	11,7	15,2	162	246	288	371
	111	116	81	53	6,1	9,1	10,6	13,2	149	223	260	336
200	92	95	66	43	9	13,5	15,8	20,5	220	332	389	506
	103	107	75	49	8,3	12,3	14,4	18,5	203	303	354	456
300	97	101	70	45	13,5	20,2	23,6	30,6	331	498	583	756
	106	111	78	51	12,5	18,5	21,5	27,5	307	455	529	680
400	105	110	76	50	16,9	25,4	29,6	38,3	416	625	731	947
	117	122	86	57	15,4	23,2	26,9	34,5	387	571	664	853
500	111	116	81	53	20,2	30,1	35,1	45,3	496	742	867	1121
	126	131	93	61	18,7	27,3	31,7	40,6	459	674	782	1000
800	116	120	84	55	30,3	45,4	53	68,6	746	1120	1309	1695
	131	136	96	64	28,2	41,4	48,1	61,6	692	1021	1186	1521
1000	114	119	84	56	38,9	57,9	67,5	87	958	1429	1667	2151
	132	138	98	65	35,5	52,2	60,4	77	882	1288	1492	1903
1500	162	168	119	78	41	61	71	91,5	1009	1504	1753	2261
	189	197	139	92	37,7	54,9	63,4	80,7	927	1352	1564	1993

DHW produced in the first 10 minutes in lt/10' input 10 °C output 45 °C, storage at t2 and primary at T1				DHW produced in the first hour in lt/60' input 10 °C output 45 °C, storage at t2 and primary at T1				Flow rate	Exchanger pressure loss	
T1/t2				T1/t2					[m³/h]	[mm.H₂O]
55/50	65/60	70/60	80/60	55/50	65/60	70/60	80/60			
73	96	101	111	142	201	224	272	2	145,90	14,31
72	94	98	107	135	189	210	253	1	40,41	3,96
92	121	127	139	179	254	283	343	2,5	275,70	27,04
90	118	124	135	172	241	267	323	1,25	76,37	7,49
141	185	194	211	265	373	413	498	3	541,01	53,06
139	181	189	205	255	355	393	469	1,5	149,87	14,70
211	276	288	313	388	544	603	723	3,5	1028,24	100,84
208	271	282	304	374	519	572	679	1,75	284,83	27,93
229	299	311	336	406	567	625	745	3,5	1028,24	100,84
227	294	305	327	392	542	595	702	1,75	284,83	27,93
401	521	541	581	684	950	1044	1236	6	911,70	89,41
397	513	531	567	662	911	995	1168	3	252,55	24,77
508	657	678	723	825	1137	1241	1456	6	1025,66	100,58
502	647	666	706	799	1091	1184	1376	3	284,12	27,86
691	891	919	974	1094	1499	1630	1897	6	1310,57	128,52
684	878	902	951	1059	1435	1551	1786	3	363,04	35,60

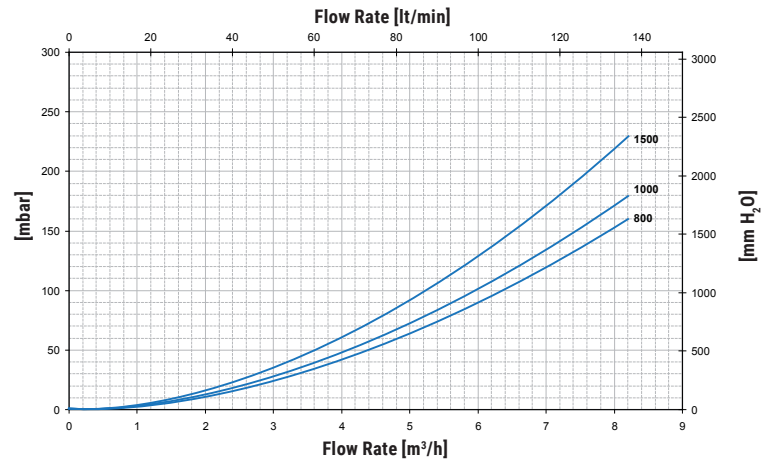
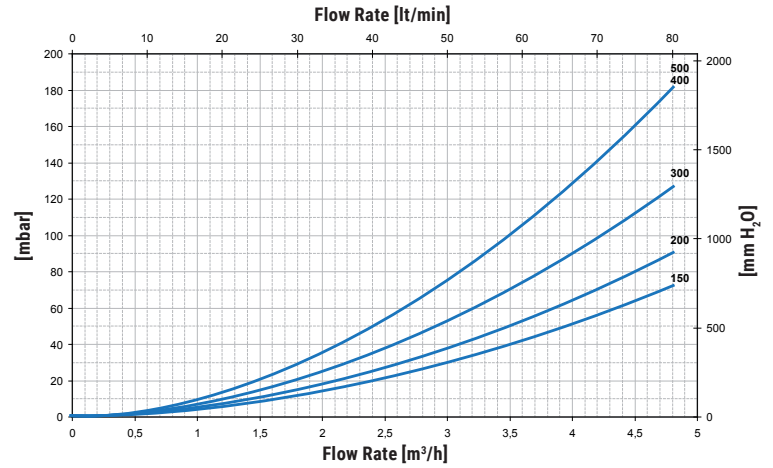
DHW produced in the first 10 minutes in lt/10' input 10 °C output 45 °C, storage at t2 and primary at T1				DHW produced in the first hour in lt/60' input 10 °C output 45 °C, storage at t2 and primary at T1				Flow rate	Exchanger pressure loss	
T1/t2				T1/t2					[m³/h]	[mm.H₂O]
55/50	65/60	70/60	80/60	55/50	65/60	70/60	80/60			
195	251	258	272	298	407	440	507	2	218,85	21,46
193	247	253	266	287	388	418	479	1	60,62	5,95
253	325	335	354	392	536	581	675	2,5	441,12	43,26
250	321	329	346	378	512	553	635	1,25	122,19	11,98
388	499	513	542	597	814	882	1021	3	927,45	90,95
384	492	504	529	578	780	839	960	1,5	256,91	25,19
550	706	723	759	814	1101	1186	1359	3,5	1480,67	145,20
546	697	712	744	791	1058	1133	1284	1,75	410,16	40,22
651	834	855	897	965	1304	1404	1607	3,5	1850,84	181,50
645	822	840	877	935	1249	1336	1510	1,75	512,70	50,28
1026	1314	1345	1410	1499	2023	2174	2483	6	1538,50	150,87
1017	1297	1325	1381	1455	1944	2076	2344	3	426,18	41,79
1345	1720	1759	1840	1952	2625	2815	3202	6	1994,35	195,58
1332	1696	1730	1799	1891	2512	2675	3004	3	552,45	54,18
1870	2378	2419	2504	2509	3330	3530	3936	6	2108,31	206,75
1856	2352	2388	2459	2443	3209	3378	3722	3	584,02	57,27

BOLLY® 2 ST - PRESSURE LOSS

PRESSURE LOSS - UPPER FIXED HEAT EXCHANGER



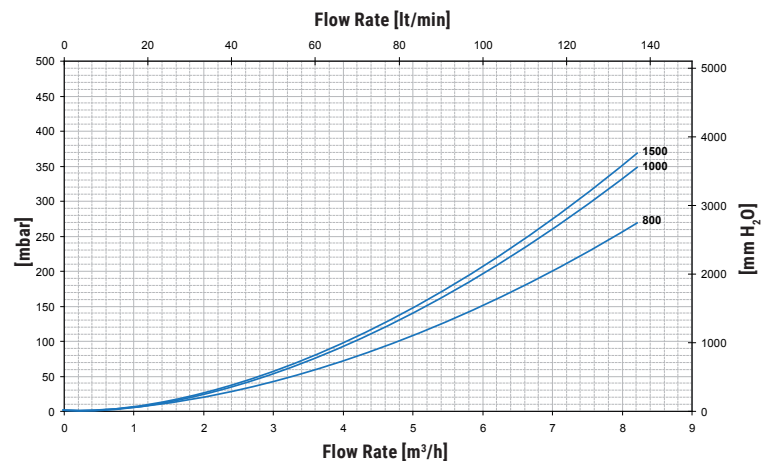
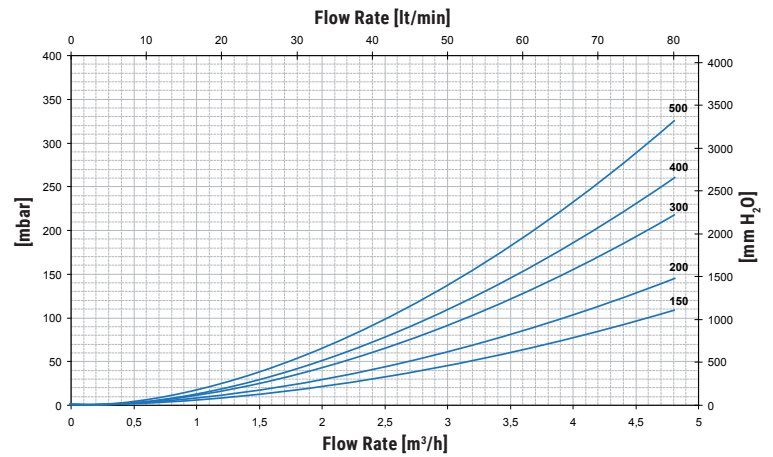
Heat exchanger surface [m ²]	
150	0,4
200	0,5
300	0,7
400	1
500	1
800	1,6
1000	1,8
1500	1,9



PRESSURE LOSS - LOWER FIXED HEAT EXCHANGER

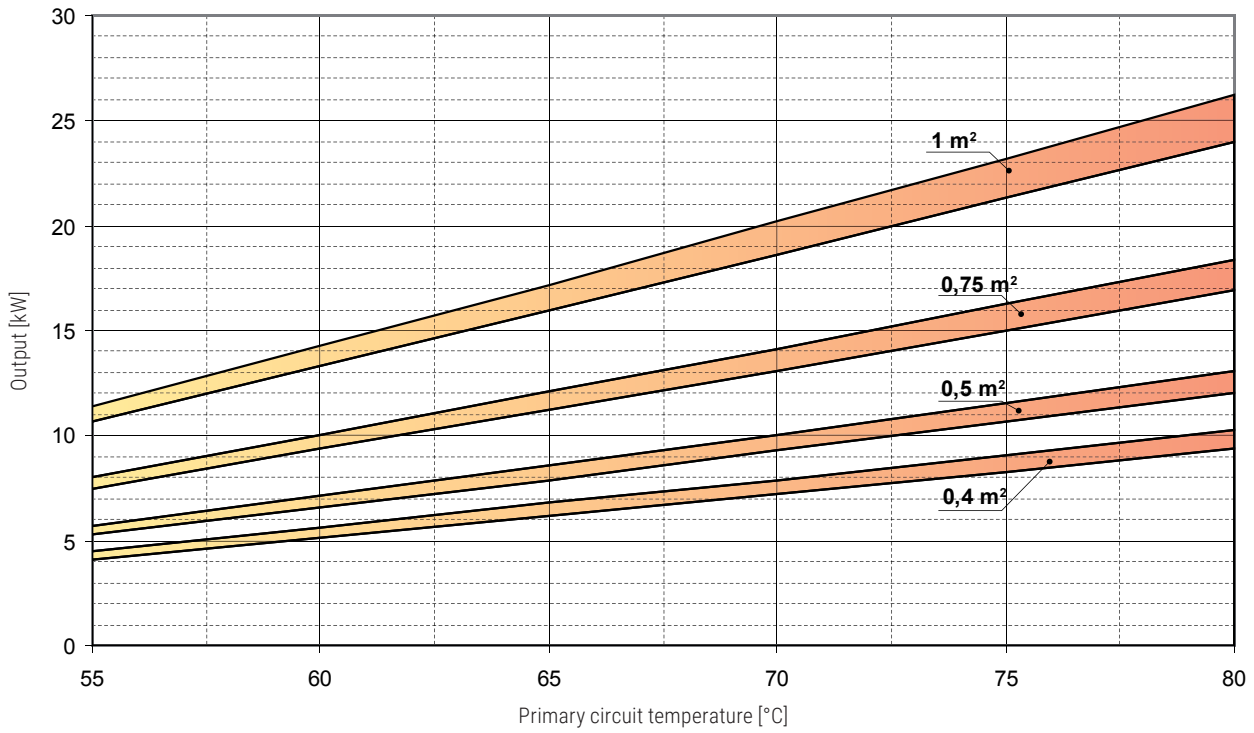


Heat exchanger surface [m ²]	
150	0,6
200	0,8
300	1,2
400	1,5
500	1,8
800	2,7
1000	3,5
1500	3,8

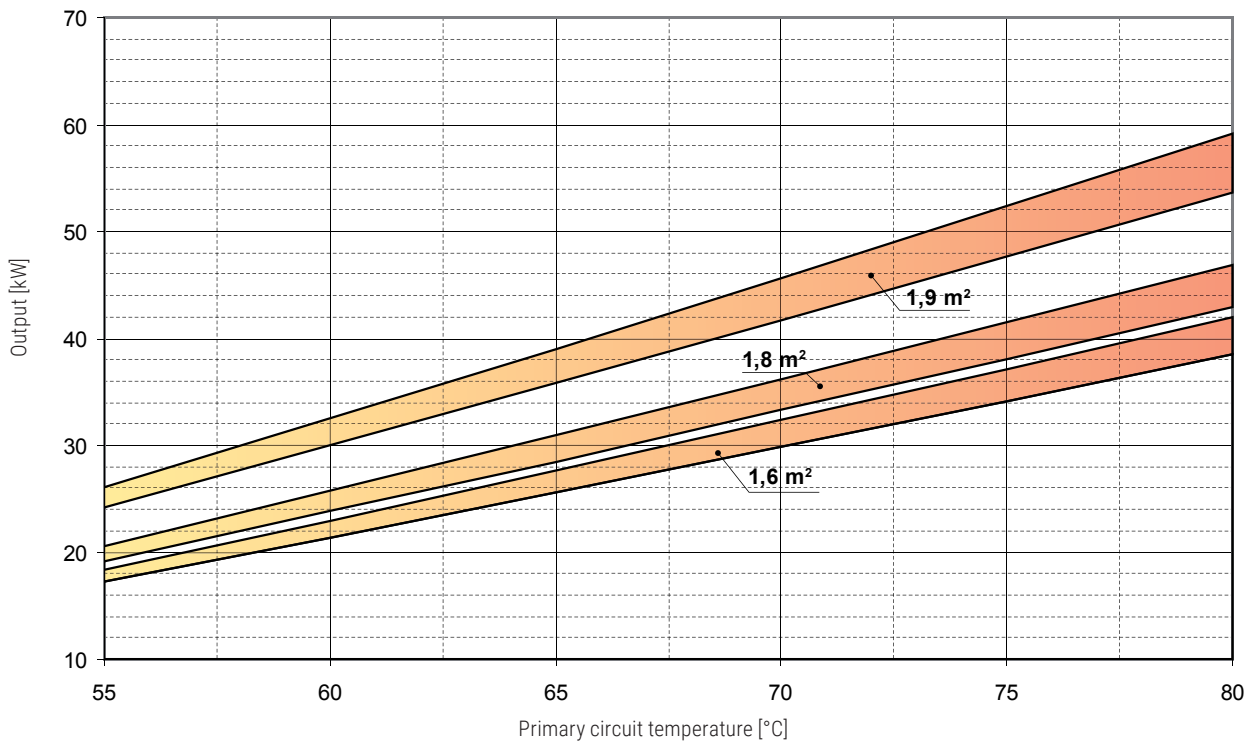


BOLLY® 2 ST - UPPER HEAT EXCHANGER OUTPUT CHART

HEAT EXCHANGER OUTPUT REFERRED TO TEMPERATURE AND FLOW RATE OF PRIMARY CIRCUIT AND WITH SECONDARY AT 10/45°C AT MAXIMUM WITHDRAWAL OF PRODUCIBLE DHW (UPPER LIMIT OF THE CURVES REFERRED TO MAXIMUM PRIMARY FLOW RATE IN THE HEAT EXCHANGER, WHILE THE LOWER LIMIT IN THE CURVE REFERS TO THE MINIMUM PRIMARY FLOW RATE)



Heat exchanger surface	0,4 m ²		0,5 m ²		0,75 m ²		1 m ²	
Flow rate [m ³ /h]	MAX	MIN	MAX	MIN	MAX	MIN	MAX	MIN
	2	1	2,5	1,25	3	1,5	3,5	1,75



Heat exchanger surface	1,6 m ²		1,8 m ²		1,9 m ²	
Flow rate [m ³ /h]	MAX	MIN	MAX	MIN	MAX	MIN
	6	3	6	3	6	3

LOWER HEAT EXCHANGER TECHNICAL DATA - SEE BOLLY® 1 ST

BOLLY® 1 AP - HIGH PERFORMANCES

POLYWARM® COATED DOMESTIC HOT WATER CALORIFIER WITH 1 FIXED HEAT EXCHANGER



APPLICATION

Production and storage of domestic hot water.

MATERIAL

Mild steel Polywarm® coated (Attestation ACS - SSICA - DVGW - W270 - UBA - WRAS)

HEAT EXCHANGER

1 Polywarm® coated fixed heat exchanger

INSULATION

High thermal insulation with ecological polyurethane hard foam.

Grey PVC external lining

CATHODE PROTECTION

Magnesium anode.

DRAIN

External confluence through drain connection.

GASKET- FLANGE PLATE

Silicone gaskets suitable for alimentary use for max temperature up to 200°C. Mild steel inspection flange plate with Polywarm®

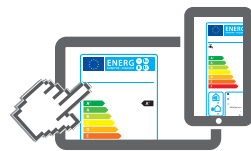
WARRANTY

5 years - See general sales conditions and warranty

ACCESSORIES AND SPARE PARTS : See Accessories section for the entire list.



HARD FOAM INSULATION



www.cordivari.com/erp

On line ErP label tool

BOLLY® 1 AP WB

Model	HARD FOAM insulation Art. Nr.	HEAT EXCHANGER SURFACE	ENERGY EFFICIENCY CLASS
		[m²]	
150	3105162320501	1,1	B
200	3105162320502	1,5	B
300	3105162320503	1,8	C
400	3105162320504	2	C
500	3105162320505	2,6	C

ELECTRICAL IMMERSION HEATERS

Mod.	Volume of water heated by the electrical immersion [lt]	MONOPHASE		
		1,5 kW	2 kW	3 kW
		5240000000051	5240000000052	5240000000053
Ignition time from 10 °C to 45 °C with immersion heaters [min]				
150	42	76	57	38
200	72	128	96	64
300	113	202	152	101
400	167	299	225	150
500	184	329	247	165

Accessories on request

"Easy Control" Electronic Display

ART. NR.	FOR MODELS
5005000310003	WB



Electrical immersion flange plate

See Accessories section



Titanium electronic anode

Art. Nr.	Model
5200000000008	200, 300
5200000000009	500

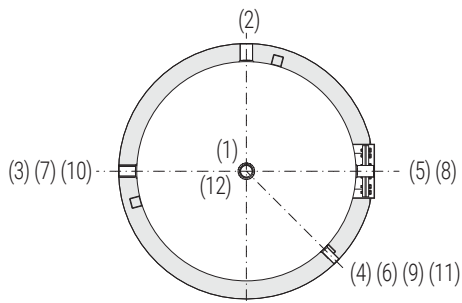
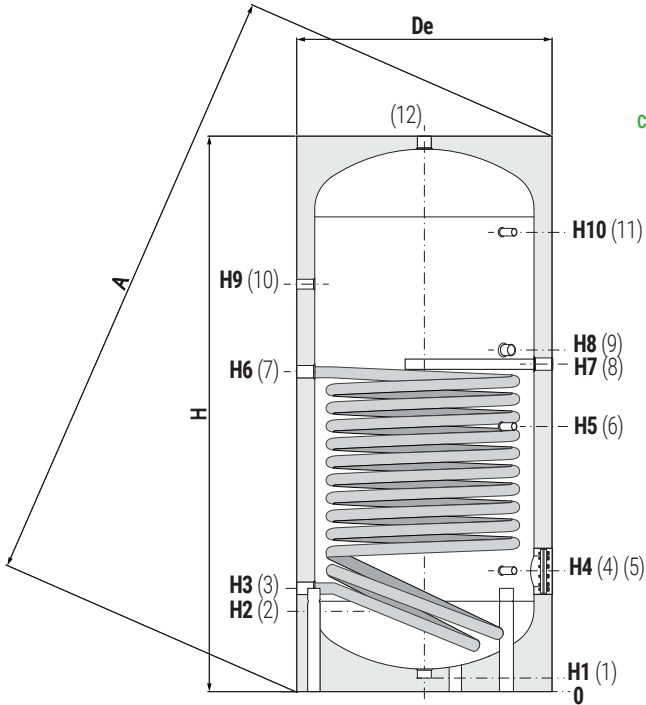
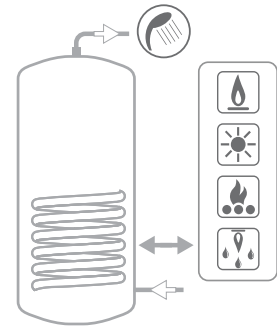


BOLLY® 1 AP - HIGH PERFORMANCES

POLYWARM® COATED DOMESTIC HOT WATER CALORIFIER WITH 1 FIXED HEAT EXCHANGER

STORAGE		HEAT EXCHANGER	
Pmax	Tmax	Pmax	Tmax
10 bar	90 °C	12 bar	110 °C

CORDIVARI® Lab
 TÜV Rheinland Energie und Umwelt GmbH states that test procedures and Cordivari LAB are certified conforming to European standard EN 15332, as indicated by Ecodesign ErP Directive.



- 1 Drain 1" 1/4 Gas F
- 2 Domestic cold water circuit inlet
- 3 Heat exchanger outlet 1" 1/4 Gas F
- 4 Connection for instrumentation 1/2" Gas F
- 5 Blind flange for inspection Ø1 120
- 6 Connection for instrumentation 1/2" Gas F
- 7 Heat exchanger inlet 1" 1/4 Gas F
- 8 Connection for magnesium anode 1" 1/4 Gas F
- 9 Connection for electrical immersion 1" 1/2 Gas F
- 10 Recirculation
- 11 Connection for instrumentation 1/2" Gas F
- 12 Domestic hot water outlet 1" 1/4 Gas F

P.E.D. product designed and produced in conformity to the article 4.3 of directive 2014/68/UE - ErP Ecodesign directive 2009/125/CE

Model	Volume	Weight	De	H	A	H1	H2	H3
	[litres]	[Kg]						
150	148	54	500	1414	1500	71	210	275
200	189	63	550	1434	1536	71	220	285
300	291	75	650	1486	1622	71	246	311
400	422	93	700	1766	1900	71	261	339
500	498	118	750	1786	1937	71	271	346

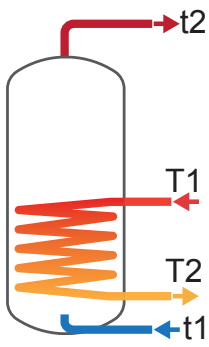
Model	H4	H5	H6	H7	H8	H9	H10	2-10 Connections Gas F
	[mm]							
150	315	725	888	956	1011	1065	1185	3/4"
200	325	735	1041	1155	1090	915	1195	3/4"
300	381	671	1020	1136	1071	1146	1221	1"
400	401	886	1116	1166	1236	1386	1486	1"
500	411	896	1135	1174	1142	1346	1486	1"

EXTRA-BOLLY® CALORIFIERS
 BOLLYTERM® CALORIFIERS
 STAINLESS STEEL CALORIFIERS
 CALORIFIERS FOR HEAT PUMP
 MULTIFUEL ENERGY CYLINDERS - PUFFER
 HYDRONIC
 INERTIAL TANKS
 WATER PRESSURE TANKS
 COMPRESSED AIR RECEIVERS
 ACCESSORIES AND SPARE PARTS
 TECHNICAL SUPPORT

BOLLY® 1 AP- HEAT EXCHANGERS TECHNICAL DATA

Data have been calculated on following basis:

- 1) Primary circuit at T1 and proper energy source;
- 2) Production of DHW in continue way from 10 °C at t2;
- 3) DHW that can be taken in the first 10' and in the first hour from storage at 60°C, input 10°C and output 45°C;
- 4) Sanitary water according to UNI CTI 8065.



FIXED HEAT EXCHANGER

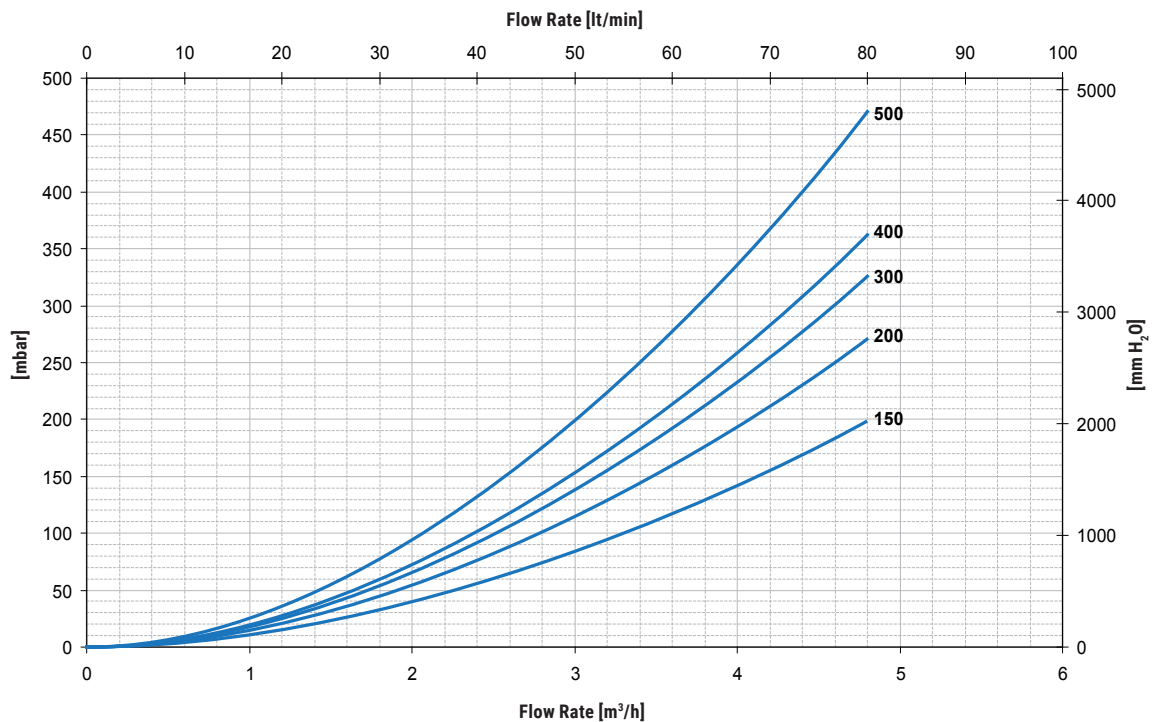
Model	Ignition time (minutes) from 10 °C to t2 and primary at T1				Maximum power exchange (kW) with primary at T1, secondary within 10-45 °C and constant use of DHW production				DHW continuous production lt/h within 10-45 °C and primary at T1			
	T1/t2				T1				T1			
	55/50	65/60	70/60	80/60	55	65	70	80	55	65	70	80
150	56	58	41	27	11,9	17,8	20,7	26,8	294	439	512	662
	65	68	48	32	10,8	15,8	18,3	23,4	266	390	452	577
200	51	53	37	25	16,4	24,4	28,5	36,7	405	603	703	908
	60	62	44	29	15	21,8	25,2	32,1	369	539	623	795
300	65	67	48	31	19,9	29,6	34,5	44,4	490	731	852	1099
	75	79	56	37	18,2	26,6	30,7	39,1	449	656	759	968
400	80	83	58	38	22,3	33,2	38,7	49,9	549	820	956	1234
	92	96	68	45	20,6	30	34,7	44,3	506	741	858	1095
500	79	82	58	38	28,6	42,3	49,2	63,2	705	1045	1216	1563
	93	98	69	46	26,2	37,8	43,6	55,2	645	933	1076	1365

PRESSURE LOSS - FIXED HEAT EXCHANGERS BOLLY® 1 AP



Heat exchanger surface [m²]

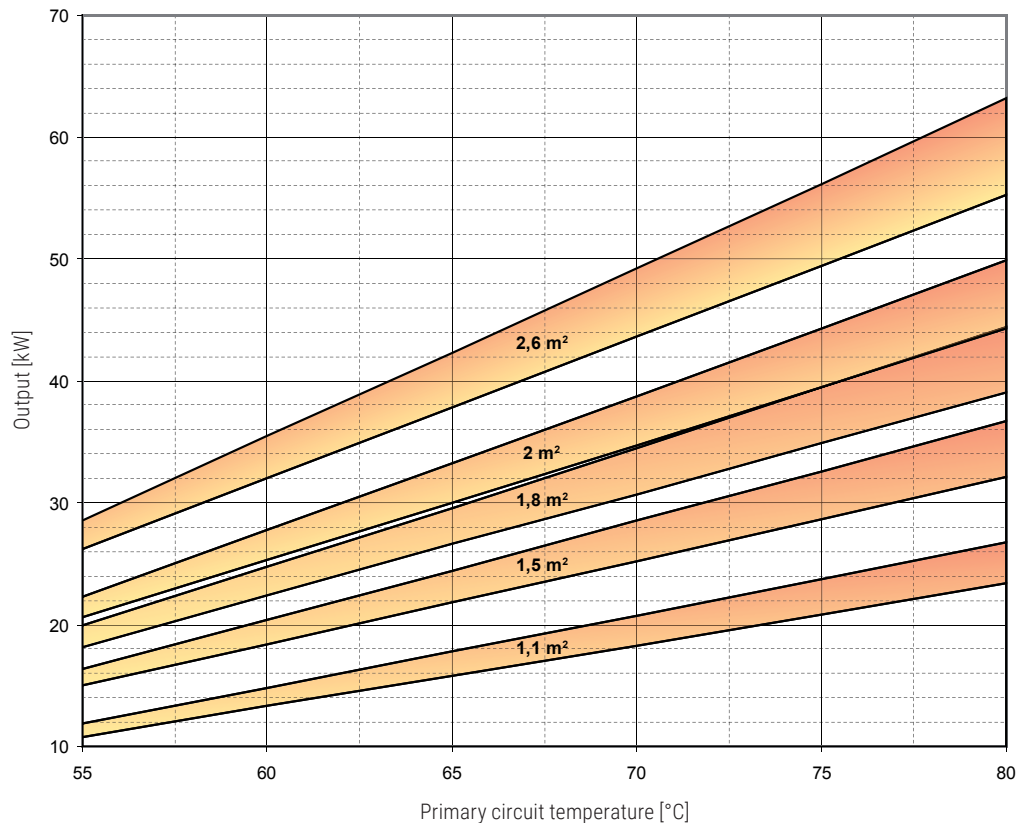
150	1,1
200	1,5
300	1,8
400	2
500	2,6



DHW produced in the first 10 minutes in lt/10' input 10 °C output 45 °C, storage at t2 and primary at T1				DHW produced in the first hour in lt/60' input 10 °C output 45 °C, storage at t2 and primary at T1				Flow rate [m³/h]	Exchanger pressure loss	
T1/t2				T1/t2					[mm.H ₂ O]	[mbar]
55/50	65/60	70/60	80/60	55/50	65/60	70/60	80/60			
217	283	295	320	403	561	620	740	2	401,22	39,35
212	275	285	306	381	522	572	672	1	111,14	10,90
284	371	387	421	540	752	832	996	2,5	827,10	81,11
278	360	374	403	511	701	768	906	1,25	229,11	22,47
414	538	558	599	725	1001	1097	1295	3	1391,18	136,43
407	525	542	577	692	941	1023	1190	1,5	385,37	37,79
573	738	761	807	920	1257	1366	1589	3,5	2056,48	201,67
565	725	744	784	886	1194	1288	1477	1,75	569,66	55,86
686	884	913	971	1132	1546	1683	1960	3,5	262,17	2673,43
676	866	889	938	1084	1456	1571	1802	1,75	72,62	740,56

HEAT EXCHANGERS OUTPUT CHART BOLLY® 1 AP

HEAT EXCHANGER OUTPUT REFERRED TO TEMPERATURE AND FLOW RATE OF PRIMARY CIRCUIT AND WITH SECONDARY AT 10/45°C AT MAXIMUM WITHDRAWAL OF PRODUCIBLE DHW (UPPER LIMIT OF THE CURVES REFERRED TO MAXIMUM PRIMARY FLOW RATE IN THE HEAT EXCHANGER, WHILE THE LOWER LIMIT IN THE CURVE REFERS TO THE MINIMUM PRIMARY FLOW RATE)



Heat exchanger surface	1,1 m ²		1,5 m ²		1,8 m ²		2 m ²		2,6 m ²	
	MAX	MIN	MAX	MIN	MAX	MIN	MAX	MIN	MAX	MIN
Flow rate [m³/h]	2	1	2,5	1,25	3	1,5	3,5	1,75	3,5	1,75

BOLLY® 2 AP - HIGH PERFORMANCES

POLYWARM® COATED DOMESTIC HOT WATER CALORIFIER WITH 2 FIXED HEAT EXCHANGERS



APPLICATION

Production and storage of domestic hot water.

MATERIAL

Mild steel Polywarm® coated (Attestation ACS - SSICA - DVGW - W270 - UBA - WRAS)

HEAT EXCHANGER

2 Polywarm® coated fixed heat exchangers

INSULATION

High thermal insulation with ecological polyurethane hard foam.

Grey PVC external lining

CATHODE PROTECTION

Magnesium anode.

DRAIN

External confluence through drain connection.

GASKET- FLANGE PLATE

Silicone gaskets suitable for alimentary use for max temperature up to 200°C. Mild steel inspection flange plate with Polywarm®

WARRANTY

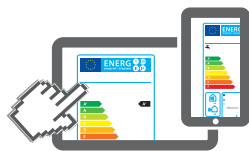
5 years - See general sales conditions and warranty

ACCESSORIES AND SPARE PARTS

See Accessories section for the entire list.




HARD FOAM INSULATION



www.cordivari.com/erp

On line ErP label tool

BOLLY® 2 AP WB

Model	HARD FOAM insulation Art. Nr.	HEAT EXCHANGER SURFACE		ENERGY EFFICIENCY CLASS 
		Upper	Lower	
		[m²]		
200	3135162325102	0,4	1,4	B
300	3135162320503	0,9	1,4	C
500	3135162320505	1,3	2	C

ELECTRICAL IMMERSION HEATERS

Mod.	Volume of water heated by the electrical immersion [lt]	MONOPHASE		
		1,5 kW	2 kW	3 kW
		5240000000051	5240000000052	5240000000053
Ignition time from 10 °C to 45 °C with immersion heaters [min]				
200	54	88	60	44
300	105	188	141	94
500	172	307	230	154

Accessories on request

"Easy Control" Electronic Display

ART. NR.	FOR MODELS
5005000310003	WB



Electrical immersion flange plate

See Accessories section



Titanium electronic anode

Art. Nr.	Model
5200000000008	200, 300
5200000000009	500

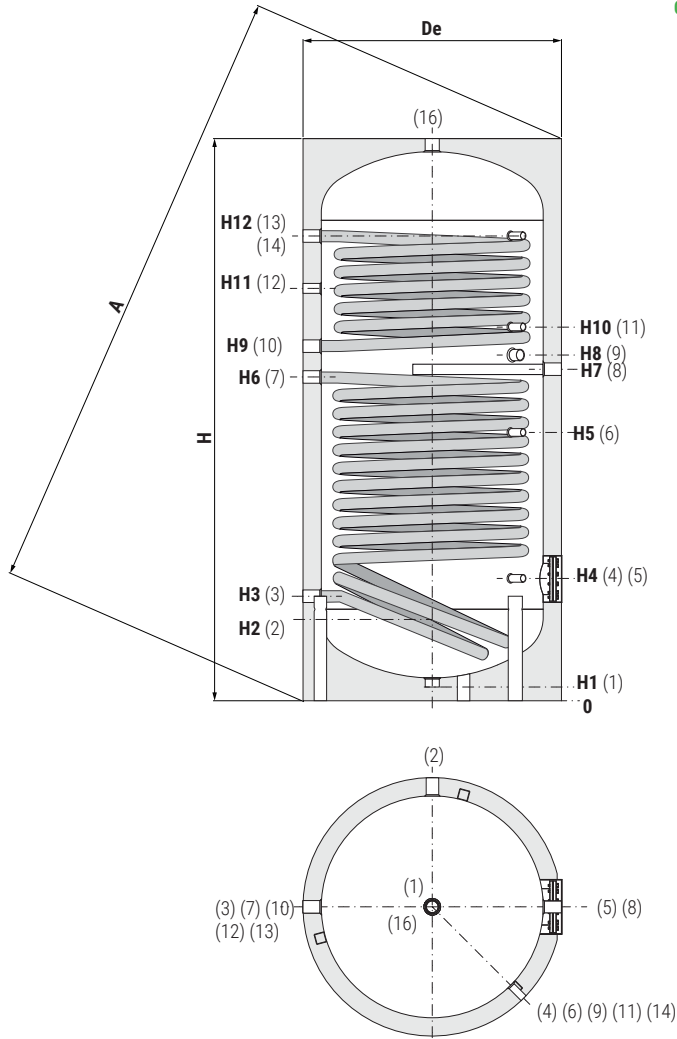
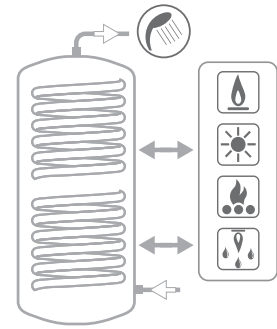


BOLLY® 2 AP- HIGH PERFORMANCES

POLYWARM® COATED DOMESTIC HOT WATER CALORIFIER WITH 2 FIXED HEAT EXCHANGERS

STORAGE		HEAT EXCHANGER	
Pmax	Tmax	Pmax	Tmax
10 bar	90 °C	12 bar	110 °C

CORDIVARI Lab
TÜV Rheinland Energie und Umwelt GmbH states that test procedures and Cordivari LAB are certified conforming to European standard EN 15332, as indicated by Ecodesign ErP Directive.



- | | |
|----|---|
| 1 | Drain 1"1/4 Gas F |
| 2 | Domestic cold water circuit inlet 1" Gas F |
| 3 | Lower heat exchanger outlet 1"1/4 Gas F |
| 4 | Connection for instrumentation 1/2" Gas F |
| 5 | Blind flange for inspection Øi 120 mm |
| 6 | Connection for instrumentation 1/2" Gas F |
| 7 | Lower heat exchanger inlet 1"1/4 Gas F |
| 8 | Connection for magnesium anode 1"1/4 Gas F |
| 9 | Connection for electrical immersion 1"1/2 Gas F |
| 10 | Upper heat exchanger outlet 1"1/4 Gas F |
| 11 | Connection for instrumentation 1/2" Gas F |
| 12 | Recirculation 1" Gas F |
| 13 | Upper heat exchanger inlet 1"1/4 Gas F |
| 14 | Connection for instrumentation 1/2" Gas F |
| 16 | Domestic hot water outlet 1"1/4 Gas F |

Model	Volume	Weight	De	H	A	H1	H2	H3
	[litres]	[Kg]						
200	189	67	550	1434	1535	71	220	285
300	291	82	650	1486	1622	71	246	311
500	498	131	750	1786	1937	71	271	346

Model	H4	H5	H6	H7	H8	H9	H10	H11	H12
	[mm]								
200	325	745	760	955	995	1015	1105	1115	1205
300	381	671	832	871	931	981	1076	1101	1221
500	411	896	1036	1076	1144	1186	1296	1331	1476

P.E.D. product designed and produced in conformity to the article 4.3 of directive 2014/68/UE - ErP Ecodesign directive 2009/125/CE

EXTRA-BOLLY® CALORIFIERS

BOLLYTERM® CALORIFIERS

STAINLESS STEEL CALORIFIERS

CALORIFIERS FOR HEAT PUMP

MULTIFUEL ENERGY CYLINDERS - PUFFER

HYDRONIC

INERTIAL TANKS

WATER PRESSURE TANKS

COMPRESSED AIR RECEIVERS

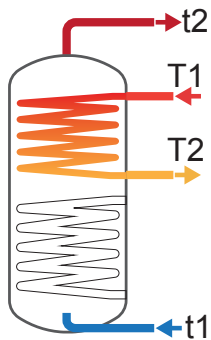
ACCESSORIES AND SPARE PARTS

TECHNICAL SUPPORT

BOLLY® 2 AP- HEAT EXCHANGERS TECHNICAL DATA

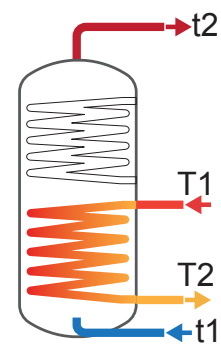
Data have been calculated on following basis:

- 1) Primary circuit at T1 and proper energy source;
- 2) Production of DHW in continue way from 10 °C at t2;
- 3) DHW that can be taken in the first 10' and in the first hour from storage at 60°C, input 10°C and output 45°C;
- 4) Sanitary water according to UNI CTI 8065.



UPPER FIXED HEAT EXCHANGER

Model	Ignition time (minutes) from 10 °C to t2 and primary at T1				Maximum power exchange (kW) with primary at T1, secondary within 10-45 °C and constant use of DHW production				DHW continuous production lt/h within 10-45 °C and primary at T1			
	T1/t2				T1				T1			
	55/50	65/60	70/60	80/60	55	65	70	80	55	65	70	80
300	41	43	30	20	9,9	15	17,5	22,8	243	368	432	562
	47	48	34	22	9,1	13,6	15,8	20,4	223	333	389	503
500	49	51	35	23	14,4	22,5	25,9	32,8	353	532	623	809
	55	57	40	26	13,3	19,6	22,8	29,3	326	482	562	724



LOWER FIXED HEAT EXCHANGER

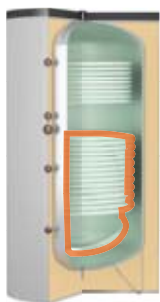
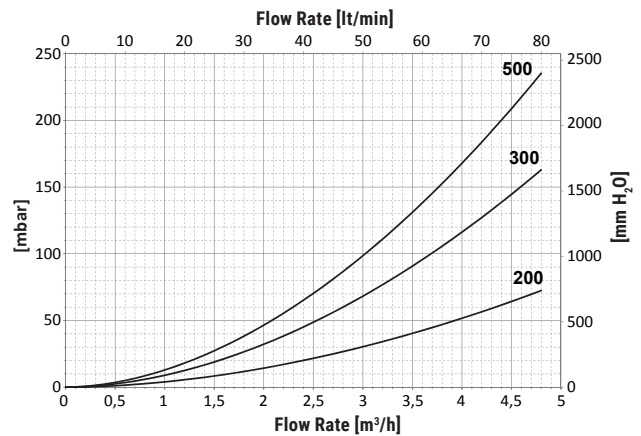
Model	Ignition time (minutes) from 10 °C to t2 and primary at T1				Maximum power exchange (kW) with primary at T1, secondary within 10-45 °C and constant use of DHW production				DHW continuous production lt/h within 10-45 °C and primary at T1			
	T1/t2				T1				T1			
	55/50	65/60	70/60	80/60	55	65	70	80	55	65	70	80
300	82	85	60	39	15,6	23,4	27,3	36,3	384	576	673	871
	94	98	69	45	14,6	21,2	24,6	31,6	354	522	607	778
500	100	104	73	48	22,3	33,2	38,7	49,9	549	820	956	1234
	115	120	85	56	20,6	30	34,7	44,3	506	741	858	1095

PRESSURE LOSS - FIXED HEAT EXCHANGERS BOLLY® 2 AP



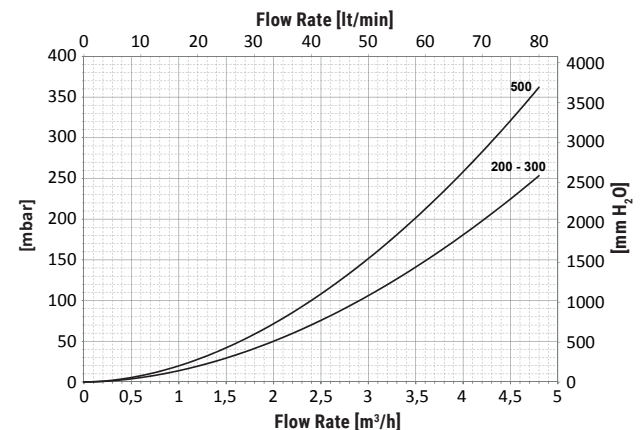
UPPER

Heat exchanger surface [m ²]	
200	0,4
300	0,9
500	1,3



LOWER

Heat exchanger surface [m ²]	
200	1,4
300	1,4
500	2

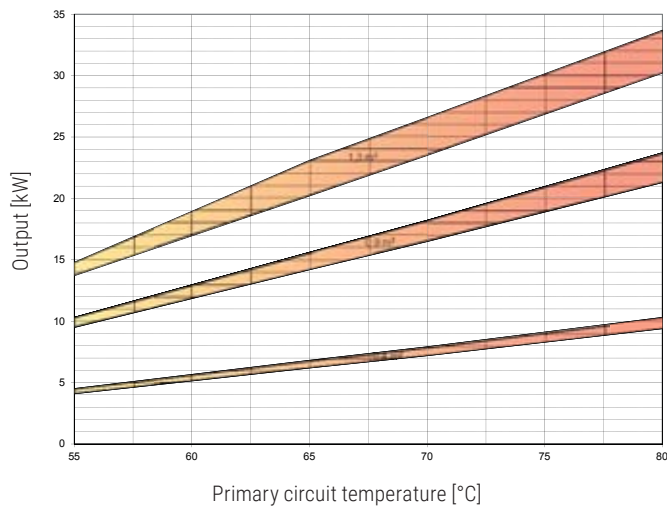


DHW produced in the first 10 minutes in lt/10' input 10 °C output 45 °C, storage at t2 and primary at T1				DHW produced in the first hour in lt/60' input 10 °C output 45 °C, storage at t2 and primary at T1				Flow rate [m³/h]	Exchanger pressure loss	
T1/t2				T1/t2					[mm.H ₂ O]	[mbar]
55/50	65/60	70/60	80/60	55/50	65/60	70/60	80/60			
149	197	208	229	303	430	481	585	3	194,65	19,09
146	191	201	220	287	402	447	538	1,5	53,92	5,29
242	317	332	363	465	654	727	876	3,5	316,51	31,04
237	309	322	349	444	614	678	808	1,75	87,68	8,60

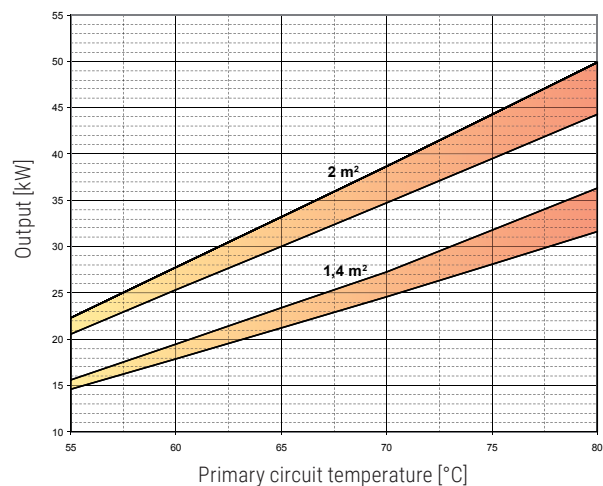
DHW produced in the first 10 minutes in lt/10' input 10 °C output 45 °C, storage at t2 and primary at T1				DHW produced in the first hour in lt/60' input 10 °C output 45 °C, storage at t2 and primary at T1				Flow rate [m³/h]	Exchanger pressure loss	
T1/t2				T1/t2					[mm.H ₂ O]	[mbar]
55/50	65/60	70/60	80/60	55/50	65/60	70/60	80/60			
397	512	528	561	640	877	954	1113	3	1082,03	106,11
392	503	517	545	616	833	901	1038	1,5	299,73	29,39
660	847	869	916	1007	1366	1475	1697	3,5	2056,48	201,67
652	834	853	893	973	1303	1396	1586	1,75	569,66	55,86

HEAT EXCHANGERS OUTPUT CHART BOLLY® 2 AP

HEAT EXCHANGER OUTPUT REFERRED TO TEMPERATURE AND FLOW RATE OF PRIMARY CIRCUIT AND WITH SECONDARY AT 10/45°C AT MAXIMUM WITHDRAWAL OF PRODUCIBLE DHW (UPPER LIMIT OF THE CURVES REFERRED TO MAXIMUM PRIMARY FLOW RATE IN THE HEAT EXCHANGER, WHILE THE LOWER LIMIT IN THE CURVE REFERS TO THE MINIMUM PRIMARY FLOW RATE)



Heat exchanger surface	0,4 m ²		0,9 m ²		1,3 m ²	
	MAX	MIN	MAX	MIN	MAX	MIN
Flow rate [m³/h]	2	1	3	1,5	3,5	1,75



Heat exchanger surface	1,4 m ²		2 m ²	
	MAX	MIN	MAX	MIN
Flow rate [m³/h]	3	1,5	3,5	1,75

BOLLY® 1 CLASSE A

POLYWARM® COATED DOMESTIC HOT WATER CALORIFIER WITH 1 FIXED HEAT EXCHANGER



APPLICATION

Production and storage of domestic hot water.

MATERIAL

Mild steel Polywarm® coated (Attestation ACS - SSICA - DVGW - W270 - UBA - WRAS)

HEAT EXCHANGER

1 Polywarm® coated fixed heat exchanger.

INSULATION

High thermal insulation with ecological polyurethane hard foam.

Grey PVC external lining

CATHODE PROTECTION

Magnesium anode.

DRAIN

External confluence through drain connection.

GASKET- FLANGE PLATE

Silicone gaskets suitable for alimentary use for max temperature up to 200°C. Mild steel inspection flange plate with Polywarm®

WARRANTY

5 years - See general sales conditions and warranty

ACCESSORIES AND SPARE PARTS :

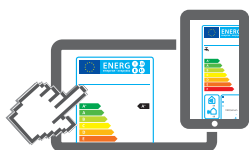
See Accessories section for the entire list.



ENERGY EFFICIENCY CLASS



HARD FOAM INSULATION



www.cordivari.com/erp

On line ErP label tool

BOLLY® 1 WB CLASSE A

Model	HARD FOAM insulation Art. Nr.	HEAT EXCHANGER SURFACE [m ²]	ENERGY EFFICIENCY CLASS
200	3104162330002	0,8	A
300	3104162330003	1,2	A
500	3104162330005	1,8	A



ELECTRICAL IMMERSION HEATERS

Model	Volume of water heated by the electrical immersion [lt]
200	72
300	113
500	184

MONOPHASE		
1,5 kW	2 kW	3 kW
5240000000051	5240000000052	5240000000053
Ignition time from 10 °C to 45 °C with immersion heaters [min]		
128	96	64
202	152	101
329	247	165

Accessories on request

"Easy Control" Electronic Display

ART. NR.	FOR MODELS
5005000310003	WB



Thermometer

Art. Nr.
5032240000107
5 units box



Titanium electronic anode

See Accessories section

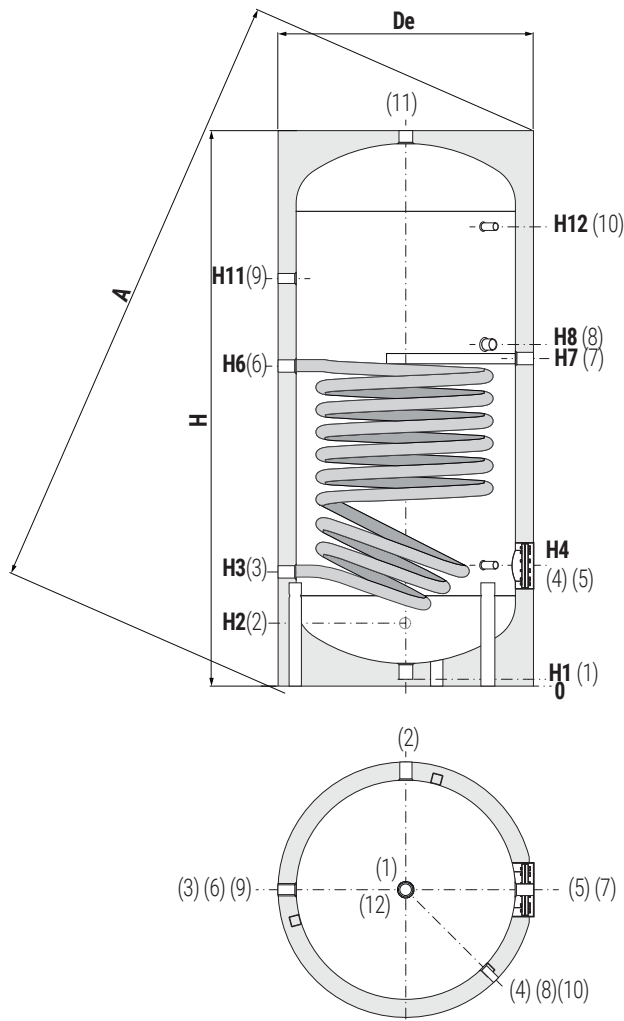
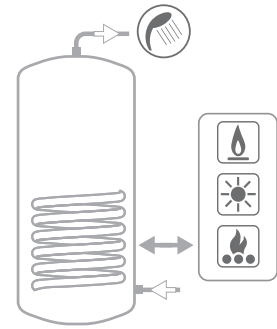


BOLLY® 1 CLASSE A

POLYWARM® COATED DOMESTIC HOT WATER CALORIFIER WITH 1 FIXED HEAT EXCHANGER

STORAGE		HEAT EXCHANGER	
Pmax	Tmax	Pmax	Tmax
10 bar	90 °C	12 bar	110 °C

CORDIVARI Lab
TÜV Rheinland Energie und Umwelt GmbH states that test procedures and Cordivari LAB are certified conforming to European standard EN 15332, as indicated by Ecodesign ErP Directive.



1	Drain
2	Domestic cold water circuit inlet
3	Primary circuit outlet 1" 1/4 F
4-10	Connection for instrumentation 1/2" F
5	Blind flange for inspection (Ø1 70 mm)
6	Primary circuit inlet 1" 1/4 F
7	Connection for magnesium anode 1" 1/4 F
8	Connection for electrical immersion 1" 1/2 F
9	Recirculation
11	Domestic hot water outlet 1" 1/4 F

Model	Volume	Weight	De	H	A	H1	H2	H3	H4	H6	H7	H8	H11	H12	Connections Gas F		
	[litres]	[Kg]													1	2	9
200	189	62	650	1484	1620	70	220	285	325	811	855	915	1089	1195	1" 1/4	3/4"	3/4"
300	291	76	750	1536	1709	70	246	311	381	832	871	931	1101	1221	1" 1/4	1"	1"
500	498	138	1000	1911	2157	70	271	346	411	1036	1076	1144	1331	1476	1" 1/4	1"	1"

P.E.D. product designed and produced in conformity to the article 4.3 of directive 2014/68/UE - ErP Ecodesign directive 2009/125/CE

EXTRA-BOLLY® CALORIFIERS
BOLLYTERM® CALORIFIERS
STAINLESS STEEL CALORIFIERS
CALORIFIERS FOR HEAT PUMP
MULTIFUEL ENERGY CYLINDERS - PUFFER
HYDRONIC
INERTIAL TANKS
WATER PRESSURE TANKS
COMPRESSED AIR RECEIVERS
ACCESSORIES AND SPARE PARTS
TECHNICAL SUPPORT

BOLLY® 2 CLASSE A

POLYWARM® COATED DOMESTIC HOT WATER CALORIFIER WITH 2 FIXED HEAT EXCHANGERS



APPLICATION

Production and storage of domestic hot water.

MATERIAL

Mild steel Polywarm® coated (Attestation ACS - SSICA - DVGW - W270 - UBA - WRAS)

HEAT EXCHANGER

2 Polywarm® coated fixed heat exchangers.

INSULATION

High thermal insulation with ecological polyurethane hard foam.

Grey PVC external lining

CATHODE PROTECTION

Magnesium anode.

DRAIN

External confluence through drain connection.

GASKET- FLANGE PLATE

Silicone gaskets suitable for alimentary use for max temperature up to 200°C. Mild steel inspection flange plate with Polywarm®

WARRANTY

5 years - See general sales conditions and warranty

ACCESSORIES AND SPARE PARTS :

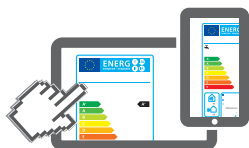
See Accessories section for the entire list.



ENERGY EFFICIENCY CLASS



HARD FOAM INSULATION



www.cordivari.com/erp

On line ErP label tool

BOLLY® 2 WB CLASSE A

HEAT EXCHANGER SURFACE

ENERGY EFFICIENCY CLASS

Model	HARD FOAM insulation Art. Nr.	HEAT EXCHANGER SURFACE		ENERGY EFFICIENCY CLASS
		Upper	Lower	
		[m ²]		
200	3134162330002	0,4	0,6	A
300	3134162330003	0,5	0,8	A
500	3134162330005	0,7	1,2	A



ELECTRICAL IMMERSION HEATERS

Model	Volume of water heated by the electrical immersion [lt]
200	72
300	113
500	184

MONOPHASE		
1,5 kW	2 kW	3 kW
5240000000051	5240000000052	5240000000053
Ignition time from 10 °C to 45 °C with immersion heaters [min]		
128	96	64
202	152	101
329	247	165

Accessories on request

"Easy Control" Electronic Display

ART. NR.	FOR MODELS
5005000310002	WC



Thermometer

Art. Nr.
5032240000107
5 units box



Titanium electronic anode

See Accessories section

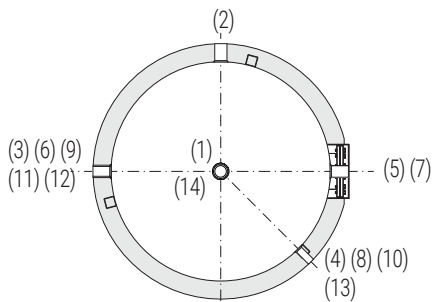
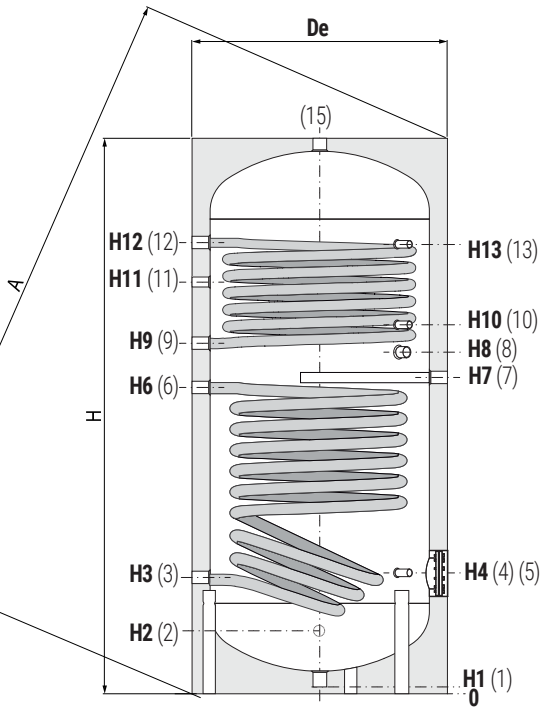
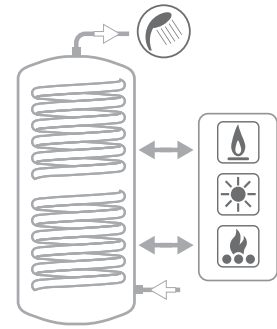


BOLLY® 2 CLASSE A

POLYWARM® COATED DOMESTIC HOT WATER CALORIFIER WITH 2 FIXED HEAT EXCHANGERS

STORAGE		HEAT EXCHANGER	
Pmax	Tmax	Pmax	Tmax
10 bar	90 °C	12 bar	110 °C

CORDIVARI Lab
TÜV Rheinland Energie und Umwelt GmbH states that test procedures and Cordivari LAB are certified conforming to European standard EN 15332, as indicated by Ecodesign ErP Directive.



- 1** Drain
- 2** Domestic cold water circuit inlet
- 3** Primary circuit outlet 1" Gas F
- 4-10 -13** Connection for instrumentation 1/2" Gas F
- 5** Blind flange for inspection (Øi 70 mm)
- 6** Primary circuit inlet 1" Gas F
- 7** Connection for magnesium anode 1"1/4 Gas F
- 8** Connection for electrical immersion 1"1/2 Gas F
- 9** Upper heat exchanger outlet 1" Gas F
- 11** Recirculation
- 12** Upper heat exchanger inlet 1" Gas F
- 15** Domestic hot water outlet 1" 1/4 Gas F

Model	Volume netto [litres]	Weight [Kg]	De	H	A	H1	H2	H3	H4	H6	H7	H8	H9	H10	H11	H12	H13	Connections Gas F		
																		1	2	9
200	189	72	650	1484	1620	70	220	285	325	811	855	915	960	1105	1089	1195	1195	1"1/4	3/4"	3/4"
300	291	92	750	1536	1709	70	246	311	381	832	871	931	981	1076	1101	1221	1221	1"1/4	1"	1"
500	498	152	1000	1911	2157	70	271	346	411	1036	1076	1144	1186	1296	1331	1476	1476	1"1/4	1"	1"

P.E.D. product designed and produced in conformity to the article 4.3 of directive 2014/68/UE - ErP Ecodesign directive 2009/125/CE

EXTRA-BOLLY® CALORIFIERS
BOLLYTERM® CALORIFIERS
STAINLESS STEEL CALORIFIERS
CALORIFIERS FOR HEAT PUMP
MULTIFUEL ENERGY CYLINDERS - PUFFER
HYDRONIC
INERTIAL TANKS
WATER PRESSURE TANKS
COMPRESSED AIR RECEIVERS
ACCESSORIES AND SPARE PARTS
TECHNICAL SUPPORT

BOLLY® XL

POLYWARM® COATED CALORIFIERS WITH 1 FIXED HEAT EXCHANGER



APPLICATION

Production and storage of domestic hot water.

MATERIAL

Mild steel Polywarm® coated (Attestation ACS - SSICA - DVGW - W270 - UBA - WRAS)

HEAT EXCHANGER

Polywarm® coated fixed heat exchanger.

INSULATION

High thermal insulation with ecological polyurethane hard foam.

Grey PVC external lining

CATHODE PROTECTION

Magnesium anode.

DRAIN

External confluence through drain connection.

GASKET- FLANGE PLATE

Silicone gaskets suitable for alimentary use for max temperature up to 200°C. Mild steel inspection flange plate with Polywarm® treatment and connection for electrical immersion heater.

WARRANTY

5 years - See general sales conditions and warranty

ACCESSORIES AND SPARE PARTS : See Accessories section for the entire list.

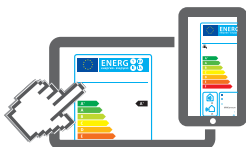


HARD FOAM INSULATION

BOLLY® XL WB

HEAT EXCHANGER SURFACE ENERGY EFFICIENCY CLASS

Model	HARD FOAM insulation Art. Nr.	[m ²]	ErP
200	3105162320702	2	B
300	3105162320703	3,4	C
400	3105162320706	4,4	C
500	3105162320705	5,4	C



www.cordivari.com/erp

On line ErP label tool

ELECTRICAL IMMERSION HEATERS

MONOPHASE

Mod.	Volume of water heated by the electrical immersion [lt]	MONOPHASE		
		1,5 kW	2 kW	3 kW
		5240000000051	5240000000052	5240000000053
Ignition time from 10 °C to 45 °C with immersion heaters [min]				
200	166	298	223	149
300	245	439	329	219
400	354	634	476	317
500	424	759	569	380

Accessories on request

"Easy Control" Electronic Display

ART. NR.
5005000310003



Thermometer

Art. Nr.
5032240000107
5 units box



Titanium electronic anode

Art. Nr.	Model
5200000000008	200, 300, 400
5200000000009	500



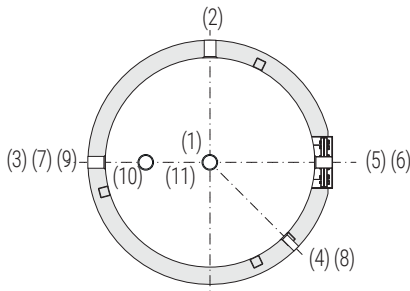
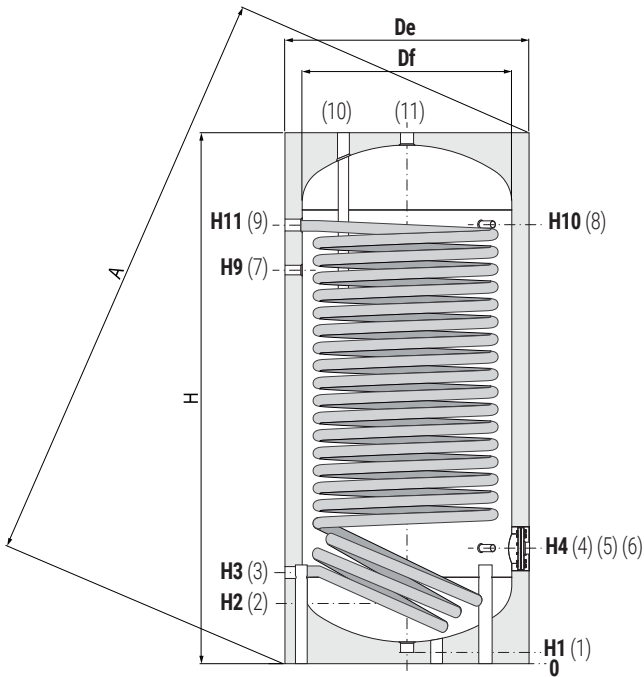
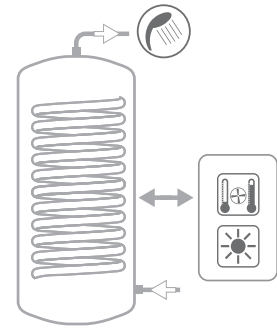
BOLLY® XL

POLYWARM® COATED CALORIFIERS WITH 1 FIXED HEAT EXCHANGER

STORAGE		HEAT EXCHANGER	
Pmax	Tmax	Pmax	Tmax
10 bar	90 °C	12 bar	110 °C



CORDIVARI® Lab
TÜV Rheinland Energie und Umwelt GmbH states that test procedures and Cordivari LAB are certified conforming to European standard EN 15332, as indicated by Ecodesign ErP Directive.



- | | |
|----|---|
| 1 | Drain 1"1/4 Gas F |
| 2 | Domestic cold water circuit inlet |
| 3 | Primary circuit outlet |
| 4 | Connection for instrumentation 1/2" Gas F |
| 5 | Blind flange for inspection Øi 120 mm |
| 6 | Connection for electrical immersion 1"1/2 Gas F |
| 7 | Recirculation |
| 8 | Connection for instrumentation 1/2" Gas F |
| 9 | Primary circuit inlet |
| 10 | Connection for magnesium anode 1"1/4 Gas F |
| 11 | Domestic hot water outlet 1"1/4 Gas F |

Model	Volume	De	H	A	H1	H2
	[litres]					
200	189	550	1440	1541	71	220
300	291	650	1492	1627	71	246
400	422	700	1766	1900	71	261
500	498	750	1792	1943	71	271

Model	H3	H4	H9	H10	H11	Connections Gas F	
	[mm]					2 - 7	3 - 9
200	285	325	1055	1190	1190	3/4"	1" 1/4
300	321	381	1091	1211	1211	1"	1" 1/4
400	336	396	1316	1471	1471	1"	1" 1/4
500	346	411	1326	1486	1486	1"	1" 1/4

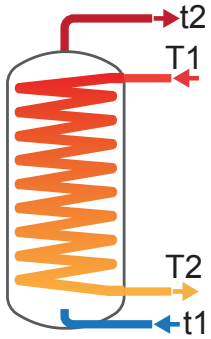
P.E.D. product designed and produced in conformity to the article 4.3 of directive 2014/68/UE - ErP Ecodesign directive 2009/125/CE

EXTRA- BOLLY® CALORIFIERS
BOLLYTERM® CALORIFIERS
STAINLESS STEEL CALORIFIERS
CALORIFIERS FOR HEAT PUMP
MULTIFUEL ENERGY CYLINDERS - PUFFER
HYDRONIC
INERTIAL TANKS
WATER PRESSURE TANKS
COMPRESSED AIR RECEIVERS
ACCESSORIES AND SPARE PARTS
TECHNICAL SUPPORT

BOLLY® XL - HEAT EXCHANGERS TECHNICAL DATA

Data have been calculated on following basis:

- 1) Primary circuit at T1 and proper energy source;
- 2) Production of DHW in continue way from 10 °C at t2;
- 3) DHW that can be taken in the first 10' and in the first hour from storage at 60°C, input 10°C and output 45°C;
- 4) Sanitary water according to UNI CTI 8065.



FIXED HEAT EXCHANGER

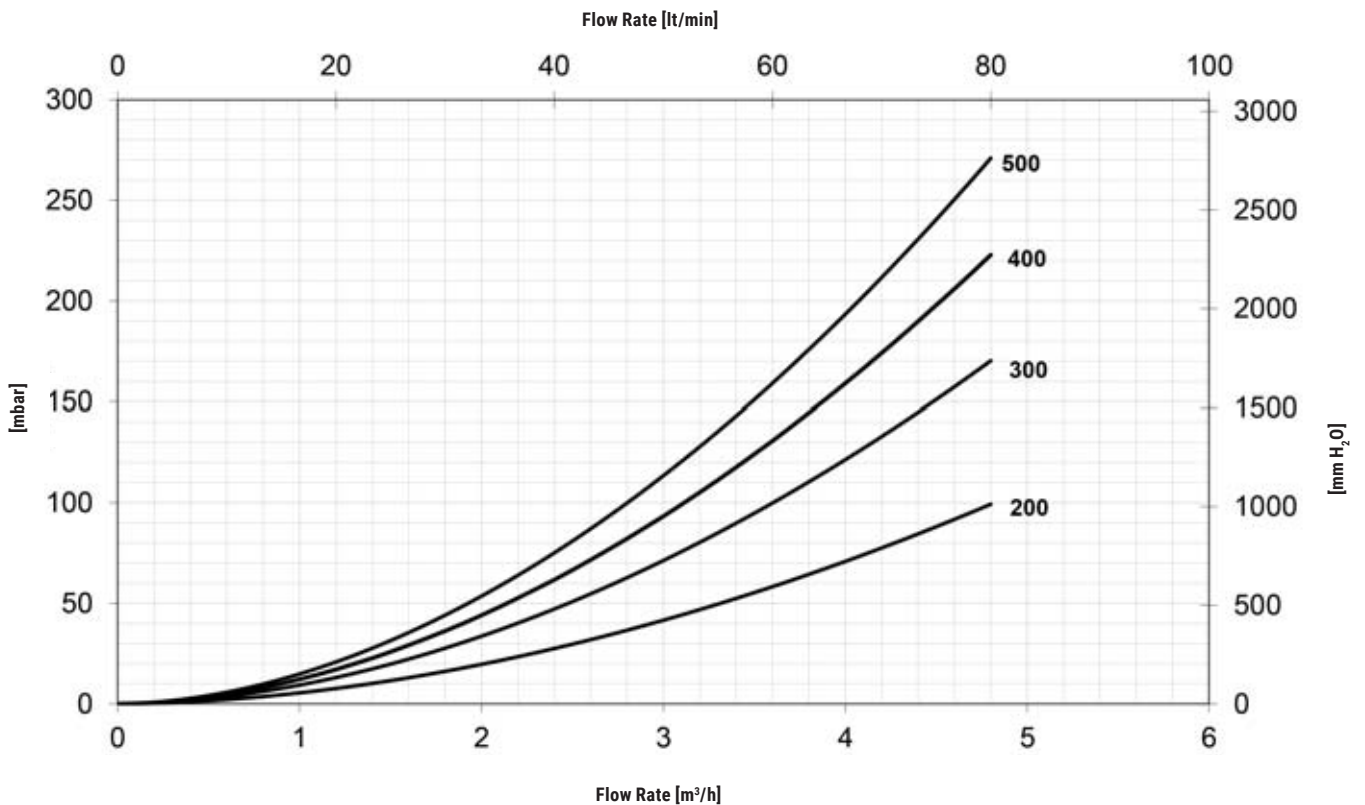
Model	Ignition time (minutes) from 10 °C to t2 and primary at T1				Maximum power exchange (kW) with primary at T1, secondary within 10-45 °C and constant use of DHW production				DHW continuous production lt/h within 10-45 °C and primary at T1			
	T1/t2				T1				T1			
	55/50	65/60	70/60	80/60	55	65	70	80	55	65	70	80
200	40	42	30	20	21,2	31,2	36,3	46,6	522	773	899	1153
	48	50	36	24	19,1	27,6	31,7	40,2	472	681	785	995
300	39	40	29	19	34,9	50,9	58,9	75,1	862	1260	1459	1860
	48	51	36	24	30,8	43,7	50	62,7	762	1081	1238	1552
400	40	46	33	22	46	66,4	76,7	97,5	1129	1642	1899	2416
	55	58	41	28	40	57	65	81	999	1047	1608	2009
500	44	46	33	22	54,5	78,6	90,6	114,6	1349	1946	2243	2838
	57	60	43	29	47,9	66,7	75,9	94,1	1185	1651	1877	2330

PRESSURE LOSS - FIXED HEAT EXCHANGERS BOLLY® XL



Heat exchanger surface [m²]

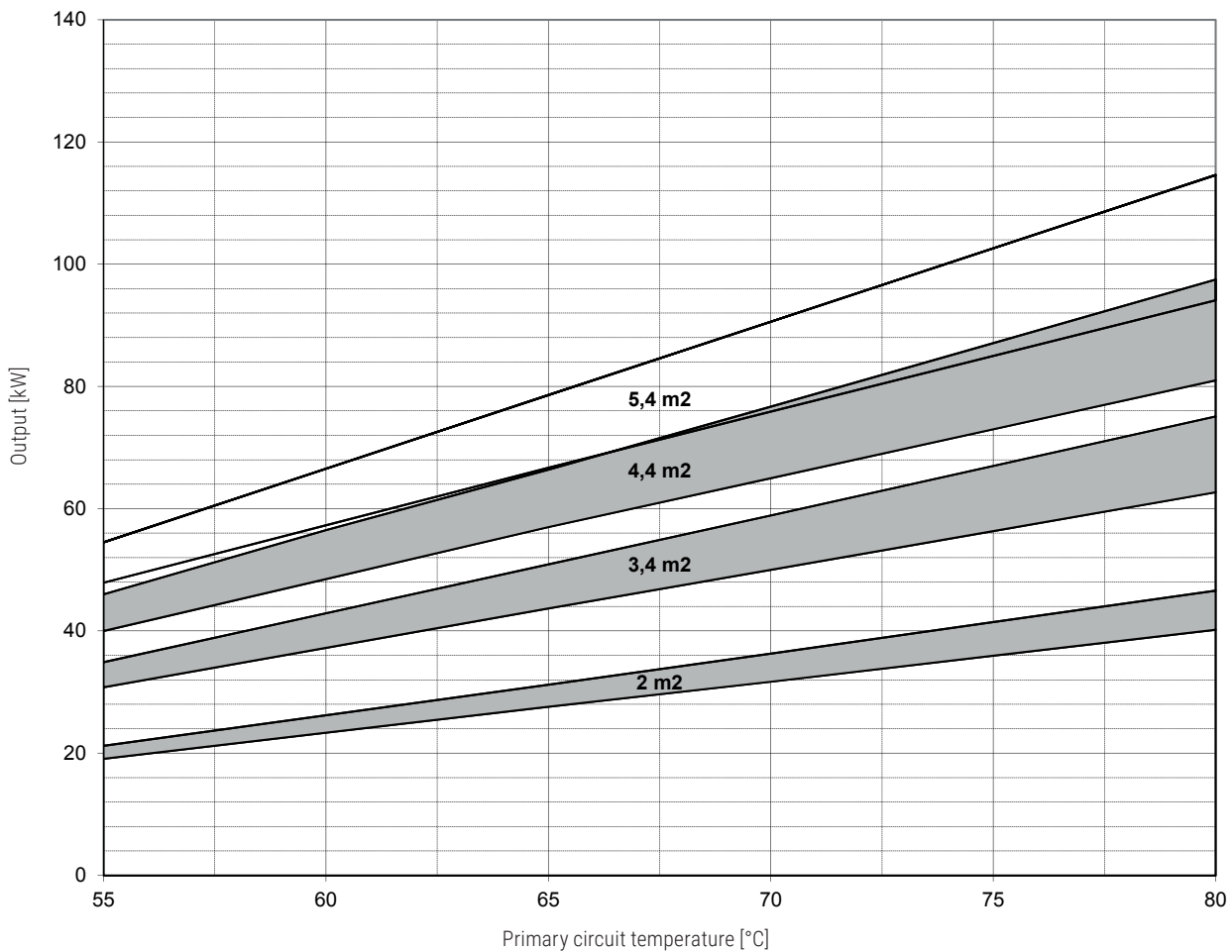
200	2
300	3,4
400	4,4
500	5,4



DHW produced in the first 10 minutes in lt/10' input 10 °C output 45 °C, storage at t2 and primary at T1				DHW produced in the first hour in lt/60' input 10 °C output 45 °C, storage at t2 and primary at T1				Flow rate [m³/h]	Exchanger pressure loss	
T1/t2				T1/t2					[mm.H ₂ O]	[mbar]
55/50	65/60	70/60	80/60	55/50	65/60	70/60	80/60			
303	399	420	462	634	888	989	1192	2,5	325,22	29,66
295	384	401	436	594	815	898	1066	1,25	83,78	8,22
476	626	659	726	1022	1424	1583	1904	3	726,71	71,27
460	596	622	674	942	1281	1406	1657	1,5	201,30	19,74
188	274	317	403	903	1314	1519	1933	3,5	1266,07	124,15
649	777	871	938	1281	1440	1889	2210	1,75	350,94	34,41
793	1034	1084	1183	1647	2267	2504	2980	3,5	1539,43	150,97
766	985	1023	1098	1516	2031	2212	2574	1,75	426,43	41,82

HEAT EXCHANGERS OUTPUT CHART BOLLY® XL

HEAT EXCHANGER OUTPUT REFERRED TO TEMPERATURE AND FLOW RATE OF PRIMARY CIRCUIT AND WITH SECONDARY AT 10/45°C AT MAXIMUM WITHDRAWAL OF PRODUCIBLE DHW (UPPER LIMIT OF THE CURVES REFERRED TO MAXIMUM PRIMARY FLOW RATE IN THE HEAT EXCHANGER, WHILE THE LOWER LIMIT IN THE CURVE REFERS TO THE MINIMUM PRIMARY FLOW RATE)



Heat exchanger	2 m²		3,4 m²		4,4 m²		5,4 m²	
	MAX	MIN	MAX	MIN	MAX	MIN	MAX	MIN
Flow rate [m³/h]	2,5	1,25	3	1,5	3,5	1,75	3,5	1,75

BOLLY® MURALE

HANGED POLYWARM® COATED CALORIFIER FOR D.H.W. PRODUCTION WITH 1 FIXED HIGH EFFICIENCY HEAT EXCHANGER



APPLICATION

Production and storage of domestic hot water.

MATERIAL

Mild steel Polywarm® coated (Attestation ACS - SSICA - DVGW - W270 - UBA - WRAS). Complete with wall brackets

HEAT EXCHANGER

Mild steel Polywarm® coated heat exchanger.

INSULATION

Ecological hard polyurethane foam with high thermal insulation. PVC external lining complete with top cover.

CATHODE PROTECTION

Magnesium anode.

DRAIN

External confluence through drain connection.

WARRANTY

5 years - See general sales conditions and warranty

ACCESSORIES AND SPARE PARTS

See Accessories section for the entire list.

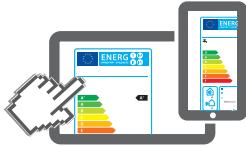
HARD FOAM INSULATION



BOLLY® MURALE WB

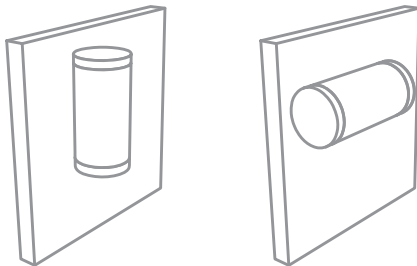
HEAT EXCHANGER SURFACE ENERGY EFFICIENCY CLASS

Model	HARD FOAM insulation Art. Nr.	[m ²]	ErP
80	3104160900021	0,44	C
100	3104160900022	0,44	C
150	3104160900023	0,63	C
200	3104160900024	0,84	C
300	3104160900025	1,22	C



www.cordivari.com/erp

On line ErP label tool



Vertical or horizontal wall hanged

Output Ignition time Production of D.H.W.

Model	Output	Ignition time	Production of D.H.W.	
	[kW]	[min]	[lt/h]	[lt/10']
80	14	26	345	171
100	14	32	345	200
150	21	33	508	298
200	29	32	704	403
300	42	34	1027	599

Thermic data are calculated with primary at 85°C and production of DHW from 10 to 45°C with storage at 60°C

Accessories on request

"Easy Control" Electronic Display

ART. NR.	FOR MODELS
5005000310003	WB



Thermometer

Art. Nr.
5032240000107
5 units box



Magnesium anode

ART. NR.	FOR MODELS
5200000041015	80=150
5200000041010	200=300
2 units box	



Electric immersion with thermostat

Art. Nr.	Output	Connection
5240000000042	1,5 kW	1" 1/4

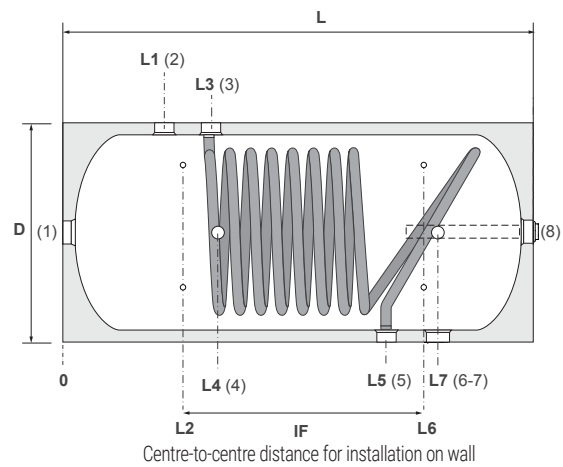
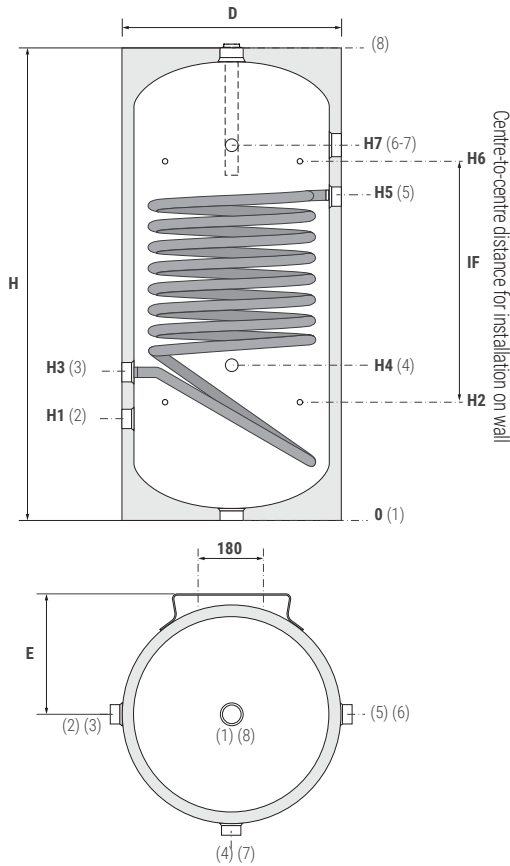
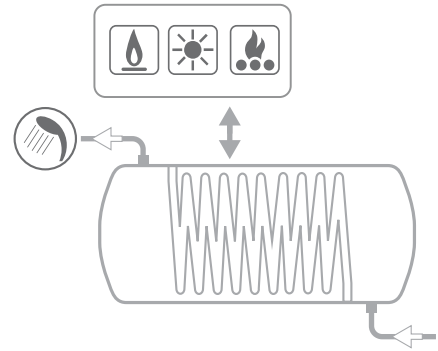


BOLLY® MURALE

HANGED POLYWARM® COATED CALORIFIER FOR D.H.W. PRODUCTION
WITH 1 FIXED HIGH EFFICIENCY HEAT EXCHANGER

STORAGE		HEAT EXCHANGER	
Pmax	Tmax	Pmax	Tmax
10 bar	90 °C	12 bar	110 °C

CORDIVARI Lab
TÜV Rheinland Energie und Umwelt GmbH states that test procedures and Cordivari LAB are certified conforming to European standard EN 15332, as indicated by Ecodesign ErP Directive.



VERTICAL WALL HANGED

- 1 Connection 1"1/4 Gas F
- 2 Domestic cold water circuit inlet 1"Gas F
- 3 Primary circuit outlet 1"1/4 Gas F
- 4 Connection for instrumentation 1/2" Gas F
- 5 Primary circuit inlet 1"1/4 Gas F
- 6 Connection for instrumentation 1/2" Gas F
- 7 Domestic hot water outlet 1"Gas F
- 8 Magnesium anode 1"1/4 Gas F

HORIZONTAL WALL HANGED

- 1 Connection 1"1/4 Gas F
- 2 Domestic cold water circuit inlet 1"Gas F
- 3 Primary circuit outlet 1"1/4 Gas F
- 4 Connection for instrumentation 1/2" Gas F
- 5 Primary circuit inlet 1"1/4 Gas F
- 6 Connection for instrumentation 1/2" Gas F
- 7 Domestic hot water outlet 1"Gas F
- 8 Magnesium anode 1"1/4 Gas F

Model	Volume [litres]	Weight [Kg]	D	H/L	H1/L1	H2/L2	H3/L3	H4/L4	H5/L5	H6/L6	H7/L7	IF	E
80	84	25	456	800	195	235	290	315	510	600	605	365	250
100	103	29	456	954	205	222	300	315	655	732	750	510	250
150	149	40	456	1330	205	335	300	315	1030	1005	1125	670	250
200	191	47	510	1350	215	320	310	325	1040	1035	1135	715	275
300	293	62	610	1400	240	345	335	350	1065	1060	1160	715	325

P.E.D. product designed and produced in conformity to the article 4.3 of directive 2014/68/UE - ErP Ecodesign directive 2009/125/CE

EXTRA-BOLLY® CALORIFIERS
BOLLYTERM® CALORIFIERS
STAINLESS STEEL CALORIFIERS
CALORIFIERS FOR HEAT PUMP
MULTIFUEL ENERGY CYLINDERS - PUFFER
HYDRONIC
INERTIAL TANKS
WATER PRESSURE TANKS
COMPRESSED AIR RECEIVERS
ACCESSORIES AND SPARE PARTS
TECHNICAL SUPPORT

BOLLY® MURALE - HEAT EXCHANGERS TECHNICAL DATA

Data have been calculated on following basis:

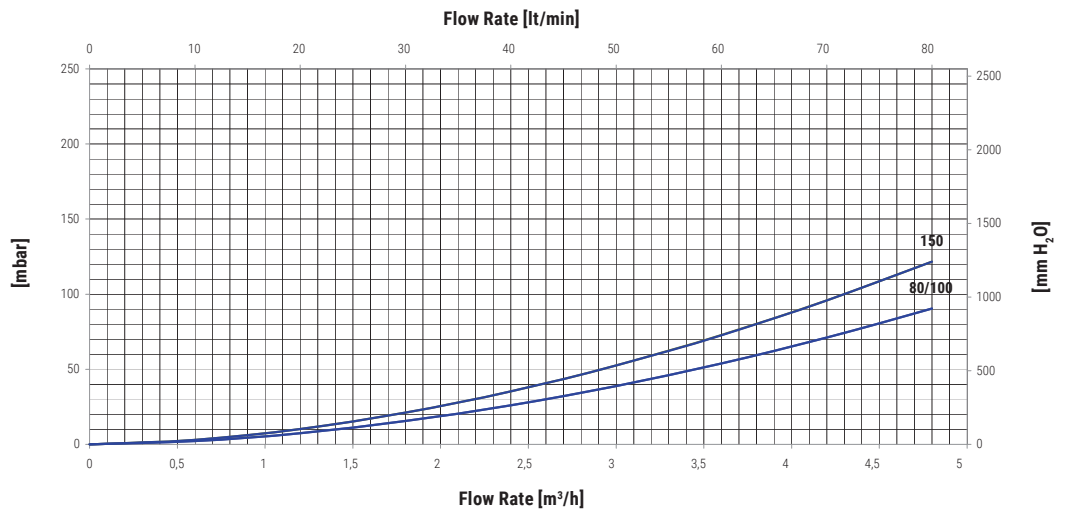
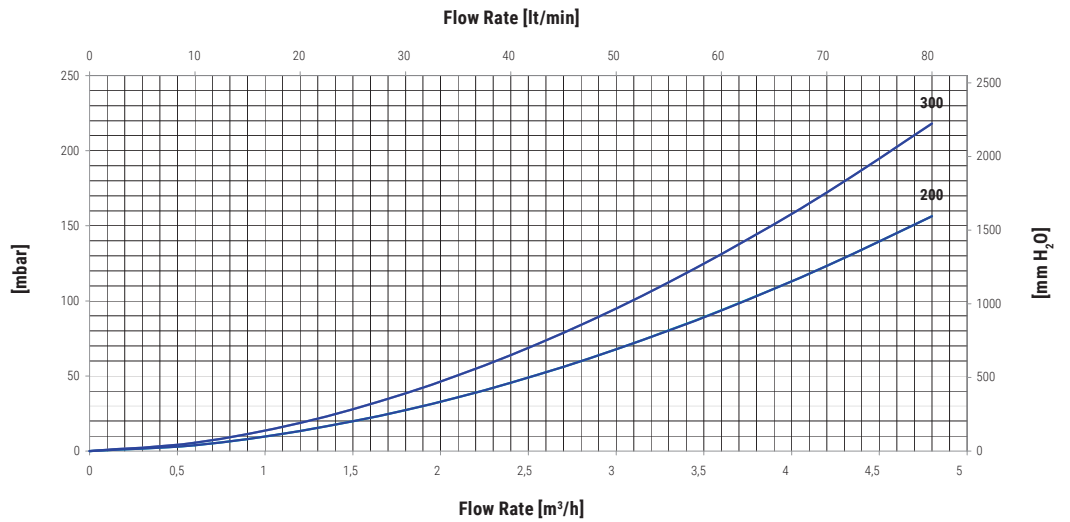
- 1) Primary circuit at T1 and proper energy source;
- 2) Production of DHW in continue way from 10 °C at t2;
- 3) DHW that can be taken in the first 10' and in the first hour from storage at 60°C, input 10°C and output 45°C;
- 4) Sanitary water according to UNI CTI 8065.

FIXED HEAT EXCHANGER



Model	Ignition time (minutes) from 10 °C to t2 and primary at T1				Maximum power exchange (kW) with primary at T1, secondary within 10-45 °C and constant use of DHW production				DHW continuous production lt/h within 10-45 °C and primary at T1			
	T1/t2				T1				T1			
	55/50	65/60	70/60	80/60	55	65	70	80	55	65	70	80
80	80	85	55	35	4,9	7,3	8,6	11,2	114	175	207	270
	90	96	61	39	4,5	6,7	7,9	10,2	105	160	188	245
100	99	105	68	43	4,9	7,3	8,6	11,2	114	175	207	270
	111	119	76	48	4,5	6,7	7,9	10,2	105	160	188	245
150	105	111	74	47	6,5	9,7	11,3	14,7	154	234	275	358
	119	126	84	54	6	8,8	10,3	13,2	141	218	248	322
200	91	95	65	42	9,2	13,8	16,2	21	223	337	395	513
	102	108	73	48	8,6	12,7	14,7	19	206	308	359	464
300	98	102	70	46	13,1	19,6	22,9	29,6	318	479	561	727
	110	115	80	52	12,2	17,9	20,8	26,7	296	438	510	656

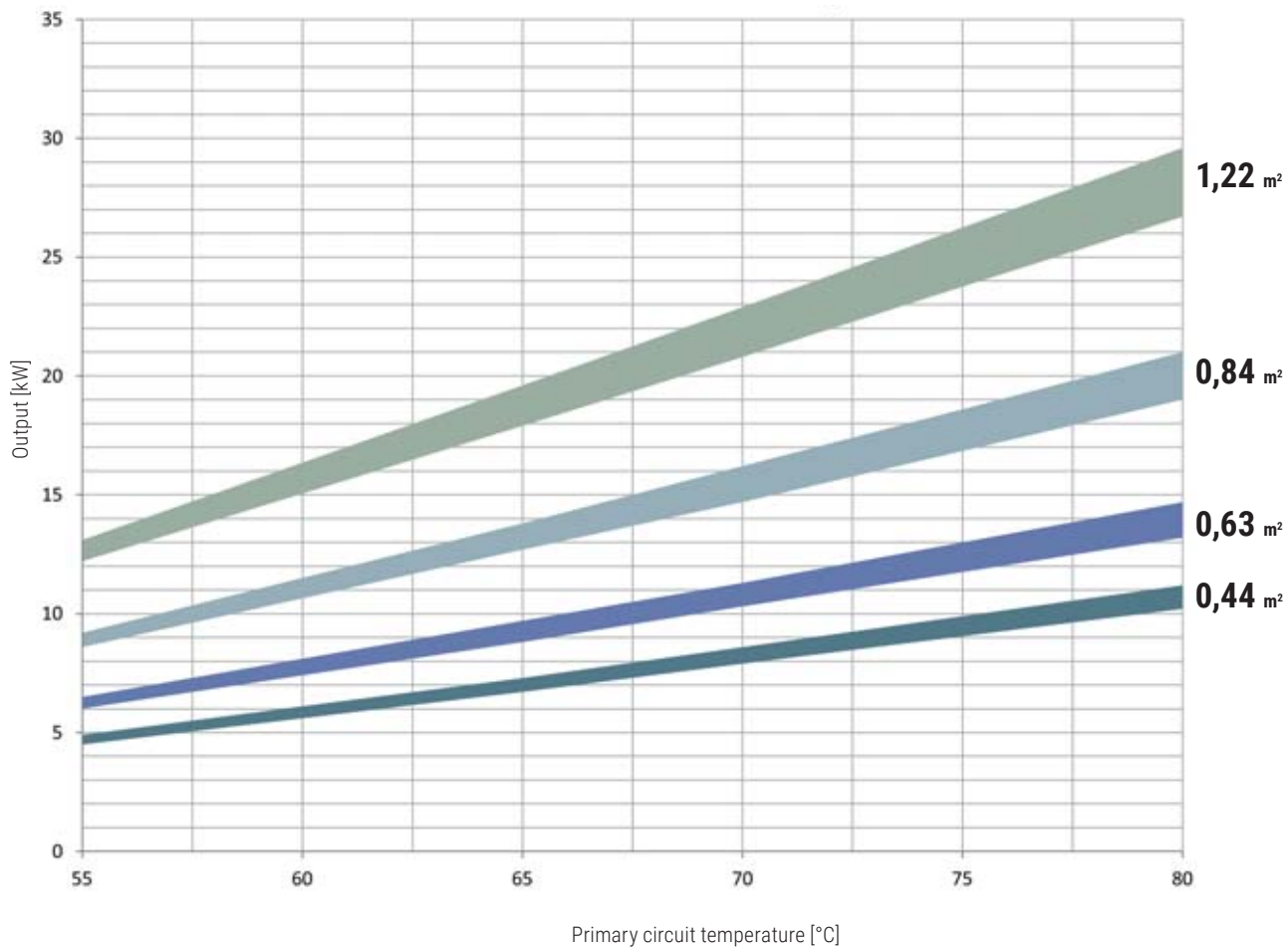
PRESSURE LOSS - FIXED HEAT EXCHANGERS BOLLY® MURALE



DHW produced in the first 10 minutes in lt/10' input 10 °C output 45 °C, storage at t2 and primary at T1				DHW produced in the first hour in lt/60' input 10 °C output 45 °C, storage at t2 and primary at T1				Flow rate [m³/h]	Exchanger pressure loss	
T1/t2				T1/t2					[mm.H ₂ O]	[mbar]
55/50	65/60	70/60	80/60	55/50	65/60	70/60	80/60			
110	143	149	159	183	254	280	330	2	175	17
109	141	146	155	175	242	265	310	1	51	5
133	172	177	188	205	283	308	359	2	175	17
132	170	174	184	198	271	293	339	1	51	5
191	246	253	267	289	394	427	494	2	229	22
189	243	248	261	279	382	406	465	1	67	7
249	320	330	350	390	534	580	675	2,5	472	46
246	316	324	342	376	511	551	635	1,25	139	14
379	487	501	528	580	790	856	989	3	908	89
375	480	492	516	563	758	815	932	1,5	268	26

HEAT EXCHANGERS OUTPUT CHART BOLLY® MURALE

HEAT EXCHANGER OUTPUT REFERRED TO TEMPERATURE AND FLOW RATE OF PRIMARY CIRCUIT AND WITH SECONDARY AT 10/45°C AT MAXIMUM WITHDRAWAL OF PRODUCIBLE DHW (UPPER LIMIT OF THE CURVES REFERRED TO MAXIMUM PRIMARY FLOW RATE IN THE HEAT EXCHANGER, WHILE THE LOWER LIMIT IN THE CURVE REFERS TO THE MINIMUM PRIMARY FLOW RATE)



Heat exchanger surface	0,44 m²		0,63 m²		0,84 m²		1,22 m²	
	MAX	MIN	MAX	MIN	MAX	MIN	MAX	MIN
Flow rate [m³/h]	2	1	2	1	2,5	1,25	3	1,5



APPLICATION

Production and storage of domestic hot water.

MATERIAL

Mild steel Polywarm® coated (Attestation ACS - SSICA - DVGW - W270 - UBA - WRAS).

HEAT EXCHANGER

Double walled heat exchanger.

INSULATION

High thermal insulation with ecological polyurethane hard foam.

Grey PVC external lining

CATHODE PROTECTION

Magnesium anode.

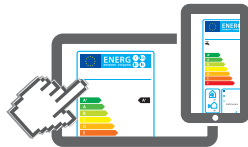
WARRANTY

5 years - See general sales conditions and warranty

ACCESSORIES AND SPARE PARTS : See Accessories section for the entire list.



HARD FOAM INSULATION



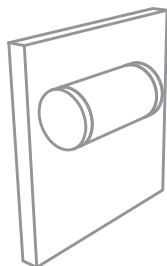
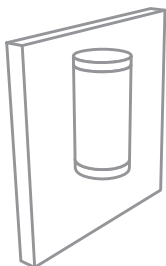
www.cordivari.com/erp

On line ErP label tool

INTERKA WB

HEAT EXCHANGER SURFACE ENERGY EFFICIENCY CLASS

Model	HARD FOAM insulation Art. Nr.	[m ²]	ErP
80	3203160310001	0,36	C
100	3203160310002	0,54	C
150	3203160310003	0,82	C
200	3203160310004	1,00	C
300	3203160310015	1,40	C



Vertical or horizontal wall hanged

Model	Output [kW]	Ignition time [min]	Production of D.H.W.		Weight [Kg]
			[lt/h]	[lt/10']	
80	8	27	190	112	24
100	11	24	263	144	30
150	15	26	372	212	41
200	20	25	508	285	49
300	24	31	606	401	65

Data have been calculated on following basis:

- primary water at 80°C
- DHW production from 10°C to 45°C.

Even if tanks are tested to resist from max temp. 60 °C to 90 °C the local legislation has always to be observed during the use.

Accessories on request

Electric immersion with thermostat

Art. Nr.	Output	Con-nection	
5240000000042	1,5 kW	1" 1/4	

Thermometer

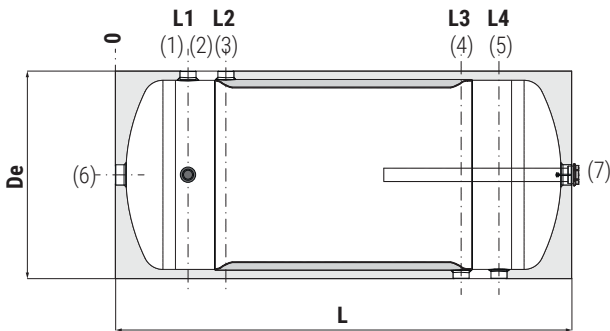
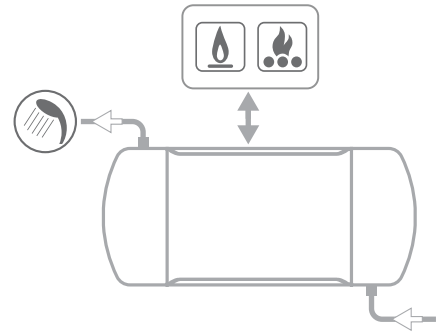
Art. Nr.	
5032240000107	
5 units box	

Magnesium anode

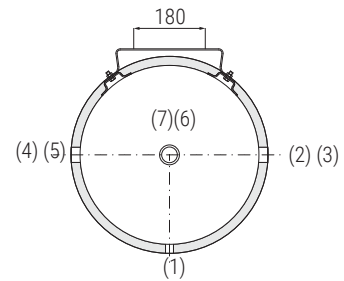
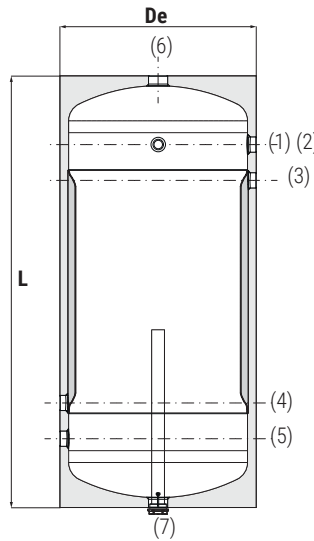
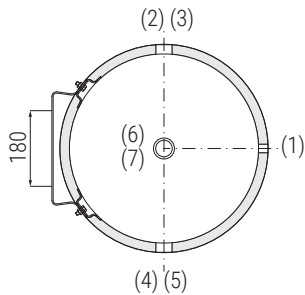
ART. NR.	Model	
5200000041015	80+150	
5200000041010	200+300	
2 units box		

STORAGE		HEAT EXCHANGER	
Pmax	Tmax	Pmax	Tmax
6 bar	90 °C	1,5 bar	99 °C

CORDIVARI Lab
 TÜV Rheinland Energie und Umwelt GmbH states that test procedures and Cordivari LAB are certified conforming to European standard EN 15332, as indicated by Ecodesign ErP Directive.



- 1 Instrumentation 1/2" Gas F
- 2 Domestic hot water outlet
- 3 Entry heating water from the buffer
- 4 Heating water back to the buffer
- 5 Domestic cold water circuit inlet
- 6 Recirculation/electrical immersion resistance 1 1/4 Gas F
- 7 Connection for magnesium anode 1 1/4 Gas F



POSSIBLE VERTICAL INSTALLATION

NOTE:
 THIS INSTALLATION MAY REDUCE THE D.H.W. STORAGE VOLUME.

Model	Volume [lt]	De	L	L1	L2	L3	L4	2-3-4-5 Connections Gas F
80	82	456	770	165	260	510	605	1"
100	100	456	920	165	260	660	755	1"
150	152	510	1086	173	268	818	913	1"
200	203	560	1170	190	285	885	980	1"
300	293	610	1399	230	325	1075	1170	1"

P.E.D. product designed and produced in conformity to the article 4.3 of directive 2014/68/UE - ErP Ecodesign directive 2009/125/CE

EXTRA-BOLLY® CALORIFIERS
 BOLLYTERM® CALORIFIERS
 STAINLESS STEEL CALORIFIERS
 CALORIFIERS FOR HEAT PUMP
 MULTIFUEL ENERGY CYLINDERS - PUFFER
 HYDRONIC
 INERTIAL TANKS
 WATER PRESSURE TANKS
 COMPRESSED AIR RECEIVERS
 ACCESSORIES AND SPARE PARTS
 TECHNICAL SUPPORT

INTERKA SOLARE EVO

POLYWARM® COATED DOUBLE WALLED TANK IN TANK CALORIFIERS FOR D.H.W. PRODUCTION
SUITABLE FOR SOLAR THERMAL SYSTEMS



APPLICATION

Production and storage of domestic hot water.

MATERIAL

Mild steel Polywarm® coated (Attestation ACS - SSICA - DVGW - W270 - UBA - WRAS).

HEAT EXCHANGER

Double walled heat exchanger.

INSULATION

High thermal insulation with ecological polyurethane hard foam.

Pre-painted sheet external lining and ABS cupels.

CATHODE PROTECTION

Magnesium anode.

WARRANTY

5 years - See general sales conditions and warranty

ACCESSORIES AND SPARE PARTS : See Accessories section for the entire list.



HARD FOAM INSULATION

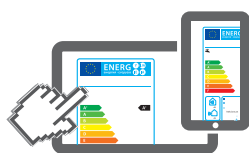


INTERKA SOLARE EVO WB

DOUBLE WALLED HEAT EXCHANGER

ENERGY EFFICIENCY CLASS

Model	HARD FOAM insulation Art. Nr.	DOUBLE WALLED HEAT EXCHANGER		ErP
		Surface [m²]	Volume [lt]	
150	3068160980112	0,80	8,0	B
200	3068160980113	1,20	12,0	B
300	3068160980124	2,05	21,0	C

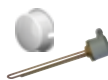


www.cordivari.com/erp

On line ErP label tool

Accessories on request

Electrical immersion with cover

Art. Nr.	Output	Con- nection	
5240000000062	1,5 kW	1" 1/4	

See Cordivari integrated thermal solar systems catalogue

Thermometer

Art. Nr.
5032240000107
5 units box



Magnesium anode

ART. NR.	Model
5200000041008	150
5200000041009	200,300
2 units box	



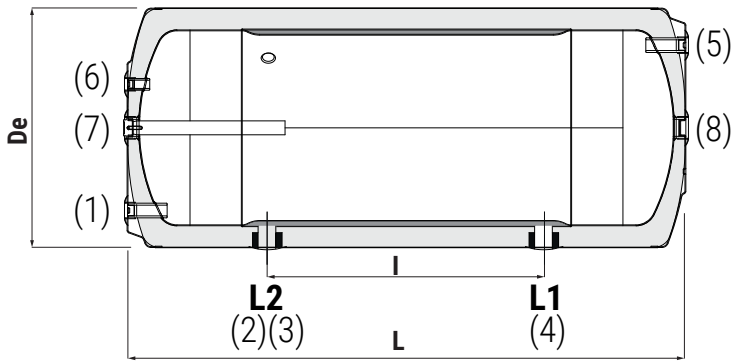
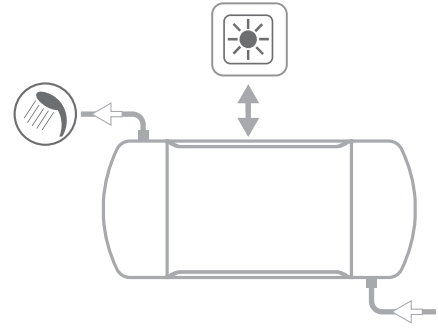
P.E.D. product designed and produced in conformity to the article 4.3 of directive 2014/68/UE - ErP Ecodesign directive 2009/125/CE

INTERKA SOLARE EVO

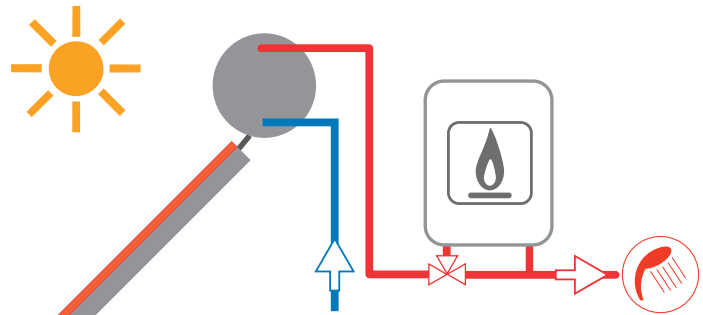
POLYWARM® COATED DOUBLE WALLED TANK IN TANK CALORIFIERS FOR D.H.W. PRODUCTION
SUITABLE FOR SOLAR THERMAL SYSTEMS

STORAGE		HEAT EXCHANGER	
Pmax	Tmax	Pmax	Tmax
6 bar	90 °C	2,5 bar	99 °C

CORDIVARI Lab
TÜV Rheinland Energie und Umwelt GmbH states that test procedures and Cordivari LAB are certified conforming to European standard EN 15332, as indicated by Ecodesign ErP Directive.



- 1 Sanitary water inlet 3/4" Gas F
- 2 Solar collector connection 3/4" Gas F
- 3 Purge volume 1/2" Gas F
- 4 Connection al pannelo solare 3/4" Gas F
- 5 Domestic hot water outlet 3/4" Gas F
- 6 Instrumentation 1/2" GAS F
- 7 Magnesium anode
- 8 Electrical immersion 1" 1/4 Gas F (optional)



In Solar Thermal Systems the use of a combined TP valve (Temperature and Pressure) is recommended.

Model	Volume [lt]	De	L	l [mm]	L1	L2
150	143	550	1040	430	298	728
200	183	550	1300	640	323	963
300	270	550	1839	890	475	1365

P.E.D. product designed and produced in conformity to the article 4.3 of directive 2014/68/UE - ErP Ecodesign directive 2009/125/CE

EXTRA-BOLLY® CALORIFIERS
BOLLYTERM® CALORIFIERS
STAINLESS STEEL CALORIFIERS
CALORIFIERS FOR HEAT PUMP
MULTIFUEL ENERGY CYLINDERS - PUFFER
HYDRONIC
INERTIAL TANKS
WATER PRESSURE TANKS
COMPRESSED AIR RECEIVERS
ACCESSORIES AND SPARE PARTS
TECHNICAL SUPPORT



BOLLYTERM® CALORIFIERS

EXTRA-BOLLY®
CALORIFIERS

BOLLYTERM®
CALORIFIERS

STAINLESS STEEL
CALORIFIERS

CALORIFIERS FOR
HEAT PUMP

MULTIFUEL ENERGY
CYLINDERS - PUFFER

HYDRONIC

INERTIAL
TANKS

WATER PRESSURE
TANKS

COMPRESSED AIR
RECEIVERS

ACCESSORIES
AND SPARE PARTS

TECHNICAL
SUPPORT

BOLLYTERM® RANGE



Bollyterm® HP



Bollyterm® HP 1

Heat exchanger model	Thermodinamic system with heat pump	- Thermodinamic system with heat pump - Spiral fixed heat exchanger
Number of heat exchangers		
Energy source		
Energy efficiency class	A+	A+
Insulation	Polyurethane hard foam	Polyurethane hard foam
Available range	200 - 300	200 - 300
Installation	floor standing	floor standing
Suggested Application	Traditional installations	Traditional, solar and condensation installations



EXTRA-BOLLY®
CALORIFIERS

BOLLYTERM®
CALORIFIERS

STAINLESS STEEL
CALORIFIERS

CALORIFIERS FOR
HEAT PUMP

MULTIFUEL ENERGY
CYLINDERS - PUFFER

HYDRONIC

INERTIAL
TANKS

WATER PRESSURE
TANKS

COMPRESSED AIR
RECEIVERS

ACCESSORIES
AND SPARE PARTS

TECHNICAL
SUPPORT



Bollyterm® HP 2

- Thermodynamic system with heat pump
- Spiral fixed heat exchanger



A+

Polyurethane hard foam

300

floor standing

Traditional, solar and condensation installations

BOLLYTERM® HP

POLYWARM® COATED CALORIFIERS WITH INTEGRATED HEAT PUMP



APPLICATION

Production and storage of domestic hot water.

MATERIAL

Mild steel Polywarm® coated (Attestation ACS - SSICA - DVGW - W270 - UBA - WRAS)

HEAT PUMP

The water inside the tank is warmed up by an integrated insulated compressor heat pump equipped with external condensing coil. A 1500 Watt electric resistance with "BOOST" option is already installed. Electronic gear case with graphic display allows controlling and planning.

INSULATION

High thermal insulation with ecological polyurethane hard foam. PVC external lining complete with ABS top and flange cover.

CATHODE PROTECTION

Magnesium anode.

DRAIN

External confluence through drain connection.

GASKET- FLANGE PLATE

Silicone gaskets suitable for alimentary use; Mild steel Polywarm® coated flange plate with electrical immersion resistance.

WARRANTY

5 years (tank)

See general sales conditions and warranty for electrical parts.

ACCESSORIES AND SPARE PARTS

See Accessories section for the entire list.



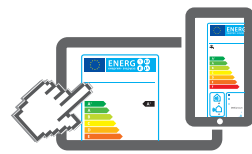
Percorso
Efficienza Innovazione
MCE - EXPOCOMFORT



BOLLYTERM® HP

ENERGY
EFFICIENCY
CLASS

Model	HARD FOAM insulation		
	Art. Nr.		
200	3180162330102		A+
300	3180162330103		A+



www.cordivari.com/erp

On line ErP label tool

Model	Net volume heated from heat pump [litres]	Room temperature output [°C]	C.O.P.	ErP Energy efficiency class (Reg EU 812/2013)	Ignition time (Air temperature 20 °C - Water temperature from 15 °C to 55 °C) [min]	Electrical integration power [W]	Maximum absorption	
							Heat pump	Total
200	176	-5/+43	2,98(*)	A+	236'	1500	805	2305
300	264		2,91(*)	A+			353'	

(*) Data obtained under the following conditions (T air 20 °C - T water from 15 °C to 55 °C)

INTEGRATED HEAT PUMP

The Bollyterm HP produces DHW thanks to the heat energy naturally present in the air, allowing considerable energy savings.

The functioning of heat pump is based on the exploitation of a particular ecological gas (R134a) that, through its compression and expansion, ensures high performance and cost efficiency.

The energy (heat) is transferred from the air to the water through a condenser coil wrapped outside the tank, avoiding any possible contact between the fluid and the sanitary water, ensuring therefore maximum hygiene and safety.

The output is indicated by the coefficient of performance C.O.P. indicating the relation between used and obtained energy.



HEAT PUMP TECHNICAL DATA

Power supply	Max water temperature	Coolant	Coolant Pressure	Max ducts length/ Max static P	Minimum pipes diameter	Acoustic level
[V / Ph / Hz]	[°C]		[g]	[m / Pa]	[mm]	[dB]
220-240 / 1 / 50	60	R134a	800	8 / 60	180	59 (*)

(*) Test compliant with European standard EN 12102:2013 - EN ISO 3741:2010

Accessories on request

Thermometer

Art. Nr.	
5032240000107	
5 units box	

Titanium electronic anode

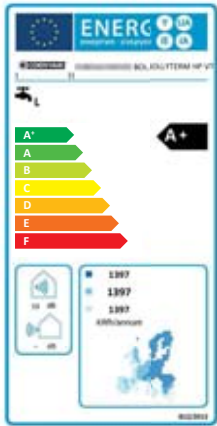
Art. Nr.	Model	
5200000000008	200, 300	

BOLLYTERM® HP

POLYWARM® COATED CALORIFIERS WITH INTEGRATED HEAT PUMP

STORAGE

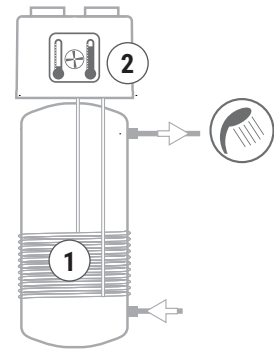
Pmax	Tmax
10 bar	90 °C



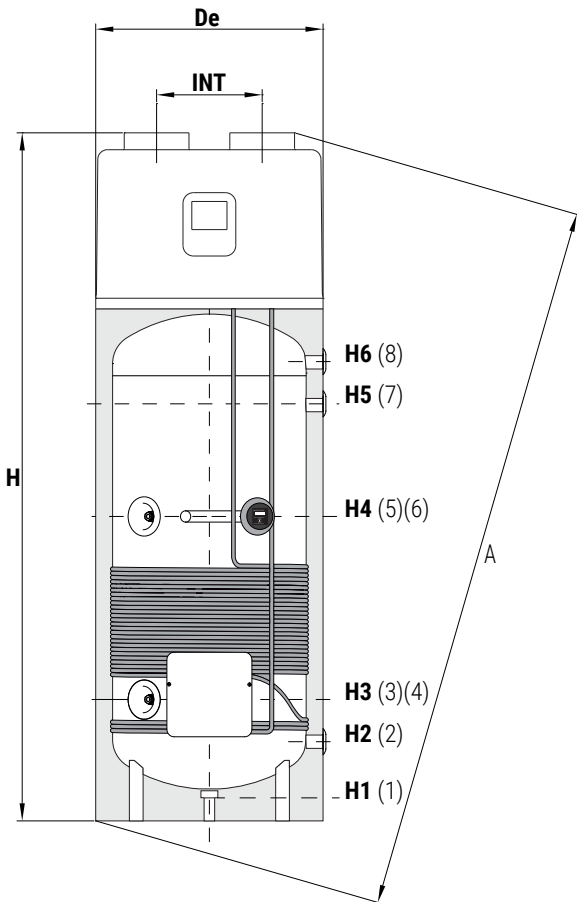
CORDIVARI® Lab
TÜV Rheinland Energie und Umwelt GmbH states that test procedures and Cordivari LAB are certified conforming to European standard EN 15332, as indicated by Ecodesign ErP Directive.

IMQ CLIMA
CENTRO DI INNOVAZIONE TECNOLOGICA AGENTI

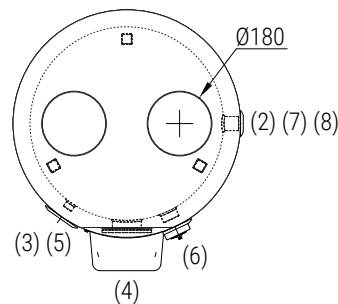
POLITECNICO DI MILANO
Dipartimento di Energia
RELAB- Renewable Heating and Cooling LAB



- 1 External to the storage condenser coil avoiding any contact coolant - D.H.W.
- 2 Electronic Central Unit (included):
 - set point hot water
 - self check
 - anti-legionellosis treatment
 - operating programs
 - "BOOST" mode



- | | |
|---|---|
| 1 | Drain 1" 1/4 GAS F |
| 2 | Domestic cold water circuit inlet 1" GAS F |
| 3 | Connection for instrumentation 1/2" GAS F |
| 4 | Flange for inspection Ø 75 / Electrical immersion |
| 5 | Connection for instrumentation 1/2" GAS F |
| 6 | Anode 1" 1/4 GAS F |
| 7 | Recirculation 1" GAS F |
| 8 | Domestic cold water circuit outlet 1" GAS F |



Model	Volume [litres]	De	INT	H	A	[mm]					
						H1	H2	H3	H4	H5	H6
200	205	640	340	1585	1684	71	240	350	800	815	925
300	293	640	340	1960	2040	71	240	350	860	1190	1300

P.E.D. product designed and produced in conformity to the article 4.3 of directive 2014/68/UE - ErP Ecodesign directive 2009/125/CE

EXTRA-BOLLY® CALORIFIERS

BOLLYTERM® CALORIFIERS

STAINLESS STEEL CALORIFIERS

CALORIFIERS FOR HEAT PUMP

MULTIFUEL ENERGY CYLINDERS - PUFFER

HYDRONIC

INERTIAL TANKS

WATER PRESSURE TANKS

COMPRESSED AIR RECEIVERS

ACCESSORIES AND SPARE PARTS

TECHNICAL SUPPORT

BOLLYTERM® HP 1

POLYWARM® COATED CALORIFIERS WITH INTEGRATED HEAT PUMP AND 1 FIXED HEAT EXCHANGER



APPLICATION

Production and storage of domestic hot water.

MATERIAL

Mild steel Polywarm® coated (Attestation ACS - SSICA - DVGW - W270 - UBA - WRAS)

HEAT PUMP

The water inside the tank is warmed up by an integrated insulated compressor heat pump equipped with external condensing coil. A 1500 Watt electric resistance with "BOOST" option is already installed. Electronic gear case with graphic display allows controlling and planning.

HEAT EXCHANGER

1 Polywarm® coated fixed heat exchanger

INSULATION

High thermal insulation with ecological polyurethane hard foam. PVC external lining complete with ABS top and flange cover.

CATHODE PROTECTION

Magnesium anode.

DRAIN

External confluence through drain connection.

GASKET- FLANGE PLATE

Silicone gaskets suitable for alimentary use; Mild steel Polywarm® coated flange plate with electrical immersion resistance .

WARRANTY

5 years (tank)

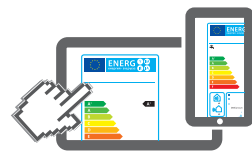
See general sales conditions and warranty for electrical parts.

ACCESSORIES AND SPARE PARTS

See Accessories section for the entire list.



Percorso
Efficienza Innovazione
MCE - EXPOCOMFORT



www.cordivari.com/erp

On line ErP label tool

BOLLYTERM® HP 1

HEAT EXCHANGER SURFACE ENERGY EFFICIENCY CLASS



Model	HARD FOAM insulation	[m ²]	ErP
	Art. Nr.		
200	3181162330102	0,8	A+
300	3181162330103	1,2	A+

Model	Net volume heated from heat pump [litres]	Room temperature output [°C]	C.O.P.	ErP Energy efficiency class (Reg EU 812/2013)	Ignition time (Air temperature 20 °C - Water temperature from 15 °C to 55 °C) [min]	Electrical integration power [W]	Maximum absorption	
							Heat pump	Total
200	176	-5/+43	2,98(*)	A+	236'	1500	805	2305
300	264		2,91(*)	A+			353'	

(*) Data obtained under the following conditions (T air 20 °C - T water from 15 °C to 55 °C)

INTEGRATED HEAT PUMP

The Bollyterm HP produces DHW thanks to the heat energy naturally present in the air, allowing considerable energy savings.

The functioning of heat pump is based on the exploitation of a particular ecological gas (R134a) that, through its compression and expansion, ensures high performance and cost efficiency.

The energy (heat) is transferred from the air to the water through a condenser coil wrapped outside the tank, avoiding any possible contact between the fluid and the sanitary water, ensuring therefore maximum hygiene and safety.

The output is indicated by the coefficient of performance C.O.P. indicating the relation between used and obtained energy.



HEAT PUMP TECHNICAL DATA

Power supply	Max water temperature	Coolant	Coolant Pressure	Max ducts length/ Max static P	Minimum pipes diameter	Acoustic level
[V / Ph / Hz]	[°C]		[g]	[m / Pa]	[mm]	[dB]
220-240 / 1 / 50	60	R134a	800	8 / 60	180	59 (*)

(*) Test compliant with European standard EN 12102:2013 - EN ISO 3741:2010

Accessories on request

Thermometer

Art. Nr.	
5032240000107	
5 units box	

Titanium electronic anode

Art. Nr.	Model	
5200000000008	200, 300	

BOLLYTERM® HP 1

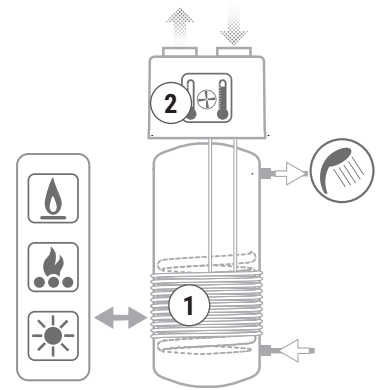
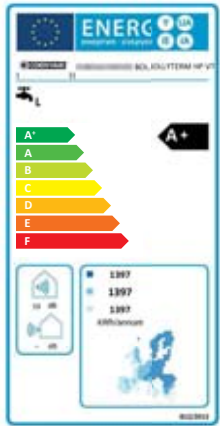
POLYWARM® COATED CALORIFIERS WITH INTEGRATED HEAT PUMP AND 1 FIXED HEAT EXCHANGER

STORAGE		HEAT EXCHANGER	
Pmax	Tmax	Pmax	Tmax
10 bar	90 °C	12 bar	110 °C

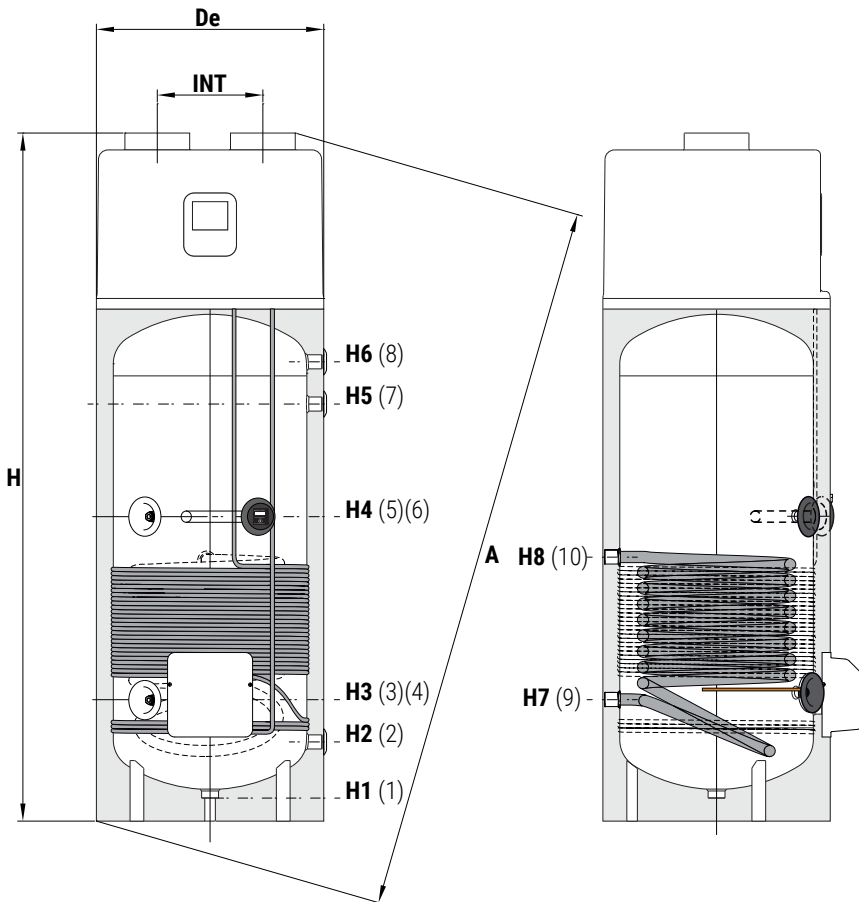
CORDIVARI® Lab
TÜV Rheinland Energie und Umwelt GmbH states that test procedures and Cordivari LAB are certified conforming to European standard EN 15332, as indicated by Ecodesign ErP Directive.

IMQ CLIMA
CENTRO DI INNOVAZIONE TECNOLOGICA AGENTI

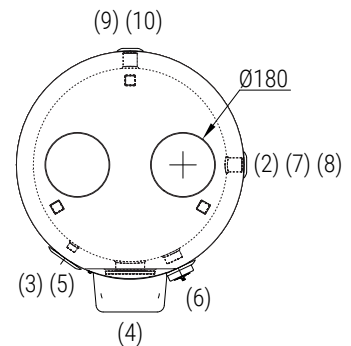
POLITECNICO DI MILANO
Dipartimento di Energia
RELAB- Renewable Heating and Cooling LAB



- External to the storage condensor coil avoiding any contact coolant - D.H.W.
- Electronic Central Unit (included):
 - set point hot water
 - self check
 - anti-legionellosis treatment
 - operating programs
 - "BOOST" mode



- Drain 1" 1/4 GAS F
- Domestic cold water circuit inlet 1" GAS F
- Connection for instrumentation 1/2" GAS F
- Flange for inspection Ø 75 / Electrical immersion
- Connection for instrumentation 1/2" GAS F
- Anode 1"1/4 GAS F
- Recirculation 1" GAS F
- Domestic cold water circuit outlet 1" GAS F
- Heat exchanger outlet 1"1/4 Gas F
- Heat exchanger inlet "1/4 Gas F



Model	Volume [lt]	De	INT	H	A	[mm]							
						H1	H2	H3	H4	H5	H6	H7	H8
200	205	640	340	1585	1684	71	240	350	800	815	925	345	765
300	293	640	340	1960	2040	71	240	350	860	1190	1300	351	755

P.E.D. product designed and produced in conformity to the article 4.3 of directive 2014/68/UE - ErP Ecodesign directive 2009/125/CE

EXTRA-BOLLY® CALORIFIERS
BOLLYTERM® CALORIFIERS
STAINLESS STEEL CALORIFIERS
CALORIFIERS FOR HEAT PUMP
MULTIFUEL ENERGY CYLINDERS - PUFFER
HYDRONIC
INERTIAL TANKS
WATER PRESSURE TANKS
COMPRESSED AIR RECEIVERS
ACCESSORIES AND SPARE PARTS
TECHNICAL SUPPORT

BOLLYTERM® HP 2

POLYWARM® COATED CALORIFIERS WITH INTEGRATED HEAT PUMP AND 2 FIXED HEAT EXCHANGERS



APPLICATION

Production and storage of domestic hot water.

MATERIAL

Mild steel Polywarm® coated (Attestation ACS - SSICA - DVGW - W270 - UBA - WRAS)

HEAT PUMP

The water inside the tank is warmed up by an integrated insulated compressor heat pump equipped with external condensing coil. A 1500 Watt electric resistance with "BOOST" option is already installed. Electronic gear case with graphic display allows controlling and planning.

HEAT EXCHANGER

2 Polywarm® coated fixed heat exchangers

INSULATION

High thermal insulation with ecological polyurethane hard foam. PVC external lining complete with ABS top and flange cover.

CATHODE PROTECTION

Magnesium anode.

DRAIN

External confluence through drain connection.

GASKET- FLANGE PLATE

Silicone gaskets suitable for alimentary use; Mild steel Polywarm® coated flange plate with electrical immersion resistance.

WARRANTY

5 years (tank)

See general sales conditions and warranty for electrical parts.

ACCESSORIES AND SPARE PARTS

See Accessories section for the entire list.



Percorso
Efficienza Innovazione
MCE - EXPOCOMFORT

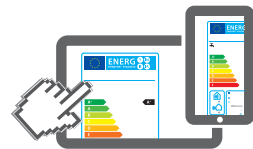
HARD FOAM INSULATION



BOLLYTERM® HP 2

HEAT EXCHANGER SURFACE ENERGY EFFICIENCY CLASS

Model	HARD FOAM insulation	HEAT EXCHANGER SURFACE		ENERGY EFFICIENCY CLASS
		Lower	Upper	
	Art. Nr.	[m ²]		
300	3180162330013	1,2	0,67	A+



www.cordivari.com/erp

On line ErP label tool

Model	Net volume heated from heat pump [litres]	Room temperature output [°C]	C.O.P.	ErP Energy efficiency class (Reg EU 812/2013)	Ignition time (Air temperature 20 °C - Water temperature from 15 °C to 55 °C) [min]	Electrical integration power [W]	Maximum absorption	
							Heat pump	Total
300	264	-5/+43	2,91(*)	A+	353'	1500	805	2305

(*) Data obtained under the following conditions (T air 20 °C - T water from 15 °C to 55 °C)

INTEGRATED HEAT PUMP

The Bollyterm HP produces DHW thanks to the heat energy naturally present in the air, allowing considerable energy savings.

The functioning of heat pump is based on the exploitation of a particular ecological gas (R134a) that, through its compression and expansion, ensures high performance and cost efficiency.

The energy (heat) is transferred from the air to the water through a condenser coil wrapped outside the tank, avoiding any possible contact between the fluid and the sanitary water, ensuring therefore maximum hygiene and safety.

The output is indicated by the coefficient of performance C.O.P. indicating the relation between used and obtained energy.

HEAT PUMP TECHNICAL DATA

Power supply	Max water temperature	Coolant	Coolant Pressure	Max ducts length/ Max static P	Minimum pipes diameter	Acoustic level
[V / Ph / Hz]	[°C]		[g]	[m / Pa]	[mm]	[dB]
220-240 / 1 / 50	60	R134a	800	8 / 60	180	59 (*)

(*) Test compliant with European standard EN 12102:2013 - EN ISO 3741:2010



Accessories on request

Thermometer

Art. Nr.	
5032240000107	
5 units box	

Titanium electronic anode

Art. Nr.	Model	
5200000000008	300	

BOLLYTERM® HP 2

POLYWARM® COATED CALORIFIERS WITH INTEGRATED HEAT PUMP
AND 2 FIXED HEAT EXCHANGERS

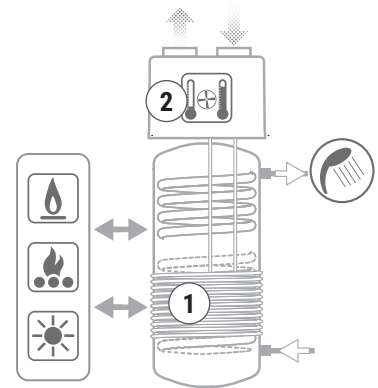
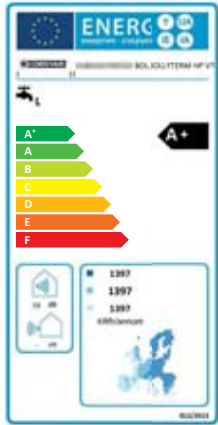
STORAGE		HEAT EXCHANGER	
Pmax	Tmax	Pmax	Tmax
10 bar	90 °C	12 bar	110 °C

CORDIVARI Lab
TÜV Rheinland Energie und Umwelt GmbH states that test procedures and Cordivari LAB are certified conforming to European standard EN 15332, as indicated by Ecodesign ErP Directive.

IMQ CLIMA
CENTRO DI INNOVAZIONE TECNOLOGICA AGENTINI

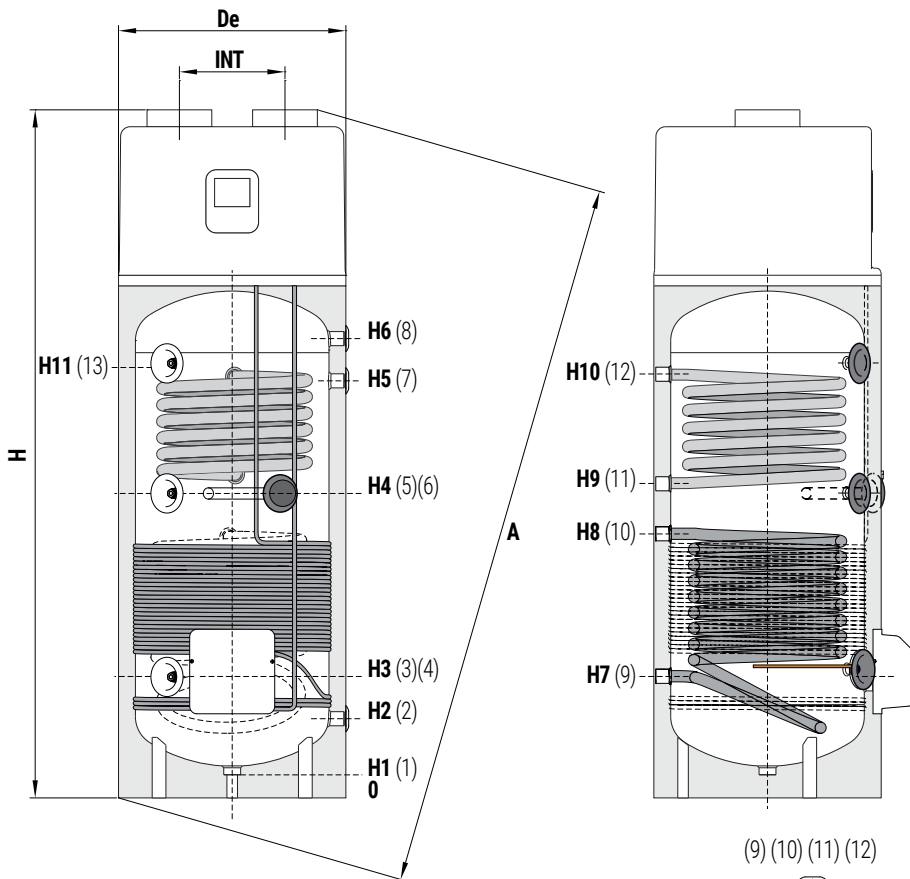
POLITECNICO DI MILANO
Dipartimento di Energia
RELAB- Renewable Heating and Cooling LAB

TESTED
CORDIVARI Lab
ErP - ECODSIGN
ASK ALWAYS FOR CERTIFIED LABORATORIES DATA RESULTS

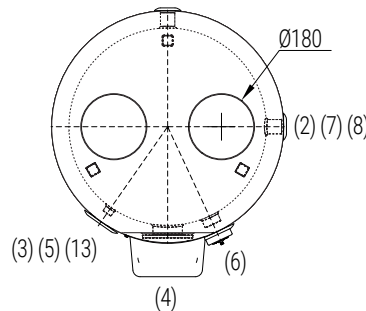


1 External to the storage condenser coil avoiding any contact coolant - D.H.W.

2 Electronic Central Unit (included):
- set point hot water
- self check
- anti-legionellosis treatment
- operating programs
- "BOOST" mode



- 1** Drain 1" 1/4 GAS F
- 2** Domestic cold water circuit inlet 1" GAS F
- 3** Connection for instrumentation 1/2" GAS F
- 4** Flange for inspection Ø 75 / Electrical immersion
- 5** Connection for instrumentation 1/2" GAS F
- 6** Anode 1" 1/4 GAS F
- 7** Recirculation 1" GAS F
- 8** Domestic cold water circuit outlet 1" GAS F
- 9** Lower heat exchanger outlet 1" 1/4 Gas F
- 10** Lower heat exchanger inlet 1" 1/4 Gas F
- 11** Upper heat exchanger outlet 1" 1/4 Gas F
- 12** Upper heat exchanger inlet 1" 1/4 Gas F
- 13** Connection for instrumentation 1/2" Gas F



Model	Volume [litres]	De	INT	H	A	H1	H2	H3	H4	H5	H6	H7	H8	H9	H10	H11
		[mm]														
300	293	640	340	1960	2040	71	240	350	860	1190	1300	351	755	900	1140	1210

P.E.D. product designed and produced in conformity to the article 4.3 of directive 2014/68/UE - ErP Ecodesign directive 2009/125/CE

EXTRA-BOLLY® CALORIFIERS

BOLLYTERM® CALORIFIERS

STAINLESS STEEL CALORIFIERS

CALORIFIERS FOR HEAT PUMP

MULTIFUEL ENERGY CYLINDERS - PUFFER

HYDRONIC

INERTIAL TANKS

WATER PRESSURE TANKS

COMPRESSED AIR RECEIVERS

ACCESSORIES AND SPARE PARTS

TECHNICAL SUPPORT





316L STAINLESS STEEL CALORIFIERS

EXTRA-BOLLY®
CALORIFIERS

BOLLYTERM®
CALORIFIERS

STAINLESS STEEL
CALORIFIERS

CALORIFIERS FOR
HEAT PUMP

MULTIFUEL ENERGY
CYLINDERS - PUFFER

HYDRONIC

INERTIAL
TANKS

WATER PRESSURE
TANKS

COMPRESSED AIR
RECEIVERS

ACCESSORIES
AND SPARE PARTS

TECHNICAL
SUPPORT

EXTRA 1 INOX

316 L STAINLESS STEEL CALORIFIERS WITH 1 EXTRACTABLE HEAT EXCHANGER



APPLICATION

Production and storage of domestic hot water.

MATERIAL

Stainless Steel 316 L suitable for domestic hot water according to D.M. n. 174 dated 06.04.04.

HEAT EXCHANGER

316L Stainless Steel Antilegionella® heat exchanger, with tubes bent to the bottom

INSULATION

- HARD: High thermal insulation with ecological polyurethane hard foam.
- SOFT: NOFIRE® polyester fleece 100% made of recyclable material, with high thermal insulation. Fire resistance class B-s2d0 according to EN 13501.

Grey PVC external lining complete with top and flange cover

CATHODE PROTECTION

Magnesium anode. - Models > 1500 n° 2 magnesium anodes.

DRAIN

External confluence through drain connection.

GASKET- FLANGE PLATE

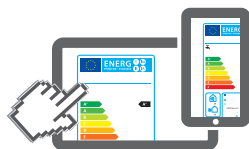
Silicone gaskets suitable for alimentary use; Mild steel exchanger head with anticorrosion treatment.

WARRANTY

5 years - See general sales conditions and warranty

ACCESSORIES AND SPARE PARTS

See Accessories section for the entire list.



www.cordivari.com/erp

On line ErP label tool

EXTRA 1 XXB

Model	HARD FOAM insulation	HEAT EXCHANGER SURFACE INOX 316L	ENERGY EFFICIENCY CLASS
		[m ²]	
200	3072052300422	0,5	C
300	3072052300423	0,75	C
500	3072052300424	1	C

EXTRA 1 XXC

Model	DISMOUNTABLE SOFT FLEECE insulation	HEAT EXCHANGER SURFACE INOX 316L	ENERGY EFFICIENCY CLASS
		[m ²]	
800	3072052300430	1,5	C
1000	3072052300431	2	C
1300	3072052300432	3	C
1500	3072052300433	3	C
2000	3072052300434	4	C
2500	3072052300410	5	
3000	3072052300412	6	
4000	3072052300414	8	
5000	3072052300416	10	

ELECTRICAL IMMERSION HEATERS

Mod.	Volume of water heated by the electrical immersion [lt]	MONOPHASE			THREEPHASE					
		1,5 kW	2 kW	3 kW	4 kW	5 kW	6 kW	9 kW	12 kW	
		5240000000051	5240000000052	5240000000053	5240000000047	5240000000048	5240000000049	5240000000050	5240000000031	
		Ignition time from 10 °C to 45 °C with immersion heaters [min]								
200	49	87	65	44	//	//	//	//	//	
300	76	136	102	68	//	//	//	//	//	
500	127	228	171	114	//	//	//	//	//	
800	178	318	239	159	//	//	//	//	//	
1000	243	436	327	218	163	131	109	73	54	
1500	288	516	387	258	194	155	129	86	65	
2000	443	793	595	396	297	238	198	132	99	
2500	577	1033	775	517	387	310	258	172	129	
3000	577	1033	775	517	387	310	258	172	129	
4000	797	1428	1071	714	535	428	357	238	178	
5000	1040	1864	1398	932	699	559	466	311	233	

— Accessories on request —

"Easy Control" Electronic Display

ART. NR.	FOR MODELS
5005000310002	XXC
5005000310003	XXB

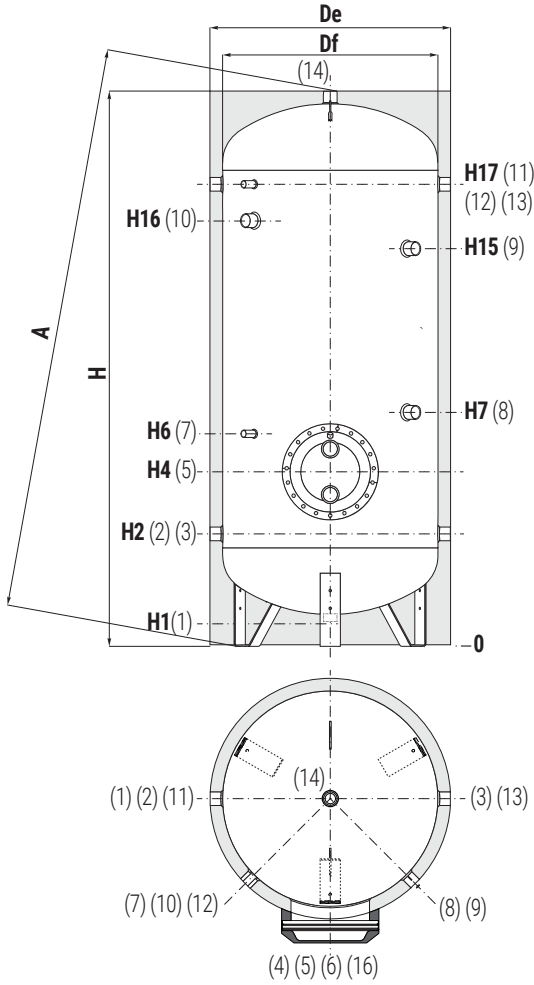
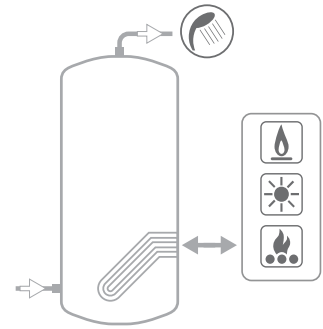


EXTRA 1 INOX

316 L STAINLESS STEEL CALORIFIERS WITH 1 EXTRACTABLE HEAT EXCHANGER

STORAGE		HEAT EXCHANGER	
Pmax	Tmax	Pmax	Tmax
6 bar	95 °C	12 bar	110 °C

CORDIVARI Lab
TÜV Rheinland Energie und Umwelt GmbH states that test procedures and Cordivari LAB are certified conforming to European standard EN 15332, as indicated by Ecodesign ErP Directive.



- 1** Drain 3/4" Gas F for models da 200 a 1000; 1" Gas F for models > 1000
- 2** Domestic cold water circuit inlet
- 3** Alternative domestic cold water circuit inlet or connection for more boilers
- 4** Primary circuit outlet
- 5** Heat exchanger flange
- 6** Primary circuit inlet
- 7** Connection for instrumentation 1/2" Gas F
- 8** Connection for magnesium anode 1 1/4 Gas F
- 9** Connection for 2nd anode 1 1/4 Gas F (only for models > 1500)
- 10** Connection for electrical immersion 1 1/2 Gas F For models > 800 connection 2" Gas F
- 11-13** Connection for recirculation or for domestic hot water
- 12** Connection for instrumentation 1/2" Gas F
- 14** Domestic hot water outlet
- 15** Drain 1" Gas F (only for models > 1000)
- 16** Heat exchanger air purge 3/8" Gas F

Model	Volume [lt]	Df (vers. XXC) De (vers. XXC)		De (vers. XXB)	H	A	H1	H2	H3	H4	H5	H6	H7
		[mm]	[mm]										
200	192	//	//	550	1451	1552	81	316	351	401	451	511	701
300	294	//	//	650	1569	1698	149	409	444	494	544	604	794
500	504	//	//	750	1861	2006	141	426	461	511	561	621	811
800	762	790	1010	//	1943	2008	113	428	473	563	653	713	863
1000	905	800	1020	//	2212	2270	112	437	482	572	662	722	922
1300	1277	950	1210	//	2193	2275	118	433	578	668	758	818	918
1500	1403	1000	1260	//	2177	2266	112	447	592	682	772	832	982
2000	2024	1250	1510	//	2099	2231	134	529	649	754	859	929	1004
2500	2320	1250	1350	//	2299	2396	134	529	649	754	859	929	954
3000	2925	1250	1350	//	2799	2879	134	529	709	814	919	989	1014
4000	3776	1400	1500	//	2872	2968	117	557	737	842	947	1017	1022
5000	4995	1600	1700	//	2909	3031	94	564	734	839	944	1014	1019

Model	Connections [mm]				Connections Gas F										
	H15	H16	H17	5	1	2-3 11-13	4-6	7-12	8	9	10	16	14		
200	//	1066	1176	Øe 300	3/4"	1 1/4"	1"	1/2"	1 1/4"	//	1 1/2"	3/8"	1 1/4"		
300	//	1159	1269	Øe 300	3/4"	1 1/4"	1"	1/2"	1 1/4"	//	1 1/2"	3/8"	1 1/4"		
500	//	1380	1536	Øe 300	3/4"	1 1/4"	1"	1/2"	1 1/4"	//	1 1/2"	3/8"	1 1/4"		
800	//	1382	1538	Øe 380	3/4"	1 1/4"	2"	1/2"	1 1/4"	//	1 1/2"	3/8"	1 1/2"		
1000	//	1642	1797	Øe 380	3/4"	1 1/2"	2"	1/2"	1 1/4"	//	2"	3/8"	1 1/2"		
1300	//	1638	1793	Øe 380	1"	1 1/2"	2"	1/2"	1 1/4"	//	2"	3/8"	2"		
1500	//	1602	1757	Øe 380	1"	1 1/2"	2"	1/2"	1 1/4"	1 1/4"	2"	3/8"	2"		
2000	1524	1473	1629	Øe 430	1"	2"	2"	1/2"	1 1/4"	1 1/4"	2"	3/8"	2"		
2500	1794	1710	1879	Øe 430	1"	2"	2"	1/2"	1 1/4"	1 1/4"	2"	3/8"	2"		
3000	2294	2210	2369	Øe 430	1"	2"	2"	1/2"	1 1/4"	1 1/4"	2"	3/8"	2"		
4000	2302	2225	2397	Øe 430	1"	2"	2"	1/2"	1 1/4"	1 1/4"	2"	3/8"	2"		
5000	2319	2159	2404	Øe 430	1"	2"	2"	1/2"	1 1/4"	1 1/4"	2"	3/8"	2"		

P.E.D. product designed and produced in conformity to the article 4.3 of directive 2014/68/UE - ErP Ecodesign directive 2009/125/CE

EXTRA-BOLLY® CALORIFIERS
BOLLYTERM® CALORIFIERS
STAINLESS STEEL CALORIFIERS
CALORIFIERS FOR HEAT PUMP
MULTIFUEL ENERGY CYLINDERS - PUFFER
HYDRONIC
INERTIAL TANKS
WATER PRESSURE TANKS
COMPRESSED AIR RECEIVERS
ACCESSORIES AND SPARE PARTS
TECHNICAL SUPPORT

EXTRA 1 INOX COMPACT

316 L STAINLESS STEEL CALORIFIERS WITH 1 EXTRACTABLE HEAT EXCHANGER



APPLICATION

Production and storage of domestic hot water. Suitable for low-ceilinged rooms.

MATERIAL

Stainless Steel 316 L suitable for domestic hot water according to D. M. n. 174 dated 06.04.04.

HEAT EXCHANGER

316L Stainless Steel Antilegionella® heat exchanger, with tubes bent to the bottom

INSULATION (DISMOUNTABLE)

NOFIRE® polyester fleece 100% made of recyclable material, with high thermal insulation. Fire resistance class B-s2d0 according to EN 13501. Grey PVC external lining.

CATHODE PROTECTION

2 magnesium anodes.

DRAIN

External confluence through drain connection.

GASKET- FLANGE PLATE

Silicone gaskets suitable for alimentary use; Mild steel exchanger head with anticorrosion treatment.

WARRANTY

5 years - See general sales conditions and warranty

ACCESSORIES AND SPARE PARTS

See Accessories section for the entire list.



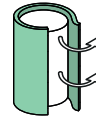
SOFT FLEECE INSULATION



EXTRA 1 COMPACT XXC

DISMOUNTABLE SOFT FLEECE insulation

HEAT EXCHANGER SURFACE INOX 316L



Model	Art. Nr.	[m ²]
2500	3072052300411	5
3000	3072052300413	6
4000	3072052300415	8

ELECTRICAL IMMERSION HEATERS

Mod.	Volume of water heated by the electrical immersion [lt]	MONOPHASE			THREEPHASE					
		1,5 kW	2 kW	3 kW	4 kW	5 kW	6 kW	9 kW	12 kW	
		5240000000051	5240000000052	5240000000053	5240000000047	5240000000048	5240000000049	5240000000050	5240000000031	
		Ignition time from 10 °C to 45 °C with immersion heaters [min]								
2500	797	1428	1071	714	535	428	357	238	178	
3000	874	1565	1173	782	587	469	391	261	196	
4000	924	1655	1241	828	621	497	414	276	207	

Accessories on request

"Easy Control" Electronic Display

ART. NR.
5005000310002



Thermometer

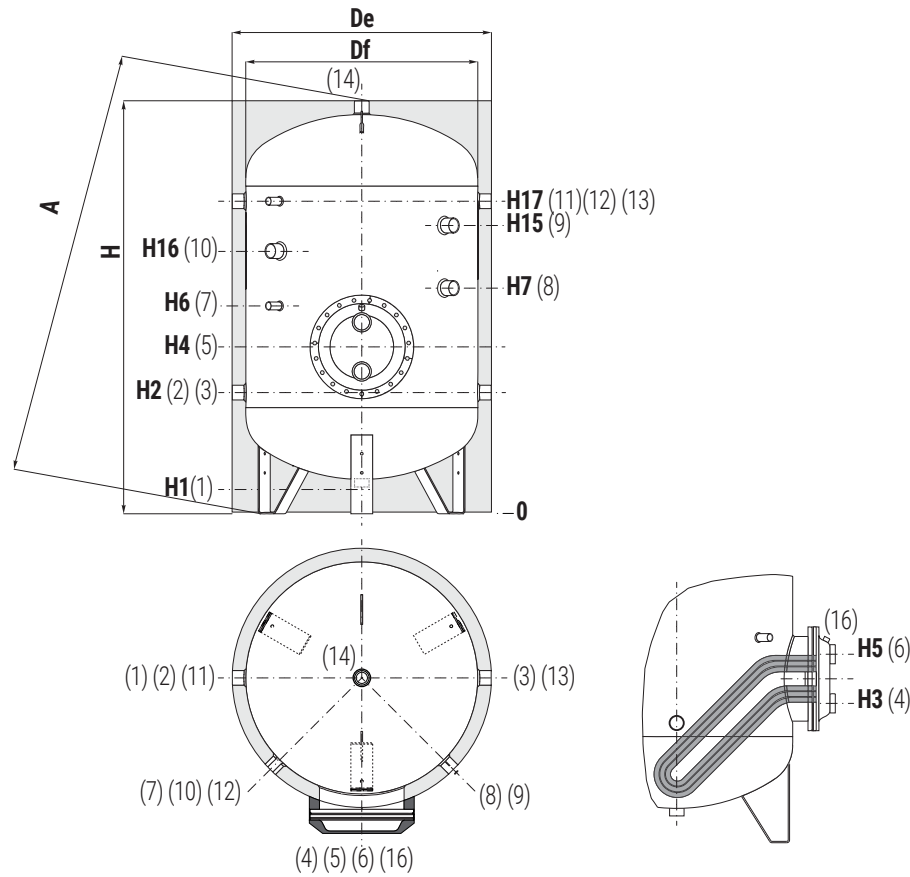
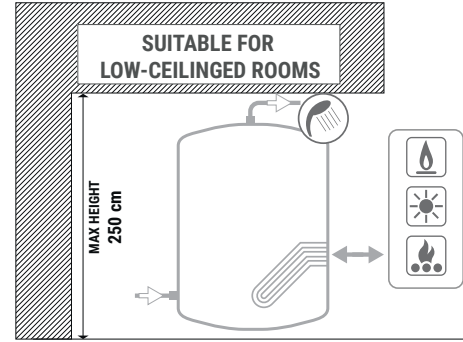
Art. Nr.
5032240000107
5 units box



EXTRA 1 INOX COMPACT

316 L STAINLESS STEEL CALORIFIERS WITH 1 EXTRACTABLE HEAT EXCHANGER

STORAGE		HEAT EXCHANGER	
Pmax	Tmax	Pmax	Tmax
6 bar	95 °C	12 bar	110 °C



- 1 Drain 1" Gas F
- 2 Domestic cold water circuit inlet
- 3 Alternative domestic cold water circuit inlet or connection for more boilers
- 4 Primary circuit outlet
- 5 Heat exchanger flange
- 6 Primary circuit inlet
- 7 Connection for instrumentation 1/2" Gas F
- 8 Connection for magnesium anode 1 1/4" Gas F
- 9 Connection for 2nd anode 1 1/4" Gas F
- 10 Connection for electrical immersion 2" Gas F
- 11-13 Connection for recirculation or for domestic hot water
- 12 Connection for instrumentation 1/2" Gas F
- 14 Domestic hot water outlet
- 15 Drain 1" Gas F
- 16 Heat exchanger air purge 3/8" Gas F

Model	Volume [litres]	Df	De	H	A	[mm]						
						H1	H2	H3	H4	H5	H6	H7
2500	2635	1400	1500	2122	2251	117	557	677	782	887	957	982
3000	3038	1500	1600	2131	2276	106	556	736	841	946	1016	981
4000	4002	1600	1700	2409	2555	94	564	744	849	954	1024	1029

Model	[mm]				Connections Gas F																	
	H15	H16	H17	5	1	2	3	11	13	4	6	7	12	8	9	10	16	14				
2500	1552	1501	1657	Øe 430	1"	2"	2"	1/2"	1 1/4"	1 1/4"	2"	3/8"	2"	1"	2"	2"	1/2"	1 1/4"	1 1/4"	2"	3/8"	2"
3000	1551	1500	1656	Øe 430	1"	2"	2"	1/2"	1 1/4"	1 1/4"	2"	3/8"	2"	1"	2"	2"	1/2"	1 1/4"	1 1/4"	2"	3/8"	2"
4000	1809	1732	1904	Øe 430	1"	2"	2"	1/2"	1 1/4"	1 1/4"	2"	3/8"	2"	1"	2"	2"	1/2"	1 1/4"	1 1/4"	2"	3/8"	2"

P.E.D. product designed and produced in conformity to the article 4.3 of directive 2014/68/UE - ErP Ecodesign directive 2009/125/CE

EXTRA-BOLLY® CALORIFIERS
BOLLYTERM® CALORIFIERS
STAINLESS STEEL CALORIFIERS
CALORIFIERS FOR HEAT PUMP
MULTIFUEL ENERGY CYLINDERS - PUFFER
HYDRONIC
INERTIAL TANKS
WATER PRESSURE TANKS
COMPRESSED AIR RECEIVERS
ACCESSORIES AND SPARE PARTS
TECHNICAL SUPPORT

EXTRA 2 INOX

316 L STAINLESS STEEL CALORIFIERS WITH 2 EXTRACTABLE HEAT EXCHANGERS



APPLICATION

Production and storage of domestic hot water.

MATERIAL

Stainless Steel 316 L suitable for domestic hot water according to D.M. n. 174 dated 06.04.04.

HEAT EXCHANGER

2 Stainless steel 316L Antilegionella® heat exchangers (upper exchanger is straight and the other is bent to the bottom).

INSULATION

- HARD: High thermal insulation with ecological polyurethane hard foam.
- SOFT: NOFIRE® polyester fleece 100% made of recyclable material, with high thermal insulation. Fire resistance class B-s2d0 according to EN 13501.

Grey PVC external lining complete with top and flange cover

CATHODE PROTECTION

Magnesium anode. - Models > 1500 n° 2 magnesium anodes.

DRAIN

External confluence through drain connection.

GASKET- FLANGE PLATE

Silicone gaskets suitable for alimentary use; Mild steel exchanger head with anticorrosion treatment.

WARRANTY

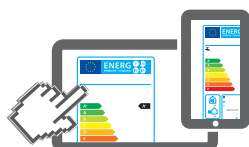
5 years - See general sales conditions and warranty

ACCESSORIES AND SPARE PARTS

See Accessories section for the entire list.



HARD FOAM INSULATION



www.cordivari.com/erp

On line ErP label tool

SOFT FLEECE INSULATION



EXTRA 2 XXB

Model	HARD FOAM insulation Art. Nr.	STAINLESS STEEL HEAT EXCHANGER SURFACE		ENERGY EFFICIENCY CLASS
		Lower	Upper	
200	3082052300222	0,5	0,5	C
300	3082052300223	0,75	0,75	C
500	3082052300224	1,5	1,5	C

EXTRA 2 XXC

Model	DISMOUNTABLE SOFT FLEECE insulation Art. Nr.	STAINLESS STEEL HEAT EXCHANGER SURFACE		ENERGY EFFICIENCY CLASS
		Lower	Upper	
800	3082052300230	2	2	C
1000	3082052300231	3	2	C
1300	3082052300232	3	3	C
1500	3082052300233	3	3	C
2000	3082052300234	4	4	C
2500	3082052300210	5	5	
3000	3082052300212	6	6	
4000	3082052300214	8	8	
5000	3082052300216	10	10	

ELECTRICAL IMMERSION HEATERS

Mod.	Volume of water heated by the electrical immersion [lt]	MONOPHASE			THREEPHASE					
		1,5 kW	2 kW	3 kW	4 kW	5 kW	6 kW	9 kW	12 kW	
		5240000000051	5240000000052	5240000000053	5240000000047	5240000000048	5240000000049	5240000000050	5240000000031	
		Ignition time from 10 °C to 45 °C with immersion heaters [min]								
200	49	87	65	44	//	//	//	//	//	
300	76	136	102	68	//	//	//	//	//	
500	127	228	171	114	//	//	//	//	//	
800	178	318	239	159	//	//	//	//	//	
1000	243	436	327	218	163	131	109	73	54	
1500	288	516	387	258	194	155	129	86	65	
2000	443	793	595	396	297	238	198	132	99	
2500	577	1033	775	517	387	310	258	172	129	
3000	577	1033	775	517	387	310	258	172	129	
4000	797	1428	1071	714	535	428	357	238	178	
5000	1040	1864	1398	932	699	559	466	311	233	

— Accessories on request —

"Easy Control" Electronic Display

ART. NR.	FOR MODELS
5005000310002	XXC
5005000310003	XXB

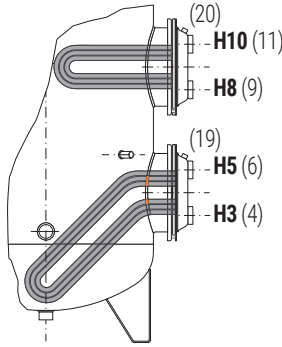
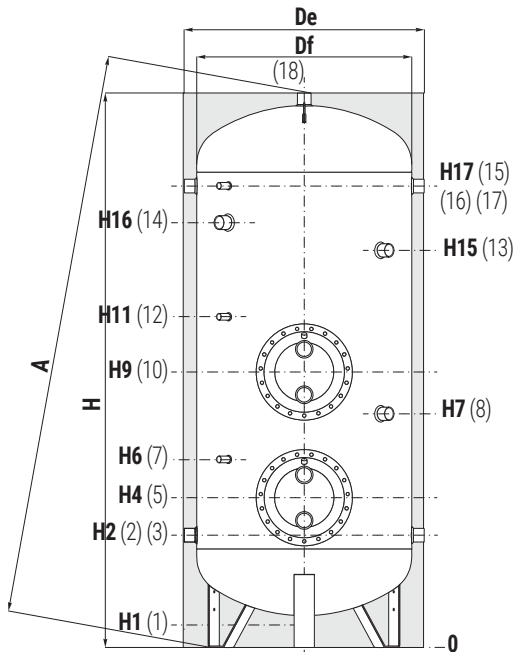
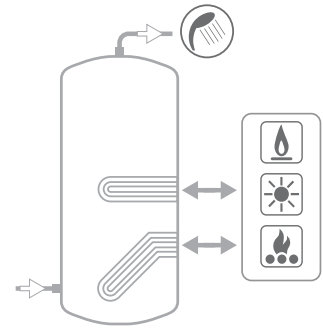


EXTRA 2 INOX

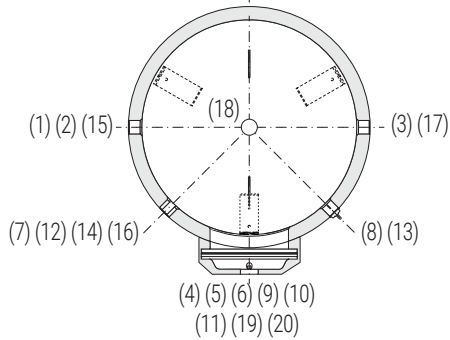
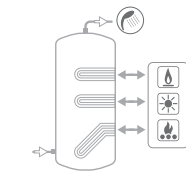
316 L STAINLESS STEEL CALORIFIERS WITH 2 EXTRACTABLE HEAT EXCHANGERS

STORAGE		HEAT EXCHANGER	
Pmax	Tmax	Pmax	Tmax
6 bar	95 °C	12 bar	110 °C

CORDIVARI Lab
TÜV Rheinland Energie und Umwelt GmbH states that test procedures and Cordivari LAB are certified conforming to European standard EN 15332, as indicated by Ecodesign ErP Directive.



Models with 3 extractable heat exchangers available upon request



- | | |
|--------------|--|
| 1 | Drain 3/4" Gas F for models da 200 a 1000; 1" Gas F for models > 1000 |
| 2 | Domestic cold water circuit inlet |
| 3 | Alternative domestic cold water circuit inlet or connection for more boilers |
| 4 | Lower heat exchanger outlet |
| 5 | Heat exchanger flange Lower |
| 6 | Lower heat exchanger inlet |
| 7-12 | Connection for instrumentation 1/2" Gas F |
| 8 | Connection for magnesium anode 1 1/4 Gas F |
| 9 | Upper heat exchanger outlet |
| 10 | Heat exchanger flange Upper |
| 11 | Upper heat exchanger inlet |
| 13 | Connection for 2 nd anode 1 1/4 Gas F (only for models > 1500) |
| 14 | Connection for electrical immersion 1 1/2 Gas F For models > 800 connection 2" Gas F |
| 15-17 | Connection for recirculation or for domestic hot water |
| 16 | Connection for instrumentation 1/2" Gas F |
| 18 | Domestic hot water outlet |
| 19-20 | Heat exchangers air purge 3/8" Gas F |

P.E.D. product designed and produced in conformity to the article 4.3 of directive 2014/68/UE - ErP Ecodesign directive 2009/125/CE

Model	Volume [lt]	Df (vers. XXC) (vers. XXC)		De (vers. XXB)	H	A	H1	H2	H3	H4	H5	H6	H7	H8	H9
		[mm]	[mm]												
200	195	//	//	550	1451	1552	81	316	351	401	451	511	701	801	851
300	297	//	//	650	1569	1698	149	409	444	494	544	604	794	894	944
500	507	//	//	750	1861	2006	141	426	461	511	561	621	811	911	961
800	768	790	1010	//	1943	2008	113	428	473	563	653	713	863	1003	1093
1000	910	800	1020	//	2212	2270	112	437	482	572	662	722	922	1032	1122
1300	1283	950	1210	//	2193	2275	118	433	578	668	758	818	918	1078	1168
1500	1409	1000	1260	//	2177	2266	112	447	592	682	772	832	982	1142	1232
2000	2032	1250	1510	//	2099	2231	134	529	649	754	859	929	1004	1229	1334
2500	2320	1250	1350	//	2299	2396	134	529	649	754	859	929	954	1249	1354
3000	2925	1250	1350	//	2799	2879	134	529	709	814	919	989	1014	1349	1454
4000	3776	1400	1500	//	2872	2968	117	557	737	842	947	1017	1022	1377	1482
5000	4995	1600	1700	//	2909	3031	94	564	734	839	944	1014	1019	1384	1489

Model	H10	H11	H15	H16	H17	5 10	Connections Gas F								
							1	2-3 15-17	4-6 9-11	7 12-16	8	13	14	19-20	18
200	901	961	//	1066	1176	Øe 300	3/4"	1 1/4"	1"	1/2"	1 1/4"	//	1 1/2"	3/8"	1 1/4"
300	994	1054	//	1159	1269	Øe 300	3/4"	1 1/4"	1"	1/2"	1 1/4"	//	1 1/2"	3/8"	1 1/4"
500	1011	1071	//	1380	1536	Øe 300	3/4"	1 1/4"	1"	1/2"	1 1/4"	//	1 1/2"	3/8"	1 1/4"
800	1183	1243	//	1382	1538	Øe 380	3/4"	1 1/4"	2"	1/2"	1 1/4"	//	1 1/2"	3/8"	1 1/2"
1000	1212	1272	//	1642	1797	Øe 380	3/4"	1 1/2"	2"	1/2"	1 1/4"	//	2"	3/8"	1 1/2"
1300	1258	1318	//	1638	1793	Øe 380	1"	1 1/2"	2"	1/2"	1 1/4"	//	2"	3/8"	2"
1500	1322	1382	//	1602	1757	Øe 380	1"	1 1/2"	2"	1/2"	1 1/4"	1 1/4"	2"	3/8"	2"
2000	1439	1404	1524	1473	1629	Øe 430	1"	2"	2"	1/2"	1 1/4"	1 1/4"	2"	3/8"	2"
2500	1459	1529	1794	1710	1879	Øe 430	1"	2"	2"	1/2"	1 1/4"	1 1/4"	2"	3/8"	2"
3000	1559	1629	2294	2210	2369	Øe 430	1"	2"	2"	1/2"	1 1/4"	1 1/4"	2"	3/8"	2"
4000	1587	1657	2302	2225	2397	Øe 430	1"	2"	2"	1/2"	1 1/4"	1 1/4"	2"	3/8"	2"
5000	1594	1664	2319	2159	2404	Øe 430	1"	2"	2"	1/2"	1 1/4"	1 1/4"	2"	3/8"	2"

EXTRA 2 INOX COMPACT

316 L STAINLESS STEEL CALORIFIERS WITH 2 EXTRACTABLE HEAT EXCHANGERS



APPLICATION

Production and storage of domestic hot water. Suitable for low-ceilinged rooms.

MATERIAL

Stainless Steel 316 L suitable for domestic hot water according to D.M. n. 174 dated 06.04.04.

HEAT EXCHANGER

2 Stainless steel 316l Antilegionella® heat exchangers (upper exchanger is straight and the other is bent to the bottom).

INSULATION (DISMOUNTABLE)

NOFIRE® polyester fleece 100% made of recyclable material, with high thermal insulation. Fire resistance class B-s2d0 according to EN 13501. Grey PVC external lining

CATHODE PROTECTION

2 magnesium anodes.

DRAIN

External confluence through drain connection.

GASKET- FLANGE PLATE

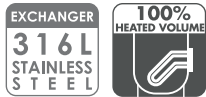
Silicone gaskets suitable for alimentary use; Mild steel exchanger head with anticorrosion treatment.

WARRANTY

5 years - See general sales conditions and warranty

ACCESSORIES AND SPARE PARTS

See Accessories section for the entire list.



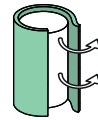
SOFT FLEECE INSULATION



EXTRA 2 COMPACT XXC

DISMOUNTABLE SOFT FLEECE insulation

STAINLESS STEEL HEAT EXCHANGER SURFACE



Model	Art. Nr.	Lower Upper	
		[m²]	
2500	3082052300211	5	5
3000	3082052300213	6	6
4000	3082052300215	8	8

Mod.	MONOPHASE			THREEPHASE				
	1,5 kW	2 kW	3 kW	4 kW	5 kW	6 kW	9 kW	12 kW
	Volume of water heated by the electrical immersion [lt]	52400000000051	52400000000052	52400000000053	52400000000047	52400000000048	52400000000049	52400000000050
Ignition time from 10 °C to 45 °C with immersion heaters [min]	Ignition time from 10 °C to 45 °C with immersion heaters [min]							
2500	797	1428	1071	535	428	357	238	178
3000	874	1565	1173	587	469	391	261	196
4000	924	1655	1241	621	497	414	276	207

— Accessories on request —

“Easy Control” Electronic Display

ART. NR.	FOR MODELS
5005000310002	XXC



Thermometer

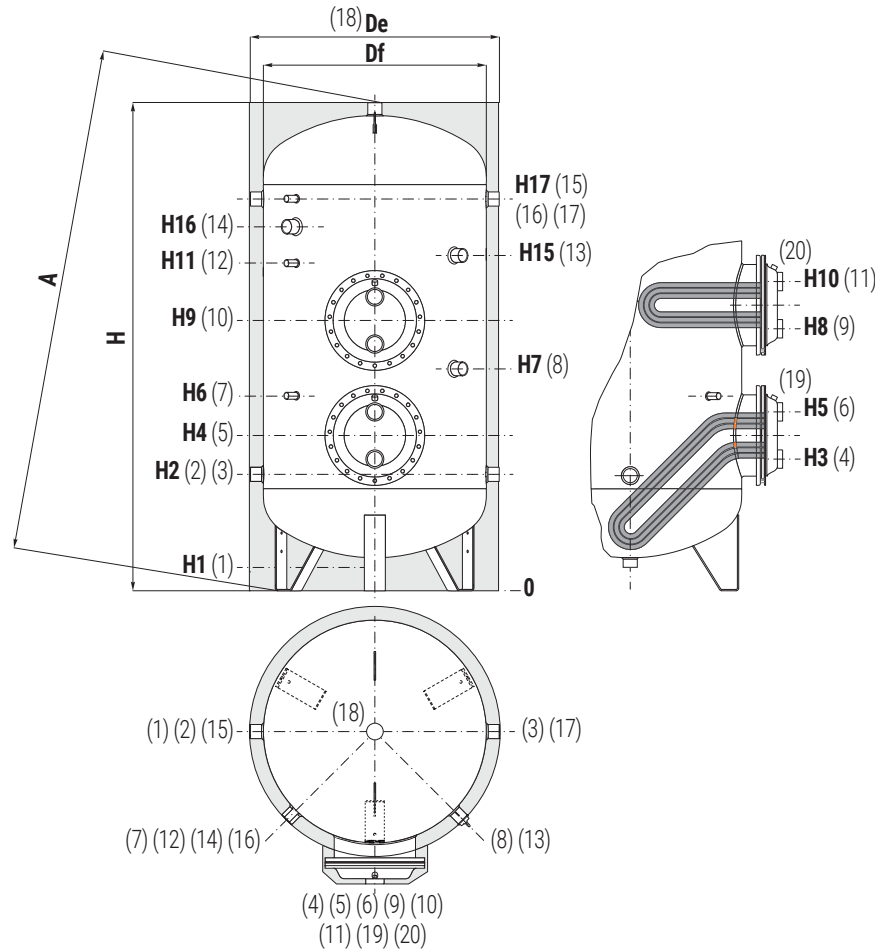
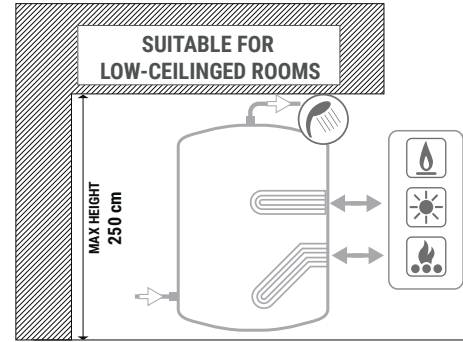
Art. Nr.
5032240000107
5 units box



EXTRA 2 INOX COMPACT

316 L STAINLESS STEEL CALORIFIERS WITH 2 EXTRACTABLE HEAT EXCHANGERS

STORAGE		HEAT EXCHANGER	
Pmax	Tmax	Pmax	Tmax
6 bar	95 °C	12 bar	110 °C



1	Drain 1" Gas F
2	Domestic cold water circuit inlet
3	Alternative domestic cold water circuit inlet or connection for more boilers
4	Lower heat exchanger outlet
5	Lower heat exchanger flange
6	Lower heat exchanger inlet
7-12	Connection for instrumentation 1/2" Gas F
8	Connection for magnesium anode 1" 1/4 Gas F
9	Upper heat exchanger outlet
10	Upper heat exchanger flange
11	Upper heat exchanger inlet
13	Connection for 2 nd anode 1" 1/4 Gas F
14	Connection for electrical immersion 2" Gas F
15-17	Connection for recirculation or for domestic hot water
16	Connection for instrumentation 1/2" Gas F
18	Domestic hot water outlet
19-20	Heat exchangers air purge 3/8" Gas F

Model	Volume [lt]	Df	De	H	A	H1	H2	H3	H4	H5	H6	H7	H8	H9
2500	2635	1400	1500	2122	2251	117	557	677	782	887	957	982	1257	1362
3000	3030	1500	1600	2131	2276	106	556	736	841	946	1016	981	1256	1361
4000	4002	1600	1700	2409	2555	94	564	744	849	954	1024	1029	1331	1436

Model	H10	H11	H15	H16	H17	5 10	Connections Gas F								
							1	2-3 15-17	4-6 9-11	7 12-16	8	13	14	19-20	18
2500	1537	1432	1552	1501	1657	∅e 430	1"	2"	2"	1/2"	1" 1/4	1" 1/4	2"	3/8"	2"
3000	1466	1431	1551	1500	1656	∅e 430	1"	2"	2"	1/2"	1" 1/4	1" 1/4	2"	3/8"	2"
4000	1716	1611	1809	1732	1904	∅e 430	1"	2"	2"	1/2"	1" 1/4	1" 1/4	2"	3/8"	2"

P.E.D. product designed and produced in conformity to the article 4.3 of directive 2014/68/UE - ErP Ecodesign directive 2009/125/CE

EXTRA-BOLLY®
CALORIFIERS

BOLLYTERM®
CALORIFIERS

STAINLESS STEEL
CALORIFIERS

CALORIFIERS FOR
HEAT PUMP

MULTIFUEL ENERGY
CYLINDERS - PUFFER

HYDRONIC

INERTIAL
TANKS

WATER PRESSURE
TANKS

COMPRESSED AIR
RECEIVERS

ACCESSORIES
AND SPARE PARTS

TECHNICAL
SUPPORT

EXTRA1 INOX VAPORE

316 L STAINLESS STEEL CALORIFIERS WITH 1 EXTRACTABLE HEAT EXCHANGER FOR STEAM GENERATOR



APPLICATION

Production and storage of sanitary hot water. Suitable for steam generators.

MATERIAL

Stainless Steel 316 L suitable for domestic hot water according to D.M. n. 174 dated 06.04.04.

HEAT EXCHANGER

1 stainless steel 316L straight heat exchanger suitable for steam power.

INSULATION

- HARD: High thermal insulation with ecological polyurethane hard foam.
- SOFT: NOFIRE® polyester fleece 100% made of recyclable material, with high thermal insulation. Fire resistance class B-s2d0 according to EN 13501.

Grey PVC external lining complete with top and flange cover

CATHODE PROTECTION

Magnesium anode. Models > 1500 n° 2 magnesium anode.

DRAIN

External confluence through drain connection.

GASKET- FLANGE PLATE

Asbestos-free fiber gaskets

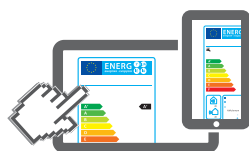
Mild steel exchanger head with anticorrosion treatment.

WARRANTY

5 years - See general sales conditions and warranty

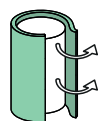
ACCESSORIES AND SPARE PARTS

See Accessories section for the entire list



www.cordivari.com/erp

On line ErP label tool



EXTRA 1 VAPORE XXB

Model	HEAT EXCHANGER SURFACE INOX 316L	ENERGY EFFICIENCY CLASS
	insulation [m ²]	
500	3069052300123	C

EXTRA 1 VAPORE XXC

Model	HEAT EXCHANGER SURFACE INOX 316L	ENERGY EFFICIENCY CLASS
	DISMOUNTABLE SOFT FLEECE insulation [m ²]	
800	3069052300134	C
1000	3069052300135	C
1300	3069052300136	C
1500	3069052300137	C
2000	3069052300138	C
2500	3069052300109	C
3000	3069052300111	C
4000	3069052300113	C
5000	3069052300115	C

STEAM HEAT EXCHANGERS TECHNICAL DATA

Connection for electrical immersion 1 1/2 Gas F for models > 800 Lower heat Exchangers performances calculated with primary circuit at 3 bar saturated steam and production of DHW from 10° to 45°C

Model	PED	connection 2" Gas F			at 3 bar saturated steam and production of DHW from 10° to 45°C				
		Output [kW]	DHW production [l/h]	Ignition time [min]	Output [kW]	DHW production [l/h]	Ignition time [min]		
500	Art. 4.3	141	3464	1189	9	114	2793	1077	11
800	Cat. I	212	5196	1869	9	171	4189	1701	12
1000	Cat. I	282	6928	2463	9	227	5585	2239	11
1500	Cat. I	423	10393	3554	9	341	8378	3218	11
2000	Cat. I	423	10393	4228	12	341	8378	3892	15
2500	Cat. I	423	10393	4571	13	341	8378	4235	17
3000	Cat. I	423	10393	5438	17	341	8378	5102	22
4000	Cat. I	564	13857	7031	17	455	11171	6583	21
5000	Cat. I	705	17321	9097	17	568	13963	8537	22

Accessories on request

"Easy Control" Electronic Display

ART. NR.	FOR MODELS
5005000310002	XXC
5005000310003	XXB



Thermometer

Art. Nr.
5032240000107
5 units box

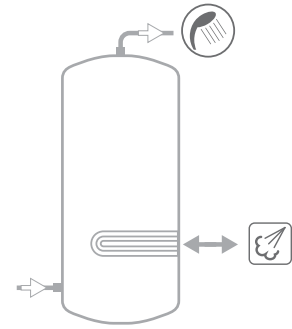
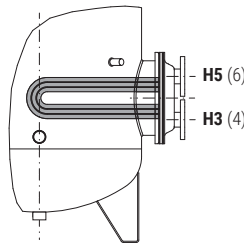
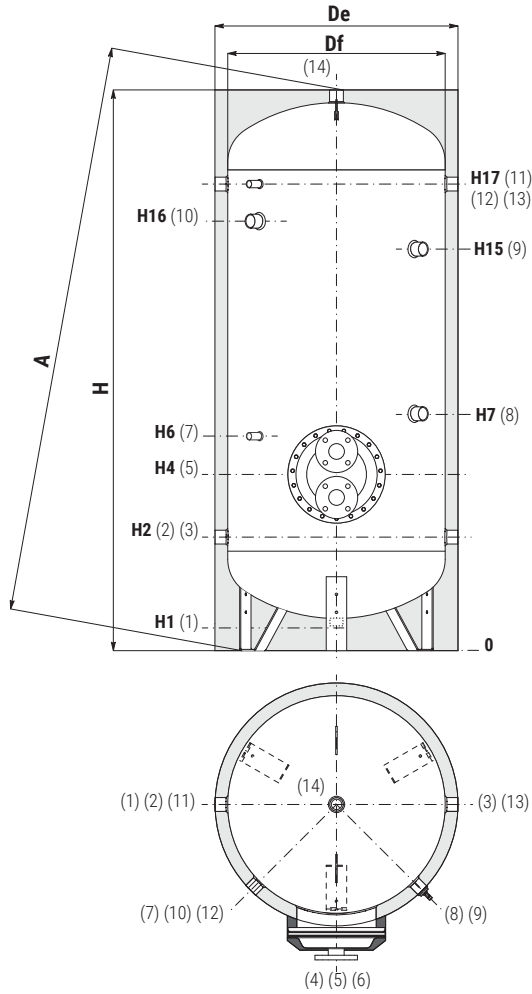


EXTRA1 INOX VAPORE

316 L STAINLESS STEEL CALORIFIERS WITH 1 EXTRACTABLE HEAT EXCHANGER
FOR STEAM GENERATOR

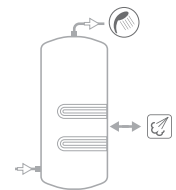
STORAGE		HEAT EXCHANGER	
Pmax	Tmax	Pmax	Tmax
6 bar	95 °C	6 bar	165 °C

CORDIVARI Lab
TÜV Rheinland Energie und Umwelt GmbH states that test procedures and Cordivari LAB are certified conforming to European standard EN 15332, as indicated by Ecodesign ErP Directive.



- 1 Drain
- 2 Domestic cold water circuit inlet
- 3 Alternative domestic cold water circuit inlet or connection for more boilers
- 4 Outlet for condense
- 5 Heat exchanger flange
- 6 Steam circuit inlet
- 7 Connection for instrumentation 1/2" Gas F
- 8 Connection for magnesium anode 1 1/4 Gas F
- 9 Connection for 2nd anode 1 1/4 Gas F (only for models > 1500)
- 10 Connection for electrical immersion 1" 1/2 Gas F For models > 800 connection 2" Gas F
- 11 Connection for recirculation or for domestic hot water
- 13 Connection for instrumentation 1/2" Gas F
- 14 Domestic hot water outlet

Models with 2 heat exchangers are available on request



P.E.D. product designed and produced in conformity to the article 4.3 of directive 2014/68/UE - ErP Ecodesign directive 2009/125/CE

Model	Volume [lit]	Df	De	De	H	A	H1	H2	H3	H4	H5	H6	H7
		(vers. XXC)	(vers. XXC)										
500	504	//	//	750	1861	1899	141	426	421	511	601	621	811
800	762	790	1010	//	1893	1945	113	428	473	563	653	713	863
1000	905	800	1020	//	2212	2270	112	437	482	572	662	722	922
1300	1277	950	1210	//	2193	2275	118	433	478	568	658	718	918
1500	1403	1000	1260	//	2177	2266	112	447	592	682	772	832	982
2000	2024	1250	1510	//	2099	2231	134	529	664	754	844	904	1004
2500	2320	1250	1350	//	2299	2396	134	529	664	754	844	904	954
3000	2925	1250	1350	//	2799	2880	134	529	664	754	844	904	1014
4000	3776	1400	1500	//	2872	2969	117	557	737	842	992	1017	1022
5000	4995	1600	1700	//	2909	3031	94	564	639	789	939	964	1019

Model	H15	H16	H17	5	1	2-3	4	6	7-12	8	9	10	14
	[mm]				11-13	Connections Gas F							
500	//	1380	1536	Øe 380	3/4"	1"1/4	DN50 PN16	1/2"	1"1/4	//	1"1/2	1"1/4	
800	//	1382	1538	Øe 380	3/4"	1"1/4	DN50 PN16	1/2"	1"1/4	//	1"1/2	1"1/2	
1000	//	1642	1797	Øe 380	3/4"	1"1/2	DN50 PN16	1/2"	1"1/4	//	2"	1"1/2	
1300	//	1638	1793	Øe 380	1"	1"1/2	DN50 PN16	1/2"	1"1/4	//	2"	2"	
1500	//	1602	1757	Øe 380	1"	1"1/2	DN50 PN16	1/2"	1"1/4	1"1/4	2"	2"	
2000	1524	1473	1629	Øe 380	1"	2"	DN50 PN16	1/2"	1"1/4	1"1/4	2"	2"	
2500	1794	1710	1879	Øe 380	1"	2"	DN50 PN16	1/2"	1"1/4	1"1/4	2"	2"	
3000	2294	2210	2369	Øe 380	1"	2"	DN50 PN16	1/2"	1"1/4	1"1/4	2"	2"	
4000	2302	2225	2397	Øe 430	1"	2"	DN50 PN16	1/2"	1"1/4	1"1/4	2"	2"	
5000	2319	2159	2404	Øe 430	1"	2"	DN50 PN16	1/2"	1"1/4	1"1/4	2"	2"	

VASO INERZIALE INOX

316 L STAINLESS STEEL DOMESTIC HOT WATER ACCUMULATION TANK



APPLICATION

Domestic hot water storage

MATERIAL

Stainless Steel 316 L suitable for domestic hot water according to D. M. n. 174 dated 06.04.04.

INSULATION

- HARD: High thermal insulation with ecological polyurethane hard foam.
- SOFT: NOFIRE® polyester fleece 100% made of recyclable material, with high thermal insulation. Fire resistance class B-s2d0 according to EN 13501.

Grey PVC external lining complete with top and flange cover

CATHODE PROTECTION

Magnesium anode. - Models > 1500 n° 2 magnesium anodes.

DRAIN

External confluence through drain connection.

GASKET- FLANGE PLATE

Silicone gaskets suitable for alimentary use; Stainless steel exchanger head.

WARRANTY

5 years - See general sales conditions and warranty

ACCESSORIES AND SPARE PARTS

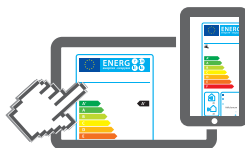
See Accessories section for the entire list.

EXCHANGER
316 L
STAINLESS
STEEL

HARD FOAM INSULATION



SOFT FLEECE INSULATION



www.cordivari.com/erp

On line ErP label tool

VASO INERZIALE XB

ENERGY
EFFICIENCY
CLASS

Model	HARD FOAM insulation	ENERGY EFFICIENCY CLASS
	Art. Nr.	
200	3060052140422	C
300	3060052140423	C
500	3060052140424	C

VASO INERZIALE XC

ENERGY
EFFICIENCY
CLASS

Model	DISMOUNTABLE SOFT FLEECE insulation	ENERGY EFFICIENCY CLASS
	Art. Nr.	
800	3060052140430	C
1000	3060052140431	C
1300	3060052140432	C
1500	3060052140433	C
2000	3060052140434	C
2500	3060052140410	
3000	3060052140412	
4000	3060052140414	
5000	3060052140416	

ELECTRICAL IMMERSION HEATERS

Mod.	Volume of water heated by the electrical immersion [lit]
200	49
300	76
500	127
800	178
1000	243
1500	288
2000	443
2500	577
3000	577
4000	797
5000	1040

MONOPHASE		
1,5 kW	2 kW	3 kW
5240000000051	5240000000052	5240000000053
Ignition time from 10 °C to 45 °C with immersion heaters [min]		
87	65	44
136	102	68
228	171	114
318	239	159
436	327	218
516	387	258
793	595	396
1033	775	517
1033	775	517
1428	1071	714
1864	1398	932

THREEPHASE				
4 kW	5 kW	6 kW	9 kW	12 kW
5240000000047	5240000000048	5240000000049	5240000000050	5240000000031
Ignition time from 10 °C to 45 °C with immersion heaters [min]				
//	//	//	//	//
//	//	//	//	//
//	//	//	//	//
//	//	//	//	//
163	131	109	73	54
194	155	129	86	65
297	238	198	132	99
387	310	258	172	129
387	310	258	172	129
535	428	357	238	178
699	559	466	311	233

— Accessories on request —

"Easy Control" Electronic Display

ART. NR.	FOR MODELS
5005000310002	XXC
5005000310003	XXB



VASO INERZIALE INOX

316 L STAINLESS STEEL DOMESTIC HOT WATER ACCUMULATION TANK

STORAGE

Pmax	Tmax
6 bar	95 °C

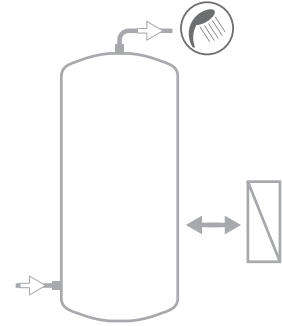
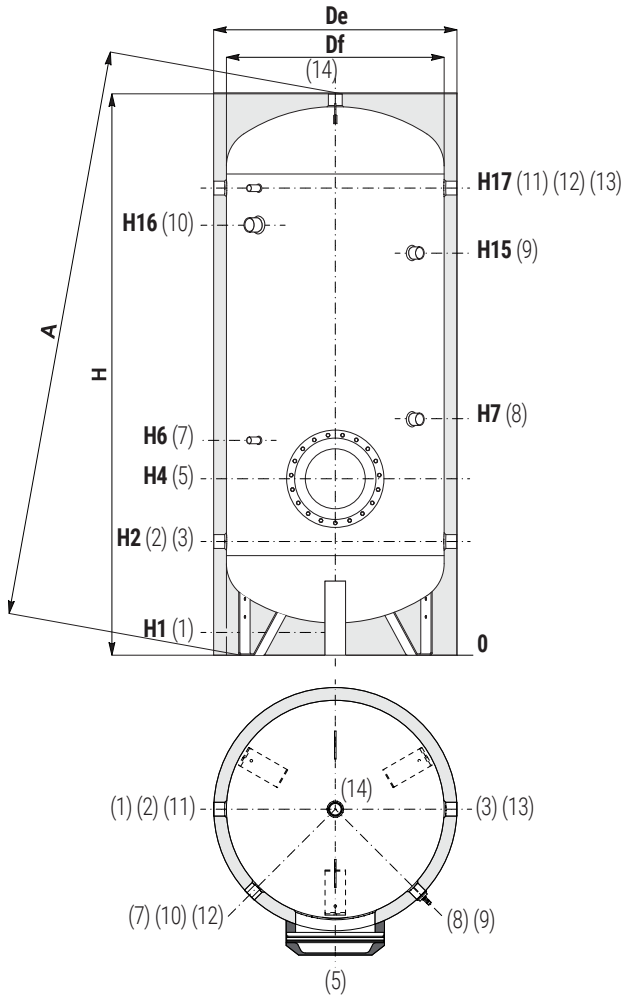


CORDIVARI Lab

TÜV Rheinland Energie und Umwelt GmbH states that test procedures and Cordivari LAB are certified conforming to European standard EN 15332, as indicated by Ecodesign ErP Directive.



ASK ALWAYS FOR CERTIFIED LABORATORIES DATA RESULTS



- 1 Drain 3/4" Gas F for models da 200 a 1000; 1" Gas F for models > 1000
- 2 Domestic cold water circuit inlet / Delivery to external heat exchanger
- 3 Alternative D.H.W. inlet / To the plate heat exchanger
- 5 Blind flange for inspection
- 7 Connection for instrumentation 1/2" Gas F
- 8 Connection for magnesium anode 1"1/4 Gas F
- 9 Connection for 2nd anode 1"1/4 Gas F (for models > 1500)
- 10 Connection for electrical immersion 1" 1/2 Gas F For models > 800 connection 2" Gas F
- 11 Recirculation / from plate heat exchanger
- 12 Connection for instrumentation 1/2" Gas F
- 13 Recirculation or DHW outlet
- 14 Domestic hot water outlet

P.E.D. product designed and produced in conformity to the article 4.3 of directive 2014/68/UE - ErP Ecodesign directive 2009/125/CE

Model	Volume [litres]	Df (vers. XC) [mm]	De (vers. XC) [mm]	De (vers. XB) [mm]	H [mm]	A [mm]	H1 [mm]	H2 [mm]	H4 [mm]	H6 [mm]	H7 [mm]
200	191	//	//	550	1451	1477	81	316	341	511	701
300	293	//	//	650	1569	1602	149	409	434	604	794
500	502	//	//	750	1861	1899	141	426	451	621	811
800	760	790	1010	//	1943	1993	113	428	483	623	863
1000	902	800	1020	//	2212	2297	112	437	492	632	922
1300	1274	950	1210	//	2193	2255	118	433	488	628	918
1500	1399	1000	1260	//	2127	2245	112	447	502	642	982
2000	2019	1250	1510	//	2049	2205	134	529	574	714	1004
2500	2320	1250	1350	//	2299	2617	134	529	574	714	954
3000	2925	1250	1350	//	2799	3065	134	529	574	714	1014
4000	3776	1400	1500	//	2872	3195	117	557	602	742	1022
5000	4995	1600	1700	//	2909	3320	94	564	609	749	1019

Model	H15	H16	H17	5	1	2-3 11-13	7-12	8	9	10	14
	[mm]				Connections Gas F						
200	//	1066	1176	Øe 180	3/4"	1"1/4	1/2"	1"1/4	//	1"1/2	1"1/4
300	//	1159	1269	Øe 180	3/4"	1"1/4	1/2"	1"1/4	//	1"1/2	1"1/4
500	//	1380	1536	Øe 180	3/4"	1"1/4	1/2"	1"1/4	//	1"1/2	1"1/4
800	//	1382	1538	Øe 240	3/4"	1"1/4	1/2"	1"1/4	//	1"1/2	1"1/2
1000	//	1642	1797	Øe 240	3/4"	1"1/2	1/2"	1"1/4	//	2"	1"1/2
1300	//	1638	1793	Øe 240	1"	1"1/2	1/2"	1"1/4	//	2"	2"
1500	//	1602	1757	Øe 240	1"	1"1/2	1/2"	1"1/4	1"1/4	2"	2"
2000	1524	1473	1629	Øe 240	1"	2"	1/2"	1"1/4	1"1/4	2"	2"
2500	1794	1710	1879	Øe 240	1"	2"	1/2"	1"1/4	1"1/4	2"	2"
3000	2294	2210	2369	Øe 240	1"	2"	1/2"	1"1/4	1"1/4	2"	2"
4000	2302	2225	2397	Øe 240	1"	2"	1/2"	1"1/4	1"1/4	2"	2"
5000	2319	2159	2404	Øe 240	1"	2"	1/2"	1"1/4	1"1/4	2"	2"

EXTRA-BOLLY® CALORIFIERS

BOLLYTERM® CALORIFIERS

STAINLESS STEEL CALORIFIERS

CALORIFIERS FOR HEAT PUMP

MULTIFUEL ENERGY CYLINDERS - PUFFER

HYDRONIC

INERTIAL TANKS

WATER PRESSURE TANKS

COMPRESSED AIR RECEIVERS

ACCESSORIES AND SPARE PARTS

TECHNICAL SUPPORT

VASO INERZIALE INOX COMPACT

316 L STAINLESS STEEL DOMESTIC HOT WATER ACCUMULATION TANK



APPLICATION

Domestic hot water storage. Suitable for low-ceilinged room.

MATERIAL

Stainless Steel 316 L suitable for domestic hot water according to D. M. n. 174 dated 06.04.04.

INSULATION (DISMOUNTABLE)

NOFIRE® polyester fleece 100% made of recyclable material, with high thermal insulation. Fire resistance class B-s2d0 according to EN 13501.

Grey PVC external lining complete with top and flange cover

CATHODE PROTECTION

2 magnesium anodes.

DRAIN

External confluence through drain connection.

GASKET- FLANGE PLATE

Silicone gaskets suitable for alimentary use; Stainless steel exchanger head.

WARRANTY

5 years - See general sales conditions and warranty

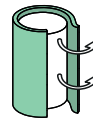
ACCESSORIES AND SPARE PARTS

See Accessories section for the entire list.



VASO INERZIALE COMPACT XC

DISMOUNTABLE SOFT FLEECE



Model	insulation
Art. Nr.	
2500	3060052140411
3000	3060052140413
4000	3060052140415

ELECTRICAL IMMERSION HEATERS

Mod.	Volume of water heated by the electrical immersion [lt]	MONOPHASE			THREEPHASE					
		1,5 kW	2 kW	3 kW	4 kW	5 kW	6 kW	9 kW	12 kW	
		5240000000051	5240000000052	5240000000053	5240000000047	5240000000048	5240000000049	5240000000050	5240000000031	
		Ignition time from 10 °C to 45 °C with immersion heaters [min]								
2500	797	1428	1071	714	535	428	357	238	178	
3000	874	1565	1173	782	587	469	391	261	196	
4000	924	1655	1241	828	621	497	414	276	207	

— Accessories on request —

"Easy Control" Electronic Display

ART. NR.	FOR MODELS
5005000310002	XC

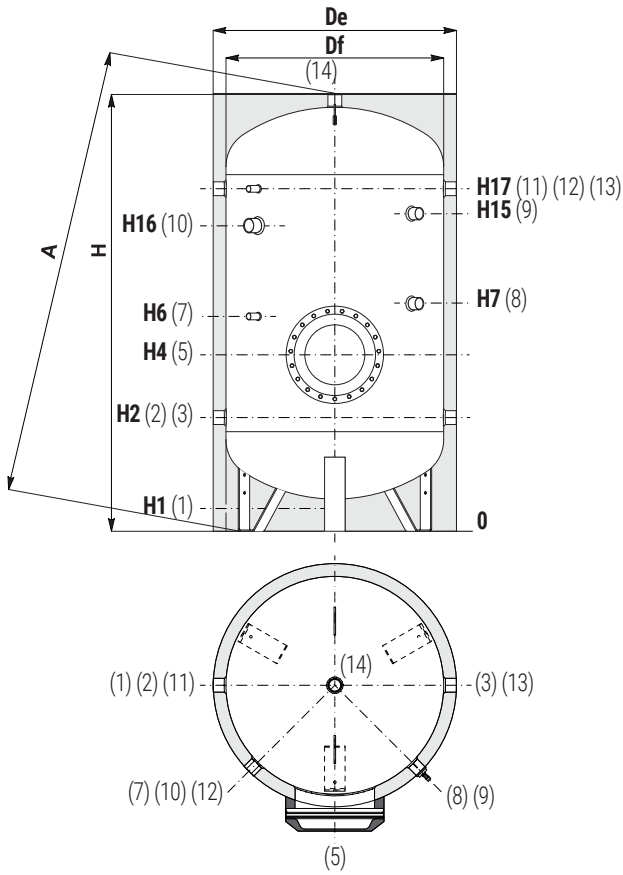
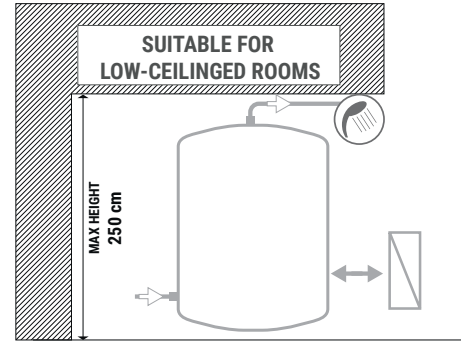


VASO INERZIALE INOX COMPACT

316 L STAINLESS STEEL DOMESTIC HOT WATER ACCUMULATION TANK

STORAGE

Pmax	Tmax
6 bar	95 °C



- 1 Drain 1" Gas F
- 2 Domestic cold water circuit inlet / Delivery to external heat exchanger
- 3 Domestic cold water circuit inlet / To the plate heat exchanger
- 5 Blind flange for inspection
- 7 Connection for instrumentation 1/2" Gas F
- 8 Connection for magnesium anode 1"1/4 Gas F
- 9 Connection for 2nd anode 1"1/4 Gas F
- 10 Connection for electrical immersion 2" Gas F
- 11 Recirculation / from plate heat exchanger
- 12 Connection for instrumentation 1/2" Gas F
- 13 Recirculation or DHW outlet
- 14 Domestic hot water outlet



COMPLETE YOUR SYSTEM WITH THE NEW PRS MODULE (FOR IMMEDIATE DHW PREPARATION)

SEE HYDRONIC SECTION

Model	Volume [lt]	Df [mm]	De [mm]	H	A	H1	H2	H4	H6	H7
2500	2635	1400	1500	2122	2542	117	557	602	742	982
3000	3038	1500	1600	2131	2606	106	556	601	741	981
4000	4002	1600	1700	2409	2892	94	564	609	749	1029

Model	H15 [mm]	H16 [mm]	H17 [mm]	5	1	2	3	11	13	7	12	8	9	10	14
	[mm]				Connections Gas F										
2500	1552	1501	1657	Øe 240	1"	2"	1/2"	1"1/4	1"1/4	2"	2"				
3000	1551	1500	1656	Øe 240	1"	2"	1/2"	1"1/4	1"1/4	2"	2"				
4000	1809	1732	1904	Øe 240	1"	2"	1/2"	1"1/4	1"1/4	2"	2"				

P.E.D. product designed and produced in conformity to the article 4.3 of directive 2014/68/UE - ErP Ecodesign directive 2009/125/CE

EXTRA-BOLLY® CALORIFIERS
BOLLYTERM® CALORIFIERS
STAINLESS STEEL CALORIFIERS
CALORIFIERS FOR HEAT PUMP
MULTIFUEL ENERGY CYLINDERS - PUFFER
HYDRONIC
INERTIAL TANKS
WATER PRESSURE TANKS
COMPRESSED AIR RECEIVERS
ACCESSORIES AND SPARE PARTS
TECHNICAL SUPPORT

BOLLY® 1 ST INOX

316 L STAINLESS STEEL DOMESTIC HOT WATER CALORIFIER WITH 1 FIXED HEAT EXCHANGER



APPLICATION

Production and storage of domestic hot water.

MATERIAL

Stainless Steel 316 L suitable for domestic hot water according to D.M. n. 174 dated 06.04.04.

HEAT EXCHANGER

1 stainless steel 316L fixed heat exchanger

INSULATION

- HARD: High thermal insulation with ecological polyurethane hard foam.
- SOFT: NOFIRE® polyester fleece 100% made of recyclable material, with high thermal insulation. Fire resistance class B-s2d0 according to EN 13501.

Grey PVC external lining complete with top and flange cover

CATHODE PROTECTION

Magnesium anode.

DRAIN

External confluence through drain connection.

GASKET- FLANGE PLATE

Silicone gaskets suitable for alimentary use; Stainless steel exchanger head.

WARRANTY

5 years - See general sales conditions and warranty

ACCESSORIES AND SPARE PARTS

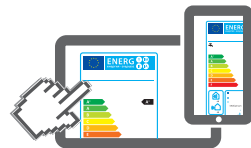
See Accessories section for the entire list.



HARD FOAM INSULATION



SOFT FLEECE INSULATION



www.cordivari.com/erp

On line ErP label tool

BOLLY® 1 ST XB

Model	HARD FOAM insulation Art. Nr.	HEAT EXCHANGER SURFACE INOX 316L [m ²]	ENERGY EFFICIENCY CLASS
200	3105052010252	1	B
300	3105052010253	1,5	B
400	3105052010254	1,8	C
500	3105052010255	2,1	C

BOLLY® 1 ST XC

Model	DISMOUNTABLE SOFT FLEECE insulation Art. Nr.	HEAT EXCHANGER SURFACE INOX 316L [m ²]	ENERGY EFFICIENCY CLASS
1000	3103052010277	3,4	C
1300	3103052010278	3,7	C
1500	3103052010279	3,7	C
2000	3103052010280	4,1	C

ELECTRICAL IMMERSION HEATERS

Mod.	Volume of water heated by the electrical immersion [lt]	MONOPHASE			THREEPHASE					
		1,5 kW	2 kW	3 kW	4 kW	5 kW	6 kW	9 kW	12 kW	
		5240000000051	5240000000052	5240000000053	5240000000047	5240000000048	5240000000049	5240000000050	5240000000031	
		Ignition time from 10 °C to 45 °C with immersion heaters [min]								
150	42	76	57	38	//	//	//	//	//	
200	72	128	96	64	//	//	//	//	//	
300	113	202	152	101	//	//	//	//	//	
400	167	299	225	150	//	//	//	//	//	
500	184	329	247	165	//	//	//	//	//	
800	313	560	420	280	//	//	//	//	//	
1000	383	686	514	343	257	206	171	114	86	
1300	500	896	672	448	336	269	224	149	112	
1500	557	998	749	499	374	299	250	166	125	
2000	835	1495	1121	747	560	448	374	249	187	

— Accessories on request —

"Easy Control" Electronic Display

ART. NR.	FOR MODELS
5005000310002	XC
5005000310003	XB



Thermometer

Art. Nr.
5032240000107
5 units box

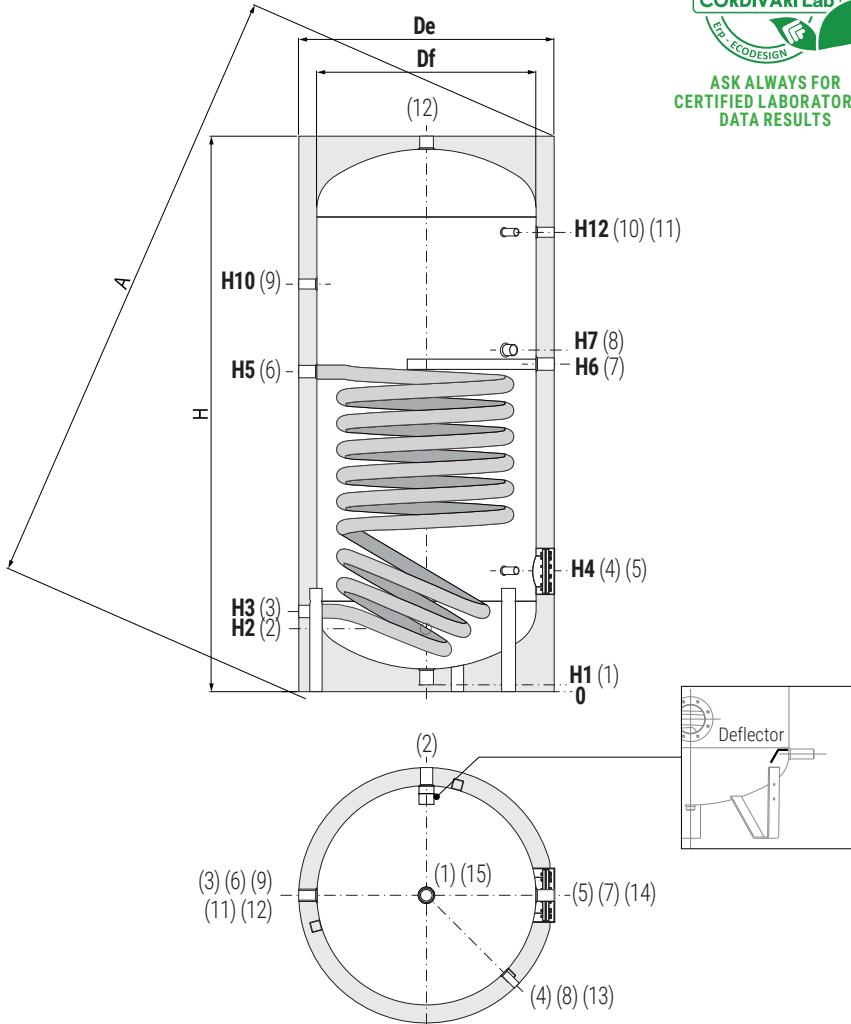
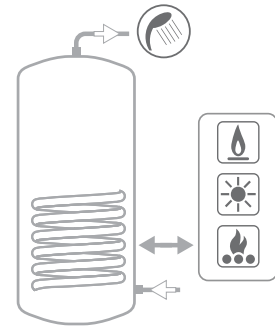


BOLLY® 1 ST INOX

316 L STAINLESS STEEL DOMESTIC HOT WATER CALORIFIER WITH 1 FIXED HEAT EXCHANGER

STORAGE		HEAT EXCHANGER	
Pmax	Tmax	Pmax	Tmax
6 bar	95 °C	12 bar	110 °C

CORDIVARI Lab
TÜV Rheinland Energie und Umwelt GmbH states that test procedures and Cordivari LAB are certified conforming to European standard EN 15332, as indicated by Ecodesign ErP Directive.



- 1 Drain
- 2 Domestic cold water circuit inlet
- 3 Primary circuit outlet
- 4 Connection for instrumentation 1/2" Gas F
- 5 Blind flange for inspection Ø 120 mm
For models >1000 connection Ø 160 mm
- 6 Primary circuit inlet
- 7 Connection for magnesium anode 1" 1/4 Gas F
- 8 Connection for electrical immersion 1" 1/2 Gas F
For models >500 connection 2" Gas F
- 9 Recirculation
- 10 Connection for instrumentation 1/2" Gas F
- 11 Connection for 2nd anode 1" 1/4 Gas F
(only for models da 800 a 2000)
- 12 Domestic hot water outlet

P.E.D. product designed and produced in conformity to the article 4.3 of directive 2014/68/UE - ErP Ecodesign directive 2009/125/CE

HARD FOAM INSULATION (XB)

Model	Volume [lt]	Df	De	H	A	H1	H2	H3	H4	H5	H6	H7	H10	H12	Connections Gas F				
															1	2	3-6	9	12
150	149	400	500	1426	1511	71	199	276	316	766	816	886	1066	1186	1/2"	3/4"	1"	3/4"	1"
200	191	450	550	1446	1547	71	209	296	326	822	866	926	1100	1206	1/2"	3/4"	1"	3/4"	1"
300	293	550	650	1501	1636	76	236	326	386	847	886	946	1116	1236	1/2"	1"	1"	1"	1"
400	425	600	700	1776	1909	71	246	346	395	998	1026	1086	1331	1486	1/2"	1"	1"	1"	1"
500	503	650	750	1796	1946	71	256	356	411	1046	1086	1154	1341	1496	1/2"	1"	1"	1"	1"

SOFT FLEECE INSULATION (XC)

Model	Volume [lt]	Df	De	H	A	H1	H2	H3	H4	H5	H6	H7	H10	H12	Connections Gas F				
															1	2	3-6	9	12
800	759	790	1010	1943	1968	114	323	423	478	998	1043	1113	1331	1533	3/4"	1"	1" 1/4"	1"	1" 1/4"
1000	902	800	1020	2192	2231	112	317	422	487	1266	1292	1347	1567	1802	3/4"	1"	1" 1/4"	1"	1" 1/4"
1300	1272	950	1210	2213	2269	118	313	438	483	1213	1248	1318	1578	1798	1"	1" 1/4"	1" 1/4"	2"	2"
1500	1398	1000	1260	2197	2260	93	327	452	497	1227	1242	1302	1542	1762	1"	2"	1" 1/4"	2"	2"
2000	2018	1250	1510	2070	2204	85	350	475	520	1035	1065	1160	1390	1575	1"	2"	1" 1/4"	2"	2"

EXTRA-BOLLY® CALORIFIERS
BOLLYTERM® CALORIFIERS
STAINLESS STEEL CALORIFIERS
CALORIFIERS FOR HEAT PUMP
MULTIFUEL ENERGY CYLINDERS - PUFFER
HYDRONIC
INERTIAL TANKS
WATER PRESSURE TANKS
COMPRESSED AIR RECEIVERS
ACCESSORIES AND SPARE PARTS
TECHNICAL SUPPORT

BOLLY® 2 ST INOX

316 L STAINLESS STEEL DOMESTIC HOT WATER CALORIFIER WITH 2 FIXED HEAT EXCHANGERS



APPLICATION

Production and storage of domestic hot water.

MATERIAL

Stainless Steel 316 L suitable for domestic hot water according to D.M. n. 174 dated 06.04.04.

HEAT EXCHANGER

2 stainless steel 316L fixed heat exchangers

INSULATION

- HARD: High thermal insulation with ecological polyurethane hard foam.
- SOFT: NOFIRE® polyester fleece 100% made of recyclable material, with high thermal insulation. Fire resistance class B-s2d0 according to EN 13501.

Grey PVC external lining complete with top and flange cover

CATHODE PROTECTION

Magnesium anode.

DRAIN

External confluence through drain connection.

GASKET- FLANGE PLATE

Silicone gaskets suitable for alimentary use; Stainless steel exchanger head.

WARRANTY

5 years - See general sales conditions and warranty

ACCESSORIES AND SPARE PARTS

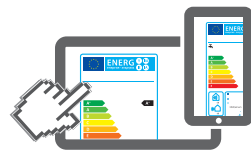
See Accessories section for the entire list.



HARD FOAM INSULATION

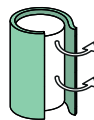


SOFT FLEECE INSULATION



www.cordivari.com/erp

On line ErP label tool



BOLLY® 2 ST XB

Model	HARD FOAM insulation Art. Nr.	STAINLESS STEEL HEAT EXCHANGER SURFACE		ENERGY EFFICIENCY CLASS
		Upper	Lower	
		[m ²]		
150	3135052010351	0,4	0,6	B
200	3135052010352	0,5	1	B
300	3135052010353	0,85	1,5	B
400	3135052010324	1	1,8	C
500	3135052010355	1,2	2,1	C

BOLLY® 2 ST XC

Model	DISMOUNTABLE SOFT FLEECE insulation Art. Nr.	STAINLESS STEEL HEAT EXCHANGER SURFACE		ENERGY EFFICIENCY CLASS
		Upper	Lower	
		[m ²]		
800	3133052010076	1,5	2,7	C
1000	3133052010077	1,8	3,4	C
1300	3133052010078	2,1	3,7	C
1500	3133052010079	2,1	3,7	C
2000	3133052010080	2,3	4,1	C

ELECTRICAL IMMERSION HEATERS

Mod.	Volume of water heated by the electrical immersion [lt]	MONOPHASE			THREEPHASE					
		1,5 kW	2 kW	3 kW	4 kW	5 kW	6 kW	9 kW	12 kW	
		5240000000051	5240000000052	5240000000053	5240000000047	5240000000048	5240000000049	5240000000050	5240000000031	
		Ignition time from 10 °C to 45 °C with immersion heaters [min]								
150	42	76	57	38	//	//	//	//	//	
200	72	128	96	64	//	//	//	//	//	
300	113	202	152	101	//	//	//	//	//	
400	167	299	225	150	//	//	//	//	//	
500	184	329	247	165	//	//	//	//	//	
800	313	560	420	280	//	//	//	//	//	
1000	383	686	514	343	257	206	171	114	86	
1300	500	896	672	448	336	269	224	149	112	
1500	557	998	749	499	374	299	250	166	125	
2000	835	1495	1121	747	560	448	374	249	187	

— Accessories on request —

"Easy Control" Electronic Display

ART. NR.	FOR MODELS
5005000310002	XC
5005000310003	XB



Thermometer

Art. Nr.
5032240000107
5 units box

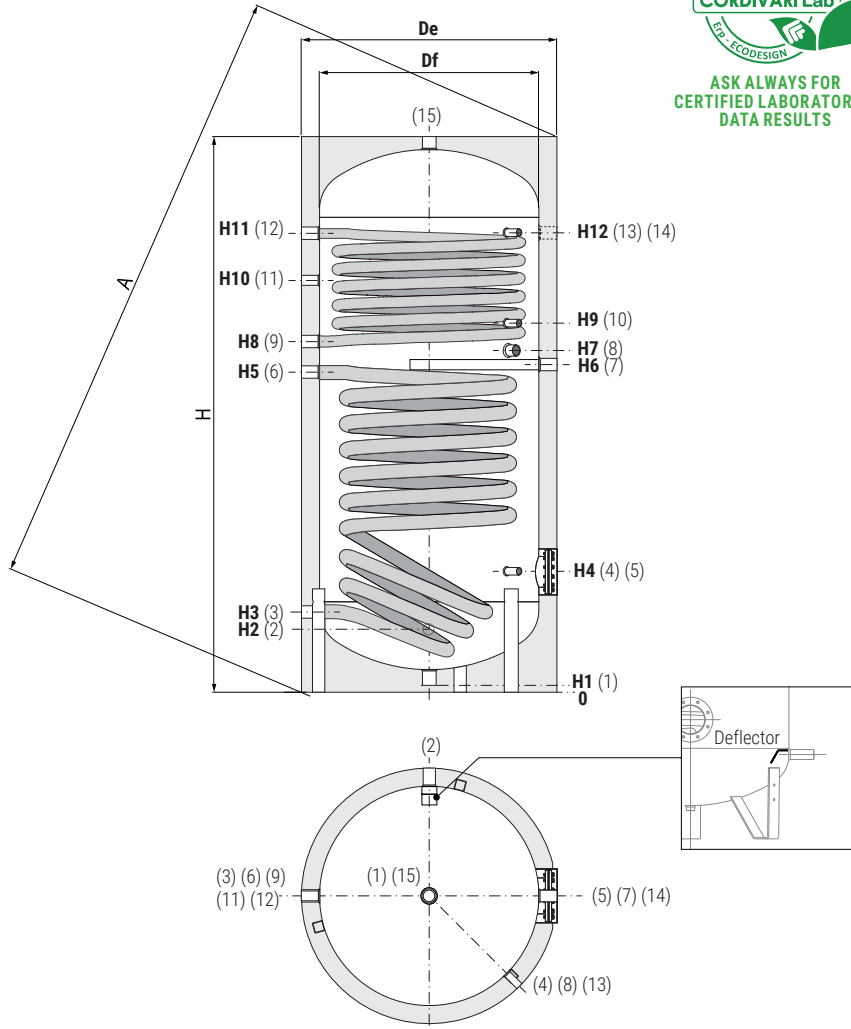
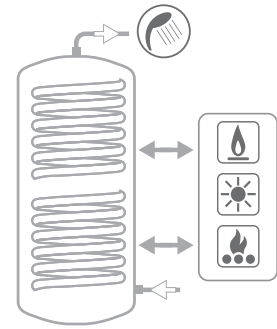


BOLLY® 2 ST INOX

316 L STAINLESS STEEL DOMESTIC HOT WATER CALORIFIER WITH 2 FIXED HEAT EXCHANGERS

STORAGE		HEAT EXCHANGER	
Pmax	Tmax	Pmax	Tmax
6 bar	95 °C	12 bar	110 °C

CORDIVARI® Lab
TÜV Rheinland Energie und Umwelt GmbH states that test procedures and Cordivari LAB are certified conforming to European standard EN 15332, as indicated by Ecodesign ErP Directive.



- 1 Drain
- 2 Domestic cold water circuit inlet
- 3 Primary circuit outlet
- 4 Connection for instrumentation 1/2" Gas F
- 5 Blind flange for inspection Ø 120 mm
For models >1000 connection Ø 160 mm
- 6 Primary circuit inlet 1" 1/4 Gas F
- 7 Connection for magnesium anode 1" 1/4 Gas F
- 8 Connection for electrical immersion 1" 1/2 Gas F
For models >500 connection 2" Gas F
- 9 Upper heat exchanger outlet
- 10 Connection for instrumentation 1/2" Gas F
- 11 Recirculation
- 12 Upper heat exchanger inlet
- 13 Connection for instrumentation 1/2" Gas F
- 14 Connection for 2nd anode 1" 1/4 Gas F (only for models > 500)
- 15 Domestic hot water outlet

P.E.D. product designed and produced in conformity to the article 4.3 of directive 2014/68/UE - ErP Ecodesign directive 2009/125/CE

HARD FOAM INSULATION (XB)

Model	Volume [lt]	Df	De	H	A	H1	H2	H3	H4	H5	H6	H7	H8	H9	H10	H11	H12	Connections GasF					
																		1	2	8	3-6 9-12	11	15
150	149	400	500	1426	1511	71	199	276	316	766	816	886	946	995	1066	1186	1186	1/2"	3/4"	1" 1/2"	1"	3/4"	1"
200	191	450	550	1446	1547	71	209	296	326	822	866	926	971	1056	1100	1206	1206	1/2"	3/4"	1" 1/2"	1"	3/4"	1"
300	293	550	650	1501	1636	76	236	326	386	847	886	946	996	1072	1116	1236	1236	1/2"	1"	1" 1/2"	1"	1"	1"
400	425	600	700	1776	1909	71	246	346	395	998	1026	1086	1132	1264	1331	1475	1486	1/2"	1"	1" 1/2"	1"	1"	1"
500	503	650	750	1796	1946	71	256	356	411	1046	1086	1154	1196	1274	1341	1485	1496	1/2"	1"	1" 1/2"	1"	1"	1"

SOFT FLEECE INSULATION (XC)

Model	Volume [lt]	Df	De	H	A	H1	H2	H3	H4	H5	H6	H7	H8	H9	H10	H11	H12	Connections Gas F					
																		1	2	8	3-6 9-12	11	15
800	759	790	1010	1943	1968	114	323	423	478	998	1043	1113	1163	1260	1331	1475	1533	3/4"	1"	2"	1" 1/4"	1"	1" 1/4"
1000	902	800	1020	2192	2231	112	317	422	487	1266	1292	1347	1382	1442	1567	1802	1802	3/4"	1"	2"	1" 1/4"	1"	1" 1/4"
1300	1272	950	1210	2213	2269	118	313	438	483	1213	1248	1318	1368	1427	1578	1788	1798	1"	1" 1/4"	2"	1" 1/4"	2"	2"
1500	1398	1000	1260	2197	2260	93	327	452	497	1227	1242	1302	1332	1462	1542	1752	1762	1"	2"	2"	1" 1/4"	2"	2"
2000	2018	1250	1510	2070	2204	85	350	475	520	1035	1065	1160	1215	1345	1390	1565	1575	1"	2"	2"	1" 1/4"	2"	2"

EXTRA-BOLLY® CALORIFIERS
BOLLYTERM® CALORIFIERS
STAINLESS STEEL CALORIFIERS
CALORIFIERS FOR HEAT PUMP
MULTIFUEL ENERGY CYLINDERS - PUFFER
HYDRONIC
INERTIAL TANKS
WATER PRESSURE TANKS
COMPRESSED AIR RECEIVERS
ACCESSORIES AND SPARE PARTS
TECHNICAL SUPPORT

BOLLY® 1 XL INOX

316 L STAINLESS STEEL DOMESTIC HOT WATER CALORIFIER
WITH 1 HIGH PERFORMACE FIXED HEAT EXCHANGER



APPLICATION

Production and storage of domestic hot water.

MATERIAL

Stainless Steel 316 L suitable for domestic hot water according to D.M. n. 174 dated 06.04.04.

HEAT EXCHANGER

1 stainless steel 316L fixed heat exchanger

INSULATION

- HARD: High thermal insulation with ecological polyurethane hard foam.
- SOFT: NOFIRE® polyester fleece 100% made of recyclable material, with high thermal insulation. Fire resistance class B-s2d0 according to EN 13501.

Grey PVC external lining complete with top and flange cover

CATHODE PROTECTION

Magnesium anode.

DRAIN

External confluence through drain connection.

GASKET- FLANGE PLATE

Silicone gaskets suitable for alimentary use; Stainless steel exchanger head.

WARRANTY

5 years - See general sales conditions and warranty

ACCESSORIES AND SPARE PARTS

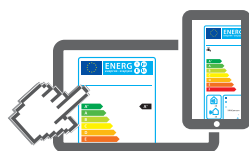
See Accessories section for the entire list.



HARD FOAM INSULATION



SOFT FLEECE INSULATION



www.cordivari.com/erp

On line ErP label tool

BOLLY® 1 XL XB

Model	HARD FOAM insulation Art. Nr.	HEAT EXCHANGER SURFACE INOX 316L [m ²]	ENERGY EFFICIENCY CLASS
300	3105052300002	3,5	B
500	3105052300003	5,5	C

BOLLY® 1 XL XC

Model	DISMOUNTABLE SOFT FLEECE insulation Art. Nr.	HEAT EXCHANGER SURFACE INOX 316L [m ²]	ENERGY EFFICIENCY CLASS
1000	3105052300017	6,8	C

ELECTRICAL IMMERSION HEATERS

Model	Volume of water heated by the electrical immersion [lt]	Ignition time from 10 °C to 45 °C with immersion heaters [min]		
		1,5 kW	2 kW	3 kW
		5240000000051	5240000000052	5240000000053
200	67	120	90	60
300	72	129	97	64
500	114	204	153	102
800	232	416	312	208
1000	346	620	465	310

— Accessories on request —

"Easy Control" Electronic Display

ART. NR.	FOR MODELS
5005000310002	XC
5005000310003	XB



Thermometer

Art. Nr.
5032240000107
5 units box

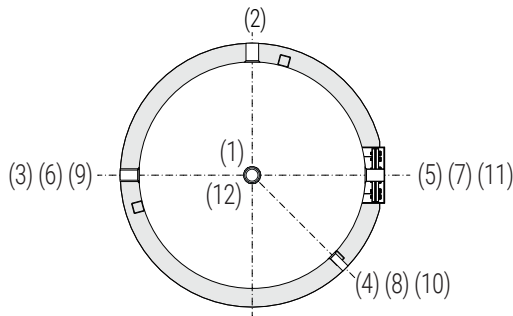
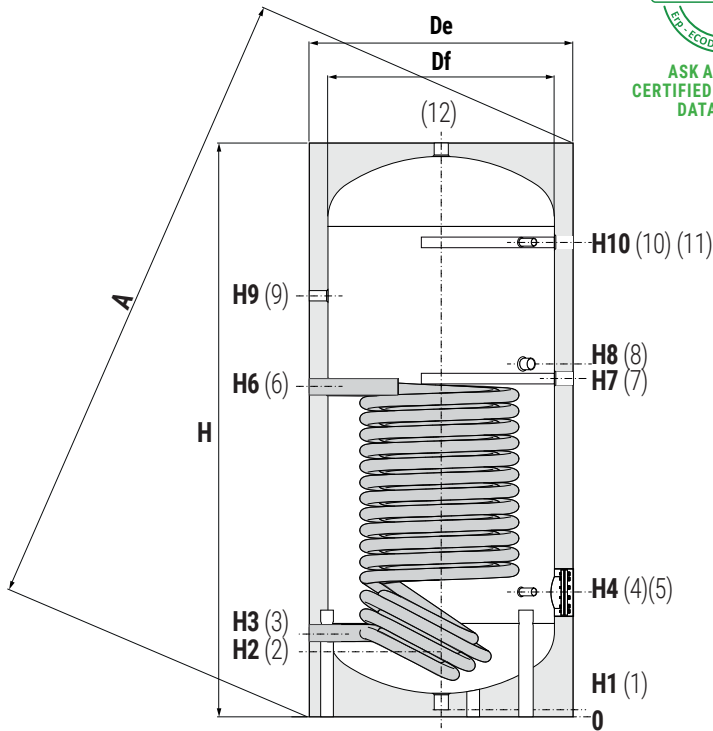
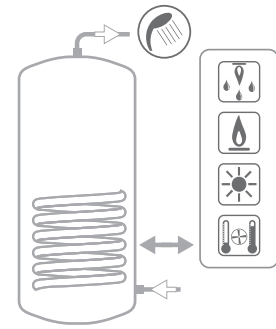


BOLLY® 1 XL INOX

316 L STAINLESS STEEL DOMESTIC HOT WATER CALORIFIER
WITH 1 HIGH PERFORMACE FIXED HEAT EXCHANGER

STORAGE		HEAT EXCHANGER	
Pmax	Tmax	Pmax	Tmax
6 bar	95 °C	12 bar	110 °C

CORDIVARI® Lab
TÜV Rheinland Energie und Umwelt GmbH states that test procedures and Cordivari LAB are certified conforming to European standard EN 15332, as indicated by Ecodesign ErP Directive.



- 1 Drain
- 2 Domestic cold water circuit inlet
- 3 Primary circuit outlet 1" 1/4 Gas F
- 4 Connection for instrumentation 1/2" Gas F
- 5 Blind flange for inspection Ø 120 mm
- 6 Primary circuit inlet 1" 1/4 Gas F
- 7 Connection for magnesium anode 1" 1/4 Gas F
- 8 Connection for electrical immersion 1" 1/2 Gas F
For models >500 connection 2" Gas F
- 9 Recirculation 1" F
- 10 Connection for instrumentation 1/2" Gas F
- 11 Connection for 2nd anode 1" 1/4 Gas F (only for models > 500)
- 12 Domestic hot water outlet

HARD FOAM INSULATION (XB)

Model	Volume [lt]	De	H	A	H1	H2	H3	H4	H6	H7	H8	H9	H10	Connections Gas F		
														1	2	12
200	191	550	1446	1547	71	206	296	326	713	866	926	1100	1206	1/2"	1"	1"
300	293	650	1501	1636	76	236	326	386	1022	1036	1096	1176	1236	1/2"	1"	1"
500	503	750	1796	1946	71	256	356	411	1232	1272	1340	1396	1496	1/2"	1"	1"

SOFT FLEECE INSULATION (XC)

Model	Volume [lt]	Df	De	H	A	H1	H2	H3	H4	H6	H7	H8	H9	H10	H11	Connections Gas F		
																1	2	12
800	759	[mm]													3/4"	1"	1" 1/4	
1000	902	790	1010	1943	1986	114	323	423	478	1151	1223	1293	1331	1533	1533	3/4"	1" 1/4	1" 1/4

P.E.D. product designed and produced in conformity to the article 4.3 of directive 2014/68/UE - ErP Ecodesign directive 2009/125/CE

EXTRA-BOLLY®
CALORIFIERS

BOLLYTERM®
CALORIFIERS

STAINLESS STEEL
CALORIFIERS

CALORIFIERS FOR
HEAT PUMP

MULTIFUEL ENERGY
CYLINDERS - PUFFER

HYDRONIC

INERTIAL
TANKS

WATER PRESSURE
TANKS

COMPRESSED AIR
RECEIVERS

ACCESSORIES
AND SPARE PARTS

TECHNICAL
SUPPORT

BOLLY® 2 XL INOX

316 L STAINLESS STEEL DOMESTIC HOT WATER CALORIFIER
WITH 2 HIGH PERFORMANCE FIXED HEAT EXCHANGERS



APPLICATION

Production and storage of domestic hot water.

MATERIAL

Stainless Steel 316 L suitable for domestic hot water according to D.M. n. 174 dated 06.04.04.

HEAT EXCHANGER

2 stainless steel 316L fixed heat exchangers

INSULATION

- HARD: High thermal insulation with ecological polyurethane hard foam.
- SOFT: NOFIRE® polyester fleece 100% made of recyclable material, with high thermal insulation. Fire resistance class B-s2d0 according to EN 13501.

Grey PVC external lining complete with top and flange cover

CATHODE PROTECTION

Magnesium anode.

DRAIN

External confluence through drain connection.

GASKET- FLANGE PLATE

Silicone gaskets suitable for alimentary use; Stainless steel exchanger head.

WARRANTY

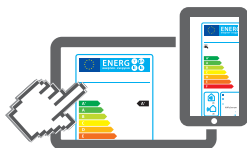
5 years - See general sales conditions and warranty

ACCESSORIES AND SPARE PARTS

See Accessories section for the entire list.



HARD FOAM INSULATION



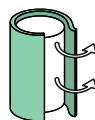
www.cordivari.com/erp

On line ErP label tool

BOLLY® 2 XL XB

Model	HARD FOAM insulation Art. Nr.	STAINLESS STEEL HEAT EXCHANGER SURFACE		ENERGY EFFICIENCY CLASS
		Upper	Lower	
200	3135052010202	1,9	1	B
300	3135052010203	2,4	1	B
500	3135052010205	4,5	1,4	C

SOFT FLEECE INSULATION



BOLLY® 2 XL XC

Model	DISMOUNTABLE SOFT FLEECE insulation Art. Nr.	STAINLESS STEEL HEAT EXCHANGER SURFACE		ENERGY EFFICIENCY CLASS
		Upper	Lower	
800	3135052010216	6,2	1,8	C
1000	3135052010217	6	3,8	C

ELECTRICAL IMMERSION HEATERS

Model	Volume of water heated by the electrical immersion [lt]	Ignition time from 10 °C to 45 °C with immersion heaters [min]		
		1,5 kW	2 kW	3 kW
		52400000000051	52400000000052	52400000000053
200	98	176	132	88
300	169	274	206	137
500	305	496	372	248
800	420	752	564	376
1000	534	956	717	478

— Accessories on request —

"Easy Control" Electronic Display

ART. NR.	FOR MODELS
5005000310002	XC
5005000310003	XB



Thermometer

Art. Nr.
5032240000107
5 units box

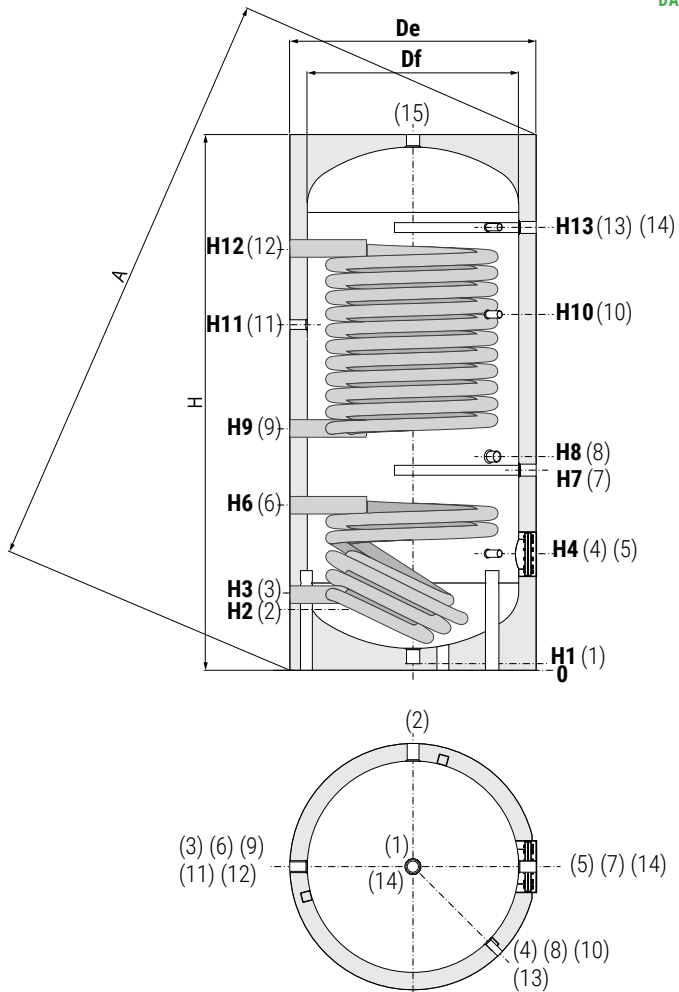
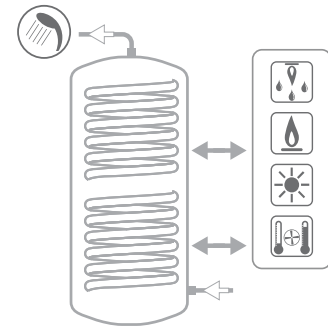


BOLLY® 2 XL INOX

316 L STAINLESS STEEL DOMESTIC HOT WATER CALORIFIER
WITH 2 HIGH PERFORMANCE FIXED HEAT EXCHANGERS

STORAGE		HEAT EXCHANGER	
P _{max}	T _{max}	P _{max}	T _{max}
6 bar	95 °C	12 bar	110 °C

CORDIVARI Lab
TÜV Rheinland Energie und Umwelt GmbH states that test procedures and Cordivari LAB are certified conforming to European standard EN 15332, as indicated by Ecodesign ErP Directive.



- 1 Drain
- 2 Domestic cold water circuit inlet
- 3 Primary circuit outlet 1" 1/4 Gas F
- 4 Connection for instrumentation 1/2" Gas F
- 5 Blind flange for inspection Ø 120 mm
- 6 Primary circuit inlet 1" 1/4 Gas F
- 7 Connection for magnesium anode 1" 1/4 Gas F
- 8 Connection for electrical immersion 1" 1/2 Gas F
For models >500 connection 2" Gas F
- 9 Upper heat exchanger outlet 1" 1/4 Gas F
- 10 Connection for instrumentation 1/2" Gas F
- 11 Recirculation 1" Gas F
- 12 Upper heat exchanger inlet 1" 1/4 Gas F
- 13 Connection for instrumentation 1/2" Gas F
- 14 Connection for 2nd anode 1"1/4 Gas F (only for models > 500)
- 15 Domestic hot water outlet

HARD FOAM INSULATION (XB)

Model	Volume [lt]	De	H	A	H1	H2	H3	H4	H6	H7	H8	H9	H10	H11	H12	H13	Connections Gas F		
																	1	2	15
200	191	550	1446	1547	71	206	296	326	533	646	726	801	886	1046	1206	960	1/2"	1"	1"
300	293	650	1501	1636	76	236	326	386	572	626	706	741	1096	989	1236	1236	1/2"	1"	1"
500	503	750	1796	1946	71	256	356	411	601	686	766	810	1299	1148	1485	1496	1/2"	1"	1"

SOFT FLEECE INSULATION (XC)

Model	Volume [lt]	Df	De	H	A	H1	H2	H3	H4	H6	H7	H8	H9	H10	H11	H12	H13	Connections Gas F		
																		1	2	15
800	759	790	1010	1943	1986	114	323	423	478	664	696	756	800	1383	1213	1548	1568	3/4"	1"	1"1/4
1000	902	800	1020	2192	2231	112	317	412	477	873	908	963	1008	1564	1452	1756	1792	3/4"	1"1/4	1"1/4

P.E.D. product designed and produced in conformity to the article 4.3 of directive 2014/68/UE - ErP Ecodesign directive 2009/125/CE

EXTRA-BOLLY® CALORIFIERS
BOLLYTERM® CALORIFIERS
STAINLESS STEEL CALORIFIERS
CALORIFIERS FOR HEAT PUMP
MULTIFUEL ENERGY CYLINDERS - PUFFER
HYDRONIC
INERTIAL TANKS
WATER PRESSURE TANKS
COMPRESSED AIR RECEIVERS
ACCESSORIES AND SPARE PARTS
TECHNICAL SUPPORT

COMBI 1 INOX

MULTI-HEAT ENERGY BUFFER WITH 316L STAINLESS STEEL TANK IN TANK CALORIFIER



APPLICATION

Heating hot water storage and D.H.W. production.

MATERIAL

Buffer tank: Mild steel construction with exterior paint. No anti-corrosion treatment required due to the buffer's closed circuit system.

D.H.W. storage: 316L Stainless steel

INSULATION

High thermal insulation with ecological polyurethane hard foam. Grey PVC external lining

TECHNICAL DESCRIPTION

Multi-Heat Energy tanks Combi1 are used in units with a typically discontinuous energy source for double use: heating system and domestic hot water system.

CATHODE PROTECTION

Chain magnesium anode

WARRANTY

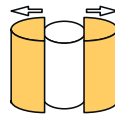
5 years - See general sales conditions and warranty

ACCESSORIES AND SPARE PARTS

See Accessories section for the entire list.



HARD FOAM INSULATION



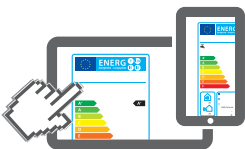
COMBI 1 XB

316L STAINLESS STEEL
DHW STORAGE

ENERGY
EFFICIENCY
CLASS

Model	HARD FOAM insulation	Volume [lt]	Surface [m ²]	ErP
	Art. Nr.			
500	3270162314051	99	1,1	C
600	3270162314052	146	1,3	C

Model	DISMOUNTABLE HARD FOAM insulation	Volume [lt]	Surface [m ²]	ErP
	Art. Nr.			
800	3270162314053	191	1,6	C
1000	3270162314054	226	1,8	C



www.cordivari.com/erp

On line ErP label tool

Accessories on request

Thermometer

Art. Nr.	
5032240000107	
5 units box	

Chain magnesium anode (connection 3/4")

Art. Nr.	For models	
5200000041007	800,1000	
5200000041016	500,600	
N° 2 chain anodes + insulated cap + gasket		

Buffer tanks connecting kit

Art. Nr.	Connection	
5006170001001	1" 1/2	
Stainless steel extensible connecting kit - (200 ÷ 400 mm)		

COMBI 1 INOX

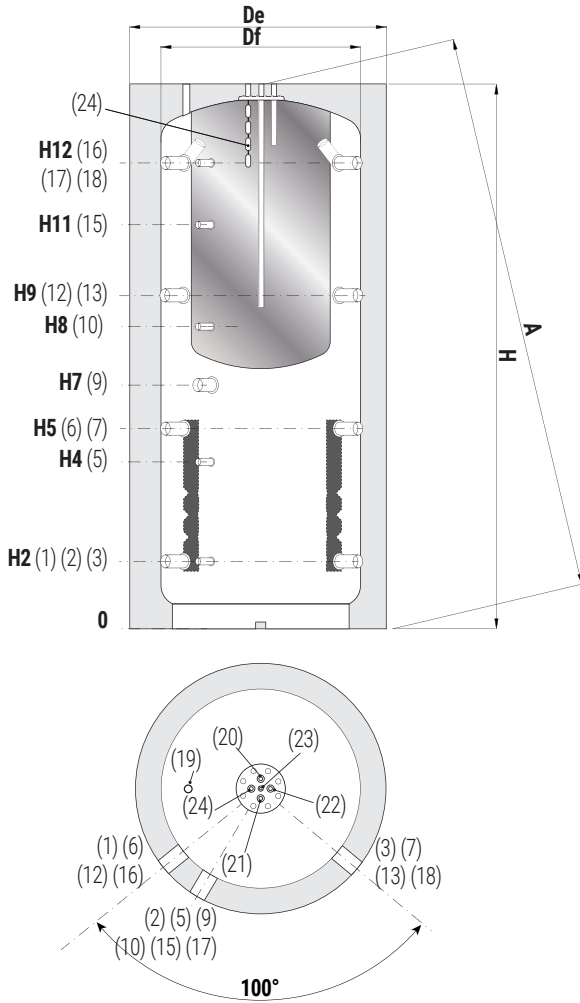
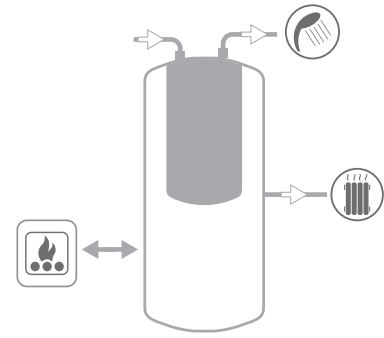
MULTI-HEAT ENERGY BUFFER WITH 316L STAINLESS STEEL TANK IN TANK CALORIFIER

TECHNICAL STORAGE		D.H.W. STORAGE	
Pmax	Tmax	Pmax	Tmax
3 bar	99 °C	6 bar	95 °C

CORDIVARI Lab
TÜV Rheinland Energie und Umwelt GmbH states that test procedures and Cordivari LAB are certified conforming to European standard EN 15332, as indicated by Ecodesign ErP Directive.



ASK ALWAYS FOR CERTIFIED LABORATORIES DATA RESULTS



- 1-3** Heating return/To Generator 1"1/2 Gas F
- 2** Connection for instrumentation 1/2" Gas F
- 5** Connection for instrumentation 1/2" Gas F
- 6-7** Heating return/To Generator 1"1/2 Gas F
- 9** Electrical immersion 1"1/2 Gas F
- 10** Connection for instrumentation 1/2" Gas F
- 12-13** Heating return/To additional generator/Heating delivery 1"1/2 Gas F
- 15** Connection for instrumentation 1/2" Gas F
- 16-18** Heating return/Heating delivery 1"1/2 Gas F
- 17** Connection for instrumentation 1/2" Gas F
- 19** Air purge 1/2" Gas F
- 20** Domestic hot water inlet 3/4" Gas F
- 21** Domestic hot water outlet 3/4" Gas F
- 22** Recirculation 3/4" Gas F
- 23** Connection for instrumentation 1/2" Gas F
- 24** Chain magnesium anode 3/4" Gas F

Model	Volume [litres]	De	H	A	H2	H4	H5	H7	H9	H11	H12
500	478	750	1670	2108	247	533	629	841	1011	1231	1343
600	560	750	1920	2061	247	582	695	915	1144	1382	1593
800	803	950	1890	2111	265	584	690	823	1115	1332	1541
1000	944	950	2180	2374	265	656	787	998	1309	1588	1831

P.E.D. product designed and produced in conformity to the article 4.3 of directive 2014/68/UE - ErP Ecodesign directive 2009/125/CE

EXTRA-BOLLY® CALORIFIERS
BOLLYTERM® CALORIFIERS
STAINLESS STEEL CALORIFIERS
CALORIFIERS FOR HEAT PUMP
MULTIFUEL ENERGY CYLINDERS - PUFFER
HYDRONIC
INERTIAL TANKS
WATER PRESSURE TANKS
COMPRESSED AIR RECEIVERS
ACCESSORIES AND SPARE PARTS
TECHNICAL SUPPORT

COMBI2 INOX

MULTI-HEAT ENERGY BUFFER WITH 316L STAINLESS STEEL TANK IN TANK CALORIFIER AND 1 FIXED HEAT EXCHANGER



APPLICATION

Heating hot water storage and D.H.W. production.

MATERIAL

Buffer tank:: Mild steel construction with exterior paint. No anti-corrosion treatment required due to the buffer's closed circuit system.

D.H.W. storage: 316L Stainless steel

HEAT EXCHANGER

1 fixed heat exchanger.

TECHNICAL DESCRIPTION

Multi-Heat Energy tanks Combi2 are used in units with a typically discontinuous energy source for double use: heating systems and domestic hot water systems.

INSULATION

High thermal insulation with ecological polyurethane hard foam.

Grey PVC external lining

CATHODE PROTECTION

Chain magnesium anode

WARRANTY

5 years - See general sales conditions and warranty

ACCESSORIES AND SPARE PARTS


See Accessories section for the entire list.




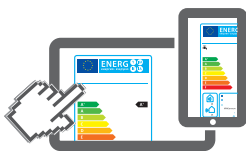
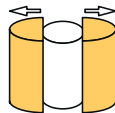
HARD FOAM INSULATION



COMBI 2 XB

Model	HARD FOAM insulation Art. Nr.	316L STAINLESS STEEL DHW STORAGE		HEAT EXCHANGER		ENERGY EFFICIENCY CLASS 
		Volume [lt]	Surface [m²]	Volume [lt]	Surface [m²]	
500	3270162314151	99	1,1	11,5	1,9	C
600	3270162314152	146	1,3	18	2,8	C

Model	DISMOUNTABLE HARD FOAM insulation Art. Nr.	Volume		Surface		ENERGY EFFICIENCY CLASS 
		[lt]	[m²]	[lt]	[m²]	
800	3270162314153	191	1,6	20	3,1	C
1000	3270162314154	226	1,8	24	3,7	C




www.cordivari.com/erp

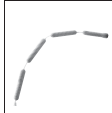
On line ErP label tool

Accessories on request


Thermometer

Art. Nr.	
5032240000107	
5 units box	

Chain magnesium anode (connection 3/4")

Art. Nr.	For models	
5200000041007	800,1000	
5200000041016	500,600	
N° 2 chain anodes + insulated cap + gasket		

Buffer tanks connecting kit

Art. Nr.	Connection	
5006170001001	1" 1/2	
Stainless steel extensible connecting kit - (200 ÷ 400 mm)		

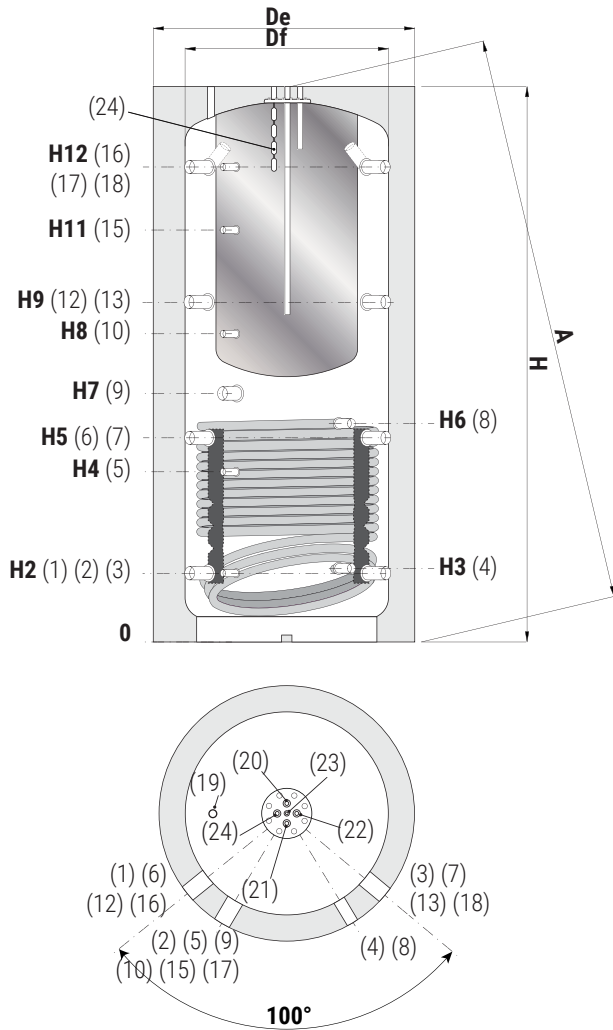
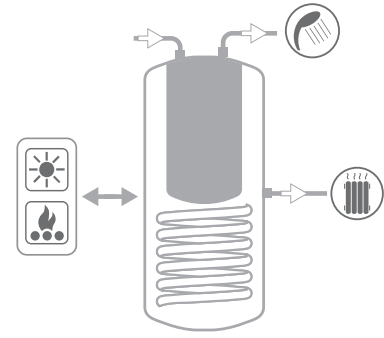
COMBI 2 INOX

MULTI-HEAT ENERGY BUFFER WITH 316L STAINLESS STEEL TANK IN TANK CALORIFIER AND 1 FIXED HEAT EXCHANGER

TECHNICAL STORAGE		D.H.W. STORAGE		FIXED HEAT EXCHANGER	
Pmax	Tmax	Pmax	Tmax	Pmax	Tmax
3 bar	99 °C	6 bar	95 °C	12 bar	110 °C

CORDIVARI Lab
TÜV Rheinland Energie und Umwelt GmbH states that test procedures and Cordivari LAB are certified conforming to European standard EN 15332, as indicated by Ecodesign ErP Directive.

TESTED
CORDIVARI Lab
ER P ECODESIGN
ASK ALWAYS FOR CERTIFIED LABORATORIES DATA RESULTS



- 1-3** Heating return/To Generator 1"1/2 Gas F
- 2** Connection for instrumentation 1/2" Gas F
- 4** Lower fixed heat exchanger outlet 1" Gas F
- 5** Connection for instrumentation 1/2" Gas F
- 6-7** Heating return/To Generator 1"1/2 Gas F
- 8** Lower fixed heat exchanger inlet 1" Gas F
- 9** Electrical immersion 1"1/2 Gas F
- 10** Connection for instrumentation 1/2" Gas F
- 12-13** Heating return/To additional generator/Heating delivery 1"1/2 Gas F
- 15** Connection for instrumentation 1/2" Gas F
- 16-18** Heating return/Heating delivery 1"1/2 Gas F
- 17** Connection for instrumentation 1/2" Gas F
- 19** Air purge 1/2" Gas F
- 20** Domestic hot water inlet 3/4" Gas F
- 21** Domestic hot water outlet 3/4" Gas F
- 22** Recirculation 3/4" Gas F
- 23** Connection for instrumentation 1/2" Gas F
- 24** Chain magnesium anode 3/4" Gas F

Model	Volume [litres]	De	H	A	H2	H4	H5	H7	H9	H11	H12
500	478	750	1670	2108	247	533	629	841	1011	1231	1343
600	560	750	1920	2061	247	582	695	915	1144	1382	1593
800	803	950	1890	2111	265	584	690	823	1115	1332	1541
1000	944	950	2180	2374	265	656	787	998	1309	1588	1831

P.E.D. product designed and produced in conformity to the article 4.3 of directive 2014/68/UE - ErP Ecodesign directive 2009/125/CE

EXTRA-BOLLY® CALORIFIERS
BOLLYTERM® CALORIFIERS
STAINLESS STEEL CALORIFIERS
CALORIFIERS FOR HEAT PUMP
MULTIFUEL ENERGY CYLINDERS - PUFFER
HYDRONIC
INERTIAL TANKS
WATER PRESSURE TANKS
COMPRESSED AIR RECEIVERS
ACCESSORIES AND SPARE PARTS
TECHNICAL SUPPORT

COMBI 3 INOX

MULTI-HEAT ENERGY BUFFER WITH 316L STAINLESS STEEL TANK IN TANK CALORIFIER AND 2 FIXED HEAT EXCHANGERS



D.H.W. STORAGE
316L
STAINLESS
STEEL

APPLICATION

Heating hot water storage and D.H.W. production.

MATERIAL

Buffer tank: Mild steel construction with exterior paint. No anti-corrosion treatment required due to the buffer's closed circuit system.

D.H.W. storage: 316L Stainless steel

HEAT EXCHANGER

2 fixed heat exchangers.

TECHNICAL DESCRIPTION

Multi-Heat Energy tanks Combi3 are used in units with a typically discontinuous energy source for double use: heating systems and domestic hot water systems.

INSULATION

High thermal insulation with ecological polyurethane hard foam.

Grey PVC external lining

CATHODE PROTECTION

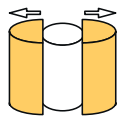
Chain magnesium anode

WARRANTY

5 years - See general sales conditions and warranty

ACCESSORIES AND SPARE PARTS

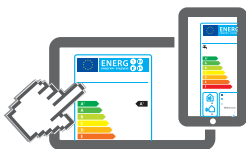
See Accessories section for the entire list.



COMBI 3 XB

Model	HARD FOAM insulation Art. Nr.	316L STAINLESS STEEL DHW STORAGE		UPPER HEAT EXCHANGER		LOWER HEAT EXCHANGER		ENERGY EFFICIENCY CLASS
		Volume [lt]	Surface [m ²]	Volume [lt]	Surface [m ²]	Volume [lt]	Surface [m ²]	
500	3270162314251	99	1,1	8	1,3	11,5	1,9	C
600	3270162314252	146	1,3	12	1,9	18	2,8	C

Model	DISMOUNTABLE HARD FOAM insulation Art. Nr.	Volume		Surface		Volume		Surface		ENERGY EFFICIENCY CLASS
		[lt]	[m ²]	[lt]	[m ²]	[lt]	[m ²]			
800	3270162314253	191	1,6	16	2,4	20	3,1	C		
1000	3270162314254	226	1,8	20	3,1	24	3,7	C		



www.cordivari.com/erp

On line ErP label tool

Accessories on request

Thermometer

Art. Nr.	
5032240000107	
5 units box	

Chain magnesium anode (connection 3/4")

Art. Nr.	For models	
5200000041007	800,1000	
5200000041016	500,600	
N° 2 chain anodes + insulated cap + gasket		

Buffer tanks connecting kit

Art. Nr.	Connection	
5006170001001	1" 1/2	
Stainless steel extensible connecting kit - (200 ÷ 400 mm)		

COMBI 3 INOX

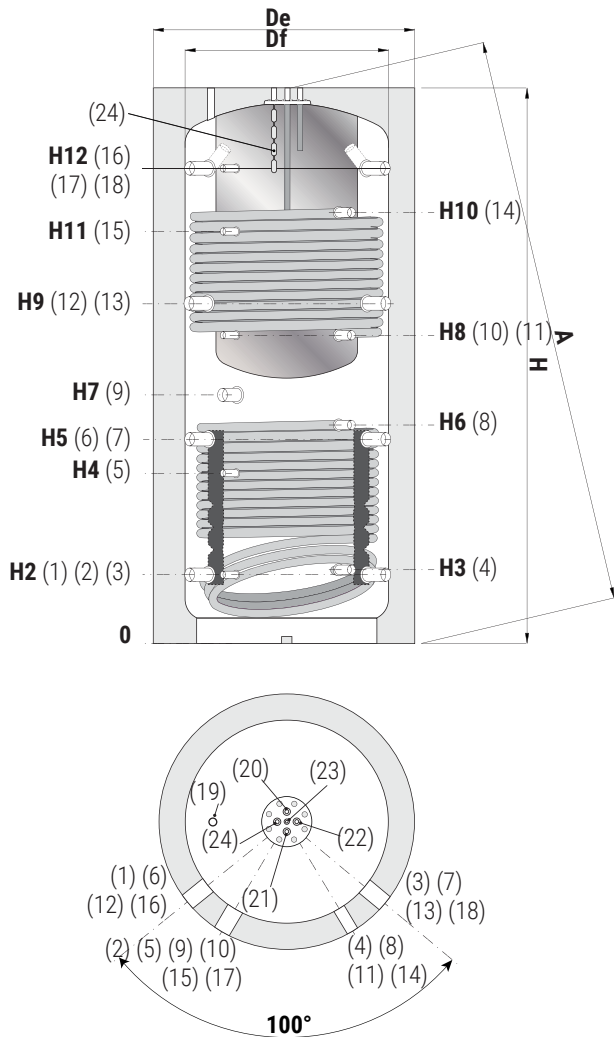
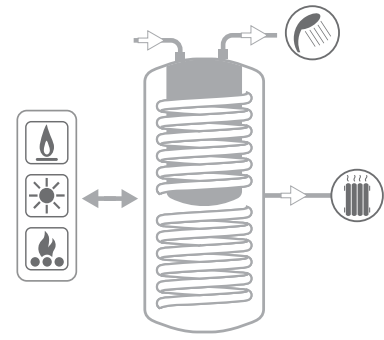
MULTI-HEAT ENERGY BUFFER WITH 316L STAINLESS STEEL TANK IN TANK CALORIFIER
AND 2 FIXED HEAT EXCHANGERS

TECHNICAL STORAGE		D.H.W. STORAGE		FIXED HEAT EXCHANGER	
Pmax	Tmax	Pmax	Tmax	Pmax	Tmax
3 bar	99 °C	6 bar	95 °C	12 bar	110 °C

CORDIVARI Lab
TÜV Rheinland Energie und Umwelt GmbH states that test procedures and Cordivari LAB are certified conforming to European standard EN 15332, as indicated by Ecodesign ErP Directive.



ASK ALWAYS FOR CERTIFIED LABORATORIES DATA RESULTS



- 1-3** Heating return/To Generator 1"1/2 Gas F
- 2** Connection for instrumentation 1/2" Gas F
- 4** Lower fixed heat exchanger outlet 1" Gas F
- 5** Connection for instrumentation 1/2" Gas F
- 6-7** Heating return/To Generator 1"1/2 Gas F
- 8** Lower fixed heat exchanger inlet 1" Gas F
- 9** Electrical immersion 1"1/2 Gas F
- 10** Connection for instrumentation 1/2" Gas F
- 11** Upper fixed heat exchanger outlet 1" Gas F
- 12-13** Heating return/To additional generator/Heating delivery 1"1/2 Gas F
- 14** Upper fixed heat exchanger inlet 1" Gas F
- 15** Connection for instrumentation 1/2" Gas F
- 16-18** Heating return/Heating delivery 1"1/2 Gas F
- 17** Connection for instrumentation 1/2" Gas F
- 19** Air purge 1/2" Gas F
- 20** Domestic hot water inlet 3/4" Gas F
- 21** Domestic hot water outlet 3/4" Gas F
- 22** Recirculation 3/4" Gas F
- 23** Connection for instrumentation 1/2" Gas F
- 24** Chain magnesium anode 3/4" Gas F

Model	Volume [litres]	De	H	A	H2	H3	H4	H5	H6	H7	H8	H9	H10	H11	H12
		[mm]													
500	478	750	1670	2108	247	260	533	629	744	841	930	1011	1231	1231	1343
600	560	750	1920	2061	247	260	582	695	855	915	1060	1144	1500	1382	1593
800	803	950	1890	2111	265	278	584	690	762	823	988	1115	1428	1332	1541
1000	944	950	2180	2374	265	284	656	787	953	998	1188	1309	1748	1588	1831

P.E.D. product designed and produced in conformity to the article 4.3 of directive 2014/68/UE - ErP Ecodesign directive 2009/125/CE

EXTRA-BOLLY® CALORIFIERS
BOLLYTERM® CALORIFIERS
STAINLESS STEEL CALORIFIERS
CALORIFIERS FOR HEAT PUMP
MULTIFUEL ENERGY CYLINDERS - PUFFER
HYDRONIC
INERTIAL TANKS
WATER PRESSURE TANKS
COMPRESSED AIR RECEIVERS
ACCESSORIES AND SPARE PARTS
TECHNICAL SUPPORT



CALORIFIERS FOR HEAT PUMP

EXTRA-BOLLY®
CALORIFIERS

BOLLYTERM®
CALORIFIERS

STAINLESS STEEL
CALORIFIERS

CALORIFIERS FOR
HEAT PUMP

MULTIFUEL ENERGY
CYLINDERS - PUFFER

HYDRONIC

INERTIAL
TANKS

WATER PRESSURE
TANKS

COMPRESSED AIR
RECEIVERS

ACCESSORIES
AND SPARE PARTS

TECHNICAL
SUPPORT

Calorifiers for HEAT PUMP

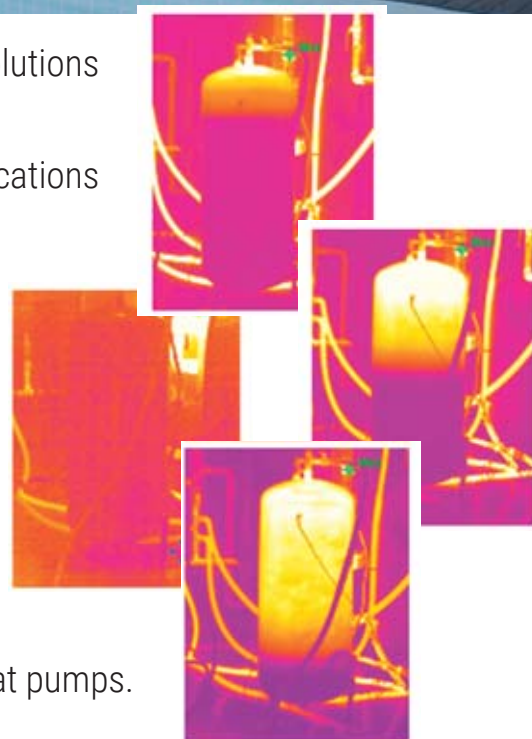


Cordivari Srl is constantly investing in the research of the best solutions for all innovative installations.

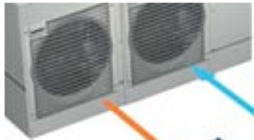
Heat pumps heating systems are among the most advanced applications in terms of efficiency, energy-saving and sustainability and the production of domestic hot water (DHW) is a crucial factor of the proper functioning of such installations.

Therefore a calorifier expressly conceived for heat pump systems is a key element in order to maximize the efficiency, the performances, the comfort of use while extending the generator lifecycle.

The need to fulfil all these new challenging applications has led to the extension of the range of Cordivari calorifiers for heat pumps.



NEW BOLLY® PDC RANGE



PATENTED HEAT-EXCHANGE MODULE

Bolly® PDC is the result of a continuous research aimed to develop a calorifier unique in its field. It is in fact the only patented system of thermal exchange actually on the market, specifically conceived for installation and heat pumps of latest generation.

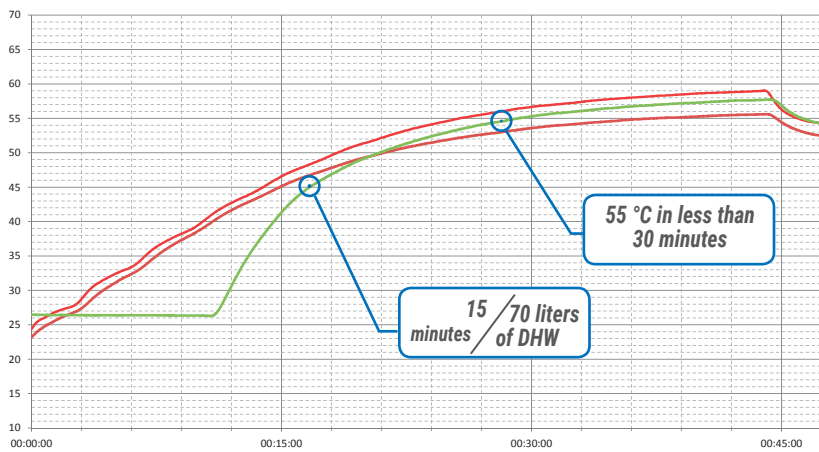
The exchange and stratification system is conceived to self-balance: only part of the heated water, proportionate to the temperature achieved during the thermal exchange, is inserted in the tank from the top. This way the water inserted in the upper part is at maximum desired temperature while fresh water coming from the lower part of the tank goes to the exchanger.

This leads to many advantages such as the increased efficiency of the heat pump C.o.p, the achievement of a perfect thermal stratification, that allows to profit immediately of the heated water. This also allows to heat only part of the tank reducing energy waste.

The innovative Bolly® PDC, combined with a heat pump and thanks to the new patented exchange group is able to guarantee 30% higher performances compared to a generic, traditional calorifier in terms of ignition time and thermal exchange efficiency.

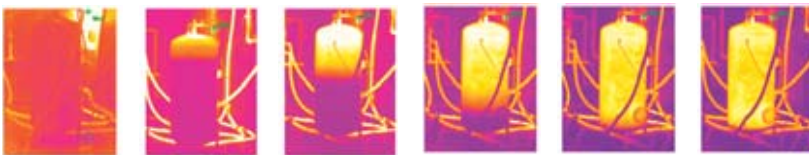
Laboratory tests and researches conducted on the stratification process confirm the use of Bolly® PDC in a heat pump installation means an increased comfort and about a 15% reduction of electric consumption while extending the generator lifecycle reducing its turning on/off.

500 l. Bolly PDC tank heating, connected to 12kW heat pump



— T1 HEAT PUMP — T2 HEAT PUMP — DHW Temperature

- 😊 -30% ignition time and consequent better efficiency of HP in heating/cooling phase.
- 😊 70 L. of DHW at 45° in just 15 minutes, with possibility to heat only the necessary required water volume.
- 😊 Optimizing the time necessary for the HP for heating and cooling the room.
- 😊 Energy produced by the HP will be concentrated in the upper part of the storage volume.

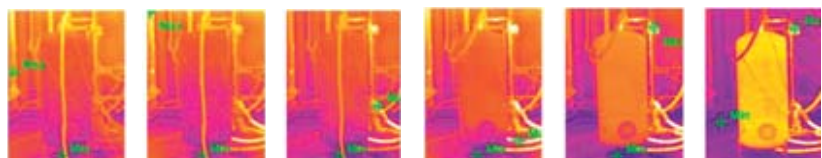
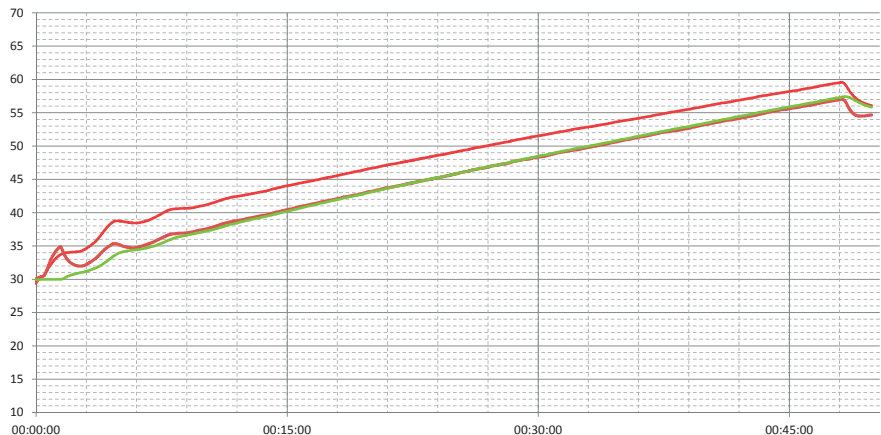


BOLLY® PDC
Upper loading and improved thermal stratification thanks to the patented heat exchanger group.

500 l. standard tank heating, connected to 12kW heat pump

— T1 HEAT PUMP — T2 HEAT PUMP — DHW Temperature

- 😞 Significantly longer ignition time.
- 😞 Lower DeltaT between primary circuit and storage temperature, with relevant efficiency decrease.
- 😞 General lower comfort on installation.
- 😞 Necessity to heat the complete volume of storage tank



Standard Calorifiers with no thermal stratification device needs always to be heated completely

EXTRA-BOLLY® CALORIFIERS
BOLLYTERM® CALORIFIERS
STAINLESS STEEL CALORIFIERS
CALORIFIERS FOR HEAT PUMP
MULTIFUEL ENERGY CYLINDERS - PUFFER
HYDRONIC
INERTIAL TANKS
WATER PRESSURE TANKS
COMPRESSED AIR RECEIVERS
ACCESSORIES AND SPARE PARTS
TECHNICAL SUPPORT





CALORIFIERS FOR HEAT PUMP RANGE



BOLLY® PDC



BOLLY® XL

Heat exchanger model	-Spiral fixed heat exchanger - Patented heat-exchange module	Spiral fixed heat exchanger
Number of heat exchangers		
Energy source		
Energy efficiency class	C	B-C
Insulation	Polyurethane hard foam	Polyurethane hard foam
Available range	300 ÷ 800	200 ÷ 500
Installation	floor standing	floor standing
Suggested Application	Heat pump and other energy source installations	Heat pump and other energy source installations



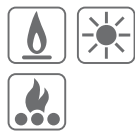
TERMOMAS® PDC



ECO-COMBI PDC

- MACS® module for DHW production

- Spiral fixed heat exchanger
- Corrugated 316L stainless steel pipe for D.H.W. production



C

C

Polyurethane hard foam

Polyurethane hard foam

300 ÷ 800

300 ÷ 800

floor standing

floor standing

Heat pump and other energy source installations

Heat pump and other energy source installations

EXTRA-BOLLY® CALORIFIERS

BOLLYTERM® CALORIFIERS

STAINLESS STEEL CALORIFIERS

CALORIFIERS FOR HEAT PUMP

MULTIFUEL ENERGY CYLINDERS - PUFFER

HYDRONIC

INERTIAL TANKS

WATER PRESSURE TANKS

COMPRESSED AIR RECEIVERS

ACCESSORIES AND SPARE PARTS

TECHNICAL SUPPORT

BOLLY® 1 PDC

POLYWARM® COATED DHW PRODUCTION TANK FOR HEAT PUMP



APPLICATION

Production and storage of domestic hot water.

MATERIAL

Mild steel Polywarm® coated (Attestation ACS - SSICA - DVGW - W270 - UBA - WRAS)

EXCHANGE MODULE

System equipped with exchanger at heat charge from the top.

INSULATION

High thermal insulation with ecological polyurethane hard foam. Grey PVC external lining

CATHODE PROTECTION

Magnesium anode.

DRAIN

External confluence through drain connection.

GASKET- FLANGE PLATE

Silicone gaskets suitable for alimentary use. Inspection flange plate

WARRANTY

5 years (tank)

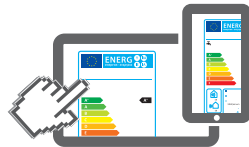
See general sales conditions and warranty for electrical parts.

ACCESSORIES AND SPARE PARTS

See Accessories section for the entire list.



HARD FOAM INSULATION



www.cordivari.com/erp

On line ErP label tool

BOLLY® 1 PDC WB

Model	HARD FOAM insulation Art. Nr.	Heat pump max output [kW]	ENERGY EFFICIENCY CLASS
			ErP
300	3105162320203	26	C
500	3105162320205	26	C
800	3105162320206	35	C



PATENTED EXCHANGE SYSTEM

-30% reduction of ignition time and mayor comfort in using the heat pump in heating and cooling systems

70lt of DHW in only 15 min, with the possibility of heating only the necessary water volume

No time is wasted for the heat pump in heating or cooling

Energy focused where needed: all the energy produced with the heat pump concentrated in the upper part of the tank.

Accessories on request

Thermometer

Art. Nr.
5032240000107
5 units box



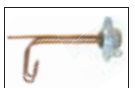
Titanium electronic anode

Art. Nr.	Model
5200000000008	300
5200000000009	500
5200000000011	800



Electrical immersion heaters

Art. Nr.	Output [kW]
5221000000064	2



Antilegionellosis kit

Art. Nr.	Electrical immersion heater + EASY CONTROL electronic display
5221000000065	

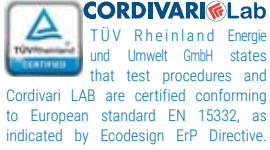


BOLLY® 1 PDC

POLYWARM® COATED DHW PRODUCTION TANK FOR HEAT PUMP

STORAGE EXCHANGE MODULE

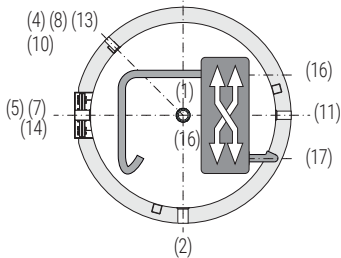
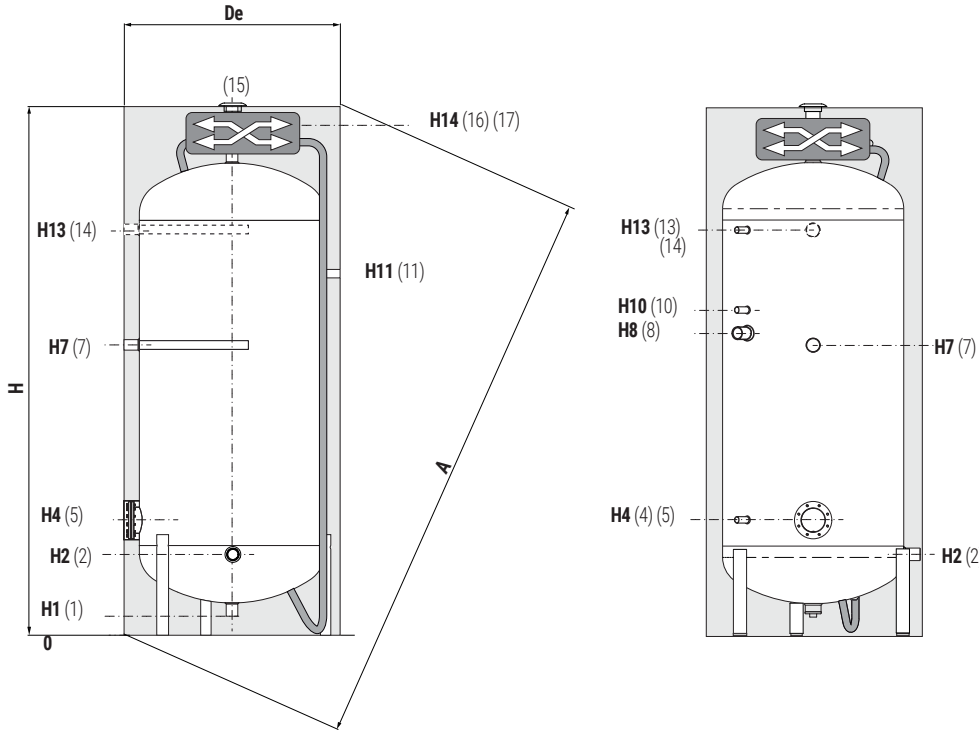
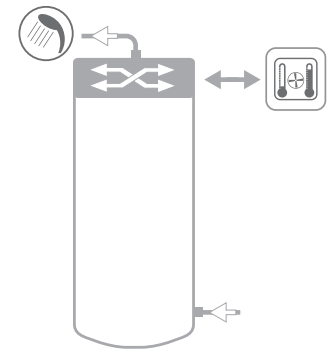
Pmax	Tmax	Pmax	Tmax
10 bar	90 °C	10 bar	110 °C



ASK ALWAYS FOR CERTIFIED LABORATORIES DATA RESULTS



ASK ALWAYS FOR CERTIFIED LABORATORIES DATA RESULTS



1	Drain	11	Recirculation 1" Gas F
2	Domestic cold water circuit inlet 1" Gas F	13	Connection for instrumentation 1/2" Gas F
4	Connection for instrumentation 1/2" Gas F	14	Connection for 2 nd anode 1"1/4 Gas F (≥ 800.)
5	Blind flange for inspection	15	Domestic hot water outlet 1"1/4 Gas F
7	Connection for magnesium anode 1"1/4 Gas F	16	Primary circuit inlet 1" Gas M
8	Connection for electrical immersion	17	Primary circuit outlet 1" Gas M

Model	Volume [lt]	De	H	A	H1	H2	H4	H7
300	291	650	1680	1800	71	246	381	871
500	497	750	1970	2110	71	266	406	1071
800	789	900	2360	2530	101	343	483	1243

Model	H8	H10	H11	H13	H14	Connections Gas F		
						1	5	8
300	931	1076	1101	1221	1525	1"1/4	Øi 120	1"1/2
500	1139	1291	1326	1471	1812	1"1/4	Øi 120	1"1/2
800	1308	1573	1598	1788	2196	3/4"	Øi 160	2"

P.E.D. product designed and produced in conformity to the article 4.3 of directive 2014/68/UE - ErP Ecodesign directive 2009/125/CE

EXTRA-BOLLY® CALORIFIERS
BOLLYTERM® CALORIFIERS
STAINLESS STEEL CALORIFIERS
CALORIFIERS FOR HEAT PUMP
MULTIFUEL ENERGY CYLINDERS - PUFFER
HYDRONIC
INERTIAL TANKS
WATER PRESSURE TANKS
COMPRESSED AIR RECEIVERS
ACCESSORIES AND SPARE PARTS
TECHNICAL SUPPORT

BOLLY® 2 PDC

POLYWARM® COATED DHW PRODUCTION TANK FOR HEAT PUMP
WITH 1 HEAT EXCHANGER



APPLICATION

Production and storage of domestic hot water.

MATERIAL

Mild steel Polywarm® coated (Attestation ACS - SSICA - DVGW - W270 - UBA - WRAS)

EXCHANGE MODULE

System equipped with exchanger at heat charge from the top.

HEAT EXCHANGER

1 Polywarm® coated fixed heat exchanger

INSULATION

High thermal insulation with ecological polyurethane hard foam.
Grey PVC external lining

CATHODE PROTECTION

Magnesium anode.

DRAIN

External confluence through drain connection.

GASKET- FLANGE PLATE

Silicone gaskets suitable for alimentary use. Inspection flange plate

WARRANTY

5 years (tank)

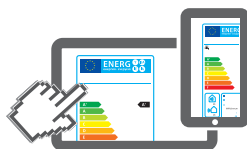
See general sales conditions and warranty for electrical parts.

ACCESSORIES AND SPARE PARTS

See Accessories section for the entire list.



HARD FOAM INSULATION



www.cordivari.com/erp

On line ErP label tool

BOLLY® 2 PDC WB

Model	HARD FOAM insulation Art. Nr.	Heat pump max output [kW]	HEAT EXCHANGER SURFACE [m ²]	ENERGY EFFICIENCY CLASS
300	3135162320403	26	1,2	C
500	3135162320405	26	1,8	C
800	3135162320406	35	2,7	C



PATENTED EXCHANGE SYSTEM

-30% reduction of ignition time and mayor comfort in using the heat pump in heating and cooling systems

70lt of DHW in only 15 min, with the possibility of heating only the necessary water volume

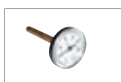
No time is wasted for the heat pump in heating or cooling

Energy focused where needed: all the energy produced with the heat pump concentrated in the upper part of the tank.

Accessories on request

Thermometer

Art. Nr.
5032240000107
5 units box



Titanium electronic anode

Art. Nr.	Model
5200000000008	300
5200000000009	500
5200000000011	800



Electrical immersion

Art. Nr.	Output [kW]
5221000000064	2



Antilegionellosis kit

Art. Nr.	Electrical immersion heater + EASY CONTROL electronic display
5221000000065	

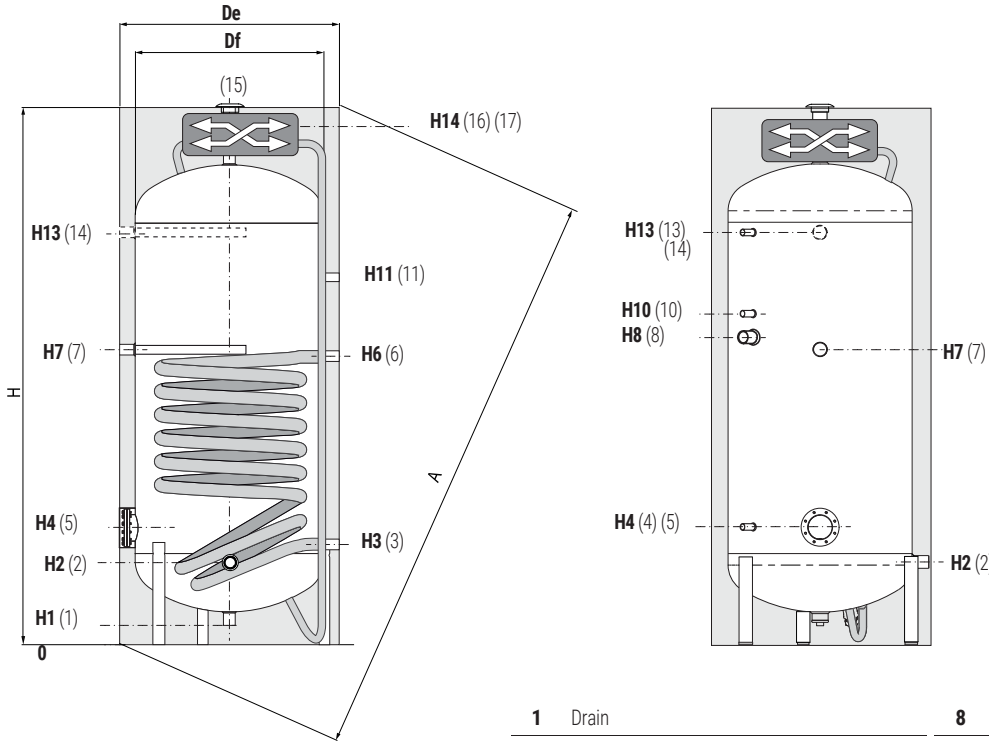
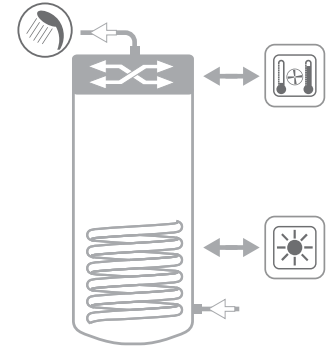


BOLLY® 2 PDC

POLYWARM® COATED DHW PRODUCTION TANK FOR HEAT PUMP
WITH 1 HEAT EXCHANGER

STORAGE		EXCHANGE MODULE		FIXED HEAT EXCHANGER	
Pmax	Tmax	Pmax	Tmax	Pmax	Tmax
10 bar	90 °C	10 bar	110 °C	12 bar	110 °C

CORDEVARI Lab
TÜV Rheinland Energie und Umwelt GmbH states that test procedures and Cordivari LAB are certified conforming to European standard EN 15332, as indicated by Ecodesign ErP Directive.



- | | |
|---|---|
| 1 Drain | 8 Connection for electrical immersion |
| 2 Domestic cold water circuit inlet 1" Gas F | 11 Recirculation 1" Gas F |
| 3 Heat exchanger outlet | 13 Connection for instrumentation 1/2" Gas F |
| 4 Connection for instrumentation 1/2" Gas F | 14 Connection for 2 nd anode 1 1/4 Gas F (≥ 800.) |
| 5 Blind flange for inspection | 15 Domestic hot water outlet 1 1/4 Gas F |
| 6 Heat exchanger inlet | 16 Heat exchanger inlet 1" Gas M |
| 7 Connection for magnesium anode 1 1/4 Gas F | 17 Heat exchanger outlet 1" Gas M |

Model	Volume [lt]	De	H	A	H1	H2	H3	H4	H6	H7
300	291	650	1680	1800	71	246	311	381	832	871
500	497	750	1970	2110	71	266	341	406	1031	1071
800	789	900	2360	2530	101	343	428	483	1181	1243

Model	H8	H10	H11	H13	H14	Connections Gas F			
						1	5	8	3 - 6
300	931	1076	1101	1221	1522	1 1/4	Øi 120	1 1/2	1"
500	1139	1291	1326	1471	1812	1 1/4	Øi 120	1 1/2	1"
800	1308	1573	1598	1788	2196	3/4"	Øi 160	2"	1 1/4

P.E.D. product designed and produced in conformity to the article 4.3 of directive 2014/68/UE - ErP Ecodesign directive 2009/125/CE

EXTRA-BOLLY® CALORIFIERS

BOLLYTERM® CALORIFIERS

STAINLESS STEEL CALORIFIERS

CALORIFIERS FOR HEAT PUMP

MULTIFUEL ENERGY CYLINDERS - PUFFER

HYDRONIC

INERTIAL TANKS

WATER PRESSURE TANKS

COMPRESSED AIR RECEIVERS

ACCESSORIES AND SPARE PARTS

TECHNICAL SUPPORT

BOLLY® 3 PDC

POLYWARM® COATED DHW PRODUCTION TANK FOR HEAT PUMP
WITH 2 HEAT EXCHANGERS



APPLICATION

Production and storage of domestic hot water.

MATERIAL

Mild steel Polywarm® coated (Attestation ACS - SSICA - DVGW - W270 - UBA - WRAS)

EXCHANGE MODULE

System equipped with exchanger at heat charge from the top.

HEAT EXCHANGERS

2 Polywarm® coated fixed heat exchangers

INSULATION

High thermal insulation with ecological polyurethane hard foam.
Grey PVC external lining

CATHODE PROTECTION

Magnesium anode.

DRAIN

External confluence through drain connection.

GASKET- FLANGE PLATE

Silicone gaskets suitable for alimentary use. Inspection flange plate

WARRANTY

5 years (tank)

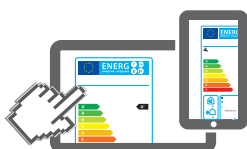
See general sales conditions and warranty for electrical parts.

ACCESSORIES AND SPARE PARTS

See Accessories section for the entire list.




HARD FOAM INSULATION



www.cordivari.com/erp

On line ErP label tool

BOLLY® 3 PDC WB

Model	HARD FOAM insulation Art. Nr.	Heat pump max output [kW]	HEAT EXCHANGER SURFACE		ENERGY EFFICIENCY CLASS 
			Upper	Lower	
300	3135162320452	26	0,7	1,2	C
500	3135162320453	26	1,2	1,8	C



PATENTED EXCHANGE SYSTEM

-30% reduction of ignition time and mayor comfort in using the heat pump in heating and cooling systems

70lt of DHW in only 15 min, with the possibility of heating only the necessary water volume

No time is wasted for the heat pump in heating or cooling

Energy focused where needed: all the energy produced with the heat pump concentrated in the upper part of the tank.

— Accessories on request —

Thermometer

Art. Nr.
5032240000107
5 units box



Titanium electronic anode

Art. Nr.	Model
5200000000008	300
5200000000009	500



Electrical immersion

Art. Nr.	Output [kW]
5221000000064	2



Antilegionellosis kit

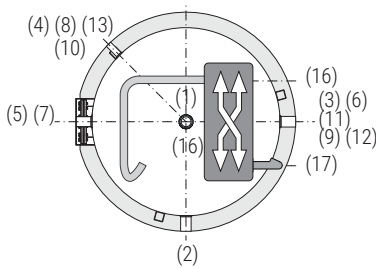
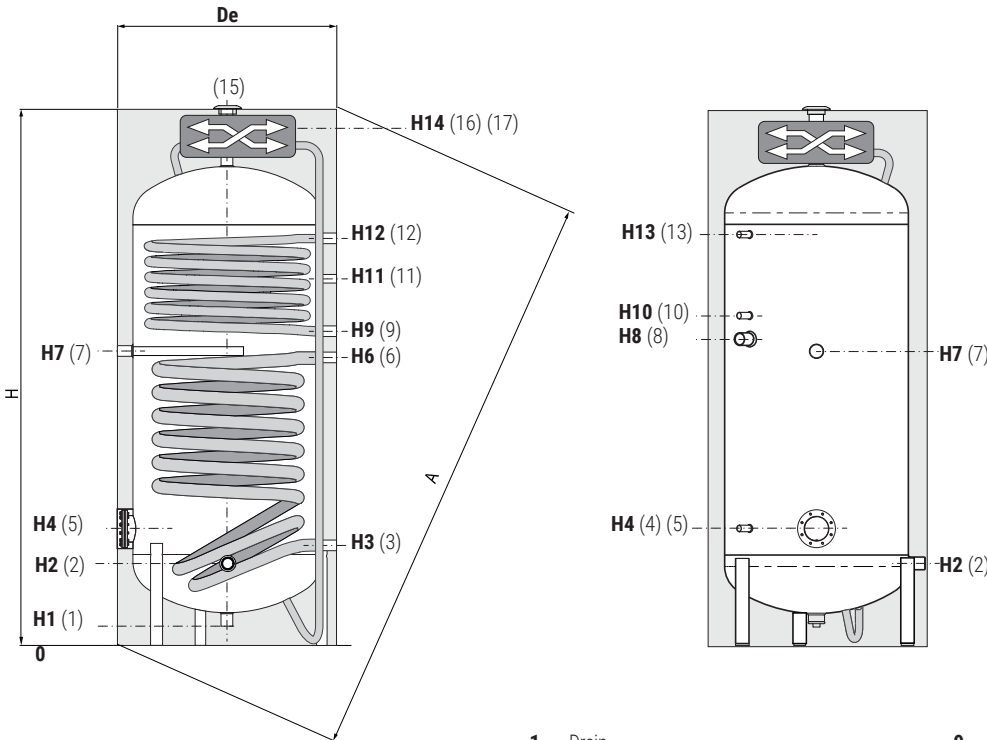
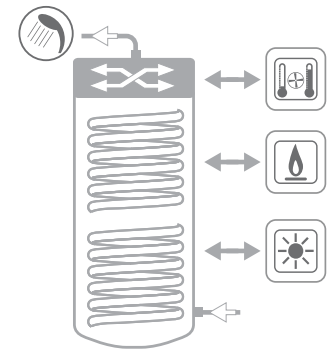
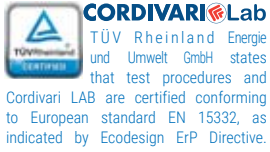
Art. Nr.	Electrical immersion heater + EASY CONTROL electronic display
5221000000065	



BOLLY® 3 PDC

POLYWARM® COATED DHW PRODUCTION TANK FOR HEAT PUMP
WITH 2 HEAT EXCHANGERS

STORAGE		EXCHANGE MODULE		FIXED HEAT EXCHANGER	
Pmax	Tmax	Pmax	Tmax	Pmax	Tmax
10 bar	90 °C	10 bar	110 °C	12 bar	110 °C



- | | |
|---|---|
| 1 Drain | 9 Upper heat exchanger outlet |
| 2 Domestic cold water circuit inlet 1" Gas F | 10 Connection for instrumentation 1/2" Gas F |
| 3 Primary circuit outlet | 11 Recirculation 1" Gas F |
| 4 Connection for instrumentation 1/2" Gas F | 12 Upper heat exchanger inlet |
| 5 Blind flange for inspection | 13 Connection for instrumentation 1/2" Gas F |
| 6 Primary circuit inlet | 15 Domestic hot water outlet 1 1/4 Gas F |
| 7 Connection for magnesium anode 1 1/4 Gas F | 16 Primary circuit inlet 1" Gas M |
| 8 Connection for electrical immersion | 17 Primary circuit outlet 1" Gas M |

Model	Volume [litres]	De	H	A	H1	H2	H3	H4	H6	H7	H8
300	291	650	1680	1800	71	243	311	381	832	871	931
500	497	750	1970	2110	71	266	341	406	1031	1071	1139

Model	H9	H10	H11	H12	H13	H14	Connections Gas F			
							1	5	8	3 - 6 9 - 12
300	981	1076	1101	1221	1221	1522	1" 1/4	Øi 120	1" 1/2	1"
500	1181	1291	1326	1471	1471	1812	1" 1/4	Øi 120	1" 1/2	1"

P.E.D. product designed and produced in conformity to the article 4.3 of directive 2014/68/UE - ErP Ecodesign directive 2009/125/CE

EXTRA-BOLLY® CALORIFIERS
BOLLYTERM® CALORIFIERS
STAINLESS STEEL CALORIFIERS
CALORIFIERS FOR HEAT PUMP
MULTIFUEL ENERGY CYLINDERS - PUFFER
HYDRONIC
INERTIAL TANKS
WATER PRESSURE TANKS
COMPRESSED AIR RECEIVERS
ACCESSORIES AND SPARE PARTS
TECHNICAL SUPPORT

BOLLY® XL

POLYWARM® COATED CALORIFIERS WITH 1 FIXED HEAT EXCHANGER



APPLICATION

Production and storage of domestic hot water.

MATERIAL

Mild steel Polywarm® coated (Attestation ACS - SSICA - DVGW - W270 - UBA - WRAS)

HEAT EXCHANGER

Polywarm® coated fixed heat exchanger.

INSULATION

High thermal insulation with ecological polyurethane hard foam.

Grey PVC external lining

CATHODE PROTECTION

Magnesium anode.

DRAIN

External confluence through drain connection.

GASKET- FLANGE PLATE

Silicone gaskets suitable for alimentary use for max temperature up to 200°C. Mild steel inspection flange plate with Polywarm® treatment and connection for electrical immersion heater.

WARRANTY

5 years - See general sales conditions and warranty

ACCESSORIES AND SPARE PARTS : See Accessories section for the entire list.

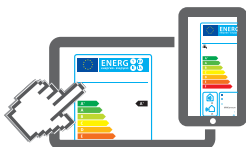


HARD FOAM INSULATION

BOLLY® XL WB

HEAT EXCHANGER SURFACE ENERGY EFFICIENCY CLASS

Model	HARD FOAM insulation Art. Nr.	[m ²]	ErP
200	3105162320702	2	B
300	3105162320703	3,4	C
400	3105162320706	4,4	C
500	3105162320705	5,4	C



www.cordivari.com/erp

On line ErP label tool

ELECTRICAL IMMERSION HEATERS

MONOPHASE

Mod.	Volume of water heated by the electrical immersion [lt]	1,5 kW	2 kW	3 kW
		5240000000051	5240000000052	5240000000053
Ignition time from 10 °C to 45 °C with immersion heaters [min]				
200	166	298	223	149
300	245	439	329	219
400	354	634	476	317
500	424	759	569	380

Accessories on request

"Easy Control" Electronic Display

ART. NR.
5005000310003



Thermometer

Art. Nr.
5032240000107
5 units box



Titanium electronic anode

Art. Nr.	Model
5200000000008	200, 300, 400
5200000000009	500



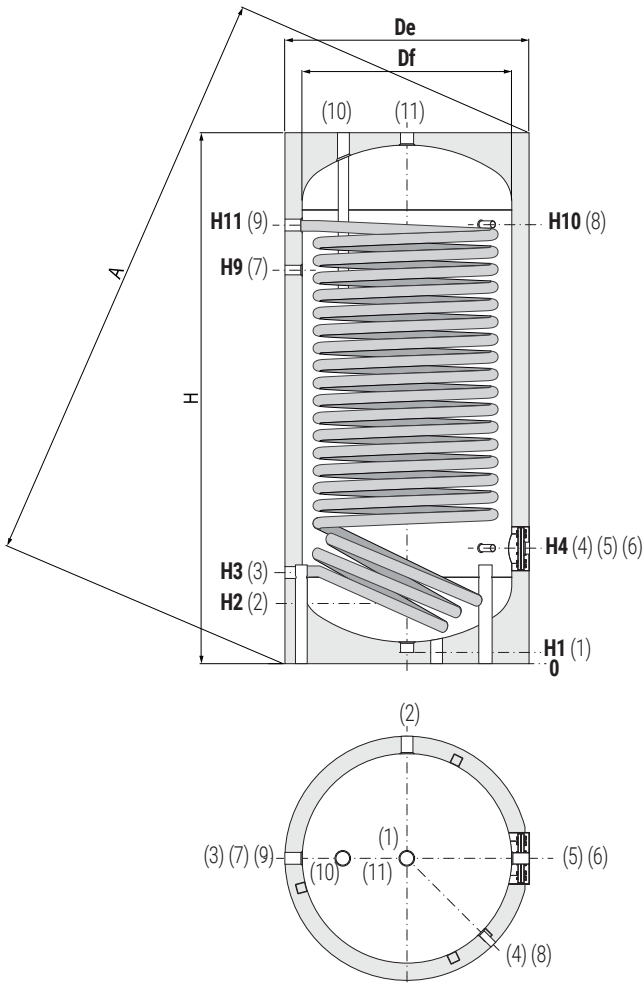
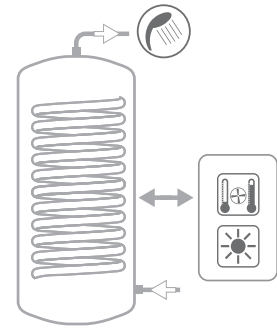
BOLLY® XL

POLYWARM® COATED CALORIFIERS WITH 1 FIXED HEAT EXCHANGER

STORAGE		HEAT EXCHANGER	
Pmax	Tmax	Pmax	Tmax
10 bar	90 °C	12 bar	110 °C



CORDIVARI Lab
TÜV Rheinland Energie und Umwelt GmbH states that test procedures and Cordivari LAB are certified conforming to European standard EN 15332, as indicated by Ecodesign ErP Directive.



- | | |
|----|---|
| 1 | Drain 1"1/4 Gas F |
| 2 | Domestic cold water circuit inlet |
| 3 | Primary circuit outlet |
| 4 | Connection for instrumentation 1/2" Gas F |
| 5 | Blind flange for inspection Øi 120 mm |
| 6 | Connection for electrical immersion 1"1/2 Gas F |
| 7 | Recirculation |
| 8 | Connection for instrumentation 1/2" Gas F |
| 9 | Primary circuit inlet |
| 10 | Connection for magnesium anode 1"1/4 Gas F |
| 11 | Domestic hot water outlet 1"1/4 Gas F |

Model	Volume	De	H	A	H1	H2
	[litres]					
200	189	550	1440	1541	71	220
300	291	650	1492	1627	71	246
400	422	700	1766	1900	71	261
500	498	750	1792	1943	71	271

Model	H3	H4	H9	H10	H11	Connections Gas F	
	[mm]					2 - 7	3 - 9
200	285	325	1055	1190	1190	3/4"	1" 1/4
300	321	381	1091	1211	1211	1"	1" 1/4
400	336	396	1316	1471	1471	1"	1" 1/4
500	346	411	1326	1486	1486	1"	1" 1/4

P.E.D. product designed and produced in conformity to the article 4.3 of directive 2014/68/UE - ErP Ecodesign directive 2009/125/CE

EXTRA-BOLLY® CALORIFIERS

BOLLYTERM® CALORIFIERS

STAINLESS STEEL CALORIFIERS

CALORIFIERS FOR HEAT PUMP

MULTIFUEL ENERGY CYLINDERS - PUFFER

HYDRONIC

INERTIAL TANKS

WATER PRESSURE TANKS

COMPRESSED AIR RECEIVERS

ACCESSORIES AND SPARE PARTS

TECHNICAL SUPPORT

TERMOMAS® 1 PDC

HEATING WATER BUFFER TANK FOR HEAT PUMP WITH MACS® MODULE
FOR IMMEDIATE DHW PRODUCTION



APPLICATION

Heating water storage and immediate Domestic Hot Water (DHW) production at high flow rate and performance. Primary storage temperatures can be rather low.

TECHNICAL DESCRIPTION

Expressly designed to be connected to heat pump, Termomas PDC models have the following advantages:

- easy maintenance
- maximum hygiene for anti-legionellosis bacteria
- more DHW production at low primary storage temperatures
- heating water storage optimization.

MATERIAL

Mild steel outside painted. There is no need of any anti-corrosion treatment due to the fact that the buffer is in a closed circuit without any adding air.

D.H.W. HEAT EXCHANGER

Plate to plate stainless steel exchanger in external MACS® module for immediate D.H.W. production.

INSULATION

Buffer tank: High thermal insulation with ecological polyurethane hard foam.

MACS® Module: insulating PPE cover.

Grey PVC external lining

WARRANTY

5 years (tank)

See general sales conditions and warranty for electrical parts.

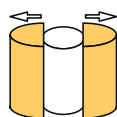
ACCESSORIES AND SPARE PARTS

See Accessories section for the entire list.

HARD FOAM INSULATION



PATENTED

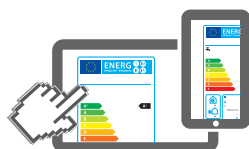


TERMOMAS® 1 PDC VB

Model	HARD FOAM insulation Art. Nr.	Heat pump max output [kW]	SLB heat exchanger model / plates nr.	ENERGY EFFICIENCY CLASS
300	3251162284262	26	SLB40 / 40	C
500	3251162284263	26	SLB40 / 40	C

Model	DISMOUNTABLE HARD FOAM insulation Art. Nr.	Heat pump max output [kW]	SLB heat exchanger model / plates nr.	ENERGY EFFICIENCY CLASS
800	3251162284265	35	SLB40 / 40	C

P.E.D. product designed and produced in conformity to the article 4.3 of directive 2014/68/UE - ErP Ecodesign directive 2009/125/CE



www.cordivari.com/erp

On line ErP label tool

Model	DHW Station max output (*) [kW]	DHW Station max flow rate (*) [l/min]	Max DHW availability (10-45°C) with storage at 55°C [litres]
300		50	334
500	120	50	557
800		50	891

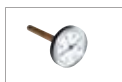
(*)Data obtained under the following conditions:

- Primary water at 80°C
- DHW production from 10°C to 45°C.

Accessories on request

Thermometer

Art. Nr.
5032240000107
5 units box



Recirculation kit

Art. Nr.
5221000000054
Control display + pump (for D.H.W.)



TERMOMAS® 1 PDC

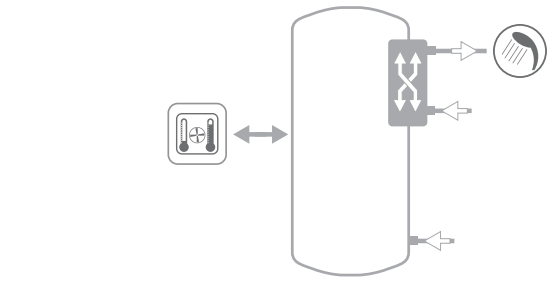
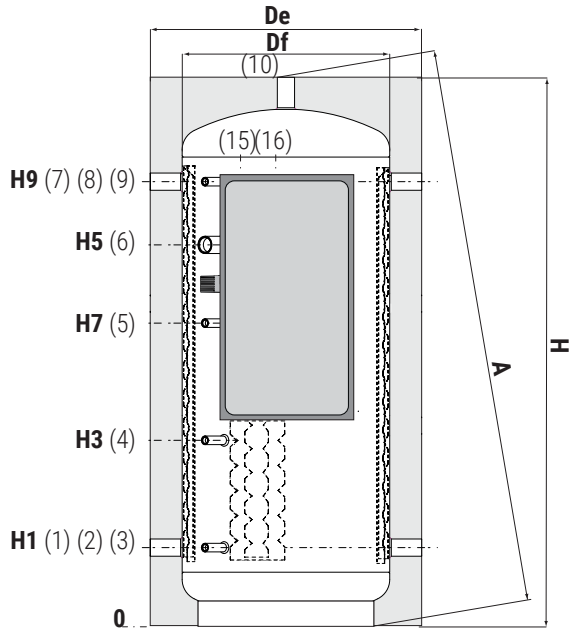
HEATING WATER BUFFER TANK FOR HEAT PUMP WITH MACS® MODULE
FOR IMMEDIATE DHW PRODUCTION

STORAGE		INOX PLATE HEAT EXCHANGER (MACS®)	D.H.W. HARDNESS	
Pmax	Tmax	Pmax	Tmax	F max
3 bar	99 °C	6 bar	99 °C	30 °f

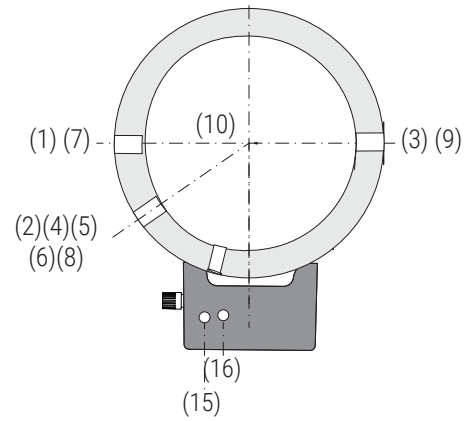
CORDIVARI® Lab
TÜV Rheinland Energie
und Umwelt GmbH states
that test procedures and
Cordivari LAB are certified conforming
to European standard EN 15332, as
indicated by Ecodesign ErP Directive.



ASK ALWAYS FOR
CERTIFIED LABORATORIES
DATA RESULTS



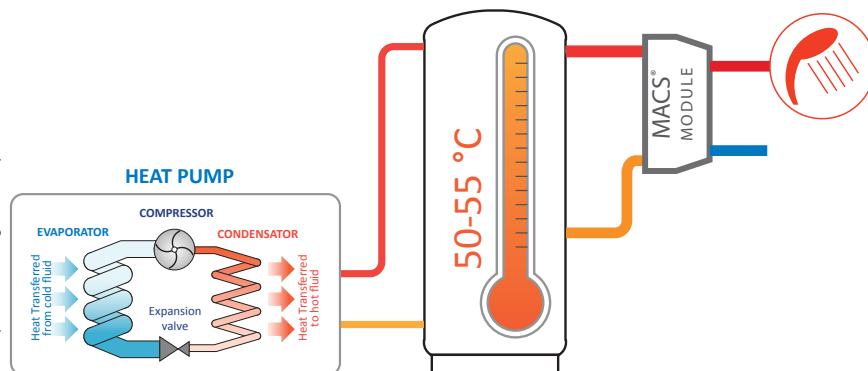
- 1-3** Heating return / To Generator 1"1/2 Gas F
- 2-4-5-8** Connection for instrumentation 1/2" Gas F
- 6** Electrical immersion 1"1/2 Gas F
- 7-9** Heating return Heating delivery 1"1/2 Gas F
- 10** Heating delivery 1"1/2 Gas F
- 15** Domestic hot water inlet 1" GAS M
- 16** Domestic hot water outlet (ACS) 1" GAS M



Model	Volume [litres]	Weight [Kg]	De	H	A	[mm]				
						H1	H3	H5	H7	H9
300	286	106	650	1310	1344	232	425	855	625	1048
500	478	126	650	1619	1666	247	583	1124	841	1343
800	803	152	950	1838	1885	265	613	1338	1038	1541

EXPRESSLY DESIGNED FOR HEAT PUMP

DHW PRODUCTION MAXIMIZATION COMBINED WITH HEAT PUMP GENERATOR



Thanks to heating water storage optimization and MACS® modules design, TERMOMAS® PDC buffers allow a high efficiency in DHW production at low storage temperature, as peculiar for heat pumps.

P.E.D. product designed and produced in conformity to the article 4.3 of directive 2014/68/UE - ErP Ecodesign directive 2009/125/CE

TERMOMAS® 3 PDC

HEATING WATER BUFFER TANK FOR HEAT PUMP WITH MACS® MODULE
FOR IMMEDIATE DHW PRODUCTION AND 2 FIXED HEAT EXCHANGERS



APPLICATION

Heating water storage and immediate Domestic Hot Water (DHW) production at high flow rate and performance. Primary storage temperatures can be rather low.

TECHNICAL DESCRIPTION

Expressly designed to be connected to heat pump, Termomas PDC models have the following advantages:

- easy maintenance
- maximum hygiene for anti-legionellosis bacteria
- more DHW production at low primary storage temperatures
- heating water storage optimization.

MATERIAL

Mild steel outside painted. There is no need of any anti-corrosion treatment due to the fact that the buffer is in a closed circuit without any adding air.

D.H.W. HEAT EXCHANGER

Plate to plate stainless steel exchanger in external MACS® module for immediate D.H.W. production.

HEATING WATER HEAT EXCHANGER

The buffer tank is equipped with 2 mild steel fixed heat exchangers to integrate other energy sources such as solar system or traditional boiler, in addition to heat pump.

INSULATION

Buffer tank: High thermal insulation with ecological polyurethane hard foam.

MACS® Module: insulating PPE cover.
Grey PVC external lining

WARRANTY

5 years (tank)

See general sales conditions and warranty for electrical parts.

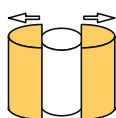
ACCESSORIES AND SPARE PARTS

See Accessories section for the entire list.

HARD FOAM INSULATION



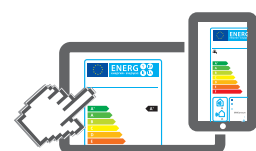
PATENTED



TERMOMAS® 3 PDC

Model	HARD FOAM insulation Art. Nr.	Heat pump max output [kW]	HEAT EXCHANGER SURFACE		SLB heat exchanger model / plates nr.	ENERGY EFFICIENCY CLASS
			Upper	Lower		
300	3251162284362	26	0,7	1,2	SLB40 / 40	C
500	3251162284363	26	1	3	SLB40 / 40	C

Model	DISMOUNTABLE HARD FOAM insulation Art. Nr.	Heat pump max output [kW]	Upper	Lower	SLB heat exchanger model / plates nr.	ENERGY EFFICIENCY CLASS



www.cordivari.com/erp

On line ErP label tool

Model	DHW Station max output (*)	DHW Station max flow rate (*)	Max DHW availability (10-45°C) with storage at 55°C
	[kW]	[l/min]	[litres]
300		50	334
500	120	50	557
800		50	891

(*)Data obtained under the following conditions:

- Primary water at 80°C
- DHW production from 10°C to 45°C.

Accessories on request

Thermometer

Art. Nr.
5032240000107
5 units box



Recirculation kit

Art. Nr.
5221000000054
Control display + pump (for D.H.W.)

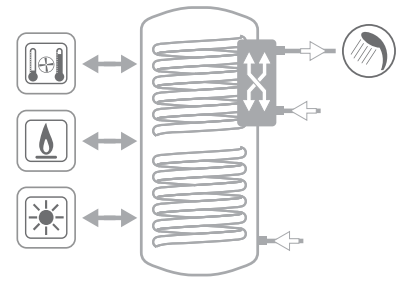


TERMOMAS® 3 PDC

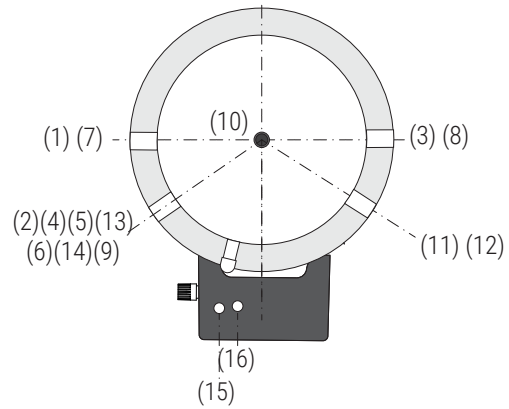
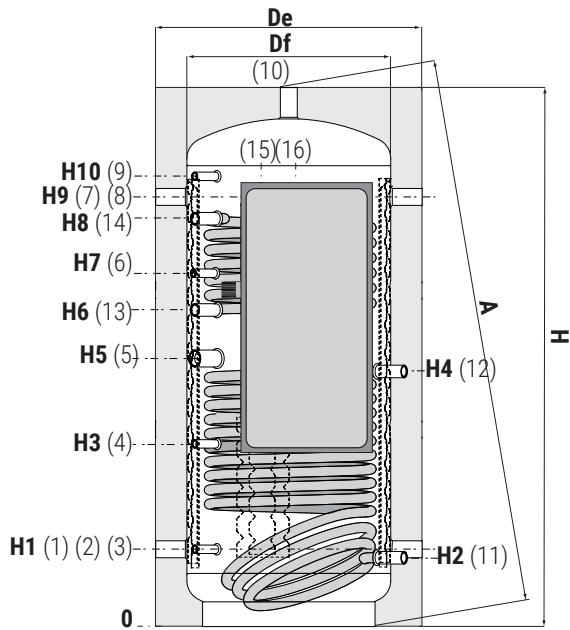
HEATING WATER BUFFER TANK FOR HEAT PUMP WITH MACS® MODULE FOR IMMEDIATE DHW PRODUCTION AND 2 FIXED HEAT EXCHANGERS

STORAGE		INOX PLATE HEAT EXCHANGER (MACS®)	D.H.W. HARDNESS
Pmax	Tmax	Pmax	Tmax
3 bar	99 °C	6 bar	99 °C
			30 °f

CORDIVARI Lab
TÜV Rheinland Energie und Umwelt GmbH states that test procedures and Cordivari LAB are certified conforming to European standard EN 15332, as indicated by Ecodesign ErP Directive.



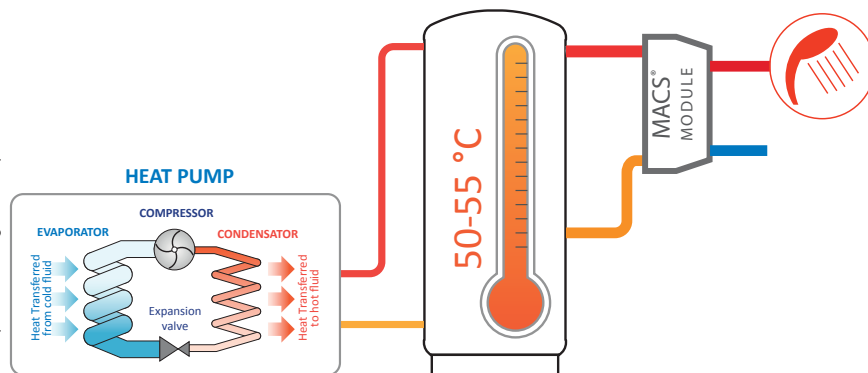
- 1-3** Heating return / To Generator 1"1/2 Gas F
- 2-4-5-8** Connection for instrumentation 1/2" Gas F
- 6** Electrical immersion 1"1/2 Gas F
- 7-9** Heating return Heating delivery 1"1/2 Gas F
- 10** Heating delivery 1"1/2 Gas F
- 15** Domestic hot water inlet 1" GAS M
- 16** Domestic hot water outlet (ACS) 1" GAS M



Model	Volume	Weight	Df	De	H	A	H1	H2	H3	H4	H5	H6	H7	H8	H9	H10
	[litres]	[Kg]														
300	278	106	550	650	1310	1344	232	195	425	604	645	762	870	1002	1048	1085
500	456	162	650	750	1669	1666	247	260	583	854	904	1010	1124	1301	1393	1430
800	775	205	790	950	1836	1885	265	265	613	749	898	1020	1138	1346,5	1541	1578

EXPRESSLY DESIGNED FOR HEAT PUMP

DHW PRODUCTION MAXIMIZATION COMBINED WITH HEAT PUMP GENERATOR



Thanks to heating water storage optimization and MACS® modules design, TERMOMAS® PDC buffers allow a high efficiency in DHW production at low storage temperature, as peculiar for heat pumps.

P.E.D. product designed and produced in conformity to the article 4.3 of directive 2014/68/UE - ErP Ecodesign directive 2009/125/CE

EXTRA-BOLLY® CALORIFIERS
BOLLYTERM® CALORIFIERS
STAINLESS STEEL CALORIFIERS
CALORIFIERS FOR HEAT PUMP
MULTIFUEL ENERGY CYLINDERS - PUFFER
HYDRONIC
INERTIAL TANKS
WATER PRESSURE TANKS
COMPRESSED AIR RECEIVERS
ACCESSORIES AND SPARE PARTS
TECHNICAL SUPPORT

TERMOMAS® PDC - OUTPUT AND PERFORMANCES

PERFORMANCES DURING DHW PRODUCTION PHASE

Q = Flow rate collection in litres per minute
P = Power in kW of the connected heat pump
V = Max quantity of DHW production under expressed conditions
 EXIT TEMPERATURE Secondary 42,6 °C

Model		P = 0 kW		P = 5 kW		P = 10 kW		P = 15 kW		P = 20 kW		P = 25 kW	
		Q [l/min]	V [l]	Q [l/min]	V [l]	Q [l/min]	V [l]	Q [l/min]	V [l]	Q [l/min]	V [l]	Q [l/min]	V [l]
300	DHW 10°C/45°C	10	334	10	420	10	565	10	865	10	1845	10	continuous
	Storage initial T	20	334	20	372	20	420	20	482	20	565	20	684
	55°C	26,3	334	26,3	362	26,3	395	26,3	435	26,3	485	26,3	547
	DHW 10°C/45°C	10	264	10	331	10	447	10	684	10	684	10	continuous
	Storage initial T	20	264	20	294	20	331	20	381	20	381	20	540
	50°C	21	264	21	292	21	327	21	373	21	373	21	515

Model		P = 0 kW		P = 15 kW		P = 20 kW		P = 25 kW		P = 30 kW		P = 35 kW	
		Q [l/min]	V [l]	Q [l/min]	V [l]	Q [l/min]	V [l]	Q [l/min]	V [l]	Q [l/min]	V [l]	Q [l/min]	V [l]
500	DHW 10°C/45°C	10	557	10	1444	10	3078	10	continuous	10	continuous	10	continuous
	Storage initial T	20	557	20	803	20	943	20	1141	20	1444	20	1966
	55°C	26,3	557	26,3	726	26,3	808	26,3	912	26,3	1045	26,3	1224
	DHW 10°C/45°C	10	441	10	1143	10	2437	10	continuous	10	continuous	10	continuous
	Storage initial T	20	441	20	636	20	746	20	903	20	1143	20	1556
	50°C	21	441	21	623	21	722	21	860	21	1062	21	1389

Model		P = 0 kW		P = 15 kW		P = 20 kW		P = 25 kW		P = 30 kW		P = 35 kW	
		Q [l/min]	V [l]	Q [l/min]	V [l]	Q [l/min]	V [l]	Q [l/min]	V [l]	Q [l/min]	V [l]	Q [l/min]	V [l]
800	DHW 10°C/45°C	10	891	10	2310	10	4923	10	continuous	10	continuous	10	continuous
	Storage initial T	20	891	20	1285	20	1508	20	1825	20	2310	20	3144
	55°C	26,3	891	26,3	1162	26,3	1293	26,3	1458	26,3	1672	26,3	1958
	DHW 10°C/45°C	10	705	10	1827	10	3896	10	continuous	10	continuous	10	continuous
	Storage initial T	20	705	20	1017	20	1193	20	1444	20	1827	20	2488
	50°C	21	705	21	996	21	1155	21	1375	21	1698	21	2220

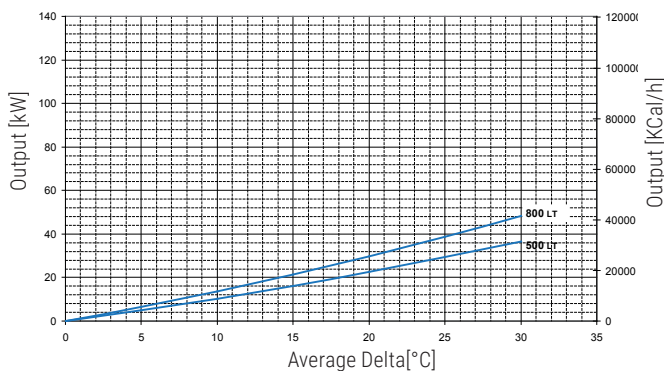
DHW collection data are meant for use with one heat pump connected to the storage, without considering possible contribution of other energy sources.

HEAT EXCHANGER POWER - TERMOMAS 2 PDC

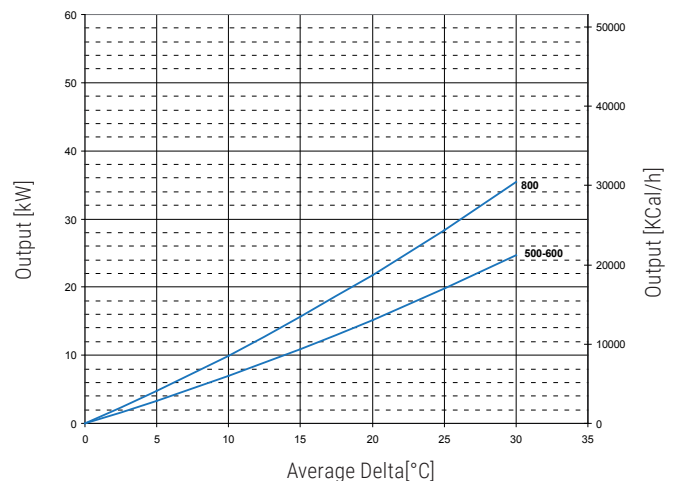
Termomas 2 heat exchangers exchanged power according to average Delta T between primary and storage (flow rate of 3 m³/h circulating in the exchanger)

Exchangeable thermal powers are expressed both in kW and Kcal/h according to the average temperature difference between primary and secondary, having a primary flow rate of 3 m³/h.

LOWER HEAT EXCHANGER



UPPER HEAT EXCHANGER

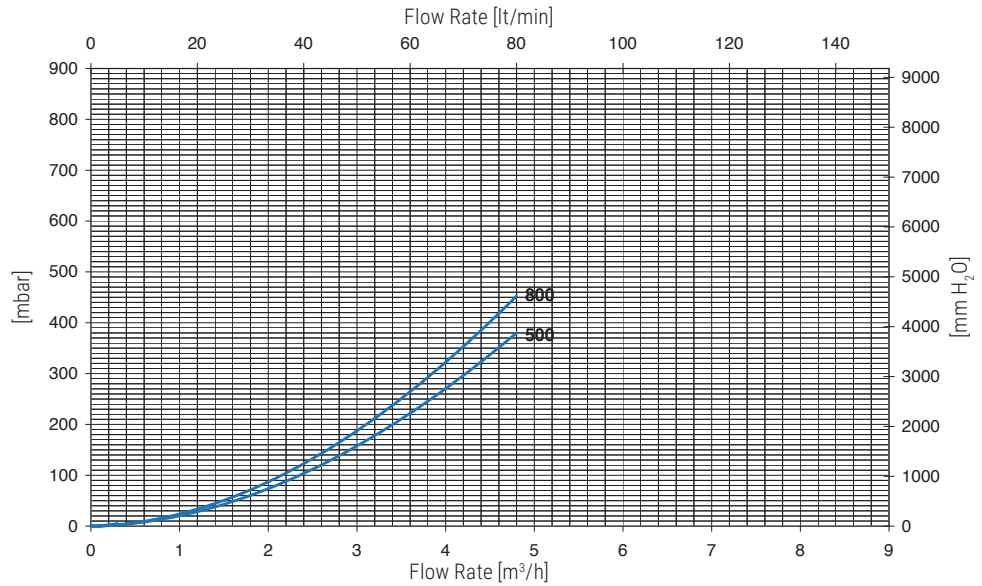


LOWER HEAT EXCHANGER PRESSURE LOSS



LOWER heat exchanger surface [m²]

300	1,2
500	3
800	2,5

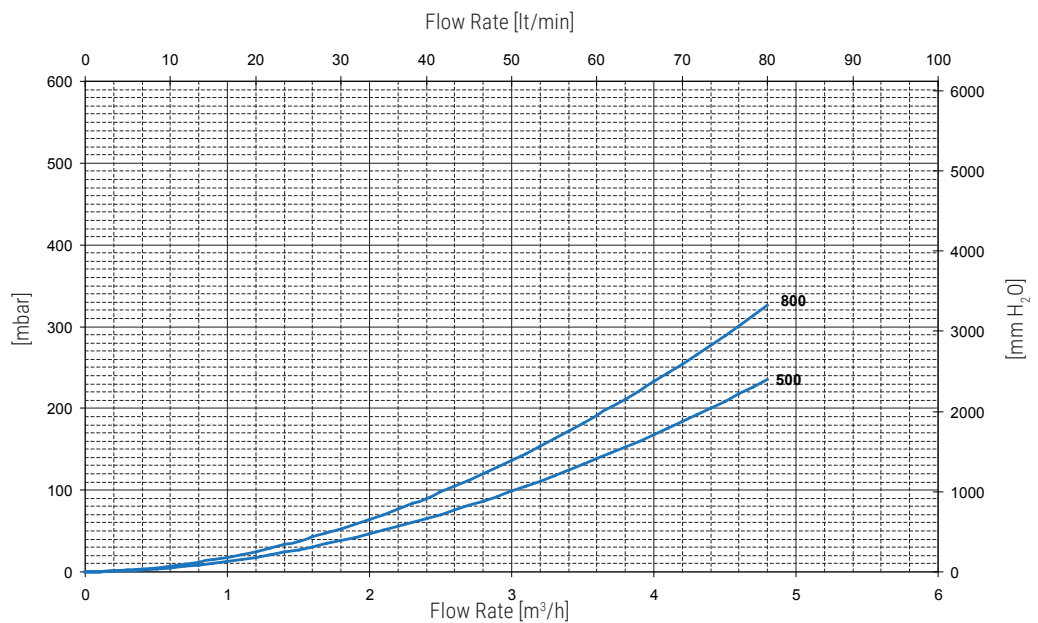


UPPER HEAT EXCHANGER PRESSURE LOSS



UPPER heat exchanger surface [m²]

300	0,7
500	1
800	1,8



EXTRA-BOLLY® CALORIFIERS

BOLLYTERM® CALORIFIERS

STAINLESS STEEL CALORIFIERS

CALORIFIERS FOR HEAT PUMP

MULTIFUEL ENERGY CYLINDERS - PUFFER

HYDRONIC

INERTIAL TANKS

WATER PRESSURE TANKS

COMPRESSED AIR RECEIVERS

ACCESORIES AND SPARE PARTS

TECHNICAL SUPPORT

ECO COMBI 1 PDC

MULTI-HEAT ENERGY BUFFER FOR HEAT PUMP
WITH 316L STAINLESS STEEL DHW CORRUGATED PIPE



APPLICATION

Heating hot water storage and D.H.W. production.

MATERIAL

- **BUFFER TANK:** made in mild steel outside painted. There is no need of any anti-corrosion treatment due to the fact that the buffer is in a closed circuit without any adding air.
- **DHW STORAGE:** 316L stainless steel corrugated pipe, suitable drinkable water according to D.M. n. 174 dated 06.04.04.

TECHNICAL DESCRIPTION

Multi-heat Energy tanks EcoCombi 1 are used in units with a typically discontinuous energy source for double use: heating system and domestic hot water.

- Heating system with a biomass generator as energy source, combining the possibility to produce domestic hot water. In such case, storage heating volume allows the generator to regularly work, limiting number of stops due to the inadequate energy request of the heating system. Moreover, it limits the emission of smoke and creation of corrosive condensate (smokes side).

- In this system, the high potentiality of the Eco Combi allows to obtain a good DHW production, even if temperatures of the primary system are not so high (e.g. using heating pumps as primary source and solar source as support).

The particular shape of the corrugated pipe is avoiding any problem relating to the DHW storage and ensure high heating exchange performances.

INSULATION

High thermal insulation with ecological polyurethane hard foam. Grey PVC external lining

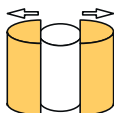
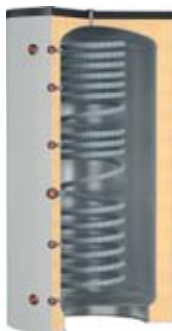
WARRANTY

5 years - See general sales conditions and warranty

ACCESSORIES AND SPARE PARTS

See Accessories section for the entire list.

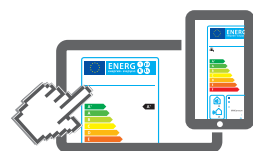
HARD FOAM INSULATION



ECO COMBI 1 PDC VB

Model	HARD FOAM insulation Art. Nr.	Heat pump max output [kW]	316L STAINLESS STEEL CORRUGATED PIPE FOR D.H.W. PRODUCTION		ENERGY EFFICIENCY CLASS
			Volume [lt]	Surface [m²]	
300	3270162310002	26	26,6	4,5	C
500	3270162310003	26	31	5,3	C

Model	DISMOUNTABLE HARD FOAM insulation Art. Nr.	Volume [lt]	Surface [m²]	ENERGY EFFICIENCY CLASS
800	3270162310005	35	45	C



www.cordivari.com/erp

On line ErP label tool

Accessories on request

Thermometer

Art. Nr.
5032240000107
5 units box



Buffer tanks connecting kit

Art. Nr.	Connection
5006170001001	1" 1/2
Stainless steel extensible connecting kit - (200 ÷ 400 mm)	



Kit Recirculation

Art. Nr.
5221000000019
Attacco 3/4"

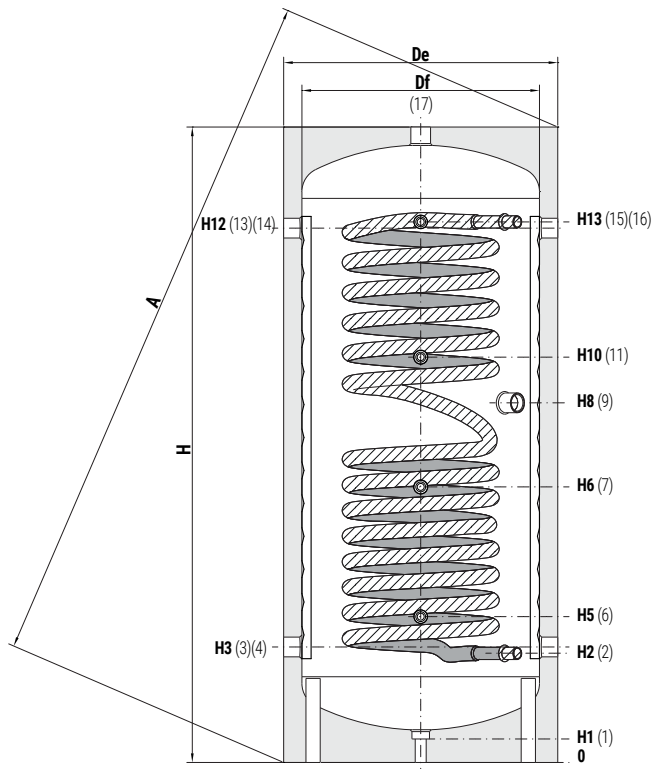
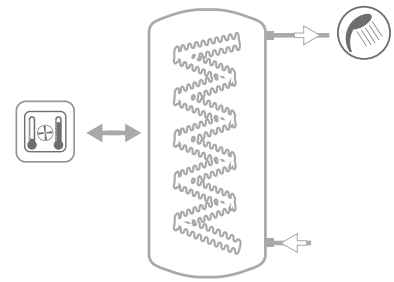


ECO COMBI 1 PDC

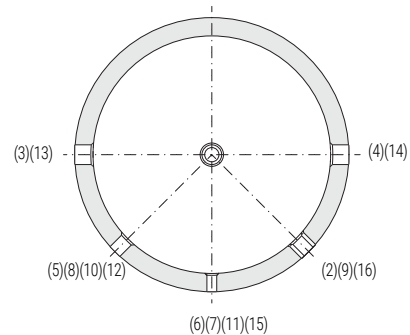
MULTI-HEAT ENERGY BUFFER FOR HEAT PUMP
WITH 316L STAINLESS STEEL DHW CORRUGATED PIPE

STORAGE		CORRUGATED DHW STAINLESS STEEL PIPE
Pmax	Tmax	Pmax
3 bar	99 °C	6 bar

CORDIVARI Lab
TÜV Rheinland Energie
und Umwelt GmbH states
that test procedures and
Cordivari LAB are certified conforming
to European standard EN 15332, as
indicated by Ecodesign ErP Directive.



- 1 Drain 1"1/4 Gas F
- 2 Domestic cold water circuit inlet
- 3-4 Heating return - to generator 1"1/2 Gas F
- 6-7 Connection for instrumentation 1/2" Gas F
- 9 Connection for electrical immersion 1"1/2 Gas F
- 11 Connection for instrumentation 1/2" Gas F
- 13-14-17 From Generator - Heating delivery 1"1/2 Gas F
- 15 Connection for instrumentation 1/2" Gas F
- 16 Domestic hot water outlet



Model	Volume [litres]	De	H	A	H1	H2	H3
		[mm]					
300	291	650	1585	1713	70	297	330
500	454	750	1745	1899	70	305	322
800	748	950	1940	2156	70	325	342

Model	H5	H6	H8	H10	H12	H13	2-16
	[mm]						Connections
300	390	745	970	1100	1280	1315	1/2" F
500	405	760	990	1115	1468	1485	1" M
800	425	780	935	1135	1618	1635	1" M

P.E.D. product designed and produced in conformity to the article 4.3 of directive 2014/68/UE - ErP Ecodesign directive 2009/125/CE

EXTRA-BOLLY® CALORIFIERS
BOLLYTERM® CALORIFIERS
STAINLESS STEEL CALORIFIERS
CALORIFIERS FOR HEAT PUMP
MULTIFUEL ENERGY CYLINDERS - PUFFER
HYDRONIC
INERTIAL TANKS
WATER PRESSURE TANKS
COMPRESSED AIR RECEIVERS
ACCESSORIES AND SPARE PARTS
TECHNICAL SUPPORT

ECO COMBI 3 PDC

MULTI-HEAT ENERGY BUFFER FOR HEAT PUMP

WITH 316L STAINLESS STEEL DHW CORRUGATED PIPE AND 2 FIXED HEAT EXCHANGERS



APPLICATION

Heating hot water storage and D.H.W. production.

MATERIAL

- **BUFFER TANK:** made in mild steel outside painted. There is no need of any anti-corrosion treatment due to the fact that the buffer is in a closed circuit without any adding air.
- **DHW STORAGE:** 316L stainless steel corrugated pipe, suitable drinkable water according to D.M. n. 174 dated 06.04.04.

HEAT EXCHANGERS:

2 fixed heat exchangers.

TECHNICAL DESCRIPTION

Multi-heat Energy tanks EcoCombi 3 are used in units with a typically discontinuous energy source for double use: heating system and domestic hot water.

- Heating system with a biomass generator as energy source, combining the possibility to produce domestic hot water. In such case, storage heating volume allows the generator to regularly work,

limiting number of stops due to the inadequate energy request of the heating system. Moreover, it limits the emission of smoke and creation of corrosive condensate (smokes side).

- In this system, the high potentiality of the Eco Combi allows to obtain a good DHW production, even if temperatures of the primary system are not so high (e.g. using heating pumps as primary source and solar source as support).

The particular shape of the corrugated pipe is avoiding any problem relating to the DHW storage (less, stagnation, bacterium, etc.) and ensure high heating exchange performances.

INSULATION

High thermal insulation with ecological polyurethane hard foam.

Grey PVC external lining

WARRANTY

5 years - See general sales conditions and warranty

ACCESSORIES AND SPARE PARTS

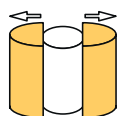
See Accessories section for the entire list.

HARD FOAM INSULATION

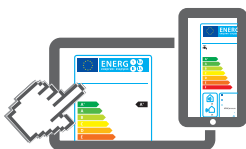


ECO COMBI 3 PDC VB

Model	HARD FOAM insulation Art. Nr.	Heat pump max output [kW]	316L STAINLESS STEEL CORRUGATED PIPE FOR D.H.W. PRODUCTION		UPPER FIXED HEAT EXCHANGER		LOWER FIXED HEAT EXCHANGER		ENERGY EFFICIENCY CLASS
			Volume [lt]	Surface [m ²]	Volume [lt]	Surface [m ²]	Volume [lt]	Surface [m ²]	
300	3270162310202	26	26,6	4,5	4,4	0,7	7,9	1,2	C
500	3270162310203	26	31	5,3	7,7	1,2	14,5	2,2	C



Model	DISMOUNTABLE HARD FOAM insulation Art. Nr.	Volume [kW]	Volume [lt]	Surface [m ²]	Volume [lt]	Surface [m ²]	Volume [lt]	Surface [m ²]	ENERGY EFFICIENCY CLASS



www.cordivari.com/erp

On line ErP label tool

Accessories on request

Thermometer

Art. Nr.	
5032240000107	
5 units box	

Buffer tanks connecting kit

Art. Nr.	Connection	
5006170001001	1" 1/2	
Stainless steel extensible connecting kit - (200 ÷ 400 mm)		

ECO COMBI 3 PDC

MULTI-HEAT ENERGY BUFFER FOR HEAT PUMP

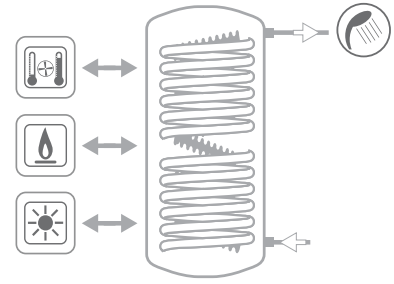
WITH 316L STAINLESS STEEL DHW CORRUGATED PIPE AND 2 FIXED HEAT EXCHANGERS

STORAGE		CORRUGATED DHW STAINLESS STEEL PIPE	FIXED HEAT EXCHANGER	
Pmax	Tmax	Pmax	Pmax	Tmax
3 bar	99 °C	6 bar	12 bar	110 °C

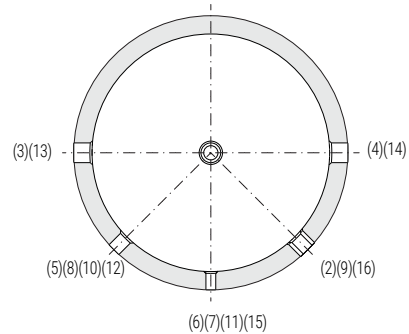
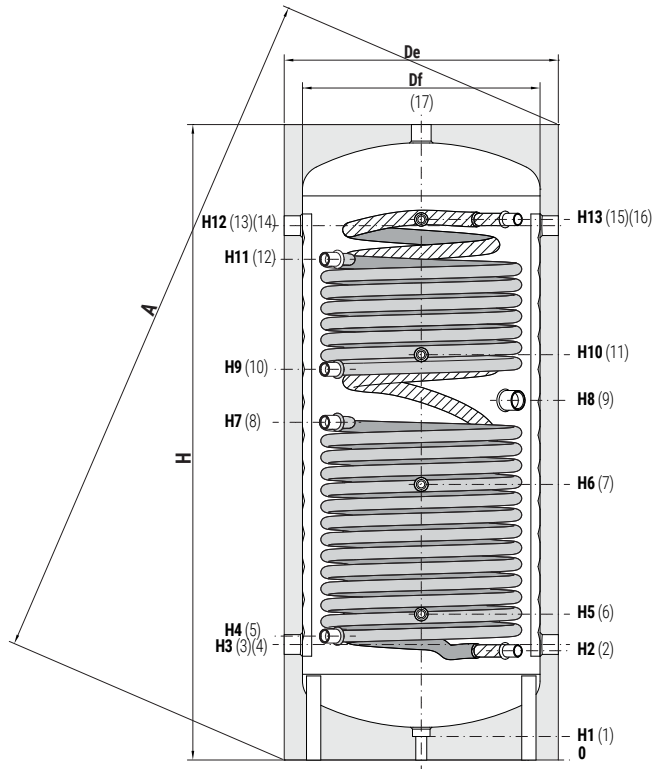
CORDIVARI Lab
TÜV Rheinland Energie
und Umwelt GmbH states
that test procedures and
Cordivari LAB are certified conforming
to European standard EN 15332, as
indicated by Ecodesign ErP Directive.



ASK ALWAYS FOR
CERTIFIED LABORATORIES
DATA RESULTS



- 1** Drain 1"1/4 Gas F
- 2** Domestic hot water inlet
- 3-4** Heating return - to generator 1"1/2 Gas F
- 5** Lower fixed heat exchanger outlet 1" Gas F
- 6-7** Connection for instrumentation 1/2" Gas F
- 8** Lower fixed heat exchanger inlet 1" Gas F
- 9** Electrical immersion 1"1/2 Gas F
- 10** Upper fixed heat exchanger outlet 1" Gas F
- 11** Connection for instrumentation 1/2" Gas F
- 12** Upper fixed heat exchanger inlet 1" Gas F
- 13-14-17** Heating return - Heating delivery 1"1/2 Gas F
- 15** Connection for instrumentation 1/2" Gas F
- 16** Domestic hot water outlet



Model	Volume [lt]	De	H	A	H1	H2	H3	H4	H5
300	291	650	1585	1713	70	297	330	330	390
500	454	750	1745	1899	70	305	322	345	405
800	748	950	1940	2156	70	325	342	365	425

Model	H6	H7	H8	H9	H10	H11	H12	H13	2-16
[mm]									Connections
300	745	870	970	1040	1100	1280	1280	1315	1/2" F
500	760	930	990	1075	1115	1376	1468	1485	1" M
800	780	905	935	1065	1135	1409	1618	1635	1" M

P.E.D. product designed and produced in conformity to the article 4.3 of directive 2014/68/UE - ErP Ecodesign directive 2009/125/CE

EXTRA-BOLLY® CALORIFIERS
BOLLYTERM® CALORIFIERS
STAINLESS STEEL CALORIFIERS
CALORIFIERS FOR HEAT PUMP
MULTIFUEL ENERGY CYLINDERS - PUFFER
HYDRONIC
INERTIAL TANKS
WATER PRESSURE TANKS
COMPRESSED AIR RECEIVERS
ACCESSORIES AND SPARE PARTS
TECHNICAL SUPPORT

ECO COMBI PDC - OUTPUT AND PERFORMANCES

PERFORMANCES DURING DHW PRODUCTION PHASE

Q = Flow rate collection in litres per minute
P = Power in kW of the connected heat pump
V = Max quantity of DHW production under expressed conditions

Model		P = 0 kW		P = 5 kW		P = 10 kW		P = 15 kW	
		Q [l/min]	V [l]	Q [l/min]	V [l]	Q [l/min]	V [l]	Q [l/min]	V [l]
300	DHW 10°C/45°C Storage initial T 55°C	10	118	10	142	10	166	10	190
		20	82	20	91	20	99	20	107
		30	47	30	50	30	54	30	57
	DHW 10°C/45°C Storage initial T 50°C	10	96	10	115	10	135	10	154
		20	67	20	73	20	80	20	87
		30	39	30	41	30	44	30	46

Model		P = 0 kW		P = 5 kW		P = 10 kW		P = 15 kW		P = 20 kW		P = 25 kW	
		Q [l/min]	V [l]	Q [l/min]	V [l]	Q [l/min]	V [l]	Q [l/min]	V [l]	Q [l/min]	V [l]	Q [l/min]	V [l]
500	DHW 10°C/45°C Storage initial T 55°C	10	293	10	353	10	413	10	473	10	533	10	593
		20	223	20	246	20	269	20	291	20	314	20	337
		30	153	30	163	30	174	30	184	30	195	30	205
	DHW 10°C/45°C Storage initial T 50°C	10	240	10	289	10	338	10	387	10	436	10	485
		20	182	20	201	20	220	20	238	20	257	20	276
		30	125	30	134	30	142	30	151	30	159	30	168

Model		P = 0 kW		P = 15 kW		P = 20 kW		P = 25 kW		P = 30 kW		P = 35 kW	
		Q [l/min]	V [l]	Q [l/min]	V [l]	Q [l/min]	V [l]	Q [l/min]	V [l]	Q [l/min]	V [l]	Q [l/min]	V [l]
800	DHW 10°C/45°C Storage initial T 55°C	10	469	10	757	10	853	10	949	10	1045	10	1141
		20	367	20	480	20	517	20	555	20	592	20	630
		30	266	30	320	30	339	30	357	30	375	30	393
	DHW 10°C/45°C Storage initial T 50°C	10	384	10	619	10	698	10	777	10	855	10	934
		20	300	20	392	20	423	20	454	20	485	20	515
		30	218	30	262	30	277	30	292	30	307	30	322

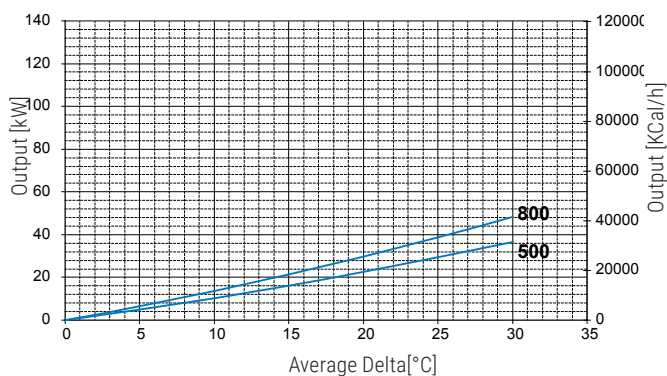
DHW collection data are meant for use with one heat pump connected to the storage, without considering possible contribution of other energy sources.

HEAT EXCHANGER POWER ECO COMBI 3 PDC

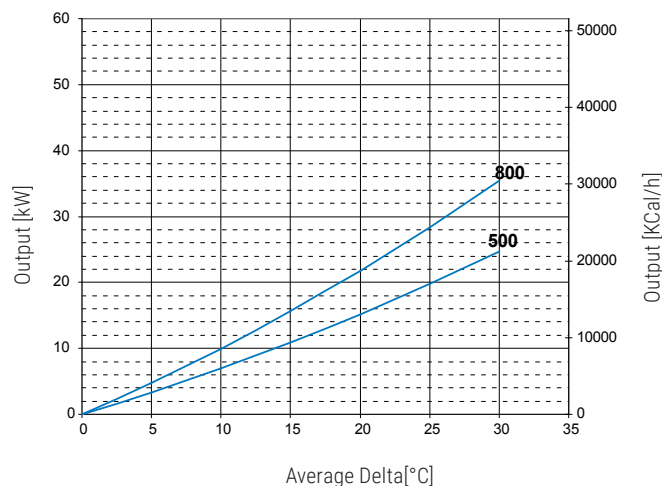
EcoCombi PDC lower heat exchangers exchanged power according to average Delta T between primary and storage (flow rate of 3 m²/h circulating in the exchanger)

Exchangeable thermal powers are expressed both in kW and Kcal/h according to the average temperature difference between primary and secondary, having a primary flow rate of 3 m²/h.

LOWER HEAT EXCHANGER



UPPER HEAT EXCHANGER

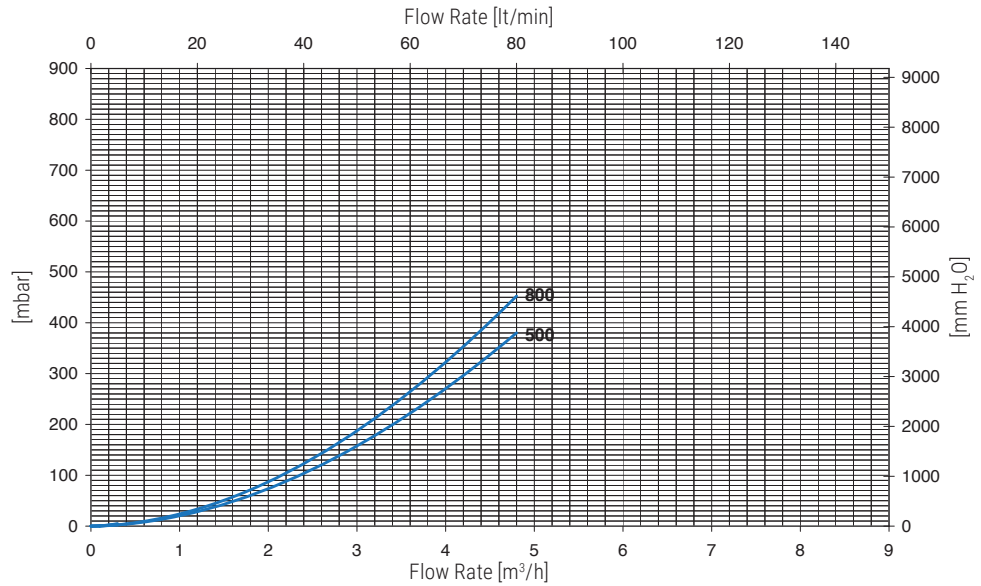


ECO COMBI 2 PDC - ECO COMBI 3 PDC UPPER HEAT EXCHANGER PRESSURE LOSS



Upper
Heat exchanger surface

300	0,7
500	1,2
800	1,7

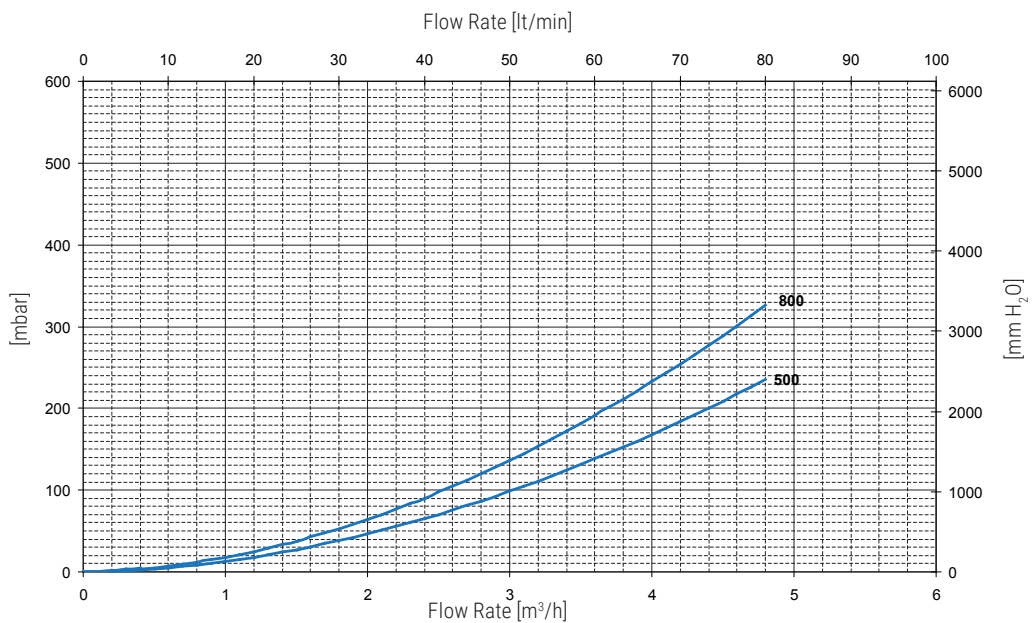


ECO COMBI 2 PDC - ECO COMBI 3 PDC LOWER HEAT EXCHANGER PRESSURE LOSS



Lower
Heat exchanger surface

300	1,2
500	2,2
800	2,6



MULTIFUEL ENERGY CILINDERS AND BUFFER TANKS





TECHNICAL
SUPPORT

ACCESSORIES
AND SPARE PARTS

COMPRESSED AIR
RECEIVERS

WATER PRESSURE
TANKS

INERTIAL
TANKS

HYDRONIC

MULTIFUEL ENERGY
CYLINDERS - PUFFER

CALORIFIERS FOR
HEAT PUMP

STAINLESS STEEL
CALORIFIERS

BOLLYTERM®
CALORIFIERS

EXTRA-BOLLY®
CALORIFIERS

PUFFER

HEATING WATER BUFFER TANK



APPLICATION

Efficient storage of heating hot water mostly using biomass, heat pumps or solar thermal energy sources.

MATERIAL

Mild steel outside painted. There is no need of any anti-corrosion treatment due to the fact that the buffer is in a closed circuit without any adding air.

TECHNICAL DESCRIPTION

Used to improve flexibility of pellets, stoves and burners. PUFFER are used in units with a typically discontinuous energy source such as biomass boiler and solar thermal system.

INSULATION

- HARD: High thermal insulation with ecological polyurethane hard foam.
- SOFT: NOFIRE® polyester fleece 100% made of recyclable material, with high thermal insulation. Fire resistance class B-s2d0 according to EN 13501.

Grey PVC external lining complete with top and flange cover

WARRANTY

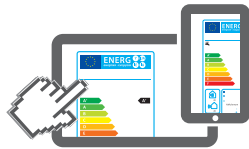
5 years - See general sales conditions and warranty

ACCESSORIES AND SPARE PARTS

See Accessories section for the entire list.

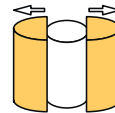


HARD FOAM INSULATION

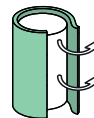
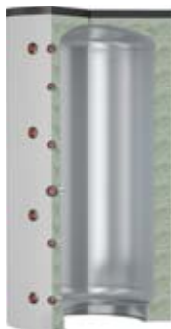


www.cordivari.com/erp

On line ErP label tool



SOFT FLEECE INSULATION



PUFFER VB

ENERGY EFFICIENCY CLASS

Model	HARD FOAM insulation	ErP
	Art. Nr.	
200	3251162312501	B
300	3251162312502	C
500	3251162312503	C
600	3251162312504	C
750	3251162312525	C
800	3251162312526	C
1000	3251162312527	C
1250	3251162312508	C
1500	3251162312509	C
2000	3251162312510	C

Model	DISMOUNTABLE HARD FOAM insulation	ErP
	Art. Nr.	
750	3251162312505	C
800	3251162312506	C
1000	3251162312507	C

PUFFER VC

ENERGY EFFICIENCY CLASS

Model	DISMOUNTABLE SOFT FLEECE insulation	ErP
	Art. Nr.	
750	3251162282804	C
800	3251162282805	C
1000	3251162282806	C
1500	3251162282807	C
2000	3251162282808	C
3000	3251162282608	
5000	3251162282610	

Accessories on request

Thermometer

Art. Nr.	
5032240000107	
5 units box	

Buffer tanks connecting kit

Art. Nr.	Connection	
5006170001001	1" 1/2	
Stainless steel extensible connecting kit - (200 ÷ 400 mm)		

PUFFER

HEATING WATER BUFFER TANK

STORAGE

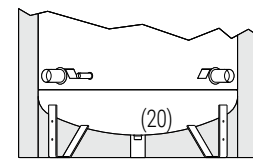
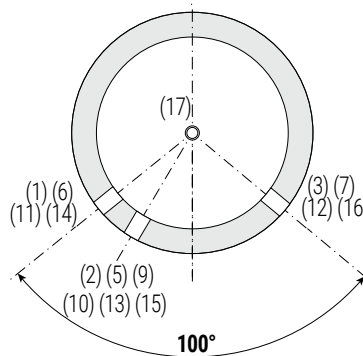
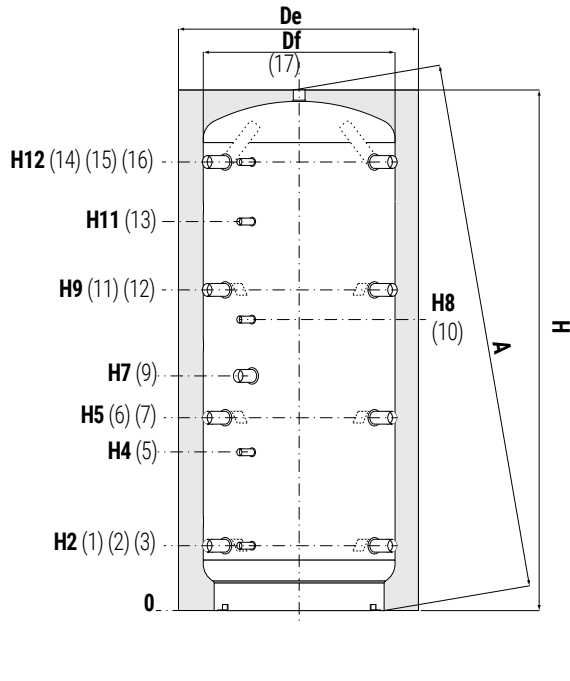
Pmax	Tmax
3 bar	99 °C



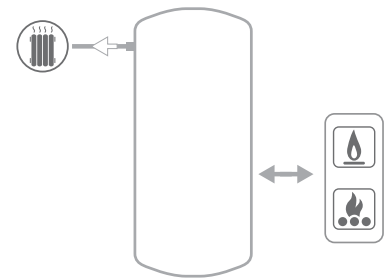
CORDIVARI Lab
TÜV Rheinland Energie
und Umwelt GmbH states
that test procedures and
Cordivari LAB are certified conforming
to European standard EN 15332, as
indicated by Ecodesign ErP Directive.



**ASK ALWAYS FOR
CERTIFIED LABORATORIES
DATA RESULTS**



Only for models 3000 e 5000



- 1-3-6-7** Heating return/To Generator
- 2-5** Connection for instrumentation 1/2" Gas F
- 9** Electrical immersion
- 10** Connection for instrumentation 1/2" Gas F
- 11-12-14-16** Heating delivery/ Heating return
- 13** Connection for instrumentation 1/2" Gas F
- 15** Connection for instrumentation 1/2" Gas F
- 17** Heating delivery
- 20** Drain only for models 3000 e 5000

P.E.D. product designed and produced in conformity to the article 4.3 of directive 2014/68/UE - ErP Ecodesign directive 2009/125/CE

Model	Volume [lt]	Df (vers. VC) [mm]	De (vers. VC) [mm]	De (vers. VB)	H	A [mm]	H2	H4
200	180	//	//	550	1299	1410	218	430
300	279	//	//	650	1340	1489	232	444
500	478	//	//	750	1620	1784	247	533
600	560	//	//	750	1870	2014	247	582
750	717	790	1010	950	1658	1911	265	584
800	805	790	1010	950	1840	2071	265	584
1000	946	790	1010	950	2130	2332	265	656
1250	1248	//	//	1050	2201	2439	313	705
1500	1454	950	1210	1100	2250	2504	313	736
2000	1973	1100	1360	1300	2320	2659	347	770
3000	2915	1250	1450	//	2814	3079	556	1017
5000	4985	1600	1800	//	2929	3338	586	1047

Model	H5	H7	H8	H9	H11	H12
200	500	576	711	782	871	1064
300	514	590	725	796	885	1078
500	629	841	930	1011	1231	1343
600	695	915	1060	1144	1382	1593
750	630	823	938	995	1180	1371
800	690	823	988	1115	1332	1541
1000	787	998	1188	1309	1588	1831
1250	835	986	1168	1357	1568	1879
1500	845	1061	1286	1377	1653	1909
2000	879	1060	1300	1411	1687	1943
3000	1071	1693	1879	1786	2140	2402
5000	1101	1691	1889	1816	2159	2432

1-3-6-7-9 11-12-14-16-17	20
Connections Gas F	
1" 1/2	//
1" 1/2	//
1" 1/2	//
1" 1/2	//
1" 1/2	//
1" 1/2	//
1" 1/2	//
1" 1/2	//
1" 1/2	//
2"	1"
2"	2"

EXTRA-BOLLY® CALORIFIERS
BOLLYTERM® CALORIFIERS
STAINLESS STEEL CALORIFIERS
CALORIFIERS FOR HEAT PUMP
MULTIFUEL ENERGY CYLINDERS - PUFFER
HYDRONIC
INERTIAL TANKS
WATER PRESSURE TANKS
COMPRESSED AIR RECEIVERS
ACCESSORIES AND SPARE PARTS
TECHNICAL SUPPORT

PUFFER COMPACT

HEATING WATER BUFFER TANK



APPLICATION

Efficient storage of heating hot water mostly using biomass, heat pumps or solar thermal energy sources.

MATERIAL

Mild steel outside painted. There is no need of any anti-corrosion treatment due to the fact that the buffer is in a closed circuit without any adding air.

TECHNICAL DESCRIPTION

Used to improve flexibility of pellets, stoves and burners. PUFFER COMPACT are used in units with a typically discontinuous energy source such as biomass boiler and solar thermal system. Suitable for low-ceilinged rooms.

INSULATION

NOFIRE® polyester fleece 100% made of recyclable material, with high thermal insulation. Fire resistance class B-s2d0 according to EN 13501.

Grey PVC external lining complete with top and flange cover

WARRANTY

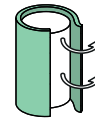
5 years - See general sales conditions and warranty

ACCESSORIES AND SPARE PARTS

See Accessories section for the entire list.

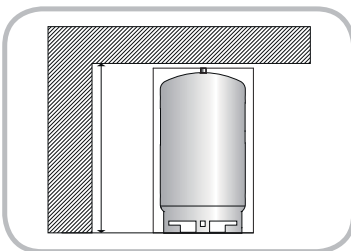


PUFFER COMPACT VC

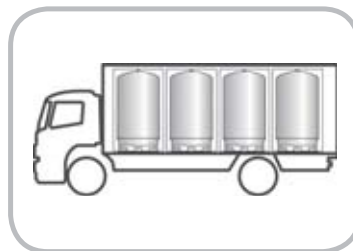


DISMOUNTABLE SOFT FLEECE insulation

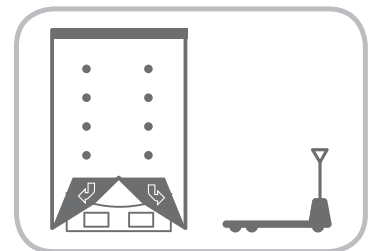
Model	Art. Nr.
2500	3251162280370
3000	3251162282658
4000	3251162282659
4500	3251162282660
5000	3251162282661
6000	3251162282662
8000	3251162282663



SUITABLE FOR
LOW-CEILINGED ROOMS



EASY TO TRANSPORT



EASY TO MOVE

Accessories on request

Thermometer

Art. Nr.	
5032240000107	
5 units box	

Buffer tanks connecting kit

Art. Nr.	Connection	
5006170001001	1" 1/2	
Stainless steel extensible connecting kit - (200 ÷ 400 mm)		

PUFFER COMPACT

HEATING WATER BUFFER TANK

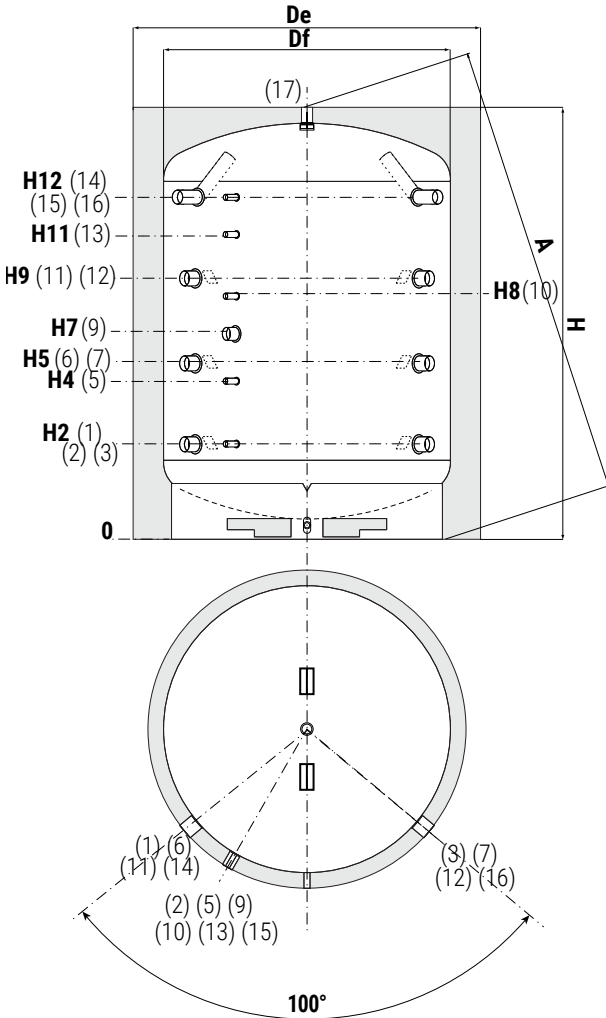
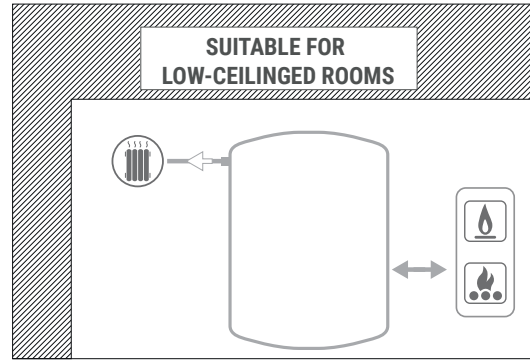
STORAGE

Pmax	Tmax
3 bar	99 °C

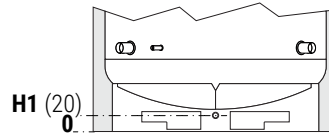
CORDIVARI Lab
TÜV Rheinland Energie und Umwelt GmbH states that test procedures and Cordivari LAB are certified conforming to European standard EN 15332, as indicated by Ecodesign ErP Directive.



ASK ALWAYS FOR CERTIFIED LABORATORIES DATA RESULTS



1-3-6-7	Heating return/To Generator
2-5	Connection for instrumentation 1/2" Gas F
9	Electrical immersion
10	Connection for instrumentation 1/2" Gas F
11-12-14-16	Heating delivery/ Heating return
13	Connection for instrumentation 1/2" Gas F
15	Connection for instrumentation 1/2" Gas F
17	Heating delivery
20	Drain only for models 3000, 4000 e 5000



P.E.D. product designed and produced in conformity to the article 4.3 of directive 2014/68/UE - ErP Ecodesign directive 2009/125/CE

Model	Volume [lt]	Df	De	H	A	H1	H2	H4	H5
2500	2306	1250	1450	2351	2455	140	556	886	996
3000	3017	1500	1700	2180	2374	109,5	567	841	932
4000	3986	1600	1800	2456	2643	94,5	574	910	1022
4500	4411	1800	2000	2230	2575	90	582	856	947
5000	5042	1800	2000	2480	2764	90	583	919	1031
6000	5672	1800	2000	2730	2960	90	605	1005	1114
8000	7564	1800	2000	3480	3640	90	606	1066	1372

Model	H7	H8	H9	H11	H12	1-3-6-7 11-12-14-16	9 - 17	20
						Connections Gas F		
2500	1051	1216	1436	1546	1876	1" 1/2	1" 1/2	1"
3000	1252	1115	1297	1389	1662	2"	2"	1"
4000	1414	1246	1470	1582	1918	2"	2"	1"
4500	1267	1130	1312	1404	1677	2"	2"	1"
5000	1423	1255	1479	1591	1927	2"	2"	1"
6000	1295	1535	1646	1922	2155	3"	2"	1"
8000	1526	1986	2138	2446	2904	3"	2"	1"

EXTRA-BOLLY® CALORIFIERS

BOLLYTERM® CALORIFIERS

STAINLESS STEEL CALORIFIERS

CALORIFIERS FOR HEAT PUMP

MULTIFUEL ENERGY CYLINDERS - PUFFER

HYDRONIC

INERTIAL TANKS

WATER PRESSURE TANKS

COMPRESSED AIR RECEIVERS

ACCESORIES AND SPARE PARTS

TECHNICAL SUPPORT

PUFFER - FLANGED CONNECTIONS

HEATING WATER BUFFER TANKS WITH 90° AND 180° FLANGED CONNECTIONS



APPLICATION

Efficient storage of heating hot water mostly using biomass, heat pumps or solar thermal energy sources.

MATERIAL

Mild steel outside painted. There is no need of any anti-corrosion treatment due to the fact that the buffer is in a closed circuit without any adding air.

TECHNICAL DESCRIPTION

Used to improve flexibility of pellets, stoves and burners. PUFFER FLANGED are used in units with a typically discontinuous energy source such as biomass boiler and solar thermal system. PUFFER FLANGED have been conceived for medium/large biomass heating plants where flanged connections are required. PUFFER FLANGED have reduced height for maximum flexibility of installation

INSULATION

NOFIRE® polyester fleece 100% made of recyclable material, with high thermal insulation. Fire resistance class B-s2d0 according to EN 13501.

Grey PVC external lining complete with top and flange cover

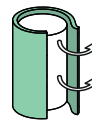
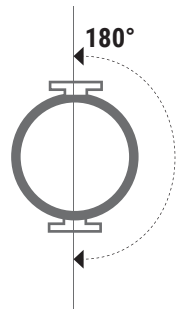
WARRANTY

5 years - See general sales conditions and warranty

ACCESSORIES AND SPARE PARTS

See Accessories section for the entire list.

SOFT FLEECE INSULATION

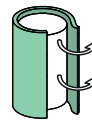
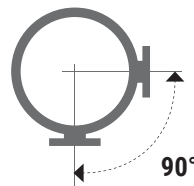


PUFFER FLANGIATI VC (180°)

DISMOUNTABLE SOFT FLEECE insulation

Model	Art. Nr.
2500	3251162282680
3000	3251162282681
4000	3251162282682
4500	3251162282683
5000	3251162282684
6000	3251162282685
8000	3251162282686
10000	3251162282620
12000	3251162282621

SOFT FLEECE INSULATION



PUFFER FLANGIATI VC (90°)

DISMOUNTABLE SOFT FLEECE insulation

Model	Art. Nr.
2500	3251162282690
3000	3251162282691
4000	3251162282692
4500	3251162282693
5000	3251162282694
6000	3251162282695
8000	3251162282696
10000	3251162282622
12000	3251162282623

— Accessories on request —

Thermometer

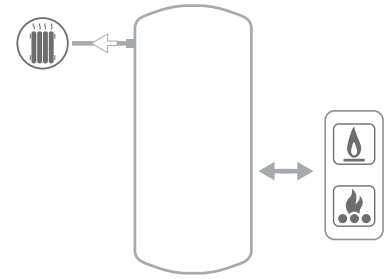
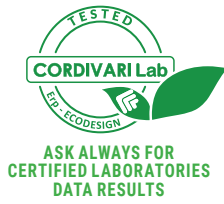
Art. Nr.	
5032240000107	
5 units box	

PUFFER - FLANGED CONNECTIONS

HEATING WATER BUFFER TANKS WITH 90° AND 180° FLANGED CONNECTIONS

STORAGE	
Pmax	Tmax
3 bar	99 °C

CORDIVARI Lab
TÜV Rheinland Energie und Umwelt GmbH states that test procedures and Cordivari LAB are certified conforming to European standard EN 15332, as indicated by Ecodesign ErP Directive.

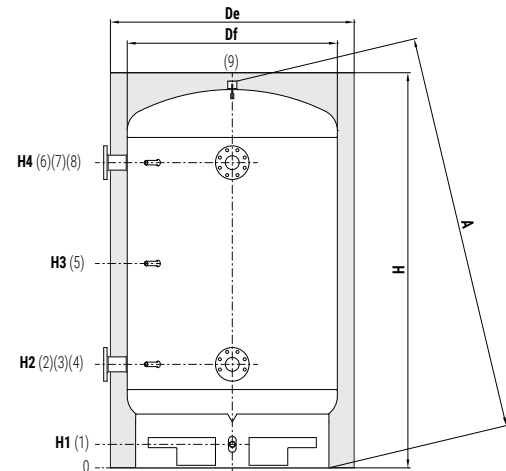
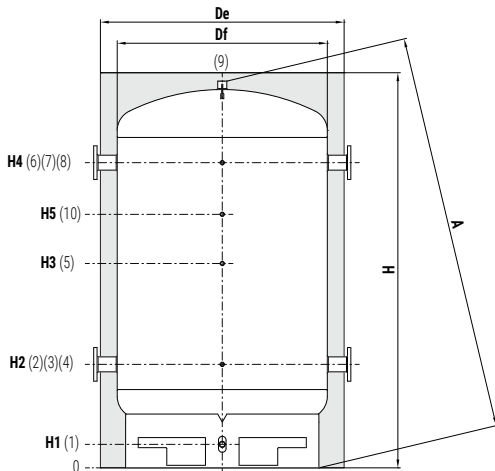


180° FLANGED CONNECTIONS

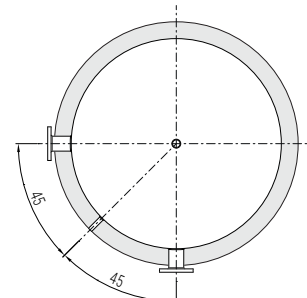
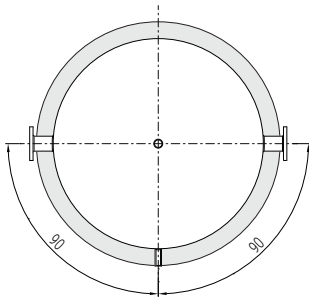
- 1** Drain 1" Gas F (for models 10000 e 12000 2" Gas F)
- 2-4** To generator / Heating return
- 6-8** Heating delivery / Heating return
- 3-5-7** Connection for instrumentation 1/2" Gas F
- 9** Heating delivery



90° FLANGED CONNECTIONS



Standard supporting feet for models 10000 and 12000



Model	Volume [litres]	Df	De	H	A	H1	H2	H3	H4	H5	Connections Gas F	
											2-4-6-8	9
2500	2306	1250	1450	2351	2433	140	616	1216	1816	//	PN16 DN80	1 1/2"
3000	3017	1500	1700	2180	2305	109	640	1115	1590	//	PN16 DN80	2"
4000	3986	1600	1800	2456	2583	95	646	1246	1846	//	PN16 DN80	2"
4500	4411	1800	2000	2230	2405	89	655	1130	1605	//	PN16 DN80	2"
5000	5042	1800	2000	2480	2638	89	675	1255	1835	//	PN16 DN100	2"
6000	5672	1800	2000	2730	2875	89	675	1380	2085	//	PN16 DN100	2"
8000	7564	1800	2000	3480	3594	89	675	1705	2835	//	PN16 DN100	2"
10000	10455	2000	2200	3916	4007	191	826	1636	3256	2446	PN16 DN100	2"
12000	12010	2000	2200	4461	4502	191	826	1803	3756	2779	PN16 DN100	2"

P.E.D. product designed and produced in conformity to the article 4.3 of directive 2014/68/UE - ErP Ecodesign directive 2009/125/CE

EXTRA-BOLLY® CALORIFIERS
BOLLYTERM® CALORIFIERS
STAINLESS STEEL CALORIFIERS
CALORIFIERS FOR HEAT PUMP
MULTIFUEL ENERGY CYLINDERS - PUFFER
HYDRONIC
INERTIAL TANKS
WATER PRESSURE TANKS
COMPRESSED AIR RECEIVERS
ACCESSORIES AND SPARE PARTS
TECHNICAL SUPPORT

PUFFER 1

HEATING WATER BUFFER TANK WITH 1 FIXED HEAT EXCHANGER



APPLICATION

Efficient storage of heating hot water mostly using biomass, heat pumps or solar thermal energy sources.

MATERIAL

Mild steel outside painted. There is no need of any anti-corrosion treatment due to the fact that the buffer is in a closed circuit without any adding air.

HEAT EXCHANGER

1 mild steel fixed heat exchanger

TECHNICAL DESCRIPTION

Used to improve flexibility of pellets, stoves and burners. PUFFER 1 are used in units with a typically discontinuous energy source such as biomass boiler and solar thermal system. PUFFER 1 allows the solar energy system integration.

INSULATION

- HARD: High thermal insulation with ecological polyurethane hard foam.
- SOFT: NOFIRE® polyester fleece 100% made of recyclable material, with high thermal insulation. Fire resistance class B-s2d0 according to EN 13501.

Grey PVC external lining complete with top and flange cover

WARRANTY

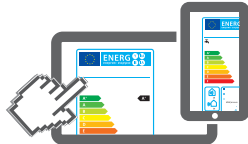
5 years - See general sales conditions and warranty

ACCESSORIES AND SPARE PARTS

See Accessories section for the entire list.

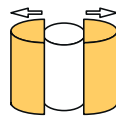


HARD FOAM INSULATION



www.cordivari.com/erp

On line ErP label tool

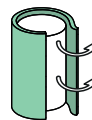


PUFFER 1 VB

Model	HARD FOAM insulation		HEAT EXCHANGER SURFACE [m ²]	ENERGY EFFICIENCY CLASS ErP
	Art. Nr.			
300	3251162312201		1,0	C
500	3251162312202		1,9	C
600	3251162312203		2,1	C
750	3251162312214		2,3	C
800	3251162312215		2,5	C
1000	3251162312216		3,1	C
1250	3251162312207		3,4	C
1500	3251162312208		3,8	C
2000	3251162312209		4,6	C

Model	DISMOUNTABLE HARD FOAM insulation		HEAT EXCHANGER SURFACE [m ²]	ENERGY EFFICIENCY CLASS ErP
	Art. Nr.			
750	3251162312204		2,3	C
800	3251162312205		2,5	C
1000	3251162312206		3,1	C

SOFT FLEECE INSULATION



PUFFER 1 VC

Model	DISMOUNTABLE SOFT FLEECE insulation		HEAT EXCHANGER SURFACE [m ²]	ENERGY EFFICIENCY CLASS ErP
	Art. Nr.			
750	3251162282814		2,3	C
800	3251162282815		2,5	C
1000	3251162282816		3,1	C
1500	3251162282817		3,8	C
2000	3251162282818		4,6	C
3000	3251162282308		6,2	
5000	3251162282309		7,5	

Accessories on request

Monophase and threephase electrical immersion

Available kit:		
[Kw]	Tension [V]	
da 1,5 a 3	220 - MONOPHASE	
da 4 a 12	400 - TRIPHASE	
See accessories		

Thermometer

Art. Nr.	
5032240000107	
5 units box	

Buffer tanks connecting kit

Art. Nr.	Connection	
5006170001001	1" 1/2	
Stainless steel extensible connecting kit - (200 ÷ 400 mm)		

PUFFER 1

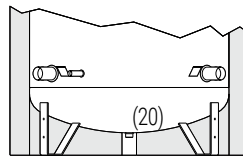
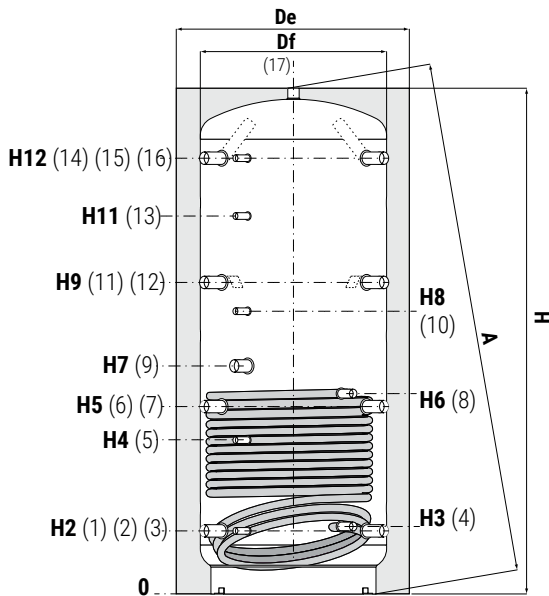
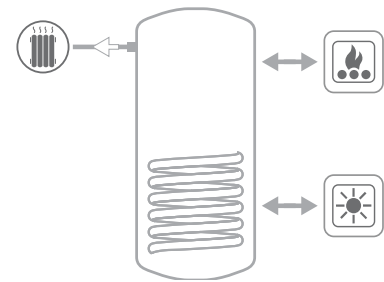
HEATING WATER BUFFER TANK WITH 1 FIXED HEAT EXCHANGER

STORAGE		HEAT EXCHANGER	
Pmax	Tmax	Pmax	Tmax
3 bar	99 °C	12 bar	110 °C

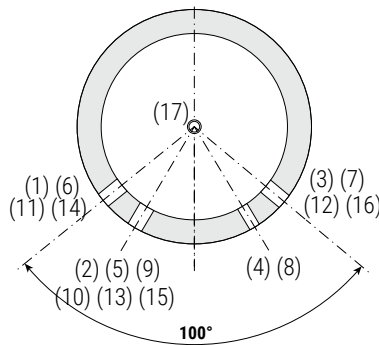
CORDIVARI Lab
TÜV Rheinland Energie und Umwelt GmbH states that test procedures and Cordivari LAB are certified conforming to European standard EN 15332, as indicated by Ecodesign ErP Directive.



ASK ALWAYS FOR CERTIFIED LABORATORIES DATA RESULTS



Only for models 3000 e 5000



- 1-3-6-7** Heating return/To Generator
- 2-5** Connection for instrumentation 1/2" Gas F
- 4** Lower fixed heat exchanger outlet
- 8** Lower fixed heat exchanger inlet
- 9** Electrical immersion
- 10** Connection for instrumentation 1/2" Gas F
- 11-12-14-16** Heating delivery/ Heating return
- 13** Connection for instrumentation 1/2" Gas F
- 15** Connection for instrumentation 1/2" Gas F
- 17** Heating delivery
- 20** Drain only for models 3000 e 5000

P.E.D. product designed and produced in conformity to the article 4.3 of directive 2014/68/UE - ErP Ecodesign directive 2009/125/CE

Model	Volume [lt]	Df (vers. VC)	De (vers. VC)	De (vers. VB)	H	A	H2	H3	H4
		[mm]		[mm]					
300	279	//	//	650	1340	1489	232	217	444
500	478	//	//	750	1620	1784	247	260	533
600	560	//	//	750	1870	2014	247	260	582
750	717	790	1010	950	1658	1911	265	278	584
800	805	790	1010	950	1840	2071	265	278	584
1000	946	790	1010	950	2130	2332	265	284	656
1250	1248	//	//	1100	2201	2439	313	326	705
1500	1454	950	1210	1100	2250	2504	313	336	736
2000	1973	1100	1360	1300	2320	2659	347	370	770
3000	2915	1250	1450	//	2814	3079	556	569	1017
5000	4985	1600	1800	//	2929	3338	586	609	1047

Model	H5	H6	H7	H8	H9	H11	H12
	[mm]						
300	514	514	590	725	796	885	1078
500	629	745	841	930	1011	1231	1343
600	695	855	915	1060	1144	1382	1593
750	630	679	823	938	995	1180	1371
800	690	762	823	988	1115	1332	1541
1000	787	953	998	1188	1309	1588	1831
1250	835	884	986	1168	1357	1568	1879
1500	845	1006	1061	1286	1377	1653	1909
2000	879	1001	1060	1300	1411	1687	1943
3000	1071	1551	1693	1879	1786	2140	2402
5000	1101	1522	1691	1889	1816	2159	2432

1-3-6-7-9-11-12-14-16-17	4-8	20
Connections Gas F		
1" 1/2	1"	//
1" 1/2	1"	//
1" 1/2	1"	//
1" 1/2	1"	//
1" 1/2	1"	//
1" 1/2	1"	//
1" 1/2	1"	//
1" 1/2	1"	//
1" 1/2	1"	//
2"	1"1/4	1"
2"	1"1/4	2"

EXTRA-BOLLY® CALORIFIERS
 BOLLYTERM® CALORIFIERS
 STAINLESS STEEL CALORIFIERS
 CALORIFIERS FOR HEAT PUMP
 MULTIFUEL ENERGY CYLINDERS - PUFFER
 HYDRONIC
 INERTIAL TANKS
 WATER PRESSURE TANKS
 COMPRESSED AIR RECEIVERS
 ACCESSORIES AND SPARE PARTS
 TECHNICAL SUPPORT

PUFFER 2

HEATING WATER BUFFER TANK WITH 2 FIXED HEAT EXCHANGERS



APPLICATION

Efficient storage of heating hot water mostly using biomass, heat pumps or solar thermal energy sources.

MATERIAL

Mild steel outside painted. There is no need of any anti-corrosion treatment due to the fact that the buffer is in a closed circuit without any adding air.

HEAT EXCHANGERS

2 mild steel fixed heat exchangers

TECHNICAL DESCRIPTION

Used to improve flexibility of pellets, stoves and burners. PUFFER 2 are used in units with a typically discontinuous energy source such as biomass boiler and solar thermal system. PUFFER 2 allows the solar energy system integration as well as another thermal generator.

INSULATION

- HARD: High thermal insulation with ecological polyurethane hard foam.
- SOFT: NOFIRE® polyester fleece 100% made of recyclable material, with high thermal insulation. Fire resistance class B-s2d0 according to EN 13501.

Grey PVC external lining complete with top and flange cover

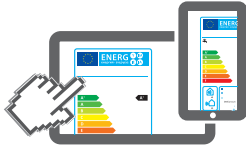
WARRANTY

5 years - See general sales conditions and warranty

ACCESSORIES AND SPARE PARTS

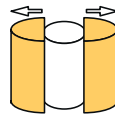
See Accessories section for the entire list.

HARD FOAM INSULATION



www.cordivari.com/erp

On line ErP label tool

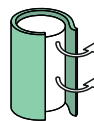


PUFFER 2 VB

Model	HARD FOAM insulation Art. Nr.	HEAT EXCHANGER SURFACE		ENERGY EFFICIENCY CLASS
		Upper	Lower	
		[m ²]		
500	3251162312703	1,3	1,9	C
600	3251162312704	1,3	2,1	C
750	3251162312715	1,8	2,5	C
800	3251162312716	1,5	2,3	C
1000	3251162312717	2,5	3,1	C
1500	3251162312709	2,8	3,8	C
2000	3251162312710	2,8	4,6	C

Model	DISMOUNTABLE HARD FOAM insulation Art. Nr.	HEAT EXCHANGER SURFACE		ENERGY EFFICIENCY CLASS
		Upper	Lower	
		[m ²]		
750	3251162312705	1,8	2,5	C
800	3251162312706	1,5	2,3	C
1000	3251162312707	2,5	3,1	C

SOFT FLEECE INSULATION



PUFFER 2 VC

Model	DISMOUNTABLE SOFT FLEECE insulation Art. Nr.	HEAT EXCHANGER SURFACE		ENERGY EFFICIENCY CLASS
		Upper	Lower	
		[m ²]		
750	3251162282824	1,8	2,5	C
800	3251162282825	1,5	2,3	C
1000	3251162282826	2,5	3,1	C
1500	3251162282827	2,8	3,8	C
2000	3251162282828	2,8	4,6	C

— Accessories on request —

Monophase and threephase electrical immersion

Available kit:	
[Kw]	Tension [V]
da 1,5 a 3	220 - MONOPHASE
da 4 a 9	400 - TRIPHASE
See accessories	

Thermometer

Art. Nr.	
5032240000107	
5 units box	

Buffer tanks connecting kit

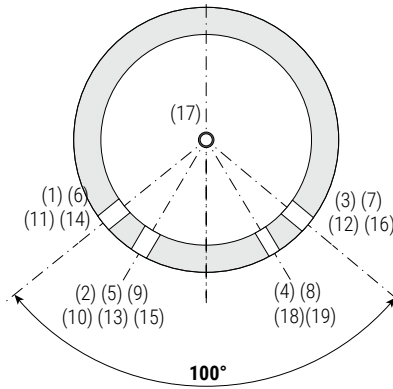
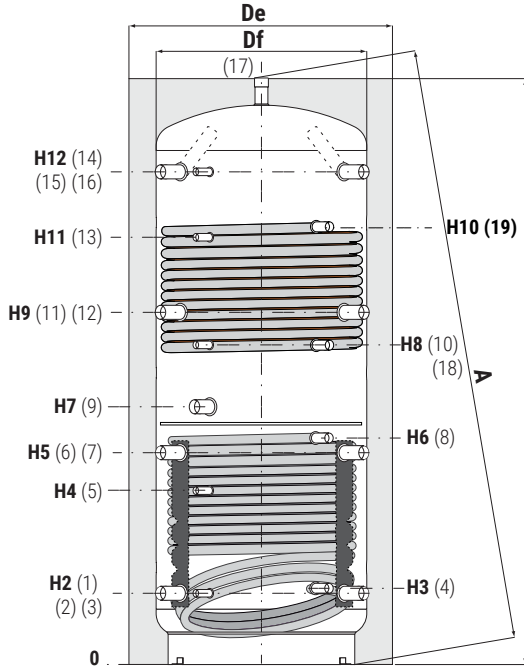
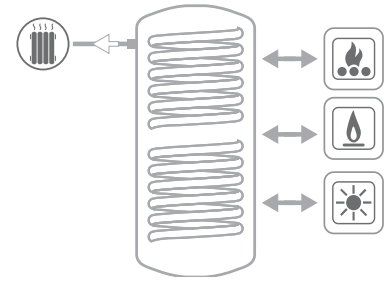
Art. Nr.	Connection	
5006170001001	1" 1/2	
Stainless steel extensible connecting kit - (200 ÷ 400 mm)		

PUFFER 2

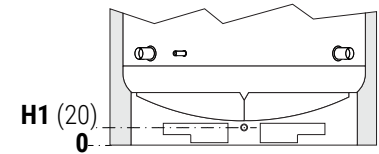
HEATING WATER BUFFER TANK WITH 2 FIXED HEAT EXCHANGERS

STORAGE		HEAT EXCHANGER	
Pmax	Tmax	Pmax	Tmax
3 bar	99 °C	12 bar	110 °C

CORDIVARI Lab
TÜV Rheinland Energie und Umwelt GmbH states that test procedures and Cordivari LAB are certified conforming to European standard EN 15332, as indicated by Ecodesign ErP Directive.



- 1-3-6-7** Heating return/To Generator
- 2-5** Connection for instrumentation 1/2" Gas F
- 4** Lower fixed heat exchanger outlet
- 8** Lower fixed heat exchanger inlet
- 9** Electrical immersion
- 10** Connection for instrumentation 1/2" Gas F
- 11-12-14-16** Heating delivery/ Heating return
- 13** Connection for instrumentation 1/2" Gas F
- 15** Connection for instrumentation 1/2" Gas F
- 17** Heating delivery
- 18** Upper fixed heat exchanger outlet 1" Gas F
- 19** Upper fixed heat exchanger inlet 1" Gas F



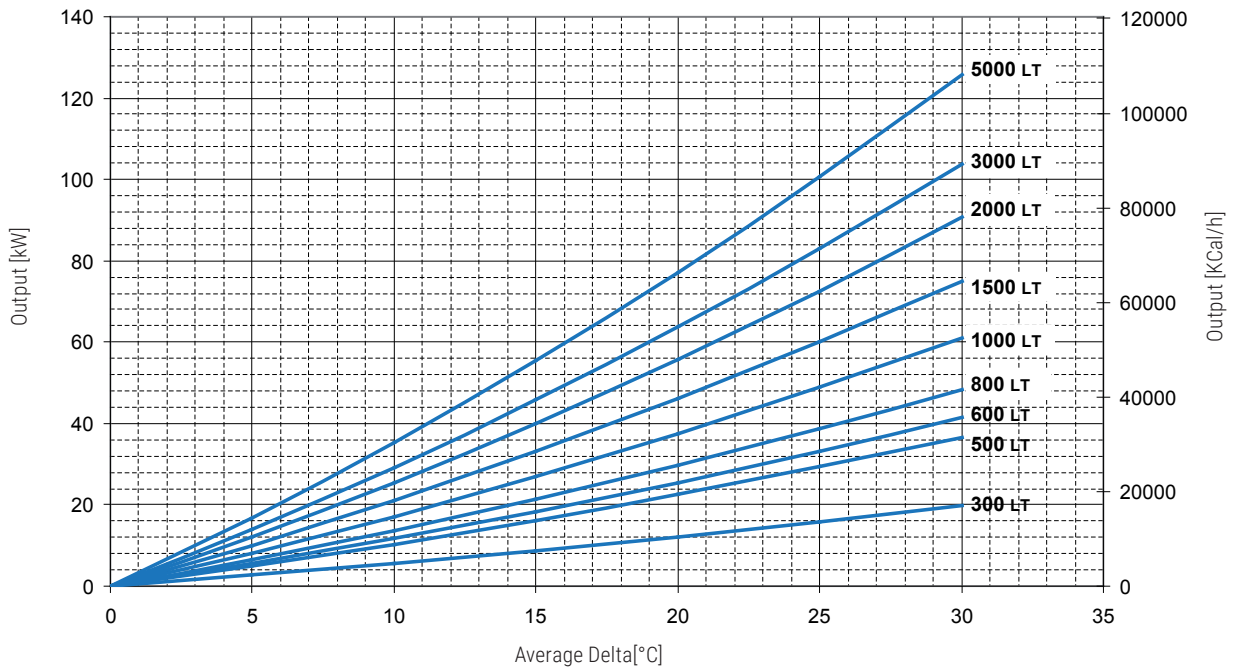
Model	Volume [lit]	Df (vers. VC) [mm]	De (vers. VC) [mm]	De (vers. VB) [mm]	H [mm]	A [mm]	H2 [mm]	H3 [mm]	H4 [mm]
500	478	//	//	750	1620	1784	247	260	533
600	560	//	//	750	1870	2014	247	260	582
750	717	790	1010	950	1658	1911	265	278	584
800	805	790	1010	950	1840	2071	265	278	584
1000	946	790	1010	950	2130	2332	265	284	656
1500	1435	950	1210	1100	2250	2504	313	336	736
2000	1973	1100	1360	1300	2320	2659	347	370	770

Model	H5 [mm]	H6 [mm]	H7 [mm]	H8 [mm]	H9 [mm]	H11 [mm]	H12 [mm]	1-3-6-7-9-11-12-14-16-17 Connections Gas F	4-8 Connections Gas F	20 Connections Gas F
500	629	745	841	930	1011	1231	1343	1" 1/2	1"	//
600	695	855	915	1060	1144	1382	1593	1" 1/2	1"	//
750	630	679	823	938	995	1180	1371	1" 1/2	1"	//
800	690	762	823	988	1115	1332	1541	1" 1/2	1"	//
1000	787	953	998	1188	1309	1588	1831	1" 1/2	1"	//
1500	845	1006	1061	1286	1377	1653	1909	1" 1/2	1"	//
2000	879	1001	1060	1300	1411	1687	1943	1" 1/2	1"	//

P.E.D. product designed and produced in conformity to the article 4.3 of directive 2014/68/UE - ErP Ecodesign directive 2009/125/CE

EXTRA-BOLLY® CALORIFIERS
BOLLYTERM® CALORIFIERS
STAINLESS STEEL CALORIFIERS
CALORIFIERS FOR HEAT PUMP
MULTIFUEL ENERGY CYLINDERS - PUFFER
HYDRONIC
INERTIAL TANKS
WATER PRESSURE TANKS
COMPRESSED AIR RECEIVERS
ACCESSORIES AND SPARE PARTS
TECHNICAL SUPPORT

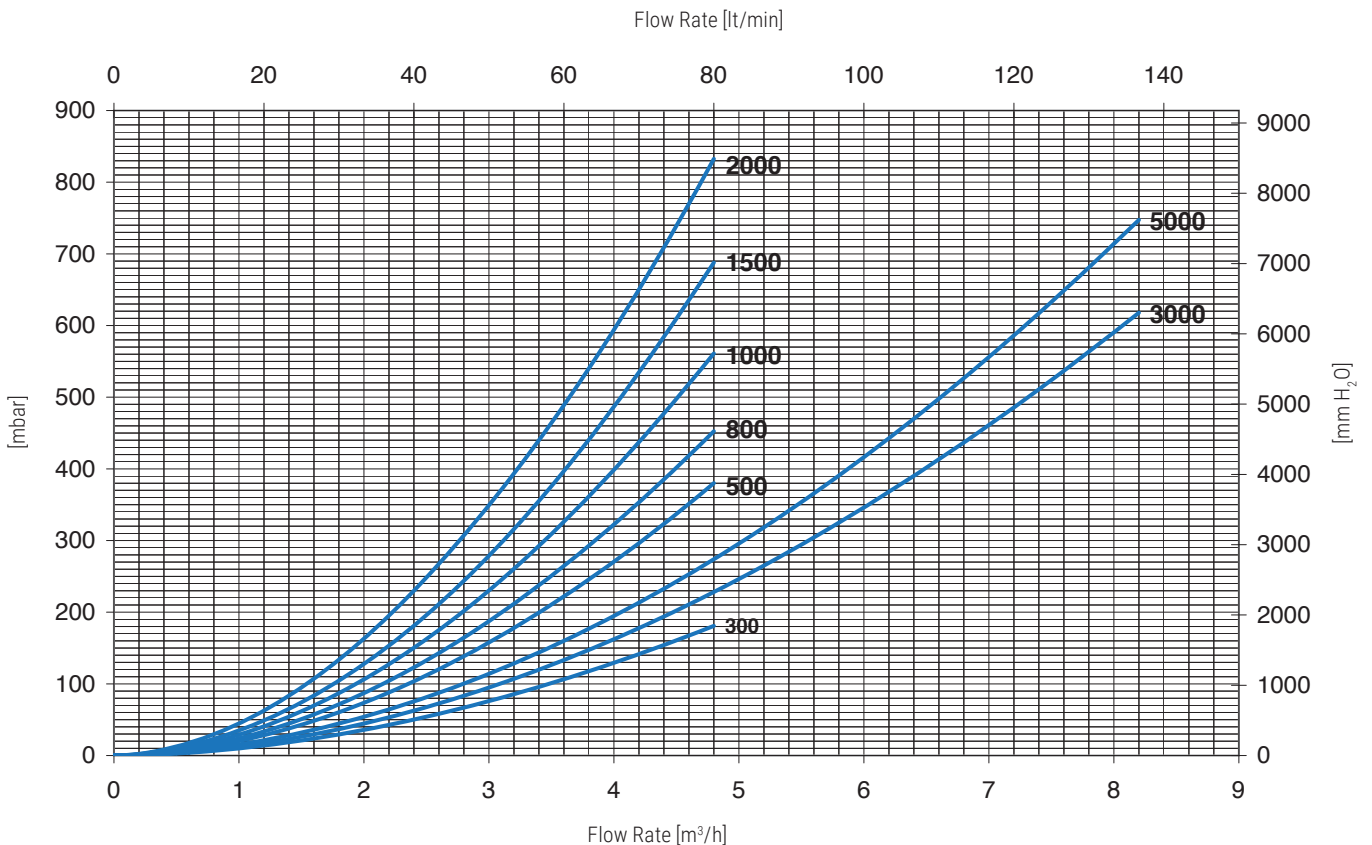
PUFFER 1 FIXED HEAT EXCHANGER POWERS CHART



Thermal output is given in both kW or kcal/h in terms of average temperature difference between primary and secondary circuit, all for a range of primary 3 m³/h. For example, a PUFFER 1 T of 1000 liters Capacity with a water flow of 3 m³/h at 80 °C inlet and outlet at 70 °C, has on the storage of water an average temperature of 60 °C, the mean difference of temperature will be: $(80 + 70) / 20 - 60 = 15$ °C and therefore you can exchange up to approximately 34 kW.

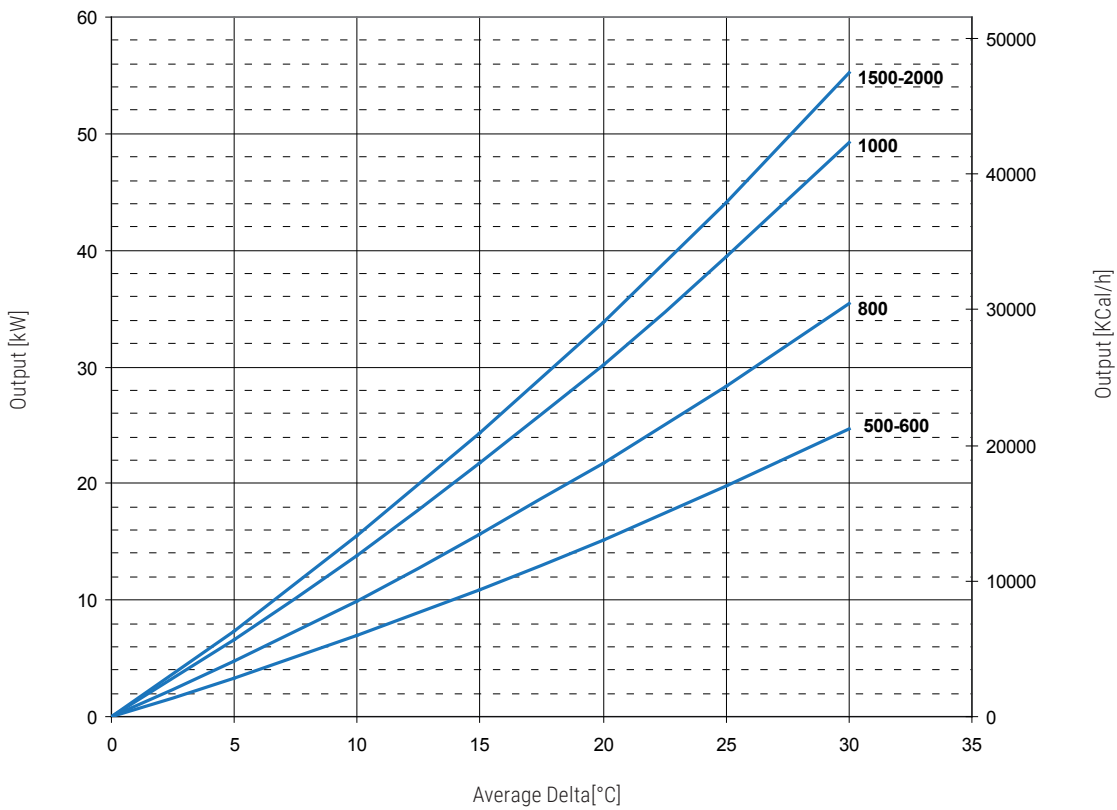
Output of the lower heat exchangers PUFFER 1 depending on the average DeltaT between primary and accumulation considering flow rate 3 m³/h.

PUFFER 1 FIXED HEAT EXCHANGER PRESSURE LOSS



PUFFER 2 - UPPER FIXED HEAT EXCHANGER POWERS CHART

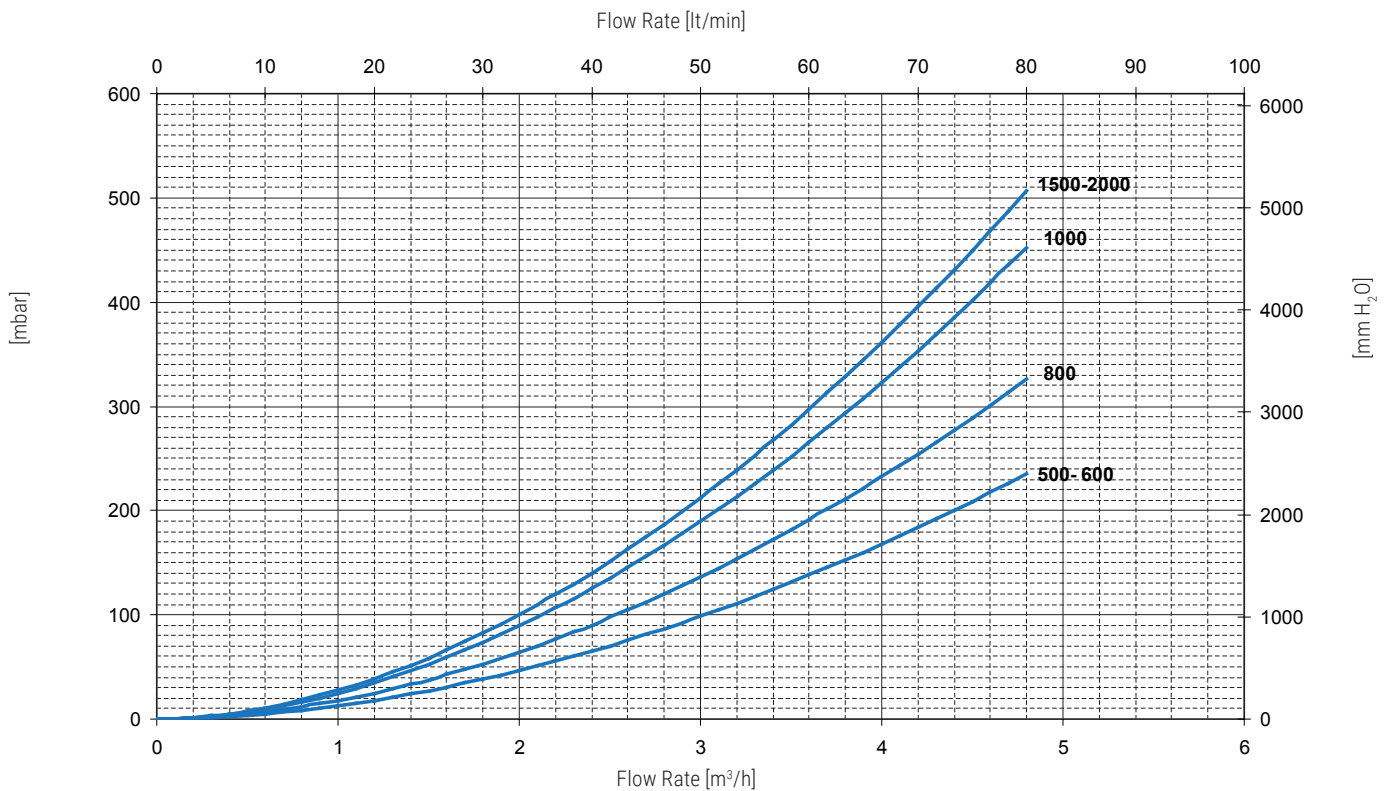
For lower exchanger power data see PUFFER 1



Output of the lower heat exchangers PUFFER 2 depending on the average DeltaT between primary and accumulation considering flow rate 3 m³/h.

PUFFER 2 UPPER FIXED HEAT EXCHANGER PRESSURE LOSS

For lower exchanger power data see PUFFER 1



EXTRA-BOLLY®
CALORIFIERS

BOLLYTERM®
CALORIFIERS

STAINLESS STEEL
CALORIFIERS

CALORIFIERS FOR
HEAT PUMP

MULTIFUEL ENERGY
CYLINDERS - PUFFER

HYDRONIC

INERTIAL
TANKS

WATER PRESSURE
TANKS

COMPRESSED AIR
RECEIVERS

ACCESSORIES
AND SPARE PARTS

TECHNICAL
SUPPORT

PUFFER 1 CTS®

STORAGE BUFFER TANKS FOR HEATING WATER WITH STRATIFICATION DEVICE AND 1 FIXED HEAT EXCHANGER



APPLICATION

Efficient storage of heating hot water mostly using biomass, heat pumps or solar thermal energy sources.

MATERIAL

Mild steel outside painted. There is no need of any anti-corrosion treatment due to the fact that the buffer is in a closed circuit without any adding air.

HEAT EXCHANGER

1 mild steel fixed heat exchanger with CTS® stratificator system.

TECHNICAL DESCRIPTION

Used to improve flexibility of pellets, stoves and burners. PUFFER 1 CTS® are used in units with a typically discontinuous energy source such as biomass boiler and solar thermal systems.

PUFFER 1 CTS® is characterized by multiple stratification system based on the combination of Cordivari Labyrinth spreader for returning heating water with a new stratification device that conveys

in the upper part of the tank the water heated up by the lower fixed heat exchanger. This combination ensures a perfect natural stratification inside the tank with no valve or additional external device.

The lower fixed exchanger allows the possibility of connecting with a solar system. Positioned at the bottom lower part of the buffer tank and with very small footprint, it increases the volume available for the storage.

INSULATION

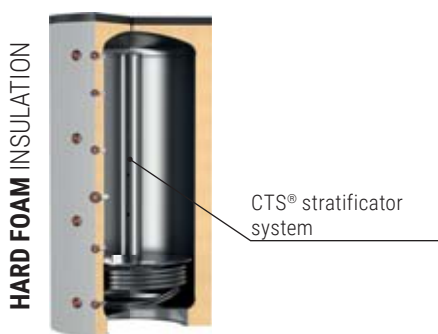
High thermal insulation with ecological hard polyurethane foam. Grey PVC external lining

WARRANTY

5 years - See general sales conditions and warranty

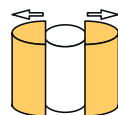
ACCESSORIES AND SPARE PARTS

See Accessories section for the entire list.

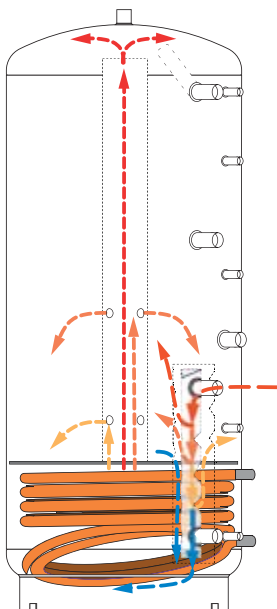


PUFFER 1 CTS® VB

Model	HARD FOAM insulation		HEAT EXCHANGER SURFACE [m ²]	ENERGY EFFICIENCY CLASS
	Art. Nr.			
500	3251162313002		1,9	C
600	3251162313003		2,1	C
800	3251162313014		2,5	C
1000	3251162313015		3,1	C
1500	3251162313006		3,8	C
2000	3251162313007		4,6	C

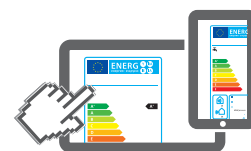


Model	DISMOUNTABLE HARD FOAM insulation		HEAT EXCHANGER SURFACE [m ²]	ENERGY EFFICIENCY CLASS
	Art. Nr.			
800	3251162313004		2,5	C
1000	3251162313005		3,1	C



SUITABLE FOR THERMAL SOLAR SYSTEMS

THE ILLUSTRATION UNDERLINES THE STRATIFICATION PROCESS (FROM TOP TO BOTTOM) THAT ALLOWS TO HAVE ALL ENERGY NEEDED RAPIDLY AVAILABLE



www.cordivari.com/erp

On line ErP label tool

Accessories on request

Monophase and threephase electrical immersion

Available kit:	
[Kw]	Tension [V]
da 1,5 a 3	220 - MONOPHASE
da 4 a 9	400 - TRIPHASE
See accessories	

Thermometer

Art. Nr.	
5032240000107	
5 units box	

Buffer tanks connecting kit

Art. Nr.	Connection	
5006170001001	1" 1/2	
Stainless steel extensible connecting kit - (200 ÷ 400 mm)		

PUFFER 1 CTS®

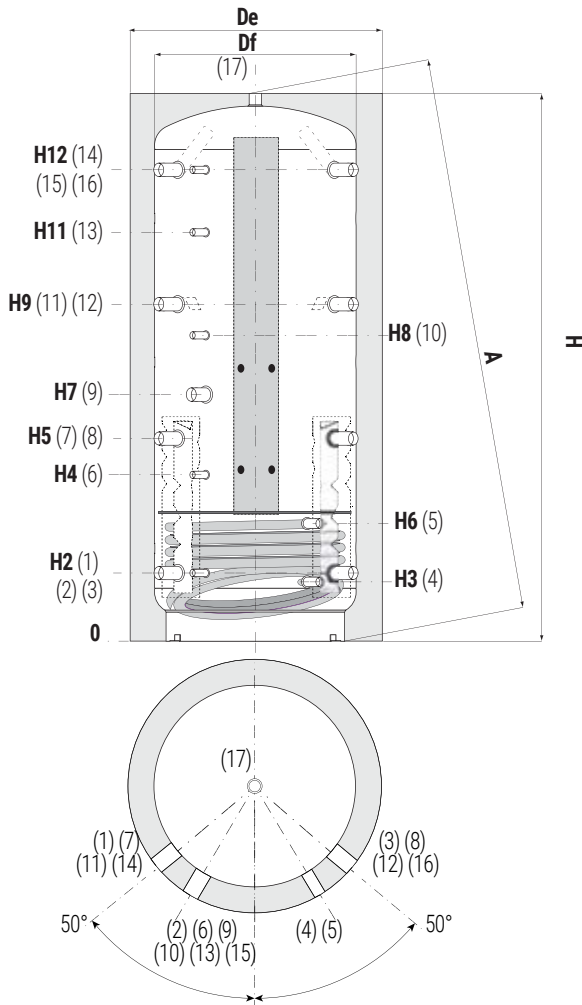
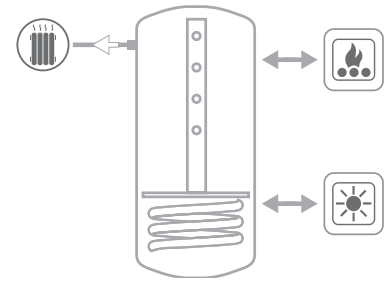
STORAGE BUFFER TANKS FOR HEATING WATER WITH STRATIFICATION DEVICE AND 1 FIXED HEAT EXCHANGER

STORAGE		HEAT EXCHANGER	
Pmax	Tmax	Pmax	Tmax
3 bar	99 °C	12 bar	110 °C

CORDIVARI Lab
TÜV Rheinland Energie und Umwelt GmbH states that test procedures and Cordivari LAB are certified conforming to European standard EN 15332, as indicated by Ecodesign ErP Directive.



ASK ALWAYS FOR CERTIFIED LABORATORIES DATA RESULTS



- 1-3-7-8** Heating return/To Generator 1" 1/2 Gas F
- 2** Connection for instrumentation 1/2" Gas F
- 4** Fixed heat exchanger outlet 1" Gas F
- 5** Fixed heat exchanger inlet 1" Gas F
- 6** Connection for instrumentation 1/2" Gas F
- 9** Electrical immersion 1" 1/2 Gas F
- 11-12-14-16** Heating delivery/ Heating return 1" 1/2 Gas F
- 13** Connection for instrumentation 1/2" Gas F
- 15** Connection for instrumentation 1/2" Gas F
- 17** Heating delivery / Air purge 1" 1/2 Gas F

Model	Volume [lt]	De	H	A	H2	H3	H4	H5	H7	H8	H9	H11	H12
500	478	750	1620	1784	247	215	533	629	841	930	1011	1231	1343
600	560	750	1870	2015	247	215	582	695	915	1060	1144	1382	1593
800	805	950	1840	2071	265	233	584	690	823	988	1115	1332	1541
1000	946	950	2130	2332	265	233	656	787	998	1188	1309	1588	1831
1500	1435	1100	2250	2504	313	281	736	845	1061	1286	1377	1653	1909
2000	1973	1300	2320	2659	347	315	770	879	1060	1300	1411	1687	1943

P.E.D. product designed and produced in conformity to the article 4.3 of directive 2014/68/UE - ErP Ecodesign directive 2009/125/CE

EXTRA-BOLLY® CALORIFIERS
BOLLYTERM® CALORIFIERS
STAINLESS STEEL CALORIFIERS
CALORIFIERS FOR HEAT PUMP
MULTIFUEL ENERGY CYLINDERS - PUFFER
HYDRONIC
INERTIAL TANKS
WATER PRESSURE TANKS
COMPRESSED AIR RECEIVERS
ACCESSORIES AND SPARE PARTS
TECHNICAL SUPPORT

PUFFER 2 CTS®

STORAGE BUFFER TANKS FOR HEATING WATER WITH STRATIFICATION DEVICE AND 2 FIXED HEAT EXCHANGERS



APPLICATION

Efficient storage of heating hot water mostly using biomass, heat pumps or solar thermal energy sources.

MATERIAL

Mild steel outside painted. There is no need of any anti-corrosion treatment due to the fact that the buffer is in a closed circuit without any adding air.

HEAT EXCHANGER

2 mild steel fixed heat exchangers with CTS® stratificator system.

TECHNICAL DESCRIPTION

Used to improve flexibility of pellets, stoves and burners. PUFFER 2 CTS® are used in units with a typically discontinuous energy source such as biomass boiler and solar thermal systems.

The PUFFER 2 CTS® is characterized by multiple stratification system based on the combination of Cordivari Labyrinth spreader for returning heating water with a brand new stratification device that convey in

the upper part of the tank the water heated up by the lower fixed heat exchanger. This combination ensures a perfect natural stratification inside the tank with no valve or additional external device.

The lower fixed exchanger allows the possibility of connecting with a solar system. Positioned at the bottom lower part of the buffer tank and with very small footprint, it increases the volume available for the storage.

INSULATION

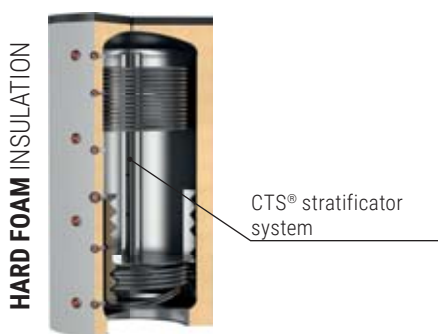
High thermal insulation with ecological hard polyurethane foam. Grey PVC external lining

WARRANTY

5 years - See general sales conditions and warranty

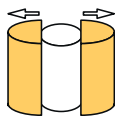
ACCESSORIES AND SPARE PARTS

See Accessories section for the entire list.

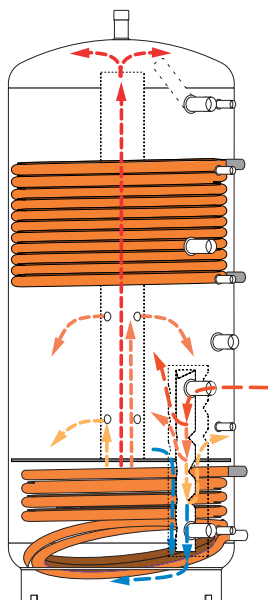


PUFFER 2 CTS® VB

Model	HARD FOAM insulation Art. Nr.	HEAT EXCHANGER SURFACE		ENERGY EFFICIENCY CLASS
		Upper	Lower	
		[m ²]		
500	3251162313702	1,3	1,9	C
600	3251162313703	1,3	2,1	C
800	3251162313714	1,8	2,5	C
1000	3251162313715	2,5	3,1	C
1500	3251162313706	2,8	3,8	C
2000	3251162313707	2,8	4,6	C

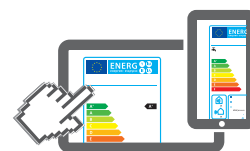


Model	DISMOUNTABLE HARD FOAM insulation Art. Nr.	Upper	Lower	ENERGY EFFICIENCY CLASS
		[m ²]		
800	3251162313704	1,8	2,5	C
1000	3251162313705	2,5	3,1	C



SUITABLE FOR THERMAL SOLAR SYSTEMS

THE ILLUSTRATION UNDERLINES THE STRATIFICATION PROCESS (FROM TOP TO BOTTOM) THAT ALLOWS TO HAVE ALL ENERGY NEEDED RAPIDLY AVAILABLE



www.cordivari.com/erp

On line ErP label tool

Accessories on request

Monophase and threephase electrical immersion

Available kit:	
[Kw]	Tension [V]
da 1,5 a 3	220 - MONOPHASE
da 4 a 9	400 - TRIPHASE
See accessories	

Thermometer

Art. Nr.	
5032240000107	
5 units box	

Buffer tanks connecting kit

Art. Nr.	Connection	
5006170001001	1" 1/2	
Stainless steel extensible connecting kit - (200 ÷ 400 mm)		

PUFFER 2 CTS®

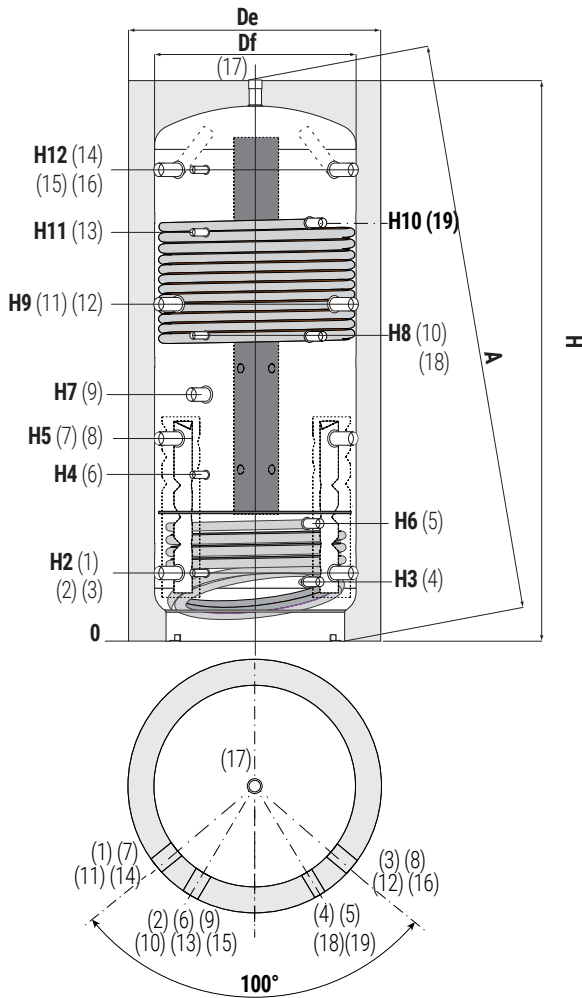
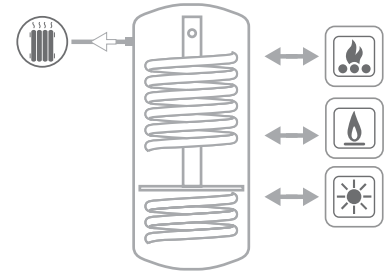
STORAGE BUFFER TANKS FOR HEATING WATER WITH STRATIFICATION DEVICE AND 2 FIXED HEAT EXCHANGERS

STORAGE		HEAT EXCHANGER	
Pmax	Tmax	Pmax	Tmax
3 bar	99 °C	12 bar	110 °C

CORDIVARI Lab
TÜV Rheinland Energie und Umwelt GmbH states that test procedures and Cordivari LAB are certified conforming to European standard EN 15332, as indicated by Ecodesign ErP Directive.



ASK ALWAYS FOR CERTIFIED LABORATORIES DATA RESULTS



- 1-3-7-8** Heating return/To Generator 1 1/2" Gas F
- 2** Connection for instrumentation 1/2" Gas F
- 4** Fixed heat exchanger outlet 1" Gas F
- 5** Fixed heat exchanger inlet 1" Gas F
- 6** Connection for instrumentation 1/2" Gas F
- 9** Electrical immersion 1 1/2" Gas F
- 10** Connection for instrumentation 1/2" Gas F
- 11-12-14-16** Heating delivery/ Heating return 1 1/2" Gas F
- 13** Connection for instrumentation 1/2" Gas F
- 15** Connection for instrumentation 1/2" Gas F
- 17** Heating delivery / Air purge 1 1/2" Gas F
- 18** Upper fixed heat exchanger outlet 1" Gas F
- 19** Upper fixed heat exchanger inlet 1" Gas F

Model	Volume [lt]	De	H	A	H2	H3	H4	H5	H7	H8	H9	H10	H11	H12
500	478	750	1620	1784	247	215	533	629	841	930	1011	1231	1231	1343
600	560	750	1870	2015	247	215	582	695	915	1060	1144	1361	1382	1593
800	805	950	1840	2071	265	233	584	690	823	988	1115	1332	1332	1541
1000	946	950	2130	2332	265	233	656	787	998	1188	1309	1661	1588	1831
1500	1435	1100	2250	2504	313	281	736	845	1061	1286	1377	1673	1653	1909
2000	1973	1300	2320	2659	347	315	770	879	1060	1300	1411	1687	1687	1943

P.E.D. product designed and produced in conformity to the article 4.3 of directive 2014/68/UE - ErP Ecodesign directive 2009/125/CE

EXTRA-BOLLY® CALORIFIERS
BOLLYTERM® CALORIFIERS
STAINLESS STEEL CALORIFIERS
CALORIFIERS FOR HEAT PUMP
MULTIFUEL ENERGY CYLINDERS - PUFFER
HYDRONIC
INERTIAL TANKS
WATER PRESSURE TANKS
COMPRESSED AIR RECEIVERS
ACCESSORIES AND SPARE PARTS
TECHNICAL SUPPORT

MULTIFUEL ENERGY CYLINDERS



EXTRA-BOLLY®
CALORIFIERS

BOLLYTERM®
CALORIFIERS

STAINLESS STEEL
CALORIFIERS

CALORIFIERS FOR
HEAT PUMP

MULTIFUEL ENERGY
CYLINDERS - PUFFER

HYDRONIC

INERTIAL
TANKS

WATER PRESSURE
TANKS

COMPRESSED AIR
RECEIVERS

ACCESSORIES
AND SPARE PARTS

TECHNICAL
SUPPORT

MULTIFUEL ENERGY CYLINDERS RANGE



COMBI

ECO-COMBI

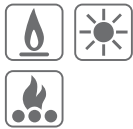
ECO-COMBI "DOMUS"

Heat exchanger model	-Spiral fixed heat exchanger - D.H.W. storage material: 316L stainless steel / Polywarm®	- Spiral fixed heat exchanger - Corrugated 316L stainless steel pipe for D.H.W. production	- Spiral fixed heat exchanger - Corrugated 316L stainless steel pipe for D.H.W. production
Number of heat exchangers			
Energy source			
Energy efficiency class	C	C	B-C
Insulation	- Polyurethane hard foam - Dismountable polyester fleece	- Polyurethane hard foam - Dismountable polyester fleece	Polyurethane hard foam
Available range	500 ÷ 2000	500 ÷ 2000	200 - 300
Installation	floor standing	floor standing	floor standing
Suggested Application	Biomass and other energy source installations	Biomass and other energy source installations	Biomass and other energy source installations



PUFFERMAS®

- MACS® module for DHW production



C

Polyurethane hard foam

500 ÷ 1500

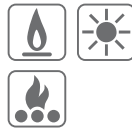
floor standing

Biomass and other energy source installations



PUFFERMAS® CTS

- Spiral fixed heat exchanger
- MACS® module for DHW production



C

Polyurethane hard foam

500 ÷ 1500

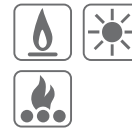
floor standing

Biomass and solar installations



PUFFERMAS® CTS POWER

- Spiral fixed heat exchanger
- MACS® module for DHW production
- Integrated solar station



C

Polyurethane hard foam

500 ÷ 1500

floor standing

Biomass and solar installations

EXTRA-BOLLY®
CALORIFIERS

BOLLYTERM®
CALORIFIERS

STAINLESS STEEL
CALORIFIERS

CALORIFIERS FOR
HEAT PUMP

MULTIFUEL ENERGY
CYLINDERS - PUFFER

HYDRONIC

INERTIAL
TANKS

WATER PRESSURE
TANKS

COMPRESSED AIR
RECEIVERS

ACCESSORIES
AND SPARE PARTS

TECHNICAL
SUPPORT

COMBI 1

MULTI-HEAT ENERGY BUFFER WITH POLYWARM® COATED TANK IN TANK CALORIFIER FOR D.H.W.



APPLICATION

Heating hot water storage and D.H.W. production.

MATERIAL

Buffer tank: Mild steel construction with exterior paint. No anti-corrosion treatment required due to the buffer's closed circuit system.

D.H.W. storage: Mild steel Polywarm® coated (Attestation ACS - SSICA - DVGW - W270 - UBA - WRAS)

TECHNICAL DESCRIPTION

Multi-Heat Energy tanks Combi1 are used in units with a typically discontinuous energy source for double use: heating system and sanitary hot water system.

INSULATION

- **HARD:** High thermal insulation with ecological polyurethane hard foam.
- **SOFT:** NOFIRE® polyester fleece 100% made of recyclable material, with high thermal insulation. Fire resistance class B-s2d0 according to EN 13501.

Grey PVC external lining complete with top cover

CATHODE PROTECTION

Chain magnesium anode

WARRANTY

5 years - See general sales conditions and warranty

ACCESSORIES AND SPARE PARTS

See Accessories section for the entire list.



HARD FOAM INSULATION

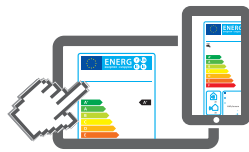


COMBI 1 WB

D.H.W. STORAGE

ENERGY EFFICIENCY CLASS

Model	HARD FOAM insulation Art. Nr.	Volume [lt]	Surface [m²]	ErP
500	3270162314001	99	1,1	C
600	3270162314002	146	1,3	C
800	3270162314003	191	1,6	C
1000	3270162314004	226	1,8	C
1500	3270162314005	412	2,5	C
2000	3270162314006	566	3,1	C



www.cordivari.com/erp

On line ErP label tool

SOFT FLEECE INSULATION



COMBI 1 WC

D.H.W. STORAGE

ENERGY EFFICIENCY CLASS

Model	DISMOUNTABLE SOFT FLEECE insulation Art. Nr.	Volume [lt]	Surface [m²]	ErP
800	3270162284012	191	1,6	C
1000	3270162284013	226	1,8	C
1500	3270162284014	412	2,5	C
2000	3270162284015	566	3,1	C

FOR 316L STAINLESS STEEL MODELS - SEE PAGE 134

Accessories on request

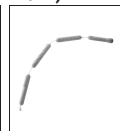
Thermometer

Art. Nr.	
5032240000107	
5 units box	



Chain magnesium anode (connection 3/4")

Art. Nr.	For models
5200000041007	800÷2000
5200000041016	500,600
N° 2 chain anodes + insulated cap + gasket	



Buffer tanks connecting kit

Art. Nr.	Connection
5006170001001	1" 1/2
Stainless steel extensible connecting kit - (200 ÷ 400 mm)	



COMBI 1

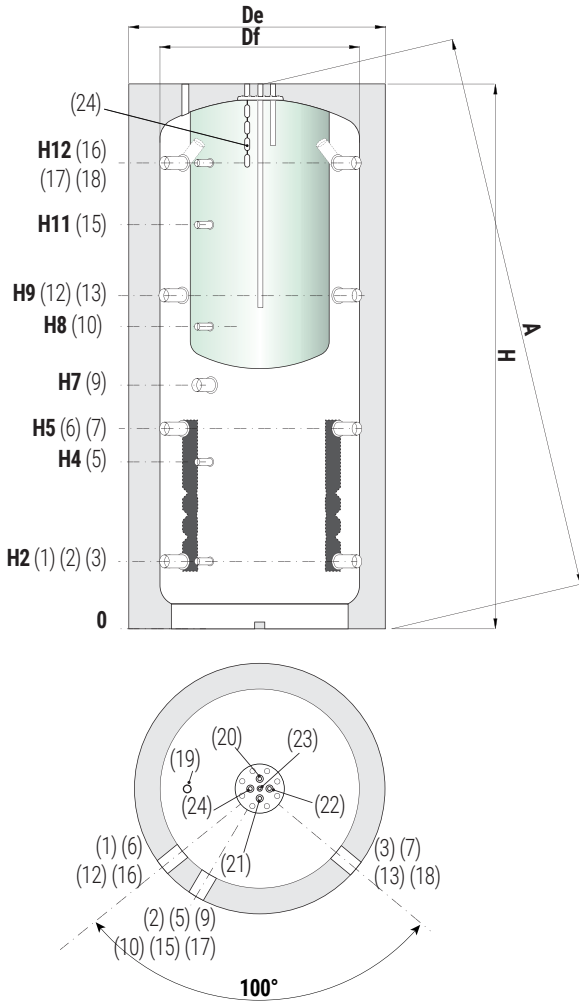
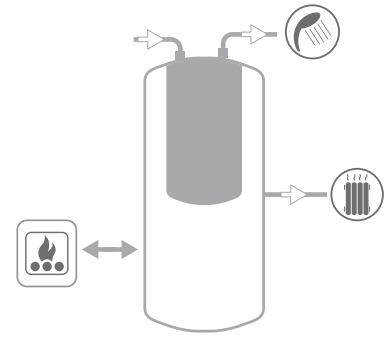
MULTI-HEAT ENERGY BUFFER WITH POLYWARM® COATED TANK IN TANK CALORIFIER FOR D.H.W.

TECHNICAL STORAGE		D.H.W. STORAGE	
Pmax	Tmax	Pmax	Tmax
3 bar	99 °C	6 bar	90 °C

CORDIVARI Lab
TÜV Rheinland Energie und Umwelt GmbH states that test procedures and Cordivari LAB are certified conforming to European standard EN 15332, as indicated by Ecodesign ErP Directive.



ASK ALWAYS FOR CERTIFIED LABORATORIES DATA RESULTS



- 1-3** Heating return/To Generator 1*1/2 Gas F
- 2** Connection for instrumentation 1/2" Gas F
- 5** Connection for instrumentation 1/2" Gas F
- 6-7** Heating return/To Generator 1*1/2 Gas F
- 9** Electrical immersion 1*1/2 Gas F
- 10** Connection for instrumentation 1/2" Gas F
- 12-13** Heating return/To additional generator/Heating delivery 1*1/2 Gas F
- 15** Connection for instrumentation 1/2" Gas F
- 16-18** Heating return/Heating delivery 1*1/2 Gas F
- 17** Connection for instrumentation 1/2" Gas F
- 19** Air purge 1/2" Gas F
- 20** Domestic hot water inlet 3/4" Gas F
- 21** Domestic hot water outlet 3/4" Gas F
- 22** Recirculation 3/4" Gas F
- 23** Connection for instrumentation 1/2" Gas F
- 24** Chain magnesium anode 3/4" Gas F



Model	Volume [lt]	Df (vers. WC)	De (vers. WC)	De (vers. WB)	H	A	H2	H4	H5	H7	H9	H11	H12
		[mm]											
500	478	//	//	750	1670	2108	247	533	629	841	1011	1231	1343
600	560	//	//	750	1920	2061	247	582	695	915	1144	1382	1593
800	803	790	1010	950	1890	2111	265	584	690	823	1115	1332	1541
1000	944	790	1010	950	2180	2374	265	656	787	998	1309	1588	1831
1500	1431	950	1210	1100	2300	2550	313	736	845	1061	1377	1653	1909
2000	1961	1100	1360	1300	2370	2703	347	770	879	1060	1411	1687	1943

P.E.D. product designed and produced in conformity to the article 4.3 of directive 2014/68/UE - ErP Ecodesign directive 2009/125/CE

EXTRA-BOLLY® CALORIFIERS
BOLLYTERM® CALORIFIERS
STAINLESS STEEL CALORIFIERS
CALORIFIERS FOR HEAT PUMP
MULTIFUEL ENERGY CYLINDERS - PUFFER
HYDRONIC
INERTIAL TANKS
WATER PRESSURE TANKS
COMPRESSED AIR RECEIVERS
ACCESSORIES AND SPARE PARTS
TECHNICAL SUPPORT

COMBI 2

MULTI-HEAT ENERGY BUFFER WITH POLYWARM® COATED TANK IN TANK CALORIFIER FOR D.H.W. AND 1 FIXED HEAT EXCHANGER



APPLICATION

Heating hot water storage and D.H.W. production.

MATERIAL

Buffer tank: Mild steel construction with exterior paint. No anti-corrosion treatment required due to the buffer's closed circuit system.

D.H.W. storage: Mild steel Polywarm® coated (Attestation ACS - SSICA - DVGW - W270 - UBA - WRAS)

HEAT EXCHANGER

1 fixed heat exchanger.

TECHNICAL DESCRIPTION

Multi-Heat Energy tanks Combi2 are used in units with a typically discontinuous energy source for double use: heating systems and domestic hot water systems.

INSULATION

- HARD: High thermal insulation with ecological polyurethane hard foam.

- SOFT: NOFIRE® polyester fleece 100% made of recyclable material, with high thermal insulation. Fire resistance class B-s2d0 according to EN 13501.

Grey PVC external lining complete with top cover

CATHODE PROTECTION

Chain magnesium anode

WARRANTY

5 years - See general sales conditions and warranty

ACCESSORIES AND SPARE PARTS


See Accessories section for the entire list.

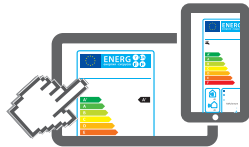


HARD FOAM INSULATION



COMBI 2 WB

Model	HARD FOAM insulation Art. Nr.	D.H.W. STORAGE		HEAT EXCHANGER		ENERGY EFFICIENCY CLASS 
		Volume [lt]	Surface [m²]	Volume [lt]	Surface [m²]	
500	3270162314101	99	1,1	11,5	1,9	C
600	3270162314102	146	1,3	18	2,8	C
800	3270162314103	191	1,6	20	3,1	C
1000	3270162314104	226	1,8	24	3,7	C
1500	3270162314105	412	2,5	32	4,9	C
2000	3270162314106	566	3,1	35	5,4	C




www.cordivari.com/erp

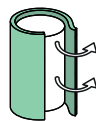
On line ErP label tool

SOFT FLEECE INSULATION



COMBI 2 WC

Model	DISMOUNTABLE SOFT FLEECE insulation Art. Nr.	D.H.W. STORAGE		HEAT EXCHANGER		ENERGY EFFICIENCY CLASS 
		Volume [lt]	Surface [m²]	Volume [lt]	Surface [m²]	
800	3270162284112	191	1,6	20	3,1	C
1000	3270162284113	226	1,8	24	3,7	C
1500	3270162284114	412	2,5	32	4,9	C
2000	3270162284115	566	3,1	35	5,4	C



FOR 316L STAINLESS STEEL MODELS - SEE PAGE 136

Accessories on request

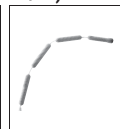
Thermometer

Art. Nr.	
5032240000107	
5 units box	



Chain magnesium anode (connection 3/4")

Art. Nr.	For models
5200000041007	800÷2000
5200000041016	500,600
N° 2 chain anodes + insulated cap + gasket	



Buffer tanks connecting kit

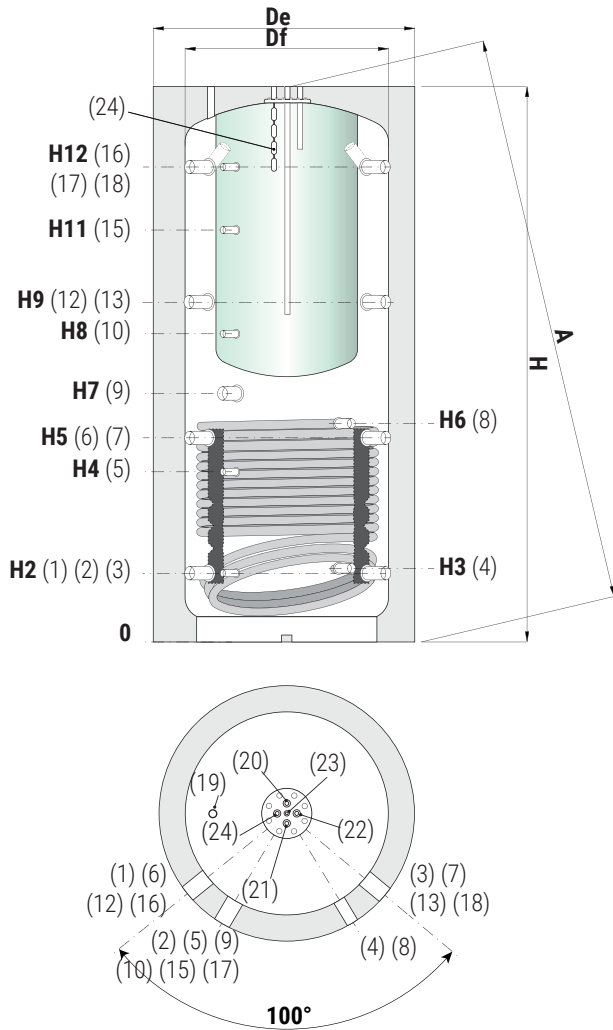
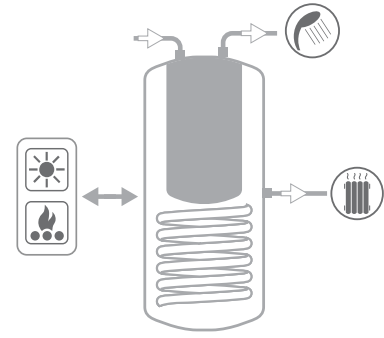
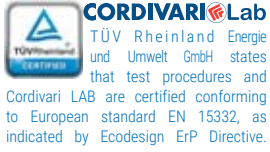
Art. Nr.	Connection
5006170001001	1" 1/2
Stainless steel extensible connecting kit - (200 ÷ 400 mm)	



COMBI 2

MULTI-HEAT ENERGY BUFFER WITH POLYWARM® COATED TANK IN TANK CALORIFIER FOR D.H.W. AND 1 FIXED HEAT EXCHANGER

TECHNICAL STORAGE		D.H.W. STORAGE		FIXED HEAT EXCHANGER	
Pmax	Tmax	Pmax	Tmax	Pmax	Tmax
3 bar	99 °C	6 bar	90 °C	12 bar	110 °C



- 1-3** Heating return/To Generator 1"1/2 Gas F
- 2** Connection for instrumentation 1/2" Gas F
- 4** Lower fixed heat exchanger outlet 1" Gas F
- 5** Connection for instrumentation 1/2" Gas F
- 6-7** Heating return/To Generator 1"1/2 Gas F
- 8** Lower fixed heat exchanger inlet 1" Gas F
- 9** Electrical immersion 1"1/2 Gas F
- 10** Connection for instrumentation 1/2" Gas F
- 12-13** Heating return/To additional generator/Heating delivery 1"1/2 Gas F
- 15** Connection for instrumentation 1/2" Gas F
- 16-18** Heating return/Heating delivery 1"1/2 Gas F
- 17** Connection for instrumentation 1/2" Gas F
- 19** Air purge 1/2" Gas F
- 20** Domestic hot water inlet 3/4" Gas F
- 21** Domestic hot water outlet 3/4" Gas F
- 22** Recirculation 3/4" Gas F
- 23** Connection for instrumentation 1/2" Gas F
- 24** Chain magnesium anode 3/4" Gas F



Model	Volume [lt]	Df (vers. WC)	De (vers. WC)	De (vers. WB)	H	A	H2	H4	H5	H7	H9	H11	H12
		[mm]											
500	478	//	//	750	1670	2108	247	533	629	841	1011	1231	1343
600	560	//	//	750	1920	2061	247	582	695	915	1144	1382	1593
800	803	790	1010	950	1890	2111	265	584	690	823	1115	1332	1541
1000	944	790	1010	950	2180	2374	265	656	787	998	1309	1588	1831
1500	1431	950	1210	1100	2300	2550	313	736	845	1061	1377	1653	1909
2000	1961	1100	1360	1300	2370	2703	347	770	879	1060	1411	1687	1943

P.E.D. product designed and produced in conformity to the article 4.3 of directive 2014/68/UE - ErP Ecodesign directive 2009/125/CE

EXTRA-BOLLY® CALORIFIERS
BOLLYTERM® CALORIFIERS
STAINLESS STEEL CALORIFIERS
CALORIFIERS FOR HEAT PUMP
MULTIFUEL ENERGY CYLINDERS - PUFFER
HYDRONIC
INERTIAL TANKS
WATER PRESSURE TANKS
COMPRESSED AIR RECEIVERS
ACCESSORIES AND SPARE PARTS
TECHNICAL SUPPORT

COMBI 3

MULTI-HEAT ENERGY BUFFER WITH POLYWARM® COATED TANK IN TANK CALORIFIER FOR D.H.W. AND 2 FIXED HEAT EXCHANGERS



APPLICATION

Heating hot water storage and D.H.W. production.

MATERIAL

Buffer tank: Mild steel construction with exterior paint. No anti-corrosion treatment required due to the buffer's closed circuit system.

D.H.W. storage: Mild steel Polywarm® coated (Attestation ACS - SSICA - DVGW - W270 - UBA - WRAS)

HEAT EXCHANGERS

2 fixed heat exchangers

TECHNICAL DESCRIPTION

Multi-Heat Energy tanks Combi3 are used in units with a typically discontinuous energy source for double use: heating systems and domestic hot water systems.

INSULATION

- **HARD:** High thermal insulation with ecological polyurethane hard foam.
- **SOFT:** NOFIRE® polyester fleece 100% made of recyclable material, with high thermal insulation. Fire resistance class B-s2d0 according to EN 13501.

Grey PVC external lining complete with top cover

CATHODE PROTECTION

Chain magnesium anode

WARRANTY

5 years - See general sales conditions and warranty

ACCESSORIES AND SPARE PARTS

See Accessories section for the entire list.

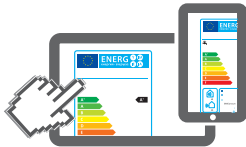


HARD FOAM INSULATION



COMBI 3 WB

Model	HARD FOAM insulation Art. Nr.	D.H.W. STORAGE		UPPER HEAT EXCHANGER		LOWER HEAT EXCHANGER		ENERGY EFFICIENCY CLASS ErP
		Volume [lt]	Surface [m²]	Volume [lt]	Surface [m²]	Volume [lt]	Surface [m²]	
500	3270162314201	99	1,1	8	1,3	11,5	1,9	C
600	3270162314202	146	1,3	12	1,9	18	2,8	C
800	3270162314203	191	1,6	16	2,4	20	3,1	C
1000	3270162314204	226	1,8	20	3,1	24	3,7	C
1500	3270162314205	412	2,5	23	3,5	32	4,9	C
2000	3270162314206	566	3,1	27	4,1	35	5,4	C



www.cordivari.com/erp

On line ErP label tool

SOFT FLEECE INSULATION



COMBI 3 WC

Model	DISMOUNTABLE SOFT FLEECE insulation Art. Nr.	D.H.W. STORAGE		UPPER HEAT EXCHANGER		LOWER HEAT EXCHANGER		ENERGY EFFICIENCY CLASS ErP
		Volume [lt]	Surface [m²]	Volume [lt]	Surface [m²]	Volume [lt]	Surface [m²]	
800	3270162284212	191	1,6	16	2,4	20	3,1	C
1000	3270162284213	226	1,8	20	3,1	24	3,7	C
1500	3270162284214	412	2,5	23	3,5	32	4,9	C
2000	3270162284215	566	3,1	27	4,1	35	5,4	C

FOR 316L STAINLESS STEEL MODELS - SEE PAGE 138

— Accessories on request —

Thermometer

Art. Nr.	
5032240000107	
5 units box	

Chain magnesium anode (connection 3/4")

Art. Nr.	For models	
5200000041007	800÷2000	
5200000041016	500,600	
N° 2 chain anodes + insulated cap + gasket		

Buffer tanks connecting kit

Art. Nr.	Connection	
5006170001001	1" 1/2	
Stainless steel extensible connecting kit - (200 ÷ 400 mm)		

COMBI 3

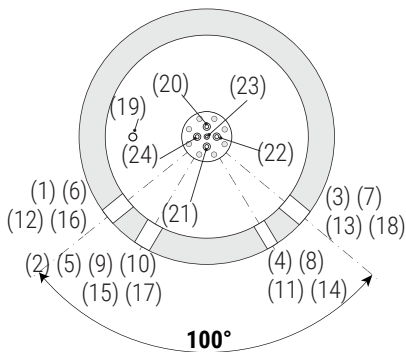
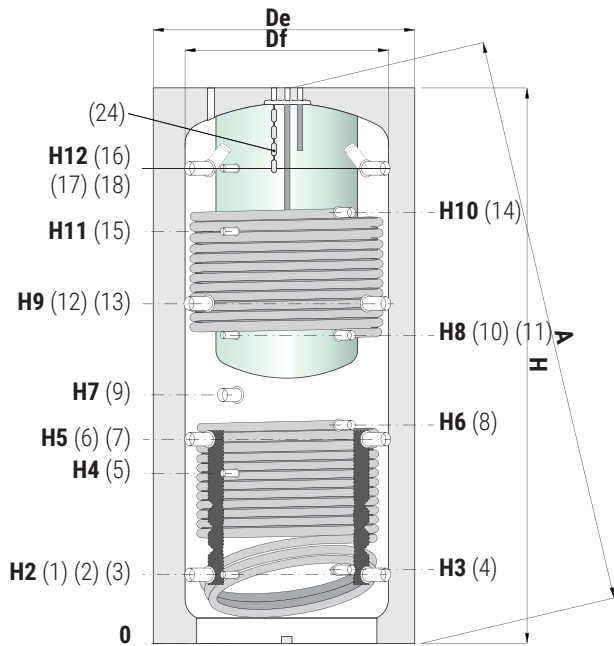
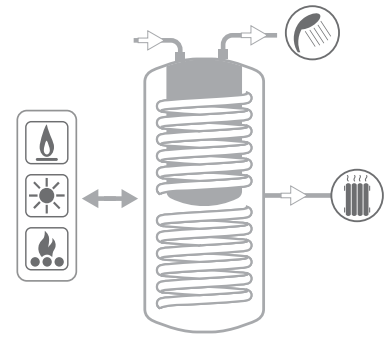
MULTI-HEAT ENERGY BUFFER WITH POLYWARM® COATED TANK IN TANK CALORIFIER FOR D.H.W. AND 2 FIXED HEAT EXCHANGERS

TECHNICAL STORAGE		D.H.W. STORAGE		FIXED HEAT EXCHANGER	
Pmax	Tmax	Pmax	Tmax	Pmax	Tmax
3 bar	99 °C	6 bar	90 °C	12 bar	110 °C

CORDIVARI Lab
TÜV Rheinland Energie und Umwelt GmbH states that test procedures and Cordivari LAB are certified conforming to European standard EN 15332, as indicated by Ecodesign ErP Directive.



ASK ALWAYS FOR CERTIFIED LABORATORIES DATA RESULTS



- 1-3** Heating return/To Generator 1"1/2 Gas F
- 2** Connection for instrumentation 1/2" Gas F
- 4** Lower fixed heat exchanger outlet 1" Gas F
- 5** Connection for instrumentation 1/2" Gas F
- 6-7** Heating return/To Generator 1"1/2 Gas F
- 8** Lower fixed heat exchanger inlet 1" Gas F
- 9** Electrical immersion 1"1/2 Gas F
- 10** Connection for instrumentation 1/2" Gas F
- 11** Upper fixed heat exchanger outlet 1" Gas F
- 12-13** Heating return/To additional generator/Heating delivery 1"1/2 Gas F
- 14** Upper fixed heat exchanger inlet 1" Gas F
- 15** Connection for instrumentation 1/2" Gas F
- 16-18** Heating return/Heating delivery 1"1/2 Gas F
- 17** Connection for instrumentation 1/2" Gas F
- 19** Air purge 1/2" Gas F
- 20** Domestic hot water inlet 3/4" Gas F
- 21** Domestic hot water outlet 3/4" Gas F
- 22** Recirculation 3/4" Gas F
- 23** Connection for instrumentation 1/2" Gas F
- 24** Chain magnesium anode 3/4" Gas F



Model	Volume [lt]	Df (vers. WC)	De (vers. WC)	De (vers. WB)	H	A	H2	H3	H4	H5	H6	H7	H8	H9	H10	H11	H12
		[mm]															
500	478	//	//	750	1670	2108	247	260	533	629	744	841	930	1011	1231	1231	1343
600	560	//	//	750	1920	2061	247	260	582	695	855	915	1060	1144	1500	1382	1593
800	803	790	1010	950	1890	2111	265	278	584	690	762	823	988	1115	1428	1332	1541
1000	944	790	1010	950	2180	2374	265	284	656	787	953	998	1188	1309	1748	1588	1831
1500	1431	950	1210	1100	2300	2550	313	336	736	845	1006	1061	1286	1377	1805	1653	1909
2000	1961	1100	1360	1300	2370	2703	347	370	770	879	1001	1060	1300	1411	1820	1687	1943

P.E.D. product designed and produced in conformity to the article 4.3 of directive 2014/68/UE - ErP Ecodesign directive 2009/125/CE

EXTRA-BOLLY® CALORIFIERS
BOLLYTERM® CALORIFIERS
STAINLESS STEEL CALORIFIERS
CALORIFIERS FOR HEAT PUMP
MULTIFUEL ENERGY CYLINDERS - PUFFER
HYDRONIC
INERTIAL TANKS
WATER PRESSURE TANKS
COMPRESSED AIR RECEIVERS
ACCESSORIES AND SPARE PARTS
TECHNICAL SUPPORT

COMBI - OUTPUT AND PERFORMANCES

D.H.W. STORAGE PERFORMANCES

Model	COMPLETE HEATED STORAGE VOLUME				UPPER PART HEATED STORAGE VOLUME		
	DHW Volume	DHW exchanger surface	Max sanitary water produced from 10°C to 45°C with storage at 65°C and boiler on	Max sanitary water produced from 10°C to 45°C with storage at 65°C and boiler off	Max sanitary water produced from 10°C to 45°C with storage at 65°C and boiler on	Max sanitary water produced from 10°C to 45°C with storage at 65°C and boiler off	
	[litres]	[m ²]	[lt/min]	[litres]	[lt/min]	[litres]	
500	99	1,1	2,5	10 lt/min: 198 lt	1,57	10 lt/min: 148 lt	
				25 lt/min: 176 lt		25 lt/min: 132 lt	
600	146	1,3	3,0	10 lt/min: 239 lt	1,86	10 lt/min: 179 lt	
				25 lt/min: 213 lt		25 lt/min: 160 lt	
800	191	1,6	3,5	10 lt/min: 320 lt	2,17	10 lt/min: 240 lt	
				25 lt/min: 280 lt		25 lt/min: 210 lt	

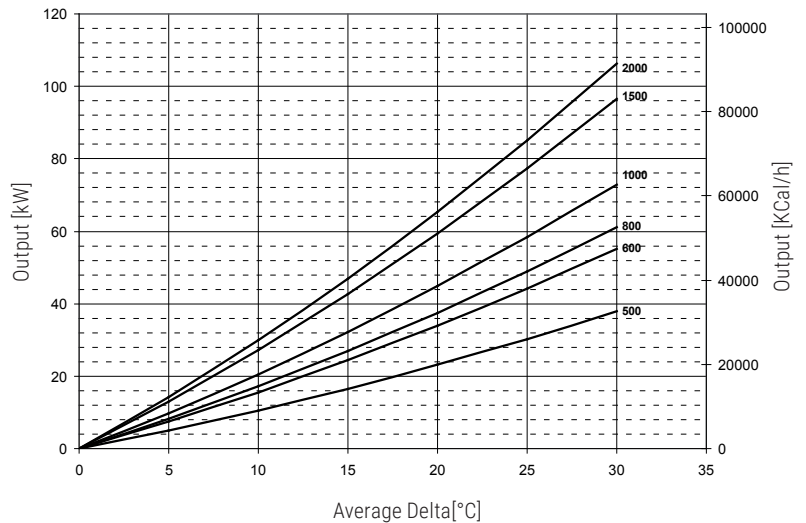
COMBI 2 - COMBI 3 - LOWER FIXED HEAT EXCHANGERS POWERS CHART

Output of the Combi 2 - Combi 3 lower heat exchangers depending on the average DeltaT between primary and accumulation considering flow rate 3 m³/h.

Thermal output is given in both kW or kcal/h in terms of average temperature difference between primary and secondary circuit, all for a range of primary 3 m³/h.

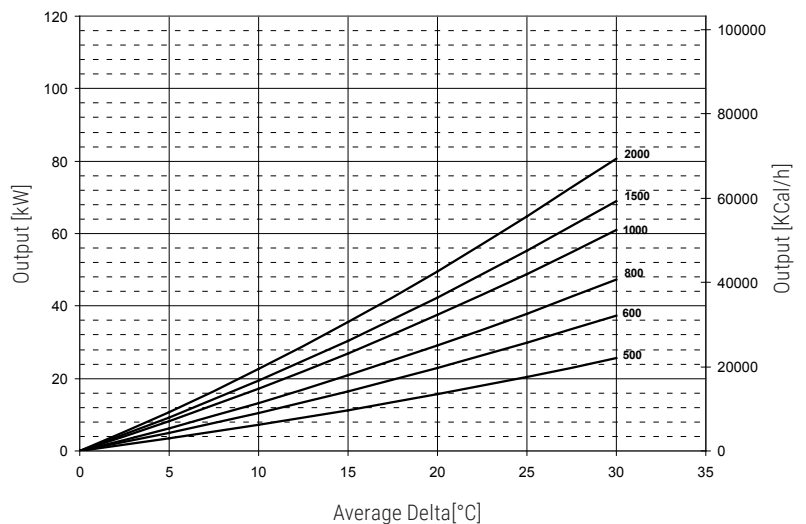
For example, a 1000 liters COMBI 2 with a water flow of 3 m³/h at 80 °C inlet and outlet at 70 °C, has on the storage of water an average temperature of 60 °C, the mean difference of temperature will be:

$(80 + 70) / 20 - 60 = 15$ °C and therefore you can exchange up to approximately 32 kW.



COMBI 3 - UPPER FIXED HEAT EXCHANGERS POWERS CHART

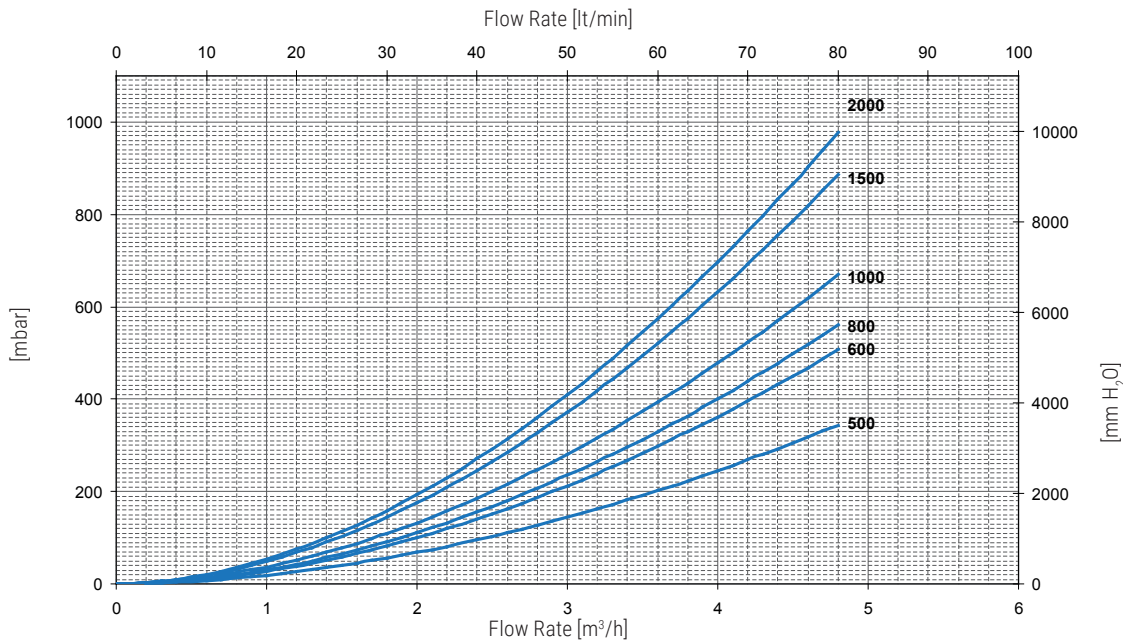
Output of the Combi 3 upper heat exchangers depending on the average DeltaT between primary and accumulation considering flow rate 3 m³/h



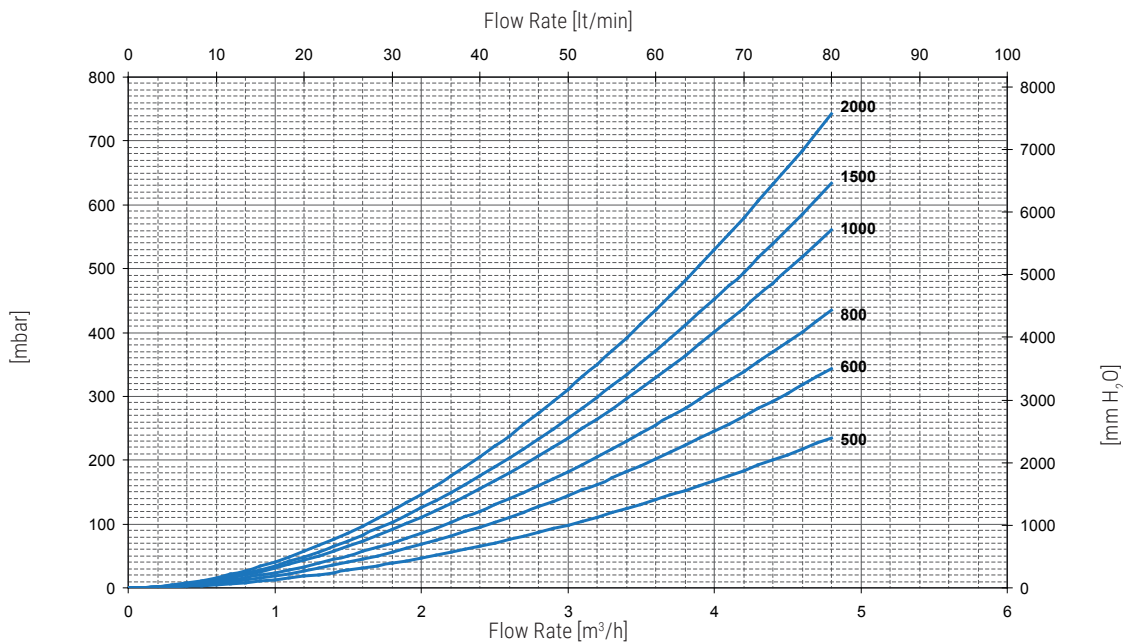
D.H.W. STORAGE PERFORMANCES

Model	COMPLETE HEATED STORAGE VOLUME				UPPER PART HEATED STORAGE VOLUME	
	DHW Volume	DHW exchanger surface	Max sanitary water produced from 10°C to 45°C with storage at 65°C and boiler on	Max sanitary water produced from 10°C to 45°C with storage at 65°C and boiler off	Max sanitary water produced from 10°C to 45°C with storage at 65°C and boiler on	Max sanitary water produced from 10°C to 45°C with storage at 65°C and boiler off
	[litres]	[m ²]	[lt/min]	[litres]	[lt/min]	[litres]
1000	226	1,8	4,1	10 lt/min: 389 lt	2,26	10 lt/min: 291 lt
				25 lt/min: 330 lt		25 lt/min: 250 lt
1500	412	2,5	5,6	10 lt/min: 753 lt	3,36	10 lt/min: 565 lt
				25 lt/min: 614 lt		25 lt/min: 461 lt
2000	566	3,1	6,8	10 lt/min: 1083 lt	4,08	10 lt/min: 812 lt
				25 lt/min: 852 lt		25 lt/min: 639 lt

PRESSURE LOSS - LOWER FIXED HEAT EXCHANGER COMBI 2 - COMBI 3



PRESSURE LOSS - UPPER FIXED HEAT EXCHANGER COMBI 3



ECO-COMBI 1

MULTI-HEAT ENERGY BUFFER WITH 316L STAINLESS STEEL D.H.W. CORRUGATED PIPE



APPLICATION

Heating hot water storage and D.H.W. production.

MATERIAL

- **BUFFER TANK:** Mild steel construction with exterior paint. No anti-corrosion treatment required due to the buffer's closed circuit system.
- **D.H.W. STORAGE:** 316L stainless steel corrugated pipe, suitable for drinkable water according to D. M. n. 174 dated 06.04.04

TECHNICAL DESCRIPTION

- Heating system with a biomass generator as energy source, combining the possibility to produce hot water for sanitary use. In such case, storage heating volume allows the generator to regularly work, limiting number of stops due to the inadequate energy request of the heating system. Moreover, it limits the emission of smoke and the creation of corrosive condensate (smokes side).
- Domestic hot water production systems for domestic and sanitary use where heating water is stored. In this system, the high

potentiality of the Eco Combi allows to obtain a good production of hot sanitary water even if temperatures of the primary system are not so high (i.e using heating pumps as primary source and solar source as support)

The particular shape of the corrugated pipe is avoiding any problem relating to the storage of sanitary hot water and ensure high heating exchange performances.

INSULATION

- **HARD:** High thermal insulation with ecological polyurethane hard foam.
- **SOFT:** NOFIRE® polyester fleece 100% made of recyclable material, with high thermal insulation. Fire resistance class B-s2d0 according to EN 13501.

Grey PVC external lining complete with top cover

WARRANTY

5 years - See general sales conditions and warranty

ACCESSORIES AND SPARE PARTS

See Accessories section for the entire list.

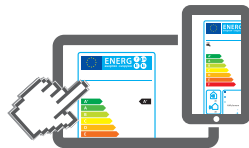


HARD FOAM INSULATION

ECO-COMBI 1 VB

316L STAINLESS STEEL CORRUGATED PIPE FOR D.H.W. PRODUCTION ENERGY EFFICIENCY CLASS

Model	HARD FOAM insulation Art. Nr.	Volume [lt]	Surface [m ²]	ErP CLASS
600	3270162316011	31,0	5,3	C
800	3270162316012	33,4	5,8	C
1000	3270162316013	45,5	7,8	C
1250	3270162316014	45,5	7,8	C
1500	3270162316015	55,3	9,5	C
2000	3270162316016	72,2	12,3	C



www.cordivari.com/erp

On line ErP label tool

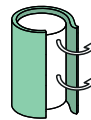


SOFT FLEECE INSULATION

ECO-COMBI 1 VC

316L STAINLESS STEEL CORRUGATED PIPE FOR D.H.W. PRODUCTION ENERGY EFFICIENCY CLASS

Model	DISMOUNTABLE SOFT FLEECE insulation Art. Nr.	Volume [lt]	Surface [m ²]	ErP CLASS
1000	3270162282263	45,5	7,8	C
1250	3270162282264	45,5	7,8	C
1500	3270162282265	55,3	9,5	C
2000	3270162282266	72,2	12,3	C



Accessories on request

Monophase and threephase electrical immersion

Available kit:	
[Kw]	Tension [V]
da 1,5 a 3	220 - MONOPHASE
da 4 a 9	400 - TRIPHASE
See accessories	

Thermometer

Art. Nr.
5032240000107
5 units box



Buffer tanks connecting kit

Art. Nr.	Connection
5006170001001	1" 1/2
Stainless steel extensible connecting kit - (200 ÷ 400 mm)	

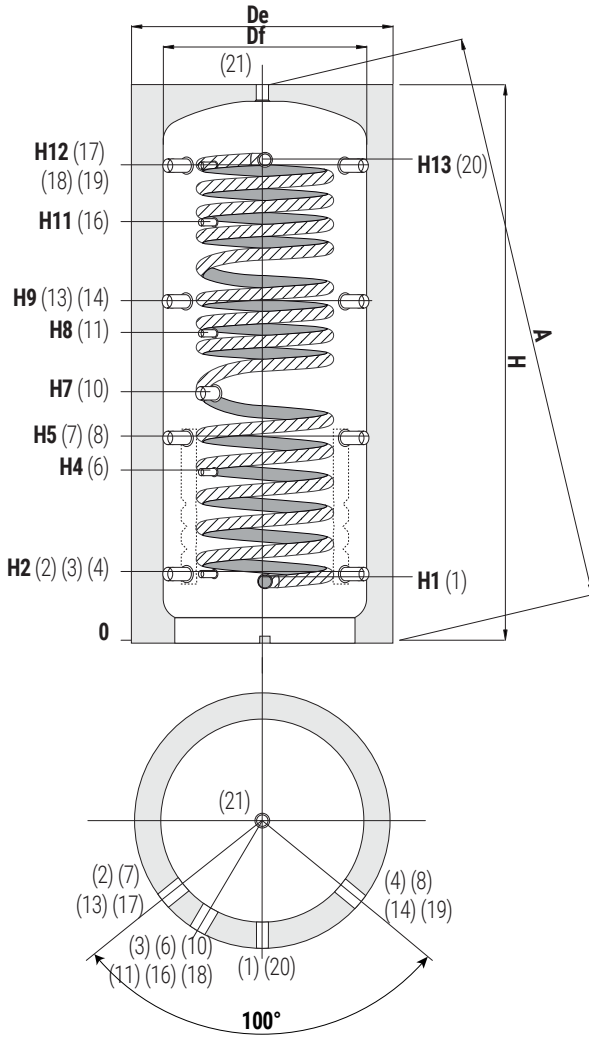
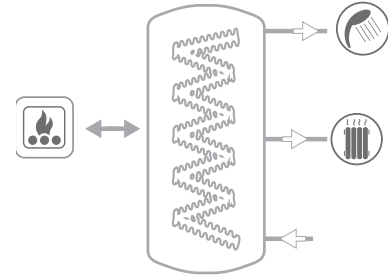


ECO-COMBI 1

MULTI-HEAT ENERGY BUFFER WITH 316L STAINLESS STEEL D.H.W. CORRUGATED PIPE

STORAGE		CORRUGATED DHW STAINLESS STEEL PIPE
P _{max}	T _{max}	P _{max}
3 bar	99 °C	6 bar

CORDIVARI Lab
TÜV Rheinland Energie
und Umwelt GmbH states
that test procedures and
Cordivari LAB are certified conforming
to European standard EN 15332, as
indicated by Ecodesign ErP Directive.



- 1** Domestic cold water circuit inlet 1" Gas M
- 2 - 4** Heating return/To Generator 1"1/2 Gas F
- 3** Connection for instrumentation 1/2" Gas F
- 6** Connection for instrumentation 1/2" Gas F
- 7 - 8** Heating return/To Generator 1"1/2 Gas F
- 10** Electrical immersion 1" 1/2 Gas F
- 11** Connection for instrumentation 1/2" Gas F
- 13 - 14** Heating return/To additional generator / Heating delivery 1"1/2 Gas F
- 16** Connection for instrumentation 1/2" Gas F
- 17 - 19** Heating return/ Heating delivery 1"1/2 Gas F
- 18** Connection for instrumentation 1/2" Gas F
- 20** Domestic hot water outlet 1" Gas M



P.E.D. product designed and produced in conformity to the article 4.3 of directive 2014/68/UE - ErP Ecodesign directive 2009/125/CE

Model	Volume [lt]	Df	De	De (vers. VB)	H	A	H1	H2	H4	H5	H7	H9	H11	H12	H13	
		(vers. VC)	(vers. VC)													
		[mm]		[mm]												
500	478	//	//	750	1619	1745	230	247	533	629	841	1011	1231	1343	1360	
600	560	//	//	750	1869	1979	230	247	582	695	915	1144	1382	1593	1610	
800	803	790	1010	950	1838	2001	248	265	584	690	823	1115	1332	1541	1558	
1000	944	790	1010	950	2128	2270	248	265	656	787	998	1309	1588	1831	1843	
1250	1248	900	1160	1050	2201	2378	296	313	705	835	986	1357	1586	1879	1896	
1500	1432	950	1210	1100	2250	2442	296	313	736	845	1061	1377	1653	1909	1921	
2000	1970	1100	1360	1300	2319	2567	330	347	770	879	1060	1411	1687	1943	1955	

EXTRA-BOLLY® CALORIFIERS
BOLLYTERM® CALORIFIERS
STAINLESS STEEL CALORIFIERS
CALORIFIERS FOR HEAT PUMP
MULTIFUEL ENERGY CYLINDERS - PUFFER
HYDRONIC
INERTIAL TANKS
WATER PRESSURE TANKS
COMPRESSED AIR RECEIVERS
ACCESSORIES AND SPARE PARTS
TECHNICAL SUPPORT

ECO-COMBI 2

MULTI-HEAT ENERGY BUFFER WITH 316L STAINLESS STEEL D.H.W. CORRUGATED PIPE AND 1 FIXED HEAT EXCHANGER



APPLICATION

Heating hot water storage and D.H.W. production.

MATERIAL

- BUFFER TANK: Mild steel construction with exterior paint. No anti-corrosion treatment required due to the buffer's closed circuit system.
- D.H.W. STORAGE : 316L stainless steel corrugated pipe, suitable for drinkable water according to D. M. n. 174 dated 06.04.04.

HEAT EXCHANGER:

1 fixed heat exchanger.

TECHNICAL DESCRIPTION

Multi-Heat Energy tanks EcoCombi 2 are used in units with a typically discontinuous energy source for double use: heating system and sanitary hot water system.

- Heating system with a biomass generator as energy source, combining the possibility to produce hot water for sanitary use. In such case, storage heating volume allows the generator to regularly work, limiting number of stops due to the inadequate energy request of the heating system. Moreover, it limits the emission of smoke and the creation of corrosive condensate (smokes side).

- Domestic hot water production systems for domestic and sanitary use where heating water is stored. In this system, the high potentiality of the Eco Combi allows to obtain a good production of hot sanitary water even if temperatures of the primary system are not so high (i.e using heating pumps as primary source and solar source as support).

The particular shape of the corrugated pipe is avoiding any problem relating to the storage of sanitary hot water and ensure high heating exchange performances.

INSULATION

- HARD: High thermal insulation with ecological polyurethane hard foam.
- SOFT: NOFIRE® polyester fleece 100% made of recyclable material, with high thermal insulation. Fire resistance class B-s2d0 according to EN 13501.

Grey PVC external lining complete with top cover

WARRANTY

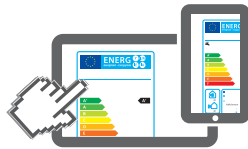
5 years - See general sales conditions and warranty

ACCESSORIES AND SPARE PARTS

See Accessories section for the entire list.



HARD FOAM INSULATION



www.cordivari.com/erp

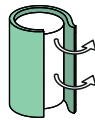
On line ErP label tool

ECO-COMBI 2 VB

Model	HARD FOAM insulation Art. Nr.	316L STAINLESS STEEL CORRUGATED PIPE FOR D.H.W. PRODUCTION		LOWER HEAT EXCHANGER		ENERGY EFFICIENCY CLASS ErP
		Volume [lt]	Surface [m²]	Volume [lt]	Surface [m²]	
500	3270162316101	26,6	4,5	11,5	1,9	C
600	3270162316102	31,0	5,3	13	2,1	C
800	3270162316103	33,4	5,8	16,3	2,5	C
1000	3270162316104	45,5	7,8	20,7	3,1	C
1250	3270162316105	45,5	7,8	22,3	3,4	C
1500	3270162316106	55,3	9,5	25,3	3,8	C
2000	3270162316107	72,2	12,3	29,6	4,6	C



SOFT FLEECE INSULATION





ECO-COMBI 2 VC


Model	DISMOUNTABLE SOFT FLEECE insulation Art. Nr.	316L STAINLESS STEEL CORRUGATED PIPE FOR D.H.W. PRODUCTION		LOWER HEAT EXCHANGER		ENERGY EFFICIENCY CLASS ErP
		Volume [lt]	Surface [m²]	Volume [lt]	Surface [m²]	
800	3270162282272	33,4	5,8	16,3	2,5	C
1000	3270162282273	45,5	7,8	20,7	3,1	C
1250	3270162282274	45,5	7,8	22,3	3,4	C
1500	3270162282275	55,3	9,5	25,3	3,8	C
2000	3270162282276	72,2	12,3	29,6	4,6	C

Accessories on request


Monophase and threephase electrical immersion

	
Available kit:	
[Kw]	Tension [V]
da 1,5 a 3	220 - MONOPHASE
da 4 a 9	400 - TRIPHASE
See accessories	

Thermometer

Art. Nr.	
5032240000107	
5 units box	

Buffer tanks connecting kit

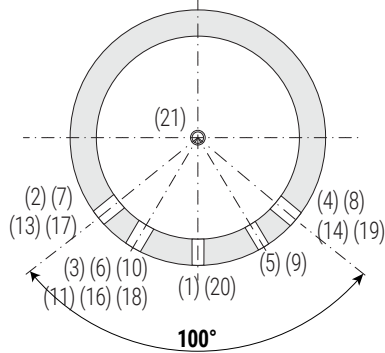
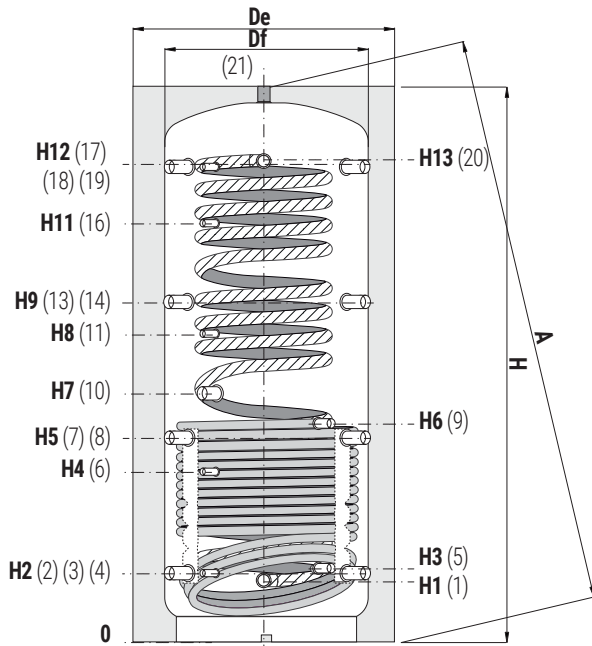
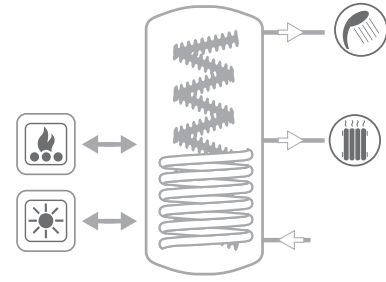
Art. Nr.	Connection	
5006170001001	1" 1/2	
Stainless steel extensible connecting kit - (200 ÷ 400 mm)		

ECO-COMBI 2

MULTI-HEAT ENERGY BUFFER WITH 316L STAINLESS STEEL D.H.W. CORRUGATED PIPE AND 1 FIXED HEAT EXCHANGER

STORAGE		CORRUGATED DHW STAINLESS STEEL PIPE		FIXED HEAT EXCHANGER	
Pmax	Tmax	Pmax		Pmax	Tmax
3 bar	99 °C	6 bar		12 bar	110 °C

CORDIVARI Lab
TÜV Rheinland Energie und Umwelt GmbH states that test procedures and Cordivari LAB are certified conforming to European standard EN 15332, as indicated by Ecodesign ErP Directive.



- 1** Domestic cold water circuit inlet 1" Gas M

- 2-4** Heating return/To Generator 1"1/2 Gas F

- 3** Connection for instrumentation 1/2" Gas F

- 5** Lower fixed heat exchanger outlet 1" Gas F

- 6** Connection for instrumentation 1/2" Gas F

- 7-8** Heating return/To Generator 1"1/2 Gas F

- 9** Lower fixed heat exchanger inlet 1" Gas F

- 10** Electrical immersion 1"1/2 Gas F

- 11** Connection for instrumentation 1/2" Gas F

- 13-14** Heating return/To additional generator/ Heating delivery 1"1/2 Gas F

- 16** Connection for instrumentation 1/2" Gas F

- 17-19-** Heating return/ Heating delivery 1"1/2 Gas F
- 21**

- 18** Connection for instrumentation 1/2" Gas F

- 20** Domestic hot water outlet 1" Gas M



Model	Volume [lt]	Df	De	De													
		(vers. VC)	(vers. VC)	(vers. VB)	H	A	H1	H2	H3	H4	H5	H6	H7	H9	H11	H12	H13
		[mm]		[mm]													
500	478	//	//	750	1619	1745	230	247	260	533	629	744	841	1011	1231	1343	1360
600	560	//	//	750	1869	1979	230	247	260	582	695	855	915	1144	1382	1593	1610
800	803	790	1010	950	1838	2001	248	265	278	584	690	762	823	1115	1332	1541	1558
1000	944	790	1010	950	2128	2270	248	265	284	656	787	953	998	1309	1588	1831	1843
1250	1248	900	1160	1050	2201	2378	296	313	326	705	835	884	986	1357	1586	1879	1896
1500	1432	950	1210	1100	2250	2442	296	313	336	736	845	1006	1061	1377	1653	1909	1921
2000	1970	1100	1360	1300	2319	2567	330	347	370	770	879	1001	1060	1411	1687	1943	1955

P.E.D. product designed and produced in conformity to the article 4.3 of directive 2014/68/UE - ErP Ecodesign directive 2009/125/CE

EXTRA-BOLLY® CALORIFIERS
BOLLYTERM® CALORIFIERS
STAINLESS STEEL CALORIFIERS
CALORIFIERS FOR HEAT PUMP
MULTIFUEL ENERGY CYLINDERS - PUFFER
HYDRONIC
INERTIAL TANKS
WATER PRESSURE TANKS
COMPRESSED AIR RECEIVERS
ACCESSORIES AND SPARE PARTS
TECHNICAL SUPPORT

ECO-COMBI 3

MULTI-HEAT ENERGY BUFFER WITH 316L STAINLESS STEEL D.H.W. CORRUGATED PIPE AND 2 FIXED HEAT EXCHANGERS



APPLICATION

Heating hot water storage and D.H.W. production.

MATERIAL

- BUFFER TANK: Mild steel construction with exterior paint. No anti-corrosion treatment required due to the buffer's closed circuit system.
- D.H.W. STORAGE: 316L stainless steel corrugated pipe, suitable for drinkable water according to D. M. n. 174 dated 06.04.04

HEAT EXCHANGER:

2 fixed heat exchangers.

TECHNICAL DESCRIPTION

Multi-Heat Energy tanks EcoCombi 3 are used in units with a typically discontinuous energy source for double use: heating system and sanitary hot water system.

- Heating system with a biomass generator as energy source, combining the possibility to produce hot water for sanitary use. In such case, storage heating volume allows the generator to regularly work, limiting number of stops due to the inadequate energy request of the heating system. Moreover, it limits the emission of smoke and the creation of corrosive condensate (smokes side).

- Domestic hot water production systems for domestic and sanitary use where heating water is stored. In this system, the high potentiality of the Eco Combi allows to obtain a good production of hot sanitary water even if temperatures of the primary system are not so high (i.e using heating pumps as primary source and solar source as support)

The particular shape of the corrugated pipe is avoiding any problem relating to the storage of sanitary hot water and ensure high heating exchange performances.

INSULATION

- HARD: High thermal insulation with ecological polyurethane hard foam.
- SOFT: NOFIRE® polyester fleece 100% made of recyclable material, with high thermal insulation. Fire resistance class B-s2d0 according to EN 13501.

Grey PVC external lining complete with top cover

WARRANTY

5 years - See general sales conditions and warranty

ACCESSORIES AND SPARE PARTS

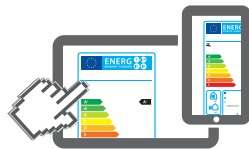
See Accessories section for the entire list.



HARD FOAM INSULATION

ECO-COMBI 3 VB

Model	HARD FOAM insulation Art. Nr.	316L STAINLESS STEEL CORRUGATED PIPE FOR D.H.W. PRODUCTION		UPPER HEAT EXCHANGER		LOWER HEAT EXCHANGER		ENERGY EFFICIENCY CLASS
		Volume [lt]	Surface [m²]	Volume [lt]	Surface [m²]	Volume [lt]	Surface [m²]	
500	3270162316201	26,6	4,5	8	1,3	11,5	1,9	C
600	3270162316202	31,0	5,3	8	1,3	13	2,1	C
800	3270162316203	33,4	5,8	11,8	1,8	16,3	2,5	C
1000	3270162316204	45,5	7,8	16,3	2,5	20,7	3,1	C
1250	3270162316205	45,5	7,8	16,3	2,5	22,3	3,4	C
1500	3270162316206	55,3	9,5	16,8	2,8	25,3	3,8	C
2000	3270162316207	72,2	12,3	19,1	2,8	29,6	4,6	C



www.cordivari.com/erp

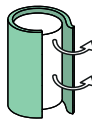
On line ErP label tool



SOFT FLEECE INSULATION

ECO-COMBI 3 VC

Model	DISMOUNTABLE SOFT FLEECE insulation Art. Nr.	316L STAINLESS STEEL CORRUGATED PIPE FOR D.H.W. PRODUCTION		UPPER HEAT EXCHANGER		LOWER HEAT EXCHANGER		ENERGY EFFICIENCY CLASS
		Volume [lt]	Surface [m²]	Volume [lt]	Surface [m²]	Volume [lt]	Surface [m²]	
800	3270162282282	33,4	5,8	11,8	1,8	16,3	2,5	C
1000	3270162282283	45,5	7,8	16,3	2,5	20,7	3,1	C
1250	3270162282284	45,5	7,8	16,3	2,5	22,3	3,4	C
1500	3270162282285	55,3	9,5	16,8	2,8	25,3	3,8	C
2000	3270162282286	72,2	12,3	19,1	2,8	29,6	4,6	C



Accessories on request

Monophase and threephase electrical immersion

Available kit:	
[Kw]	Tension [V]
da 1,5 a 3	220 - MONOPHASE
da 4 a 9	400 - TRIPHASE
See accessories	

Thermometer

Art. Nr.	
5032240000107	
5 units box	

Buffer tanks connecting kit

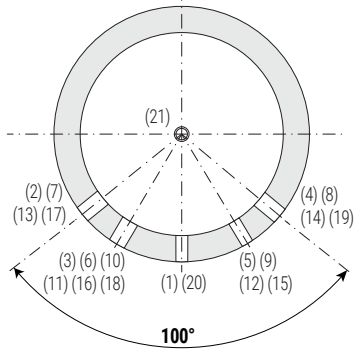
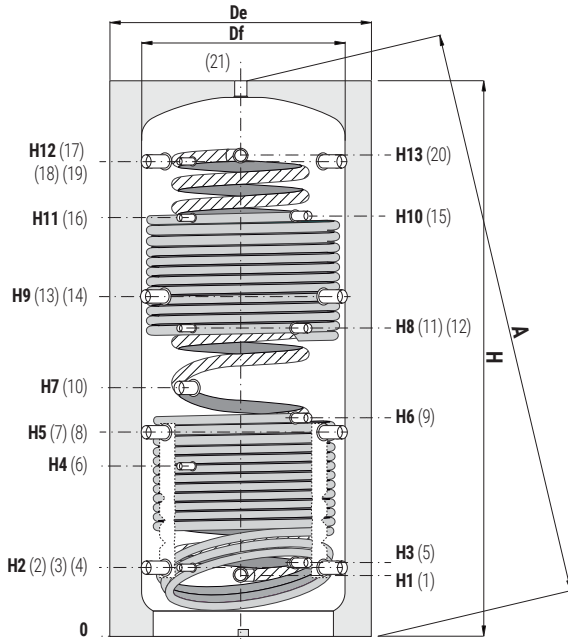
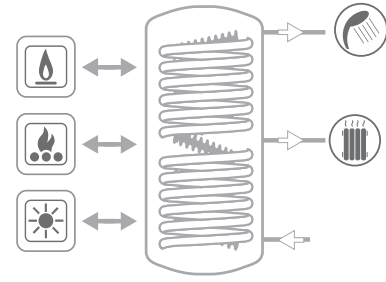
Art. Nr.	Connection	
5006170001001	1" 1/2	
Stainless steel extensible connecting kit - (200 ÷ 400 mm)		

ECO-COMBI 3

MULTI-HEAT ENERGY BUFFER WITH 316L STAINLESS STEEL D.H.W. CORRUGATED PIPE AND 2 FIXED HEAT EXCHANGERS

STORAGE		CORRUGATED DHW STAINLESS STEEL PIPE	FIXED HEAT EXCHANGER	
Pmax	Tmax	Pmax	Pmax	Tmax
3 bar	99 °C	6 bar	12 bar	110 °C

CORDIVARI Lab
TÜV Rheinland Energie
und Umwelt GmbH states
that test procedures and
Cordivari LAB are certified conforming
to European standard EN 15332, as
indicated by Ecodesign ErP Directive.



- 1** Domestic cold water circuit inlet 1" Gas M

- 2-4** Heating return/To Generator 1"1/2 Gas F

- 3** Connection for instrumentation 1/2" Gas F

- 5** Lower fixed heat exchanger outlet 1" Gas F

- 6** Connection for instrumentation 1/2" Gas F

- 7-8** Heating return/To Generator 1"1/2 Gas F

- 9** Lower fixed heat exchanger inlet 1" Gas F

- 10** Electrical immersion 1"1/2 Gas F

- 11** Connection for instrumentation 1/2" Gas F

- 12** Upper fixed heat exchanger outlet 1" Gas F

- 13-14** Heating return/To additional generator / Heating delivery 1"1/2 Gas F

- 15** Upper fixed heat exchanger inlet 1" Gas F

- 16** Connection for instrumentation 1/2" Gas F

- 17-19-21** Heating return / Heating delivery 1"1/2 Gas F

- 18** Connection for instrumentation 1/2" Gas F

- 20** Domestic hot water outlet 1" Gas M



Model	Volume [litres]	Df	De	De (vers. VB)	H	A	H1	H2	H3	H4	H5	H6	H7	H8	H9	H10	H11	H12	H13
		(vers. VC)	(vers. VC)																
500	478	//	//	750	1619	1745	230	247	260	533	629	744	841	930	1011	1231	1231	1343	1360
600	560	//	//	750	1869	1979	230	247	260	582	695	855	915	1060	1144	1361	1382	1593	1610
800	803	790	1010	950	1838	2001	248	265	278	584	690	762	823	988	1115	1332	1332	1541	1558
1000	944	790	1010	950	2128	2270	248	265	284	656	787	953	998	1188	1309	1661	1588	1831	1843
1250	1248	900	1160	1050	2201	2378	296	313	326	705	835	884	986	1068	1357	1641	1586	1879	1896
1500	1432	950	1210	1100	2250	2442	296	313	336	736	845	1006	1061	1286	1377	1673	1653	1909	1921
2000	1970	1100	1360	1300	2319	2567	330	347	370	770	879	1001	1060	1300	1411	1687	1687	1943	1955

P.E.D. product designed and produced in conformity to the article 4.3 of directive 2014/68/UE - ErP Ecodesign directive 2009/125/CE

EXTRA-BOLLY® CALORIFIERS
BOLLYTERM® CALORIFIERS
STAINLESS STEEL CALORIFIERS
CALORIFIERS FOR HEAT PUMP
MULTIFUEL ENERGY CYLINDERS - PUFFER
HYDRONIC
INERTIAL TANKS
WATER PRESSURE TANKS
COMPRESSED AIR RECEIVERS
ACCESSORIES AND SPARE PARTS
TECHNICAL SUPPORT

ECO-COMBI - OUTPUT AND PERFORMANCES

D.H.W. STORAGE PERFORMANCES

Model	COMPLETE HEATED STORAGE VOLUME			UPPER PART HEATED STORAGE VOLUME		
	DHW Volume	DHW exchanger surface	Max sanitary water produced from 10°C to 45°C with storage at 65°C and boiler on	Max sanitary water produced from 10°C to 45°C with storage at 65°C and boiler off	Max sanitary water produced from 10°C to 45°C with storage at 65°C and boiler on	Max sanitary water produced from 10°C to 45°C with storage at 65°C and boiler off
	[litres]	[m ²]	[lt/min]	[litres]	[lt/min]	[litres]
500	26,6	4,5	29	10 lt/min: 354 lt 25 lt/min: 227 lt	15	10 lt/min: 102 lt 25 lt/min: 75 lt
600	31	5,3	34	10 lt/min: 400 lt 25 lt/min: 257 lt	18	10 lt/min: 115 lt 25 lt/min: 85 lt
800	33,4	5,8	37	10 lt/min: 587 lt 25 lt/min: 377 lt	23	10 lt/min: 218 lt 25 lt/min: 160 lt

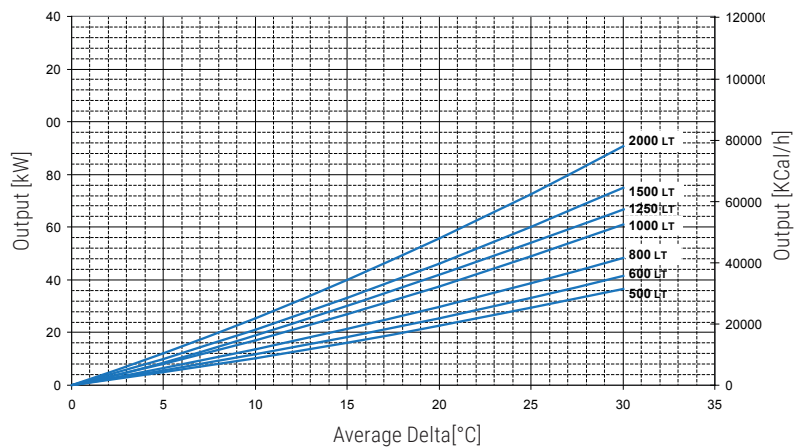
ECO COMBI 2 - ECO COMBI 3 LOWER FIXED HEAT EXCHANGERS POWERS CHART

Output of the EcoCombi 2 - EcoCombi 3 lower heat exchangers depending on the average DeltaT between primary and accumulation considering flow rate 3 m³/h.

Thermal output is given in both kW or kcal/h in terms of average temperature difference between primary and secondary circuit, all for a range of primary 3 m³/h.

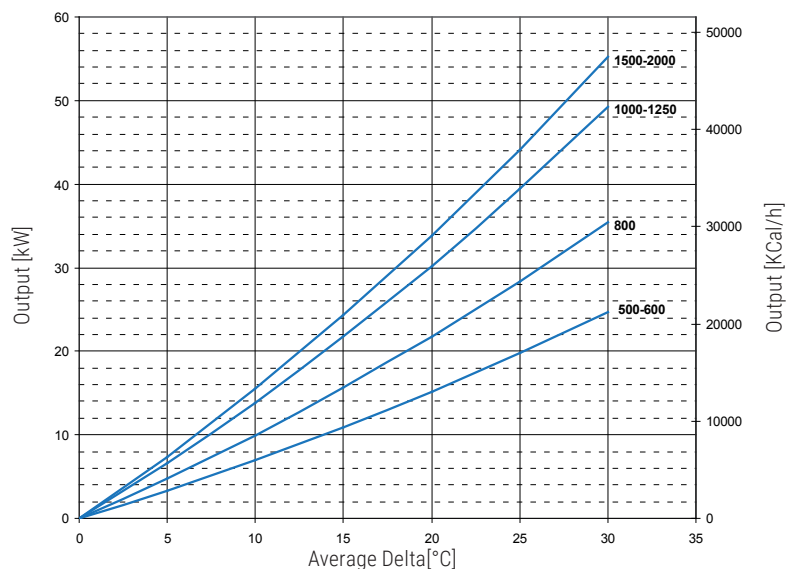
For example, a 1000 liters ECOCOMBI 2 with a water flow of 3 m³/h at 80 °C inlet and outlet at 70 °C, has on the storage of water an average temperature of 60 °C, the mean difference of temperature will be:

$(80 + 70) / 20 - 60 = 15$ °C and therefore you can exchange up to approximately 32 kW.



ECO COMBI 3 UPPER FIXED HEAT EXCHANGERS POWERS CHART

Output of the EcoCombi 3 upper heat exchangers depending on the average DeltaT between primary and accumulation considering flow rate 3 m³/h.

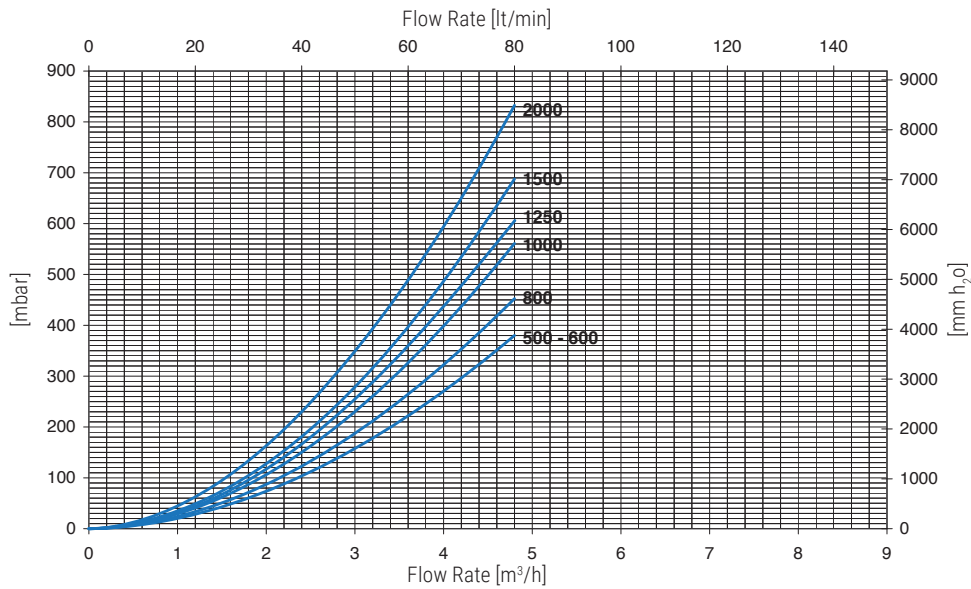


ECO-COMBI - OUTPUT AND PERFORMANCES

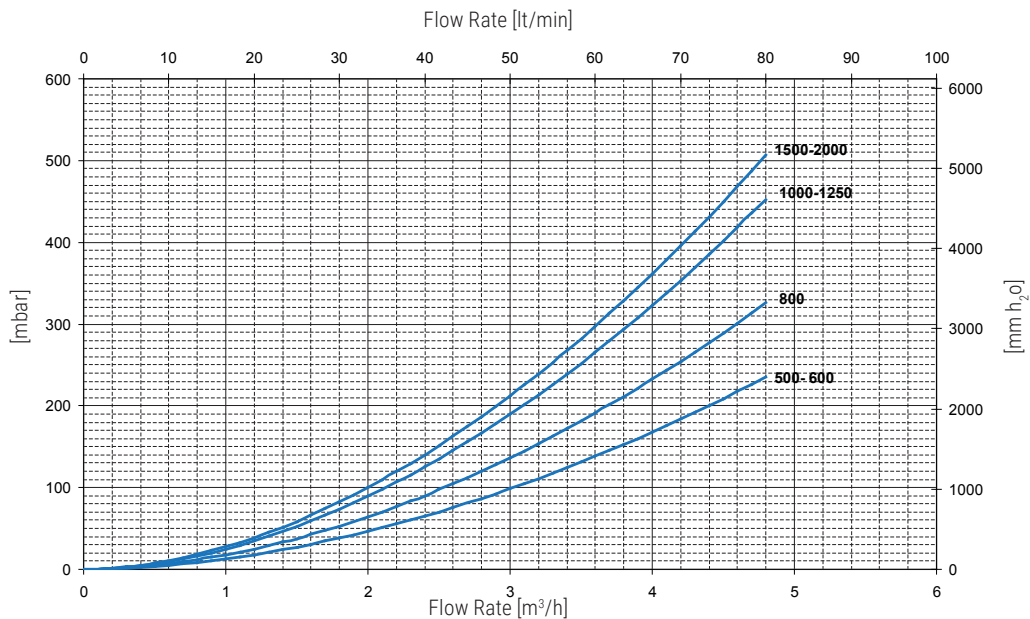
D.H.W. STORAGE PERFORMANCES

Model	COMPLETE HEATED STORAGE VOLUME				UPPER PART HEATED STORAGE VOLUME	
	DHW Volume	DHW exchanger surface	Max sanitary water produced from 10°C to 45°C with storage at 65°C and boiler on	Max sanitary water produced from 10°C to 45°C with storage at 65°C and boiler off	Max sanitary water produced from 10°C to 45°C with storage at 65°C and boiler on	Max sanitary water produced from 10°C to 45°C with storage at 65°C and boiler off
	[litres]	[m ²]	[lt/min]	[litres]	[lt/min]	[litres]
1000	45,5	7,8	50	10 lt/min: 800 lt	27	10 lt/min: 294 lt
				25 lt/min: 541 lt		25 lt/min: 216 lt
1250	45,5	7,8	50	10 lt/min: 922 lt	27	10 lt/min: 310 lt
				25 lt/min: 592 lt		25 lt/min: 230 lt
1500	55,3	9,5	57	10 lt/min: 1144 lt	34	10 lt/min: 345 lt
				25 lt/min: 735 lt		25 lt/min: 258 lt
2000	72,2	12,3	74	10 lt/min: 1657 lt	44	10 lt/min: 463 lt
				25 lt/min: 1142 lt		25 lt/min: 340 lt

PRESSURE LOSS - LOWER FIXED HEAT EXCHANGER ECO COMBI 2 - ECO COMBI 3



PRESSURE LOSS - UPPER FIXED HEAT EXCHANGER ECO COMBI 3



ECO-COMBI 1 DOMUS

MULTI-HEAT ENERGY BUFFER WITH 316L STAINLESS STEEL D.H.W. CORRUGATED PIPE



APPLICATION

Heating hot water storage and D.H.W. production. Engineered for low-ceilinged rooms.

MATERIAL

- **BUFFER TANK:** Mild steel construction with exterior paint. No anti-corrosion treatment required due to the buffer's closed circuit system.
- **D.H.W. STORAGE:** 316L stainless steel corrugated pipe, suitable for drinkable water according to D. M. n. 174 dated 06.04.04.

TECHNICAL DESCRIPTION

Multi-Heat Energy tanks EcoCombi 2 Domus are used in units with a typically discontinuous energy source for double use: heating system and domestic hot water systems.

- Heating system with a biomass generator as energy source, combining the possibility to produce hot water for sanitary use. In such case, storage heating volume allows the generator to regularly work, limiting number of stops due to the inadequate energy request of the heating systems. Moreover, it limits the emission of smoke

and the creation of corrosive condensate (smokes side).

- Domestic hot water production systems for domestic and sanitary use where heating water is stored. In this system, the high potentiality of the Eco Combi allows to obtain a good production of hot sanitary water even if temperatures of the primary system are not so high (i.e using heating pumps as primary source and solar source as support).

The particular shape of the corrugated pipe avoids any problem relating to the storage of sanitary hot water and ensures high heating exchange performances.

INSULATION

High thermal insulation with ecological hard polyurethane foam. Grey PVC external lining complete with top cover.

WARRANTY

5 years - See general sales conditions and warranty

ACCESSORIES AND SPARE PARTS

See Accessories section for the entire list.



SOFT FLEECE INSULATION

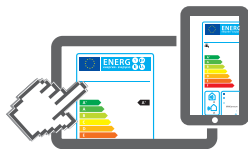


ECO-COMBI 1 DOMUS VB

316L STAINLESS STEEL
CORRUGATED
PIPE FOR D.H.W. PRODUCTION

ENERGY
EFFICIENCY
CLASS

Model	DISMOUNTABLE SOFT FLEECE insulation	Volume	Surface	ErP
	Art. Nr.	[lt]	[m ²]	
200	3270162316021	2,9	1,4	B
300	3270162316022	5,1	2,5	C



www.cordivari.com/erp

On line ErP label tool

Model	Max sanitary water produced from 10°C to 45°C with storage at 60°C	Max sanitary water produced from 10°C to 45°C with storage at 50°C
	[lt/min]	[lt/min]
200	11	8
300	23	16

Accessories on request

Monophase and threephase electrical immersion

Available kit:	
[Kw]	Tension [V]
da 1,5 a 3	220 - MONOPHASE
See accessories	

Thermometer

Art. Nr.	
5032240000107	
5 units box	

Buffer tanks connecting kit

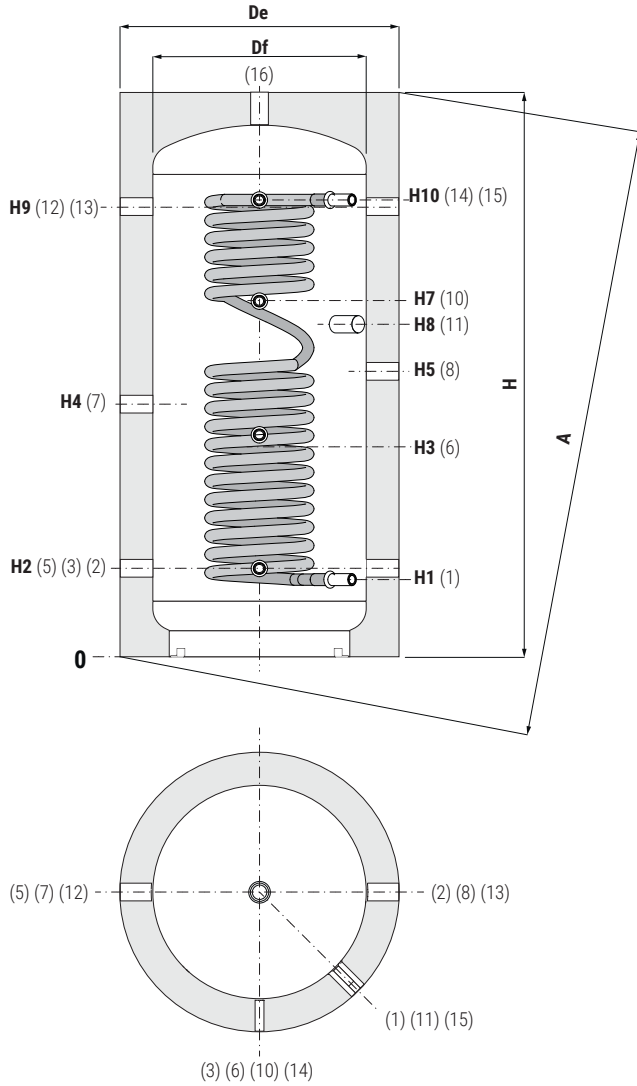
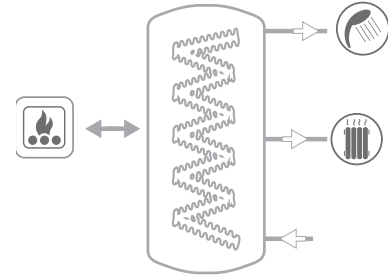
Art. Nr.	Connection	
5006170001001	1" 1/2	
Stainless steel extensible connecting kit - (200 ÷ 400 mm)		

ECO-COMBI 1 DOMUS

MULTI-HEAT ENERGY BUFFER WITH 316L STAINLESS STEEL D.H.W. CORRUGATED PIPE

STORAGE		CORRUGATED DHW STAINLESS STEEL PIPE
Pmax	Tmax	Pmax
3 bar	99 °C	6 bar

CORDIVARI Lab
TÜV Rheinland Energie
und Umwelt GmbH states
that test procedures and
Cordivari LAB are certified conforming
to European standard EN 15332, as
indicated by Ecodesign ErP Directive.



- 1** Domestic cold water circuit inlet 1" M
- 2** Heating return/To Generator 1"1/2 F
- 3** Connection for instrumentation 1/2" F
- 5** Heating return/To Generator 1"1/2 F
- 6** Connection for instrumentation 1/2" F
- 7** Heating return 1" 1/2 F
- 8** To additional generator 1" 1/2 F
- 10** Connection for instrumentation 1/2" F
- 11** Electrical immersion 1" 1/2 F
- 12** Heating return / Heating delivery 1" 1/2 F
- 13** From additional generator 1" 1/2 F
- 14** Connection for instrumentation 1/2" F
- 15** Domestic hot water outlet 1/2" F
- 16** Heating delivery / Heating return 1" 1/2 F

Model	Volume [lt]	Df	H	A	H1	H2	H3	H4	H5	H7	H8	H9	H10
		[mm]											
200	180	590	1309	1436	227	252	552	602	702	852	822	1052	1079
300	279	690	1357	1522	257	272	572	622	722	872	812	1072	1084

P.E.D. product designed and produced in conformity to the article 4.3 of directive 2014/68/UE - ErP Ecodesign directive 2009/125/CE

EXTRA-BOLLY® CALORIFIERS
BOLLYTERM® CALORIFIERS
STAINLESS STEEL CALORIFIERS
CALORIFIERS FOR HEAT PUMP
MULTIFUEL ENERGY CYLINDERS - PUFFER
HYDRONIC
INERTIAL TANKS
WATER PRESSURE TANKS
COMPRESSED AIR RECEIVERS
ACCESSORIES AND SPARE PARTS
TECHNICAL SUPPORT

ECO-COMBI 2 DOMUS

MULTI-HEAT ENERGY BUFFER WITH 316L STAINLESS STEEL D.H.W. CORRUGATED PIPE AND 1 FIXED HEAT EXCHANGER



APPLICATION

Heating hot water storage and D.H.W. production.

MATERIAL

- BUFFER TANK: Mild steel construction with exterior paint. No anti-corrosion treatment required due to the buffer's closed circuit system.
- D.H.W. STORAGE: 316L stainless steel corrugated pipe, suitable for drinkable water according to D. M. n. 174 dated 06.04.04.

HEAT EXCHANGER

1 fixed heat exchanger.

TECHNICAL DESCRIPTION

Multi-Heat Energy tanks EcoCombi 2 Domus are used in units with a typically discontinuous energy source for double use: heating system and domestic hot water systems.

- Heating system with a biomass generator as energy source, combining the possibility to produce hot water for sanitary use. In such case, storage heating volume allows the generator to regularly work, limiting number of stops due to the inadequate energy request

of the heating systems. Moreover, it limits the emission of smoke and the creation of corrosive condensate (smokes side).

- Domestic hot water production systems for domestic and sanitary use where heating water is stored. In this system, the high potentiality of the Eco Combi allows to obtain a good production of hot sanitary water even if temperatures of the primary system are not so high (i.e. using heating pumps as primary source and solar source as support).

The particular shape of the corrugated pipe avoids any problem relating to the storage of sanitary hot water and ensures high heating exchange performances.

INSULATION

High thermal insulation with ecological hard polyurethane foam. Grey PVC external lining

WARRANTY

5 years - See general sales conditions and warranty

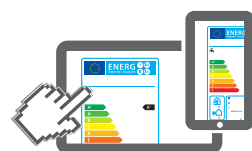
ACCESSORIES AND SPARE PARTS

See Accessories section for the entire list.



ECO-COMBI 2 DOMUS VB

Model	HARD FOAM insulation Art. Nr.	316L STAINLESS STEEL CORRUGATED PIPE FOR D.H.W. PRODUCTION		HEAT EXCHANGER	ENERGY EFFICIENCY CLASS
		Volume [lt]	Surface [m ²]	Surface [m ²]	
200	3270162282501	2,9	1,4	1	B
300	3270162282502	5,1	2,5	1,2	C



www.cordivari.com/erp

On line ErP label tool

Model	Max solar collectors surface	Max sanitary water produced from 10°C to 45°C with storage at 60°C	Max sanitary water produced from 10°C to 45°C with storage at 50°C
	[m ²]	[lt/min]	[lt/min]
200	5	11	8
300	7,5	23	16

Accessories on request

Monophase and threephase electrical immersion

Available kit:	
[Kw]	Tension [V]
da 1,5 a 3	220 - MONOPHASE
See accessories	

Thermometer

Art. Nr.	
5032240000107	
5 units box	

Buffer tanks connecting kit

Art. Nr.	Connection	
5006170001001	1" 1/2	
Stainless steel extensible connecting kit - (200 ÷ 400 mm)		

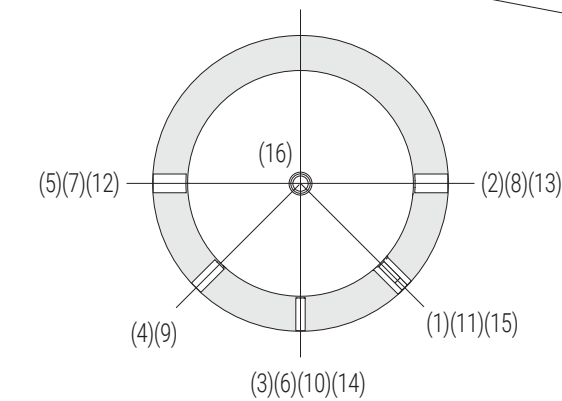
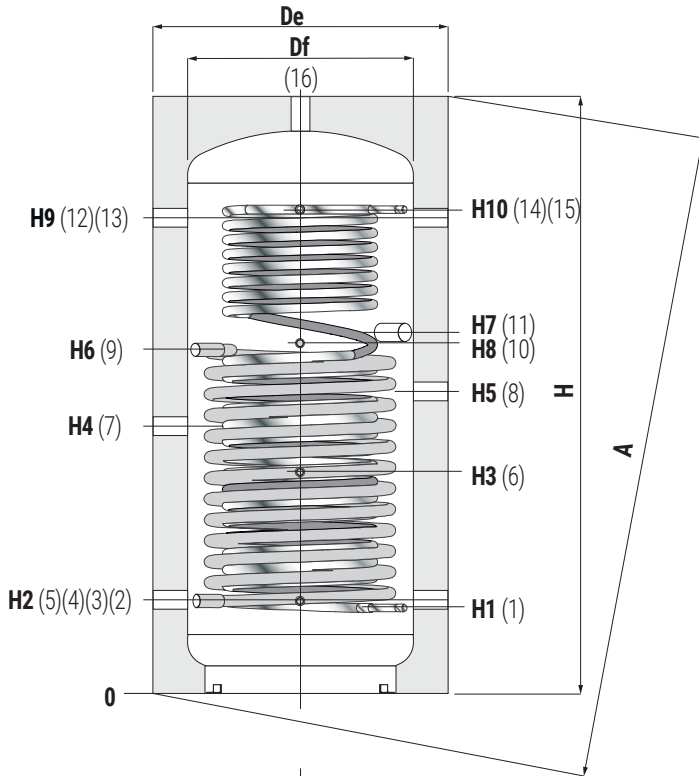
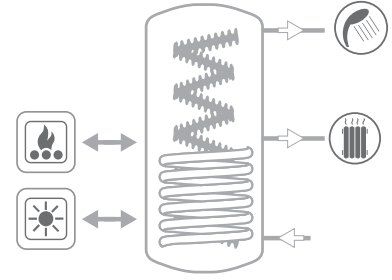
ECO-COMBI 2 DOMUS

MULTI-HEAT ENERGY BUFFER WITH 316L STAINLESS STEEL D.H.W. CORRUGATED PIPE AND 1 FIXED HEAT EXCHANGER

STORAGE		CORRUGATED DHW STAINLESS STEEL PIPE	FIXED HEAT EXCHANGER	
Pmax	Tmax	Pmax	Pmax	Tmax
3 bar	99 °C	6 bar	12 bar	110 °C

CORDIVARI Lab
TÜV Rheinland Energie und Umwelt GmbH states that test procedures and Cordivari LAB are certified conforming to European standard EN 15332, as indicated by Ecodesign ErP Directive.

TESTED
CORDIVARI Lab
TÜV ECODSIGN
ASK ALWAYS FOR CERTIFIED LABORATORIES DATA RESULTS



- 1 Domestic cold water circuit inlet 1/2" Gas F
- 2 Heating return/To Generator 1"1/2 Gas F
- 3 Connection for instrumentation 1/2" Gas F
- 4 To solar thermal system 1" Gas F
- 5 To Generator/Heating return 1"1/2 Gas F
- 6 Connection for instrumentation 1/2" Gas F
- 7 Heating return 1"1/2 Gas F
- 8 To additional generato 1"1/2 Gas F
- 9 From solar thermal system 1" Gas F
- 10 Connection for instrumentation 1/2" Gas F
- 11 Electrical immersion 1"1/2 Gas F
- 12 Heating return/Heating delivery 1"1/2 Gas F
- 13 From additional generator 1"1/2 Gas F
- 14 Connection for instrumentation 1/2" Gas F
- 15 Domestic hot water outlet 1/2" Gas F
- 16 Heating delivery/From Generator 1"1/2 Gas F

Model	Volume [lt]	De	H	A	H1	H2	H3	H4	H5	H6	H7	H8	H9	H10
200	180	590	1309	1436	227	252	552	602	702	822	852	822	1052	1079
300	279	690	1357	1521	257	272	572	622	722	812	872	812	1072	1084

P.E.D. product designed and produced in conformity to the article 4.3 of directive 2014/68/UE - ErP Ecodesign directive 2009/125/CE

EXTRA-BOLLY® CALORIFIERS
BOLLYTERM® CALORIFIERS
STAINLESS STEEL CALORIFIERS
CALORIFIERS FOR HEAT PUMP
MULTIFUEL ENERGY CYLINDERS - PUFFER
HYDRONIC
INERTIAL TANKS
WATER PRESSURE TANKS
COMPRESSED AIR RECEIVERS
ACCESSORIES AND SPARE PARTS
TECHNICAL SUPPORT

PUFFERMAS® 1

HEATING WATER BUFFER TANK WITH MACS® MODULE FOR IMMEDIATE D.H.W. PRODUCTION



APPLICATION

Storage of heating hot water and immediate production of D.H.W. high flow rate.

MATERIAL

Mild steel construction with exterior paint. No anti-corrosion treatment required due to the buffer's closed circuit system.

D.H.W. HEAT EXCHANGER

Plate to plate stainless steel exchanger in external MACS® module for immediate D.H.W. production.

TECHNICAL DESCRIPTION

The immediate and fast production of D.H.W. granted by the outside system steel plate exchange allows the following benefits:

- to reduce dimensions of the water heater needed
- easy maintenance
- maximum hygiene for anti-legionellosis bacteria's
- to produce more DHW than the quantity obtained by boiler with

similar capacity because heating hot water is stored at an higher temperature than DHW

INSULATION

Buffer tank: High thermal insulation with ecological hard polyurethane foam. Models 800-1000 available with dismantlable hard foam insulation

MACS® module: insulating PPE cover.

Grey PVC external lining

WARRANTY

5 years (tank)

See general sales conditions and warranty for electrical parts.

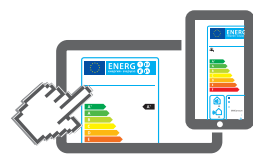
ACCESSORIES AND SPARE PARTS

See Accessories section for the entire list.



PUFFERMAS® 1 VB

Model	MACS® module maximum output	HARD FOAM insulation	SLB heat exchanger model / plates nr.	ENERGY EFFICIENCY CLASS
		Art. Nr.		
500	70 kW			C
600				C
800			SLB20 / 34	C
1000				C
1500	120 kW			C
1000			SLB40/ 40	C
1500				C



On line ErP label tool

Model	DHW Station max output (*)	DHW Station max flow rate (*)	Max DHW availability (10-45°C) with storage at 70°C
	[kW]	[l/min]	[litres]
500	70 kW	30	511
600		30	614
800		30	983
1000		30	1100
1500		30	1680
1000	120 kW	50	1503
1500		50	2254

(*)Data obtained under the following conditions:

- Primary water at 80°C
- DHW production from 10°C to 45°C.

Accessories on request

Thermometer

Art. Nr.
5032240000107
5 units box



Recirculation kit

Art. Nr.
5221000000054
Control display + pump (for D.H.W.)



Buffer tanks connecting kit

Art. Nr.	Connection
5006170001001	1" 1/2
Stainless steel extensible connecting kit - (200 ÷ 400 mm)	



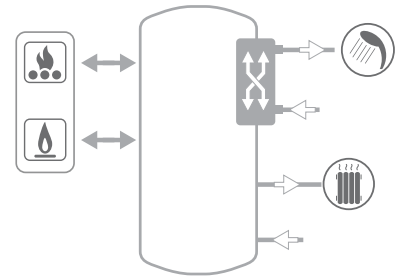
PUFFERMAS® 1

HEATING WATER BUFFER TANK WITH MACS® MODULE FOR IMMEDIATE D.H.W. PRODUCTION

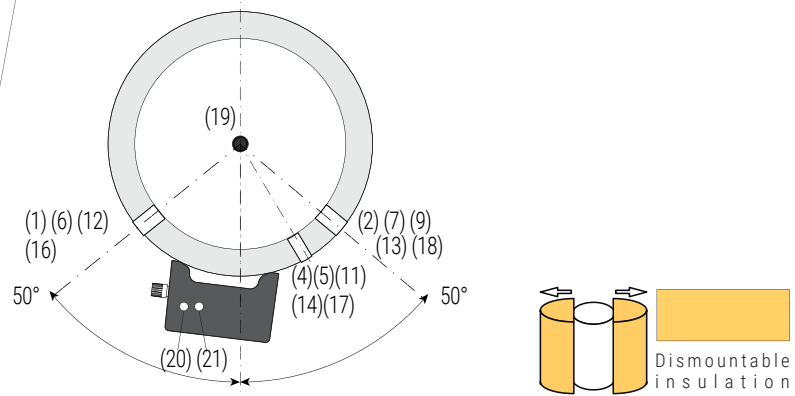
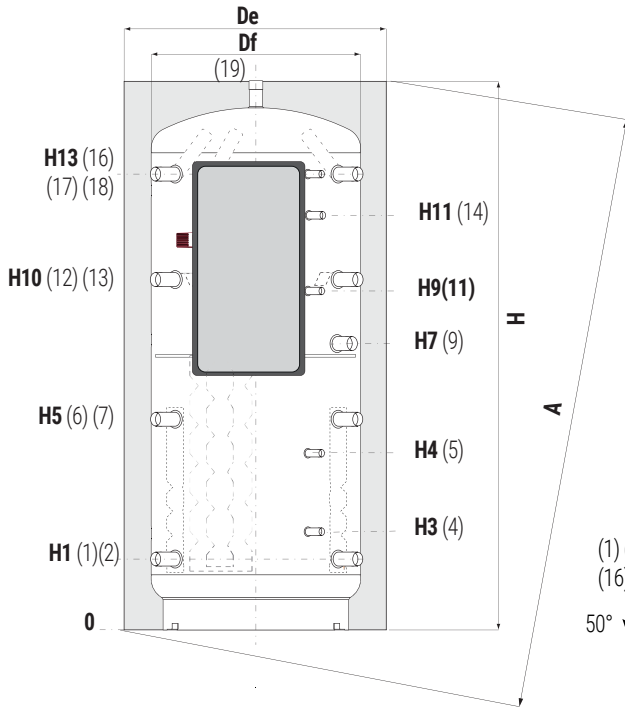
STORAGE		STAINLESS STEEL PLATE HEAT EXCHANGER (MACS®)		D.H.W. HARDNESS
Pmax	Tmax	Pmax	Tmax	F max
3 bar	99 °C	6 bar	99 °C	30 °f

CORDIVARI® Lab
TÜV Rheinland Energie und Umwelt GmbH states that test procedures and Cordivari LAB are certified conforming to European standard EN 15332, as indicated by Ecodesign ErP Directive.

TESTED
CORDIVARI Lab
ErP ECODESIGN
ASK ALWAYS FOR CERTIFIED LABORATORIES DATA RESULTS

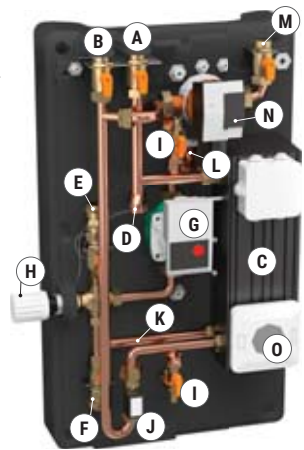


- 1-2-6-7 Heating return/To Generator 1 1/2" Gas F
- 4 - 5 Connection for instrumentation 1/2" Gas F
- 9 Electrical immersion 1 1/2" Gas F
- 11 Connection for instrumentation 1/2" Gas F
- 12-13-16-18 Heating delivery/ Heating return 1 1/2" Gas F
- 14 - 17 Connection for instrumentation 1/2" Gas F
- 19 Heating delivery 1 1/2" Gas F
- 20 Domestic cold water circuit inlet 3/4" Gas M (1" Gas M for models 120kW)
- 21 Domestic hot water circuit outlet 3/4" Gas M (1" Gas M for models 120kW)



Model	Volume [lt]	De	H	A	H1	H3	H4	H5	H7	H9	H10	H11	H13
		[mm]											
500	478	750	1619	1784	247	360	533	629	870	1025	1011	1130	1343
600	560	750	1870	2015	247	360	582	695	970	1200	1144	1485	1593
800	805	950	1840	2066	265	378	584	690	918	1115	1115	1442	1541
1000	946	950	2130	2328	265	384	656	787	1145	1388	1309	1588	1831
1500	1454	1100	2250	2504	313	432	736	845	1236	1396	1377	1783	1909

MACS® MODULE FOR IMMEDIATE D.H.W. PRODUCTION



A	Domestic Hot Water exit
B	Domestic Water entry
C	Stainless Steel Plate Exchanger
D	Control for thermostatic head
E	Heating water inlet from the buffer
F	Heating water back to the buffer
G	"Energy Saving" Circulation Pump
H	Thermostatic Valve
I	Valves In/Out for DHW
J	Flow switch for DHW
K	Return to primary circuit
L	Purge valve
D.H.W. recirculation kit (optional)	
M	Connection for D.H.W. recirculation (optional)
N	Recirculation pump (optional)
O	D.H.W. recirculation control display (optional)

MACS® module is an external unit that immediately produces hot domestic water, using the heat energy stored in the Buffer thanks to the stainless steel plate exchanger, granting safety and comfort with the possibility to regulate outlet temperature.

MACS® module is equipped with a thermostatic mixer in the heating water inlet (primary) from the buffer avoiding the plate exchanger to overheat reducing risk of formation of calcium deposit.



P.E.D. product designed and produced in conformity to the article 4.3 of directive 2014/68/UE - ErP Ecodesign directive 2009/125/CE

EXTRA-BOLLY® CALORIFIERS

BOLLYTERM® CALORIFIERS

STAINLESS STEEL CALORIFIERS

CALORIFIERS FOR HEAT PUMP

MULTIFUEL ENERGY CYLINDERS - PUFFER

HYDRONIC

INERTIAL TANKS

WATER PRESSURE TANKS

COMPRESSED AIR RECEIVERS

ACCESSORIES AND SPARE PARTS

TECHNICAL SUPPORT

PUFFERMAS® 2

HEATING WATER BUFFER TANK WITH 1 FIXED HEAT EXCHANGER AND MACS® MODULE FOR IMMEDIATE D.H.W. PRODUCTION



APPLICATION

Storage of heating hot water and immediate production of D.H.W. high flow rate.

MATERIAL

Mild steel construction with exterior paint. No anti-corrosion treatment required due to the buffer's closed circuit system.

D.H.W. HEAT EXCHANGER

Plate to plate stainless steel exchanger in external MACS® module for immediate D.H.W. production.

HEATING WATER HEAT EXCHANGER

1 fixed heat exchanger

TECHNICAL DESCRIPTION

The immediate and fast production of D.H.W. granted by the outside system steel plate exchange allow the following benefits:

- to reduce dimensions of the water heater needed
- easy maintenance
- maximum hygiene for anti-legionellosis bacteria's

- to produce more DHW than the quantity obtained by boiler with similar capacity because heating hot water is stored at a higher temperature than DHW

INSULATION

Buffer tank: High thermal insulation with ecological hard polyurethane foam.

MACS® module: insulating PPE cover.

Grey PVC external lining

WARRANTY

5 years (tank)

See general sales conditions and warranty for electrical parts.

ACCESSORIES AND SPARE PARTS

See Accessories section for the entire list.

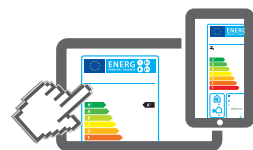


HARD FOAM INSULATION

PATENTED

PUFFERMAS® 2 VB

Model	MACS® module maximum output	HARD FOAM insulation Art. Nr.	SLB heat exchanger model / plates nr.	HEAT EXCHANGERS SURFACE [m²]	ENERGY EFFICIENCY CLASS ErP
500	70 kW	3251162314723	SLB20 / 34	1,9	C
600		3251162314724		2,1	C
800		3251162314725		2,5	C
1000		3251162314726		3,1	C
1500	120 kW	3251162314727	SLB40/ 40	3,8	C
1000		3251162314728		3,1	C
1500		3251162314729		3,8	C



www.cordivari.com/erp

On line ErP label tool

Model	DHW Station max output (*) [kW]	DHW Station max flow rate (*) [l/min]	Max DHW availability (10-45°C) with storage at 70°C [litres]
500	70 kW	30	511
600		30	614
800		30	983
1000		30	1100
1500	120 kW	30	1680
1000		50	1503
1500		50	2254

(*)Data obtained under the following conditions:

- Primary water at 80°C
- DHW production from 10°C to 45°C.

Accessories on request

Thermometer

Art. Nr.
5032240000107
5 units box



Recirculation kit

Art. Nr.
5221000000054
Control display + pump (for D.H.W.)



Buffer tanks connecting kit

Art. Nr.	Connection
5006170001001	1" 1/2
Stainless steel extensible connecting kit - (200 ÷ 400 mm)	



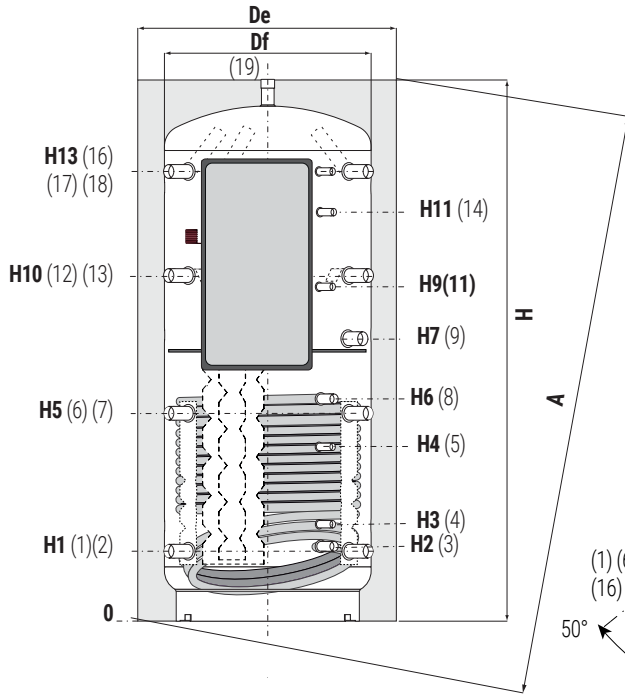
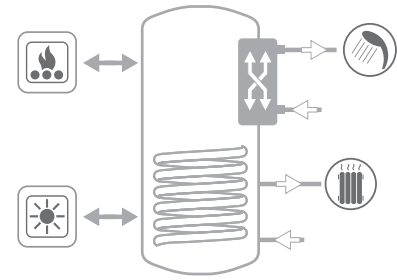
PUFFERMAS® 2

HEATING WATER BUFFER TANK WITH 1 FIXED HEAT EXCHANGER AND MACS® MODULE FOR IMMEDIATE D.H.W. PRODUCTION

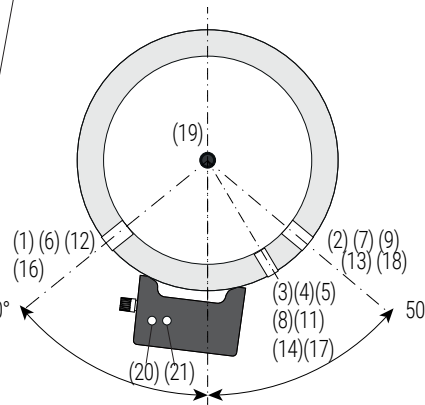
STORAGE		FIXED HEAT EXCHANGER		STAINLESS STEEL PLATE HEAT EXCHANGER (MACS®)		D.H.W. HARDNESS
Pmax	Tmax	Pmax	Tmax	Pmax	Tmax	F max
3 bar	99 °C	12 bar	110 °C	6 bar	99 °C	30 °f

CORDIVARI® Lab
TÜV Rheinland Energie und Umwelt GmbH states that test procedures and Cordivari LAB are certified conforming to European standard EN 15332, as indicated by Ecodesign ErP Directive.

TESTED
CORDIVARI Lab
TÜV ECODSIGN
ASK ALWAYS FOR CERTIFIED LABORATORIES DATA RESULTS

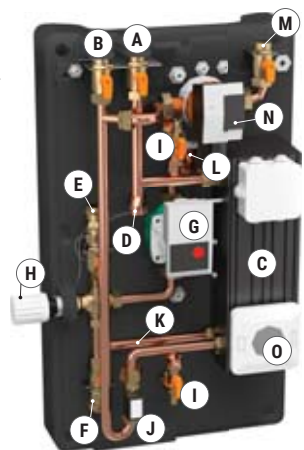


- 1-2-6-7** Heating return/To Generator 1 1/2 Gas F
- 3** Lower heat exchanger outlet 1" Gas F
- 4-5** Connection for instrumentation 1/2" Gas F
- 8** Lower heat exchanger inlet 1" Gas F
- 9** Electrical immersion 1 1/2 Gas F
- 11** Connection for instrumentation 1/2" Gas F
- 12-13-16-18** Heating delivery/ Heating return 1 1/2 Gas F
- 14-17** Connection for instrumentation 1/2" Gas F
- 19** Heating delivery 1 1/2 Gas F
- 20** Domestic cold water circuit inlet 3/4" Gas M (1" Gas M for models 120kW)
- 21** Domestic hot water circuit outlet 3/4" Gas M (1" Gas M for models 120kW)



Model	Volume [lt]	De	H	A	H1	H2	H3	H4	H5	H6	H7	H9	H10	H11	H13
500	478	750	1619	1784	247	260	360	533	629	744	870	1025	1011	1130	1343
600	560	750	1870	2015	247	260	360	582	695	855	970	1200	1144	1485	1593
800	805	950	1840	2066	265	278	378	584	690	762	918	1115	1115	1442	1541
1000	946	950	2130	2328	265	284	384	656	787	953	1145	1388	1309	1588	1831
1500	1454	1100	2250	2504	313	336	432	736	845	1006	1236	1396	1377	1783	1909

MACS® MODULE FOR IMMEDIATE D.H.W. PRODUCTION



A	Domestic Hot Water exit
B	Domestic Water entry
C	Stainless Steel Plate Exchanger
D	Control for thermostatic head
E	Heating water inlet from the buffer
F	Heating water back to the buffer
G	"Energy Saving" Circulation Pump
H	Thermostatic Valve
I	Valves In/Out for DHW
J	Flow switch for DHW
K	Return to primary circuit
L	Purge valve
D.H.W. recirculation kit (optional)	
M	Connection for D.H.W. recirculation (optional)
N	Recirculation pump (optional)
O	D.H.W. recirculation control display (optional)

MACS® module is an external unit that immediately produces hot domestic water, using the heat energy stored in the Buffer thanks to the stainless steel plate exchanger, granting safety and comfort with the possibility to regulate outlet temperature. MACS® module is equipped with a thermostatic mixer in the heating water inlet (primary) from the buffer avoiding the plate exchanger to overheat reducing risk of formation of calcium deposit.



P.E.D. product designed and produced in conformity to the article 4.3 of directive 2014/68/UE - ErP Ecodesign directive 2009/125/CE

EXTRA-BOLLY® CALORIFIERS
BOLLYTERM® CALORIFIERS
STAINLESS STEEL CALORIFIERS
CALORIFIERS FOR HEAT PUMP
MULTIFUEL ENERGY CYLINDERS - PUFFER
HYDRONIC
INERTIAL TANKS
WATER PRESSURE TANKS
COMPRESSED AIR RECEIVERS
ACCESSORIES AND SPARE PARTS
TECHNICAL SUPPORT

PUFFERMAS® 3

HEATING WATER BUFFER TANK WITH 2 FIXED HEAT EXCHANGERS AND MACS® MODULE FOR IMMEDIATE D.H.W. PRODUCTION



APPLICATION

Storage of heating hot water and immediate production of D.H.W. high flow rate.

MATERIAL

Mild steel construction with exterior paint. No anti-corrosion treatment required due to the buffer's closed circuit system.

D.H.W. HEAT EXCHANGER

Plate to plate stainless steel exchanger in external MACS® module for immediate D.H.W. production.

HEATING WATER HEAT EXCHANGER

2 fixed heat exchangers

TECHNICAL DESCRIPTION

The immediate and fast production of D.H.W. granted by the outside system steel plate exchange allow the following benefits:

- to reduce dimensions of the water heater needed
- easy maintenance
- maximum hygiene for anti-legionellosis bacteria's

- to produce more DHW than the quantity obtained by boiler with similar capacity because heating hot water is stored at a higher temperature than DHW

INSULATION

Buffer tank: High thermal insulation with ecological hard polyurethane foam. Models 800-1000 available with dismantlable hard foam insulation

MACS® module: insulating PPE cover.

Grey PVC external lining

WARRANTY

5 years (tank)

See general sales conditions and warranty for electrical parts.

ACCESSORIES AND SPARE PARTS

See Accessories section for the entire list.

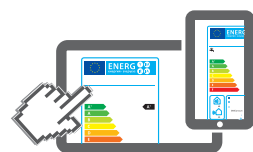


HARD FOAM INSULATION

PATENTED

PUFFERMAS® 3 VB

Model	MACS® module maximum output	HARD FOAM insulation Art. Nr.	SLB heat exchanger model / plates nr.	HEAT EXCHANGERS SURFACE		ENERGY EFFICIENCY CLASS ErP
				Upper [lt]	Lower [m²]	
500	70 kW	3251162314743	SLB20 / 34	1,3	1,9	C
600		3251162314744		1,3	2,1	C
800		3251162314745		1,8	2,5	C
1000		3251162314746		2,5	3,1	C
1500	120 kW	3251162314747	SLB40/ 40	2,8	3,8	C
1000		3251162314748		2,5	3,1	C
1500		3251162314749		2,8	3,8	C



www.cordivari.com/erp

On line ErP label tool

Model	DHW Station max output (*)	DHW Station max flow rate (*)	Max DHW availability (10-45°C) with storage at 70°C
	[kW]	[l/min]	[litres]
500	70 kW	30	511
600		30	614
800		30	983
1000		30	1100
1500		30	1680
1000	120 kW	50	1503
1500		50	2254

(*)Data obtained under the following conditions:

- Primary water at 80°C
- DHW production from 10°C to 45°C.

Accessories on request

Thermometer

Art. Nr.
5032240000107
5 units box



Recirculation kit

Art. Nr.
5221000000054
Control display + pump (for D.H.W.)



Buffer tanks connecting kit

Art. Nr.	Connection
5006170001001	1" 1/2
Stainless steel extensible connecting kit - (200 ÷ 400 mm)	

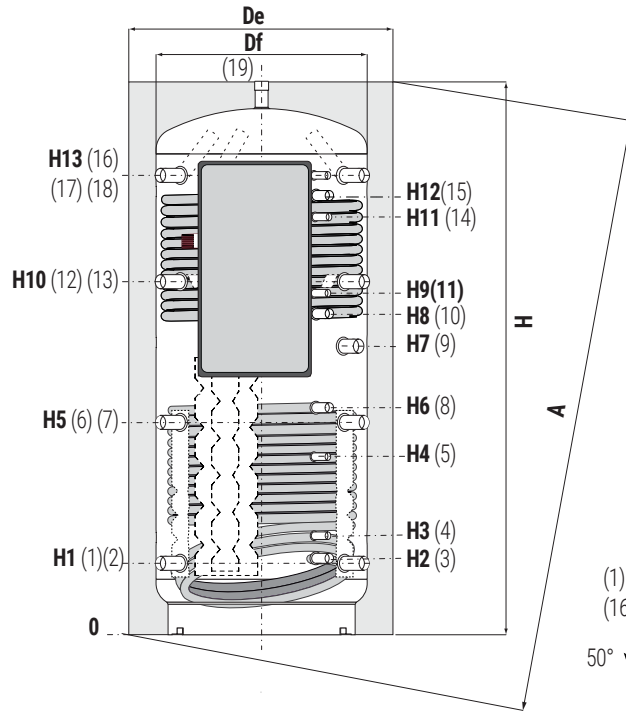
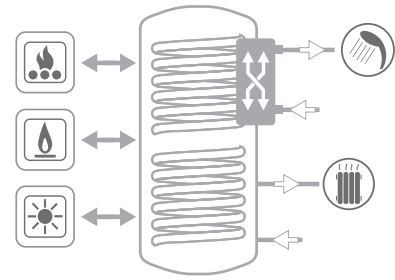


PUFFERMAS® 3

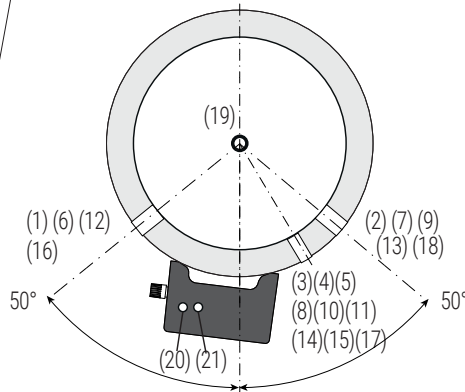
HEATING WATER BUFFER TANK WITH 2 FIXED HEAT EXCHANGERS AND MACS® MODULE FOR IMMEDIATE D.H.W. PRODUCTION

STORAGE		FIXED HEAT EXCHANGER		STAINLESS STEEL PLATE HEAT EXCHANGER (MACS®)		D.H.W. HARDNESS
Pmax	Tmax	Pmax	Tmax	Pmax	Tmax	F max
3 bar	99 °C	12 bar	110 °C	6 bar	99 °C	30 °f

CORDIVARI® Lab
TÜV Rheinland Energie und Umwelt GmbH states that test procedures and Cordivari LAB are certified conforming to European standard EN 15332, as indicated by Ecodesign ErP Directive.

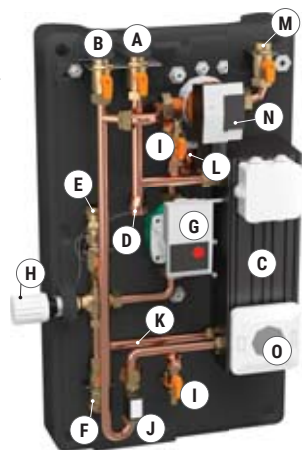


- | | | | |
|----------------|---|--------------------|--|
| 1-2-6-7 | Heating return/To Generator1"1/2 Gas F | 12-13-16-18 | Heating delivery/ Heating return 1"1/2 Gas F |
| 3 | Lower heat exchanger outlet 1" Gas F | 14 - 17 | Connection for instrumentation 1/2" Gas F |
| 4 - 5 | Connection for instrumentation 1/2" Gas F | 15 | Upper heat exchanger inlet 1" Gas F |
| 8 | Lower heat exchanger inlet 1" Gas F | 19 | Heating delivery 1"1/2 Gas F |
| 9 | Electrical immersion 1"1/2 Gas F | 20 | Domestic cold water circuit inlet 3/4" Gas M (1" Gas M for models 120kW) |
| 10 | Upper heat exchanger outlet 1" Gas F | 21 | Domestic hot water circuit outlet 3/4" Gas M (1" Gas M for models 120kW) |
| 11 | Connection for instrumentation 1/2" Gas F | | |



Model	Volume [lt]	De	H	A	H1	H2	H3	H4	H5	H6	H7	H8	H9	H10	H11	H12	H13
		[mm]															
500	478	750	1619	1784	247	260	360	533	629	744	870	930	1025	1011	1130	1231	1343
600	560	750	1870	2015	247	260	360	582	695	855	970	1090	1200	1144	1485	1391	1593
800	805	950	1840	2066	265	278	378	584	690	762	918	1003	1115	1115	1442	1347	1541
1000	946	950	2130	2328	265	284	384	656	787	953	1145	1188	1388	1309	1588	1661	1831
1500	1454	1100	2250	2504	313	336	432	736	845	1006	1236	1286	1396	1377	1783	1673	1909

MACS® MODULE FOR IMMEDIATE D.H.W. PRODUCTION



A	Domestic Hot Water exit
B	Domestic Water entry
C	Stainless Steel Plate Exchanger
D	Control for thermostatic head
E	Heating water inlet from the buffer
F	Heating water back to the buffer
G	"Energy Saving" Circulation Pump
H	Thermostatic Valve
I	Valves In/Out for DHW
J	Flow switch for DHW
K	Return to primary circuit
L	Purge valve
D.H.W. recirculation kit (optional)	
M	Connection for D.H.W. recirculation (optional)
N	Recirculation pump (optional)
O	D.H.W. recirculation control display (optional)

MACS® module is an external unit that immediately produces hot domestic water, using the heat energy stored in the Buffer thanks to the stainless steel plate exchanger, granting safety and comfort with the possibility to regulate outlet temperature.

MACS® module is equipped with a thermostatic mixer in the heating water inlet (primary) from the buffer avoiding the plate exchanger to overheat reducing risk of formation of calcium deposit.



EXTRA-BOLLY® CALORIFIERS
BOLLYTERM® CALORIFIERS
STAINLESS STEEL CALORIFIERS
CALORIFIERS FOR HEAT PUMP
MULTIFUEL ENERGY CYLINDERS - PUFFER
HYDRONIC
INERTIAL TANKS
WATER PRESSURE TANKS
COMPRESSED AIR RECEIVERS
ACCESSORIES AND SPARE PARTS
TECHNICAL SUPPORT

PUFFERMAS® 2 CTS

STORAGE BUFFER TANKS FOR HEATING WATER WITH STRATIFICATION DEVICE, 1 FIXED HEAT EXCHANGER AND MACS® D.H.W. STATION FOR INSTANTANEOUS PRODUCTION OF SANITARY WATER



APPLICATION

Storage of heating hot water with stratification device and D.H.W immediate production with high flow rate.

MATERIAL

Mild steel construction with exterior paint. No anti-corrosion treatment required due to the buffer's closed circuit system.

D.H.W. HEAT EXCHANGER

Plate to plate stainless steel exchanger in external MACS® module for immediate D.H.W. production.

HEATING WATER HEAT EXCHANGER

1 mild steel fixed heat exchanger.

TECHNICAL DESCRIPTION

The immediate and fast production of D.H.W. granted by the outside system steel plate exchange allow the following benefits:

- to reduce dimensions of the water heater needed
- easy maintenance
- maximum hygiene for anti-legionellosis bacteria's
- to produce more DHW than the quantity obtained by calorifier with similar capacity because heating hot water is stored at a higher temperature than DHW.

Puffermas 2 CTS® is characterized by multiple thermal stratification system based on the combination of Cordivari Labyrinth spreader for returning heating water (both from heating installation and from

MACS® DHW station) with a new stratification device that conveys in the upper part of the tank the water heated up by the lower fixed exchanger. This combination ensures a perfect natural stratification inside the tank with no valve or additional external device.

The lower fixed exchanger allows the possibility of connecting with a solar system. Being positioned at the bottom lower part of the buffer tank and with very small footprint, it increases the volume available for the storage.

INSULATION

Buffer tank: High thermal insulation with ecological hard polyurethane foam. Models 800-1000 available with dismantlable hard foam insulation

MACS® module: insulating PPE cover.

Grey PVC external lining

WARRANTY

5 years (tank)

See general sales conditions and warranty for electrical parts.

ACCESSORIES AND SPARE PARTS

See Accessories section for the entire list.

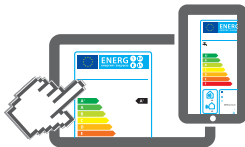


HARD FOAM INSULATION

PATENTED

PUFFERMAS® 2 CTS VB

Model	MACS® module maximum output	HARD FOAM insulation Art. Nr.	SLB heat exchanger model / plates nr.	HEAT EXCHANGERS SURFACE [m ²]	ENERGY EFFICIENCY CLASS ErP
500		3251162316403		1,9	C
600		3251162316404		2,1	C
800	70 kW	3251162316405	SLB20 / 34	2,5	C
1000		3251162316406		3,1	C
1500		3251162316407		3,8	C
1000	120 kW	3251162316408	SLB40/ 40	3,1	C
1500		3251162316409		3,8	C



www.cordivari.com/erp

On line ErP label tool

(*Data obtained under the following conditions:

- Primary water at 80°C
- DHW production from 10°C to 45°C.

Model	DHW Station max output (*) [kW]	DHW Station max flow rate (*) [l/min]	Max DHW availability (10-45°C) with storage at 70°C [litres]
500		30	511
600		30	614
800	70 kW	30	983
1000		30	1100
1500		30	1680
1000	120 kW	50	1503
1500		50	2254

Accessories on request

Thermometer

Art. Nr.
5032240000107
5 units box



Recirculation kit

Art. Nr.
5221000000054
Control display + pump (for D.H.W.)



Buffer tanks connecting kit

Art. Nr.	Connection
5006170001001	1" 1/2
Stainless steel extensible connecting kit - (200 ÷ 400 mm)	



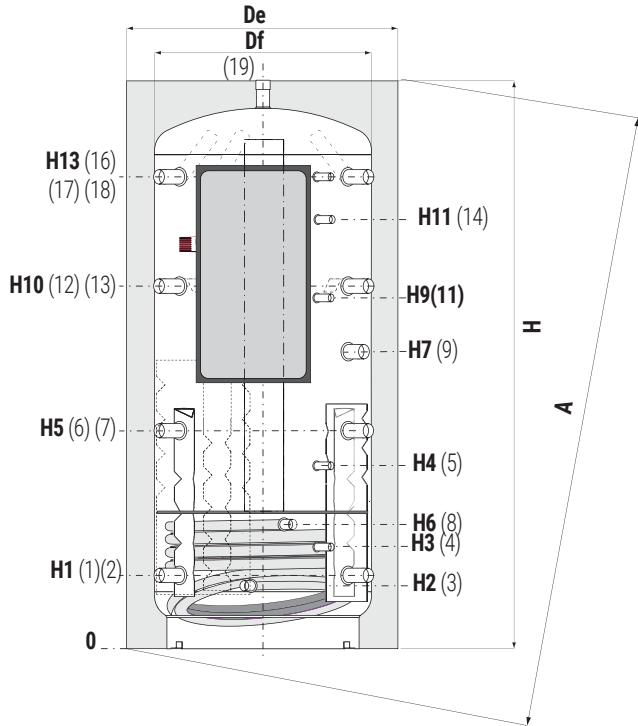
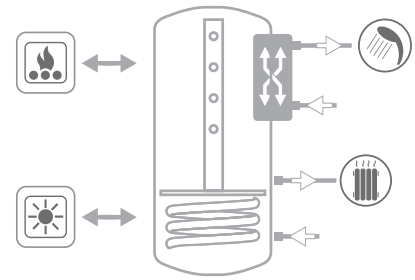
PUFFERMAS® 2 CTS

STORAGE BUFFER TANKS FOR HEATING WATER WITH STRATIFICATION DEVICE, 1 FIXED HEAT EXCHANGER AND MACS® D.H.W. STATION FOR INSTANTANEOUS PRODUCTION OF SANITARY WATER

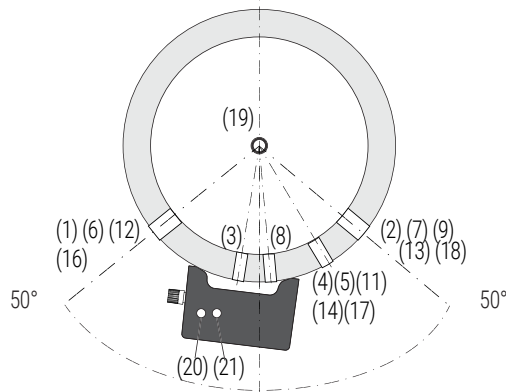
STORAGE		FIXED HEAT EXCHANGER		STAINLESS STEEL PLATE HEAT EXCHANGER (MACS®)		D.H.W. HARDNESS
Pmax	Tmax	Pmax	Tmax	Pmax	Tmax	F max
3 bar	99 °C	12 bar	110 °C	6 bar	99 °C	30 °f

CORDIVARI Lab
TÜV Rheinland Energie und Umwelt GmbH states that test procedures and Cordivari LAB are certified conforming to European standard EN 15332, as indicated by Ecodesign ErP Directive.

TESTED
CORDIVARI Lab
TÜV ECODESIGN
ASK ALWAYS FOR CERTIFIED LABORATORIES DATA RESULTS

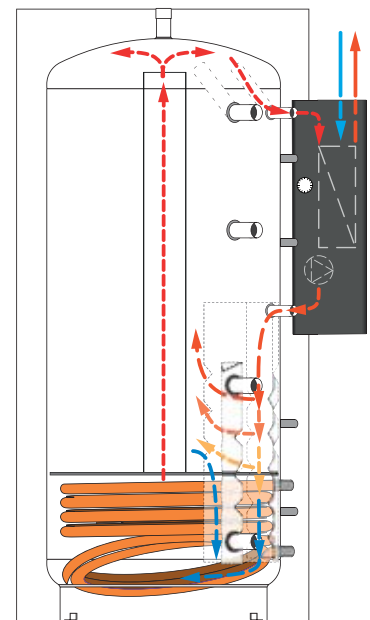


1-2-6-7	Heating return/ To Generator 1 1/2" Gas F
3	Lower heat exchanger outlet 1" Gas F
4-5	Connection for instrumentation 1/2" Gas F
8	Lower heat exchanger inlet 1" Gas F
9	Electrical immersion 1 1/2" Gas F
11	Connection for instrumentation 1/2" Gas F
12-13-16-18	Heating delivery/ Heating return 1 1/2" Gas F
14-17	Connection for instrumentation 1/2" Gas F
19	Heating delivery/Air purge 1 1/2" Gas F
20	Domestic cold water circuit inlet 3/4" Gas M (1" Gas M for models 120kW)
21	Domestic hot water circuit outlet 3/4" Gas M (1" Gas M for models 120kW)



SUITABLE FOR THERMAL SOLAR SYSTEMS

THE ILLUSTRATION UNDERLINES THE STRATIFICATION PROCESS (FROM TOP TO BOTTOM) THAT ALLOWS TO HAVE ALL ENERGY NEEDED RAPIDLY AVAILABLE



Model	Volume [lt]	De	H	A	H1	H2	H3	H4	H5	H6	H7	H9	H10	H11	H13
		[mm]													
500	478	750	1619	1784	247	215	360	533	629	425	870	1025	1011	1130	1343
600	560	750	1870	2015	247	215	360	582	695	425	970	1200	1144	1485	1593
800	805	940	1840	2066	265	233	378	584	690	443	918	1115	1115	1442	1541
1000	946	940	2130	2328	265	233	384	656	787	443	1145	1388	1309	1588	1831
1500	1454	1100	2250	2504	313	281	432	736	845	491	1236	1396	1377	1783	1909

P.E.D. product designed and produced in conformity to the article 4.3 of directive 2014/68/UE - ErP Ecodesign directive 2009/125/CE

EXTRA-BOLLY® CALORIFIERS
BOLLYTERM® CALORIFIERS
STAINLESS STEEL CALORIFIERS
CALORIFIERS FOR HEAT PUMP
MULTIFUEL ENERGY CYLINDERS - PUFFER
HYDRONIC
INERTIAL TANKS
WATER PRESSURE TANKS
COMPRESSED AIR RECEIVERS
ACCESSORIES AND SPARE PARTS
TECHNICAL SUPPORT

PUFFERMAS® 3 CTS

STORAGE BUFFER TANKS FOR HEATING WATER WITH STRATIFICATION DEVICE, 2 FIXED HEAT EXCHANGERS AND MACS® D.H.W. STATION FOR INSTANTANEOUS PRODUCTION OF SANITARY WATER



APPLICATION

Storage of heating hot water with stratification device and D.H.W immediate production with high flow rate. Ideal for solar thermal solutions and for heating systems with mixed energy sources such as biomass and solar and even allowing the integration of a third energy source.

MATERIAL

Mild steel construction with exterior paint. No anti-corrosion treatment required due to the buffer's closed circuit system.

D.H.W. HEAT EXCHANGER

Plate to plate stainless steel exchanger in external MACS® module for immediate D.H.W. production.

HEATING WATER HEAT EXCHANGER

2 fixed heat exchangers

TECHNICAL DESCRIPTION

The immediate and fast production of D.H.W. granted by the outside system steel plate exchange allow the following benefits:

- to reduce dimensions of the water heater needed
- easy maintenance
- maximum hygiene for anti-legionellosis bacteria's
- to produce more DHW than the quantity obtained by calorifier with similar capacity because heating hot water is stored at an higher temperature than DHW.

Puffermas 3 CTS® is characterized by multiple thermal stratification system based on the combination of Cordivari Labyrinth spreader for returning heating water (both from heating installation and from MACS® DHW station) with a new stratification device that conveys in the upper part of the tank the water heated up by the lower fixed coil. This combination ensures a perfect natural stratification inside the tank with no valve or additional external device.

The lower fixed coil allows the possibility of connecting with a solar system. Being positioned at the bottom lower part of the buffer tank and with very small footprint, it increases the volume available for the storage.

INSULATION

Buffer tank: High thermal insulation with ecological hard polyurethane foam. Models 800-1000 available with dismantlable hard foam insulation

MACS® module: insulating PPE cover.

Grey PVC external lining

WARRANTY

5 years (tank)

See general sales conditions and warranty for electrical parts.

ACCESSORIES AND SPARE PARTS

See Accessories section for the entire list.

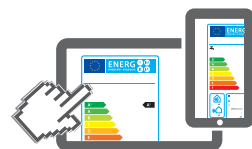


HARD FOAM INSULATION

PATENTED

PUFFERMAS® 3 CTS VB

Model	MACS® module maximum output	HARD FOAM insulation Art. Nr.	SLB heat exchanger model / plates nr.	HEAT EXCHANGERS SURFACE		ENERGY EFFICIENCY CLASS
				Upper [lt]	Lower [m²]	
500		3251162316423		1,3	1,9	C
600		3251162316424		1,3	2,1	C
800	70 kW	3251162316425	SLB20 / 34	1,8	2,5	C
1000		3251162316426		2,5	3,1	C
1500	120 kW	3251162316427	SLB40/ 40	2,8	3,8	C
1000		3251162316428		2,5	3,1	C
1500		3251162316429		2,8	3,8	C



www.cordivari.com/erp

On line ErP label tool

(*Data obtained under the following conditions:

- Primary water at 80°C
- DHW production from 10°C to 45°C.

Model	DHW Station max output (*)	DHW Station max flow rate (*)	Max DHW availability (10-45°C) with storage at 70°C
	[kW]	[l/min]	[litres]
500	70 kW	30	511
600		30	614
800		30	983
1000		30	1100
1500		30	1680
1000	120 kW	50	1503
1500		50	2254

Accessories on request

Thermometer

Art. Nr.
5032240000107
5 units box



Recirculation kit

Art. Nr.
5221000000054
Control display + pump (for D.H.W.)



Buffer tanks connecting kit

Art. Nr.	Connection
5006170001001	1" 1/2
Stainless steel extensible connecting kit - (200 ÷ 400 mm)	



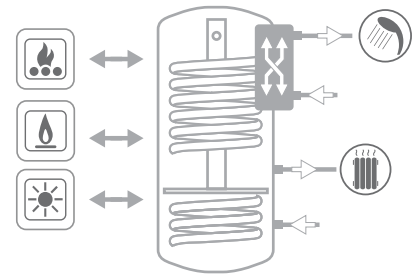
PUFFERMAS® 3 CTS

STORAGE BUFFER TANKS FOR HEATING WATER WITH STRATIFICATION DEVICE, 2 FIXED HEAT EXCHANGERS AND MACS® D.H.W. STATION FOR INSTANTANEOUS PRODUCTION OF SANITARY WATER

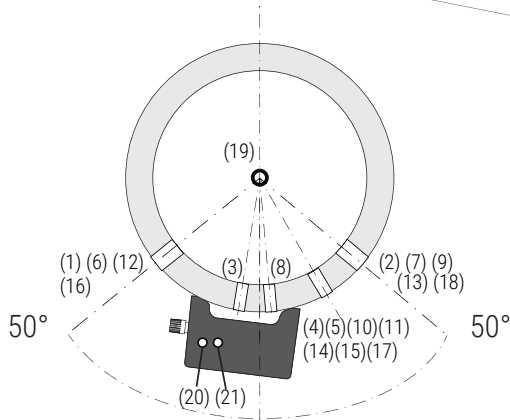
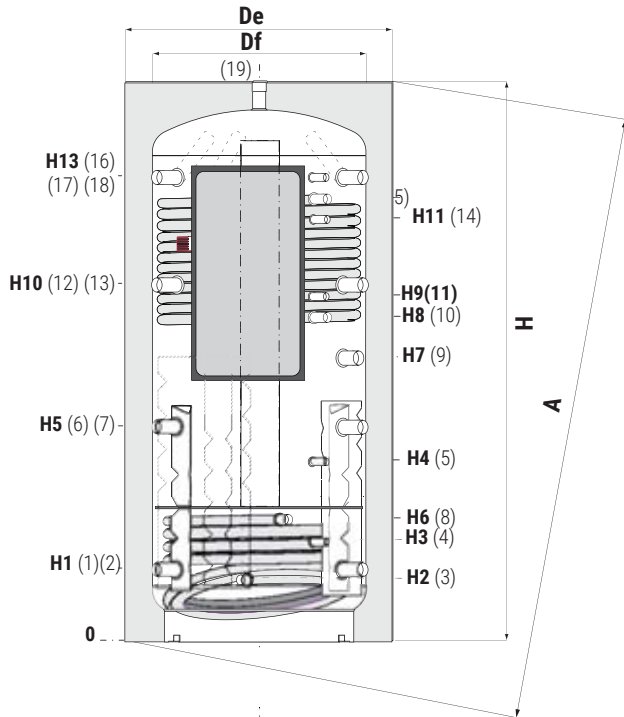
STORAGE		FIXED HEAT EXCHANGER		STAINLESS STEEL PLATE HEAT EXCHANGER (MACS®)		D.H.W. HARDNESS
Pmax	Tmax	Pmax	Tmax	Pmax	Tmax	F max
3 bar	99 °C	12 bar	110 °C	6 bar	99 °C	30 °f

CORDIVARI® Lab
TÜV Rheinland Energie und Umwelt GmbH states that test procedures and Cordivari LAB are certified conforming to European standard EN 15332, as indicated by Ecodesign ErP Directive.

TESTED
CORDIVARI Lab
ErP ECODESIGN
ASK ALWAYS FOR CERTIFIED LABORATORIES DATA RESULTS

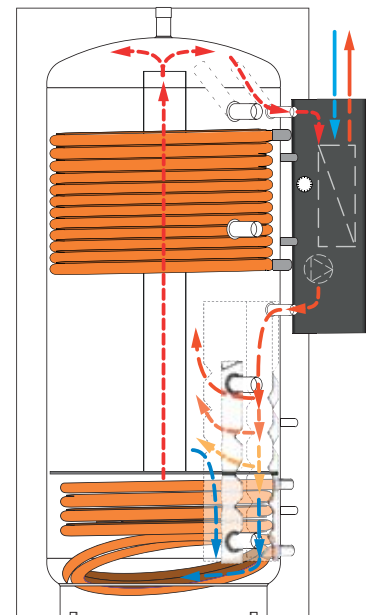


1-2-6-7	Heating return/To Generator 1"1/2 Gas F
3	Lower heat exchanger outlet 1" Gas F
4-5	Connection for instrumentation 1/2" Gas F
8	Lower heat exchanger inlet 1" Gas F
9	Electrical immersion 1"1/2 Gas F
11	Connection for instrumentation 1/2" Gas F
12-13-16-18	Heating delivery/ Heating return 1"1/2 Gas F
14-17	Connection for instrumentation 1/2" Gas F
19	Heating delivery/Air purge 1"1/2 Gas F
20	Domestic cold water circuit inlet 3/4" Gas M (1" Gas M for models 120kW)
21	Domestic hot water circuit outlet 3/4" Gas M (1" Gas M for models 120kW)



SUITABLE FOR THERMAL SOLAR SYSTEMS

THE ILLUSTRATION UNDERLINES THE STRATIFICATION PROCESS (FROM TOP TO BOTTOM) THAT ALLOWS TO HAVE ALL ENERGY NEEDED RAPIDLY AVAILABLE



Model	Volume [lt]	De	H	A	H1	H2	H3	H4	H5	H6	H7	H8	H9	H10	H11	H12	H13
500	650	750	1619	1784	247	215	360	533	629	425	870	930	1025	1011	1130	1231	1343
600	650	750	1870	2015	247	215	360	582	695	425	970	1090	1200	1144	1485	1391	1593
800	790	940	1840	2066	265	233	378	584	690	443	918	1003	1115	1115	1442	1347	1541
1000	790	940	2130	2328	265	233	384	656	787	443	1145	1188	1388	1309	1588	1661	1831
1500	950	1100	2250	2504	313	281	432	736	845	491	1236	1286	1396	1377	1783	1673	1909

P.E.D. product designed and produced in conformity to the article 4.3 of directive 2014/68/UE - ErP Ecodesign directive 2009/125/CE

EXTRA-BOLLY® CALORIFIERS
BOLLYTERM® CALORIFIERS
STAINLESS STEEL CALORIFIERS
CALORIFIERS FOR HEAT PUMP
MULTIFUEL ENERGY CYLINDERS - PUFFER
HYDRONIC
INERTIAL TANKS
WATER PRESSURE TANKS
COMPRESSED AIR RECEIVERS
ACCESSORIES AND SPARE PARTS
TECHNICAL SUPPORT

PUFFERMAS® 2 CTS POWER

HEATING WATER BUFFER TANK WITH 1 FIXED HEAT EXCHANGER, INTEGRATED SOLAR CIRCULATION GROUP, MACS® MODULE FOR IMMEDIATE D.H.W. PRODUCTION



APPLICATION

Storage by stratification of heating water, instantaneous production of domestic hot water (DHW) with high flows and performances and also management of the solar circulation, in solar thermal system / biomass boiler.

MATERIAL

Mild steel construction with exterior paint. No anti-corrosion treatment required due to the buffer's closed circuit system.

D.H.W. HEAT EXCHANGER

Plate to plate stainless steel exchanger in external MACS® module for immediate D.H.W. production.

SOLAR STATION:

Solar station cabled components on the tank (circulation group- Professional central unit with 5 temperature probes)

HEATING WATER HEAT EXCHANGER

1 mild steel fixed heat exchanger.

TECHNICAL DESCRIPTION

Specific for accumulation and management of the heat produced by the thermal solar system, combines the use of the Puffer's characteristics with the ones of a fast DHW producer without the storage of domestic hot water, with the following advantages:

- to reduce dimensions of the water heater needed
- easy maintenance
- maximum hygiene for anti-legionellosis bacteria's
- to produce more DHW than the quantity obtained by boiler with similar capacity because heating hot water is stored at a higher temperature than DHW.

INSULATION

Buffer tank: High thermal insulation with ecological hard polyurethane foam. Models 800-1000 available with dismantlable hard foam insulation

Macs® module and solar circulation group: insulating PPE cover. Grey PVC external lining

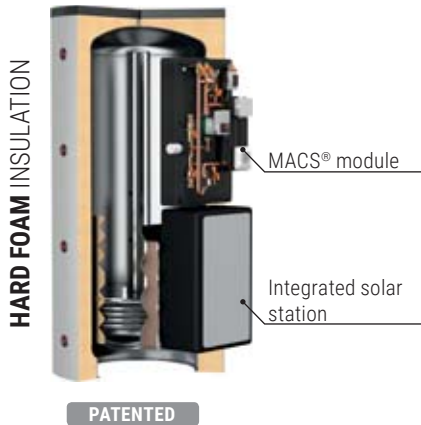
WARRANTY

5 years (tank)

See general sales conditions and warranty for electrical parts.

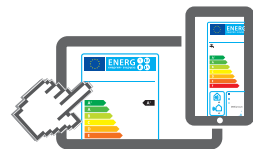
ACCESSORIES AND SPARE PARTS

See Accessories section for the entire list.



PUFFERMAS® 2 CTS POWER VB

Model	MACS® module maximum output	HARD FOAM insulation Art. Nr.	SLB heat exchanger model / plates nr.	HEAT EXCHANGERS SURFACE [m ²]	ENERGY EFFICIENCY CLASS
500		3251162316443		1,9	C
600		3251162316444		2,1	C
800	70 kW	3251162316445	SLB20 / 34	2,5	C
1000		3251162316446			
1500	120 kW	3251162316447	SLB40/ 40	3,1	C
1000		3251162316448			
1500		3251162316449			



www.cordivari.com/erp

On line ErP label tool

(*Data obtained under the following conditions:

- Primary water at 80°C
- DHW production from 10°C to 45°C.

Model	DHW Station max output (*) [kW]	DHW Station max flow rate (*) [l/min]	Max DHW availability (10-45°C) with storage at 70°C [litres]
500	70 kW	30	511
600		30	614
800		30	983
1000		30	1100
1500		30	1680
1000	120 kW	50	1503
1500		50	2254

Accessories on request

Thermometer

Art. Nr.
5032240000107
5 units box



Recirculation kit

Art. Nr.
5221000000054
Control display + pump (for D.H.W.)



Buffer tanks connecting kit

Art. Nr.	Connection
5006170001001	1" 1/2
Stainless steel extensible connecting kit - (200 ÷ 400 mm)	



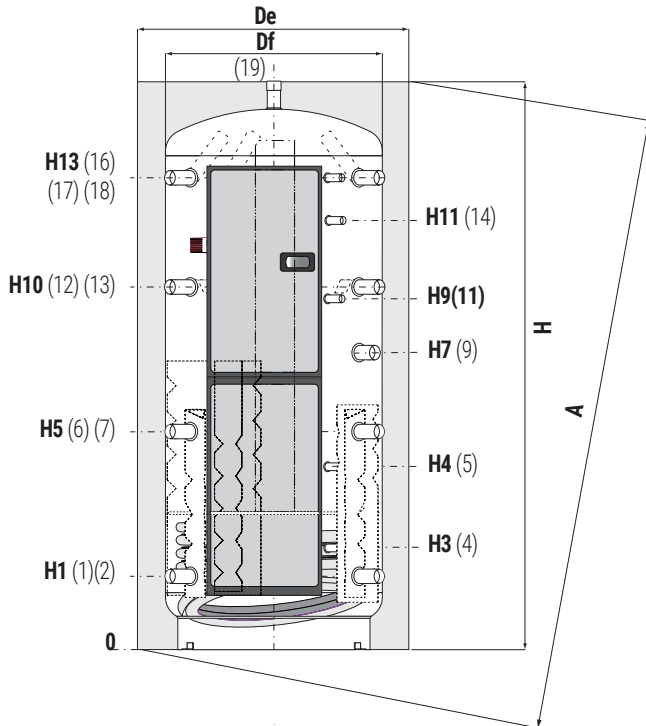
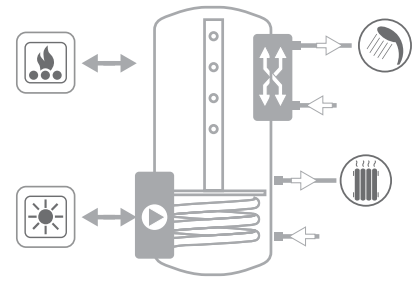
PUFFERMAS® 2 CTS POWER

HEATING WATER BUFFER TANK WITH 1 FIXED HEAT EXCHANGER, INTEGRATED SOLAR CIRCULATION GROUP, MACS® MODULE FOR IMMEDIATE D.H.W. PRODUCTION

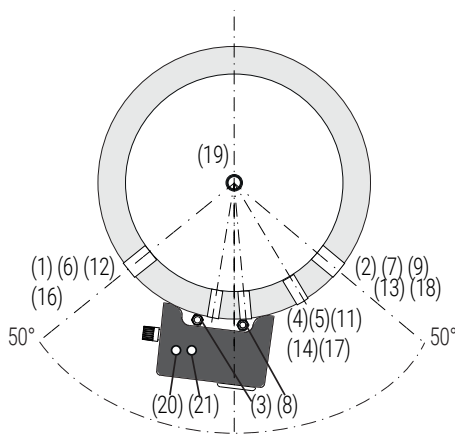
STORAGE		FIXED HEAT EXCHANGER		STAINLESS STEEL PLATE HEAT EXCHANGER (MACS®)		D.H.W. HARDNESS
Pmax	Tmax	Pmax	Tmax	Pmax	Tmax	F max
3 bar	99 °C	12 bar	110 °C	6 bar	99 °C	30 °f

CORDIVARI® Lab
TÜV Rheinland Energie und Umwelt GmbH states that test procedures and Cordivari LAB are certified conforming to European standard EN 15332, as indicated by Ecodesign ErP Directive.

TESTED
CORDIVARI Lab
TÜV ECODSIGN
ASK ALWAYS FOR CERTIFIED LABORATORIES DATA RESULTS

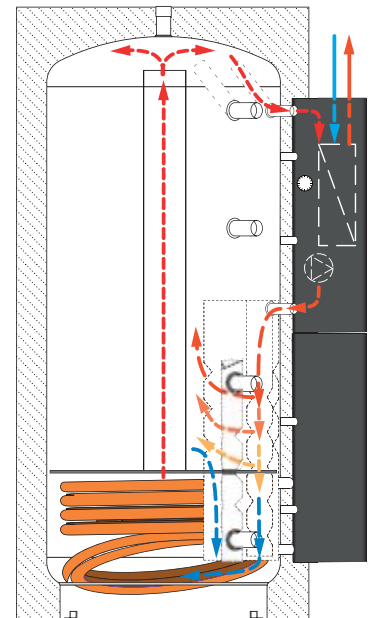


1-2-6-7	Heating return/To Generator 1 1/2" Gas F
3	Lower heat exchanger outlet 1" Gas F
4 - 5	Connection for instrumentation 1/2" Gas F
8	Lower heat exchanger inlet 1" Gas F
9	Electrical immersion 1 1/2" Gas F
11	Connection for instrumentation 1/2" Gas F
12-13-16-18	Heating delivery/ Heating return 1 1/2" Gas F
14 - 17	Connection for instrumentation 1/2" Gas F
19	Heating delivery/Air purge 1 1/2" Gas F
20	Domestic cold water circuit inlet 3/4" Gas M (1" Gas M for models 120kW)
21	Domestic hot water circuit outlet 3/4" Gas M (1" Gas M for models 120kW)



SUITABLE FOR THERMAL SOLAR SYSTEMS

THE ILLUSTRATION UNDERLINES THE STRATIFICATION PROCESS (FROM TOP TO BOTTOM) THAT ALLOWS TO HAVE ALL ENERGY NEEDED RAPIDLY AVAILABLE



Model	Volume [lt]	De	H	A	H1	H2	H3	H4	H5	H6	H7	H9	H10	H11	H13
		[mm]													
500	478	750	1619	1784	247	215	360	533	629	425	870	1025	1011	1130	1343
600	560	750	1870	2015	247	215	360	582	695	425	970	1200	1144	1485	1593
800	805	940	1840	2066	265	233	378	584	690	443	918	1115	1115	1442	1541
1000	946	940	2130	2328	265	233	384	656	787	443	1145	1388	1309	1588	1831
1500	1454	1100	2250	2504	313	281	432	736	845	491	1236	1396	1377	1783	1909

P.E.D. product designed and produced in conformity to the article 4.3 of directive 2014/68/UE - ErP Ecodesign directive 2009/125/CE

EXTRA-BOLLY® CALORIFIERS
BOLLYTERM® CALORIFIERS
STAINLESS STEEL CALORIFIERS
CALORIFIERS FOR HEAT PUMP
MULTIFUEL ENERGY CYLINDERS - PUFFER
HYDRONIC
INERTIAL TANKS
WATER PRESSURE TANKS
COMPRESSED AIR RECEIVERS
ACCESSORIES AND SPARE PARTS
TECHNICAL SUPPORT

PUFFERMAS® 3 CTS POWER

HEATING WATER BUFFER TANK WITH 2 FIXED HEAT EXCHANGERS, INTEGRATED SOLAR CIRCULATION GROUP, MACS® MODULE FOR IMMEDIATE D.H.W. PRODUCTION



APPLICATION

Storage by stratification of heating water, instantaneous production of domestic hot water (DHW) with high flows and performances and also management of the solar circulation, in solar thermal system / biomass boiler.

MATERIAL

Mild steel construction with exterior paint. No anti-corrosion treatment required due to the buffer's closed circuit system.

D.H.W. HEAT EXCHANGER

Plate to plate stainless steel exchanger in external MACS® module for immediate D.H.W. production.

SOLAR STATION:

Solar station cabled components on the tank (circulation group- Professional central unit with 5 temperature probes)

HEATING WATER HEAT EXCHANGER

2 mild steel fixed heat exchangers.

TECHNICAL DESCRIPTION

Specific for accumulation and management of the heat produced by the thermal solar system, combines the use of the Puffer's characteristics with the ones of a fast DHW producer without the storage of domestic hot water, with the following advantages:

- to reduce dimensions of the water heater needed
- easy maintenance
- maximum hygiene for anti-legionellosis bacteria's
- to produce more DHW than the quantity obtained by boiler with similar capacity because heating hot water is stored at a higher temperature than DHW.

INSULATION

Buffer tank: High thermal insulation with ecological hard polyurethane foam. Models 800-1000 available with dismantlable hard foam insulation

Macs® module and solar circulation group: insulating PPE cover.

Grey PVC external lining

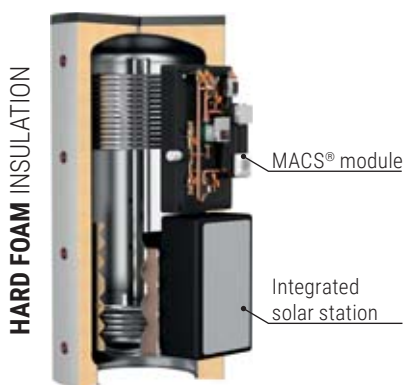
WARRANTY

5 years (tank)

See general sales conditions and warranty for electrical parts.

ACCESSORIES AND SPARE PARTS

See Accessories section for the entire list.

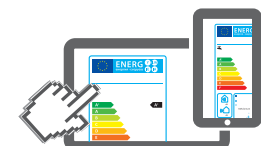


HARD FOAM INSULATION

PATENTED

PUFFERMAS® 3 CTS VB

Model	MACS® module maximum output	HARD FOAM insulation Art. Nr.	SLB heat exchanger model / plates nr.	HEAT EXCHANGERS SURFACE		ENERGY EFFICIENCY CLASS
				Upper [lt]	Lower [m²]	
500		3251162316463		1,3	1,9	C
600		3251162316464		1,3	2,1	C
800	70 kW	3251162316465	SLB20 / 34	1,8	2,5	C
1000		3251162316466		2,5	3,1	C
1500		3251162316467		2,8	3,8	C
1000	120 kW	3251162316468	SLB40/ 40	2,5	3,1	C
1500		3251162316469		2,8	3,8	C



www.cordivari.com/erp

On line ErP label tool

(*Data obtained under the following conditions:

- Primary water at 80°C
- DHW production from 10°C to 45°C.

Model	DHW Station max output (*)	DHW Station max flow rate (*)	Max DHW availability (10-45°C) with storage at 70°C
	[kW]	[l/min]	[litres]
500	70 kW	30	511
600		30	614
800		30	983
1000		30	1100
1500		30	1680
1000	120 kW	50	1503
1500		50	2254

Accessories on request

Thermometer

Art. Nr.
5032240000107
5 units box



Recirculation kit

Art. Nr.
5221000000054
Control display + pump (for D.H.W.)



Buffer tanks connecting kit

Art. Nr.	Connection
5006170001001	1" 1/2
Stainless steel extensible connecting kit - (200 ÷ 400 mm)	

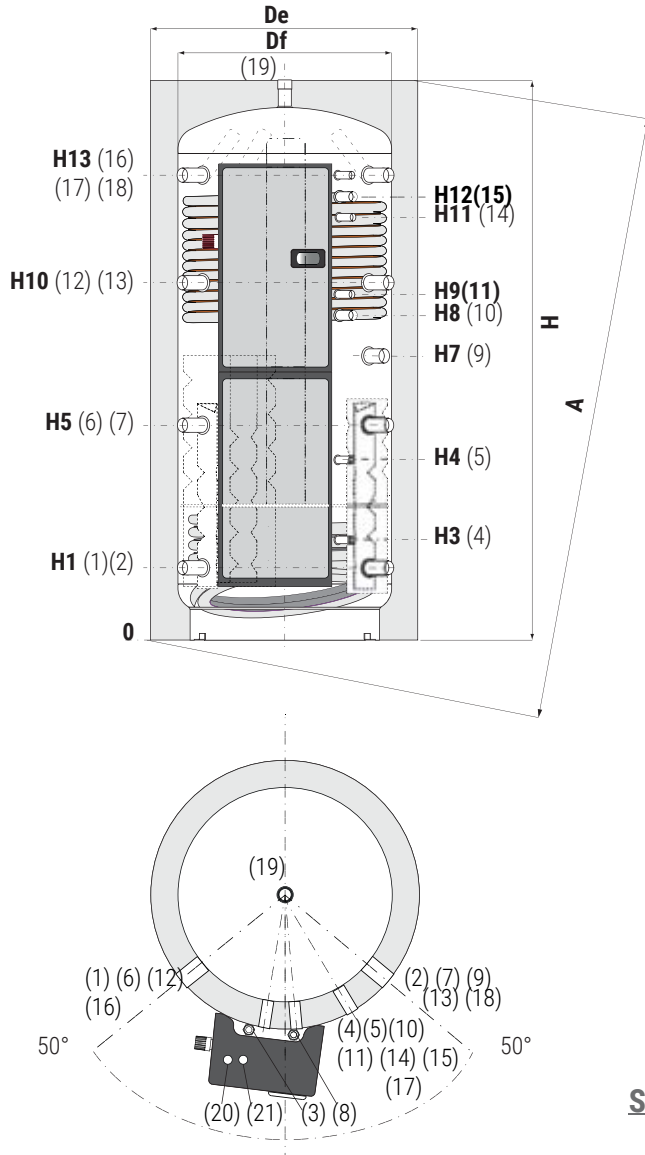
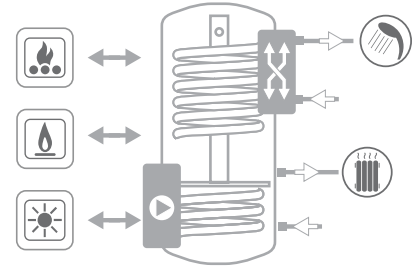


PUFFERMAS® 3 CTS POWER

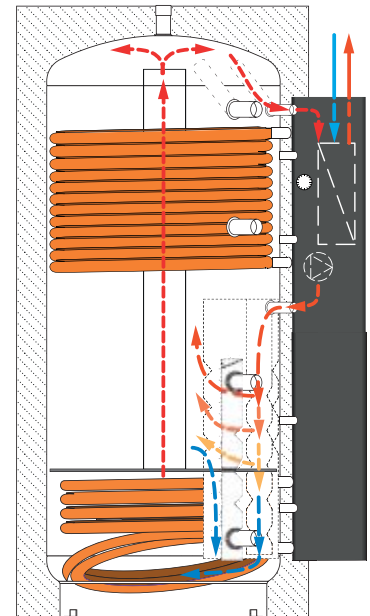
HEATING WATER BUFFER TANK WITH 2 FIXED HEAT EXCHANGERS, INTEGRATED SOLAR CIRCULATION GROUP, MACS® MODULE FOR IMMEDIATE D.H.W. PRODUCTION

STORAGE		FIXED HEAT EXCHANGER		STAINLESS STEEL PLATE HEAT EXCHANGER (MACS®)		D.H.W. HARDNESS
Pmax	Tmax	Pmax	Tmax	Pmax	Tmax	F max
3 bar	99 °C	12 bar	110 °C	6 bar	99 °C	30 °f

CORDIVARI® Lab
TÜV Rheinland Energie und Umwelt GmbH states that test procedures and Cordivari LAB are certified conforming to European standard EN 15332, as indicated by Ecodesign ErP Directive.



1-2-6-7	Heating return/To Generator 1" 1/2 Gas F
3	Lower heat exchanger outlet 1" Gas F
4 - 5	Connection for instrumentation 1/2" Gas F
8	Lower heat exchanger inlet 1" Gas F
9	Electrical immersion 1" 1/2 Gas F
10	Upper heat exchanger outlet 1" Gas F
11	Connection for instrumentation 1/2" Gas F
12-13-16-18	Heating delivery/ Heating return 1" 1/2 Gas F
14 - 17	Connection for instrumentation 1/2" Gas F
15	Upper heat exchanger inlet 1" Gas F
19	Heating delivery/Air purge 1" 1/2 Gas F
20	Domestic cold water circuit inlet 3/4" Gas M (1" Gas M for models 120kW)
21	Domestic hot water circuit outlet 3/4" Gas M (1" Gas M for models 120kW)



SUITABLE FOR THERMAL SOLAR SYSTEMS

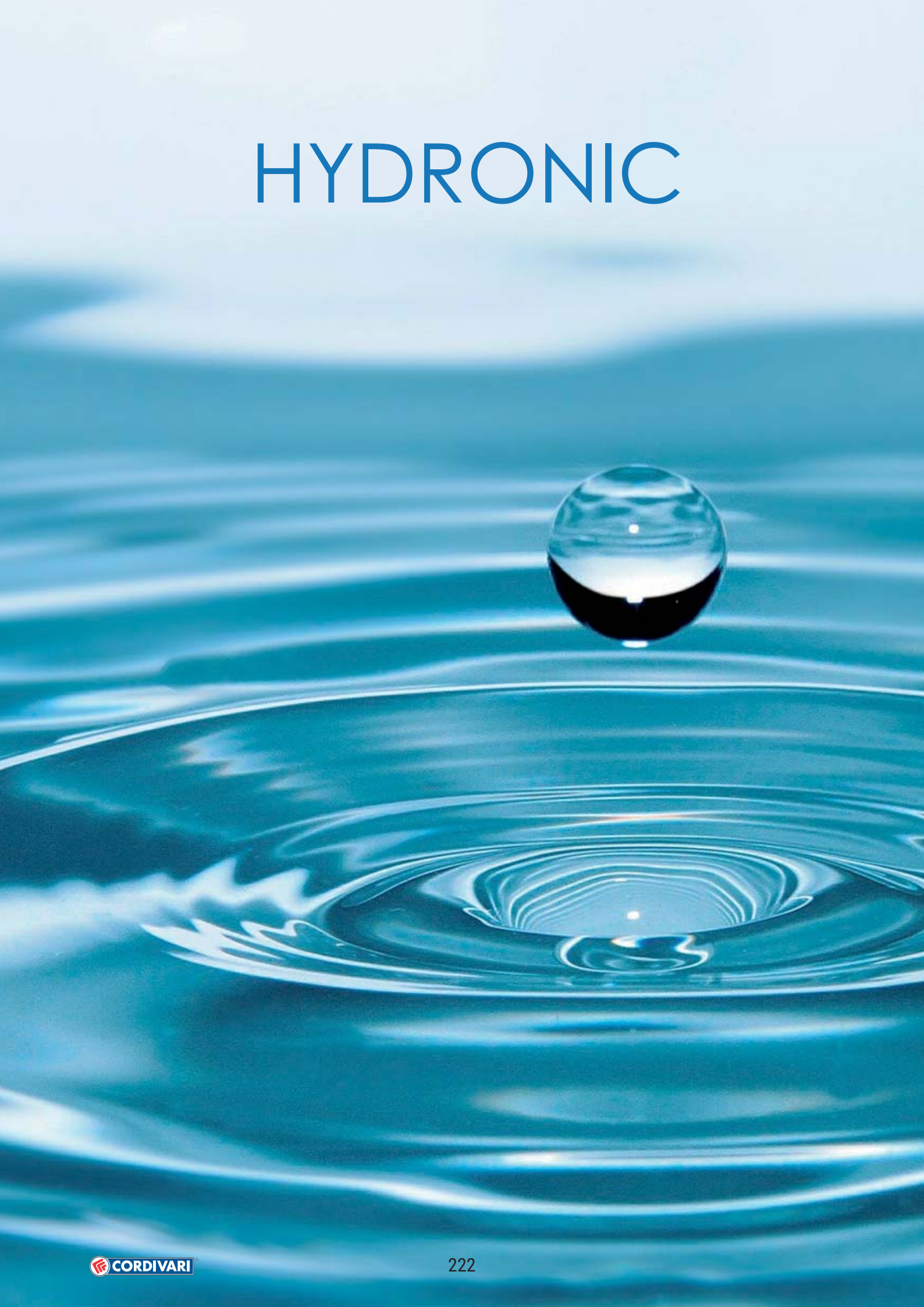
THE ILLUSTRATION UNDERLINES THE STRATIFICATION PROCESS (FROM TOP TO BOTTOM) THAT ALLOWS TO HAVE ALL ENERGY NEEDED RAPIDLY AVAILABLE

Model	Volume [lt]	De	H	A	H1	H2	H3	H4	H5	H6	H7	H8	H9	H10	H11	H12	H13
		[mm]															
500	478	750	1619	1784	247	215	360	533	629	425	870	930	1025	1011	1130	1231	1343
600	560	750	1870	2015	247	215	360	582	695	425	970	1090	1200	1144	1485	1391	1593
800	805	940	1840	2066	265	233	378	584	690	443	918	1003	1115	1115	1442	1347	1541
1000	946	940	2130	2328	265	233	384	656	787	443	1145	1188	1388	1309	1588	1661	1831
1500	1454	1100	2250	2504	313	281	432	736	845	491	1236	1286	1396	1377	1783	1673	1909

P.E.D. product designed and produced in conformity to the article 4.3 of directive 2014/68/UE - ErP Ecodesign directive 2009/125/CE

EXTRA-BOLLY® CALORIFIERS
BOLLYTERM® CALORIFIERS
STAINLESS STEEL CALORIFIERS
CALORIFIERS FOR HEAT PUMP
MULTIFUEL ENERGY CYLINDERS - PUFFER
HYDRONIC
INERTIAL TANKS
WATER PRESSURE TANKS
COMPRESSED AIR RECEIVERS
ACCESSORIES AND SPARE PARTS
TECHNICAL SUPPORT

HYDRONIC





EXTRA-BOLLY®
CALORIFIERS

BOLLYTERM®
CALORIFIERS

STAINLESS STEEL
CALORIFIERS

CALORIFIERS FOR
HEAT PUMP

MULTIFUEL ENERGY
CYLINDERS - PUFFER

HYDRONIC

INERTIAL
TANKS

WATER PRESSURE
TANKS

COMPRESSED AIR
RECEIVERS

ACCESSORIES
AND SPARE PARTS

TECHNICAL
SUPPORT

PLATE HEAT EXCHANGER



Cordivari plate heat exchangers, are offering now an even more complete range of solutions for domestic, residential and commercial applications. A wide and flexible proposal, both for brazed exchangers of small dimensions, or plate-to-plate exchangers for a greater heat exchange. New range of exchangers, thanks to various dimensions and types, to connections from DN32 to DN100, to different and extended working pressure limits, allows to meet any plant requirements or plumbing need. From small single-family house sourced by boiler or pellet stove, to big plants, every installation finds today the most suitable Cordivari solutions

thanks to the new on-line professional dimensioning tool where you can always find the best performing solution and the most

Economical as well.



NEW PHC INSPECTABLE PLATE HEAT EXCHANGERS

PHC heat exchangers are used in all domestic and industrial installations where a fluid exchange is required.

They are suitable for D.H.W production, (instantaneous or with a storage tank), for the heating of swimming pools using different energy sources (traditional gas boiler, biomass, solar thermal systems). PHC heat exchangers can also be applied in district heating installations, in heat recovery systems, for the hydraulic separation of installations.

The new range offers 6 main models that combined with the variability of the plates number, of the gaskets, of the working pressure limits allows to meet any plant requirements or plumbing need.

Being inspectable, the PHC exchangers are recommended for all plants where an efficient but flexible heat exchanger is required, allowing easily maintenance and cleaning.

PHC exchanger are designed for all applications stated on Art. 4.3 of the Pressure Equipment Directive (P.E.D.) 2014/68/UE.



EXTRA-BOLLY®
CALORIFIERS

BOLLYTERM®
CALORIFIERS

STAINLESS STEEL
CALORIFIERS

CALORIFIERS FOR
HEAT PUMP

MULTIFUEL ENERGY
CYLINDERS - PUFFER

HYDRONIC

INERTIAL
TANKS

WATER PRESSURE
TANKS

NEW SLB BRAZED PLATE HEAT EXCHANGERS

New SLB Plate Heat Exchangers provide the most compact and economical solution in all domestic and industrial installations where a heat exchange is required.

The technology is based on the joining by 99% pure copper brazing of multiple 316L stainless steel plates.

The new range offers 4 main models available in insulated or not-insulated version designed to satisfy all possible thermal exchange needs.

SLB Heat Exchangers are designed for D.H.W. production or for heating, refrigeration, evaporation, industrial processing, cooling.



ON-LINE PLATE EXCHANGERS TOOL

ON-LINE SOFTWARE TO SIZE THE
CORDIVARI PLATE EXCHANGERS

A PROFESSIONAL TOOL:
USER FRIENDLY, FAST AND FOR FREE

http://www.cordivari.com/configurator_plate_exchangers

PLATE HEAT EXCHANGERS



WORKING CONDITION

Max pressure	Max temperature
10/16 bar	140 °C (*)

(*) Is intended as maximum working temperature of Gaskets. The maximum operating temperature must be lower between those corresponding to the vapor pressure of 0.5 bar above the pressure in normal atmospheres considered for two circulating fluids. For a use of temperatures above 110 °C please see the TECHNICAL SUPPORT section

APPLICATION

PHC Heat exchangers are used in domestic and industrial installation. In particular they're suitable for production of D.H.W., as well as for heating of swimming pools using different energy sources (traditional boiler, solid fuel, solar thermal system). For domestic application, the PHC are suitable for district heating installation.

MATERIAL

- Frame (not in contact with fluids) in painted mild steel
- Guide for Heat exchanger plates, bolts and screw nuts (not in contact with fluids) in galvanized mild steel
- Nipples and plates (in contact with fluid) in 316L Stainless Steel
- EPDM Gaskets.

TECHNICAL DESCRIPTION

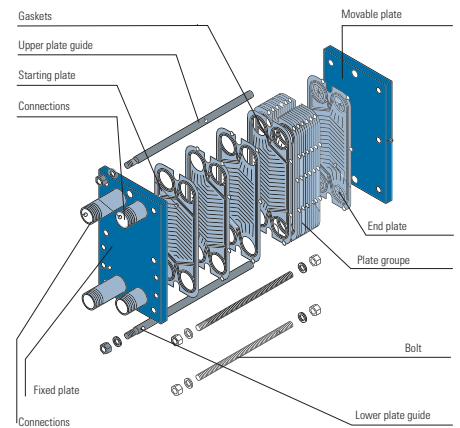
PHC exchangers are inspectionable plate to plate type. Their shape ensures the possibility of opening the exchanger for cleaning. The modular design allows you to change the configuration of the exchanger even after a period of use (within certain limits).

PHC exchangers are designed for the use stated on Art. 3.3 of PED 97/23/CE. In particular, they are intended to be used with non-dangerous liquids with steam pressure at maximum operating temperature not exceeding 0.5 bar above normal atmospheric pressure. Every Exchanger has serial number label and end-user manual.

CHEMICAL COMPATIBILITY

Material used for PHC Exchangers are suitable for following liquids:

- Water • WATER POOL • Milk • Whisky • Acetone • Glycole • Glycoled Water • Mineral Water • Wine • Wine Vinegar • Etanol • Etilenic Glycole • De-mineralized Water • Acetic Acid • Beer • Liquors • Methanol • Propylenic Glycol

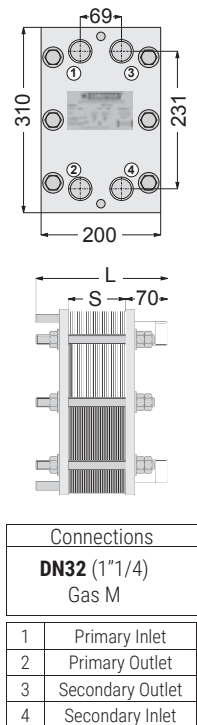


EXCHANGERS PHC 3120 - DN32

(PN16 VERSION ON REQUEST)

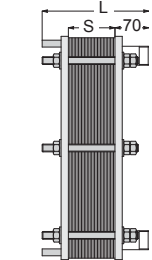
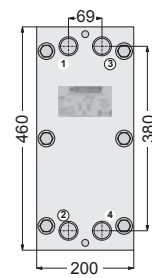


N° of plates	With EPDM gaskets PN10 VERSION		PN16 VERSION	With NBR gaskets PN10 VERSION		PN16 VERSION	S Fixing quote	L	Primary Vol. = Secondary Vol.	
	Art. Nr.			Art. Nr.					[mm]	[mm]
9	3175056654151			3175056654121			27		0,20	
11	3175056654152			3175056654122			33		0,25	
13	3175056654153			3175056654123			39		0,30	
15	3175056654154			3175056654124			45		0,35	
17	3175056654155			3175056654125			51		0,40	
19	3175056654156			3175056654126			57		0,45	
21	3175056654157		WITH	3175056654127		WITH	63	220	0,50	
23	3175056654158		SURCHARGE	3175056654128		SURCHARGE	69		0,55	
25	3175056654159			3175056654129			75		0,60	
27	3175056654160			3175056654130			81		0,65	
29	3175056654161			3175056654131			87		0,70	
31	3175056654162			3175056654132			93		0,75	
33	3175056654163			3175056654133			99		0,80	
35	3175056654164			3175056654134			105		0,85	
37	3175056654165			3175056654135			111		0,90	
39	3175056654166			3175056654136			117		0,95	
41	3175056654167			3175056654137			123		1,00	
43	3175056654168			3175056654138			129		1,05	
45	3175056654169			3175056654139			135		1,10	
47	3175056654170			3175056654140			141		1,15	
49	3175056654171		WITH	3175056654141		WITH	147	370	1,20	
51	3175056654172		SURCHARGE	3175056654142		SURCHARGE	153		1,25	
53	3175056654173			3175056654143			159		1,30	
55	3175056654174			3175056654144			165		1,35	
57	3175056654175			3175056654145			171		1,40	
59	3175056654176			3175056654146			177		1,45	
61	3175056654177			3175056654147			183		1,50	
63	3175056654178			3175056654148			189		1,55	
65	3175056654179			3175056654149			195		1,60	
67	3175056654180			3175056654150			201		1,65	



EXCHANGERS PHC 4620 - DN32

(PN16 VERSION ON REQUEST)



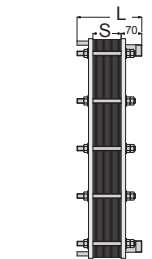
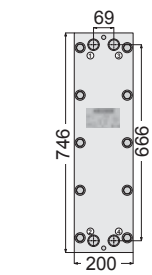
Connections	
DN32 (1"1/4)	
Gas M	

1	Primary Inlet
2	Primary Outlet
3	Secondary Outlet
4	Secondary Inlet

N° of plates	With EPDM gaskets PN10 VERSION		PN16 VERSION	With NBR gaskets PN10 VERSION		PN16 VERSION	S Fixing quote		L	Primary Vol. = Secondary Vol.	
	Art. Nr.			Art. Nr.			[mm]	[mm]		[lt]	
9	3175056654271			3175056654241			27	220		0,36	
11	3175056654272			3175056654242			33			0,45	
13	3175056654273			3175056654243			39			0,54	
15	3175056654274			3175056654244			45			0,63	
17	3175056654275			3175056654245			51			0,72	
19	3175056654276			3175056654246			57			0,81	
21	3175056654277			3175056654247			63			0,90	
23	3175056654278			3175056654248			69			0,99	
25	3175056654279			3175056654249			75			1,08	
27	3175056654280			3175056654250			81			1,17	
29	3175056654281			3175056654251			87			1,26	
31	3175056654282			3175056654252			93			1,35	
33	3175056654283			3175056654253			99			1,44	
35	3175056654284			3175056654254			105			1,53	
37	3175056654285			3175056654255			111			1,62	
39	3175056654286			3175056654256			117			1,71	
41	3175056654287			3175056654257			123			1,80	
43	3175056654288			3175056654258			129			1,89	
45	3175056654289			3175056654259			135			1,98	
47	3175056654290			3175056654260			141			2,07	
49	3175056654291			3175056654261			147			2,16	
51	3175056654292			3175056654262			153			2,25	
53	3175056654293			3175056654263			159			2,34	
55	3175056654294			3175056654264			165			2,43	
57	3175056654295			3175056654265			171			2,52	
59	3175056654296			3175056654266			177			2,61	
61	3175056654297			3175056654267			183			2,70	
63	3175056654298			3175056654268			189			2,79	
65	3175056654299			3175056654269			195			2,88	
67	3175056654300			3175056654270			201			2,97	

EXCHANGERS PHC 7420 - DN32

(PN16 VERSION ON REQUEST)



Connections	
DN32 (1"1/4)	

1	Primary Inlet
2	Primary Outlet
3	Secondary Outlet
4	Secondary Inlet

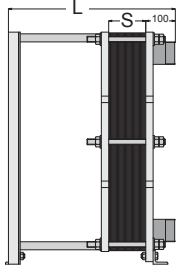
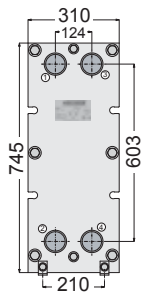
N° of plates	With EPDM gaskets PN10 VERSION		PN16 VERSION	With NBR gaskets PN10 VERSION		PN16 VERSION	S Fixing quote		L	Primary Vol. = Secondary Vol.	
	Art. Nr.			Art. Nr.			[mm]	[mm]		[lt]	
9	3175056654391			3175056654361			27	220		0,68	
11	3175056654392			3175056654362			33			0,85	
13	3175056654393			3175056654363			39			1,02	
15	3175056654394			3175056654364			45			1,19	
17	3175056654395			3175056654365			51			1,36	
19	3175056654396			3175056654366			57			1,53	
21	3175056654397			3175056654367			63			1,70	
23	3175056654398			3175056654368			69			1,87	
25	3175056654399			3175056654369			75			2,04	
27	3175056654400			3175056654370			81			2,21	
29	3175056654401			3175056654371			87			2,38	
31	3175056654402			3175056654372			93			2,55	
33	3175056654403			3175056654373			99			2,72	
35	3175056654404			3175056654374			105			2,89	
37	3175056654405			3175056654375			111			3,06	
39	3175056654406			3175056654376			117			3,23	
41	3175056654407			3175056654377			123			3,40	
43	3175056654408			3175056654378			129			3,57	
45	3175056654409			3175056654379			135			3,74	
47	3175056654410			3175056654380			141			3,91	
49	3175056654411			3175056654381			147			4,08	
51	3175056654412			3175056654382			153			4,25	
53	3175056654413			3175056654383			159			4,42	
55	3175056654414			3175056654384			165			4,59	
57	3175056654415			3175056654385			171			4,76	
59	3175056654416			3175056654386			177			4,93	
61	3175056654417			3175056654387			183			5,10	
63	3175056654418			3175056654388			189			5,27	
65	3175056654419			3175056654389			195			5,44	
67	3175056654420			3175056654390			201			5,61	

EXTRA-BOLLY® CALORIFIERS
BOLLYTERM® CALORIFIERS
STAINLESS STEEL CALORIFIERS
CALORIFIERS FOR HEAT PUMP
MULTIFUEL ENERGY CYLINDERS - PUFFER
HYDRONIC
INERTIAL TANKS
WATER PRESSURE TANKS
COMPRESSED AIR RECEIVERS
ACCESSORIES AND SPARE PARTS
TECHNICAL SUPPORT

EXCHANGERS PHC 7431 - DN65



per versione pn16 Art. Nr. a richiesta)



Connections	
DN65 2"1/2	
1	Primary Inlet
2	Primary Outlet
3	Secondary Outlet
4	Secondary Inlet

N° of plates

With EPDM gaskets PN10 VERSION

PN16
VERSION

With NBR gaskets PN10 VERSION

PN16
VERSION

N° of plates	Art. Nr.	WITH SURCHARGE	Art. Nr.	WITH SURCHARGE	S Fixing quote	L		Primary Vol. = Secondary Vol.
						[mm]	[mm]	
13	3175056654533		3175056654481		44	405	2,16	
15	3175056654534		3175056654482		51		2,52	
17	3175056654535		3175056654483		58		2,88	
19	3175056654536		3175056654484		65		3,24	
21	3175056654537		3175056654485		71		3,60	
23	3175056654538		3175056654486		78		3,96	
25	3175056654539		3175056654487		85		4,32	
27	3175056654540		3175056654488		92		4,68	
29	3175056654541		3175056654489		99		5,04	
31	3175056654542		3175056654490		105		5,40	
33	3175056654543		3175056654491		112	5,76		
35	3175056654544		3175056654492		119	6,12		
37	3175056654545		3175056654493		126	6,48		
39	3175056654546		3175056654494		133	6,84		
41	3175056654547		3175056654495		139	7,20		
43	3175056654548		3175056654496		146	7,56		
45	3175056654549		3175056654497		153	7,92		
47	3175056654550		3175056654498		160	8,28		
49	3175056654551		3175056654499		167	8,64		
51	3175056654552		3175056654500		173	9,00		
53	3175056654553		3175056654501		180	9,36		
55	3175056654554		3175056654502		187	9,72		
57	3175056654555		3175056654503		194	10,08		
59	3175056654556		3175056654504		201	10,44		
61	3175056654557		3175056654505		207	10,80		
63	3175056654558		3175056654506		214	11,16		
65	3175056654559		3175056654507		221	11,52		
67	3175056654560		3175056654508		228	11,88		
69	3175056654561		3175056654509		235	12,24		
71	3175056654562		3175056654510		241	12,60		
73	3175056654563		3175056654511		248	12,96		
75	3175056654564		3175056654512		255	13,32		
77	3175056654565		3175056654513		262	13,68		
79	3175056654566		3175056654514		269	14,04		
81	3175056654567		3175056654515		275	14,40		
83	3175056654568		3175056654516		282	14,76		
85	3175056654569		3175056654517		289	15,12		
87	3175056654570		3175056654518		296	15,48		
89	3175056654571		3175056654519		303	15,84		
91	3175056654572		3175056654520		309	16,20		
93	3175056654573		3175056654521		316	16,56		
95	3175056654574		3175056654522		323	16,92		
97	3175056654575		3175056654523		330	17,28		
99	3175056654576		3175056654524		337	17,64		
101	3175056654577		3175056654525		343	18,00		
103	3175056654578		3175056654526		350	18,36		
105	3175056654579		3175056654527		357	18,72		
107	3175056654580		3175056654528		364	19,08		
109	3175056654581		3175056654529		371	19,44		
111	3175056654582		3175056654530		377	19,80		
113	3175056654583		3175056654531		384	20,16		
115	3175056654584		3175056654532		391	20,52		

EXCHANGERS PHC 8031 - DN50

(PN16 VERSION ON REQUEST)



EXTRA-BOLLY®
CALORIFIERS

BOLLYTERM®
CALORIFIERS

STAINLESS STEEL
CALORIFIERS

CALORIFIERS FOR
HEAT PUMP

MULTIFUEL ENERGY
CYLINDERS - PUFFER

HYDRONIC

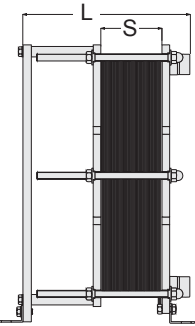
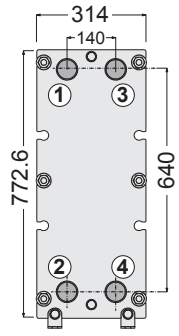
INERTIAL
TANKS

WATER PRESSURE
TANKS

COMPRESSED AIR
RECEIVERS

ACCESSORIES
AND SPARE PARTS

TECHNICAL
SUPPORT

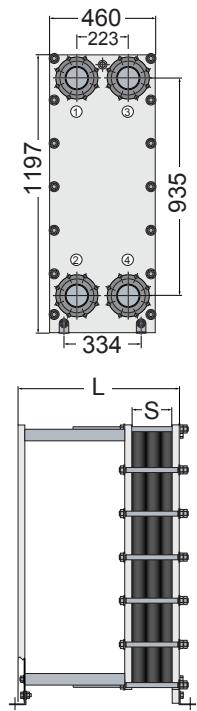


Connections	
DN50 (2")	
1	Primary Inlet
2	Primary Outlet
3	Secondary Outlet
4	Secondary Inlet

N° of plates	With EPDM gaskets PN10 VERSION		With NBR gaskets PN10 VERSION		S Fixing quote	L	Primary Vol. = Secondary Vol.		
	Art. Nr.	PN16 VERSION	Art. Nr.	PN16 VERSION			[mm]	[mm]	[lt]
13	3175056654741		3175056654689		46	405		2,28	
15	3175056654742		3175056654690		53			2,66	
17	3175056654743		3175056654691		60			3,04	
19	3175056654744		3175056654692		67			3,42	
21	3175056654745		3175056654693		74			3,80	
23	3175056654746		3175056654694		81			4,18	
25	3175056654747		3175056654695		88			4,56	
27	3175056654748		3175056654696		95			4,94	
29	3175056654749		3175056654697		102			5,32	
31	3175056654750		3175056654698		109			5,70	
33	3175056654751	WITH SURCHARGE	3175056654699	WITH SURCHARGE	116		6,08		
35	3175056654752		3175056654700		123		6,46		
37	3175056654753		3175056654701		130	505	6,84		
39	3175056654754		3175056654702		137			7,22	
41	3175056654755		3175056654703		144			7,60	
43	3175056654756		3175056654704		151			7,98	
45	3175056654757		3175056654705		158			8,36	
47	3175056654758		3175056654706		165		605	8,74	
49	3175056654759		3175056654707		172				9,12
51	3175056654760		3175056654708		179				9,50
53	3175056654761		3175056654709		186				9,88
55	3175056654762		3175056654710		193				10,26
57	3175056654763		3175056654711		200			10,64	
59	3175056654764		3175056654712		207			11,02	
61	3175056654765		3175056654713		214			11,40	
63	3175056654766		3175056654714		221			11,78	
65	3175056654767		3175056654715		228			12,16	
67	3175056654768		3175056654716		235		12,54		
69	3175056654769		3175056654717		242		12,92		
71	3175056654770		3175056654718		249		13,30		
73	3175056654771		3175056654719		256		13,68		
75	3175056654772		3175056654720		263		14,06		
77	3175056654773		3175056654721		270		14,44		
79	3175056654774		3175056654722		277		14,82		
81	3175056654775		3175056654723		284		15,20		
83	3175056654776	WITH SURCHARGE	3175056654724	WITH SURCHARGE	291	855	15,58		
85	3175056654777		3175056654725		298			15,96	
87	3175056654778		3175056654726		305			16,34	
89	3175056654779		3175056654727		312			16,72	
91	3175056654780		3175056654728		319			17,10	
93	3175056654781		3175056654729		326			17,48	
95	3175056654782		3175056654730		333			17,86	
97	3175056654783		3175056654731		340			18,24	
99	3175056654784		3175056654732		347			18,62	
101	3175056654785		3175056654733		354			19,00	
103	3175056654786		3175056654734		361		19,38		
105	3175056654787		3175056654735		368		19,76		
107	3175056654788		3175056654736		375		20,14		
109	3175056654789		3175056654737		382		20,52		
111	3175056654790		3175056654738		389		20,90		
113	3175056654791		3175056654739		396		21,28		
115	3175056654792		3175056654740		403		21,66		

EXCHANGERS PHC 12046 - DN100

(PN16 VERSION ON REQUEST)



CONNECTIONS	
DN100 PN16 FLANGED	
1	Primary Inlet
2	Primary Outlet
3	Secondary Outlet
4	Secondary Inlet

N° of plates	With EPDM gaskets PN10 VERSION		With NBR gaskets PN10 VERSION		S Fixing quote	L	Primary Vol. = Secondary Vol.	
	Art. Nr.	PN16 VERSION	Art. Nr.	PN16 VERSION			[mm]	[mm]
13	3175056654949		3175056654897		40	550	5,07	
15	3175056654950		3175056654898		47		5,92	
17	3175056654951		3175056654899		53		6,76	
19	3175056654952		3175056654900		59		7,61	
21	3175056654953		3175056654901		65		8,45	
23	3175056654954		3175056654902		71		9,30	
25	3175056654955		3175056654903		78		10,14	
27	3175056654956		3175056654904		84		10,99	
29	3175056654957		3175056654905		90		11,83	
31	3175056654958		3175056654906		96		12,68	
33	3175056654959		3175056654907		102		13,52	
35	3175056654960		3175056654908		109		14,37	
37	3175056654961		3175056654909		115		15,21	
39	3175056654962		3175056654910		121		16,06	
41	3175056654963	WITH SURCHARGE	3175056654911	WITH SURCHARGE	127	16,90		
43	3175056654964		3175056654912		133	17,75		
45	3175056654965		3175056654913		140	18,59		
47	3175056654966		3175056654914		146	19,44		
49	3175056654967		3175056654915		152	20,28		
51	3175056654968		3175056654916		158	21,13		
53	3175056654969		3175056654917		164	21,97		
55	3175056654970		3175056654918		171	22,82		
57	3175056654971		3175056654919		177	23,66		
59	3175056654972		3175056654920		183	24,51		
61	3175056654973		3175056654921		189	25,35		
63	3175056654974		3175056654922		195	26,20		
65	3175056654975		3175056654923		202	27,04		
67	3175056654976		3175056654924		208	27,89		
69	3175056654977		3175056654925		214	28,73		
71	3175056654978		3175056654926		220	29,58		
73	3175056654979		3175056654927		226	30,42		
75	3175056654980		3175056654928		233	31,27		
77	3175056654981		3175056654929		239	32,11		
79	3175056654982		3175056654930		245	32,96		
81	3175056654983		3175056654931		251	33,80		
83	3175056654984		3175056654932		257	34,65		
85	3175056654985		3175056654933		264	35,49		
87	3175056654986		3175056654934		270	36,34		
89	3175056654987		3175056654935		276	37,18		
91	3175056654988		3175056654936		282	38,03		
93	3175056654989	WITH SURCHARGE	3175056654937	WITH SURCHARGE	288	38,87		
95	3175056654990		3175056654938		295	39,72		
97	3175056654991		3175056654939		301	40,56		
99	3175056654992		3175056654940		307	41,41		
101	3175056654993		3175056654941		313	42,25		
103	3175056654994		3175056654942		319	43,10		
105	3175056654995		3175056654943		326	43,94		
107	3175056654996		3175056654944		332	44,79		
109	3175056654997		3175056654945		338	45,63		
111	3175056654998		3175056654946		344	46,48		
113	3175056654999		3175056654947		350	47,32		
115	3175056655000		3175056654948		357	48,17		

ON-LINE PLATE EXCHANGERS TOOL

ON-LINE SOFTWARE TO SIZE THE CORDIVARI PLATE EXCHANGERS

EXTRA-BOLLY®
CALORIFIERS

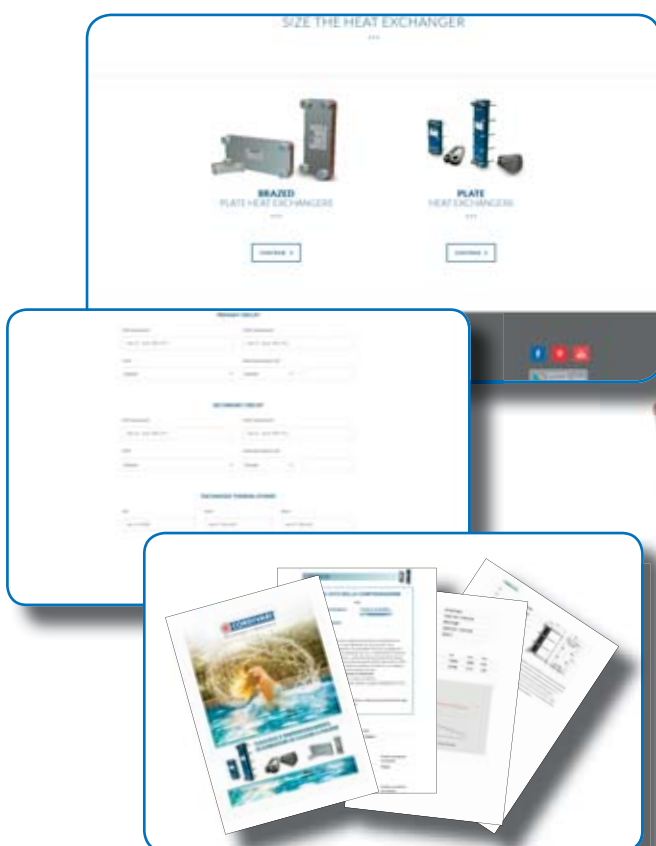
A professional
tool:
User friendly, fast
and for free

www.cordivari.com/configurator_plate_exchangers

DO YOUR CORDIVARI PLATE EXCHANGER SIZING

Few clicks and you'll get your tailored product everywhere and free of charge. You can download your report, or save it on your log in area at www.cordivari.com.

Try it now!



MULTIFUEL
CYLINDERS

HYDRONIC

INERTIAL
TANKS

WATER PRESSURE
TANKS

COMPRESSED AIR
RECEIVERS

ACCESSORIES
AND SPARE PARTS

BRAZED PLATE EXCHANGERS SLB 15



TECHNICAL DESCRIPTION

New brazed Plate Exchangers SLB Cordivari, provides the most compact and economical solution suitable for many applications.

The SLB plate exchangers are designed for different needs in heating, refrigeration, evaporation, industrial processing, cooling.

MAIN ADVANTAGES:

- High Efficiency
- Long lasting
- Savings
- High reliability
- Huge possibility to modify the relation between storage volume and Heat exchange.

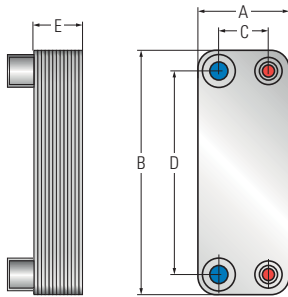
TECHNICAL CHARACTERISTIC :

AISI 316 L Stainless steel brazed plate, braze-welded with 99,99% pure copper

WORKING CONDITION

Max pressure	Max temperature
10 bar	190 °C (*)

(*) For temperature above 110°C, see technical support



CONNECTIONS	Max. Flow Rate
3/4" M	[m³/h]
A	74
B	207
C	42
D	172

N° of plates	NOT INSULATED VERSION
	Art. Nr.
10	5250410010008
20	5250410010009
30	5250410010010
40	5250410010011



PERFORMANCE DATA (PRIMARY AND SECONDARY FLUID, WATER, PRESSURE LOSS < 50 KPA)

N° of plates	Thermal output exchanged	Primary 80/70 °C	Secondary 60/70 °C
		Primary flow rate	Secondary flow rate
	[kW]	[m³/h]	[m³/h]
10	5	0,442	0,440
20	15	1,326	1,320
30	24	2,121	2,112
40	32	2,828	2,816

N° of plates	Thermal output exchanged	Primary 80/65 °C	Secondary 60/70 °C
		Primary flow rate	Secondary flow rate
	[kW]	[m³/h]	[m³/h]
10	1,5	0,088	0,132
20	4	0,235	0,352
30	7	0,412	0,616
40	10	0,588	0,880

N° of plates	Thermal output exchanged	Primary 80/65 °C	Secondary 55/70 °C
		Primary flow rate	Secondary flow rate
	[kW]	[m³/h]	[m³/h]
10	3	0,177	0,176
20	7	0,412	0,410
30	12	0,706	0,703
40	17	1,000	0,996

N° of plates	Thermal output exchanged	Primary 80/65 °C	Secondary 10/60 °C
		Primary flow rate	Secondary flow rate
	[kW]	[m³/h]	[m³/h]
10	21	1,236	0,364
20	45	2,648	0,781
30	60	3,531	1,041
40	71	4,178	1,232

N° of plates	Thermal output exchanged	Primary 80/60 °C	Secondary 10/50 °C
		Primary flow rate	Secondary flow rate
	[kW]	[m³/h]	[m³/h]
10	28	1,235	0,606
20	58	2,557	1,255
30	80	3,527	1,731
40	95	4,189	2,056

N° of plates	Thermal output exchanged	Primary 70/60 °C	Secondary 10/50 °C
		Primary flow rate	Secondary flow rate
	[kW]	[m³/h]	[m³/h]
10	16	1,408	0,346
20	30	2,640	0,649
30	40	3,521	0,866
40	47	4,137	1,017

N° of plates	Thermal output exchanged	Primary 65/50 °C	Secondary 10/50 °C
		Primary flow rate	Secondary flow rate
	[kW]	[m³/h]	[m³/h]
10	10	0,585	0,216
20	24	1,403	0,519
30	38	2,221	0,822
40	55	3,215	1,190

N° of plates	Thermal output exchanged	Primary 60/40 °C	Secondary 10/50 °C
		Primary flow rate	Secondary flow rate
	[kW]	[m³/h]	[m³/h]
10	10	0,585	0,216
20	24	1,403	0,519
30	38	2,221	0,822
40	55	3,215	1,190

BRAZED PLATE EXCHANGERS SLB 20



TECHNICAL DESCRIPTION

New brazed Plate Exchangers SLB Cordivari, provides the most compact and economical solution suitable for many applications.

The SLB plate exchangers are designed for different needs in heating, refrigeration, evaporation, industrial processing, cooling.

MAIN ADVANTAGES:

- High Efficiency
- Long lasting
- Savings
- High reliability
- Huge possibility to modify the relation between storage volume and Heat exchange.

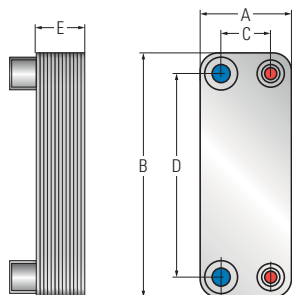
TECHNICAL CHARACTERISTIC :

- AISI 316 L Stainless steel brazed plate, braze-welded with 99,99% pure copper
- High efficiency PPE insulation (**INSULATED VERSION**)

WORKING CONDITION

Max pressure	Max temperature
10 bar	190 °C (*)

(*) For temperature above 110°C, see technical support



Connections 3/4" M	Max. Flow Rate
[mm]	[m³/h]
A 73	3,6
B 311	
C 40	
D 278	

N° of plates	NOT INSULATED VERSION	INSULATED VERSION	E [mm]	Weight [Kg]
	Art. Nr.	Art. Nr.		
12	5250410010001	5250410011001	37	1,10
16	5250410010002	5250410011002	46	1,13
20	5250410010003	5250410011003	55	1,16
24	5250410010004	5250410011004	64	1,19
30	5250410010005	5250410011005	78	1,24
34	5250410010006	5250410011006	87	1,27
40	5250410010007	5250410011007	101	1,32



PERFORMANCE DATA (PRIMARY AND SECONDARY FLUID, WATER, PRESSURE LOSS < 50 KPA)

N° of plates	Primary 80/70 °C		Secondary 60/70 °C
	Thermal output exchanged [kW]	Primary flow rate [m³/h]	Secondary flow rate [m³/h]
12	10	0,884	0,880
16	16	1,414	1,408
20	20	1,768	1,760
24	24	2,121	2,112
30	30	2,651	2,640
34	33	2,916	2,904
40	37	3,270	3,257

N° of plates	Primary 80/65 °C		Secondary 60/70 °C
	Thermal output exchanged [kW]	Primary flow rate [m³/h]	Secondary flow rate [m³/h]
12	11	0,647	0,968
16	16	0,941	1,408
20	20	1,177	1,760
24	24	1,412	2,112
30	30	1,765	2,640
34	34	2,001	2,992
40	37	2,177	3,257

N° of plates	Primary 80/65 °C		Secondary 55/70 °C
	Thermal output exchanged [kW]	Primary flow rate [m³/h]	Secondary flow rate [m³/h]
12	16	0,941	0,938
16	24	1,412	1,406
20	30	1,765	1,758
24	36	2,118	2,110
30	45	2,648	2,637
34	50	2,942	2,930
40	55	3,236	3,223

N° of plates	Primary 80/65 °C		Secondary 10/60 °C
	Thermal output exchanged [kW]	Primary flow rate [m³/h]	Secondary flow rate [m³/h]
12	24	1,412	0,417
16	35	2,059	0,607
20	45	2,648	0,781
24	52	3,060	0,902
30	60	3,531	1,041
34	65	3,825	1,128
40	71	4,178	1,232

N° of plates	Primary 80/60 °C		Secondary 10/50 °C
	Thermal output exchanged [kW]	Primary flow rate [m³/h]	Secondary flow rate [m³/h]
12	28	1,235	0,606
16	38	1,676	0,822
20	46	2,028	0,996
24	52	2,293	1,125
30	62	2,734	1,342
34	66	2,910	1,428
40	71	3,131	1,537

N° of plates	Primary 70/60 °C		Secondary 10/50 °C
	Thermal output exchanged [kW]	Primary flow rate [m³/h]	Secondary flow rate [m³/h]
12	18	1,584	0,390
16	24	2,112	0,519
20	30	2,640	0,649
24	35	3,080	0,757
30	40	3,521	0,866
34	44	3,873	0,952
40	47	4,137	1,017

N° of plates	Primary 65/50 °C		Secondary 10/50 °C
	Thermal output exchanged [kW]	Primary flow rate [m³/h]	Secondary flow rate [m³/h]
12	13	0,760	0,281
16	18	1,052	0,390
20	24	1,403	0,519
24	30	1,754	0,649
30	38	2,221	0,822
34	44	2,572	0,952
40	54	3,157	1,169

N° of plates	Primary 60/40 °C		Secondary 10/50 °C
	Thermal output exchanged [kW]	Primary flow rate [m³/h]	Secondary flow rate [m³/h]
12	4	0,175	0,087
16	6	0,262	0,130
20	8	0,350	0,173
24	10	0,437	0,216
30	12	0,524	0,260
34	14	0,612	0,303
40	17	0,743	0,368

EXTRA-BOLLY® CALORIFIERS
 BOLLYTERM® CALORIFIERS
 STAINLESS STEEL CALORIFIERS
 CALORIFIERS FOR HEAT PUMP
 MULTIFUEL ENERGY CYLINDERS - PUFFER
 HYDRONIC
 INERTIAL TANKS
 WATER PRESSURE TANKS
 COMPRESSED AIR RECEIVERS
 ACCESSORIES AND SPARE PARTS
 TECHNICAL SUPPORT

BRAZED PLATE EXCHANGERS SLB 30



TECHNICAL DESCRIPTION

New brazed Plate Exchangers SLB Cordivari, provides the most compact and economical solution suitable for many applications.

The SLB plate exchangers are designed for different needs in heating, refrigeration, evaporation, industrial processing, cooling.

MAIN ADVANTAGES:

- High Efficiency
- Long lasting
- Savings
- High reliability
- Huge possibility to modify the relation between storage volume and Heat exchange.

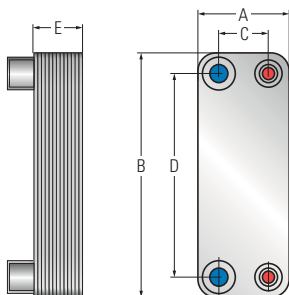
TECHNICAL CHARACTERISTIC :

- AISI 316 L Stainless steel brazed plate, braze-welded with 99,99% pure copper
- High efficiency PPE insulation (**INSULATED VERSION**)

WORKING CONDITION

Max pressure	Max temperature
10 bar	190 °C (*)

(*) For temperature above 110°C, see technical support



Connections 1" M	Max. Flow Rate
[mm]	[m³/h]
A 106	8,1
B 306	
C 50	
D 250	

N° of plates	NOT INSULATED VERSION	INSULATED VERSION	E [mm]	Weight [Kg]
	Art. Nr.	Art. Nr.		
14	5250410010101	5250410011101	43	2,98
20	5250410010102	5250410011102	57	3,70
30	5250410010103	5250410011103	81	4,90
40	5250410010104	5250410011104	104	6,10
50	5250410010105	5250410011105	128	7,30



PERFORMANCE DATA (PRIMARY AND SECONDARY FLUID, WATER, PRESSURE LOSS < 50 KPA)

N° of plates	Primary 80/70 °C		Secondary 60/70 °C
	Thermal output exchanged [kW]	Primary flow rate [m³/h]	Secondary flow rate [m³/h]
14	23	2,033	2,024
20	33	2,916	2,904
30	50	4,419	4,401
40	68	6,010	5,985
50	83	7,335	7,305

N° of plates	Primary 80/65 °C		Secondary 60/70 °C
	Thermal output exchanged [kW]	Primary flow rate [m³/h]	Secondary flow rate [m³/h]
14	12	0,706	1,056
20	18	1,059	1,584
30	30	1,765	2,640
40	41	2,413	3,609
50	52	3,060	4,577

N° of plates	Primary 80/65 °C		Secondary 55/70 °C
	Thermal output exchanged [kW]	Primary flow rate [m³/h]	Secondary flow rate [m³/h]
14	18	1,059	1,055
20	30	1,765	1,758
30	48	2,824	2,813
40	65	3,825	3,809
50	80	4,707	4,688

N° of plates	Primary 80/65 °C		Secondary 10/60 °C
	Thermal output exchanged [kW]	Primary flow rate [m³/h]	Secondary flow rate [m³/h]
14	38	2,236	0,660
20	50	2,942	0,868
30	80	4,707	1,388
40	105	6,178	1,822
50	130	7,649	2,256

N° of plates	Primary 80/60 °C		Secondary 10/50 °C
	Thermal output exchanged [kW]	Primary flow rate [m³/h]	Secondary flow rate [m³/h]
14	50	2,205	1,082
20	75	3,307	1,623
30	110	4,850	2,381
40	145	6,393	3,138
50	170	7,496	3,679

N° of plates	Primary 70/60 °C		Secondary 10/50 °C
	Thermal output exchanged [kW]	Primary flow rate [m³/h]	Secondary flow rate [m³/h]
14	24	2,112	0,519
20	36	3,169	0,779
30	55	4,841	1,190
40	72	6,337	1,558
50	85	7,481	1,840

N° of plates	Primary 65/50 °C		Secondary 10/50 °C
	Thermal output exchanged [kW]	Primary flow rate [m³/h]	Secondary flow rate [m³/h]
14	40	2,338	0,866
20	65	3,800	1,407
30	82	4,794	1,775
40	105	6,138	2,272
50	130	7,599	2,813

N° of plates	Primary 60/40 °C		Secondary 10/50 °C
	Thermal output exchanged [kW]	Primary flow rate [m³/h]	Secondary flow rate [m³/h]
14	22	0,962	0,476
20	35	1,530	0,757
30	55	2,404	1,190
40	78	3,409	1,688
50	100	4,371	2,164

BRAZED PLATE EXCHANGERS SLB 40



TECHNICAL DESCRIPTION

New brazed Plate Exchangers SLB Cordivari, provides the most compact and economical solution suitable for many applications.

The SLB plate exchangers are designed for different needs in heating, refrigeration, evaporation, industrial processing, cooling.

MAIN ADVANTAGES:

- High Efficiency
- Long lasting
- Savings
- High reliability
- Huge possibility to modify the relation between storage volume and Heat exchange.

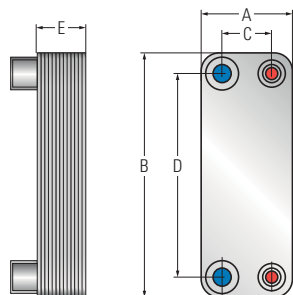
TECHNICAL CHARACTERISTIC :

- AISI 316 L Stainless steel brazed plate, braze-welded with 99,99% pure copper
- High efficiency PPE insulation (**INSULATED VERSION**)

WORKING CONDITION

Max pressure	Max temperature
10 bar	190 °C (*)

(*) For temperature above 110°C, see technical support



Connections 1" M	Max. Flow Rate
[mm]	[m³/h]
A	12,7
B	
C	
D	

N° of plates	NOT INSULATED VERSION	INSULATED VERSION	E	Weight
	Art. Nr.	Art. Nr.		
30	5250410010201	5250410011201	81	8,3
40	5250410010202	5250410011202	104	10,2
50	5250410010203	5250410011203	128	12,1
60	5250410010204	5250410011204	151	14



PERFORMANCE DATA (PRIMARY AND SECONDARY FLUID, WATER, PRESSURE LOSS < 50 KPA)

N° of plates	Primary 80/70 °C		Secondary 60/70 °C	
	Thermal output exchanged [kW]	Primary flow rate [m³/h]	Secondary flow rate [m³/h]	
30	43	3,800	3,785	
40	57	5,037	5,017	
50	71	6,275	6,249	
60	83	7,335	7,305	

N° of plates	Primary 80/65 °C		Secondary 60/70 °C	
	Thermal output exchanged [kW]	Primary flow rate [m³/h]	Secondary flow rate [m³/h]	
30	42	3,712	3,697	
40	55	4,861	4,841	
50	70	6,186	6,161	
60	82	7,247	7,217	

N° of plates	Primary 80/65 °C		Secondary 55/70 °C	
	Thermal output exchanged [kW]	Primary flow rate [m³/h]	Secondary flow rate [m³/h]	
30	64	3,766	3,750	
40	85	5,002	4,981	
50	105	6,178	6,153	
60	122	7,179	7,149	

N° of plates	Primary 80/65 °C		Secondary 10/60 °C	
	Thermal output exchanged [kW]	Primary flow rate [m³/h]	Secondary flow rate [m³/h]	
30	68	4,001	1,180	
40	88	5,178	1,527	
50	105	6,178	1,822	
60	128	7,532	2,222	

N° of plates	Primary 80/60 °C		Secondary 10/50 °C	
	Thermal output exchanged [kW]	Primary flow rate [m³/h]	Secondary flow rate [m³/h]	
30	90	3,968	1,948	
40	120	5,291	2,597	
50	145	6,393	3,138	
60	170	7,496	3,679	

N° of plates	Primary 70/60 °C		Secondary 10/50 °C	
	Thermal output exchanged [kW]	Primary flow rate [m³/h]	Secondary flow rate [m³/h]	
30	45	3,961	0,974	
40	60	5,281	1,299	
50	72	6,337	1,558	
60	85	7,481	1,840	

N° of plates	Primary 65/50 °C		Secondary 10/50 °C	
	Thermal output exchanged [kW]	Primary flow rate [m³/h]	Secondary flow rate [m³/h]	
30	65	3,800	1,407	
40	88	5,144	1,904	
50	110	6,430	2,381	
60	125	7,307	2,705	

N° of plates	Primary 60/40 °C		Secondary 10/50 °C	
	Thermal output exchanged [kW]	Primary flow rate [m³/h]	Secondary flow rate [m³/h]	
30	90	3,933	1,948	
40	120	5,245	2,597	
50	145	6,337	3,138	
60	170	7,430	3,679	

EXTRA-BOLLY® CALORIFIERS
 BOLLYTERM® CALORIFIERS
 STAINLESS STEEL CALORIFIERS
 CALORIFIERS FOR HEAT PUMP
 MULTIFUEL ENERGY CYLINDERS - PUFFER
 HYDRONIC
 INERTIAL TANKS
 WATER PRESSURE TANKS
 COMPRESSED AIR RECEIVERS
 ACCESSORIES AND SPARE PARTS
 TECHNICAL SUPPORT

MACS® MODULE

MODULE FOR IMMEDIATE D.H.W. PRODUCTION



APPLICATION

MACS® module produces instantly D.H.W. with high flow rate.

HEAT EXCHANGERS, MATERIAL

Copper circuitry, fittings and valves in brass.
316L stainless steel brazed plate heat exchanger with a thermostatic mixer in the Entry heating water from the buffer avoiding the plate exchanger to overheat and reducing risk of calcium deposits. Module's frame in PPE protecting and insulating the heat exchanger and circuits.

TECHNICAL INFORMATIONS

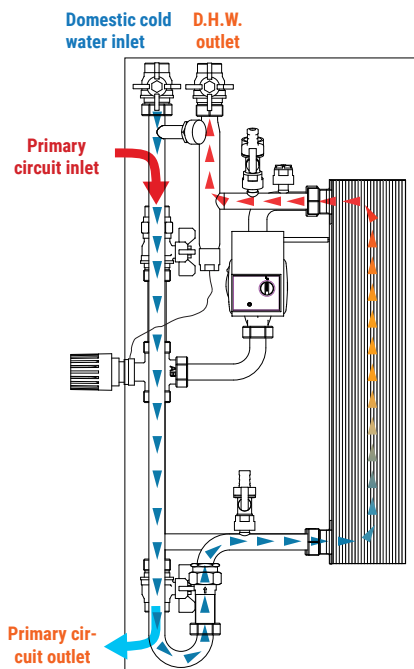
MACS® module produces instantly D.H.W. with high flow rate and without storage of water.

The immediate and fast production of D.H.W. granted by the external plate exchanger system allow the following benefits:

- reduced dimensions for DHW productions
- easy maintenance
- maximum hygiene for anti-legionellosis bacteria's
- to produce more DHW than the quantity obtained by water heater with similar capacity thanks to the heating water stored at an higher temperature than DHW.

WARRANTY

2 years
See general sales conditions and warranty.



MANUAL THERMOSTATIC REGULATION

MACS® is connected to the buffer tank, and its 316L stainless steel heat exchanger produce hot domestic water, using the heat energy stored in the Buffer thanks granting safety and comfort with the possibility to regulate outlet temperature.

MACS® module

Output	Stainless steel Plate Exchanger 316 L
[kW]	Art. Nr.
70	3316006700005
120	3316006700006

MACS® TECHNICAL DATA	70 Kw model	120 Kw model
Primary circuit maximum flow rate (inlet)	1.200 l/h	1620 l/h
D.H.W. maximum flow rate (outlet)	1.800 l/h ΔP 0,5 bar	3.000 l/h ΔP 0,5 bar
DHW station maximum flow rate	30 lt/min	50 lt/min
DHW production (at 10-45°C) with 70°C storage	24 lt/min	41 lt/min
Maximum working temperature	90 °C	90 °C
Maximum working pressure	6 bar	6 bar
Electrical supply	230 V AC, 93 W	230 V AC, 132 W
Minimal D.H.W. request to activate / disactivate MACS® station	1,5 l/m ± 0,5	1,5 l/m ± 0,5
Insulated D.H.W. case dimension (LxHxW)	L 400 x H 700 x P 260 mm	L 500 x H 905 x P 310 mm
Connections	¾" M	1" F / ¾" F
Exchanger model	SLB 20 / 34 plates	SLB 40 / 40 plates

Accessories on request

Recirculation kit

Art. Nr.
5221000000054
Control display + pump (for D.H.W.)



The use of Cordivari's recycling kit allows to manage on the system a link of the DHW recycling.

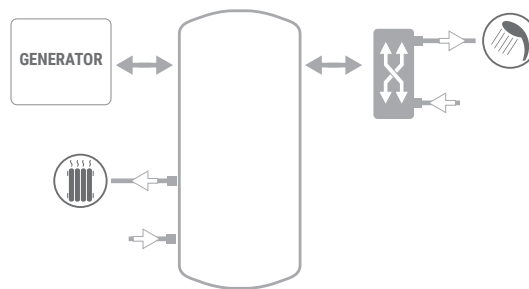
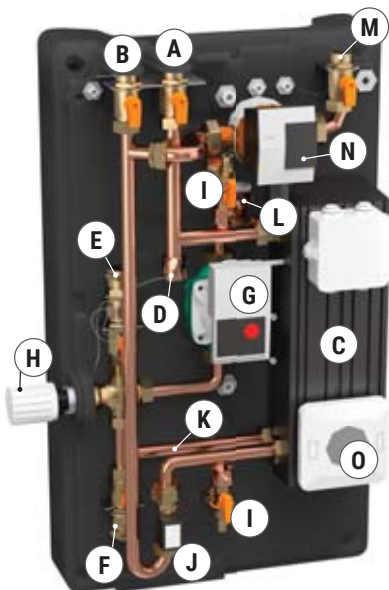
The benefit consists of improving the comfort for the user by reducing the waste of domestic water and producing DHW immediately at the right temperature.

In particular, the Cordivari electronic recycling kit allows to:

- Maximize the energy saving by setting the program of recycling temperature based on personal habits.
- Daily and weekly scheduling to manage until 8 time slots for each days of the week
- Constantly monitoring the working and the efficiency of the recycle tanks to the self-diagnostics of the system
- Work also without the temperature's probe, through programmable temporary actions.

MACS[®] MODULE

MODULE FOR IMMEDIATE D.H.W. PRODUCTION



A	Domestic Hot Water exit	G	"Energy Saving" Circulation Pump
B	Domestic Water entry	H	Thermostatic Valve
C	Stainless Steel Plate Exchanger	I	Valves In/Out for DHW
D	Control for thermostatic head	J	Flow switch for DHW
E	Heating water inlet from the buffer	K	Return to primary circuit
F	Heating water back to the buffer	L	Purge valve

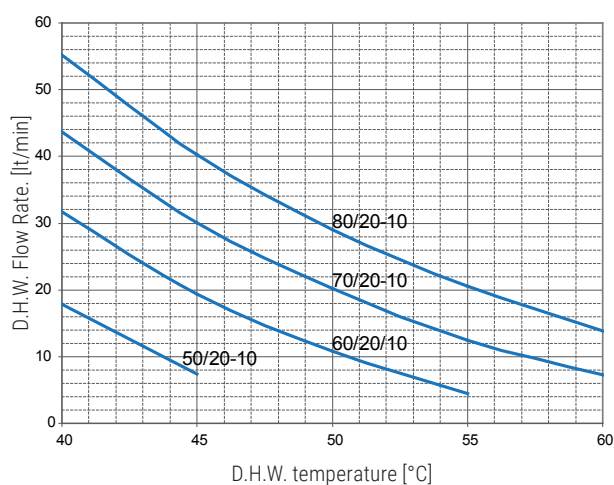
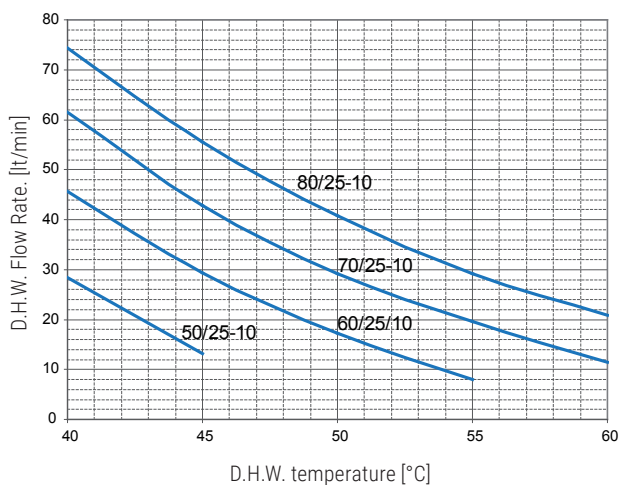
D.H.W. recirculation kit (optional)	
M	Connection for D.H.W. recirculation (optional)
N	Recirculation pump (optional)
O	D.H.W. recirculation control display (optional)

MACS[®] TECHNICAL DATA CHART

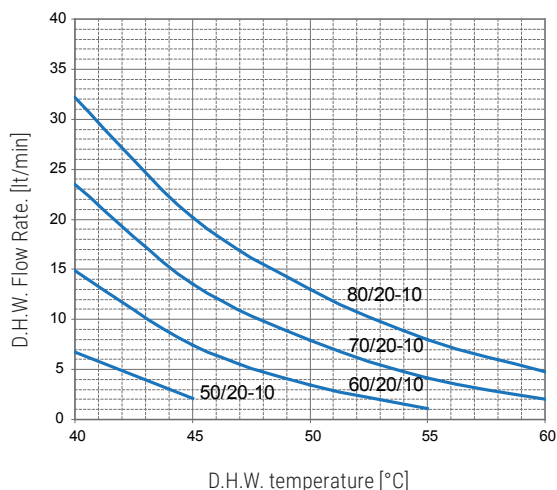
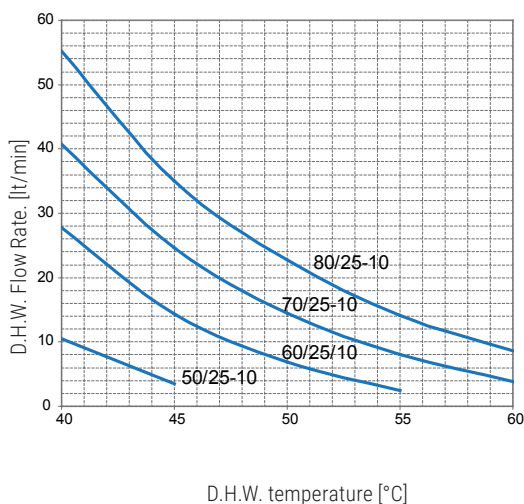
The curves in below charts are useful to calculate the flow rate of DHW product by a MACS[®] module unit depending on the DHW desired temperature (value reported on the horizontal axis)

The various curves are determined according to 3 parameters: the temperature of the storage tank; the temperature of the heating water flow returning to the storage tank and the inlet temperature of the DHW water.

120 Kw



70 Kw



EXTRA-BOLLY[®] CALORIFIERS
 BOLLYTERM[®] CALORIFIERS
 STAINLESS STEEL CALORIFIERS
 CALORIFIERS FOR HEAT PUMP
 MULTIFUEL ENERGY CYLINDERS - PUFFER
 HYDRONIC
 INERTIAL TANKS
 WATER PRESSURE TANKS
 COMPRESSED AIR RECEIVERS
 ACCESSORIES AND SPARE PARTS
 TECHNICAL SUPPORT

ELECTRONIC MACS® MODULE

MODULE FOR IMMEDIATE D.H.W. PRODUCTION WITH ELECTRONIC CONTROL UNIT



APPLICATION

MACS® module produces instantly D.H.W. with high flow rate.

EXCHANGER, MATERIAL

Copper primary pipes, 316L stainless steel DHW sanitary circuit; brass fittings and valve.
316L stainless steel brazed plate heat exchanger.
PPE module case housing and insulating the exchangers circuits.

TECHNICAL DESCRIPTION

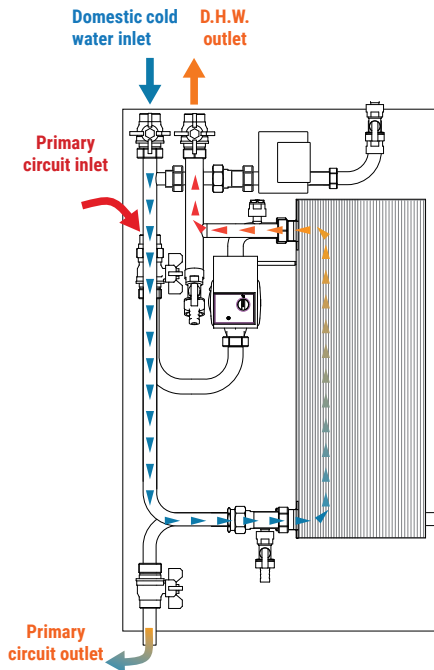
MACS® module produces instantly D.H.W. with high flow rate and without storage of water.
Thanks to a variable flow rate on the primary the risk of limescale formation on the sanitary side is highly reduced

The immediate and fast production of D.H.W. granted by the external plate exchanger system allow the following benefits:

- reduced dimensions for DHW productions
- easy maintenance
- maximum hygiene for anti-legionellosis bacteria's
- to produce more DHW than the quantity obtained by water heater with similar capacity thanks to the heating water stored at an higher temperature than DHW.

WARRANTY

2 years
See general sales conditions and warranty



NEW- ELECTRONIC TEMPERATURE CONTROL

The MACS® module coupled to the thermal storage, produces instantaneous sanitary water (D.H.W) using the heating accumulated within the thermal storage, granting maximum hygiene and comfort thanks to the possibility of setting the return temperature.

ELECTRONIC MACS® MODULE

Output	Stainless steel Plate Exchanger 316 L
[kW]	Art. Nr.
70	3316006700007
120	3316006700008

MACS® TECHNICAL DATA	70 Kw model	120 Kw model
Primary circuit maximum flow rate (inlet)	1.200 l/h	1620 l/h
D.H.W. maximum flow rate (outlet)	1.800 l/h ΔP 0,5 bar	3.000 l/h ΔP 0,5 bar
DHW station maximum flow rate	30 lt/min	50 lt/min
DHW production (at 10-45°C) with 70°C storage	24 lt/min	41 lt/min
Maximum working temperature	90 °C	90 °C
Maximum working pressure	6 bar	6 bar
Electrical supply	230 V AC, 93 W	230 V AC, 132 W
Minimal D.H.W. request to activate / disactivate MACS® station	1,5 l/m ± 0,5	1,5 l/m ± 0,5
Insulated D.H.W. case dimension (LxHxW)	L 400 x H 700 x P 260 mm	L 500 x H 905 x P 310 mm
Connections	¾" M	1" F / ¾" F
Exchanger model	SLB 20 / 34 plates	SLB 40 / 40 plates

Accessories on request

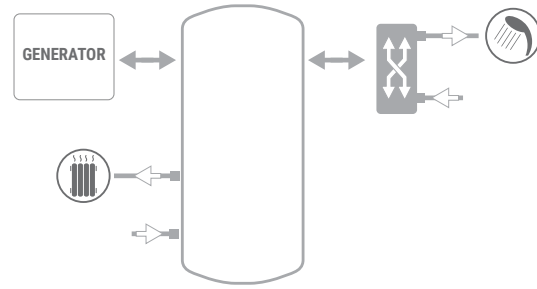
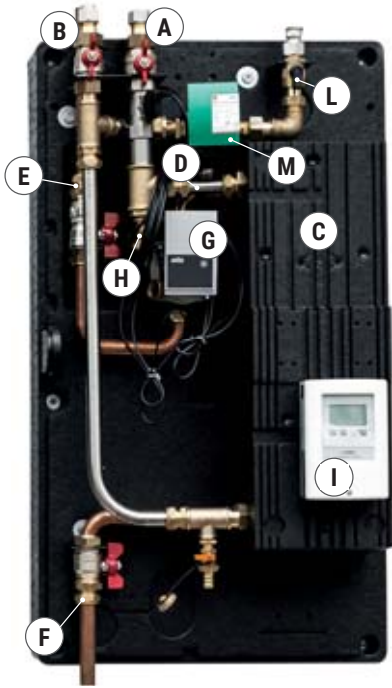
Art. Nr.
5221000000073
D.H.W. recirculation kit



The recirculation kit for Electronic MACS® module allows the implementation of a sanitary recirculation ring on the system where modules are installed.
The main advantage of such sanitary recirculation ring is to improve comfort and speed in achieving and enjoying the desired DHW temperature, reducing energy waste.
The control unit included as standard with electronic MACS® modules allow the complete management of all settings of the recirculation ring, such as temperature, setting etc...

ELECTRONIC MACS® MODULE

MODULE FOR IMMEDIATE D.H.W. PRODUCTION WITH ELECTRONIC CONTROL UNIT



A	Domestic hot water outlet (DHW)	F	Primary Outlet
B	Domestic Water entry	G	"Energy Saving" Circulation Pump
C	Stainless Steel Plate Exchanger	H	Valves In/Out for DHW
D	Flow rate/ temperature probe	I	Electronic control unit
E	Primary Inlet		

D.H.W. recirculation kit (optional)

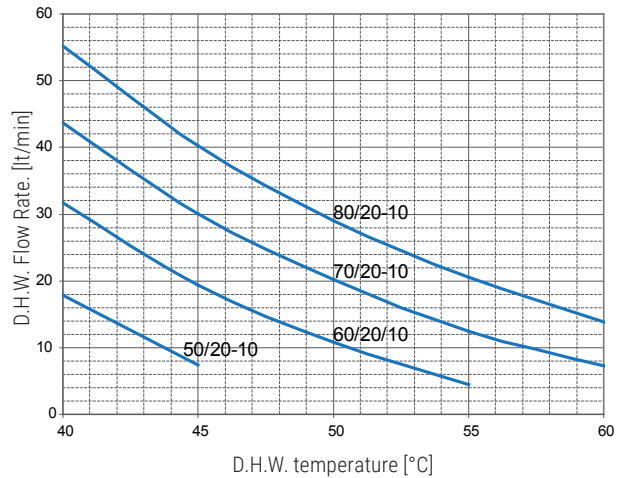
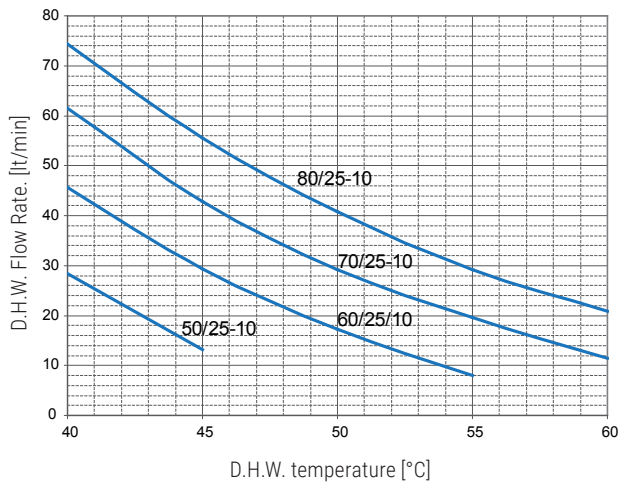
L	Connection for D.H.W. recirculation (optional)
M	D.H.W. recirculation pump (optional)

MACS® TECHNICAL DATA CHART

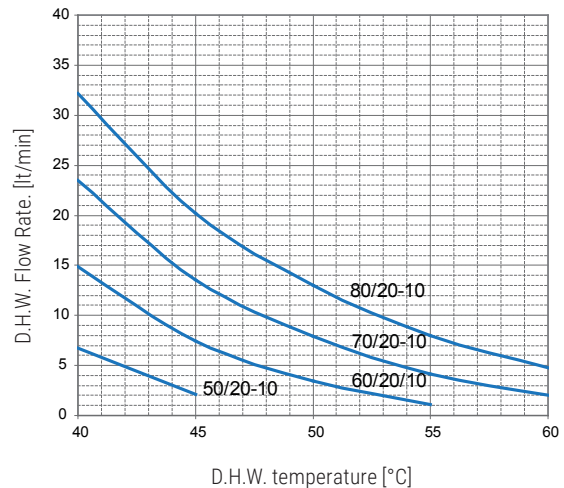
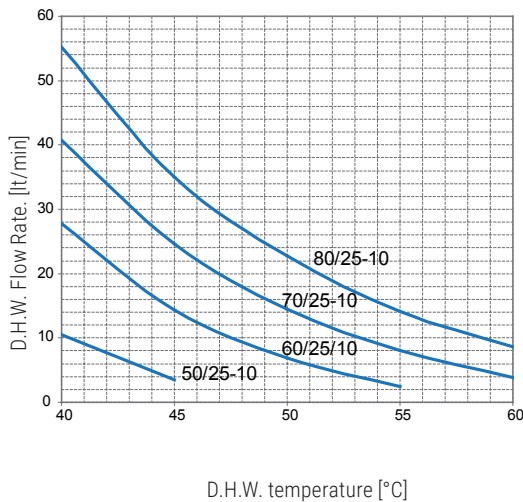
The curves in below charts are useful to calculate the flow rate of DHW product by a MACS® module unit depending on the DHW desired temperature (value reported on the horizontal axis)

The various curves are determined according to 3 parameters: the temperature of the storage tank; the temperature of the heating water flow returning to the storage tank and the inlet temperature of the DHW water.

120 Kw



70 Kw



CASCADE MACS® SYSTEM

CASCADE MACS® SYSTEM WITH ELECTRONIC CONTROL UNIT FOR INSTANTANEOUS DHW PRODUCTION ON BIG INSTALLATION



APPLICATION

MACS® module produces instantly D.H.W. with high flow rate even if there is installed a small power thermal generator.

HEAT EXCHANGERS, MATERIAL

Copper circuitry, fittings and valves in brass .

316L stainless steel brazed plate heat exchanger with a thermostatic mixer in the Entry heating water from the buffer avoiding the plate exchanger to overheat reducing risk of formation of calcium deposit. Module's frame in PPE that protects and makes insulated the heat exchanger and the circuit.

TECHNICAL DESCRIPTION

The management of additional MACS module in cascade allows meeting high requirements of DHW.

The complete system manage trough the electronic control unit the working of each module following the request of DHW from

the users.

The cascade configuration can eventually also manage the link of the DHW recycling. The use of the MACS module in cascade takes all the benefits from the MACS module also in big installation where big DHW flows are needed to produce instantaneous DHW without the necessity to accumulate it.

WARRANTY

2 years

1 year electronical parts

See general sales conditions and warranty

CASCADE MACS® SYSTEM

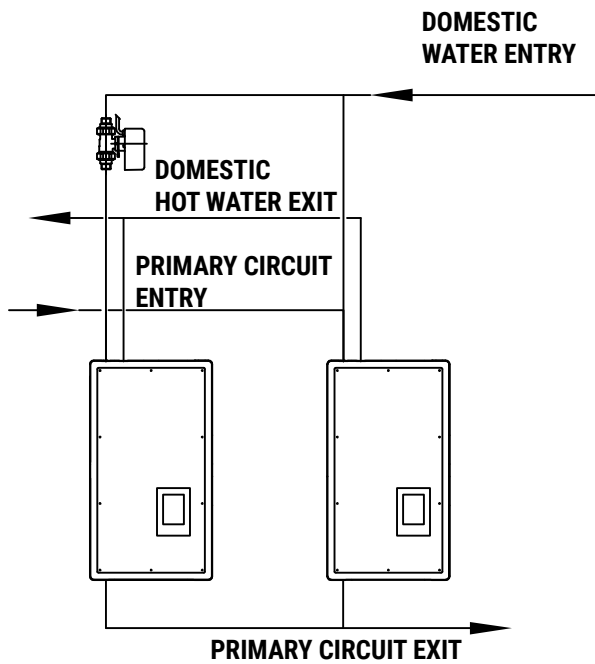
Numbers of MACS module 120 kW	Total input [kW]	DHW flow rate [lt/min]	Stainless steel Plate Exchanger 316 L Art. Nr.
x 2	240	100	3316006700015
x 3	360	150	3316006700016



CASCADE MACS® SYSTEM

CASCADE MACS® SYSTEM WITH ELECTRONIC CONTROL UNIT FOR INSTANTANEOUS DHW PRODUCTION ON BIG INSTALLATION

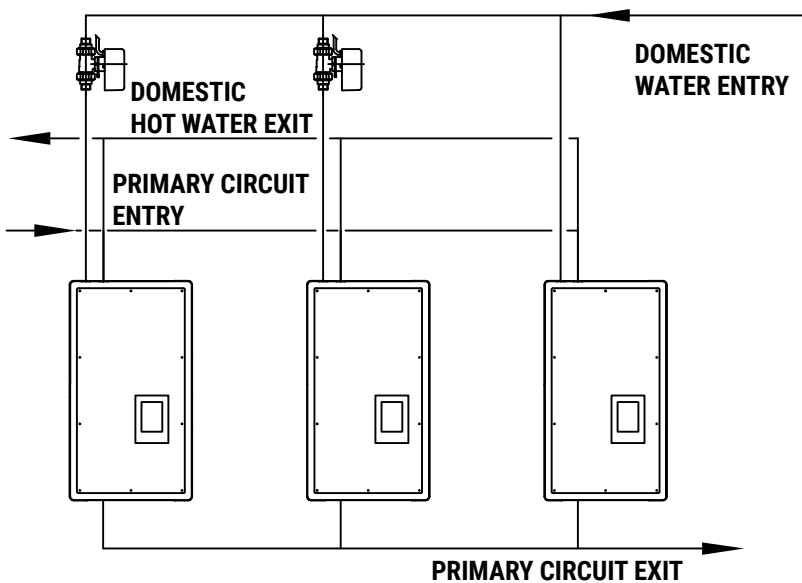
WITH 2 MACS® MODULES




The system includes:

MACS® module - 120 kW
 x 2
2-ways valve - 1"
 x 1

WITH 3 MACS® MODULES



The system includes:

MACS® module - 120 kW
 x 3
2-ways valve - 1"
 x 2

EXTRA-BOLLY®
CALORIFIERS

BOLLYTERM®
CALORIFIERS

STAINLESS STEEL
CALORIFIERS

CALORIFIERS FOR
HEAT PUMP

MULTIFUEL ENERGY
CYLINDERS - PUFFER

HYDRONIC

INERTIAL
TANKS

WATER PRESSURE
TANKS

COMPRESSED AIR
RECEIVERS

ACCESSORIES
AND SPARE PARTS

TECHNICAL
SUPPORT

PRS MODULE

MODULE FOR IMMEDIATE DHW PREPARATION



APPLICATION

PRS modules are used for immediate (without storage) Domestic Hot Water production or semi-immediate (with storage) in case of bigger systems, aside from the primary circuit energy source. PRS modules are equipped with a sophisticated management system able to automatically control several installations and punctually manage anti-legionellosis cycles, recording data and their results.

COMPONENTS

- Inspection plate heat exchanger. The exchanger can be opened for a better cleaning in order to keep high hygiene conditions.
- Primary circuit single or double pump. The double pump is suitable for systems that need to be always operating. In case of breakdown, the system automatically starts the second pump and guarantees heating for DHW production.
- Motor-operated mixing valve. The valve mixes the primary fluid passing by the heat plate exchanger, so that the temperature does not go up too much and it reduces the

calcareous deposits inside.

- Electronic panel with PLC. PLC has a software specially designed to manage the PRS with anti-legionellosis cycles recording option.
- Temperature probes.
- Galvanized mild steel frame.

WORKING CONDITION

Max pressure = 10 bar

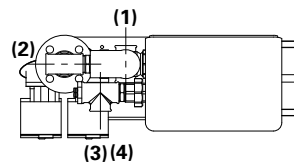
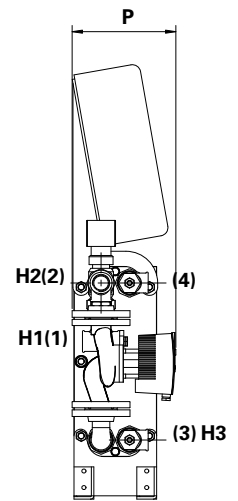
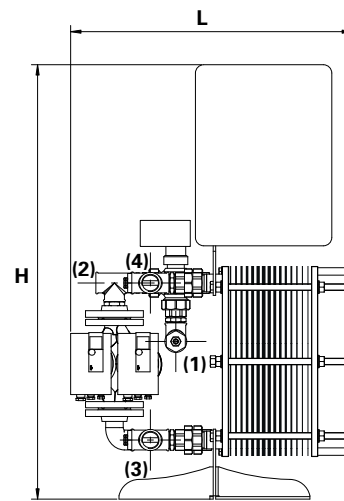
Max temperature = 140°C (meant as max gaskets operating temperature that has always to be the lowest among the temperatures and is equal to steam tension of 0.5 bar more than the normal atmosphere pressure considered for two circulating fluids).

In case of application at temperature higher than 110°C see TECHNICAL SUPPORT & REGULATIONS section.

WARRANTY

2 years - See general sales conditions and warranty.

Exchanger model	N° of plates	H	L	P	H1	H2	H3
		[mm]					
PHC 4620	9	1050	530	250	380	520	140
	11						
	13						
	15						
	17						
	19						
	21						
	25						
	27						
	29						
	31						
	33						
	35						
	39						
41							
43							
45							
PHC 7420	17	1330	530	660	800		
	19						
	23						
	25						
	29						
	35						
	37						
	39						
43							



1	Primary Inlet
2	Primary Outlet
3	Domestic Hot Water entry
4	Domestic Hot Water exit



TOUCH SCREEN ELECTRONIC PANEL

The electronic panel:

- can automatically control several installations for Domestic Hot Water production;
- is completely adjustable;
- allows PID regulation of the mixing valve on the primary;
- manages the pumps operating conditions of the primary, adjusting the flow rate to the quantity of Domestic Hot Water demanded, so to realize optimal energy efficiency;
- manages the DHW charge and recirculation of the operating pumps;
- allows the constant monitoring of the installation and temperatures progress screening;
- punctually manages the anti-legionellosis cycles, recording temperatures data on a file that can be downloaded by USB port;
- shows temperatures progress during the last anti-legionellosis cycle;
- automatically allows a punctual opening of the drain valve;
- is able to detect and notify a component or primary circuit heat generator malfunction.

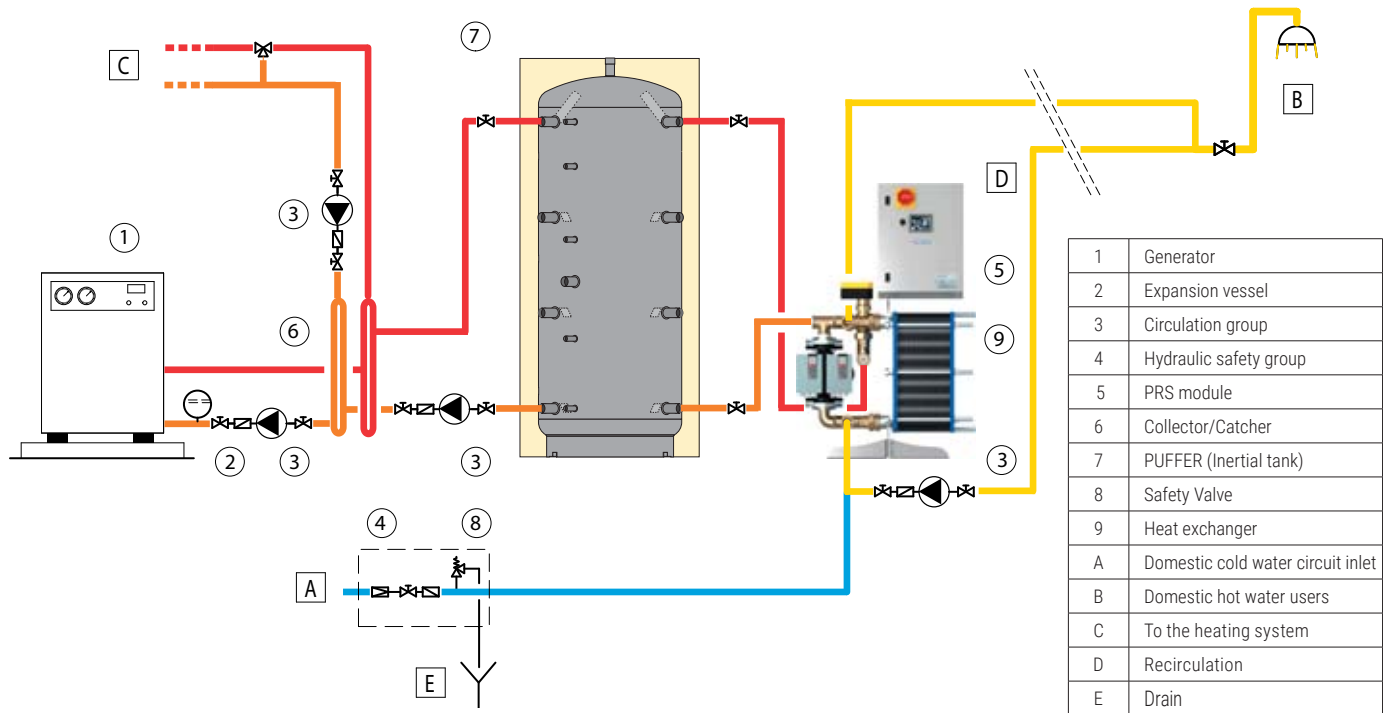


PRS MODULE

MODULE FOR IMMEDIATE DHW PREPARATION

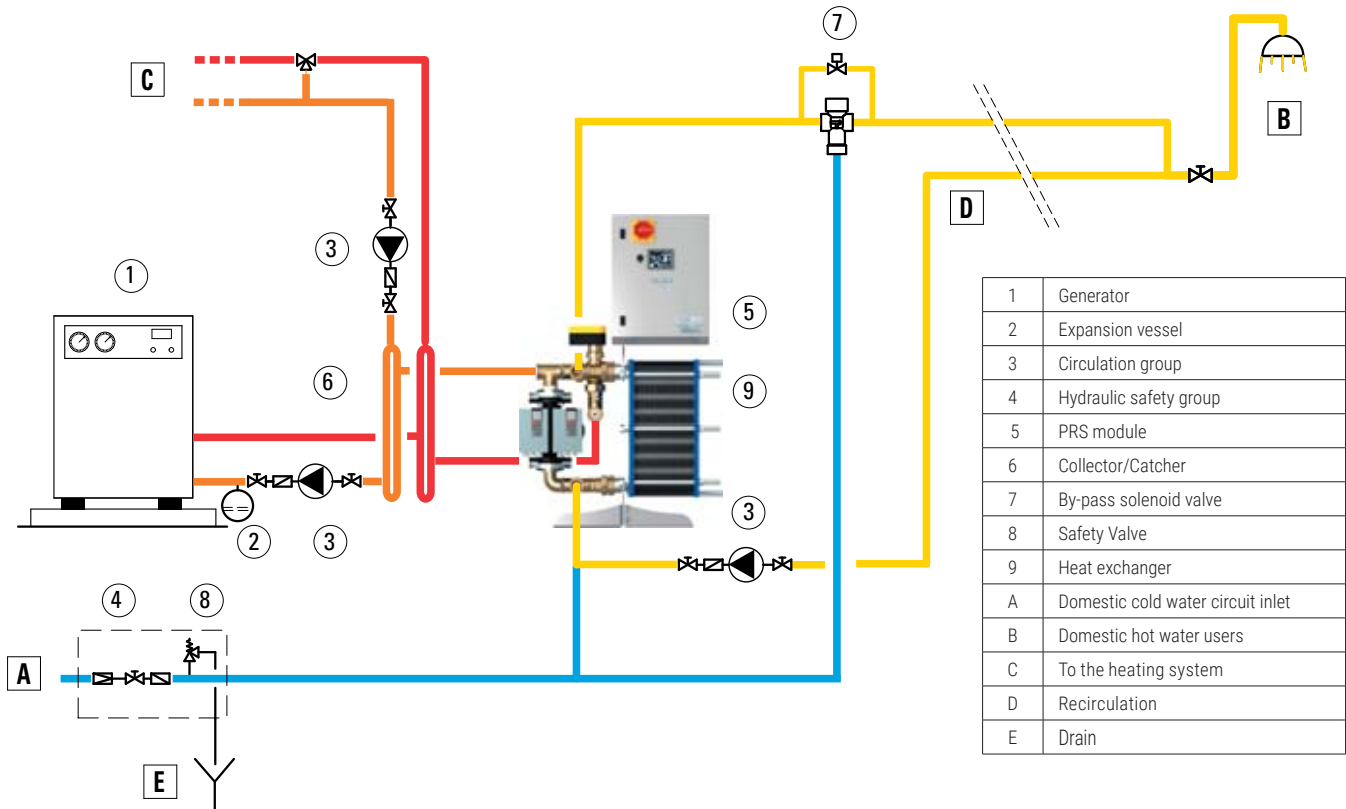
EXAMPLE OF INSTALLATION WITH A DHW STORAGE TANK

The following schemes are purely illustrative.
To realize the installation, always refer to a qualified design engineer.



EXAMPLE OF INSTALLATION WITHOUT A WATER STORAGE TANK

The following schemes are purely illustrative.
To realize the installation, always refer to a qualified design engineer.



EXTRA-BOLLY®
CALORIFIERS

BOLLYTERM®
CALORIFIERS

STAINLESS STEEL
CALORIFIERS

CALORIFIERS FOR
HEAT PUMP

MULTIFUEL ENERGY
CYLINDERS - PUFFER

HYDRONIC

INERTIAL
TANKS

WATER PRESSURE
TANKS



COMPRESSED AIR
RECEIVERS

ACCESSORIES
AND SPARE PARTS



TECHNICAL
SUPPORT



SYSTEMS FOR TRADITIONAL INSTALLATIONS

WITH SINGLE PUMP			Primary 80/70 °C Secondary 10/50 °C				Primary 65/50 °C Secondary 10/45 °C			
Exchanger model	N° of plates	Art. Nr.	Output	Flow rate	DHW Flow Rate	Over dimensioning factor	Output	Flow rate	DHW Flow Rate	Over dimensioning factor
			[kW]	[m³/h]	[m³/h]		[kW]	[m³/h]	[m³/h]	
 PHC 4620	9	3435316701001	40	3,52	0,88	1,25	58	3,40	1,46	0,25
	11	3435316701002	50	4,40	1,10	1,31	73	4,28	1,61	0,29
	13	3435316701005	60	5,28	1,32	1,36	88	5,16	1,94	0,31
	15	3435316701006	70	6,16	1,54	1,39	102	5,98	2,24	0,33
	17	3435316701007	80	7,04	1,76	1,41	117	6,86	2,57	0,34
	19	3435316701008	91	8,00	2,00	1,42	131	7,68	2,88	0,35
	21	3435316701009	101	8,88	2,22	1,43	146	8,56	3,21	0,36
	25	3435316701010	121	10,64	2,66	1,46	175	10,26	3,85	0,37
	27	3435316701011	131	11,52	2,88	1,47	190	11,14	4,18	0,37
	29	3435316701012	141	12,40	3,10	1,47	205	12,02	4,51	0,38
	31	3435316701013	151	13,28	3,32	1,48	219	12,84	4,82	0,38
	33	3435316701014	161	14,16	3,54	1,48	234	13,72	5,15	0,38
	35	3435316701015	172	15,00	3,78	1,47	249	14,60	5,48	0,39
	39	3435316701016	184	15,00	4,05	1,48	273	15,00	6,00	0,36
	41	3435316701017	190	15,00	4,18	1,47	281	15,00	6,18	0,35
43	3435316701018	196	15,00	4,31	1,47	289	15,00	6,36	0,35	
45	3435316701019	201	15,00	4,42	1,47	295	15,00	6,49	0,34	
 PHC 7420	17	3435316701020	60	5,28	1,32	4,38	87	5,10	1,91	2,02
	19	3435316701021	68	5,98	1,50	4,41	98	5,75	2,16	2,04
	23	3435316701022	83	7,30	1,83	4,47	120	7,04	2,64	2,07
	25	3435316701023	90	7,92	1,98	4,50	131	7,68	2,88	2,09
	29	3435316701024	105	9,24	2,31	4,54	153	8,97	3,36	2,1
	35	3435316701025	128	11,26	2,81	4,57	187	10,97	4,11	2,12
	37	3435316701026	136	11,96	2,99	4,57	197	11,55	4,33	2,13
	39	3435316701027	143	12,58	3,14	4,59	209	12,26	4,60	2,13
	43	3435316701028	158	13,90	3,47	4,60	231	13,55	5,08	2,14

PRS modules with the **highest over dimensioning factor** are offered to extend the circulating lifecycle and keep the exchanger cleaner, so to have higher efficiency and reducing the maintenance frequency.



WITH DOUBLE PUMP			Primary 80/70 °C Secondary 10/50 °C				Primary 65/50 °C Secondary 10/45 °C			
Exchanger model	N° of plates	Art. Nr.	Output	Flow rate	DHW Flow Rate	Over dimensioning factor	Output	Flow rate	DHW Flow Rate	Over dimensioning factor
			[kW]	[m³/h]	[m³/h]		[kW]	[m³/h]	[m³/h]	
 PHC 4620	9	3435316701051	40	3,52	0,88	1,25	58	3,40	1,46	0,25
	11	3435316701052	50	4,40	1,10	1,31	73	4,28	1,61	0,29
	13	3435316701053	60	5,28	1,32	1,36	88	5,16	1,94	0,31
	15	3435316701054	70	6,16	1,54	1,39	102	5,98	2,24	0,33
	17	3435316701055	80	7,04	1,76	1,41	117	6,86	2,57	0,34
	19	3435316701056	91	8,00	2,00	1,42	131	7,68	2,88	0,35
	21	3435316701057	101	8,88	2,22	1,43	146	8,56	3,21	0,36
	25	3435316701058	121	10,64	2,66	1,46	175	10,26	3,85	0,37
	27	3435316701059	131	11,52	2,88	1,47	190	11,14	4,18	0,37
	29	3435316701060	141	12,40	3,10	1,47	205	12,02	4,51	0,38
	31	3435316701061	151	13,28	3,32	1,48	219	12,84	4,82	0,38
	33	3435316701062	161	14,16	3,54	1,48	234	13,72	5,15	0,38
	35	3435316701063	172	15,00	3,78	1,47	249	14,60	5,48	0,39
	39	3435316701064	184	15,00	4,05	1,48	273	15,00	6,00	0,36
	41	3435316701065	190	15,00	4,18	1,47	281	15,00	6,18	0,35
43	3435316701066	196	15,00	4,31	1,47	289	15,00	6,36	0,35	
45	3435316701067	201	15,00	4,42	1,47	295	15,00	6,49	0,34	
 PHC 7420	17	3435316701068	60	5,28	1,32	4,38	87	5,10	1,91	2,02
	19	3435316701069	68	5,98	1,50	4,41	98	5,75	2,16	2,04
	23	3435316701070	83	7,30	1,83	4,47	120	7,04	2,64	2,07
	25	3435316701071	90	7,92	1,98	4,50	131	7,68	2,88	2,09
	29	3435316701072	105	9,24	2,31	4,54	153	8,97	3,36	2,1
	35	3435316701073	128	11,26	2,81	4,57	187	10,97	4,11	2,12
	37	3435316701074	136	11,96	2,99	4,57	197	11,55	4,33	2,13
	39	3435316701075	143	12,58	3,14	4,59	209	12,26	4,60	2,13
	43	3435316701076	158	13,90	3,47	4,60	231	13,55	5,08	2,14

PRS modules with the **highest over dimensioning factor** are offered to extend the circulating lifecycle and keep the exchanger cleaner, so to have higher efficiency and reducing the maintenance frequency.





SYSTEMS FOR LOW TEMPERATURE INSTALLATIONS

WITH SINGLE PUMP

Exchanger model	N° of plates	Art. Nr.	Primary 50/40 °C Secondary 10/45 °C			
			Output [kW]	Flow rate [m³/h]	DHW Flow Rate [m³/h]	Over dimensioning factor
 PHC 4620	9	3435316701029	15	1,32	0,38	0,01
	11	3435316701030	20	1,76	0,50	0,02
	13	3435316701031	26	2,29	0,65	0,01
	15	3435316701032	32	2,81	0,80	0,01
	17	3435316701033	37	3,25	0,93	0,01
	19	3435316701034	43	3,78	1,08	0,01
	21	3435316701035	49	4,31	1,23	0,01
	25	3435316701036	60	5,28	1,51	0,01
	27	3435316701037	66	5,81	1,66	0,01
	29	3435316701038	72	6,33	1,81	0,01
	31	3435316701039	77	6,77	1,94	0,01
	33	3435316701040	83	7,30	2,09	0,01
	35	3435316701041	89	7,83	2,24	0,01
	39	3435316701042	100	8,80	2,51	0,01
	41	3435316701043	106	9,32	2,66	0,01
43	3435316701044	112	9,85	2,81	0,01	
45	3435316701045	118	10,38	2,97	0,01	
 PHC 7420	17	3435316701046	56	4,93	1,41	0,80
	19	3435316701047	64	5,63	1,61	0,78
	23	3435316701048	78	6,86	1,96	0,80
	25	3435316701049	85	7,48	2,14	0,81
	29	3435316701050	99	8,71	2,49	0,82
	35	3435316701025	120	10,56	3,02	0,84
	37	3435316701026	128	11,26	3,22	0,84
	39	3435316701027	135	11,88	3,39	0,84
	43	3435316701028	149	13,11	3,74	0,85

PRS modules with the **highest over dimensioning factor** are offered to extend the circulating lifecycle and keep the exchanger cleaner, so to have higher efficiency and reducing the maintenance frequency.

WITH DOUBLE PUMP

Exchanger model	N° of plates	Art. Nr.	Primary 50/40 °C Secondary 10/45 °C			
			Output [kW]	Flow rate [m³/h]	DHW Flow Rate [m³/h]	Over dimensioning factor
 PHC 4620	9	3435316701051	15	1,32	0,38	0,01
	11	3435316701052	20	1,76	0,50	0,02
	13	3435316701053	26	2,29	0,65	0,01
	15	3435316701054	32	2,81	0,80	0,01
	17	3435316701077	37	3,25	0,93	0,01
	19	3435316701078	43	3,78	1,08	0,01
	21	3435316701079	49	4,31	1,23	0,01
	25	3435316701080	60	5,28	1,51	0,01
	27	3435316701081	66	5,81	1,66	0,01
	29	3435316701082	72	6,33	1,81	0,01
	31	3435316701083	77	6,77	1,94	0,01
	33	3435316701084	83	7,30	2,09	0,01
	35	3435316701085	89	7,83	2,24	0,01
	39	3435316701086	100	8,80	2,51	0,01
	41	3435316701087	106	9,32	2,66	0,01
43	3435316701088	112	9,85	2,81	0,01	
45	3435316701089	118	10,38	2,97	0,01	
 PHC 7420	17	3435316701068	56	4,93	1,41	0,80
	19	3435316701069	64	5,63	1,61	0,78
	23	3435316701070	78	6,86	1,96	0,80
	25	3435316701071	85	7,48	2,14	0,81
	29	3435316701072	99	8,71	2,49	0,82
	35	3435316701073	120	10,56	3,02	0,84
	37	3435316701074	128	11,26	3,22	0,84
	39	3435316701075	135	11,88	3,39	0,84
	43	3435316701076	149	13,11	3,74	0,85

PRS modules with the **highest over dimensioning factor** are offered to extend the circulating lifecycle and keep the exchanger cleaner, so to have higher efficiency and reducing the maintenance frequency.

EXTRA-BOLLY®
CALORIFIERS

BOLLYTERM®
CALORIFIERS

STAINLESS STEEL
CALORIFIERS

CALORIFIERS FOR
HEAT PUMP

MULTIFUEL ENERGY
CYLINDERS - PUFFER

HYDRONIC

INERTIAL
TANKS

WATER PRESSURE
TANKS

COMPRESSED AIR
RECEIVERS

ACCESSORIES
AND SPARE PARTS

TECHNICAL
SUPPORT

PRS MODULE

MODULE FOR IMMEDIATE DHW PREPARATION

INSTALLATION WITH D.H.W. STORAGE

The graphics represent a useful guide to help choosing the suitable PRS module according to all possible exigencies of application. The most common cases are showed such as applications in accommodation facilities or residential facilities.

The applications imply the coupling of the PRS module with VASO INERZIALE for the accumulation of DHW.

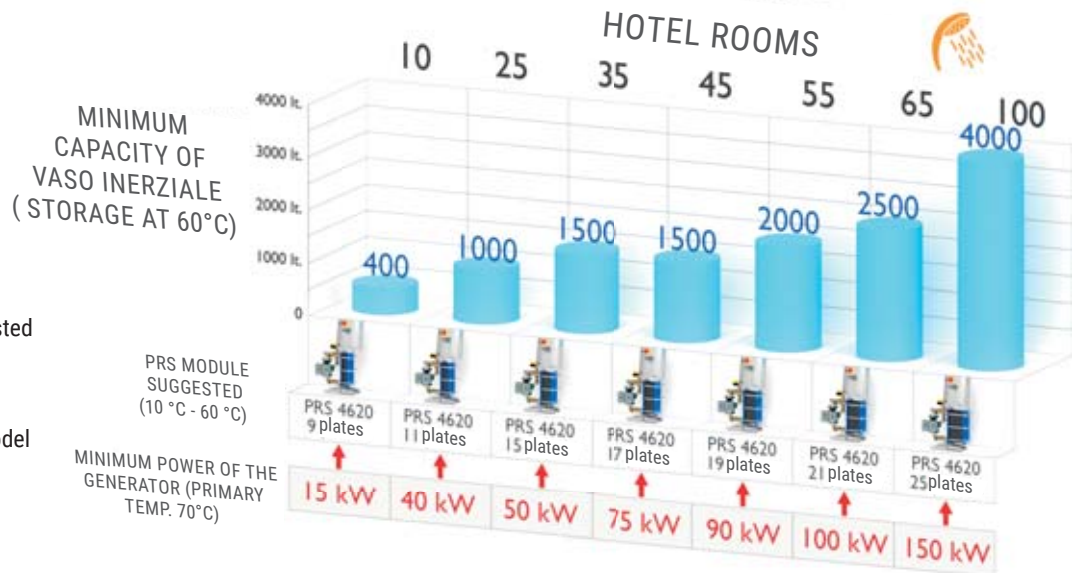
According to the size of the installation we indicate the most suitable PRS module together with the VASO INERZIALE at the minimum thermal power supplied by the generator

Applications in accommodation facilities

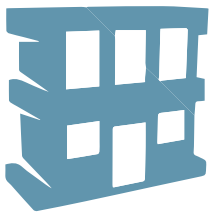


PRS module suggested (10 °C - 60 °C)

Inertial tank model



Applications in residential facilities



PRS module suggested (10 °C - 60 °C)

Minimum power of the generator (primary temp. 70°C)

Inertial tank model



The following schemes are purely illustrative. To realize the installation, always refer to a qualified design engineer.

MINIMUM D.H.W. STORAGE at 60 °C

PRS MODULE

MODULE FOR IMMEDIATE DHW PREPARATION

INSTALLATION WITHOUT D.H.W. STORAGE

The graphics represent a useful guide to help choosing the suitable PRS module according to all possible exigencies of application. The most common cases are showed such as applications in accommodation facilities or residential facilities.

The applications imply the coupling of the PRS module with VASO INERZIALE for the accumulation of DHW. According to the size of the installation we indicate the most suitable PRS module at the minimum thermal power supplied by the generator

Applications in accommodation facilities

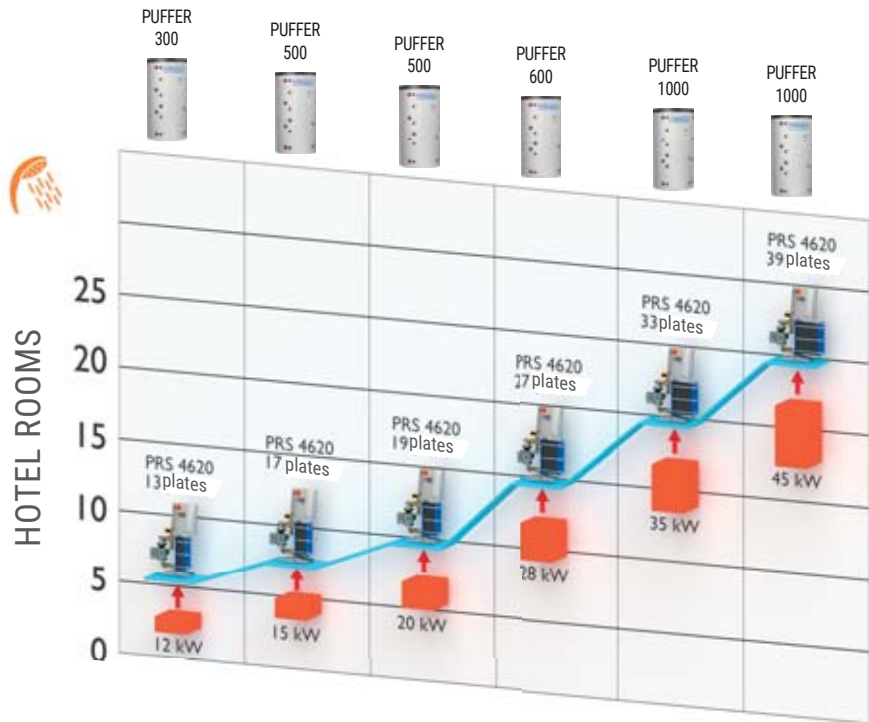


PRS module suggested (10 °C - 45 °C)

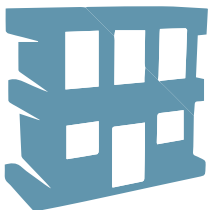
Minimum power of the generator (primary temp. 70 °C)

Rooms n°

PUFFER temperature 65 °C



Applications in residential facilities

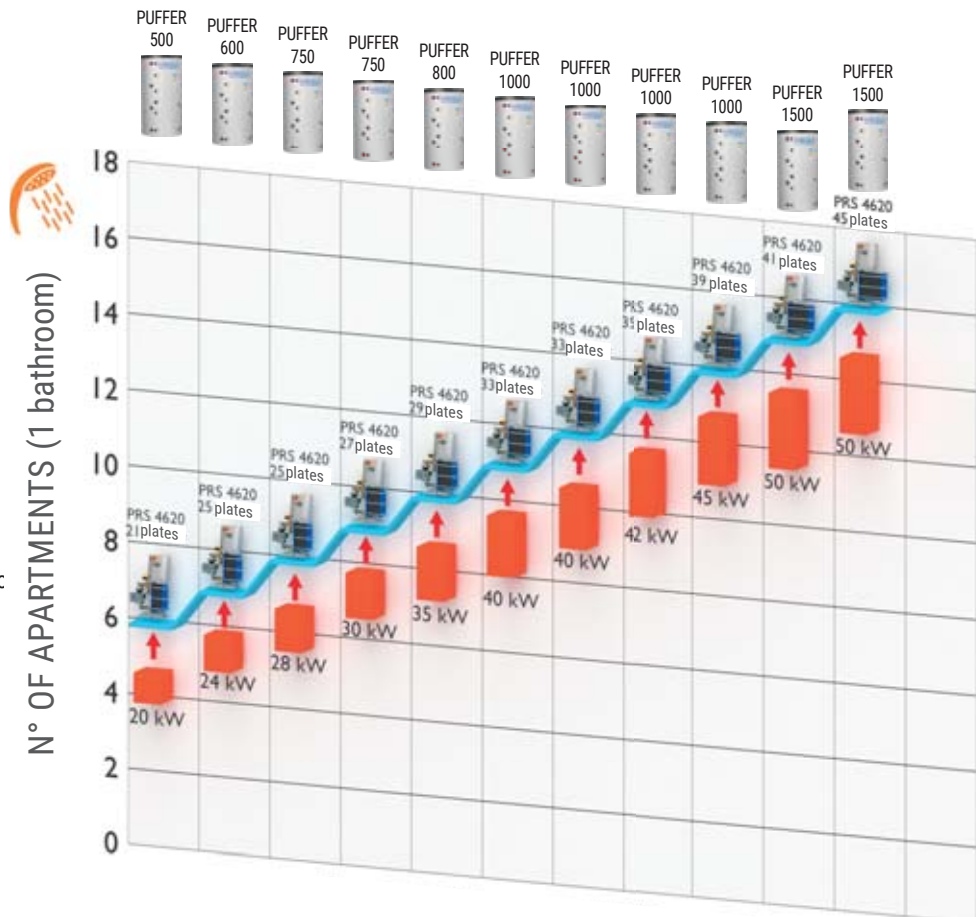


PRS module suggested (10 °C - 45 °C)

Minimum power of the generator (primary temp. 70 °C)

N° of apartments (1 bathroom)

PUFFER temperature 65 °C



The following schemes are purely illustrative. To realize the installation, always refer to a qualified design engineer.

EXTRA-BOLLY® CALORIFIERS
 BOLLYTERM® CALORIFIERS
 STAINLESS STEEL CALORIFIERS
 CALORIFIERS FOR HEAT PUMP
 MULTIFUEL ENERGY CYLINDERS - PUFFER
 HYDRONIC
 INERTIAL TANKS
 WATER PRESSURE TANKS
 COMPRESSED AIR RECEIVERS
 ACCESSORIES AND SPARE PARTS
 TECHNICAL SUPPORT

RAPID HEAT EXCHANGER



TECHNICAL DESCRIPTION

Rapid heat exchangers are made by a double spiral copper coil covered with mild steel tubes. Its particular internal configuration forces the two fluids to go upstream and guarantees a rapid and efficient thermal exchange. They can be used in several ways in thermo-hydraulic domain, such as for DHW production combined with thermo-fireplaces or biomass generators.

APPLICATION

Immediate DHW production .

MATERIAL

Mild steel

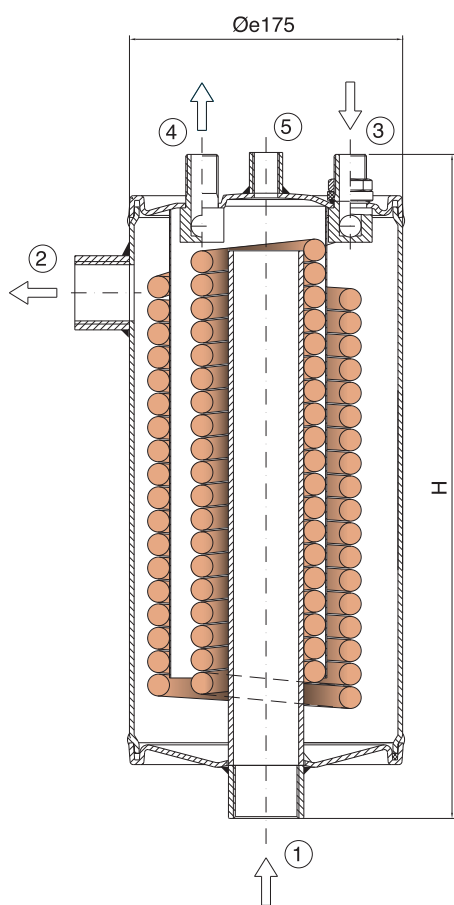
HEAT EXCHANGER

Fixed double spiral copper coil heat exchanger.

WARRANTY

2 years

See general sales conditions and warranty.



- 1 Primary Inlet
- 2 Primary Outlet
- 3 Secondary Inlet
- 4 Secondary Outlet
- 5 Air purge

RAPID HEAT EXCHANGER

Model	Art. Nr.	HEAT EXCHANGER SURFACE
		[m ²]
24000	3681160120001	0,5
35000	3681160120002	0,7
45000	3681160120003	0,9

Model	External exchange diameter	Height H	1-2	3-4	5
	[mm]				
24000	175	320	1" 1/2	1/2"	3/8"
35000		425	1" 1/2	1/2"	3/8"
45000		525	1" 1/2	1/2"	3/8"

Primary circuit temperature 85 °C, secondary from 10 to 60 °C

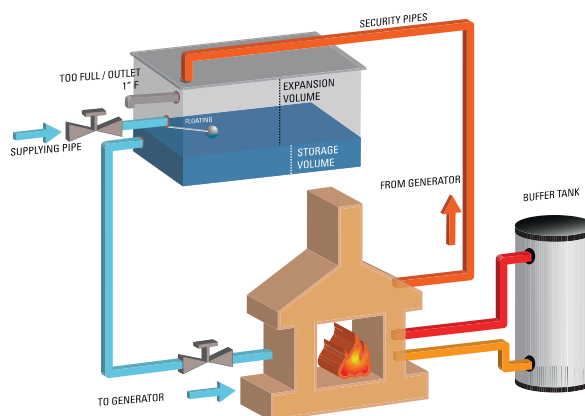
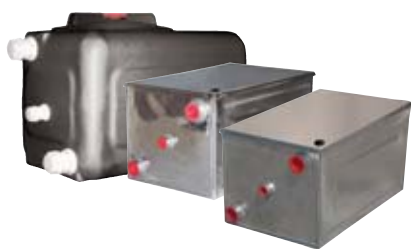
Model	Exchanged power		Flow rate	D.H.W. production
	[Kcal/h]	[Kw]		
24000	24200	28,14	1880	480
35000	35651	41,46	2150	709
45000	45124	52,48	2380	897

Primary circuit temperature 75 °C, secondary from 10 to 45 °C

Model	Exchanged power		Flow rate	D.H.W. production
	[Kcal/h]	[Kw]		
24000	24147	28,08	1880	685
35000	35335	41,09	2150	1004
45000	44554	51,82	2380	1267

OPEN EXPANSION VESSEL

304 STAINLESS STEEL / GALVANIZED / POLYETHYLENE



Opened Expansion tanks are used as safety accessories in the heating systems where, due to legal reason it is forbidden to install closed expansion tanks systems. In Italy, for the water fireplaces, they are still one of the most simple and economic solution. Expansion tank is composed by a cover unit where all the security piping of outlet pipe for too full, supplying and systems charge, should arrive. Its rule is to merge the water in excess due caused by temperature increase. Expansion Tank should be placed on the highest point reached by the water and should have an expanding volume not less than the expansion volume developed by all the water contained into the system, whose value should be declared in the project.

Expansion volume needed in the system is calculated by the following formula:

$$"Ve = C \times e"$$

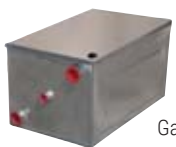
Where C is the water contained into the system and "e" is equal to the difference between the expansion factor of the water at the minimum conceivable temperature with sleeping system and the expansion factor of the water at boiling temperature of atmospheric pressure. Considering the first water temperature equal to 10°C and the boiling one at 100°C

$$"e" = 0.0431$$

It is possible to connect more than one tank together.



304 Stainless steel



Galvanized



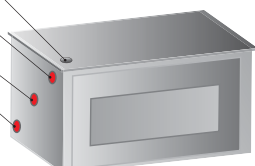
Polyethylene

Security hole Ø 30

Too full /purge 1" F

Floating ½" F

System Inlet 1" F



EXPANSION VESSEL INOX

Model	304 Stainless steel Art. Nr.	Dimension HxLxP [mm]	Expansion volume [litres]
30	3941014010001	275x455x245	7,5
50	3941014010002	276x455x430	30

EXPANSION VESSEL Z

Model	Galvanized Art. Nr.	Dimension HxLxP [mm]	Expansion volume [litres]
30	3941164010001	275x455x245	7,5
50	3941164010002	276x455x430	30

VASO DI ESPANS. POLIET.

Model	Polyethylene Art. Nr.	Dimension HxLxP [mm]	Expansion volume [litres]
30	3500264011001	319x491x280	7,5

For technical and commercial information, see CORDIVARI SERBATOI E TRATTAMENTO ACQUE CATALOGUE.

EXTRA-BOLLY® CALORIFIERS
 BOLLYTERM® CALORIFIERS
 STAINLESS STEEL CALORIFIERS
 CALORIFIERS FOR HEAT PUMP
 MULTIFUEL ENERGY CYLINDERS - PUFFER
 HYDRONIC
 INERTIAL TANKS
 WATER PRESSURE TANKS
 COMPRESSED AIR RECEIVERS
 ACCESSORIES AND SPARE PARTS
 TECHNICAL SUPPORT

R-Mix DN25 MODULES

CIRCULATION AND MIXED PUMPS MODULES FOR CENTRAL HEATING INSTALLATION



APPLICATION

Heating water circulator and mixer for central heating installation

MATERIAL

Circuitry, fittings and valves in brass material
Case in PPE, for protecting and insulating the module
Material used for components and accessories suitable for drinkable water according DM 174 dated 06.04.04 and Sect. 9 D.I. 31/2001.

TECHNICAL INFORMATIONS

R-Mix module are modules designed for the circulation of heating water in closed central heating installations.
The Mixed Unit version of Module DN25 meets all the installation needs with specific models: middle and low temperature heating systems, need of energy metering, cooling systems; everything

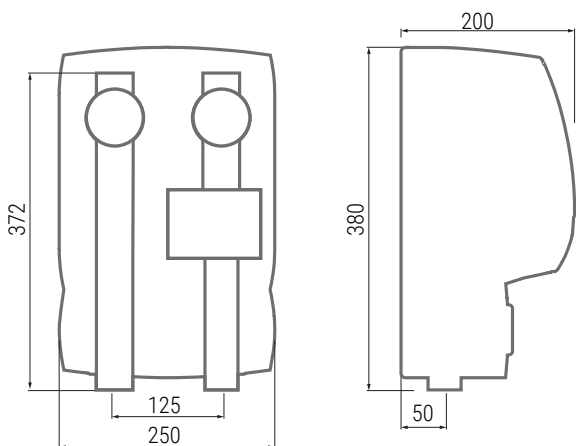
with the possibility of a management control by means of climatic controllers even built-in the pump unit.

The Module DN25 equipped with mixing valves, allows an easier installation and relevant using.

By setting the required temperature of heating water on the thermostatic mixing valve, the same will be delivered accordingly to the central heating installation in an automatic and constant way.

WARRANTY

2 years warranty (1 year for electronic components)
See general conditions for sales and warranty terms.



R-MIX DN25

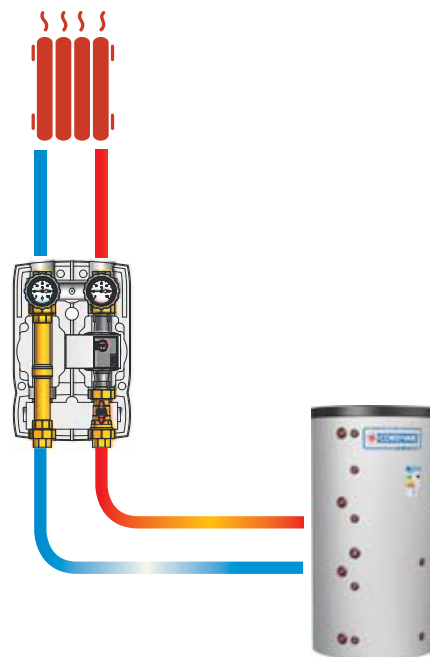
Model	ART. NR.
UNMIXED UNIT	3435316700021
MIXED UNIT (20-45 °C)	3435316700022
MIXED UNIT (45-70 °C)	3435316700023



UNMIXED UNIT



MIXED UNIT



Model	Connections	Pump Head	Max Output	Max flow rate	Kvs
		[mH ₂ O]	[kW]	[l/h]	
Unmixed Unit	1"	6	50	2150	8.0
With mixing valve 20-45°C	1"	7.5	35	1500	3.3
With mixing valve 45-70°C	1"	7.5	35	1500	3.3

Accessories on request



Wall fixing kit for module

Art. Nr. 5221000000074



Wall fixing kit for distribution headers

Art. Nr. 5221000000077



Adapter connection kit

Art. Nr. 5221000000078



Distributor for 2 x DN25 pump units

Art. Nr. 5221000000075



Distributor for 3 x DN25 pump units

Art. Nr. 5221000000076

R-Mix DN32 MODULES

CIRCULATION AND MIXED PUMPS MODULES FOR CENTRAL HEATING INSTALLATION



APPLICATION

Heating water circulator and mixer for central heating installation

MATERIAL

Circuitry, fittings and valves in brass material
Case in PPE, for protecting and insulating the module
Material used for components and accessories suitable for drinkable water according DM 174 dated 06.04.04 and Sect. 9 D.I. 31/2001.

TECHNICAL INFORMATIONS

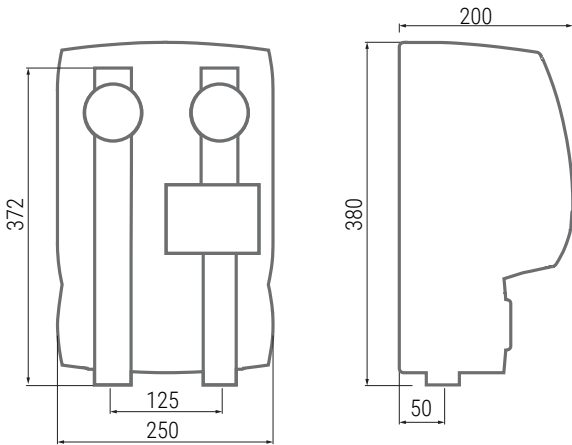
R-Mix module are modules designed for the circulation of heating water in closed central heating installations.
The Mixed Unit version meets all the installation needs with specific models: middle and low temperature heating systems, need of energy metering, cooling systems; everything with the possibility of a management control by means of climatic controllers even built-

in the pump unit.

The Module DN32 equipped with 2-Way pump unit and with 3-way mixing valve with electronic control for the constant temperature allows the maximum reliability in both Heating and Cooling.
The motorized Module DN32 can vary the opening of the mixing valve in order to maintain the inlet water temperature constant allowing the prompt and balanced reaction of the mixer module.

WARRANTY

2 years warranty (1 year for electronic components)
See general conditions for sales and warranty terms.



R-MIX DN32

Model	ART. NR.
UNMIXED UNIT	3435316700024
MOTORIZED MIXED UNIT	3435316700025

NOTE

For motorized mixed unit version please always specify Fixed limit Servomotor (see accessories below)

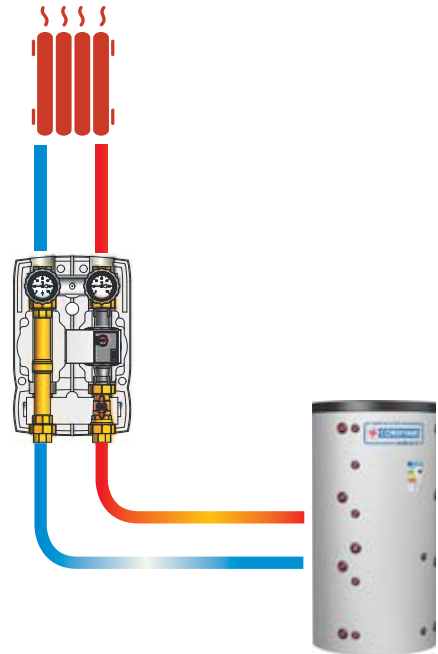


UNMIXED UNIT



MOTORIZED MIXED UNIT

Model	Connections	Pump Head	Max Output	Max flow rate	Kvs
		[mH ₂ O]	[kW]	[l/h]	
Unmixed Unit	1" ¼	1÷8	111	4800	21
With motorized mixing valve	1" ¼	1÷8	76	4400	16



Accessories on request



Fixed limit Servomotor

Art. Nr. 5221000000079



Wall fixing kit for module

Art. Nr. 5221000000080



Distributor for 2 x DN32 pump units

Art. Nr. 5221000000081



Distributor for 3 x DN32 pump units

Art. Nr. 5221000000082



Wall fixing kit for distribution headers

Art. Nr. 5221000000083



INERTIAL TANKS AND WATER PRESSURIZED CYLINDERS

EXTRA-BOLLY®
CALORIFIERS

BOLLYTERM®
CALORIFIERS

STAINLESS STEEL
CALORIFIERS

CALORIFIERS FOR
HEAT PUMP

MULTIFUEL ENERGY
CYLINDERS - PUFFER

HYDRONIC

INERTIAL
TANKS

WATER PRESSURE
TANKS

COMPRESSED AIR
RECEIVERS

ACCESSORIES
AND SPARE PARTS

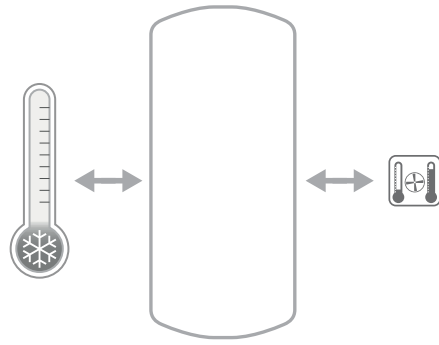
TECHNICAL
SUPPORT

ACQUA REFRIGERATA INOX

VERTICAL AISI 304 STAINLESS STEEL CHILLED WATER TANK



PRESSURE	TEMPERATURE
Pmax 6 bar	Tmax -10 / +60 °C



TECHNICAL DESCRIPTION

Vertical chilled water tanks are used for air conditioning installations in order to increase the thermal inertia and, for those installations with a low water-capacity, avoiding that the chilling generator is continually working.

MATERIAL

AISI 304 Stainless steel

EXTERNAL LINING

Blue PVC with plastic black caps for connections.

INSULATION

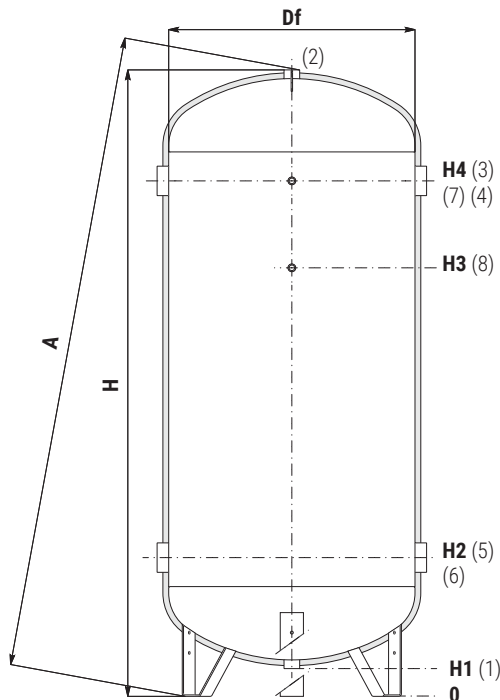
20 mm fixed polyethylene not subject to condensation. Not self-extinguishing version. Not removable from the tank.

20 mm not self-extinguishing insulation.

WARRANTY

2 years

See general sales conditions and warranty.



Model	ACQ. REF. XC 20 VT (20 mm Not self-extinguishing insulation)	
	Art. Nr.	
100	3001012500001	
200	3001012500002	
300	3001012500003	
500	3001012500004	
800	3001012500005	
1000	3001012500006	

1	Drain
2	Safety Valve
3 - 4	To the System
5 - 6	To the System
7-8	Connection for instrumentation 1/2" Gas F

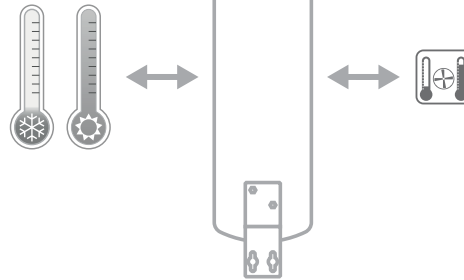
Model	Weight	Volume	Df	H	A	H1	H2	H3	H4	1-2	3-4-5-6	7-8
	[Kg]	[litres]										
100	27	100	400	1013	1024	85	296	601	801	1"1/4	1"1/2	1/2"
200	40	188	450	1403	1412	80	301	931	1181	1"1/4	1"1/2	1/2"
300	51	289	550	1443	1454	69	336	926	1176	1"1/4	2"	1/2"
500	87	495	650	1732	1764	58	370	1170	1420	1"1/4	3"	1/2"
800	121	788	750	2100	2140	116	458	1458	1758	1"1/4	3"	1/2"
1000	140	1036	850	2158	2202	102	480	1480	1780	1"1/2	3"	1/2"

HANGING VOLANO TERMICO PDC

HANGING ENERGY BUFFER FOR HEAT PUMP



PRESSURE	TEMPERATURE
Pmax 4 bar	Tmax -10 / +95 °C



TECHNICAL DESCRIPTION

Buffers either for hot or cold water have two main functions: they work both as water divisor and energy buffer. The water divisor makes the heat pump flow rates and terminals flow rates unconnected. The energy buffer function reduces the heat pump starting. Hanging energy buffers are designed for wall installation.

MATERIAL

Mild steel

EXTERNAL LINING

PVC plastic grey.

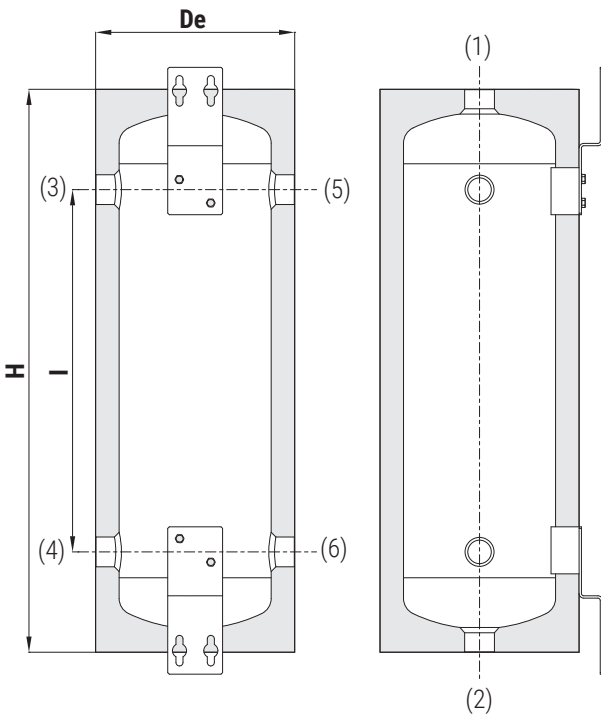
INSULATION

High thermal insulation with ecological polyurethane hard foam.

WARRANTY

2 years

See general sales conditions and warranty.



VOLANO TERMICO PDC (12 unit box)

ENERGY EFFICIENCY CLASS



Model	12 unit box	Art. Nr.	
12		307016092000412	B

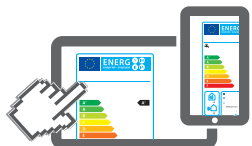
VOLANO TERMICO PDC

ENERGY EFFICIENCY CLASS



Model	Art. Nr.	
25	3070160920001	C
50	3070160920003	C

- 1 Safety Valve
- 2 Drain
- 3 - 4 - 5 - 6** To the System



www.cordivari.com/erp

On line ErP label tool



CORDIVARI Lab

TÜV Rheinland Energie und Umwelt GmbH states that test procedures and Cordivari LAB are certified conforming to European standard EN 15332, as indicated by Ecodesign ErP Directive.



ASK ALWAYS FOR CERTIFIED LABORATORIES DATA RESULTS

Model	Volume [litres]	Weight [Kg]	De	H	I	1-2	3-4-5-6
12	12	7	254	526	270	1"	1"
25	25	11	290	790	450	1"	1"1/4
50	51	18	343	1008	600	1"	1"1/4

Connections Gas F

P.E.D. product designed and produced in conformity to the article 4.3 of directive 2014/68/UE - ErP Ecodesign directive 2009/125/CE

EXTRA-BOLLY® CALORIFIERS

BOLLYTERM® CALORIFIERS

STAINLESS STEEL CALORIFIERS

CALORIFIERS FOR HEAT PUMP

MULTIFUEL ENERGY CYLINDERS - PUFFER

HYDRONIC

INERTIAL TANKS

WATER PRESSURE TANKS

COMPRESSED AIR RECEIVERS

ACCESORIES AND SPARE PARTS

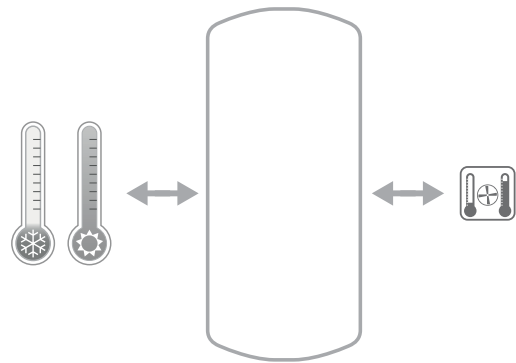
TECHNICAL SUPPORT

VOLANO TERMICO PDC

ENERGY BUFFER FOR HEAT PUMP



PRESSURE	TEMPERATURE
Pmax 4 bar	Tmax -10 / +95 °C



TECHNICAL DESCRIPTION

Buffer either for hot or cold water provided by heat pump, in order to limit the switch on/off of the generator.

MATERIAL

Mild steel

EXTERNAL LINING

PVC plastic grey.

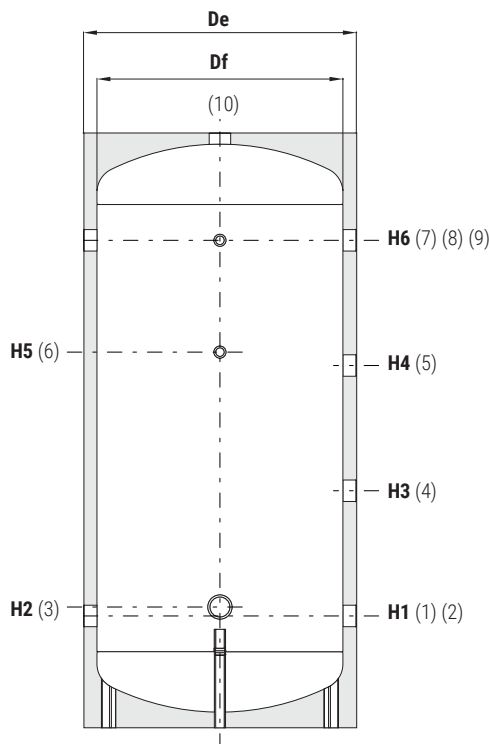
INSULATION

High thermal insulation with ecological polyurethane hard foam.

WARRANTY

2 years

See general sales conditions and warranty.



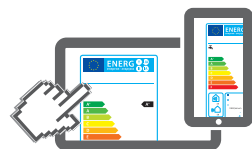
VOLANO TERMICO PDC

ENERGY EFFICIENCY CLASS

Model	ENERGY BUFFER FOR HEAT PUMP	Art. Nr.	ErP
100		3001162311001	C
200		3001162311002	C
300		3001162311003	C
500		3001162311014	C



- 1-2 From the heat Pump
- 3 Connection for electrical immersion 1 1/2" Gas F
- 4-5 To the System
- 6 Connection for instrumentation 1/2" Gas F
- 7 To the System
- 8 Connection for instrumentation 1/2" Gas F
- 9 To the System
- 10 To the System 1 1/4" Gas F



www.cordivari.com/erp

On line ErP label tool



CORDIVARI Lab

TÜV Rheinland Energie und Umwelt GmbH states that test procedures and Cordivari LAB are certified conforming to European standard EN 15332, as indicated by Ecodesign ErP Directive.



ASK ALWAYS FOR CERTIFIED LABORATORIES DATA RESULTS

Model	Volume [litres]	Weight [Kg]	De	H	H1	H2	H3	H4	H5	H6	1-2-4-5-7-9 Connections Gas F
100	95	23	461	990	206	246	374	543	511	711	1"
200	180	41	517	1289	206	246	489	793	836	1086	1"
300	280	51	624	1346	256	276	536	816	846	1096	1" 1/4
500	478	76	750	1641	271	291	634	998	1091	1361	1" 1/4

VOLANO TERMICO PDC REVERSO

HEATING WATER STORAGE BOTH FOR HOT AND COLD WATER INSTALLATIONS



TECHNICAL DESCRIPTION

VOLANO TERMICO PDC REVERSO is used in air conditioned systems to store cold water and also in heating systems to store hot heating water at high flow rate. Thanks to the aluminium external lining it is suitable for outdoor installation.

MATERIAL

Mild steel

APPLICATION

Buffer either for hot or cold water

ANTI-CORROSION TREATMENT

The anti-corrosion treatment is not necessary being installed in closed systems.

INSULATION

A layer of insulation not subject to condensation plus a second layer of polyester fleece, all sheltered by an aluminium external lining (removable so to ease the installation)

EXTERNAL LINING

Galvanized and painted metallic cover

CONNECTION FOR ELECTRICAL IMMERSION HEATER

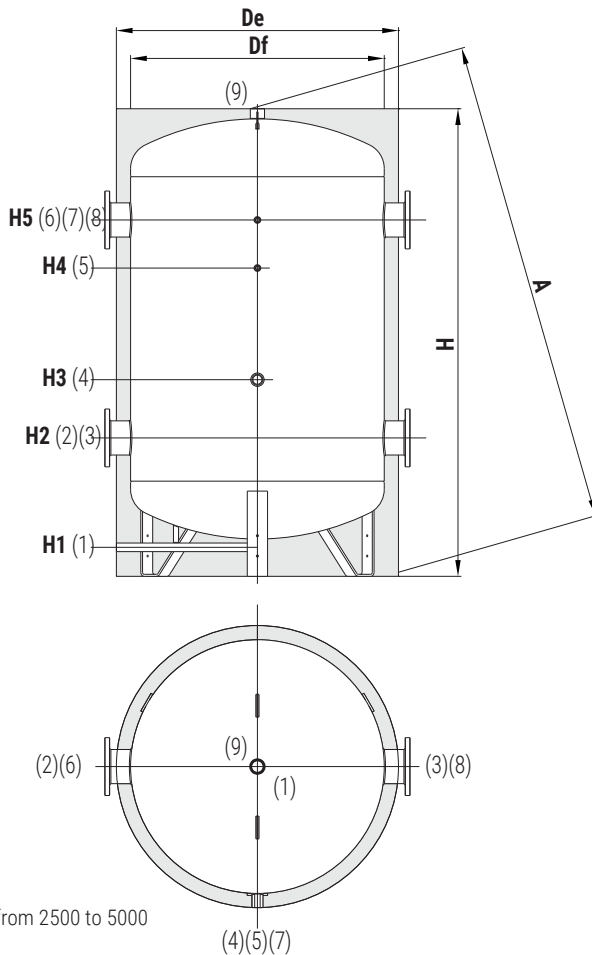
1 1/2 connection for low temperature electrical immersion heater (thermostat from 0 to +50 °C) - see the table below.

WARRANTY

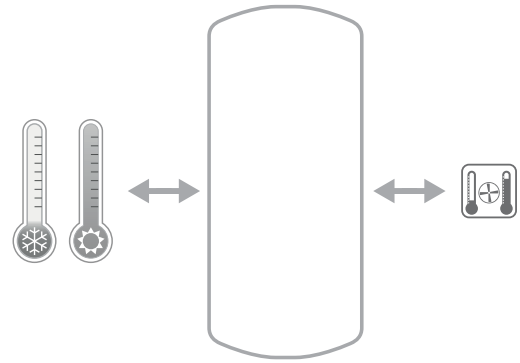
2 years

See general sales conditions and warranty.

PRESSURE	TEMPERATURE
Pmax	Tmax
4 bar	-10 / +90 °C



from 2500 to 5000



VOLANO TERMICO PDC

Model	HARD FOAM insulation
	Art. Nr.
2500	3001162310559
3000	3001162310560
4000	3001162310561

- 1 Drain
- 2
- 3 To the System
- 6
- 8
- 4 Connection for electrical immersion 1 1/2" F
- 5
- 7 Connection for instrumentation 1/2" F
- 9 To the System

Model	Weight [Kg]	Volume [lt]	Df	De	H	A	H1	H2	H3	H4	H5	Connections Gas F		
												1	2-3-6-8	9
2500	397	2294	1250	1390	2304	2621	143	682	969	1519	1756	1"	DN150 PN16	2"
3000	432	2988	1400	1540	2378	2760	127	711	998	1448	1785	1"	DN150 PN16	2"
4000	494	3914	1600	1740	2386	2873	105	719	996	1426	1763	1"	DN150 PN16	2"

P.E.D. product designed and produced in conformity to the article 4.3 of directive 2014/68/UE - ErP Ecodesign directive 2009/125/CE

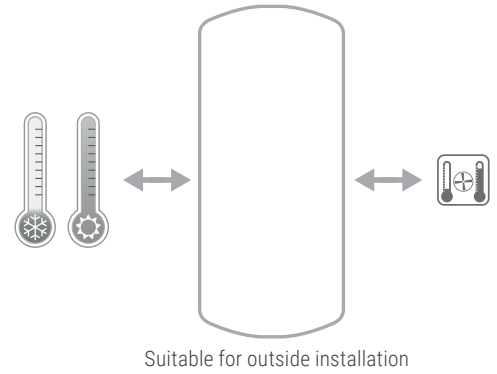
EXTRA-BOLLY® CALORIFIERS
BOLLYTERM® CALORIFIERS
STAINLESS STEEL CALORIFIERS
CALORIFIERS FOR HEAT PUMP
MULTIFUEL ENERGY CYLINDERS - PUFFER
HYDRONIC
INERTIAL TANKS
WATER PRESSURE TANKS
COMPRESSED AIR RECEIVERS
ACCESSORIES AND SPARE PARTS
TECHNICAL SUPPORT

VOLANO TERMICO CALDO-FREDDO R/C GB VT

VERTICAL INERTIAL HOT/COLD WATER TANK BOX



PRESSURE	TEMPERATURE
Pmax	Tmax
6 bar	-10 / +90 °C



APPLICATION AND TECHNICAL DESCRIPTION

Storage of chilled or hot water for inverter installations. These buffers are with hard box insulation and an external lining with a galvanized and painted plate, raw inside. They are suited for installation that works with cold water during Summer and hot water during Winter. They also allow to limit the number of switch on/off of the generator (either heat pump, chilled system or standard Generator) increasing the thermic inertia of the system and to have more stable temperatures

MATERIAL

Mild steel

EXTERNAL LINING

Galvanized and painted metallic cover.

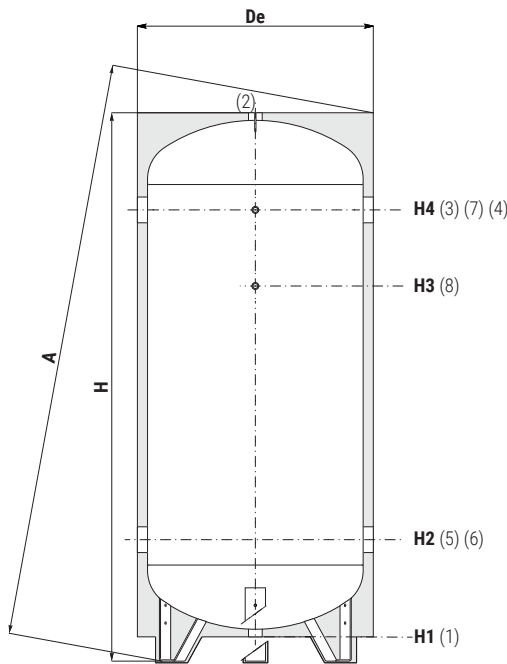
INSULATION

High thermal insulation with ecological polyurethane hard foam.

WARRANTY

2 years

See general sales conditions and warranty.



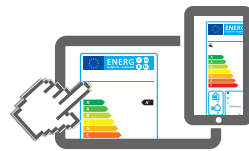
VOLANO TERMICO CALDO-FREDDO

ENERGY EFFICIENCY CLASS

Model _____ Art. Nr. _____

Model	Art. Nr.	ErP
100	3001162310501	C
200	3001162310502	C
300	3001162310503	C
500	3001162310524	C
800	3001162310525	C
1000	3001162310526	C
1500	3001162310527	C
2000	3001162310528	C

- 1 Drain
- 2 Safety Valve
- 3-4-5-6 To the System
- 7-8 Connection for Instrumentation 1/2" Gas F



www.cordivari.com/erp

On line ErP label tool



CORDIVARI Lab

TÜV Rheinland Energie und Umwelt GmbH states that test procedures and ordivari LAB are certified conforming to European standard EN 15332, as indicated by Ecodesign ErP Directive.

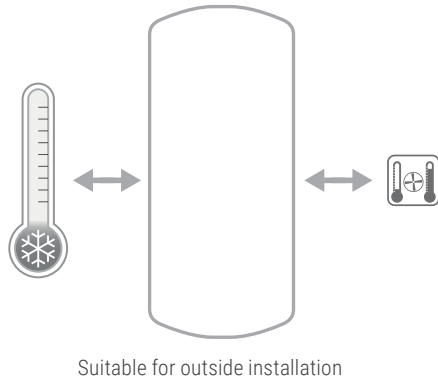


ASK ALWAYS FOR CERTIFIED LABORATORIES DATA RESULTS

Model	Weight [Kg]	Volume [litres]	De	H	A	H1	H2	H3	H4	1 2	5 - 6 - 3 - 4	7 - 8
100	32	101	//	1006	1017	73	287	592	792	1"1/4	1"1/2	1/2"
200	53	190	//	1407	1415	68	297	927	1177	1"1/4	1"1/2	1/2"
300	67	292	//	1518	1529	129	404	994	1244	1"1/4	2"	1/2"
500	101	501	750	1790	1941	80	400	1200	1450	1"1/4	3"	1/2"
800	147	788	900	2100	2285	80	430	1437	1730	1"1/4	3"	1/2"
1000	170	1034	1000	2166	2386	80	463	1463	1763	1"1/2	3"	1/2"
1500	183	1432	1100	2366	2609	100	471	1681	1981	2"	3"	1/2"
2000	219	1970	1300	2436	2761	100	506	1716	2016	2"	3"	1/2"

ACQUA REFRIGERATA ZINCATO ZB VT

VERTICAL GALVANIZED CHILLED WATER TANK



Suitable for outside installation

PRESSURE	TEMPERATURE
Pmax 6 bar	Tmax -10 / +60 °C



APPLICATION AND TECHNICAL DESCRIPTION

Storage of chilled water for Air Conditioning installations. These buffer are with hard box insulation and an external lining with a galvanized and painted plate.

They are used for air conditioning installations in order to increase the thermal inertia and, for those installations without a low water-capacity, avoiding that the chilling generator is continually working.

EXTERNAL LINING

Galvanized and painted metallic cover.

MATERIAL

These tanks are galvanized inside and outside, with immersion in a pool of fused zinc with pureness not below 99,99% (Uni EN 1179).

INSULATION

High thermal insulation with ecological hard polyurethane foam.

WARRANTY

2 years

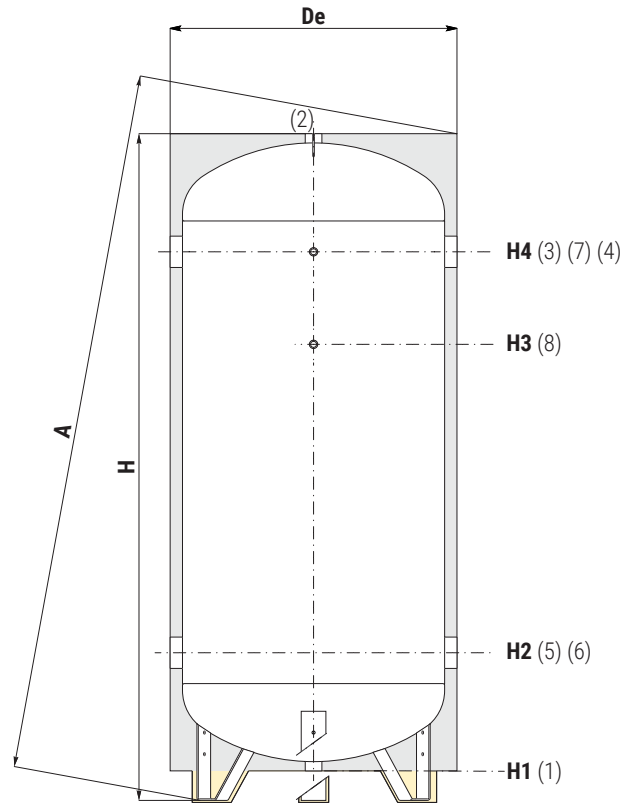
See general sales conditions and warranty.

Model	ACQ. REF. ZB VT (BOX INSULATION) Art. Nr.
100	3001162310001
200	3001162310002
300	3001162310003
500	3001162310004
800	3001162310005
1000	3001162310006
1500	3001162310007
2000	3001162310008



SUITABLE FOR OUTSIDE INSTALLATION

- 1 Drain
- 2 Safety Valve
- 3-4-5-6 To the System
- 7-8 Connection for Instrumentation 1/2" Gas F



Model	Weight [Kg]	Volume [litres]	De	H	A	H1	H2	H3	H4	1 2	5 - 6 - 3 - 4	7 - 8
Connections Gas F												
100	32	101	460	1006	1017	73	287	592	792	1"1/4	1"1/2	1/2"
200	53	190	510	1407	1415	68	297	927	1177	1"1/4	1"1/2	1/2"
300	67	292	610	1518	1529	129	404	994	1244	1"1/4	2"	1/2"
500	101	501	710	1810	1821	121	441	1241	1491	1"1/4	3"	1/2"
800	147	788	810	2108	2119	108	458	1458	1758	1"1/4	3"	1/2"
1000	170	1034	930	2162	2178	96	479	1479	1779	1"1/2	3"	1/2"
1500	183	1432	1010	2351	2386	102	471	1681	1981	2"	3"	1/2"
2000	219	1970	1170	2421	2437	102	506	1716	2016	2"	3"	1/2"

P.E.D. product designed and produced in conformity to the article 4.3 of directive 2014/68/UE - ErP Ecodesign directive 2009/125/CE

EXTRA-BOLLY®
CALORIFIERS

BOLLYTERM®
CALORIFIERS

STAINLESS STEEL
CALORIFIERS

CALORIFIERS FOR
HEAT PUMP

MULTIFUEL ENERGY
CYLINDERS - PUFFER

HYDRONIC

INERTIAL
TANKS

WATER PRESSURE
TANKS

COMPRESSED AIR
RECEIVERS

ACCESSORIES
AND SPARE PARTS

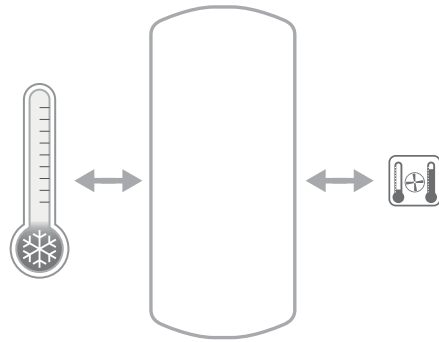
TECHNICAL
SUPPORT

ACQUA REFRIGERATA GREZZO GC 20 VT

VERTICAL CHILLED NOT TREATED WATER TANK



PRESSURE	TEMPERATURE
Pmax 6 bar	Tmax -10 / +90 °C



APPLICATION AND TECHNICAL DESCRIPTION

Storage of chilled or hot water for inverter installations. Vertical inertial water tanks are used for inverter systems in order to increase the thermal inertia and, for those installations with a low water-capacity, avoiding that the chilling generator is continually working.

MATERIAL

Storage of chilled or hot water for inverter installations.

EXTERNAL LINING

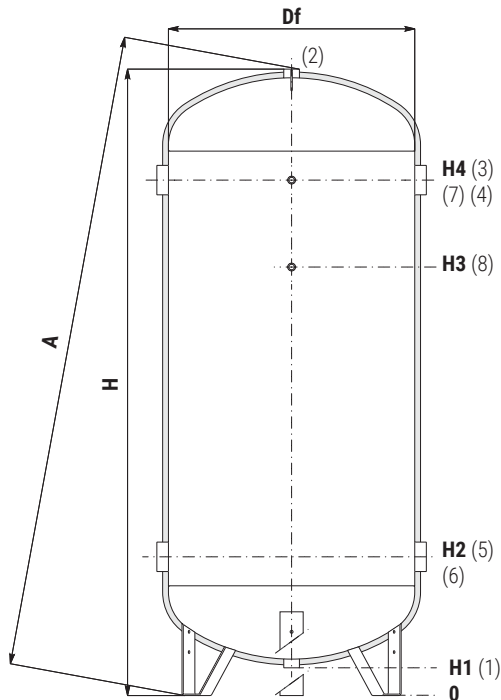
Blue PVC with plastic black caps for connections.

INSULATION

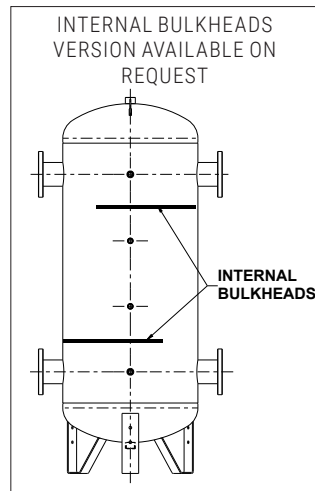
- From 100 to 5000 liters: 20 mm fixed polyethylene not subject to condensation. Not self-extinguishing version. Not removable from the tank.
- From 3000 to 5000 liters (increased insulation): 20 mm fixed polyethylene not subject to condensation joined with NOFIRE® 50 mm soft polyester fleece 100% made of recyclable material, with high Thermal insulation. Fire resistance class B-s2d0 according to EN 13501.

WARRANTY

2 years
See general sales conditions and warranty.



- 1 Drain
- 2 Safety Valve
- 3 4 5 6 To the System
- 7-8 Connection for instrumentation 1/2" Gas F

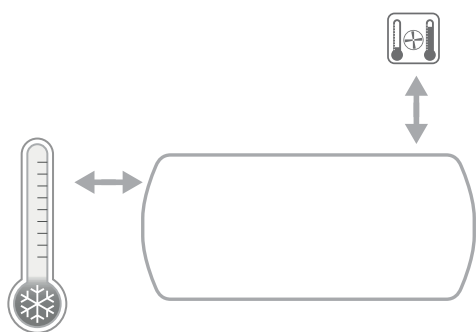


Model	ACQ. REF. GC 20 VT (20 mm Not self-stinguishing insulation)	
	Art. Nr.	
100	3001162131101	
200	3001162131102	
300	3001162131103	
500	3001162131104	
800	3001162131105	
1000	3001162131106	
1500	3001162131107	
2000	3001162131108	
2500	3001162131113	
3000	3001162131109	
4000	3001162131110	
5000	3001162131112	
Model	ACQ. REF. GC 20+50 VT (with increased insulation)	
	Art. Nr.	
3000	3001162310510	
4000	3001162310511	
5000	3001162310512	

Model	Weight	Volume	Df	H	A	H1	H2	H3	H4	1-2	3-4-5-6	7-8
	[Kg]	[litres]										
100	32	101	400	1006	1017	73	287	592	792	1"1/4	1"1/2	1/2"
200	53	190	450	1407	1415	68	297	927	1177	1"1/4	1"1/2	1/2"
300	67	292	550	1518	1529	129	404	994	1244	1"1/4	2"	1/2"
500	101	501	650	1810	1821	121	441	1241	1491	1"1/4	3"	1/2"
800	147	788	750	2108	2119	108	458	1458	1758	1"1/4	3"	1/2"
1000	170	1034	850	2162	2178	96	479	1479	1779	1"1/2	3"	1/2"
1500	183	1432	950	2351	2386	121	490	1700	2000	2"	3"	1/2"
2000	219	1970	1100	2421	2437	105	509	1719	2019	2"	3"	1/2"
2500	274	2300	1250	2289	2304	149	619	1519	1819	2"	4"	1/2"
3000	321	2908	1250	2804	2826	149	619	1919	2319	2"	4"	1/2"
4000	442	3749	1400	2878	2904	133	648	1948	2348	2"	4"	1/2"
5000	565	4964	1600	2916	2948	111	656	1956	2356	2"	4"	1/2"

ACQUA REFRIGERATA GREZZO GC 20 OR

VERTICAL CHILLED NOT TREATED WATER TANK



PRESSURE	TEMPERATURE
Pmax	Tmax
6 bar	-10 / +90 °C

APPLICATION AND TECHNICAL DESCRIPTION

Storage of chilled or hot water for inverter installations. Vertical inertial water tanks are used for inverter systems in order to increase the thermal inertia and, for those installations with a low water-capacity, avoiding that the chilling generator is continually working.

MATERIAL

Storage of chilled or hot water for inverter installations.

EXTERNAL LINING

Blue PVC with plastic black caps for connections.

INSULATION

- From 100 to 5000 liters: 20 mm fixed polyethylene not subject to condensation. Not self-extinguishing version. Not removable from the tank.
- From 3000 to 5000 liters (increased insulation): 20 mm fixed polyethylene not subject to condensation joined with NOFIRE® 50 mm soft polyester fleece 100% made of recyclable material, with high Thermal insulation. Fire resistance class B-s2d0 according to EN 13501.

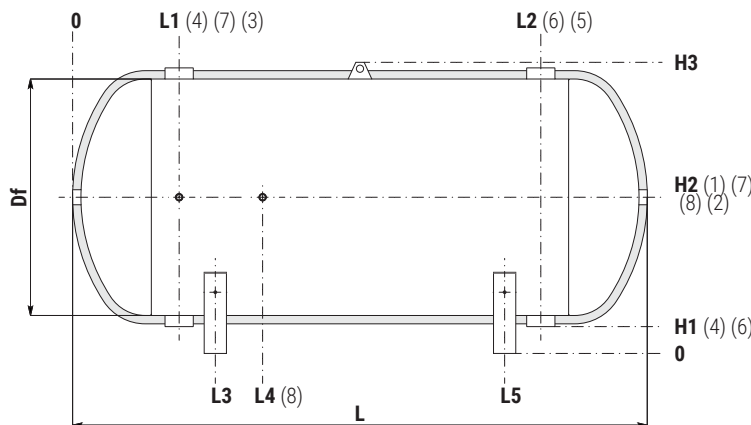
WARRANTY

2 years
See general sales conditions and warranty.

ACQ. REF. GC 20 OR
(with 20 mm not self-extinguishing insulation)

Model	Art. Nr.
100	3001161031001
200	3001161031002
300	3001161031003
500	3001161031004
800	3001161031005
1000	3001161031006
1500	3001161031007
2000	3001161031008
2500	3001161031013
3000	3001161031009
4000	3001161031010
5000	3001161031012

- 1 Drain
- 2 Safety Valve
- 3 - 4 To the System
- 5 - 6 To the System
- 7 Connection for instrumentation 1/2" Gas F
- 8 Connection for instrumentation 1/2" Gas F



Model	Weight [Kg]	Volume [litres]	Df	L	L1	L2	[mm]			H1	H2	H3	Connections Gas F			
							L3	L4	L5				1 2	3 4	5 6	7 - 8
100	32	99	400	934	215	720	290	415	645	63	293	523	1"1/4	1"1/2	1/2"	
200	53	187	450	1339	230	1110	335	480	1005	61	316	571	1"1/4	1"1/2	1/2"	
300	68	288	550	1389	275	1115	365	525	1025	115	425	760	1"1/4	2"	1/2"	
500	102	496	650	1689	320	1370	415	570	1275	107	472	857	1"1/4	3"	1/2"	
800	148	788	750	2000	350	1650	480	650	1520	101	516	951	1"1/4	3"	1/2"	
1000	170	1034	850	2066	383	1683	513	683	1553	96	561	1046	1"1/2	3"	1/2"	
1500	184	1432	950	2250	370	1880	505	670	1745	82	597	1142	2"	3"	1/2"	
2000	220	1970	1100	2320	405	1915	525	705	1795	73	663	1283	2"	3"	1/2"	
2500	284	2300	1250	2140	470	1670	620	770	1520	154	829	1524	2"	4"	1/2"	
3000	330	2908	1250	2640	470	2170	620	870	2020	154	829	1524	2"	4"	1/2"	
4000	452	3749	1400	2730	515	2215	665	915	2065	142	892	1662	2"	4"	1/2"	
5000	574	4964	1600	2790	545	2245	695	945	2095	125	975	1845	2"	4"	1/2"	

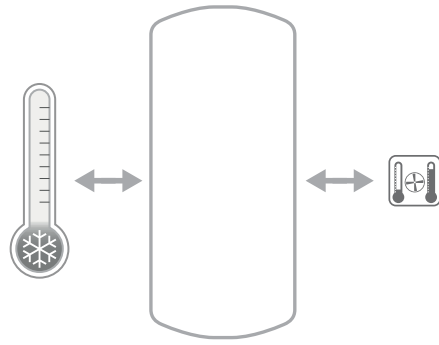
EXTRA-BOLLY® CALORIFIERS
BOLLYTERM® CALORIFIERS
STAINLESS STEEL CALORIFIERS
CALORIFIERS FOR HEAT PUMP
MULTIFUEL ENERGY CYLINDERS - PUFFER
HYDRONIC
INERTIAL TANKS
WATER PRESSURE TANKS
COMPRESSED AIR RECEIVERS
ACCESSORIES AND SPARE PARTS
TECHNICAL SUPPORT

ACQUA REFRIGERATA ZINCATO ZC 20 VT

VERTICAL GALVANIZED CHILLED WATER TANK



PRESSURE	TEMPERATURE
Pmax 6 bar	Tmax -10 / +60 °C



APPLICATION AND TECHNICAL DESCRIPTION

Storage of chilled water for air conditioning systems. Vertical chilled water tanks are used for air conditioning installations in order to increase the thermal inertia and, for those installations with a low water capacity, avoiding that the chilling generator is continually working. These tanks are made in galvanized mild steel.

EXTERNAL LINING

Blue PVC with plastic black caps for connections.

MATERIAL

These tanks are galvanized inside and outside, with immersion in a pool of fused zinc with pureness not below 99,99% (Uni EN 1179).

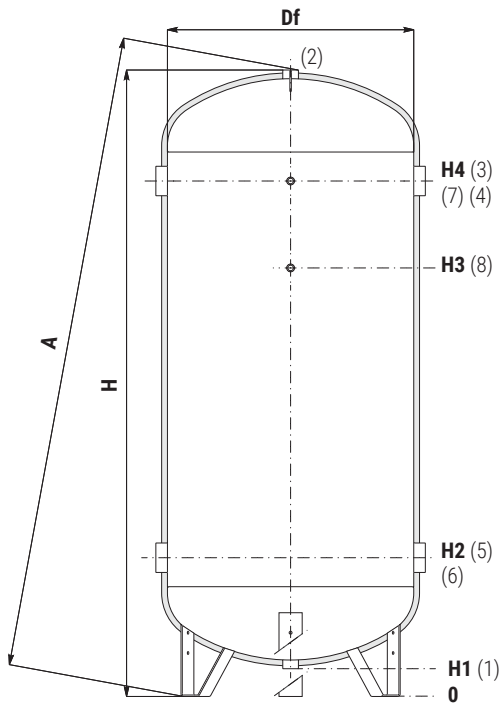
INSULATION

20 mm fixed polyethylene not subject to condensation. Not self-extinguishing version. Not removable from the tank.

20 mm not self-extinguishing insulation.

WARRANTY

2 years
See general sales conditions and warranty.



ACQ. REF. ZC 20 VT
(20 mm Not self-extinguishing insulation)

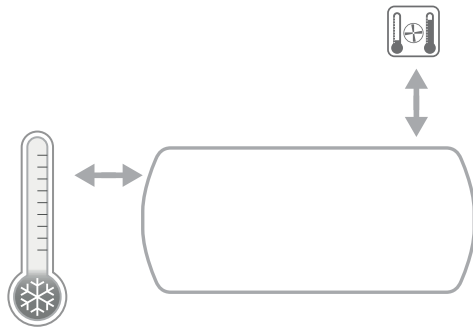
Model	Art. Nr.
100	3001162130001
200	3001162130002
300	3001162130003
500	3001162130004
800	3001162130005
1000	3001162130006
1500	3001162130107
2000	3001162130108
2500	3001162130113
3000	3001162130109
4000	3001162130110
5000	3001162130112

1	Drain
2	Safety Valve
3 - 4	To the System
5 - 6	To the System
7-8	Connection for instrumentation 1/2" Gas F

Model	Weight [Kg]	Volume [litres]	Df	H	A	H1	H2	H3	H4	1-2	3-4-5-6	7-8
						[mm]				Connections Gas F		
100	32	101	400	1006	1017	73	287	592	792	1"1/4	1"1/2	1/2"
200	53	190	450	1407	1415	68	297	927	1177	1"1/4	1"1/2	1/2"
300	67	292	550	1518	1529	129	404	994	1244	1"1/4	2"	1/2"
500	101	501	650	1810	1821	121	441	1241	1491	1"1/4	3"	1/2"
800	147	788	750	2108	2119	108	458	1458	1758	1"1/4	3"	1/2"
1000	170	1034	850	2162	2178	96	479	1479	1779	1"1/2	3"	1/2"
1500	183	1432	950	2351	2386	121	490	1700	2000	2"	3"	1/2"
2000	219	1970	1100	2421	2437	105	509	1719	2019	2"	3"	1/2"
2500	274	2300	1250	2289	2304	149	619	1519	1819	2"	4"	1/2"
3000	321	2908	1250	2804	2826	149	619	1919	2319	2"	4"	1/2"
4000	442	3749	1400	2878	2904	133	648	1948	2348	2"	4"	1/2"
5000	565	4964	1600	2916	2948	111	656	1956	2356	2"	4"	1/2"

ACQUA REFRIGERATA ZINCATO ZC 20 OR

HORIZONTAL GALVANIZED CHILLED WATER TANK



PRESSURE	TEMPERATURE
Pmax	Tmax
6 bar	-10 / +60 °C



APPLICATION AND TECHNICAL DESCRIPTION

Storage of chilled water for air conditioning systems.

Vertical chilled water tanks are used for air conditioning installations in order to increase the thermal inertia and, for those installations with a low water-capacity, avoiding that the chilling generator is continually working. These tanks are made in galvanized mild steel.

EXTERNAL LINING

Blue PVC with plastic black caps for connections.

MATERIAL

These tanks are galvanized inside and outside, with immersion in a pool of fused zinc with pureness not below 99,99% (Uni EN 1179).

INSULATION

20 mm fixed polyethylene not subject to condensation. Not self-extinguishing version. Not removable from the tank.

20 mm not self-extinguishing insulation.

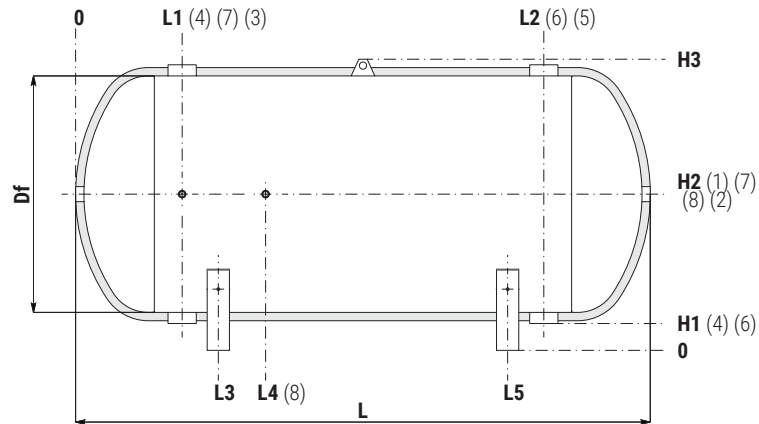
WARRANTY

2 years

See general sales conditions and warranty.

Model	ACQ. REF. ZC 20 OR (20 mm Not self-extinguishing insulation)	
	Art. Nr.	
	100	3001161030001
200	3001161030002	
300	3001161030003	
500	3001161030004	
800	3001161030005	
1000	3001161030006	
1500	3001161030107	
2000	3001161030108	
2500	3001161030113	
3000	3001161030109	
4000	3001161030110	
5000	3001161030112	

- 1** Drain
- 2** Safety Valve
- 3 - 4** To the System
- 5 - 6** To the System
- 7** Connection for instrumentation 1/2" Gas F
- 8** Connection for instrumentation 1/2" Gas F



Model	Weight	Volume	Df	L	L1	L2	L3	L4	L5	H1	H2	H3	Connections Gas F					
	[Kg]	[litres]											1	2	3	4	5	6
100	32	99	400	934	215	720	290	415	645	63	293	523	1"1/4	1"1/2	1/2"			
200	53	187	450	1339	230	1110	335	480	1005	61	316	571	1"1/4	1"1/2	1/2"			
300	68	288	550	1389	275	1115	365	525	1025	115	425	760	1"1/4	2"	1/2"			
500	102	496	650	1689	320	1370	415	570	1275	107	472	857	1"1/4	3"	1/2"			
800	148	788	750	2000	350	1650	480	650	1520	101	516	951	1"1/4	3"	1/2"			
1000	170	1034	850	2066	383	1683	513	683	1553	96	561	1046	1"1/2	3"	1/2"			
1500	184	1432	950	2250	370	1880	505	670	1745	82	597	1142	2"	3"	1/2"			
2000	220	1970	1100	2320	405	1915	525	705	1795	73	663	1283	2"	3"	1/2"			
2500	284	2300	1250	2140	470	1670	620	770	1520	154	829	1524	2"	4"	1/2"			
3000	330	2908	1250	2640	470	2170	620	870	2020	154	829	1524	2"	4"	1/2"			
4000	452	3749	1400	2730	515	2215	665	915	2065	142	892	1662	2"	4"	1/2"			
5000	574	4964	1600	2790	545	2245	695	945	2095	125	975	1845	2"	4"	1/2"			

P.E.D. product designed and produced in conformity to the article 4.3 of directive 2014/68/UE - ErP Ecodesign directive 2009/125/CE

EXTRA-BOLLY®
CALORIFIERS

BOLLYTERM®
CALORIFIERS

STAINLESS STEEL
CALORIFIERS

CALORIFIERS FOR
HEAT PUMP

MULTIFUEL ENERGY
CYLINDERS - PUFFER

HYDRONIC

INERTIAL
TANKS

WATER PRESSURE
TANKS

COMPRESSED AIR
RECEIVERS

ACCESSORIES
AND SPARE PARTS

TECHNICAL
SUPPORT

AUTOCLAVE ZINCATA Z PED VT

CERTIFIED VERTICAL GALVANIZED PRESSURE VESSEL (STANDARD 2014/68/UE)



PRESSURE	TEMPERATURE
Pmax	Tmax
[vedi tabella]	-10 / +50 °C

Model	AUTOCL. Z VT Art. Nr.	Working Pressure [Bar]
100	3052171990001	8
200	3052171990022	
300	3052171990003	
500	3052171990004	
750	3052171990025	
1000	3052171990026	
1500	3051171990015	
2000	3051171990016	
2500	3051171990017	
3000	3051171990068	
4000	3051171990019	
5000 ø1450	3051171990020	
5000 ø1600	3051172020007	
8000	3051172020011	
10000	3051172020012	

Model	AUTOCL. Z VT Art. Nr.	Working Pressure [Bar]
100	3052171990015	11,76
200	3051171990074	
300	3051171990025	
500	3051171990026	
750	3051171990077	
1000	3051171990078	12
1500	3051171990029	
2000	3051171990030	
2500	3051171990031	
3000	3051171990082	
4000	3051172020008	
5000 ø1450	3051172020004	
8000	3051172020013	
10000	3051172020014	

Models from 100 to 1000 are provided with the security valve and the pressure gauge.
Models 5000 (ø1600), 8000 and 10000 are provided with the manhole.

Models from 100 and 500 are provided with security valve and the pressure gauge.
Models from 4000 to 10000 are provided with the manhole.

APPLICATION AND TECHNICAL DESCRIPTION

Air cushion pressure vessels. Suitable to supply water to the highest floors of the buildings and to compensate for the water shortage of the water-works. The air cushion pressure vessels Z PED VT are made for the water pumping and they work as a pressurized water lung that, if correctly dimensioned, can limit the self-starting of the pump. These products are made in galvanized mild steel.

ANTI-CORROSION TREATMENT

These tanks are galvanized inside and outside, with immersion in a pool of fused zinc with purity not below 99,99% (Uni EN 1179)

DOCUMENTS ATTACHED

- CE certification
- User Instructions

CERTIFICATIONS

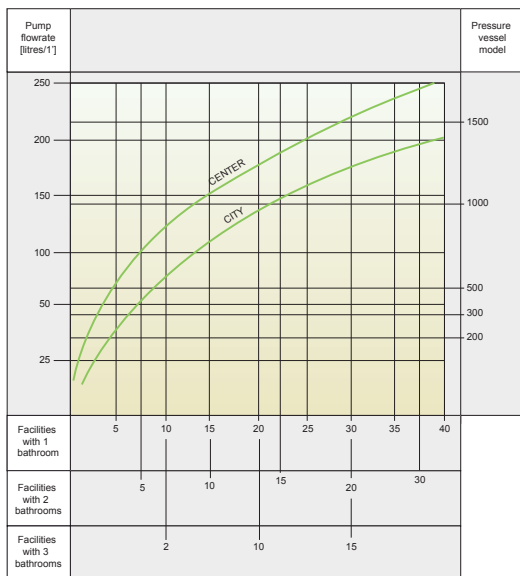
The Z PED VT pressure vessels are made according to the security policy of the standard 2014/68/UE that rules the pressurized products. Under surveillance of the Notified Body, a CE mark is stuck on them as well as the following project data that characterize the product:

- Pressurized fluid: water + air or nitrogen
- Fluid group: 2
- Max operating pressure: see the table chart
- Temperature: -10/+50 °C

WARRANTY

2 years
See general sales conditions and warranty.

To quickly determine both the capacity of the pressure vessel and the pump according to the number of the flats, you can use the following chart (always valid for 15 self-starting):



AUTOCLAVE Z PED OR

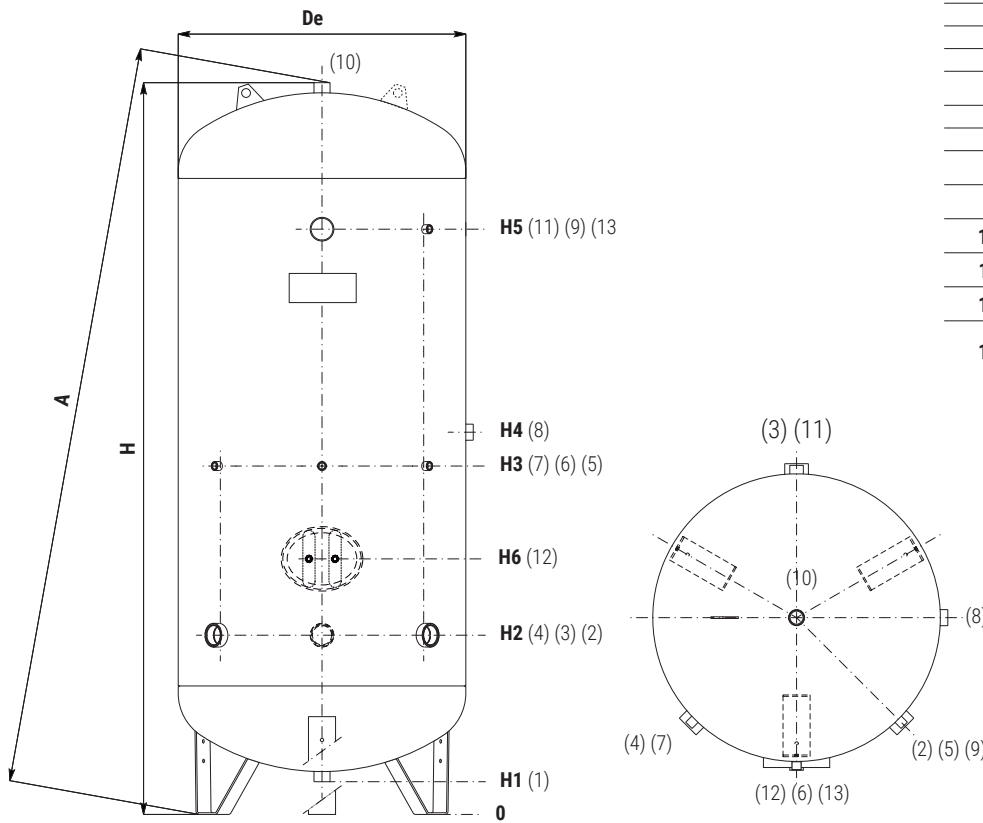
CERTIFIED HORIZONTAL GALVANIZED PRESSURE VESSEL



Model	AUTOCL. Z OR Art. Nr.	Press. max [Bar]	Model	AUTOCL. Z OR Art. Nr.	Press. max [Bar]
100	3052170990001	8	100	3052170990015	11,76
200	3052170990022				
300	3052170990003				
500	3052170990004				
750	3052170990025				
1000	3052170990026		12		
1500	3051170990015				
2000	3051170990016				
3000	3051170990068				
4000	3051170990019				
5000	3051170990020				
1000	3051170990078				
1500	3051170990040				
2000	3051170990030				
2500	3051170990041				
3000	3051170990082				
4000	3051170990042				
5000	3051170990044				

AUTOCLAVE ZINCATA Z PED VT

CERTIFIED VERTICAL GALVANIZED PRESSURE VESSEL (STANDARD 2014/68/UE)



- 1** Drain
- 2**
- 3** Supply - Use
- 4**
- 5** Visual level indicator
- 6** Control features
- 7**
- 8** Level switch - Pressure switch
- 9** Visual level indicator
- 10** Safety Valve
- 11** Level switch - Pressure switch
- 12** Manhole 400 x 300 (if required)
- 13** Instrumentation 2" (only on 8000-10000 Lt)



Model	De	H	A	H1	H2	H3	H4	H5	H6	1-10	2-3-4	11	5-6-7-9	8
										Connections Gas F				
										[mm]				

WORKING PRESSURE 8 bar	100	400	1055	1065	90	350	500	600	800	-	1"1/4	1"	-	1/2"	1" 1/4
	200	450	1420	1435	85	355	655	755	1155	-	1"1/4	1"	-	1/2"	1" 1/4
	300	550	1530	1555	140	435	735	835	1235	-	1"1/4	1" 1/4	-	1/2"	1" 1/4
	500	650	1825	1840	135	455	855	955	1505	-	1"1/4	1" 1/2	-	1/2"	1" 1/4
	750	790	1865	1880	115	515	965	1065	1465	-	1"1/4	1" 1/2	-	1/2"	1" 1/4
	1000	790	2380	2395	110	520	1020	1120	1920	-	1"1/4	1" 1/2	-	1/2"	1" 1/4
	1500	950	2470	2490	115	570	1070	1170	2020	-	2"	2"	-	1/2"	1" 1/4
	2000	1100	2535	2560	100	595	1095	1195	2045	-	2"	2"	-	1/2"	1" 1/4
	2500	1200	2660	2690	140	680	1280	1380	2130	-	2"	3"	-	1/2"	1" 1/4
	3000	1200	3000	3075	135	720	1320	1420	2420	-	2"	3"	-	1/2"	2"
	4000	1450	3000	3030	115	710	1310	1410	2410	-	2"	3"	2"	1/2"	2"
	5000	1450	3500	3525	115	710	1610	1710	2910	-	2"	3"	2"	1/2"	2"
5000	1600	3050	3090	100	725	1325	1425	2425	1025	2"	3"	2"	1/2"	2"	

Models from 100 to 1000 are provided with security valve and pressure gauge. Models 5000 (Ø1600), 8000 and 10000 are provided with the manhole.

WORKING PRESSURE	11,76 bar	100	400	1055	1065	90	350	500	600	800	-	1"1/4	1"	-	1/2"	1" 1/4
		200	450	1420	1435	85	355	655	755	1155	-	1"1/4	1"	-	1/2"	1" 1/4
		300	550	1530	1540	140	435	735	835	1235	-	1"1/4	1" 1/4	-	1/2"	1" 1/4
		500	650	1825	1840	135	455	855	955	1505	-	1"1/4	1" 1/2	-	1/2"	1" 1/4
		750	790	1865	1880	115	515	965	1065	1465	-	1"1/4	1" 1/2	-	1/2"	1" 1/4
		1000	790	2380	2395	110	520	1020	1120	1920	-	1"1/4	1" 1/2	-	1/2"	1" 1/4
	12 bar	1500	950	2490	2515	115	570	1070	1170	2020	-	2"	2"	-	1/2"	1" 1/4
		2000	1100	2535	2560	100	595	1095	1195	2045	-	2"	2"	-	1/2"	1" 1/4
		2500	1200	2660	2690	140	680	1280	1380	2130	-	2"	3"	-	1/2"	1" 1/4
		3000	1200	3000	3075	135	720	1320	1420	2420	-	2"	3"	-	1/2"	2"
		4000	1450	3000	3030	115	710	1310	1410	2410	1011	2"	3"	2"	1/2"	2"
		5000	1450	3500	3525	115	710	1610	1710	2910	1165	2"	3"	2"	1/2"	2"

Models from 100 to 500 are provided with security valve and pressure gauge. Models from 4000 to 10000 Lt are provided with the manhole.

AUTOCLAVE INOX X PED VT

CERTIFIED VERTICAL 316L STAINLESS STEEL PRESSURE VESSEL (DIRECTIVE 2014/68/UE)



HORIZONTAL VERSION



PRESSURE	TEMPERATURE
Pmax 8 bar	Tmax -10 / +50 °C

AUTOCL. X PED VT	
Model	Art. Nr.
100	3051052010001
200	3051052010002
300	3051052010003
500	3051052010004
750	3051052010005
1000	3051052010006
1500	3051052010007
2000	3051052010008
3000	3051052010009
4000	3051052010010
5000	3051052010011

AUTOCL. X PED OR	
Model	Art. Nr.
100	3051051010001
200	3051051010002
300	3051051010003
500	3051051010004
750	3051051010005
1000	3051051010006
1500	3051051010007
2000	3051051010008
3000	3051051010009
4000	3051051010010
5000	3051051010011

APPLICATION AND TECHNICAL DESCRIPTION

Air cushion pressure vessels.

Suitable to supply water to the highest floor of the buildings and to compensate for the water shortage of the water-works.

The air cushion pressure vessels X PED VT are made for the water pumping and they work as a pressured water lung that, if correctly dimensioned, can limit the self-starting of the pump. These products are entirely made in 316L stainless steel.

DOCUMENTS ATTACHED

- CE certification
- User Instructions

CERTIFICATIONS

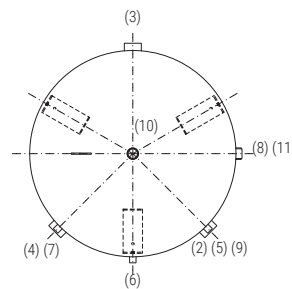
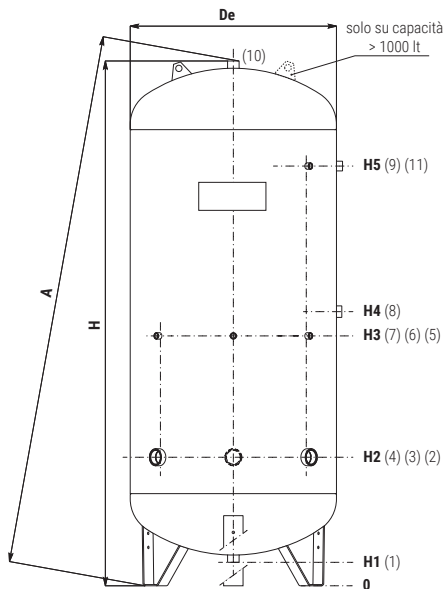
The X PED VT pressure vessels are made according to the security policy of the standard 2014/68/UE that rules the pressurized products. Under surveillance of the Notified Body, a CE mark is stuck on them as well as the following project data that characterize the product:

- Pressurized fluid: water + air or nitrogen
- Fluid group: 2
- Max operating pressure: see the table chart
- Temperature: -10/+50 °C

WARRANTY

2 years

See general sales conditions and warranty.



1	Drain
2-3-4	Input - use
5	Visual level indicator
6-7	Control elements
8	Level switch - Pressure switch
9	Visual level indicator
10	Safety Valve
11	Level switch - Pressure switch



Model	De	H	A	H1	H2	H3	H4	H5	1-8-10	2-3-4	5-6-7-9	11
[mm]												
										Connections Gas F		
100	400	1071	1095	97	372	522	622	797	1" 1/4	1"	1/2"	-
200	450	1459	1490	70	365	665	765	1165	1" 1/4	1"	1/2"	-
300	550	1554	1585	135	445	745	845	1245	1" 1/4	1" 1/4	1/2"	-
500	650	1847	1880	127	462	862	962	1512	1" 1/4	1" 1/2	1/2"	1"
750	750	2133	2170	103	518	968	1068	1718	1" 1/4	2"	1/2"	1"
1000	850	2633	2665	103	518	1168	1268	2218	1" 1/4	2"	1/2"	1"
1500	1000	2295	2350	105	600	1100	1200	1800	1" 1/4	2"	1/2"	1"
2000	1000	2795	2840	105	600	1250	1350	2300	1" 1/4	2"	1/2"	1"
3000	1250	2880	2955	110	645	1245	1345	2345	1" 1/4	3"	1/2"	1"
4000	1450	2973	3070	84	679	1279	1379	2379	1" 1/4	3"	1/2"	1"
5000	1450	3473	3555	84	679	1579	1679	2879	1" 1/4	3"	1/2"	1"

SERBATOIO INOX X SC VT

VERTICAL 316L STAINLESS STEEL TANK FOR PRESSURIZED COLD WATER STORAGE



Model SERB. X SC VT

Model	Art. Nr.
100	3251012010001
200	3251012010002
300	3251012010003
500	3251012010004
1000	3251012010006
1500	3251012010007
2000	3251012010008
2500	3251012010009
3000	3251012010010
4000	3251012010011
5000φ1600	3251012010013



PRESSURE	TEMPERATURE
Pmax	Tmax
6 bar	0 / +50 °C

APPLICATION AND TECHNICAL DESCRIPTION

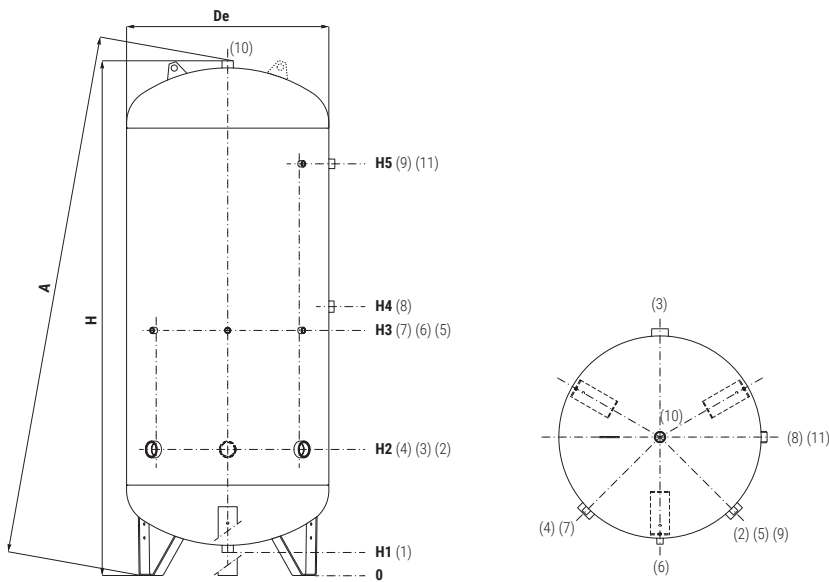
Pressurized cold water storage. Tanks for pressurized water storage are designed for those water systems that need to store pressurized cold water. They cannot work as pressure vessels. These products are made in AISI 304 Stainless steel.

MATERIAL

AISI 304 Stainless steel suitable for drinkable water according to D.M. n.174 dated 06.04.04.

WARRANTY

2 years
See general sales conditions and warranty.



- 1 Drain
- 2
- 3 Input - use
- 4
- 5
- 6
- 7 Instrumentation
- 8
- 9
- 11 Safety Valve

Model	De	H	A	H1	H2	H3	H4	H5	Connections Gas F			
									1-8-10	2-3-4	5-6-7-9	
100	400	1026	1040	82	341	491	581	766	1" 1/4	1"	1/2"	-
200	450	1417	1430	77	347	547	747	1147	1" 1/4	1"	1/2"	-
300	550	1529	1545	139	434	734	834	1234	1" 1/4	1" 1/4	1/2"	-
500	650	1821	1835	131	451	851	951	1501	1" 1/4	1" 1/2	1/2"	-
1000	850	2163	2180	97	530	1030	1130	1730	1" 1/4	2"	1/2"	1"
1500	1000	2260	2285	100	580	1040	1180	1780	1" 1/4	2"	1/2"	1"
2000	1000	2760	2780	100	580	1080	1430	2280	1" 1/4	2"	1/2"	1"
2500	1200	2628	2655	118	648	1198	1373	2098	1" 1/4	3"	1/2"	1"
3000	1250	2875	2905	116	645	1295	1395	2345	1" 1/4	3"	1/2"	1"
4000	1450	2970	3005	90	710	1330	1530	2380	1" 1/4	3"	1/2"	1"
5000 φ1600	1600	3005	3045	69	717	1337	1537	2387	1" 1/4	3"	1/2"	1"

P.E.D. product designed and produced in conformity to the article 4.3 of directive 2014/68/UE - ErP Ecodesign directive 2009/125/CE

EXTRA-BOLLY® CALORIFIERS

BOLLYTERM® CALORIFIERS

STAINLESS STEEL CALORIFIERS

CALORIFIERS FOR HEAT PUMP

MULTIFUEL ENERGY CYLINDERS - PUFFER

HYDRONIC

INERTIAL TANKS

WATER PRESSURE TANKS

COMPRESSED AIR RECEIVERS

ACCESSORIES AND SPARE PARTS

TECHNICAL SUPPORT

SERBATOIO ZINCATO Z SC VT

VERTICAL GALVANIZED TANK FOR PRESSURIZED COLD WATER STORAGE



PRESSURE	TEMPERATURE
Pmax 6 bar	Tmax 0 / +50 °C



Model	SERB. Z SC VT
Art. Nr.	
50	3251161990001
100	3251161990002
200	3251161990003
300	3251161990004
500	3251161990005
750	3251161990006
1000	3251161990007
1500	3251161990008
2000	3251161990009

APPLICATION AND TECHNICAL DESCRIPTION

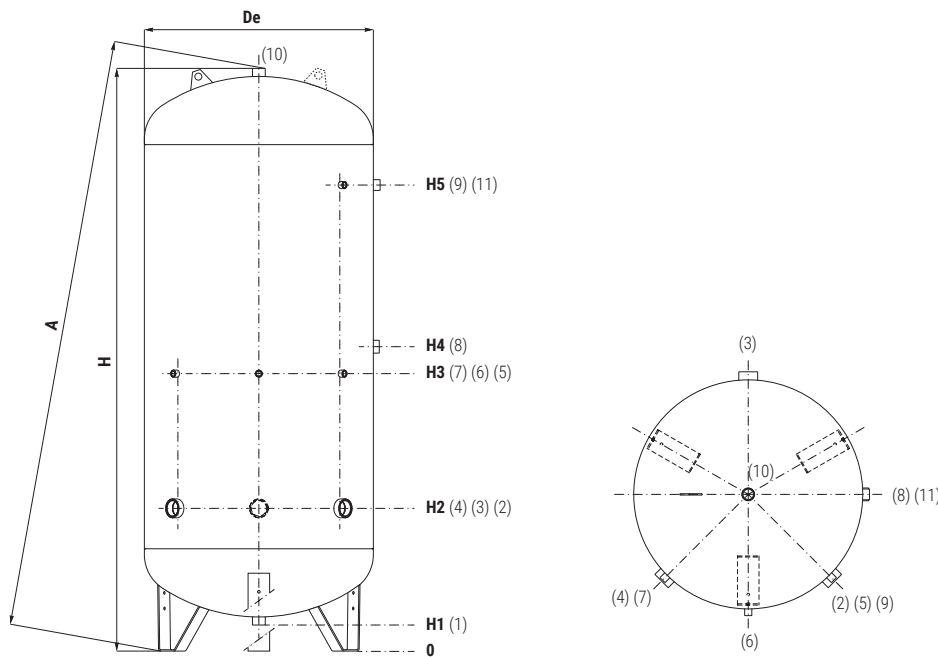
Pressurized cold water storage.
Tanks for pressurized water storage are designed for those water systems that need to store pressurized cold water. They cannot work as pressure vessels. These products are made in galvanized mild steel.

MATERIAL

These tanks are galvanized inside and outside, with immersion in a pool of fused zinc with pureness not below 99,99% (Uni EN 1179)

WARRANTY

2 years
See general sales conditions and warranty.



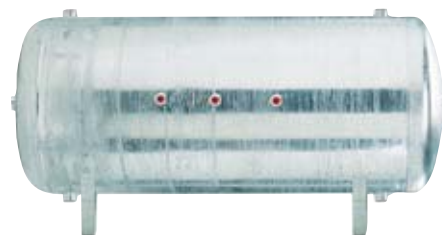
1	Drain
2	Input - use
3	
4	
5	Instrumentation
6	
7	
8	
9	
10	Safety Valve

Model	De	H	A	H1	H2	H3	H4	H5	1-10	2-3-4	5-6-7-9	8
[mm]												
										Connections Gas F		
50	400	602	635	82	237	327	-	-	1"	1"	1/2"	-
100	400	1007	1020	73	327	477	567	752	1" 1/4	1"	1/2"	1" 1/4
200	450	1407	1420	68	337	537	737	1137	1" 1/4	1"	1/2"	1" 1/4
300	550	1519	1530	129	424	724	824	1224	1" 1/4	1" 1/4	1/2"	1" 1/4
500	650	1811	1825	121	441	841	941	1491	1" 1/4	1" 1/2	1/2"	1" 1/4
750	750	2108	2125	108	508	958	1058	1708	1" 1/4	1" 1/2	1/2"	1" 1/4
1000	850	2162	2180	96	529	979	1079	1729	1" 1/2	1" 1/2	1/2"	1" 1/4
1500	950	2473	2495	113	568	1068	1168	2018	2"	2"	1/2"	1" 1/4
2000	1100	2544	2570	95	594	1094	1194	2044	2"	2"	1/2"	1" 1/4

SERBATOIO ZINCATO Z SC OR

HORIZONTAL GALVANIZED TANK FOR PRESSURIZED COLD WATER STORAGE

Model	SERB. Z SC OR
	Art. Nr.
100	3251160990001
200	3251160990002
300	3251160990003
500	3251160990004
750	3251160990005
1000	3251160990006
1500	3251160990007
2000	3251160990008



PRESSURE	TEMPERATURE
Pmax	Tmax
6 bar	0 / +50 °C

APPLICATION AND TECHNICAL DESCRIPTION

Pressurized cold water storage.
Tanks for pressurized water storage are designed for those water systems that need to store pressurized cold water. They cannot work as pressure vessels. These products are made in galvanized mild steel.

MATERIAL

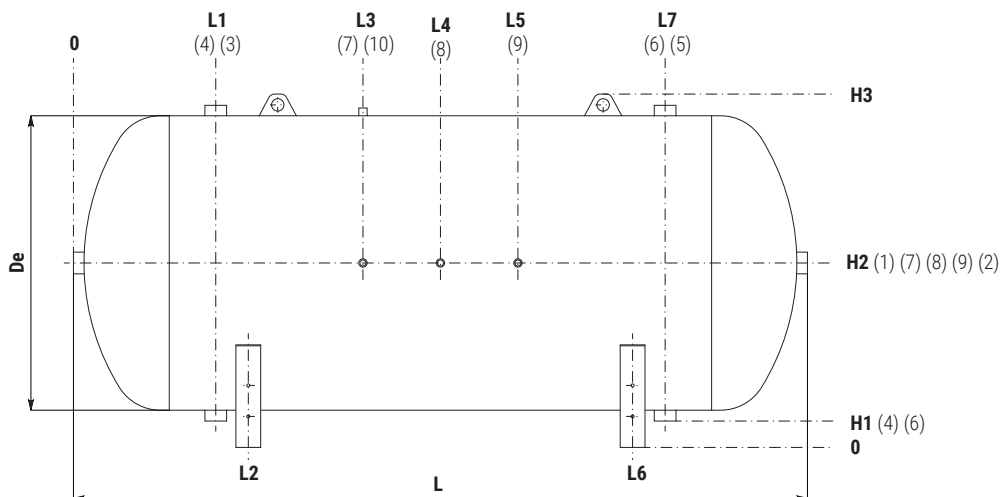
These tanks are galvanized inside and outside, with immersion in a pool of fused zinc with purity not below 99,99% (Uni EN 1179)

WARRANTY

2 years
See general sales conditions and warranty.

P.E.D. product designed and produced in conformity to the article 4.3 of directive 2014/68/UE - ErP Ecodesign directive 2009/125/CE

- 1 Drain
- 2
- 3 Safety Valve/Instrumentation
- 5
- 4 Input - use
- 6
- 7
- 8 Instrumentation
- 9
- 10



Model	De	L	L1	L2	L3	L4	L5	L6	L7	H1	H2	H3	Connections Gas F			
													1-2	3-5	4-6	7-8-9-10
100	400	955	230	300	338	478	618	655	725	69	294	518	1" 1/4	1"	1"	1/2"
200	450	1350	240	340	475	675	875	1010	1110	67	317	568	1" 1/4	1"	1"	1/2"
300	550	1399	285	370	500	700	900	1030	1115	119	424	762	1" 1/4	1" 1/4	1" 1/4	1/2"
500	650	1700	325	420	650	850	1050	1280	1375	115	470	870	1" 1/4	1" 1/2	1" 1/2	1/2"
750	750	2010	355	485	805	1005	1205	1525	1655	108	513	948	1" 1/4	1" 1/2	1" 1/2	1/2"
1000	850	2060	380	510	830	1030	1230	1550	1680	102	557	1042	1" 1/2	1" 1/2	1" 1/2	1/2"
1500	950	2368	460	565	935	1185	1435	1805	1910	85	595	1140	2"	2"	2"	1/2"
2000	1100	2450	500	590	975	1225	1475	1860	1950	72	657	1277	2"	2"	2"	1/2"

EXTRA-BOLLY® CALORIFIERS
 BOLLYTERM® CALORIFIERS
 STAINLESS STEEL CALORIFIERS
 CALORIFIERS FOR HEAT PUMP
 MULTIFUEL ENERGY CYLINDERS - PUFFER
 HYDRONIC
 INERTIAL TANKS
 WATER PRESSURE TANKS
 COMPRESSED AIR RECEIVERS
 ACCESSORIES AND SPARE PARTS
 TECHNICAL SUPPORT

VASO A MEMBRANA VERNICIATO PED VT

VERTICAL PAINTED EXPANSION VESSEL WITH MEMBRANE (DIRECTIVE 2014/68/UE)



Model VASO MEMB. V PED VT

	Art. Nr.
50	3911162241007
80	3911162241008
100	3911162241003
200	3911162241004
300	3911162241005
500	3911162241006



TECHNICAL DESCRIPTION

Vertical V PED expansion vessels with membrane are used for lifted water system and they represent a pressurised water lung that, if duly dimensioned, reduces pump cycling.

The peculiarity of this product is the physic separation between water and air made by the membrane.

APPLICATION

Perfect to ensure water deliveries to the top floors of the building or to work in case of insufficient water supplied by waterworks, or to stabilize pressure in the domestic water supply by absorbing expansion when the water is heated.

MATERIAL

Painted mild steel.

MEMBRANE

Elastic EPDM membrane suitable for drinking water.

CERTIFICATIONS

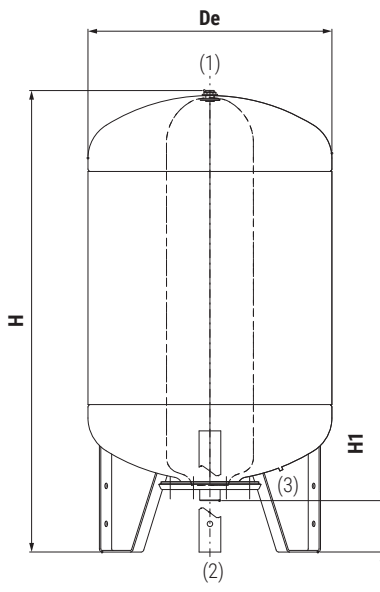
V PED VT expansion vessels with membrane are produced in accordance with safety disposal of European Directive 2014/68/UE in terms of pressurized.

They are CE labelled with design data:

- pressurized fluid: water+air or nitrogen
- Fluid group: 2
- max. working pressure: 10bar

DOCUMENTS ATTACHED

- CE certification
- User Instructions



Model	De [mm]	H [mm]	H1 [mm]	Connections			Working condition	
				1	2	3	Temp. min/max [°C]	Press. max [bar]
50	400	627	91	Air inlet valve	1" M	-	-10/+99	10
80	450	717	88		1" M	Water in/out	-	-10/+99
100	450	872	88	1/2" Instrumentation	1" M	Air inlet valve	-10/+99	10
200	550	1187	151	1/2" Instrumentation	1" 1/4 F		-10/+99	10

Model	De [mm]	H [mm]	H1 [mm]	Connections			Used as air cushion pressure vessels		Used as expansion vessel	
				1	2	3	Temp. min/max [°C]	Press. max [bar]	Temp. min/max [°C]	Press. max [bar]
300	650	1254	150	1/2" Instrumentation	1" 1/4 F	Water in/out	-10/+50	10	-10/+99	6
500	750	1511	144	1/2" Instrumentation	1" 1/4 F	Air inlet valve	-10/+50	10	-10/+99	6

VASO A MEMBRANA VERNICIATO PED 24 LT

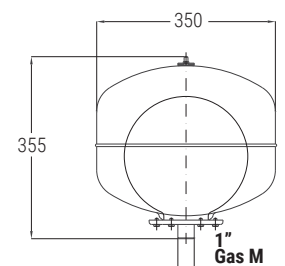
PAINTED EXPANSION VESSEL WITH MEMBRANE (DIRECTIVE 2014/68/UE)



PRESSURE	TEMPERATURE
Pmax 8 bar	Tmax -10/+99 °C



Model	Art. Nr.
VASO MEMB. V PED 24 LT	
24	3901190610001



VASO A MEMBRANA VERNICIATO PED OR

HORIZONTAL PAINTED EXPANSION VESSEL WITH MEMBRANE (DIRECTIVE 2014/68/UE)

Model VASO MEMB. V PED OR

	Art. Nr.
50	3911161341007
80	3911161341008
100	3911161341003
200	3911161341004
300	3911161341005



TECHNICAL DESCRIPTION

Horizontal V PED expansion vessels with membrane are used for lifted water system and they represent a pressurised water lung that, if duly dimensioned, reduces pump cycling.

The peculiarity of this product is the physic separation between water and air made by the membrane.

APPLICATION

Perfect to ensure water deliveries to the top floors of the building or to work in case of insufficient water supplied by waterworks, or to stabilize pressure in the domestic water supply by absorbing expansion when the water is heated.

MATERIAL

Painted mild steel.

MEMBRANE

Elastic EPDM membrane suitable for drinking water.

CERTIFICATIONS

V PED OR expansion vessels with membrane are produced in accordance with safety disposal of European Directive 2014/68/UE in terms of pressurized.

They are CE labelled with design data:

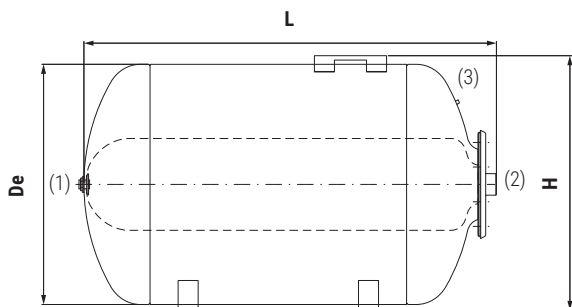
- pressurized fluid: water+air or nitrogen

- Fluid group: 2

- max. working pressure: 10bar

DOCUMENTS ATTACHED

- CE certification
- User Instructions

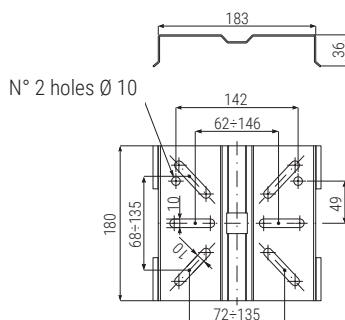


Model	De [mm]	H [mm]	H1 [mm]	Connections Gas			Working condition	
				1	2	3	Temp. min/max [°C]	Press. max [bar]
50	400	424	583	Air inlet valve	1" M	-	-10/+99	10
80	450	473	598					
100	450	473	783	1/2" Instrumentation	1" M	Air inlet valve	-10/+99	10
200	550	583	1066					

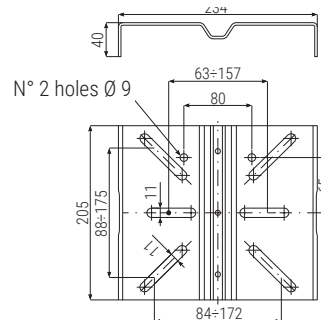
Model	De [mm]	H [mm]	H1 [mm]	Connections Gas			Used as cushion pressure vessels		Used as expansion vessel		
				1	2	3	Temp. min/max [°C]	Press. max [bar]	Temp. min/max [°C]	Press. max [bar]	
300	650	807	1080	1/2" Instrumentation	1" 1/4 F	Water in/out	Air inlet valve	-10/+50	10	-10/+99	6

MOTOR SUPPORT PLATE

MOTOR SUPPORT PLATE
50/80/100/200 liters



MOTOR SUPPORT PLATE
300/500 liters



EXTRA-BOLLY®
CALORIFIERS

BOLLYTERM®
CALORIFIERS

STAINLESS STEEL
CALORIFIERS

CALORIFIERS FOR
HEAT PUMP

MULTIFUEL ENERGY
CYLINDERS - PUFFER

HYDRONIC

INERTIAL
TANKS

WATER PRESSURE
TANKS

COMPRESSED AIR
RECEIVERS

ACCESSORIES
AND SPARE PARTS

TECHNICAL
SUPPORT

VASO A MEMBRANA ZINCATO PED VT

VERTICAL GALVANIZED EXPANSION VESSEL WITH MEMBRANE (DIRECTIVE 2014/68/UE)



Model VASO MEMB. Z PED VT

	Art. Nr.
50	3911161991007
80	3911161991008
100	3911161991003
200	3911161991004
300	3911161991005
500	3911161991006



TECHNICAL DESCRIPTION

Vertical Z PED expansion vessels with membrane are used for lifted water system and they represent a pressurised water lung that, if duly dimensioned, reduces pump cycling.

The peculiarity of this product is the physic separation between water and air made by the membrane.

APPLICATION

Perfect to ensure water deliveries to the top floors of the building or to work in case of insufficient water supplied by waterworks, or to stabilize pressure in the domestic water supply by absorbing expansion when the water is heated.

MATERIAL

External lining: galvanized mild steel.

MEMBRANE

Elastic EPDM foodstuff membrane suitable for drinking water.

CERTIFICATIONS

Z PED VT expansion vessels with membrane are produced in accordance with safety disposal of European Directive 2014/68/UE in terms of pressurized.

They are CE labelled with design data:

- pressurized fluid: water+air or nitrogen

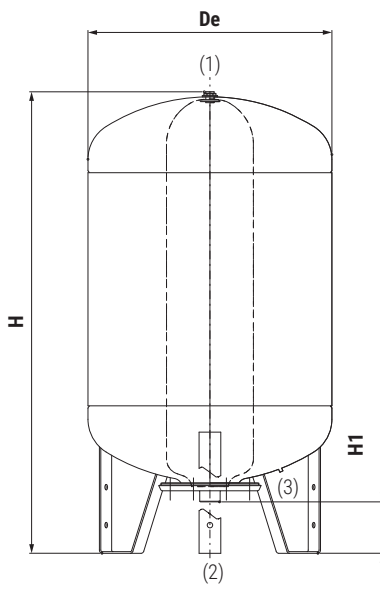
- Fluid group: 2

- max. working pressure: 10bar

DOCUMENTS ATTACHED

• CE certification

• User Instructions



Model	De [mm]	H [mm]	H1 [mm]	Connections Gas			Working condition		
				1	2	3	Temp. min/max [°C]	Press. max [bar]	
50	400	627	91	Air inlet valve	1" M	Water in/out	-	-10/+99	10
80	450	717	88		1" M		-	-10/+99	10
100	450	872	88	1/2" Instrumentation	1" M	Air inlet valve	-	-10/+99	10
200	550	1187	151	1/2" Instrumentation	1" 1/4 F		-10/+99	10	

Model	De [mm]	H [mm]	H1 [mm]	Connections Gas			Used as air cushion pressure vessels		Used as expansion vessel		
				1	2	3	Temp. min/max [°C]	Press. max [bar]	Temp. min/max [°C]	Press. max [bar]	
300	650	1254	150	1/2" Instrumentation	1" 1/4 F	Water in/out	Air inlet valve	-10/+50	10	-10/+99	6
500	750	1511	144		1" 1/4 F			-10/+50	10	-10/+99	6

VASO A MEMBRANA ZINCATO PED 24 LT

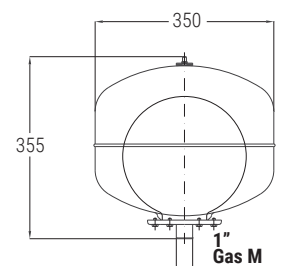
GALVANIZED EXPANSION VESSEL WITH MEMBRANE (DIRECTIVE 2014/68/UE)



PRESSURE	TEMPERATURE
Pmax 8 bar	Tmax -10/+99 °C



Model	VASO MEMB. Z PED 24 LT
	Art. Nr.
24	3901190600001



VASO A MEMBRANA ZINCATO PED OR

HORIZONTAL GALVANIZED EXPANSION VESSEL WITH MEMBRANE (DIRECTIVE 2014/68/UE)

Model VASO MEMB. Z PED OR

	Art. Nr.
50	3911160991007
80	3911160991008
100	3911160991003
200	3911160991004
300	3911160991005
500	3911160991006



TECHNICAL DESCRIPTION

Horizontal Z PED expansion vessels with membrane are used for lifted water system and they represent a pressurised water lung that, if duly dimensioned, reduces pump cycling.

The peculiarity of this product is the physic separation between water and air made by the membrane.

APPLICATION

Perfect to ensure water deliveries to the top floors of the building or to work in case of insufficient water supplied by waterworks, or to stabilize pressure in the domestic water supply by absorbing expansion when the water is heated.

MATERIAL

External lining: galvanized mild steel.

MEMBRANE

Elastic EPDM foodstuff membrane suitable for drinking water.

CERTIFICATIONS

Z PED OR expansion vessels with membrane are produced in accordance with safety disposal of European Directive 2014/68/UE in terms of pressurized.

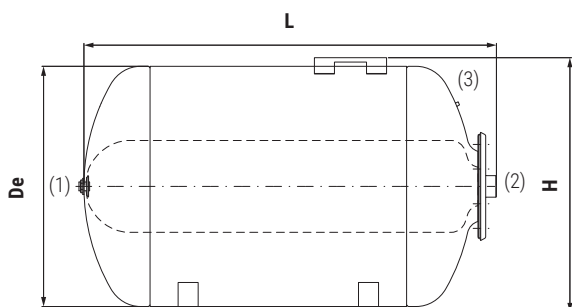
They are CE labelled with design data:

- pressurized fluid: water+air or nitrogen
- Fluid group: 2

- max. working pressure: 10bar

DOCUMENTS ATTACHED

- CE certification
- User Instructions



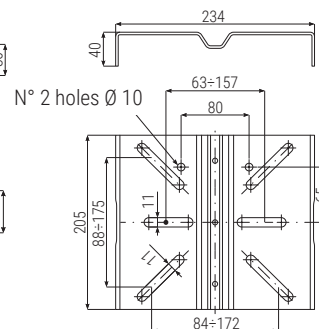
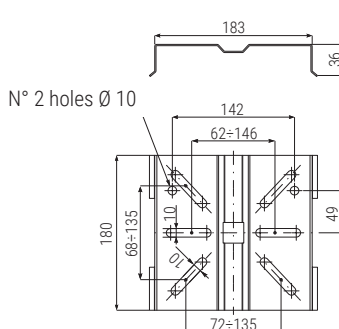
Model	De [mm]	H [mm]	H1 [mm]	Connections Gas			Working condition	
				1	2	3	Temp. min/max [°C]	Press. max [bar]
50	400	424	583	Air inlet valve	1" M	-	-10/+99	10
80	450	473	598		1" M	Water in/out	-	-10/+99
100	450	473	783	1/2" Instrumentation	1" M		Air inlet valve	-10/+99
200	550	583	1066	1/2" Instrumentation	1" 1/4 F		-10/+99	10

Model	De [mm]	H [mm]	H1 [mm]	Connections Gas			Used as cushion pressure vessels		Used as expansion vessel		
				1	2	3	Temp. min/max [°C]	Press. max [bar]	Temp. min/max [°C]	Press. max [bar]	
300	650	807	1080	1/2" Instrumentation	1" 1/4 F	Water in/out	Air inlet valve	-10/+50	10	-10/+99	6
500	750	900	1350		1" 1/4 F			-10/+50	10	-10/+99	6

MOTOR SUPPORT PLATE

MOTOR SUPPORT PLATE
50/80/100/200 liters

MOTOR SUPPORT PLATE
300/500 liters



EXTRA-BOLLY® CALORIFIERS
BOLLYTERM® CALORIFIERS
STAINLESS STEEL CALORIFIERS
CALORIFIERS FOR HEAT PUMP
MULTIFUEL ENERGY CYLINDERS - PUFFER
HYDRONIC
INERTIAL TANKS
WATER PRESSURE TANKS
COMPRESSED AIR RECEIVERS
ACCESSORIES AND SPARE PARTS
TECHNICAL SUPPORT





COMPRESSED AIR RECEIVERS

EXTRA-BOLLY®
CALORIFIERS

BOLLYTERM®
CALORIFIERS

STAINLESS STEEL
CALORIFIERS

CALORIFIERS FOR
HEAT PUMP

MULTIFUEL ENERGY
CYLINDERS - PUFFER

HYDRONIC

INERTIAL
TANKS

WATER PRESSURE
TANKS

COMPRESSED AIR
RECEIVERS

ACCESSORIES
AND SPARE PARTS

TECHNICAL
SUPPORT

ARIA COMPRESSA CE

COMPRESSED AIR / NITROGEN RECEIVERS (DIRECTIVE 2014/29/CE)

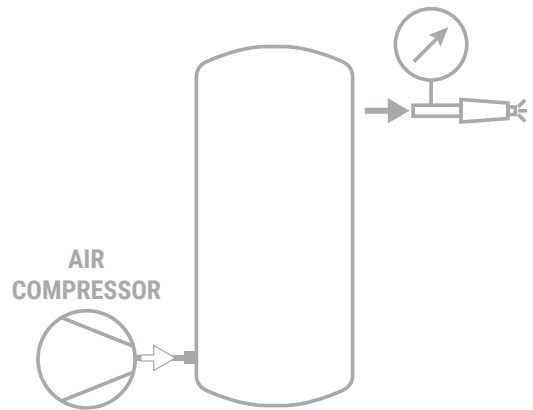


CE

WORKING TEMPERATURE

T_{max}

-10/+100 °C



TECHNICAL DESCRIPTION

Compressed air receivers allows to extract more air that the quantity produced by compressor, this without causing an under-pressure in the unit.

Built in mild steel, either painted, galvanized and painted with food internal coating Polywarm® according to D.M. nr. 174 dated 06/04/2004.

APPLICATION

Storage and distribution of compressed air.

MATERIAL

- Painted mild steel (standard colour RAL 5002-Blue)
- Other colours on demand:
 - RAL 5015 - Light Blue
 - RAL 3000 - Red
 - RAL 1021 - Yellow
- Galvanized mild steel
- Painted mild steel version with internal food coating (Polywarm®)

DOCUMENTS ATTACHED

- CE certification - User Instructions

CERTIFICATIONS

Compressed air receivers are produced according to European Directive 2014/29/CE for items with a "volume x pressure" under than 10.000 Bar • Liter. These tanks are marked CE under the monitoring of an external control agency.

- Liquid in pressure: air
- Liquid group: 2
- Maximum working pressure: (See tab)
- Temperature: -10/+100°C

GALVANIZED / PAINTED



(*) Altri colori su richiesta:

RAL 5015 Celeste / RAL 3000 Rosso / RAL 1021 Giallo

2014/29/CE		VERTICAL COMPRESSED AIR RECEIVER	
Model	Working Pressure [Bar]	Galvanized Art. Nr.	PAINTED - RAL 5002 BLUE (*) Art. Nr.
100	11	3053171990001	3053172240001
200		3053171990022	3053172240022
270		3053171990003	3053172240003
500		3053171990004	3053172240004
710		3053171990025	3053172240025
900		3053171990026	3053172240026
270	15	3053171990034	3053172240034
500		3053171990014	3053172240014

FOOD INTERNAL COATING

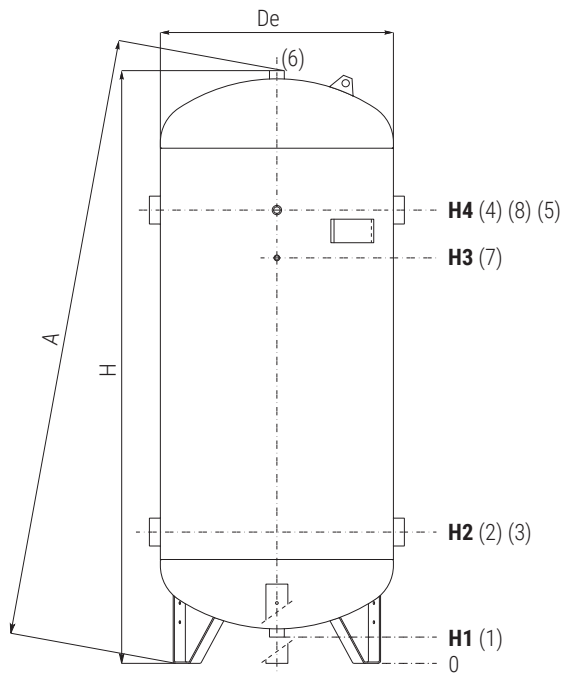


(*) Other colours on demand: RAL 5015 Light Blue / RAL 3000 Red / RAL 1021 Yellow

2014/29/CE		VERTICAL COMPRESSED AIR RECEIVER	
Model	Working Pressure [Bar]	PAINTED RAL 5002 BLUE (*) - FOOD INTERNAL COATED [€]	
100	11		
200			
270			
500		on request	
710			
900			
270	15		
500		on request	

ARIA COMPRESSA CE

COMPRESSED AIR / NITROGEN RECEIVERS (DIRECTIVE 2014/29/CE)



1	Drain
2-3	Air entry
4-5	Utilizzo
6	Safety Valve
7-8	Instrumentation

Model	Working Pressure [bar]	De	H	A	H1	H2	H3	H4	1-6	2-3-4-5	7	8
					Connections Gas F							
100	11	400	1105	1125	145	380	790	870	2"	1"	3/8"	3/8"
200		450	1470	1490	145	385	1125	1225	2"	1"	3/8"	3/8"
270		500	1760	1780	150	410	1330	1450	2"	1"	3/8"	3/8"
500		650	1850	1870	170	485	1285	1485	2"	2"	3/8"	3/4"
710		790	1900	1930	135	585	1360	1460	2"	2"	3/8"	3/4"
900	15	790	2130	2160	145	490	1390	1590	2"	2"	3/8"	3/4"
270		500	1760	1780	150	410	1330	1450	2"	1"	3/8"	3/8"
500		650	1850	1870	170	485	1285	1485	2"	2"	3/8"	3/4"

EXAMPLE OF COMPRESSED AIR RECEIVER PLANT

In compressed air production and distribution systems, tanks are used in production plants for the following functions:

- to store compressed air in order to use it when needed
- to ensure network air flow and constant pressure by limiting interventions to adjust the flow;
- to favour the separation of condensation through the release of the flow coming from the compressor in the bottom of the tank and connecting delivery in the upper.

100 Nm³/min, tank capacity is calculated, as a first approximation, with the following relationship:

$$V = 0.2 \text{ to } 0.6 Q$$

V = theoretical volume of the tank in m³

Q = intake flow rate from the compressor in m³/min

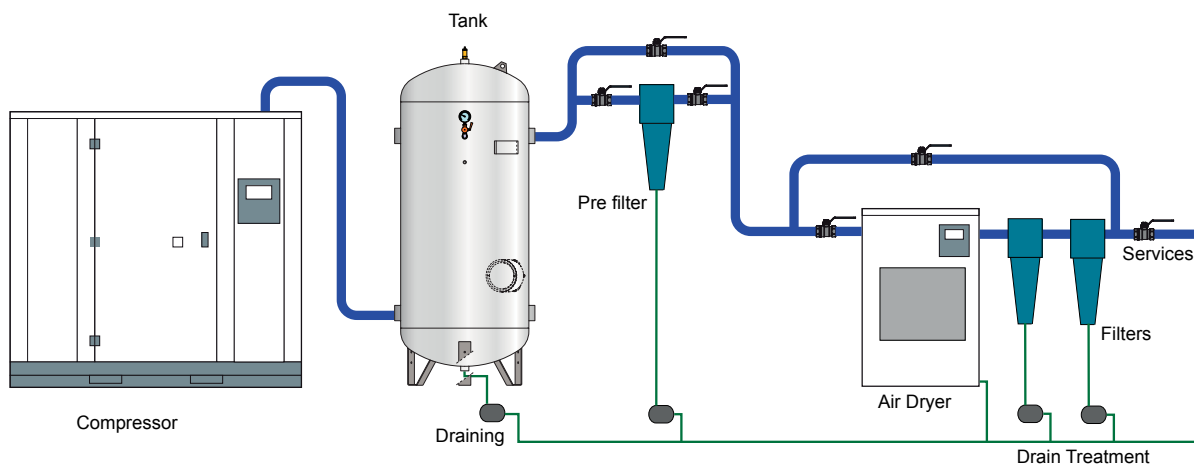
0.2 = coefficient for large plants

0.6 = coefficient for small plants

Furthermore, the tanks are located near uses characterised by highly variable air requirements in order to limit pressure fluctuations along the distribution lines.

Optimum tank volume in a production system depends on the type of compressor, environmental conditions of operation and type of use.

In systems characterised by max operating pressure of 10 bar and flow rates from 1 to



The following schemes are purely illustrative. To realize the installation, always refer to a qualified design engineer.

EXTRA-BOLLY® CALORIFIERS
 BOLLYTERM® CALORIFIERS
 STAINLESS STEEL CALORIFIERS
 CALORIFIERS FOR HEAT PUMP
 MULTIFUEL ENERGY CYLINDERS - PUFFER
 HYDRONIC
 INERTIAL TANKS
 WATER PRESSURE TANKS
 COMPRESSED AIR RECEIVERS
 ACCESSORIES AND SPARE PARTS
 TECHNICAL SUPPORT

ARIA COMPRESSA P.E.D.

COMPRESSED AIR / NITROGEN RECEIVERS (DIRECTIVE 2014/68/UE - P.E.D.)

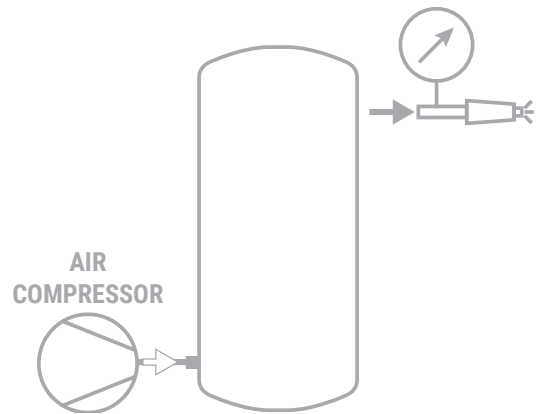


CE

WORKING TEMPERATURE

Tmax

-10/+100 °C



TECHNICAL DESCRIPTION

Compressed air receivers allow to extract more air than the quantity produced by the compressor, this without causing an under-pressure in the unit. Built in mild steel, either painted, galvanized and painted with food internal coating Polywarm® according to D.M. nr. 174 dated 06/04/2004.

APPLICATION

Storage and distribution of compressed air.

MATERIAL

- Painted mild steel (standard colour RAL 5002-Blue)
- Other colours on demand:
 - RAL 5015 - Light Blue
 - RAL 3000 - Red
 - RAL 1021 - Yellow
- Galvanized mild steel
- Painted mild steel version with internal food coating (Polywarm®)

CERTIFICATIONS

- Compressed air receivers are produced according to European Directive 2014/68/UE - (PED) for items with a "volume x pressure" over than 10.000 Bar • Liter. These tanks are marked CE under the monitoring of an external control agency.
- Liquid in pressure: air / nitrogen
 - Liquid group: 2
 - Maximum working pressure: (See tab)
 - Temperature: 0/+100 °C

DOCUMENTS ATTACHED

- CE certification - User Instructions

GALVANIZED / PAINTED



2014/68/CE-P.E.D.

VERTICAL COMPRESSED AIR RECEIVER

Model	Pressure [Bar]	Galvanized	PAINTED - RAL 5002 BLU (*)
		Art. Nr.	Art. Nr.
1500	8	3054171990001	3054172240001
2000		3054171990002	3054172240002
3000		3054171990054	3054172240054
4000		3054171990005	3054172240005
5000		3054171990006	3054172240006
8000		3054171990007	/
10000		3054171990008	/
1000		12	3054171990067
1500	3054171990011		3054172240011
2000	3054171990012		3054172240012
2500	3054171990013		3054172240013
3000	3054171990064		3054172240064
4000	3054171990015		3054172240015
5000	3054171990016		3054172240016
8000	3054171990027		/
10000	3054171990028	/	
1000	15	3054171990167	3054172240151
1500		3054171990118	3054172240102
2000		3054171990168	3054172240152

(*) Other colours on demand: RAL 5015 Light Blue / RAL 3000 Red / RAL 1021 Yellow



FOOD INTERNAL COATING



2014/68/CE-P.E.D.

VERTICAL COMPRESSED AIR RECEIVER

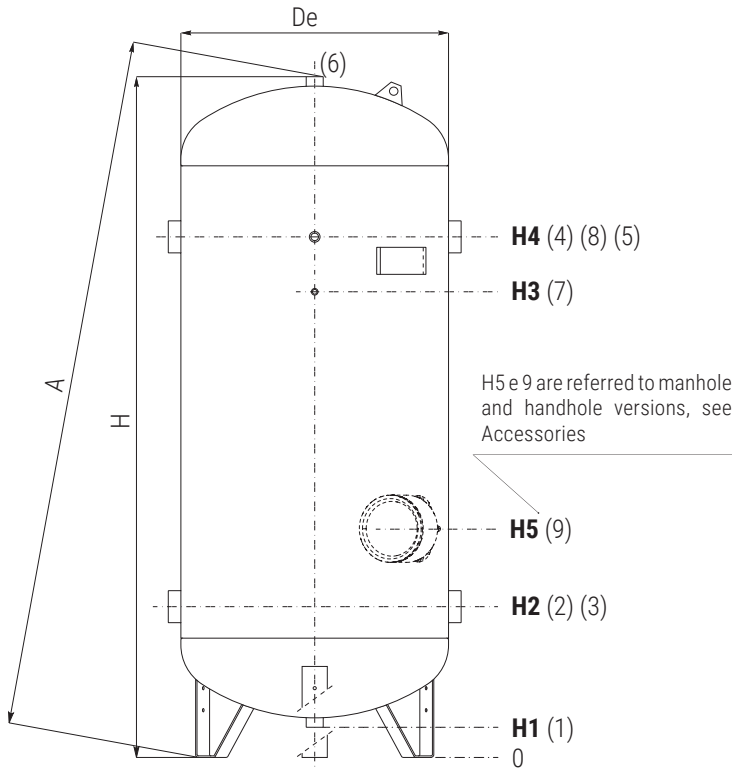
Model	Pressure [Bar]	PAINTED RAL 5002 BLUE (*) - FOOD INTERNAL COATED
		[€]
1500	8	on request
2000		
3000		
4000		
5000		
1000	12	on request
1500		
2000		
2500		
3000		
4000	15	on request
5000		
1000		
1500		
2000		

(*) Other colours on demand: RAL 5015 Light Blue / RAL 3000 Red / RAL 1021 Yellow



ARIA COMPRESSA P.E.D.

COMPRESSED AIR / NITROGEN RECEIVERS (DIRECTIVE 2014/68/UE - P.E.D.)



- 1 Drain
- 2-3 Air entry
- 4-5 Utilizzo
- 6 Safety Valve
- 7-8 Instrumentation
- 9 Manhole / handhole (on request)

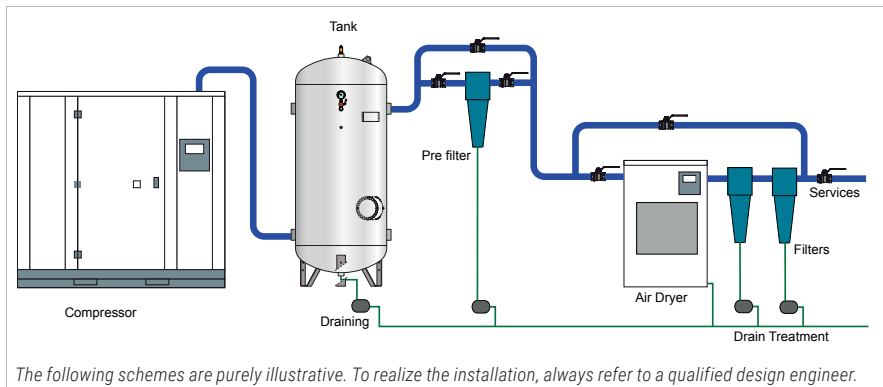


Model	Working Pressure [bar]	De	H	A	H1	H2	H3	H4	Connections Gas F			
									1-6	2-3-4-5	7	8
1500	8	950	2470	2510	150	570	1470	1670	2"	2"	3/8"	3/4"
2000		1100	2545	2600	100	595	1495	1695	2"	2"	3/8"	3/4"
3000		1200	3000	3075	140	720	1620	1820	2"	3"	3/8"	3/4"
4000		1450	3000	3100	120	710	1610	1810	2"	3"	3/8"	3/4"
5000		1450	3505	3585	115	710	2100	2300	2"	3"	3/8"	3/4"
8000		1650	4200	4280	220	810	3310	3510	2"	4"	3/8"	3/4"
10000		1650	5200	5270	220	810	4310	4510	2"	4"	3/8"	3/4"
1000	12	790	2430	2450	180	575	1625	1825	2"	2"	3/8"	3/4"
1500		950	2490	2530	115	575	1480	1680	2"	2"	3/8"	3/4"
2000		1100	2545	2600	100	595	1495	1695	2"	2"	3/8"	3/4"
2500		1200	2660	2760	145	680	1580	1780	2"	3"	3/8"	3/4"
3000		1200	3000	3075	140	720	1620	1820	2"	3"	3/8"	3/4"
4000		1450	3000	3100	120	710	1610	1810	2"	3"	3/8"	3/4"
5000		1450	3505	3585	115	710	2100	2300	2"	3"	3/8"	3/4"
8000	1650	4200	4280	220	810	3310	3510	2"	4"	3/8"	3/4"	
10000	1650	5200	5270	220	810	4310	4510	2"	4"	3/8"	3/4"	
1000	15	790	2430	2450	180	575	1625	1825	2"	2"	3/8"	3/4"
1500		950	2490	2530	115	575	1480	1680	2"	2"	3/8"	3/4"
2000		1100	2545	2600	100	595	1495	1695	2"	2"	3/8"	3/4"

EXAMPLE OF COMPRESSED AIR RECEIVER PLANT

In compressed air production and distribution systems, tanks are used in production plants for the following functions:

- to store compressed air in order to use it when needed
- to ensure network air flow and constant pressure by limiting interventions to adjust the flow;
- to favour the separation of condensation through the release of the flow coming from the compressor in the bottom of the tank and connecting delivery in the upper.



Furthermore, the tanks are located near uses characterised by highly variable air requirements in order to limit pressure fluctuations along the distribution lines.

Optimum tank volume in a production system depends on the type of compressor, environmental conditions of operation and type of use.

In systems characterised by max operating pressure of 10 bar and flow rates from 1 to 100 Nm³/min, tank capacity is calculated, as a first approximation, with the following relationship:

$$V = 0.2 \text{ to } 0.6 Q$$

V = theoretical volume of the tank in m³

Q = intake flow rate from the compressor in m³/min

0.2 = coefficient for large plants

0.6 = coefficient for small plants



ACCESSORIES

TECHNICAL
SUPPORT

ACCESSORIES
AND SPARE PARTS

COMPRESSED AIR
RECEIVERS

WATER PRESSURE
TANKS

INERTIAL
TANKS

HYDRONIC

MULTIFUEL ENERGY
CYLINDERS - PUFFER

CALORIFIERS FOR
HEAT PUMP

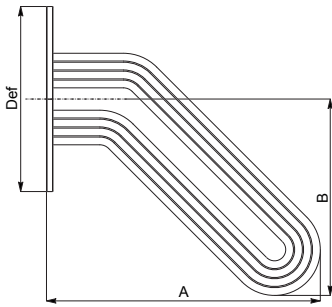
STAINLESS STEEL
CALORIFIERS

BOLLYTERM®
CALORIFIERS

EXTRA-BOLLY®
CALORIFIERS

ACCESSORIES AND SPARE PARTS : CALORIFIERS - MULTYFUEL ENERGY CILINDERS

LOWER HEAT EXCHANGER FOR EXTRA 1,2 3 VT CALORIFIERS



The Antilegionella® coil, which is the heat exchanger with tubes bent to the bottom is an efficient innovation installed as a standard on every Cordivari's Extra calorifiers. This reduces the diffusion of legionellosis bacterium.

Advantages:

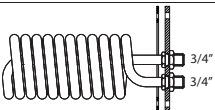
- The Antilegionella® curved heat exchanger can heat the complete quantity of water in an homogenous way. Even in the bottom area of the boiler which is impossible with traditional heat exchanger.
- Possibility of using lower capacity boilers for the same quantity of hot water needed. Kit including: exchanger, gaskets, bolts and insulated bushes.

316L STAINLESS STEEL ANTILEGIONELLA® HEAT EXCHANGER WITH SILICONE GASKET

Heat exchanger surface	Def	A	B
[m ²]	[mm]		
0,5	300	350	240
0,75	300	350	240
1	300	371	261
1,5	300	561	311
1,5	380	496	336
2	380	496	336
3	380	607	452
4	430	636	457
5	430	678	498
6	430	828	585
8	430	1250	598
10	430	1550	538

Art. Nr.	AVAILABLE FOR
5221000010100	• EXTRA1 WXC 200 - EXTRA1 XXC 200 • EXTRA2 WXC 200 - EXTRA2 XXC 200
5221000010101	• EXTRA1 WXC 300 - EXTRA1 XXC 300 • EXTRA2 WXC 300 - EXTRA2 XXC 300 • EXTRA3 WXC 200
5221000010102	• EXTRA1 WXC 500 - EXTRA1 XXC 500 • EXTRA3 WXC 300
5221000010113	• EXTRA2 WXC 500 - EXTRA3 WXC 500 EXTRA2 XXC 500 - EXTRA3 XXC500
5221000010103	• EXTRA1 WXC 800 - EXTRA 1 XXC 800
5221000010104	• EXTRA1 WXC 1000 - EXTRA1 XXC 1000 • EXTRA2 WXC 800 - EXTRA 2 XXC 800
5221000010105	• EXTRA1 WXC 1500 - EXTRA1 XXC 1500 • EXTRA 1 WXC 1500 COMPACT • EXTRA2 WXC 1000 - EXTRA2 WXC 1500 EXTRA2 XXC 1000 - EXTRA2 XXC 1500 • EXTRA3 WXC 1000 - EXTRA3 WXC 1500
5221000010106	• EXTRA1 WXC 2000 - EXTRA1 XXC 2000 • EXTRA1 WXC 2000 COMPACT • EXTRA2 WXC 2000 - EXTRA2 XXC 2000 • EXTRA3 WXC 2000 - EXTRA3 XXC 2000
5221000010107	• EXTRA1 WXC 2500 - EXTRA1 XXC 2500 • EXTRA1 WXC 2500 COMPACT • EXTRA2 WXC 2500 - EXTRA2 XXC 2500
5221000010123	• EXTRA1 WXC 3000 - EXTRA1 XXC 3000 • EXTRA1 WXC 3000 COMPACT • EXTRA2 WXC 3000 - EXTRA 3 WXC 3000 • EXTRA2 XXC 3000 - EXTRA 3 XXC 3000
5221000010108	• EXTRA1 WXC 4000 - EXTRA1 XXC 4000 • EXTRA1 WXC 4000 COMPACT • EXTRA2 WXC 4000 - EXTRA2 XXC 4000 • EXTRA3 WXC 4000 - • EXTRA3 XXC 4000
5221000010109	• EXTRA1 WXC 5000 - EXTRA1 XXC 5000 • EXTRA2 WXC 5000 - EXTRA2 XXC 5000 • EXTRA3 WXC 5000 - • EXTRA3 XXC 5000

ADDITIONAL COPPER FINNED COIL (FOR 800 AND 1000 MODELS BOLLY® ST 1 - 2)

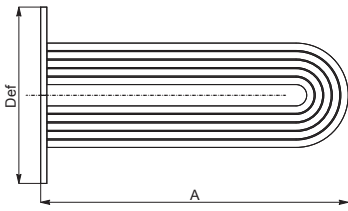


Art. Nr.	Description
5221000910001	Surface=0,94m ² - De=145 mm - L=370 mm

COPPER finned coil for Bolly FIT 1 - 2 ≥ 800 lt, including flange plate (Ø 240 mm), gaskets, bolts and user manual.

ACCESSORIES AND SPARE PARTS : CALORIFIERS - MULTYFUEL ENERGY CILINDERS

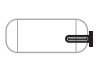


MIDDLE AND UPPER HEAT EXCHANGERS FOR CALORIFIERS EXTRA 2 E 3 VT AND EXTRA 1 OR



Kit including: exchanger, gaskets, bolts and insulated bushes.

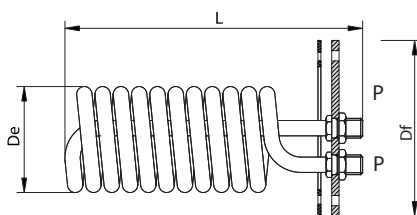
STRAIGHT EXCHANGER STAINLESS STEEL 316L WITH SILICONE GASKET

Heat exchanger surface	Def	A
[m ²]	[mm]	
0,5	300	445
0,75	300	445
1	300	475
1,5	300	690
1,5	380	600
2	380	560
3	380	720
4	430	750
5	430	780
6	430	890
8	430	1250
10	430	1510

Art. Nr.	AVAILABLE FOR		
			
5221000010074	• EXTRA1 WXC OR 200 EXTRA1 XXC OR 200	• EXTRA2 WXC 200 EXTRA2 XXC 200	...
5221000010075	• EXTRA1 WXC OR 300 EXTRA1 XXC OR 300	• EXTRA2 WXC 300 EXTRA2 XXC 300	...
5221000010076	• EXTRA1 WXC OR 500 EXTRA1 XXC OR 500
5221000010077	...	• EXTRA2 WXC 500 EXTRA2 XXC 500	...
5221000010078	• EXTRA1 WXC OR 800 EXTRA1 XXC OR 800	...	• EXTRA3 WXC 1500
5221000010079	• EXTRA1 WXC OR 1000 EXTRA1 XXC OR 1000	• EXTRA2 WXC 800 EXTRA2 WXC 1000 EXTRA2 XXC 1000	• EXTRA3 WXC 2000
5221000010080	• EXTRA1 WXC OR 1500 EXTRA1 XXC OR 1500	• EXTRA2 WXC 1500 EXTRA2 XXC 1500 • EXTRA3 WXC 1500	• EXTRA3 WXC 3000
5221000010081	• EXTRA1 WXC OR 2000 EXTRA1 XXC OR 2000	• EXTRA2 WXC 2000 EXTRA2 XXC 2000 • EXTRA3 WXC 2000	• EXTRA3 WXC 4000
5221000010082	• EXTRA1 WXC OR 3000 EXTRA1 XXC OR 3000	EXTRA2 WXC 2500 EXTRA2 XXC 2500	• EXTRA3 WXC 5000
5221000010122	...	EXTRA2 WXC 3000 EXTRA2 XXC 3000	EXTRA3 WXC 3000 EXTRA3 XXC 3000
5221000010083	• EXTRA1 WXC OR 4000 EXTRA1 XXC OR 4000	EXTRA2 WXC 4000 EXTRA2 XXC 4000 EXTRA3 WXC 4000	...
5221000010084	• EXTRA1 WXC OR 5000 EXTRA1 XXC OR 5000	EXTRA2 WXC 5000 EXTRA2 XXC 5000 EXTRA3 WXC 5000	...

COPPER FINNED AND TINNED HEAT EXCHANGERS (AVAILABLE ON EXTRA PLUS - INERTIAL TANKS)

Including flangeplate, gaskets, bolts and user manual.



Heat exchanger surface	COPPER FINNED AND TINNED COIL	De	Flange plate Df	L	P	Capacity
[m ²]	Art. Nr.		[mm]		[Gas]	[litres]
0,76	5221000061003	142	300	400	1"	0,60
0,94	5221000061002	142	300	410	1"	0,54
1,58	5221000061004	170	300	440	1"	1,21
2,27	5221000061021	170	300	570	1"	1,79
2,63	5221000061022	190	300	570	1"	2,07
3,17	5221000061023	190	300	665	1"	2,51
4,54	5221000061024	190	300	750	1" 1/4	3,60
5,26	5221000061025	190	300	850	1" 1/4	4,14
6,34	5221000061026	190	300	980	1" 1/4	5,10

ACCESSORIES AND SPARE PARTS : CALORIFIERS - MULTYFUEL ENERGY CILINDERS

COMPATIBLE ELECTRICAL KITS

Following charts indicate the electrical kits compatible with Cordivari calorifiers range. Operating time expressed in minutes and DHW volume are shown below.

ELECTRICAL IMMERSION HEATERS

Mod.	Volume of water heated by the electrical immersion [lit]	MONOPHASE			THREEPHASE				
		1,5 kW	2 kW	3 kW	4 kW	5 kW	6 kW	9 kW	12 kW
		52400000000051	52400000000052	52400000000053	52400000000047	52400000000048	52400000000049	52400000000050	52400000000031
Ignition time from 10 °C to 45 °C with immersion heaters [min]									
200	49	87	65	44	//	//	//	//	//
300	76	136	102	68	//	//	//	//	//
500	127	228	171	114	//	//	//	//	//
800	178	318	239	159	//	//	//	//	//
1000	243	436	327	218	163	131	109	73	54
1500	288	516	387	258	194	155	129	86	65
2000	443	793	595	396	297	238	198	132	99
2500	577	1033	775	517	387	310	258	172	129
3000	577	1033	775	517	387	310	258	172	129
4000	797	1428	1071	714	535	428	357	238	178
5000	1040	1864	1398	932	699	559	466	311	233

COMPATIBLE WITH:



ELECTRICAL IMMERSION HEATERS

Mod.	Volume of water heated by the electrical immersion [lit]	MONOPHASE			THREEPHASE				
		1,5 kW	2 kW	3 kW	4 kW	5 kW	6 kW	9 kW	12 kW
		52400000000051	52400000000052	52400000000053	52400000000047	52400000000048	52400000000049	52400000000050	52400000000031
Ignition time from 10 °C to 45 °C with immersion heaters [min]									
1500	443	793	595	396	297	238	198	132	99
2000	577	1033	775	517	387	310	258	172	129
2500	797	1428	1071	714	535	428	357	238	178
3000	874	1565	1173	782	587	469	391	261	196
4000	924	1655	1241	828	621	497	414	276	207

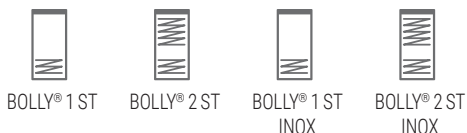
COMPATIBLE WITH:



ELECTRICAL IMMERSION HEATERS

Mod.	Volume of water heated by the electrical immersion [lit]	MONOPHASE			THREEPHASE				
		1,5 kW	2 kW	3 kW	4 kW	5 kW	6 kW	9 kW	12 kW
		52400000000051	52400000000052	52400000000053	52400000000047	52400000000048	52400000000049	52400000000050	52400000000031
Ignition time from 10 °C to 45 °C with immersion heaters [min]									
150	42	76	57	38	//	//	//	//	//
200	72	128	96	64	//	//	//	//	//
300	113	202	152	101	//	//	//	//	//
400	167	299	225	150	//	//	//	//	//
500	184	329	247	165	//	//	//	//	//
800	313	560	420	280	//	//	//	//	//
1000	383	686	514	343	257	206	171	114	86
1300	500	896	672	448	336	269	224	149	112
1500	557	998	749	499	374	299	250	166	125
2000	835	1495	1121	747	560	448	374	249	187

COMPATIBLE WITH:



ACCESSORIES AND SPARE PARTS : CALORIFIERS - MULTYFUEL ENERGY CILINDERS

ELECTRICAL IMMERSION HEATERS

Mod.	Volume of water heated by the electrical immersion [lt]	MONOPHASE		
		1,5 kW	2 kW	3 kW
		Ignition time from 10 °C to 45 °C with immersion heaters [min]		
150	42	76	57	38
200	44	78	59	39
300	80	143	107	71
400	126	226	170	113
500	185	331	248	165

COMPATIBLE WITH:



BOLLY® 1 AP

ELECTRICAL IMMERSION HEATERS

Mod.	Volume of water heated by the electrical immersion [lt]	MONOPHASE		
		1,5 kW	2 kW	3 kW
		Ignition time from 10 °C to 45 °C with immersion heaters [min]		
200	166	298	223	149
300	245	439	329	219
500	424	759	569	380

COMPATIBLE WITH:



BOLLY® XL

ELECTRICAL IMMERSION HEATERS

Mod.	Volume of water heated by the electrical immersion [lt]	MONOPHASE		
		1,5 kW	2 kW	3 kW
		Ignition time from 10 °C to 45 °C with immersion heaters [min]		
200	54	88	60	44
300	105	188	141	94
500	172	307	230	154

COMPATIBLE WITH:



BOLLY® 2 AP

ELECTRICAL IMMERSION HEATERS

Mod.	Volume of water heated by the electrical immersion [lt]	MONOPHASE		
		1,5 kW	2 kW	3 kW
		Ignition time from 10 °C to 45 °C with immersion heaters [min]		
300	169	274	206	137
500	305	496	372	248

COMPATIBLE WITH:



BOLLY® 1 XL INOX XB



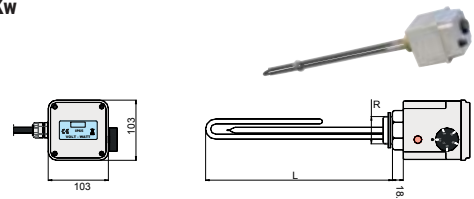
BOLLY® 2 XL INOX XB

ELECTRICAL IMMERSIONS KIT

Electric heaters can be used as integration on calorifiers and tanks, stainless steel heaters, protection class min IP44, supplied with thermostat, safety thermostat reset user and 2 mt of electrical cable wired and without plug.

Art. Nr.	Tension	Output	Length L	Connection R
	Volt	[Kw]	[mm]	Gas M
5240000000051	220 V MONOPHASE	1,5	320	1"1/2
5240000000052		2	320	
5240000000053		3	320	

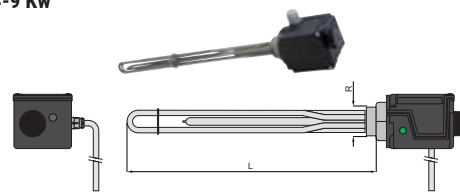
1,5 - 3 Kw



Electric heaters can be used as integration on calorifiers and tanks, heating elements in INCOLOY 800, protection class min IP44 supplied with thermostat, safety thermostat manual reset and 2 mt of electrical cable wired and without plug.

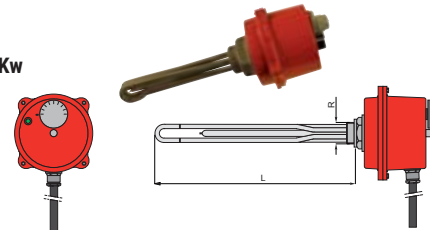
Art. Nr.	Tension	Output	Length L	Connection R
	[Volt]	[Kw]	[mm]	Gas M
5240000000047	400 V TRIPHASE	4	415	1"1/2
5240000000048		5	500	
5240000000049		6	600	
5240000000050		9	750	

4-9 Kw



Art. Nr.	Tension	Output	Length L	Connection R
	[Volt]	[Kw]	[mm]	Gas M
5240000000031	400 V TRIPHASE	12	750	2"

12 Kw

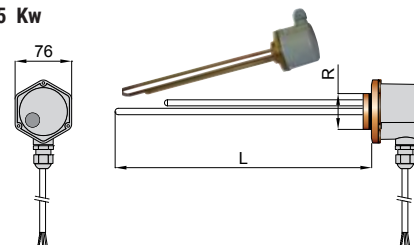


ELECTRICAL IMMERSION KIT FOR INTERKA TANK

Electric heaters can be used as integration on calorifiers and tanks, cooper heaters, protection class IP45 supplied with thermostat, safety thermostat reset user and 2 mt of electrical cable wired and without plug. Specific for Interka model.

Art. Nr.	Tension	Output	Length L	Connection R
	Volt	[Kw]	[mm]	Gas M
5240000000042	220 V MONOPHASE	1,5	340	1"1/4

1,5 Kw



EXTRA-BOLLY®
CALORIFIERS

BOLLYTERM®
CALORIFIERS

STAINLESS STEEL
CALORIFIERS

CALORIFIERS FOR
HEAT PUMP

MULTIFUEL ENERGY
CYLINDERS - PUFFER

HYDRONIC

INERTIAL
TANKS

WATER PRESSURE
TANKS

COMPRESSED AIR
RECEIVERS

ACCESSORIES
AND SPARE PARTS

TECHNICAL
SUPPORT

ACCESSORIES AND SPARE PARTS : CALORIFIERS - MULTYFUEL ENERGY CILINDERS

EXCHANGER HEAD FOR "EXTRA 1,2,3" CALORIFIERS

The Flange plate includes 2 sleeve collars for the connection to the operating system. This allows the circulation of the liquid within the heat exchanger's serpentine doing the real separation between the incoming liquid and the outgoing one. The flange plate is in mild steel. Blind flange for accumulation tank in Polywarm® available also with 1 connection. Including: gaskets, bolts and bushes



Art. Nr.	Connection	Diameter [mm]
5206000000001	1"	300
5206000000002	2"	380
5206000000003	2"	430

Includes 2 gaskets, bolts and bushes
Version for pipes heat exchanger

FLANGE PLATE FOR D.H.W. STORAGE TANKS



Art. Nr.	Connection	Diameter [mm]
52060000000051	1" 1/2	300

Includes 1 gasket and bolts
1 connection for electrical immersion (available on accumulation tanks)



Art. Nr.	Diameter [mm]
52060000000101	300
52060000000102	380
52060000000103	430

Includes 1 gasket and bolts
Blind flange available (available on accumulation tanks)

GASKET FOR FLANGE PLATE

Pair of gasket for boilers EXTRA 1,2,3 - includes bolts and bushes.

Art. Nr.	Diameter [mm]
5021220401001	300
5021220401002	380
5021220401003	430



One gasket with crosspiece and one without.
Silicone gaskets suitable for alimentary use for max temperature up to 200°C.

Pair of gasket for boilers EXTRA VAPORE - includes bolts and bushes.

Art. Nr.	Diameter [mm]
5021220460111	300
5021220460112	380
5021220460113	430



One gasket with crosspiece and one without.
Made in material for max. temperature up to 192°C

Pair of gasket for boilers EXTRA PLUS and STORAGE TANKS

Art. Nr.	Diameter [mm]
5021220401013	300



One gasket with crosspiece and one without.
Silicone gaskets suitable for alimentary use for max temperature up to 200°C. 5 UNITS BOX

Pair of gasket for boilers BOLLY® POLYWARM® (800-1000) / INOX STORAGE TANKS

Art. Nr.	Diameter [mm]
5021220401012	240



One gasket with crosspiece and one without.
Silicone gaskets suitable for alimentary use for max temperature up to 200°C. 5 UNITS BOX

Pair of gasket for boilers BOLLY® POLYWARM® (150÷500) / COMBI

Art. Nr.	Diameter [mm]
5021220401011	190



One gasket with crosspiece and one without.
Silicone gaskets suitable for alimentary use for max temperature up to 200°C. 5 UNITS BOX

FLANGE PLATE WITH CONNECTION FOR ELECTRICAL IMMERSION (BOLLY® 1 - BOLLY® 2 POLYWARM®)

Kit includes bolts, bushes and user manual



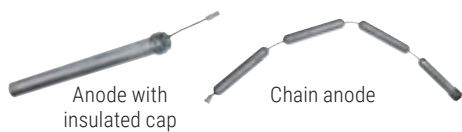
Art. Nr.	POLYWARM® VERSION
5212000910017	1" 1/2 Flange ø 190 mm-with connection for electrical immersion + flange plate (Bolly® 150÷500)
5212000910018	2" Flange ø 190 mm-with connection for electrical immersion + flange plate (Bolly® 150÷500)
5212000910020	1" 1/2 Flange ø 240 mm-with connection for electrical immersion + flange plate(Bolly® 800÷1000)
5212000910019	2" Flange ø 240 mm-with connection for electrical immersion + flange plate (Bolly® 800÷1000)
52060000000051	1" 1/2 Flange ø 380 mm-with connection for electrical immersion + flange plate (Bolly® 1500)
52060000000052	2" Flange ø 380 mm-with connection for electrical immersion + flange plate (Bolly® 1500)



Art. Nr.	316L STAINLESS STEEL VERSION
52120000000004	1" 1/2 Flange ø 180mm with connection for electrical immersion + flange plate (Bolly® 150÷1000)
52120000000005	2" Flange ø 180mm with connection for electrical immersion + flange plate (Bolly® 150÷1000)
52120000000006	1" 1/2 Flange ø 240mm with connection for electrical immersion + flange plate (Bolly® 1300÷2000)
52120000000007	2" Flange ø 240mm with connection for electrical immersion + flange plate (Bolly® 1300÷2000)

ACCESSORIES AND SPARE PARTS : CALORIFIERS - MULTYFUEL ENERGY CILINDERS

MAGNESIUM ANODES



The calorifiers corrosion protection is guaranteed not only by the internal coating material but also by the anodes.
As standard, Cordivari provides its calorifiers with magnesium anode and with electronic anode on demand.

SUITABLE FOR ANODEN TESTER

Art. Nr.	Description	Dimen. [mm]	ADATTO PER				Combi
			Extra 1,2,3, Vasi Inerziale	Interka Solare	Interka, Bolly Murale	BOLLY® RANGE (ST, AP, XL, PDC Classe.A) Bollyterm® HP	
5200000041001	N° 3 anodes + insulated cap + gasket - 1"1/4 Gas	32x 350	200 /300 WC	-	-	150	-
5200000041002	N° 3 anodes + insulated cap + gasket - 1"1/4 Gas	32 x 450	-	-	-	200/300	-
5200000041003	N° 3 anodi + insulated cap + gasket - 1"1/4 Gas	32 x 520	500 WC	-	-	400	-
5200000041004	N° 3 anodes + insulated cap + gasket - 1"1/4 Gas	32 x 650	800÷2000 WC (x2)	-	-	300/500/800	-
5200000041005	N° 2 anodes + insulated cap + gasket - 1"1/4 Gas	32 x 800	3000 WC (x2)	-	-	-	-
5200000041006	N° 2 anodes + insulated cap + gasket - 3/4" Gas	32 x 900	1500÷4000 WC (x2) 5000 WC (x2)	-	-	500	-
5200000041007	N° 2 chain anodes + insulated cap + gasket - 3/4" Gas	22 x 631	-	-	-	-	800 1000/1500 2000
5200000041016	N° 2 chain anodes + insulated cap + gasket - 3/4" Gas	22 x 450	-	-	-	-	500/600
5200000041008	N° 2 anodes M8	32 x 200	-	150	-	-	-
5200000041009	N° 2 anodes M8	32 x 400	-	200/300	-	-	-
5200000041010	N° 2 anodes + blind plug 1" 1/4	32 x 350	200/300 XC	-	200/300	150/200	-
5200000041011	N° 2 anodes + blind plug 1" 1/4	32 x 450	-	-	-	300	-
5200000041012	N° 2 anodes + blind plug 1" 1/4	32 x 650	800/2000 XC (x2)	-	-	500, 800, Bolly 2 1000 (x2)	-
5200000041013	N° 2 anodes + blind plug 1" 1/4	32 x 850	1500 ÷ 5000 XC (x2)	-	-	1000/1500 (x2) 2000 (x2)	-
5200000041014	N° 2 anodes + blind plug 1" 1/4	32 x 520	800 ZC e XC	-	-	400, Bolly 2 800 (x2)	-
5200000041015	N° 2 anodes + blind plug 1" 1/4	32 x 200	-	150/200 v2011	80/100/150	-	-

ELECTRONIC ANODE WITH TITANIUM IMPRESSED ELECTRICITY (FOR POLYWARM® COATED ONLY)

Art. Nr.	Anode length [mm]	Conn.	SUITABLE FOR		
			Extra1,2,3 Vasi Inerz. Polywarm	Interka, Interka Solare, Bolly Murale	BOLLY® RANGE (ST, AP, XL, PDC Classe.A) Bollyterm® HP
5200000000008	200	1"1/4 Gas	200, 300	80, 100, 120, 150, 200, 300	150, 200, 300
5200000000009	500		500, 800	-	500
5200000000011	400		1000, 1500	-	300, 800, 1000
5200000000012	DOUBLE 400		-	-	Bolly 2 800, 1000, 1500, 2000
5200000000013	DOUBLE 800		2000, 3000, 4000, 5000	-	-



• Use
The Titanium electronic anode is, by opposite to the normal one, not subject to consumption and doesn't need any maintenance or replacement. The protection against corrosion is obtained ensuring the electrolyte power through the continuous energy produced by the titanium bar.

• Material
The anode is composed by a Titanium rod, with its active final part, that has to be connected to the vessel.
This system ensures the good working and a long life both to the anode and the cylinder.

• Operating conditions
The input disposal is positioned in a insulated box and it's equipped with a light led, located on front side. Green light=working OK - Red light = Wrong working.

In this last case it's necessary to take the electrical plug away and get in touch with an installer, that will provide to put everything in good order.

• Advantage

1. Active protection through the power given by the titanium anode.
2. High level working flexibility, in order to fit to the different internal coatings and to the water capacity, ensured by an automatic regulation of the working electricity
3. Definitive and easy protection. It is important anyway to check that the electricity is constantly working.
4. Cancellation of any worries and maintenance problems and costs.

ANODEN-TESTER



Art. Nr.	Descrizione
5221000000031	Anoden-tester kit - 2 units box

ANODEN TESTER KIT

It is the new system to keep easily under control by seeing the consumption of the magnesium anode. You have just to push the button to check if the anode has to be replaced. Included with the anoden-tester, cap and boss.

EXTRA-BOLLY® CALORIFIERS
BOLLYTERM® CALORIFIERS
STAINLESS STEEL CALORIFIERS
CALORIFIERS FOR HEAT PUMP
MULTIFUEL ENERGY CYLINDERS - PUFFER
HYDRONIC
INERTIAL TANKS
WATER PRESSURE TANKS
COMPRESSED AIR RECEIVERS
ACCESSORIES AND SPARE PARTS
TECHNICAL SUPPORT

ACCESSORIES AND SPARE PARTS : CALORIFIERS - MULTYFUEL ENERGY CILINDERS

EASY CONTROL : ELECTRONIC DISPLAY FOR CALORIFIERS

- 4 working possibilities . Manual + Daily – Weekly - weekend
- Control of 2 sources and an additional electrical immersion (Power up to 2500 W and running in Manual mode)
- Antilegionellosis programme for time and temperature included with the output for the by-pass electronic-valve to the thermostatic mixer.
- Working control of the system trough the Display
- Alert message for the temperature's probes
- Control of the recycling pump
- Complete with 3 temperature probes



Art. Nr.	Version	Available for
5220280000001	NOT MOUNTED	Systems already installed
5005000310002	MOUNTED ON TANK	Polyester fleece insulation models
5005000310003	MOUNTED ON TANK	Ecological hard polyurethane foam insulation models

RECYCLING KIT FOR CALORIFIERS AND BUFFER TANKS

Art. Nr.
5221000000054
Control display + pump (for D.H.W.)



The use of Cordivari's recycling kit allows to manage on the system a link of the DHW recycling.

The benefit is to improve the comfort of the user and to reduce the waste and produce DHW immediately at the right temperature.

In particular, the Cordivari electronic recycling kit allows to:

- Maximize the energy saving by programming the recycling temperature on basis of our own habits.
- Daily and weekly scheduling to manage until 8 time slots for each day of the week
- Constantly monitoring the working and the efficiency of the recycle thanks to the self-diagnostics of the system
- Works also without the temperature's probe into system where the probe is not foreseen, through programmable temporary actions.

VALVES KIT



RECYCLE KIT - ECO COMBI	
Art. Nr.	
5221000000019	
3/4" Connection	



RECYCLE KIT AND MIXER - ECO COMBI	
Art. Nr.	
5221000000020	
3/4" Connection	



Safety Valve primary circuit	
Art. Nr.	calibration
5302000000021	2,5 bar
1/2" M x 1/2" F Connection Interka solare	

See catalogue "SISTEMI TERMICI INTEGRATI CORDIVARI"



Safety Valve TP	
Art. Nr.	calibration
5302000000020	90°C/6bar
1/2" M x 1/2" F. Connection (Avoiding over temperature when there is no withdrawing of DHW.)	

See catalogue "SISTEMI TERMICI INTEGRATI CORDIVARI"

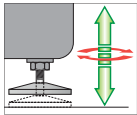
ACCESSORIES AND SPARE PARTS : CALORIFIERS - MULTYFUEL ENERGY CILINDERS

BUFFER TANKS CONNECTING KIT



Stainless steel extensible connecting hose		
Art. Nr.	Connection	Length
5006170001001	1" 1/2	200 ÷ 400 mm

ADJUSTABLE SUPPORTING FEET FOR BOLLY®



Art. Nr.	Description
5221000000029	Kit 3 adjustable supporting feet

3 adjustable supporting feet, allowing a correct positioning of the Bolly at not in-level floor.

HYDRAULIC SAFETY GROUP



Art. Nr.	Connection	Pressure
5760000001001	1"	8 bar

This accessory includes, a 8 bar safety valve, nonreturn valve, 2 on-off valves. Its function is to protect the sanitary circuit from overpressure (according to italian national regulation), fully covered inside the carter.

THERMOMETER

1/2" gas connection Thermometer- - from 0°-120°C



Art. Nr.	Description	Diameter [mm]
5032240000107	5 units box	60

EXTRA-BOLLY®
CALORIFIERS

BOLLYTERM®
CALORIFIERS

STAINLESS STEEL
CALORIFIERS

CALORIFIERS FOR
HEAT PUMP

MULTIFUEL ENERGY
CYLINDERS - PUFFER

HYDRONIC

INERTIAL
TANKS

WATER PRESSURE
TANKS


COMPRESSED AIR
RECEIVERS

ACCESSORIES
AND SPARE PARTS


TECHNICAL
SUPPORT

ACCESSORIES AND SPARE PARTS : HYDRONIC SYSTEMS

RECYCLE KIT FOR MACS® MODULE

<table border="1"> <tr> <td>Art. Nr.</td> </tr> <tr> <td>5221000000054</td> </tr> </table>	Art. Nr.	5221000000054		<p>The use of Cordivari's recycling kit allows to manage on the system a link of the DHW recycling.</p> <p>The benefit is to improve the comfort of the user and to reduce the waste and produce DHW immediately at the right temperature.</p> <p>In particular, the Cordivari electronic recycling kit allows to:</p> <ul style="list-style-type: none"> • Maximize the energy saving by programming the recycling temperature on basis of our own habits. • Daily and weekly scheduling to manage until 8 time slots for each day of the week • Constantly monitoring the working and the efficiency of the recycle thanks to the self-diagnostics of the system • Works also without the temperature's probe into system where the probe is not foreseen, through programmable temporary actions.
Art. Nr.				
5221000000054				
<p>Control display + pump (for D.H.W.)</p>				

D.H.W. RECIRCULATION KIT FOR ELECTRONIC MACS® MODULE

<table border="1"> <tr> <td>Art. Nr.</td> </tr> <tr> <td>5221000000073</td> </tr> </table>	Art. Nr.	5221000000073		<p>The recirculation kit for Electronic MACS® module allows the implementation of a sanitary recirculation ring on the system where modules are installed.</p> <p>The main advantage of such sanitary recirculation ring is to improve comfort and speed in achieving and enjoying the desired DHW temperature, reducing energy waste.</p> <p>The control unit included as standard with electronic MACS® modules allow the complete management of all settings of the recirculation ring, such as temperature, setting etc...</p>
Art. Nr.				
5221000000073				
<p>D.H.W. circulation pump</p>				

THERMOSTATIC SWITCH VALVE



ART. NR.	Connections
5046000000007	3/4"
5046000000008	1"

Auto-operated thermostatic switch valve, calibrated at 45°C. It can easily integrate solar thermal systems for DHW production with a boiler.

For further information and prices, see Cordivari INTEGRATED SOLAR SYSTEMS catalogue.

ACCESSORIES AND SPARE PARTS : HYDRONIC SYSTEMS

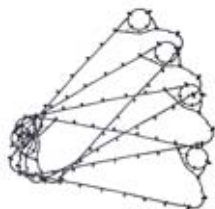
PHC - 316L STAINLESS STEEL PLATES SPARE PARTS



Description	Suitable for	Art. Nr.
N° 2 316L stainless steel plates + gaskets already mounted (until stocks are exhausted)	PHC 3120	5250400000001
	PHC 4620	5250400000002
	PHC 7420	5250400000003
	PHC 7431	5250400000004
	PHC 12046	5250400000005

Description 316L STAINLESS STEEL PLATES	Suitable for	Art. Nr.
2 units box	PHC 3120	5250400000011
2 units box	PHC 4620	5250400000012
2 units box	PHC 7420	5250400000013
2 units box - H version	PHC 7431	5250400000014
2 units box - L version	PHC 7431	5250400000015
2 units box - H version	PHC 8031	5250400000016
2 units box - L version	PHC 8031	5250400000017
2 units box - H version	PHC 12046	5250400000018
2 units box - L version	PHC 12046	5250400000019

PHC - GASKETS



Description	Suitable for	Art. Nr.
NBR gaskets - 10 units box	PHC 3120	5019220401011
EPDM gaskets - 10 units box		5019220401012
NBR gaskets - 10 units box	PHC 4620	5019220401013
EPDM gaskets - 10 units box		5019220401014
NBR gaskets - 10 units box	PHC 7420	5019220401015
EPDM gaskets - 10 units box		5019220401016
NBR gaskets - 14 units box	PHC 7431	5019220401017
EPDM gaskets - 14 units box		5019220401018
NBR gaskets - 14 units box	PHC 8031	5019220401019
EPDM gaskets - 14 units box		5019220401020
NBR gaskets - 14 units box	PHC 12046	5019220401021
EPDM gaskets - 14 units box		5019220401022

EXTRA-BOLLY®
CALORIFIERS

BOLLYTERM®
CALORIFIERS

STAINLESS STEEL
CALORIFIERS

CALORIFIERS FOR
HEAT PUMP

MULTIFUEL ENERGY
CYLINDERS - PUFFER

HYDRONIC

INERTIAL
TANKS

WATER PRESSURE
TANKS

COMPRESSED AIR
RECEIVERS

ACCESSORIES
AND SPARE PARTS

TECHNICAL
SUPPORT

ACCESSORIES AND SPARE PARTS : WATER PRESSURE TANKS

PRESSURE VESSELS VISUAL LEVEL INDICATOR

The level indicator includes: transparent tube, two brass faucets and gaskets.

Art. Nr.	Pressure vessel model	Tube length
		[m]
5303000000040	From 100 to 2500 (stainless steel 1000 and 2000 excluded)	1
5303000000041	From 3000 to 5000 (stainless steel 1000 and 2000 included)	2
5303000000042	>5000 on request	3



SECURITY VALVES FOR COMPRESSED AIR

Art. Nr.	Connection	Calibration [Bar]	Package
5302000001001	3/8"	4,6	5 units box
5302000001002	3/8"	5,6	
5302000001003	3/8"	7,4	
5302000001004	3/8"	9,3	
5302000001005	3/8"	10,4	
5302000001006	3/8"	11,2	
5302000001010	3/4"	4,6	3 units box
5302000001011	3/4"	5,6	
5302000001012	3/4"	7,4	
5302000001013	3/4"	10,4	
5302000001014	3/4"	11,2	
5302000000012	1"	5,6	1 units box
5302000000007	1"	7,4	
5302000000016	1"	10,4	
5302000000008	1"	11,2	

These valves avoid an overpressure of the air receiver tank and water pressure tank.

The choice of the valve has to be made by the Engineer, according on the maximal pressure of the tank and also considering the drain exit. All valves are provided with a CE conformity certificate from an external laboratory. Installation, maintenance and checking is also ruled according to specific national legislation.

Safety Valve



MANOMETER

They indicate the pressure in the tank. All manometers have a red signed maximum level.

Art. Nr.	Connection	Amplitude	Red level at	5 units box
		[Bar]	[Bar]	
5300000001001	1/4"	0/10	6	
5300000001002	1/4"	0/16	8	
5300000001003	1/4"	0/16	10	
5300000001004	1/4"	0/16	12	
5300000001005	1/4"	0/16	5	
5300000001006	1/4"	0/16	11	



ELASTIC EPDM MEMBRANE

Art. Nr.	Description
5700000410106	for vessel of 24 lt - 10 units box
5700000410107	for vessels 100 lt with flange Ø137 mm - 5 units box
5700000410003	for vessels 200-300 liters and 100 liters with flange Ø 254 mm
5700000410004	for vessels 500 liters
5700000410108	for vessel from 50-60 liters - produced up to 2003 - 5 units box
5700000410109	for vessel from 80 liters - produced up to 2003 - 5 units box

The elastic membrane in EPDM use are mounted on expansion vessels in order to divide the liquid from the gaseous phase. Doing so the circulating water is pure giving to the system the warranty to be suitable for drinking.

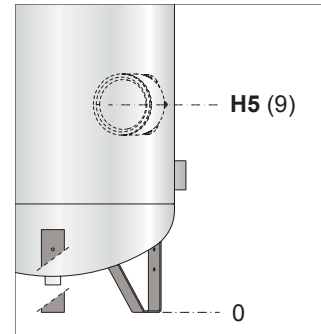


ACCESSORIES AND SPARE PARTS : COMPRESSED AIR RECEIVERS

MANHOLE - HANDHOLE

2014/68/UE		Manhole (optional)			Handhole (optional)	
Model	Working Pressure	H5	9		H5	9
	[bar]	[mm]			[mm]	
1500	8	818	400x300		818	150x100
2000		845	400x300		845	150x100
3000		985	400x300		985	150x100
4000 (*)		1011	400x300		1011	150x100
5000 (*)		1161	400x300		1161	150x100
8000		1163	400x300	standard	1163	150x100
10000		1163	400x300	standard	1163	150x100
1000	12	818	400x300		840	150x100
1500		845	400x300		818	150x100
2000		978	400x300		845	150x100
2500		985	400x300		978	150x100
3000		1011	400x300		985	150x100
4000 (*)		1161	400x300		1011	150x100
5000 (*)		1163	400x300		1161	150x100
8000		1163	400x300	standard	1163	150x100
10000		1167	400x300	standard	1163	150x100
1000	15	/	/		840	150x100
1500		818	400x300	998,00	818	150x100
2000		845	400x300		845	150x100

(*) Manhole standard on 4000 - 5000 lt Polywarm® version



ACCESSORIES AND SPARE PARTS FOR AIR COMPRESSOR RECEIVERS

Compressed Air Receivers Kit

Art. Nr.	Descrizione
5303000000001	Kit for 200 up to 710 lt compressed air receivers (11 bar), with security valve of 7.500 l./min P calibration 10,4 bar
5303000000002	Kit for 900 lt compressed air receivers (11 bar), with security valve of 29.300 l./min P calibration 10,4 bar
5303000000003	Kit for 1.000 up to 10.000 lt compressed air receivers (12 bar), with security valve of 31.400 l./min P calibration 11,2 bar
5303000000004	Kit for 1.000 up to 10.000 lt compressed air receivers (8 bar), with security valve of 21.700 l./min P calibration 7,4 bar
5303000000005	Kit for 270 up to 2.000 lt compressed air receivers (15 bar), with security valve of 9.600 l./min P calibration 13,5 bar

Includes a safety valve , a gauge (manometer) and its tap-tray.



A hand is shown on the right side of the page, holding a network diagram. The diagram consists of several white circles connected by white lines. Some lines are solid, while others are dashed. The background is a dark, textured grey. The text 'TECHNICAL SUPPORT & REGULATIONS' is centered on the left side of the page.

TECHNICAL SUPPORT & REGULATIONS



EXTRA-BOLLY®
CALORIFIERS

BOLLYTERM®
CALORIFIERS

STAINLESS STEEL
CALORIFIERS

CALORIFIERS FOR
HEAT PUMP

MULTIFUEL ENERGY
CYLINDERS - PUFFER

HYDRONIC

INERTIAL
TANKS

WATER PRESSURE
TANKS

COMPRESSED AIR
RECEIVERS

ACCESSORIES
AND SPARE PARTS

TECHNICAL
SUPPORT

INSULATIONS

THERMAL INSULATION

Thermal efficiency of calorifiers and buffer tanks Cordivari is optimized with special insulations, that are an essential component for every storing of hot water, keeping stored hot water at high temperature.

Cordivari insulations reduce at minimum level temperature losses, with consequently energy savings. Insulation on calorifiers and buffer tanks are manufactured using the best available materials.

NOFIRE® POLYESTER FLEECE

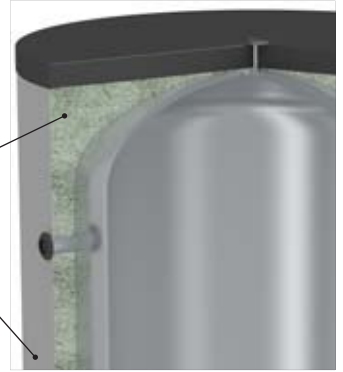


Material with low thermal conductivity. From an energetical and ecological point of view, the polyester fleece is one of best performer, obtained using recycled and environmental friendly material.

The polyester fleece is unalterable at high temperatures, flexible, durable, non-toxic, insensitive to chemicals, it doesn't rot; hygienic and transpiring.

High insulation capacity with a thermal conductivity λ of 0.039 W/mk and a fire resistance class of B-s2d0, according to european standard EN 13501.

Polyester Fleece
Grey PVC external lining



ACCUMULATION TANK A1 - GLASS WOOL INSULATION AND ALUMINIUM EXTERNAL LINING

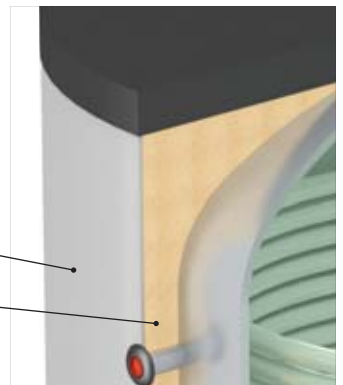


The D.H.W. Storage Tanks with insulation A1 represents the most advanced solution in terms of preventing fire risks on thermal power plants or technical rooms.










With glass wool and an external lining completely made in Aluminium material, this insulation combines the high thermal insulations properties with a fire proofing resistance class A1, according to european standard EN 13501.

Grey PVC external lining

Hardfoam Polyuretane



FIRE RESISTANCE CLASSIFICATION ACCORDING TO EUROPEAN STANDARD EN 13501

Fire Reaction		Smoke release			(drops)		
A1	FIRE PROOF	NO TEST REQUIRED			NO TEST REQUIRED		
A2	 Fireproof	s1		None	d0		No in the first 10 minutes
B	 Limited	s2		Limited	d1		Limited Dripping of incandescent materials in the last 10 seconds
C	Decreasing performance levels from C to E reaction class	s3		High			
D					d2		High
E		E	NO TEST		E	NO INDICATION or d2	
F	No performance declared						

MATERIALS

All Cordivari Products are manufactured using high level quality of raw materials and internal finishes:

316L STAINLESS STEEL



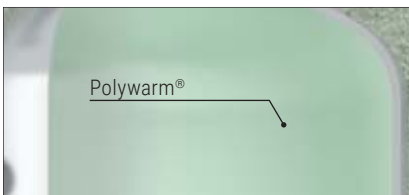
316L Stainless Steel

The choice of stainless steel material on calorifiers aims for an absolute quality result. Material with high performances, entirely hygienic and atossic, suitable for



Domestic Hot Water, resistant to low and high temperatures, 100% recyclable. Cordivari is leader in the production of 316L stainless steel (EN 1.4404) calorifiers with high quality standard levels.

POLYWARM®



Polywarm®

WATER HYGIENE AND PROTECTION

- **Drinkability and Hygiene at 100%;**
- **Elasticity E>20%;**
- **Capacities up to 6000 lt;**
- **Temperature resistance till 130°C;**
- **Thickness >200 µm for a total protection to corrosion.**



Our customer oriented approach and our long tradition as cylinder manufacturer allow us to offer cutting edge solutions for production and storage of Domestic Hot Water Cylinders.

Polywarm® properties have passed the adherence tests according to BS3900-E6 and DIN 53151, hardness tests according to ASTM D 3363-74 (matite), Impact resistance test (2 Joule) according to BS3900-E6 and at 10 kg x cm (UNI 8901). Polywarm® has excelled in chemical and durability testing (>1000 hours) in salt spray testing according to UNI 5687-73 and Humidity cycle according to UNI 8744.

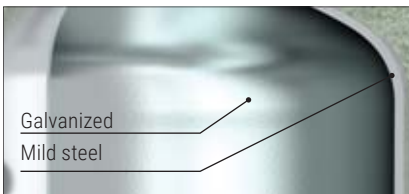
Drinkability and Hygiene at 100%, elasticity E>20%, capacities up to 6000 litres,

temperature resistance till 130°C. Thickness >200 µm for a total protection to corrosion.

Polywarm® Hygienic Certifications:

- Certificate of conformity for Domestic Hot Water of organic coating for food uses Polywarm® granted by IPL (Institut Pasteur de Lille - France).
- Test report of internal treatment for food use Polywarm® in accordance with D.M. nr. 174 del 06/04/2004 granted by SSICA Laboratory of Parma - Italy.
- Certificate OFI - Vienna, Austria, according to DVGW W270-UBA.
- WRAS - Water Regulation Advisory Scheme certificate

HOT GALVANIZING PROCESS



Galvanized
Mild steel



The galvanizing process protect the steel from corrosion, granting a long life product.

Thank to the high temperatures of the treatment, the galvanizing process helps to get better performances.

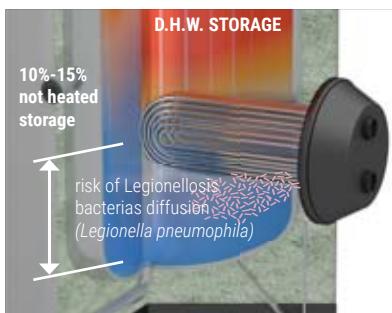
Cordivari premises are equipped with a high-tech hot galvanizing system. The tank is dipped in a melted zinc bath (99,99% pure) according to European

standard UNI EN 1179, lead percentage 100 times less than the maximal value permitted by D.M. n.174 dated 06/04/2004. Cordivari galvanizing process does not contain dangerous material, so to be certified for drinkable water use.

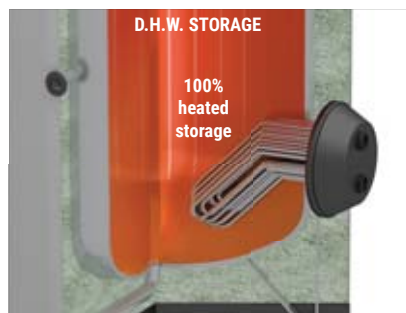
HIGH PERFORMANCES ANTI-LEGIONELLA® HEAT EXCHANGER

D.H.W. OPTIMIZED ACCUMULATION

Cordivari Heat Exchanger, with tubes bent to the bottom, are able to heat the complete quantity of water in an homogenous way, also in the lower part of the calorifier. This will ensure total production of the stored of D.H.W. in the calorifier. (10%-15% more than standard heat exchangers). Maximal hygiene will be guaranteed.



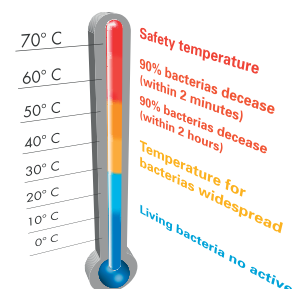
STRAIGHT HEAT EXCHANGER: between 10% - 15% of storage volume is not heated with relevant thermal inefficiencies and risk of Legionellosis bacteria diffusion.



BENDED HEAT EXCHANGER: 100% volume will be heated with relevant thermal efficiency and D.H.W. healthiness increase.



"EASY CONTROL" Electronic Display mounted on Cordivari calorifiers allows also to plan periodically sanitary water heating in order to ensure its healthiness.



THERMAL STRATIFICATION

Thermal stratification is a physical process in which an hot fluid naturally tends to position itself higher than the cold one.

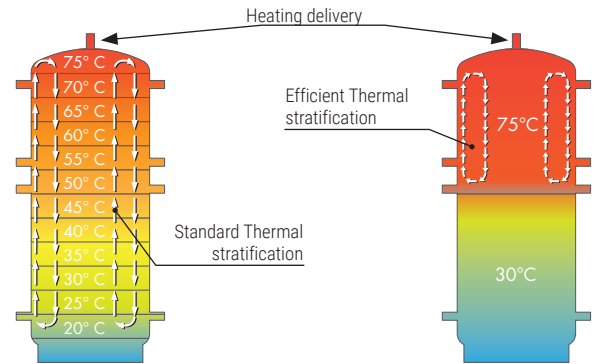
The fluid (water) is always moving, and tends to remix, therefore the natural process of stratification must be supported to maintain an increasing temperature gradient from bottom to upper part and avoid the mixing of liquid at different temperatures.

To allow stratification into the tanks means to create a remarkable difference in temperature storing volume from upper to lower part. With important positive effects in terms of efficiency.

A proper stratificated storing means to have quantities of hot water available in short time.

Example of stratification:

Heat received during the day is accumulated in the higher part of the tank, reaching a suitable temperature for end user, while in the lower part temperature remains cold and even when solar collectors have a temperature below the one needed (afternoon-evening), the heat exchanger continues and tanks is storing further energy.

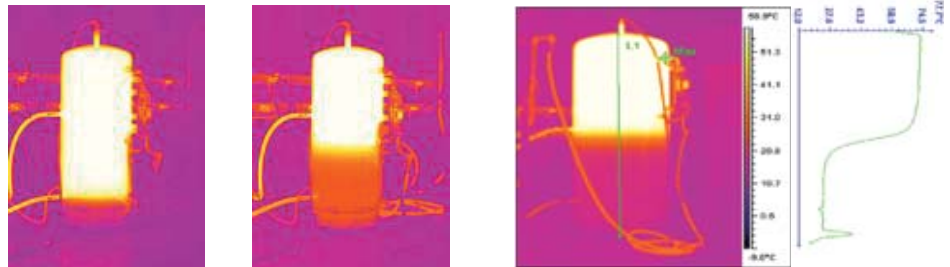


THE TECHNICAL SOLUTIONS FOR THE OPTIMIZATION OF THERMAL STRATIFICATION

“LABYRINTH SPREADER” (CORDIVARI PATENT)

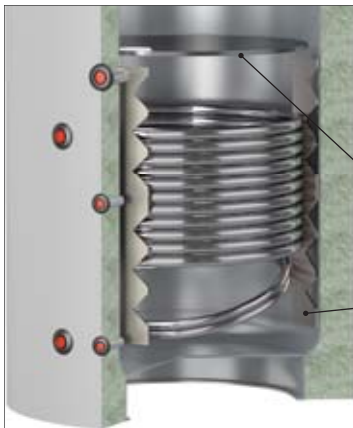


Performances are optimized thanks to the “Labyrinth Spreader” (Cordivari Patent). Its spread shape allows a perfect stratification of the water that returns back from the plate exchange to the tank. Heating installation efficiency is guaranteed.

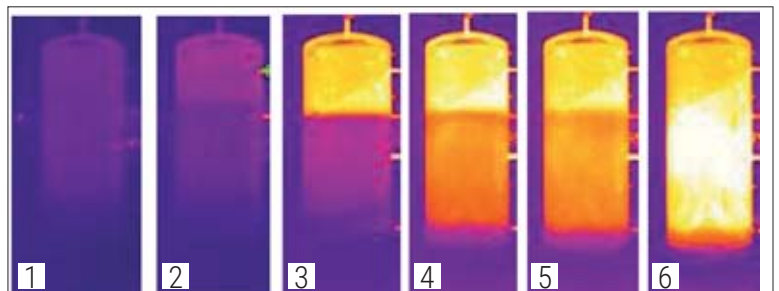


Sequence of thermographic images that show how Labyrinth Spreader works.

EASY STRATIFICATION BUFFERS (Cordivari Patent)

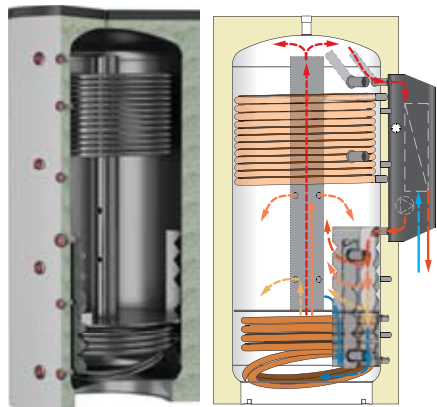


The heating return stratification system (Cordivari patent), avoid any turbulences, that would affect the thermal stratification inside the buffer tank. Thanks to this optimized solution, efficiency and energy savings are continuously improved.



Sequence of thermographic images that show how a system works with the easy stratification Buffer.

NEW BUFFER TANKS CTS®



The new range of Buffer Tanks CTS® are Cordivari’s last innovative storage tanks designed for Solar Thermal Systems.

The exclusive Stratification device CTS® allows to have a prompt delivery of energy suitable for the production of hot water.

The energy absorbed from the Solar Collectors is efficiently stratified in the upper part of the tank through the CTS® stratification device and separation plate already assembled in Buffer CTS®.

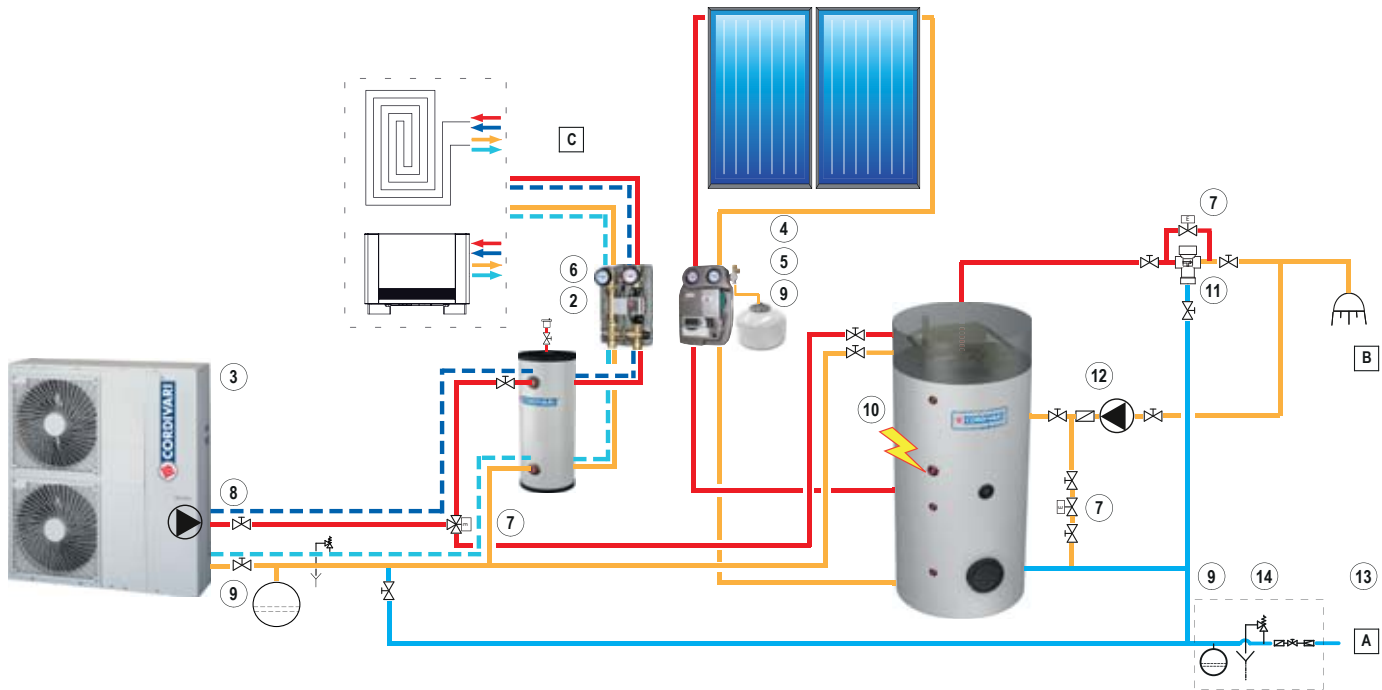
The thermal stratification inside the Buffer tanks will be then improved naturally, without any external valves thanks to the mixed combination of:

1. Labyrinth Spreader that allows a perfect stratification of the water that returns back from user thanks to its spread shape avoiding mixes of temperatures of stored water
2. Upper thermal loading systems that concentrates in the upper part of the tank hot water produced by the lower solar fixed coil in short time and high temperature.
3. Lower fixed Heat Exchanger designed for an optimal relation between space and efficiency.

EXAMPLE OF INSTALLATION

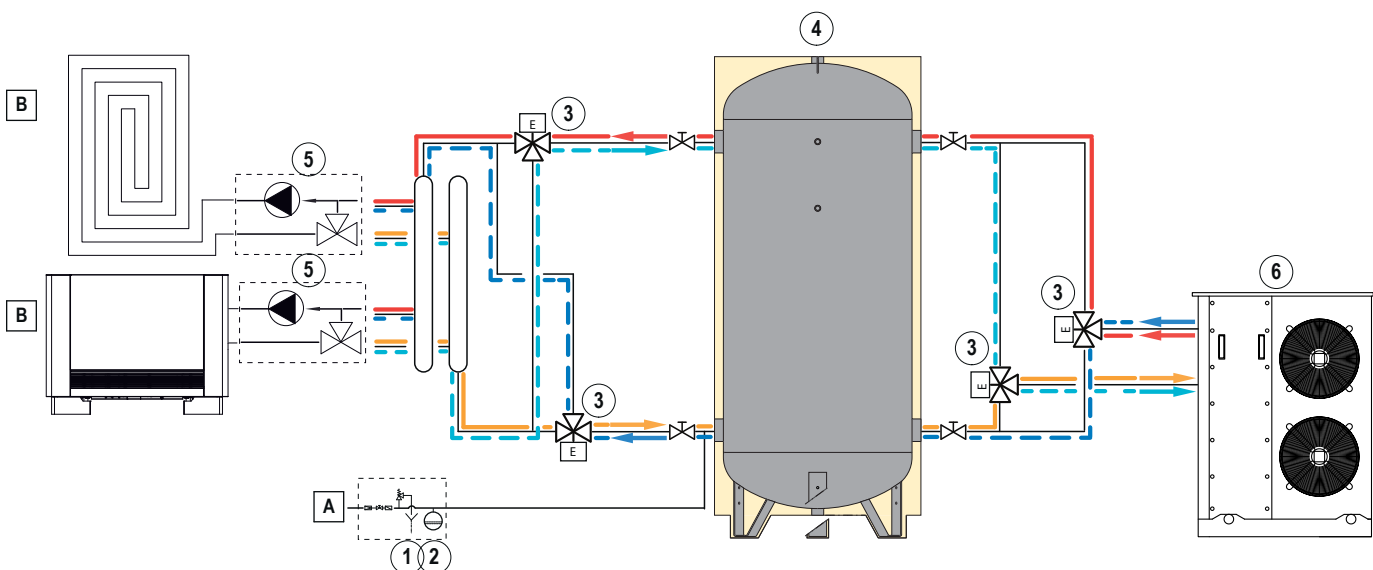
INSTALLATION WITH BOLLY® 2 PDC AND SOLAR THERMAL SYSTEM

A	Domestic cold water circuit inlet	4	Solar thermal panels	10	Electrical immersion
B	Domestic hot water users	5	Solar circulation group	11	Thermostat mixer
C	Radiators/heating terminals	6	Circulation and Mixed Pump module	12	D.H.W. recirculation group
1	BOLLY® 2 PDC	7	Electronic valve	13	Hydraulic safety group
2	VOLANO TERMICO PDC	8	Circulation group	14	Safety Valve
3	Heat pump	9	Expansion vessel		



HOT/COLD WATER INSTALLATION WITH ENERGY BUFFER (VOLANO TERMICO)

A	Domestic cold water circuit inlet
B	Terminals of the thermal installation
1	Safety Valve
2	Expansion vessel
3	Electronic valve (winter/summer)
4	VOLANO TERMICO
5	Circulation and Mixed Pump module
6	Heat pump

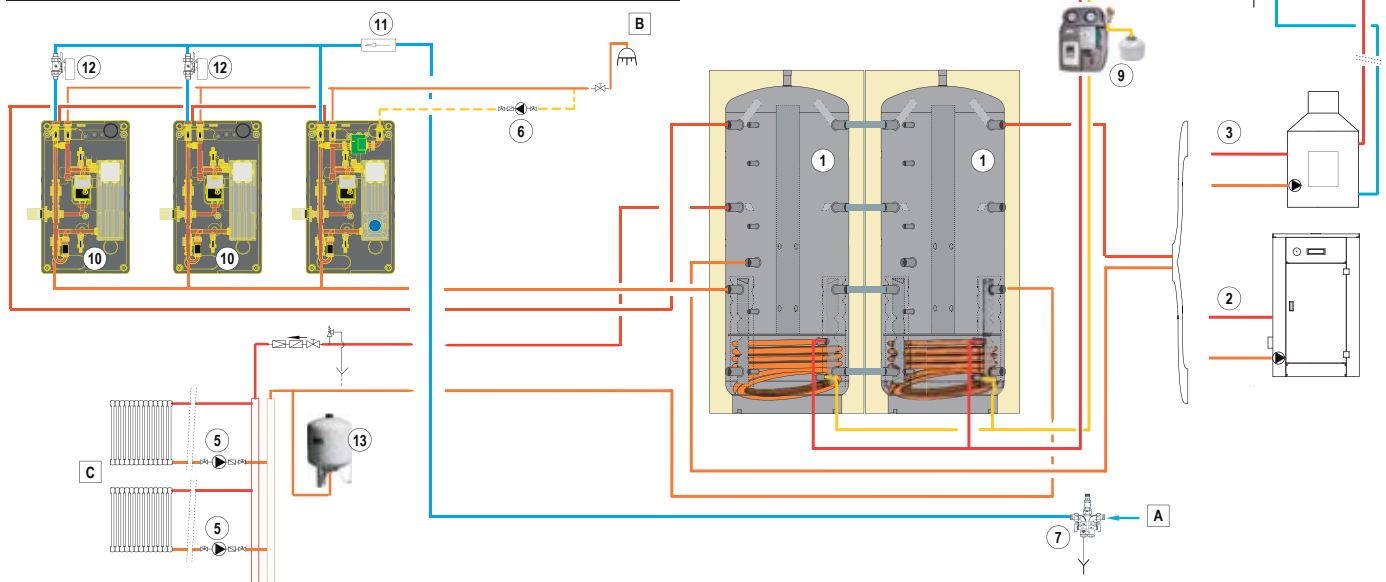


The following schemes are purely illustrative. To realize the installation, always refer to a qualified design engineer.

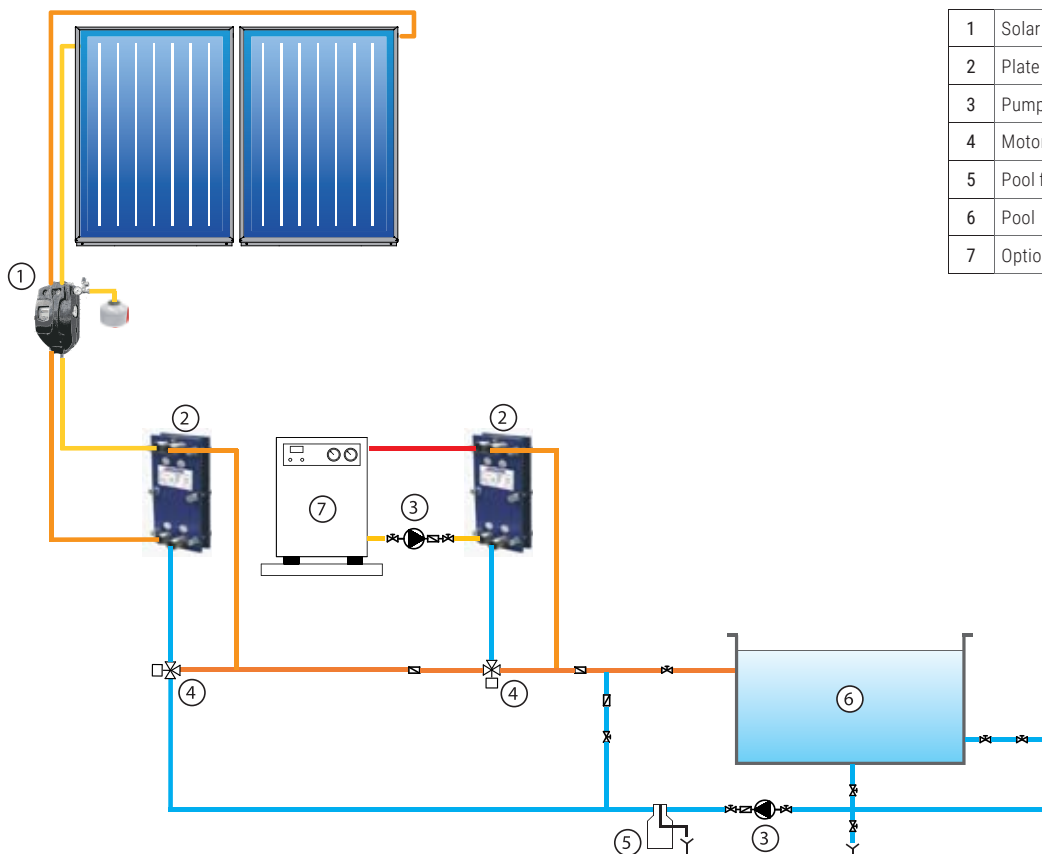
EXAMPLE OF INSTALLATION

INSTALLATION WITH PUFFER 1 CTS® (CONNECTION KIT) AND MACS® MODULE SYSTEM

A	Domestic cold water circuit inlet	6	D.H.W. Recirculation
B	Domestic hot water users	7	Hydraulic safety group
C	Radiators/heating terminals	8	Solar panels
1	PUFFER 1 CTS® connected	9	Solar system Solar circulation group
2	Biomass energy source	10	MACS® module system for D.H.W. production
3	Fireplace	11	Flow switch
4	Opened expansion vessel	12	2-way valve
5	Circulation group		



INSTALLATION WITH PLATE-TO-PLATE HEAT EXCHANGERS AND SOLAR THERMAL SYSTEM FOR POOL HEATING

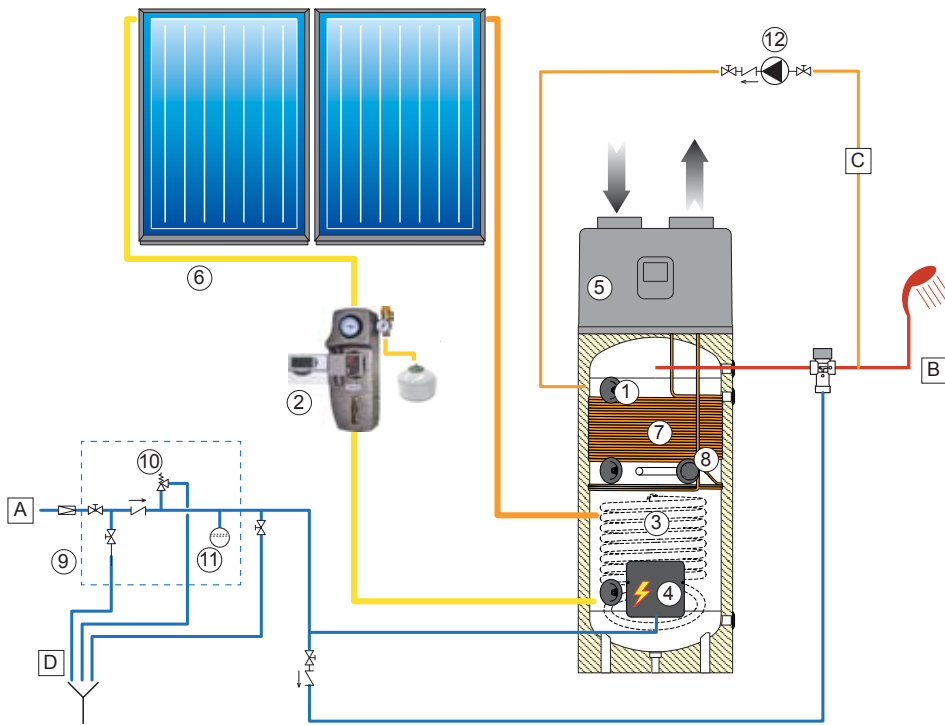


1	Solar thermal system circulation group
2	Plate heat exchanger
3	Pump
4	Motorized 3-way valve
5	Pool filter
6	Pool
7	Optional Generator

The following schemes are purely illustrative. To realize the installation, always refer to a qualified design engineer.

EXAMPLE OF INSTALLATION

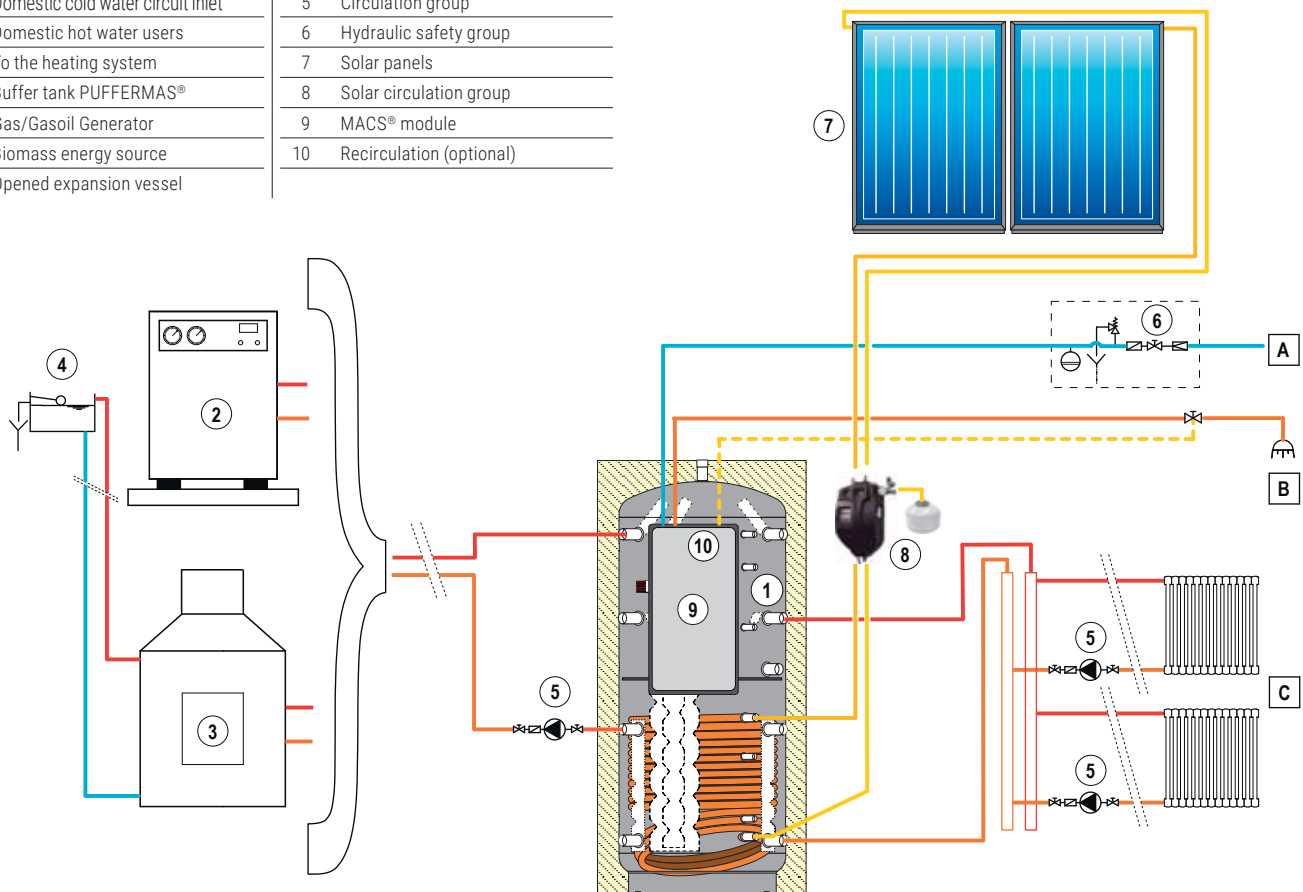
INSTALLATION WITH BOLLYTERM HP®



A	Domestic cold water circuit inlet
B	Domestic hot water users
C	Recirculation
D	Drain
1	BOLLYTERM® HP
2	Circulation group + expansion vessel Solar Thermal System
3	Heat exchanger
4	Electrical immersion
5	Integrated heat pump
6	Solar panels
7	Heat pump heat Exchanger
8	Magnesium anode + AnodenTester
9	Hydraulic safety group
10	Safety Valve
11	Expansion vessel
12	Recirculation

IMPIANTO CON PUFFERMAS®

A	Domestic cold water circuit inlet	5	Circulation group
B	Domestic hot water users	6	Hydraulic safety group
C	To the heating system	7	Solar panels
1	Buffer tank PUFFERMAS®	8	Solar circulation group
2	Gas/Gasoil Generator	9	MACS® module
3	Biomass energy source	10	Recirculation (optional)
4	Opened expansion vessel		

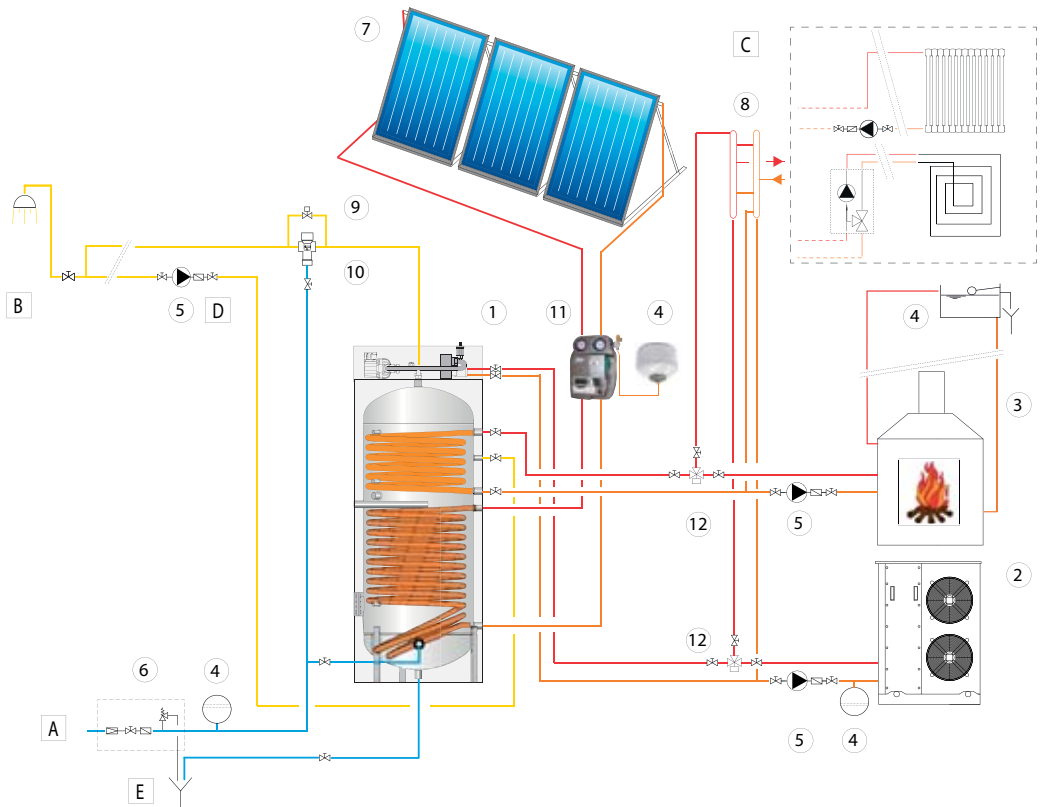


The following schemes are purely illustrative. To realize the installation, always refer to a qualified design engineer.

EXAMPLE OF INSTALLATION

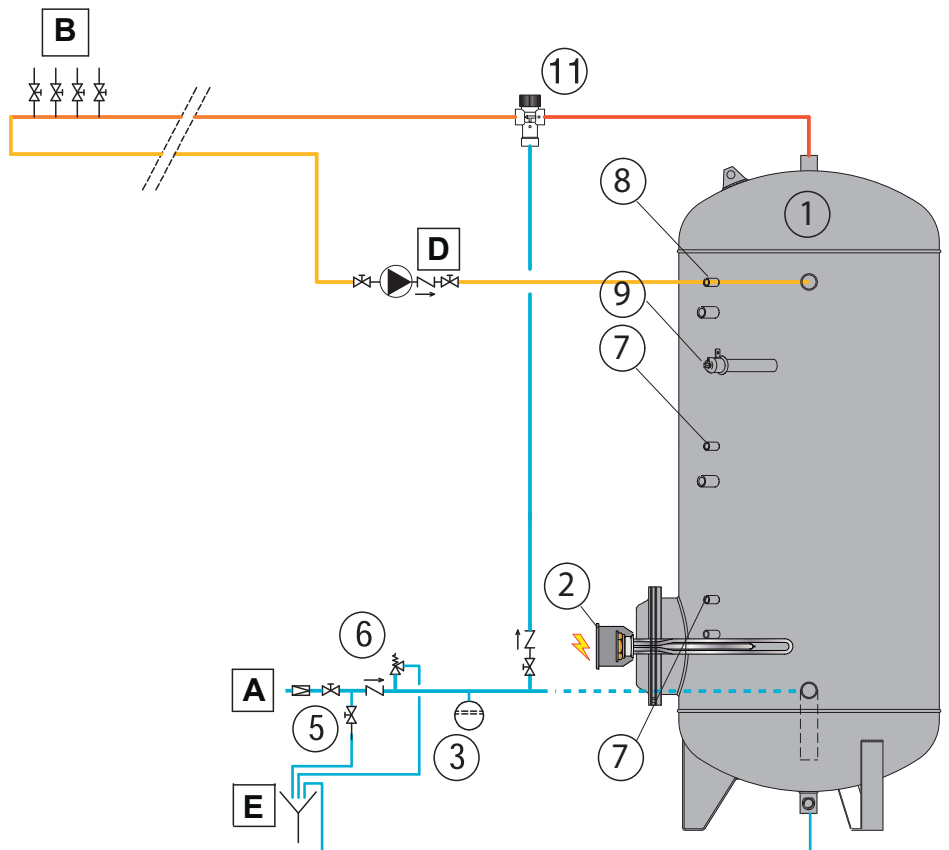
INSTALLATION WITH BOLLY® 3 PDC

1	Bolly® 3 pdc
2	Heat pump
3	Fireplace
4	Expansion vessel
5	Circulation group electronic
6	Hydraulic safety group
7	Solar panels
8	Catcher/ Collector
9	Bypass solenoid valve
10	Thermostat mixer
11	Solar station
12	Motorized 3-way valve
A	Domestic cold water circuit inlet
B	Domestic hot water user
C	Heating system
D	D.H.W. recirculation group
E	Drain



INSTALLATION WITH INERTIAL TANK AND ELECTRICAL IMMERSION RESISTANCE

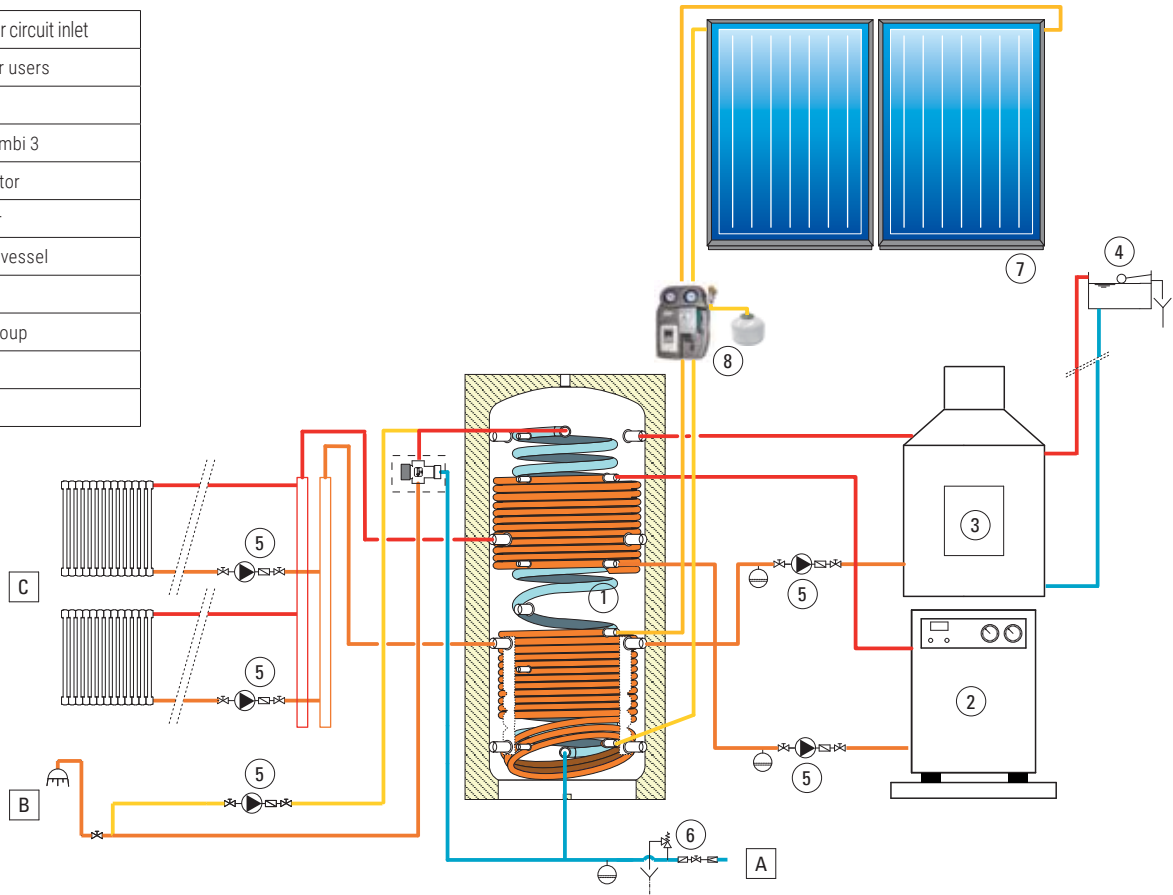
A	Domestic Water entry
B	Domestic Hot Water user
D	Recirculation
E	Drain
1	VASO INERZIALE (storage tank)
2	Electrical immersion
3	Expansion vessel
5	Hydraulic safety group
6	Safety Valve
7	Thermostat
8	Thermometer
9	Magnesium anode
11	Thermostat mixer



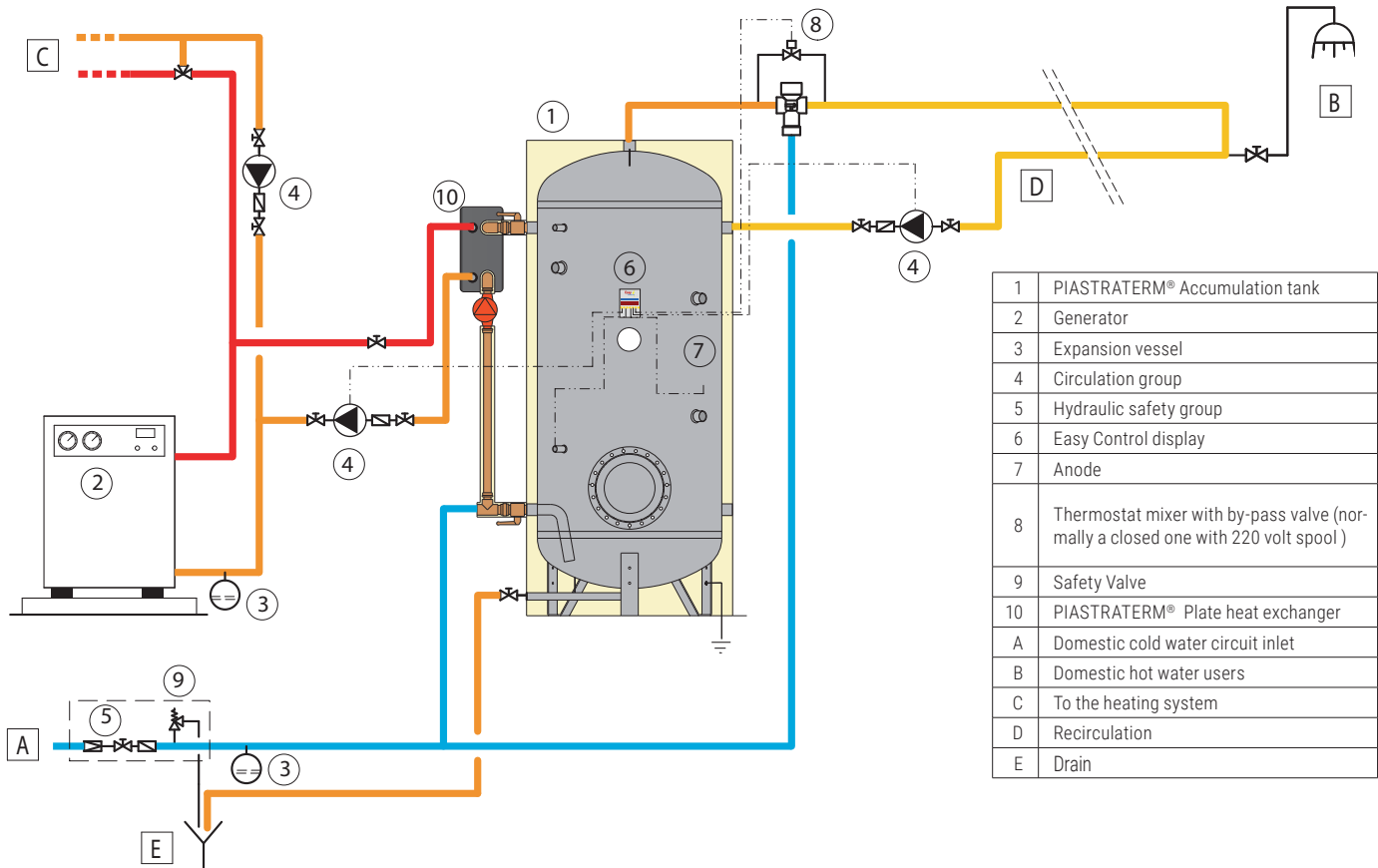
The following schemes are purely illustrative. To realize the installation, always refer to a qualified design engineer.

INSTALLATION WITH ECO COMBI 3

A	Domestic cold water circuit inlet
B	Domestic hot water users
C	Heating system
1	Buffer tank Eco Combi 3
2	Gas/Gasoil Generator
3	Biomass Generator
4	Opened expansion vessel
5	Circulation group
6	Hydraulic safety group
7	Solar panels
8	Circulation group



INSTALLATION WITH PIASTRATERM®



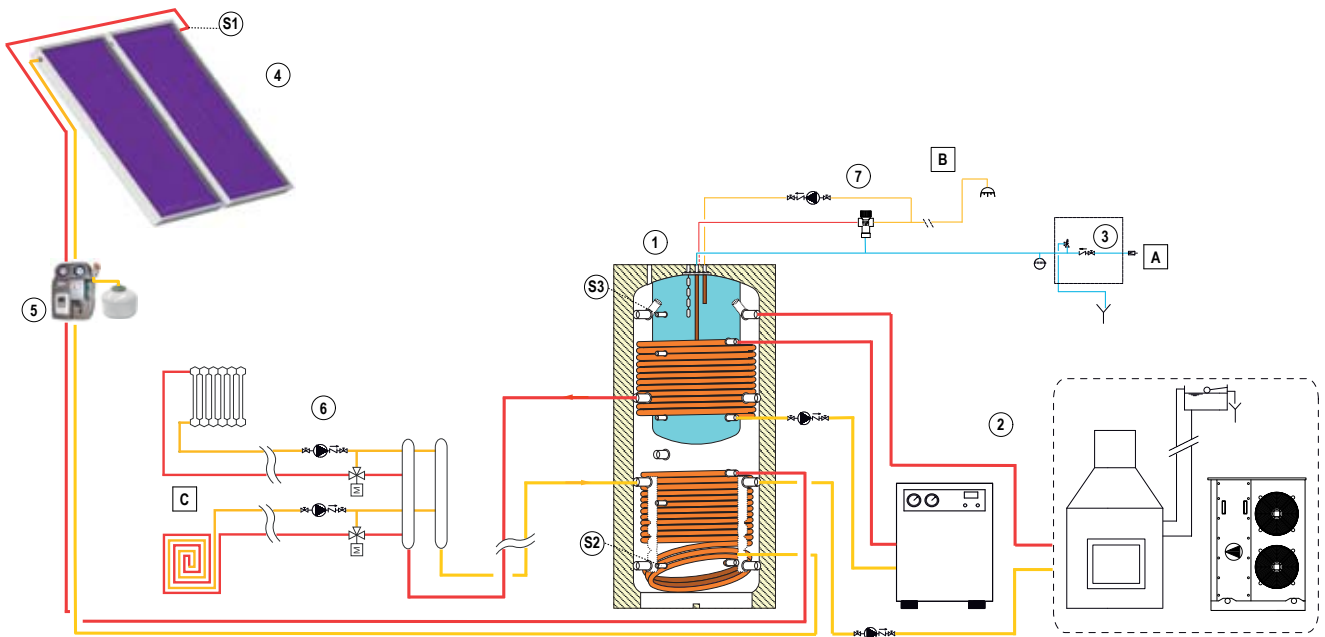
1	PIASTRATERM® Accumulation tank
2	Generator
3	Expansion vessel
4	Circulation group
5	Hydraulic safety group
6	Easy Control display
7	Anode
8	Thermostat mixer with by-pass valve (normally a closed one with 220 volt spool)
9	Safety Valve
10	PIASTRATERM® Plate heat exchanger
A	Domestic cold water circuit inlet
B	Domestic hot water users
C	To the heating system
D	Recirculation
E	Drain

The following schemes are purely illustrative. To realize the installation, always refer to a qualified design engineer.

EXTRA-BOLLY® CALORIFIERS
 BOLLYTERM® CALORIFIERS
 STAINLESS STEEL CALORIFIERS
 CALORIFIERS FOR HEAT PUMP
 MULTIFUEL ENERGY CYLINDERS - PUFFER
 HYDRONIC
 INERTIAL TANKS
 WATER PRESSURE TANKS
 COMPRESSED AIR RECEIVERS
 ACCESSORIES AND SPARE PARTS
 TECHNICAL SUPPORT

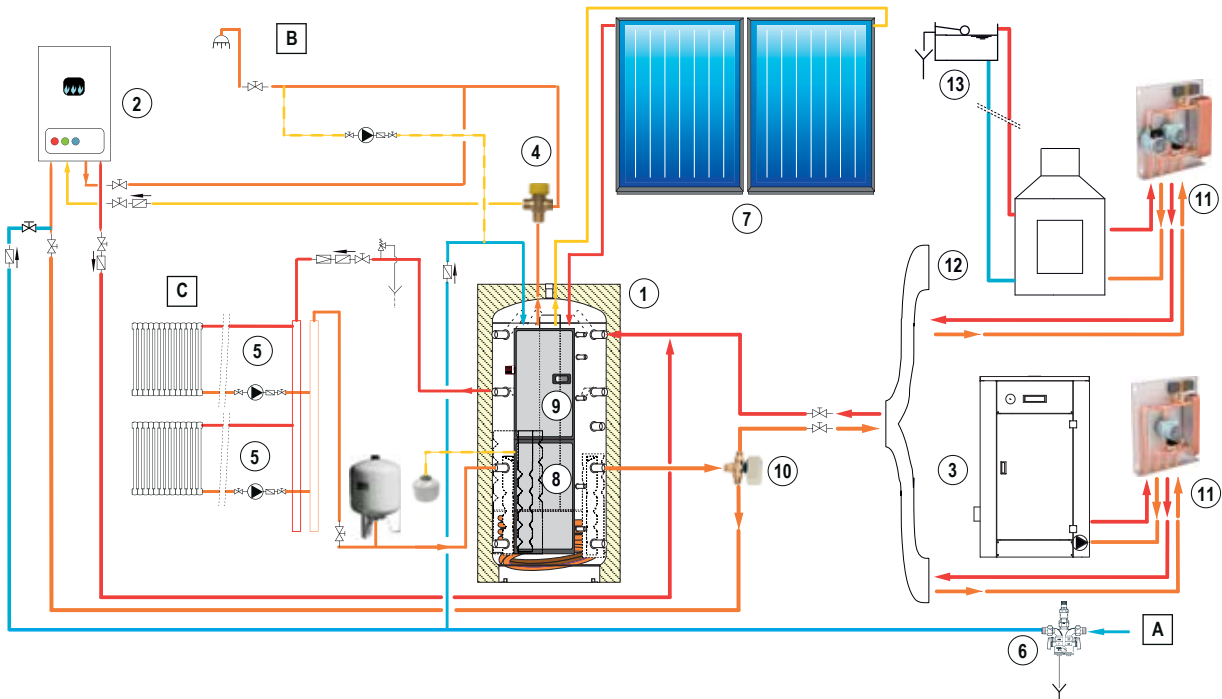
EXAMPLE OF INSTALLATION

INSTALLATION WITH COMBI 3



A	Domestic cold water circuit inlet	2	Gas Generator	S1	Professional gear case probe	7	DHW recirculation group / Mixing valve
B	Domestic hot water users	3	Hydraulic safety group	S2			
C	Radiators/heating terminals	4	Solar panels	S3			
1	COMBI 3 Buffer tank	5	Professional circulator group	6	Professional circulator group		

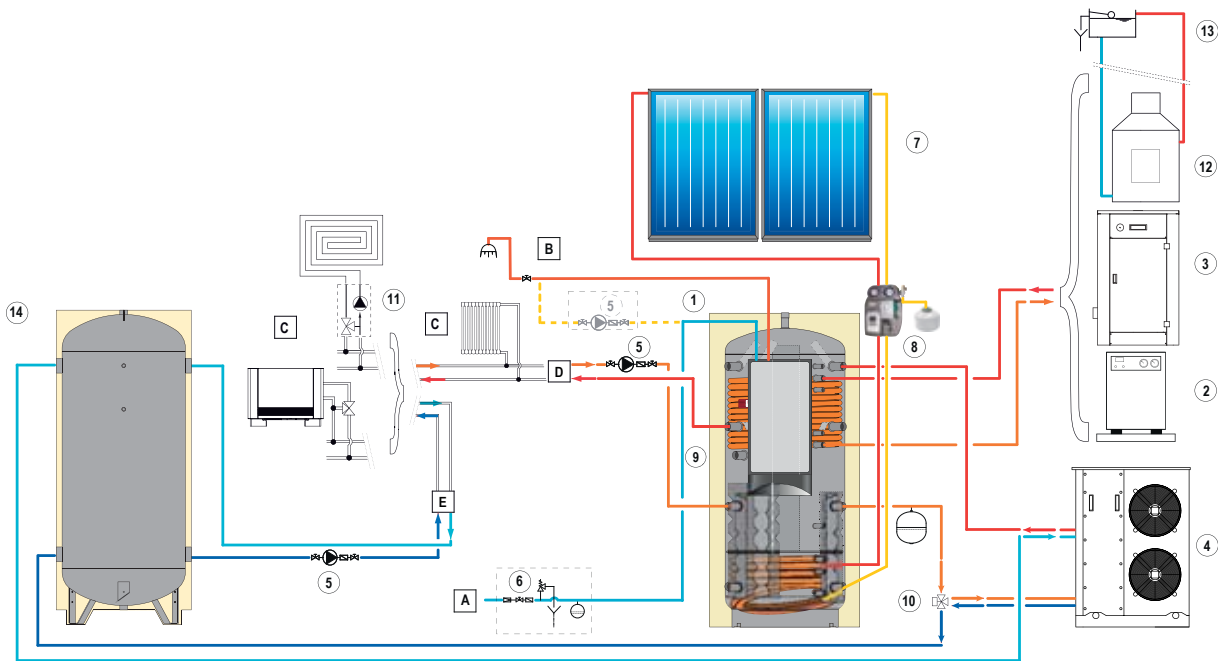
INSTALLATION WITH PUFFERMAS® 1 CTS POWER



A	Domestic cold water circuit inlet	2	Gas generator	6	Hydraulic safety group	10	Automatic mixing valve
B	Domestic hot water users	3	Biomass energy source	7	Solar panels	11	Hydronic modules
C	Radiators/heating terminals	4	Thermostatic mixer	8	Solar system circulation group	12	Fireplace
1	PUFFERMAS® CTS 1 POWER	5	Circulation group	9	MACS® module for DHW production	13	Opened expansion vessel

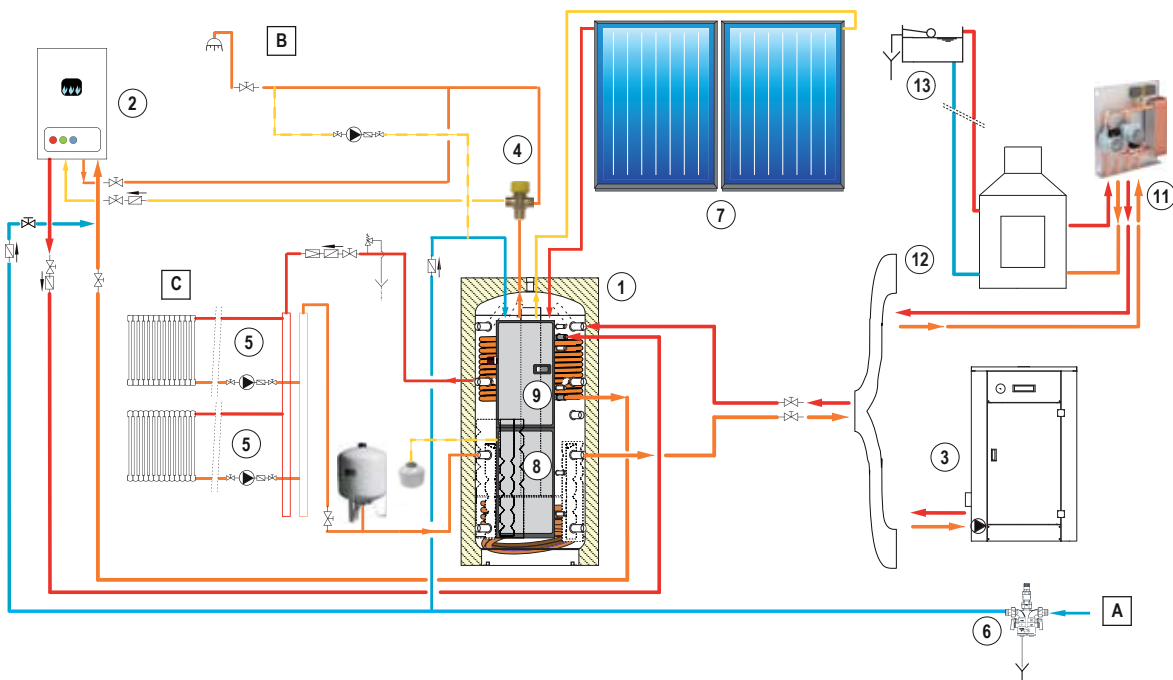
The following schemes are purely illustrative. To realize the installation, always refer to a qualified design engineer.

HOT/COLD INSTALLATION WITH PUFFERMAS® 2 CTS AND CHILLED WATER ACCUMULATION TANK



A	Domestic cold water circuit inlet	1	PUFFERMAS® 2 CTS	6	Hydraulic safety group	11	Circulation group
B	Domestic hot water users	2	Gas generator	7	Solar panels	12	Fireplace
C	Radiators/heating terminals	3	Biomass energy source	8	Solar circulation group	13	Opened expansion vessel
D	Heating hydronic circuit	4	Heat pump	9	MACS® module for DHW production	14	Chilled water accumulation tank
E	Coolant hydronic circuit	5	Circulation group	10	Automatic mixing valve		

INSTALLATION WITH PUFFERMAS® 2 CTS POWER

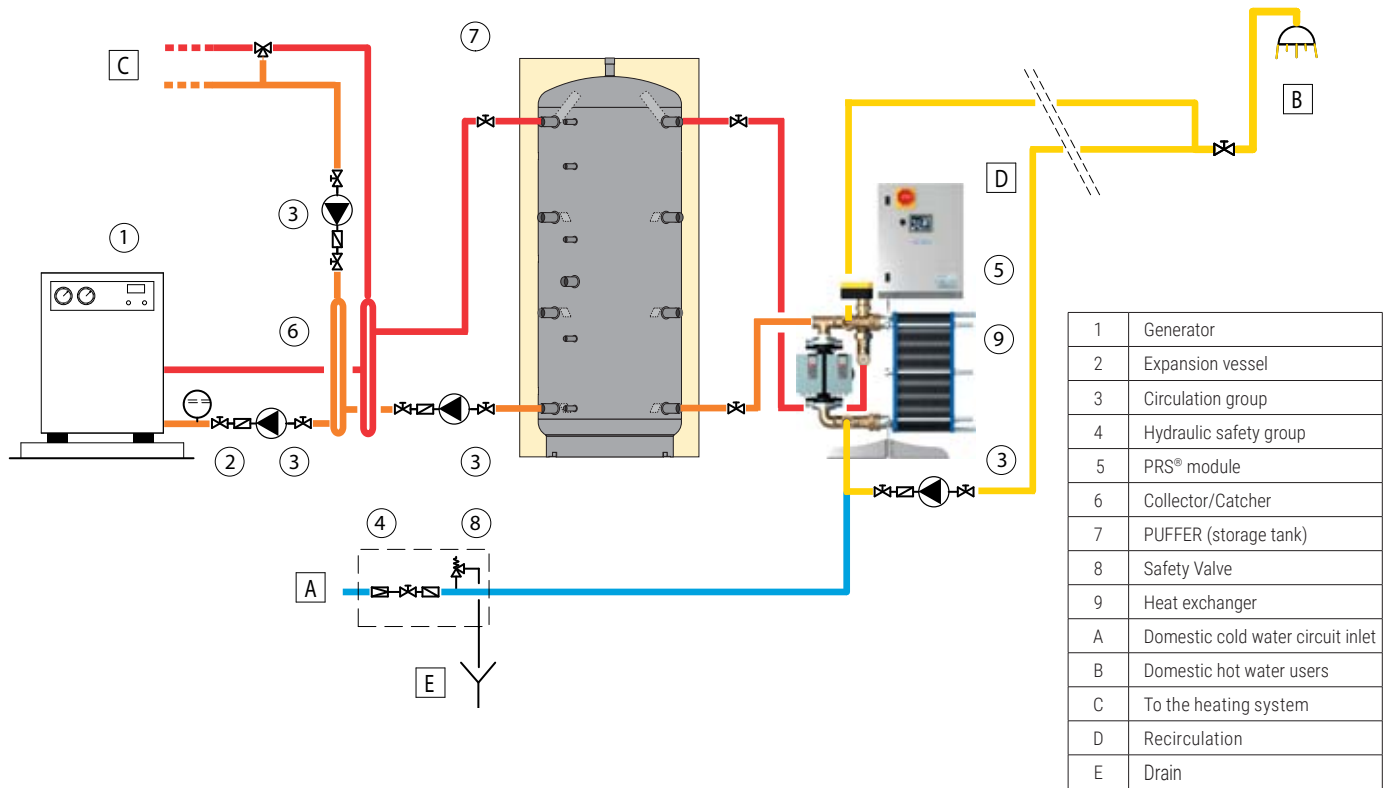


A	Domestic cold water circuit inlet	3	Biomass energy source	8	Solar circulation group
B	Domestic hot water users	4	Thermostatic mixer	9	MACS® module for DHW production
C	Radiators/heating terminals	5	Circulation group	11	Hydronic modules
1	PUFFERMAS® 2 CTS POWER	6	Hydraulic safety group	12	Fireplace
2	Gas generator	7	Solar panels	13	Opened expansion vessel

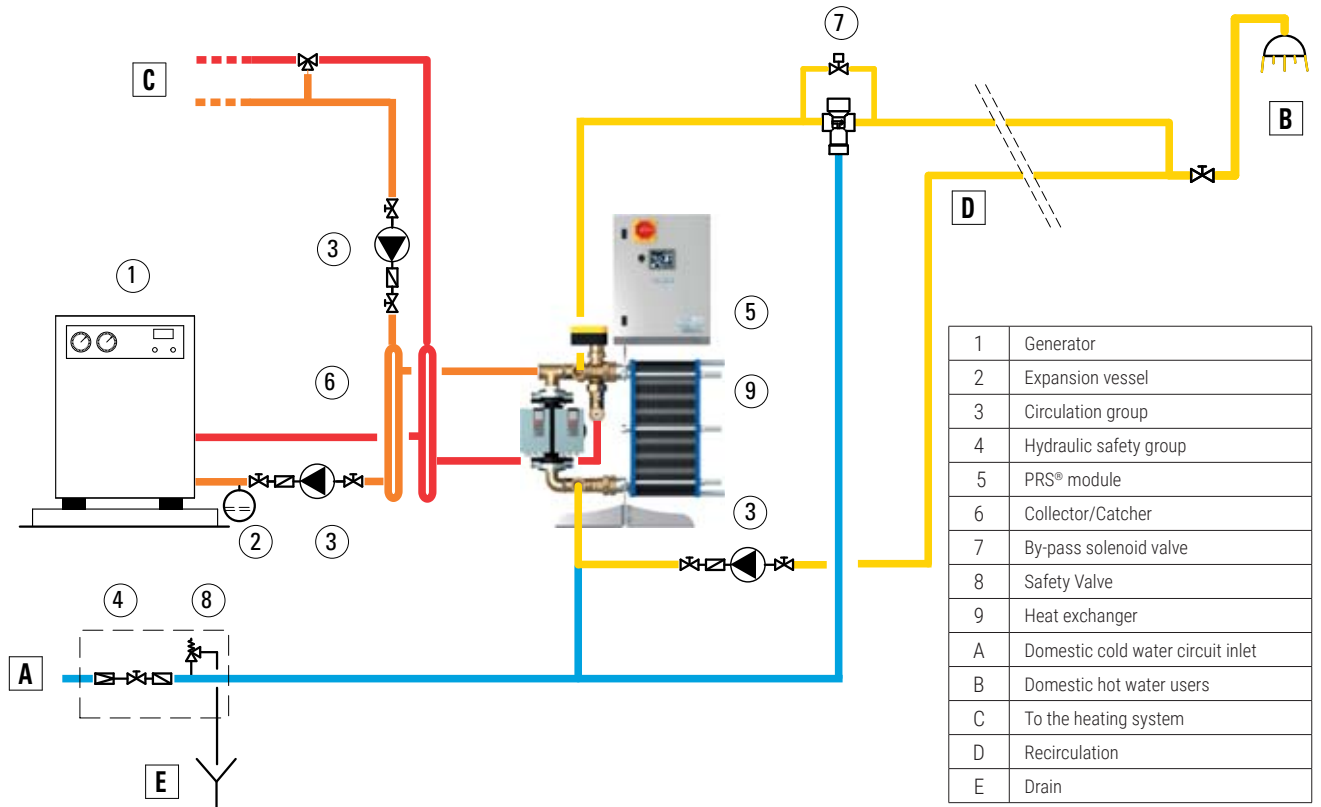
The following schemes are purely illustrative. To realize the installation, always refer to a qualified design engineer.

EXAMPLE OF INSTALLATION

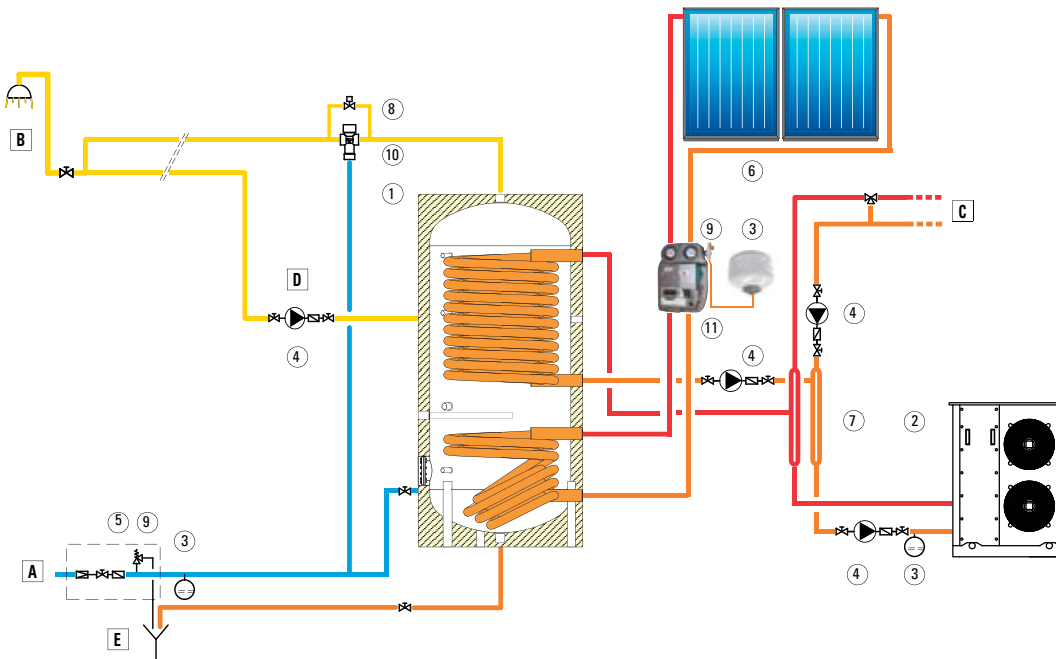
INSTALLATION WITH PRS[®] MODULE AND STORAGE



INSTALLATION WITH PRS[®] MODULE WITHOUT STORAGE

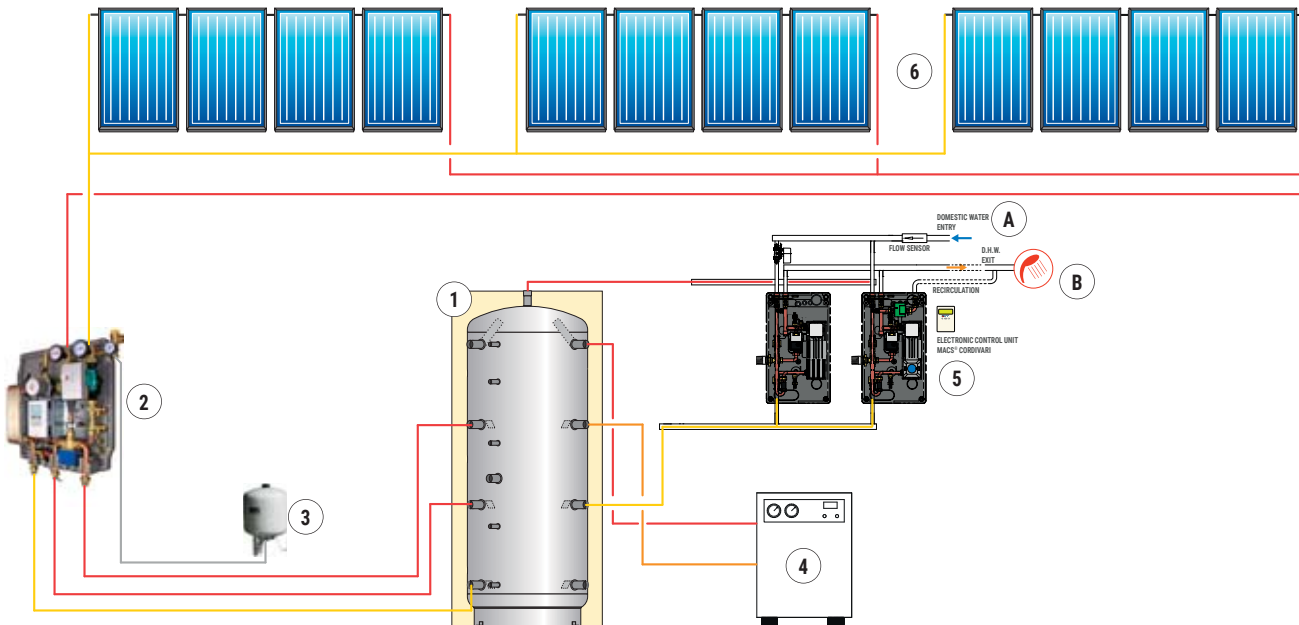


INSTALLATION WITH STAINLESS STEEL BOLLY® 2 XL



1	Bolly 2 XL INOX	5	Hydraulic safety group	9	Safety Valve	B	Domestic hot water users
2	Heat pump	6	Solar panels	10	Thermostat mixer	C	To the heating system
3	Expansion vessel	7	Catcher/ Collector	11	Solar station	D	Recirculation
4	Circulation group	8	Bypass solenoid valve	A	Domestic cold water circuit inlet	E	Drain

INSTALLATION WITH PUFFER AND MACS® MODULE



A	Domestic cold water circuit inlet	1	Storage tank	3	Solar System expansion vessel	5	DHW production modules (MACS®)
B	Domestic hot water user	2	Solar external exchange module	4	From/to generator	6	Solar panels

EXTRA-BOLLY®
CALORIFIERS

BOLLYTERM®
CALORIFIERS

STAINLESS STEEL
CALORIFIERS

CALORIFIERS FOR
HEAT PUMP

MULTIFUEL ENERGY
CYLINDERS - PUFFER

HYDRONIC

INERTIAL
TANKS

WATER PRESSURE
TANKS

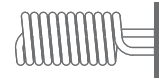
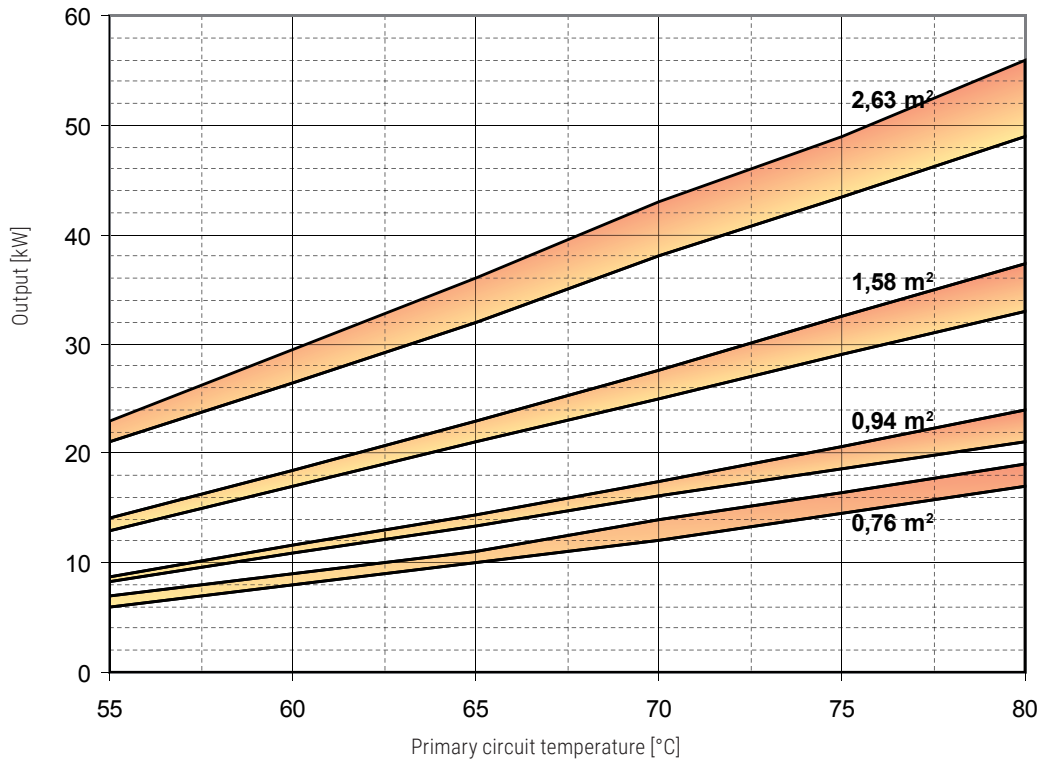
COMPRESSED AIR
RECEIVERS

ACCESSORIES
AND SPARE PARTS

TECHNICAL
SUPPORT

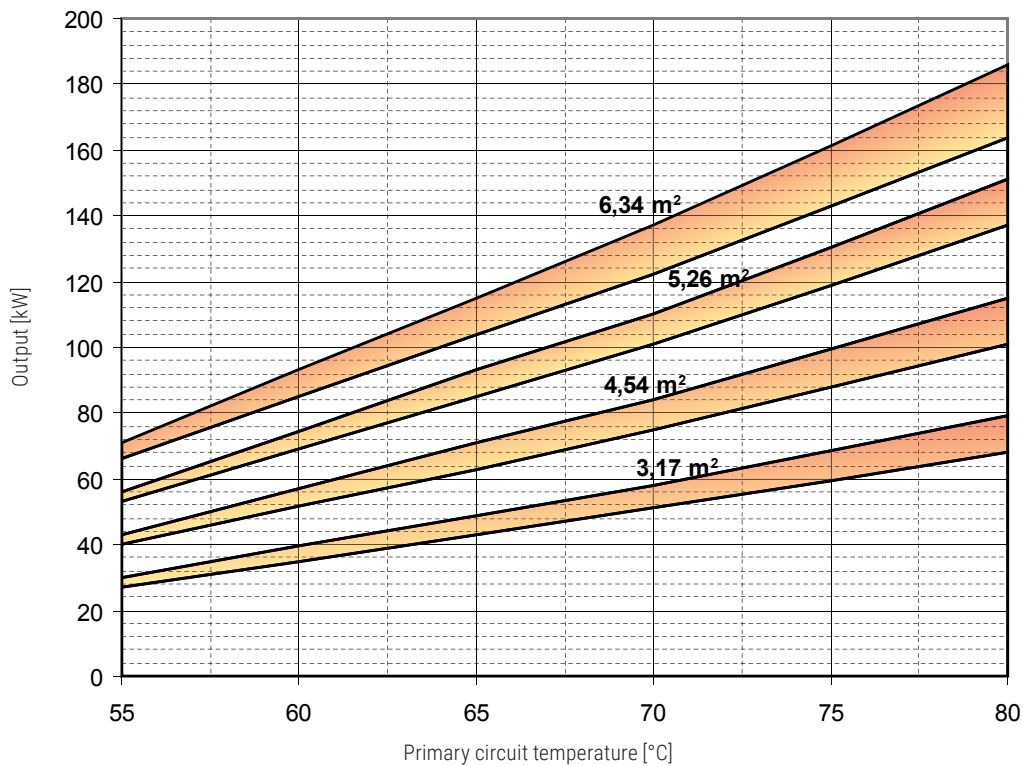
HEAT EXCHANGER OUTPUT CHARTS

EXTRA PLUS CALORIFIERS HEAT EXCHANGER OUTPUT REFERRED TO TEMPERATURE AND FLOW RATE OF PRIMARY AND SECONDARY 10/45°C AT MAXIMUM WITHDRAWAL OF PRODUCIBLE DHW (UPPER LIMIT OF THE CURVES REFERRED TO MAXIMUM PRIMARY FLOW RATE IN THE HEAT EXCHANGER, WHILE THE LOWER LIMIT IN THE CURVE REFERS TO THE MINIMUM PRIMARY FLOW RATE).



**EXTRA PLUS
CALORIFIERS RANGE**

Extractable heat exchanger surface	0,76 m ²		0,94 m ²		1,58 m ²		2,63 m ²	
	MAX	MIN	MAX	MIN	MAX	MIN	MAX	MIN
Flow rate [m ³ /h]	1,4	0,7	1,4	0,7	1,4	0,7	1,4	0,7

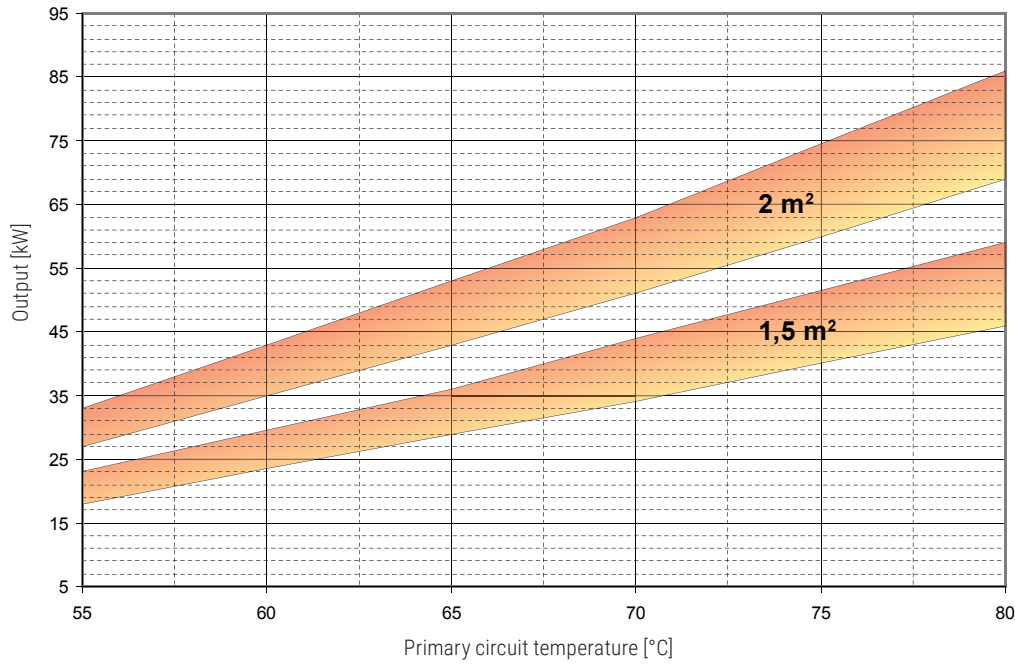


**EXTRA PLUS
CALORIFIERS RANGE**

Extractable heat exchanger surface	3,17 m ²		4,54 m ²		5,26 m ²		6,34 m ²	
	MAX	MIN	MAX	MIN	MAX	MIN	MAX	MIN
Flow rate [m ³ /h]	1,4	0,7	3	1,5	3	1,5	3	1,5

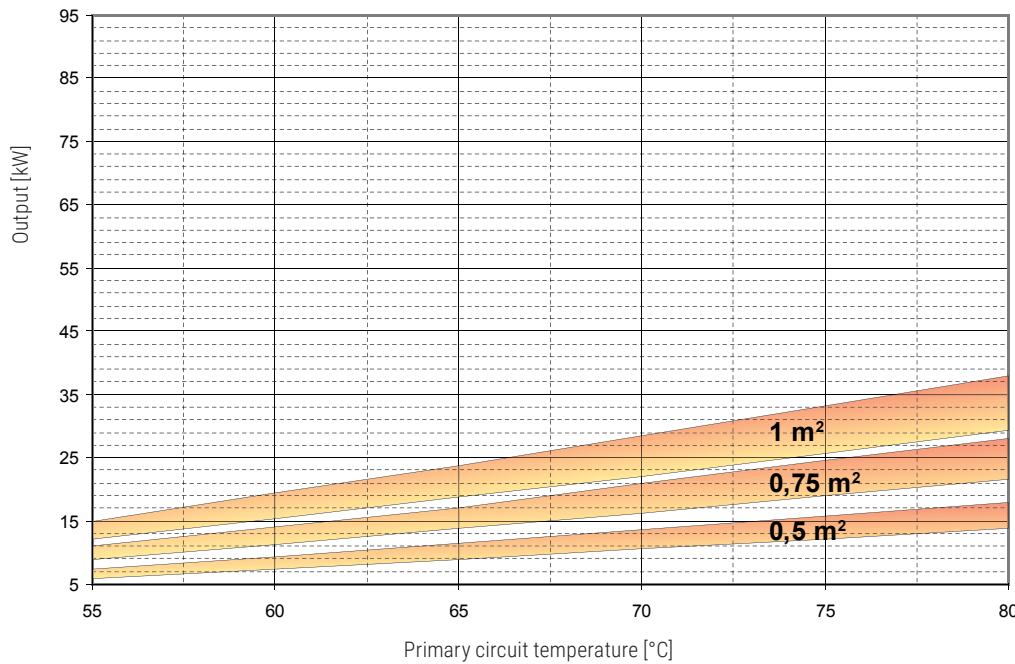
HEAT EXCHANGER OUTPUT CHARTS

HEAT EXCHANGER OUTPUT REFERRED TO TEMPERATURE AND FLOW RATE OF PRIMARY CIRCUIT AND WITH SECONDARY AT 10/45°C AT MAXIMUM WITHDRAWAL OF PRODUCIBLE DHW (UPPER LIMIT OF THE CURVES REFERRED TO MAXIMUM PRIMARY FLOW RATE IN THE HEAT EXCHANGER, WHILE THE LOWER LIMIT IN THE CURVE REFERS TO THE MINIMUM PRIMARY FLOW RATE)



EXTRA CALORIFIERS RANGE

Extractable heat exchanger surface	1,5 m ²		2 m ²	
	MAX	MIN	MAX	MIN
Flow rate [m ³ /h]	6	3	10	5



EXTRA CALORIFIERS RANGE

Extractable heat exchanger surface	0,5 m ²		0,75 m ²		1 m ²	
	MAX	MIN	MAX	MIN	MAX	MIN
Flow rate [m ³ /h]	2	1	3	1,5	4	2

EXTRA-BOLLY® CALORIFIERS

BOLLYTERM® CALORIFIERS

STAINLESS STEEL CALORIFIERS

CALORIFIERS FOR HEAT PUMP

MULTIFUEL ENERGY CYLINDERS - PUFFER

HYDRONIC

INERTIAL TANKS

WATER PRESSURE TANKS

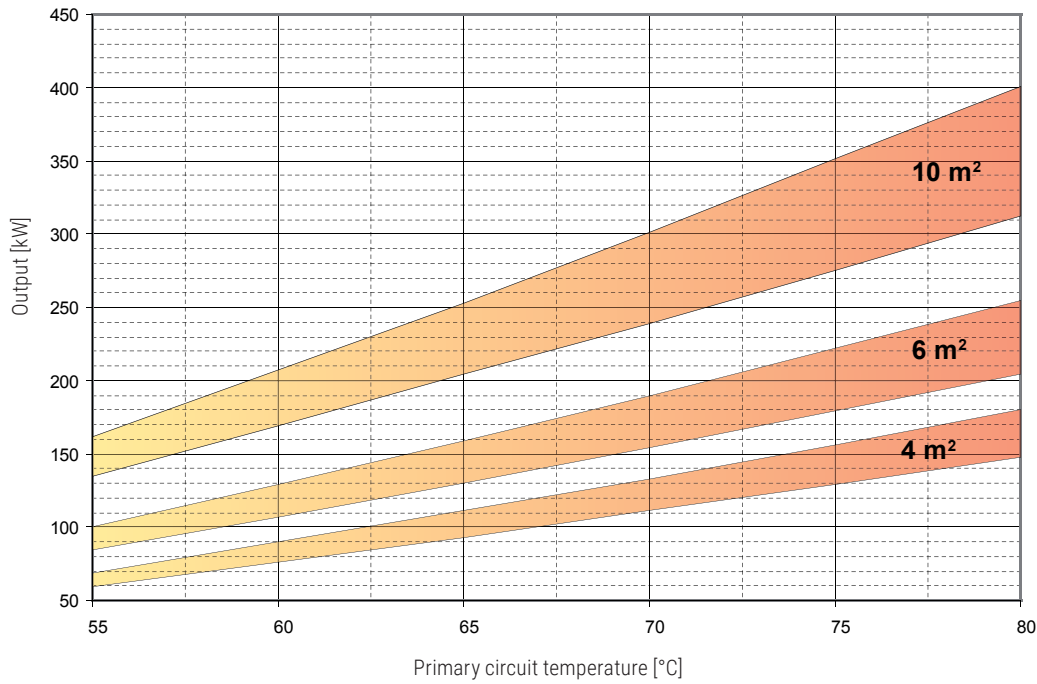
COMPRESSED AIR RECEIVERS

ACCESSORIES AND SPARE PARTS

TECHNICAL SUPPORT

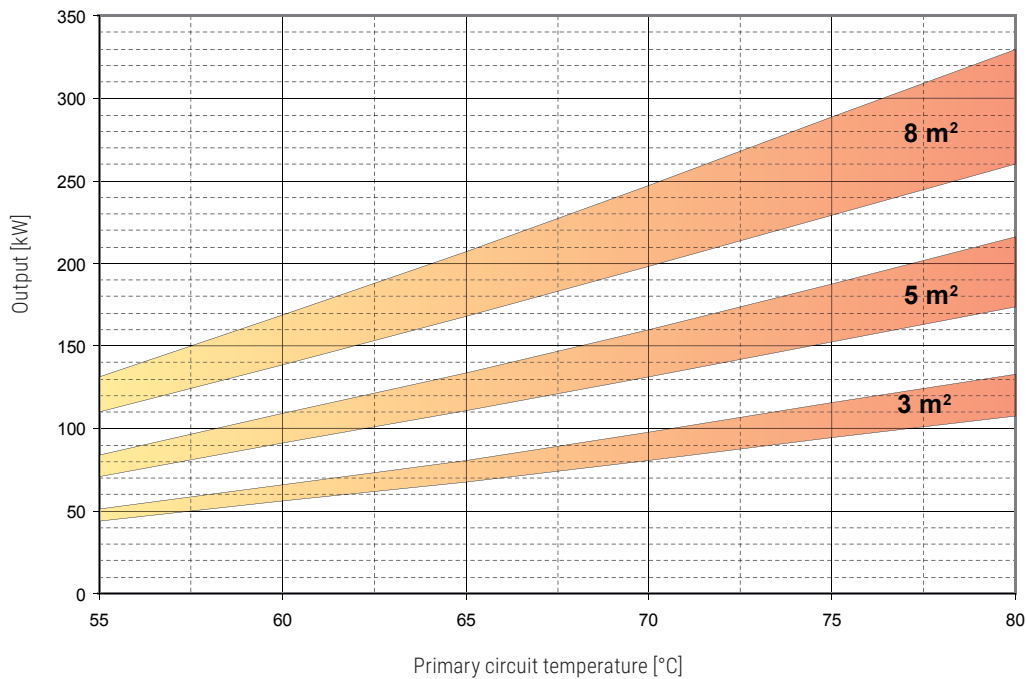
HEAT EXCHANGER OUTPUT CHARTS

HEAT EXCHANGER OUTPUT REFERRED TO TEMPERATURE AND FLOW RATE OF PRIMARY CIRCUIT AND WITH SECONDARY AT 10/45°C AT MAXIMUM WITHDRAWAL OF PRODUCIBLE DHW (UPPER LIMIT OF THE CURVES REFERRED TO MAXIMUM PRIMARY FLOW RATE IN THE HEAT EXCHANGER, WHILE THE LOWER LIMIT IN THE CURVE REFERS TO THE MINIMUM PRIMARY FLOW RATE).



EXTRA CALORIFIERS RANGE

Extractable heat exchanger surface	4 m ²		6 m ²		10 m ²	
	MAX	MIN	MAX	MIN	MAX	MIN
Flow rate [m ³ /h]	20	10	20	10	20	10

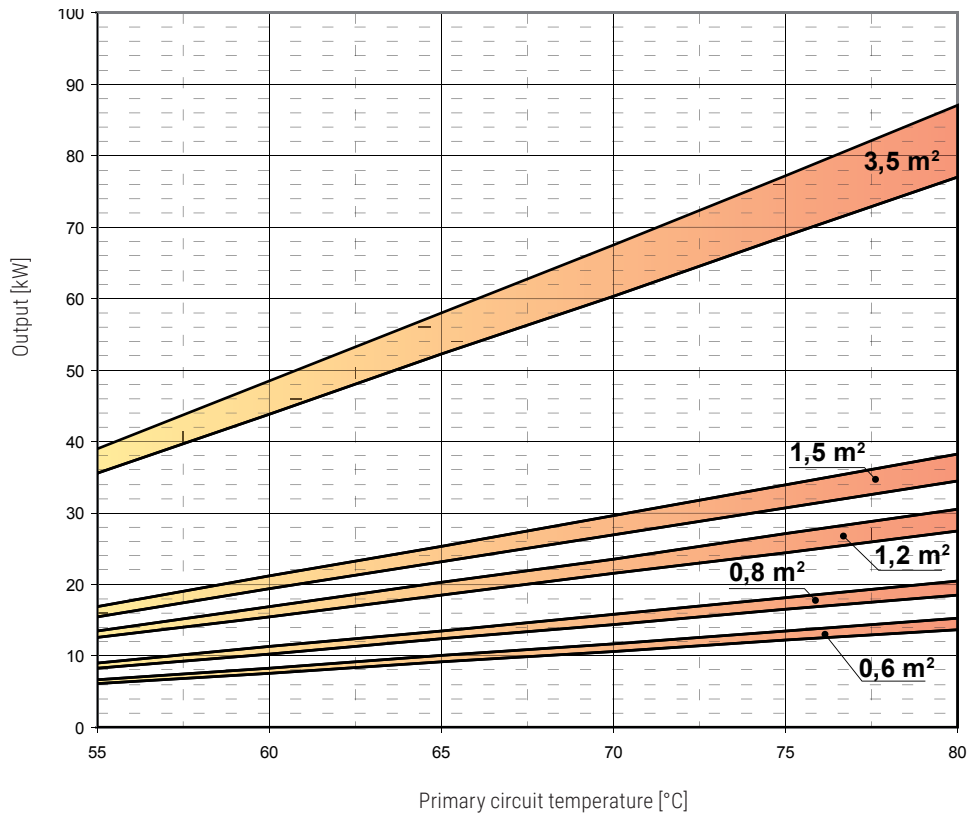


EXTRA CALORIFIERS RANGE

Extractable heat exchanger surface	3 m ²		5 m ²		8 m ²	
	MAX	MIN	MAX	MIN	MAX	MIN
Flow rate [m ³ /h]	15	7,5	20	10	20	10

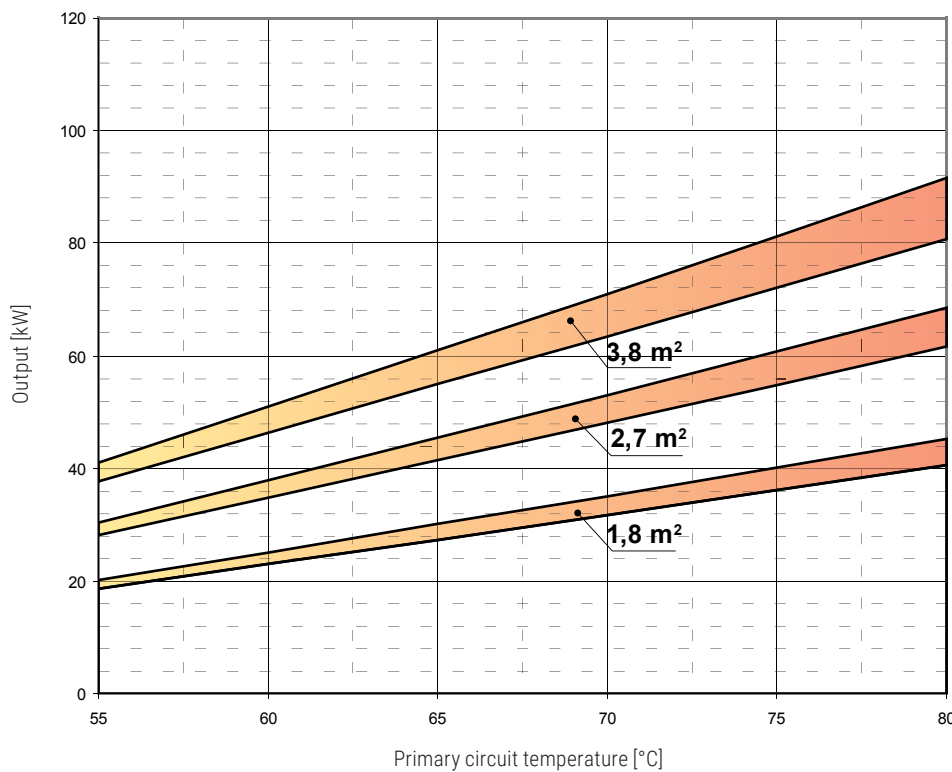
HEAT EXCHANGER OUTPUT CHARTS

HEAT EXCHANGER OUTPUT REFERRED TO TEMPERATURE AND FLOW RATE OF PRIMARY CIRCUIT AND WITH SECONDARY AT 10/45°C AT MAXIMUM WITHDRAWAL OF PRODUCIBLE DHW (UPPER LIMIT OF THE CURVES REFERRED TO MAXIMUM PRIMARY FLOW RATE IN THE HEAT EXCHANGER, WHILE THE LOWER LIMIT IN THE CURVE REFERS TO THE MINIMUM PRIMARY FLOW RATE).



BOLLY® 1 ST

Fixed heat exchanger surface	0,6 m ²		0,8 m ²		1,2 m ²		15 m ²		3,5 m ²	
	MAX	MIN	MAX	MIN	MAX	MIN	MAX	MIN	MAX	MIN
Flow rate [m ³ /h]	2	1	2,5	1,25	3	1,5	3,5	1,75	6	3

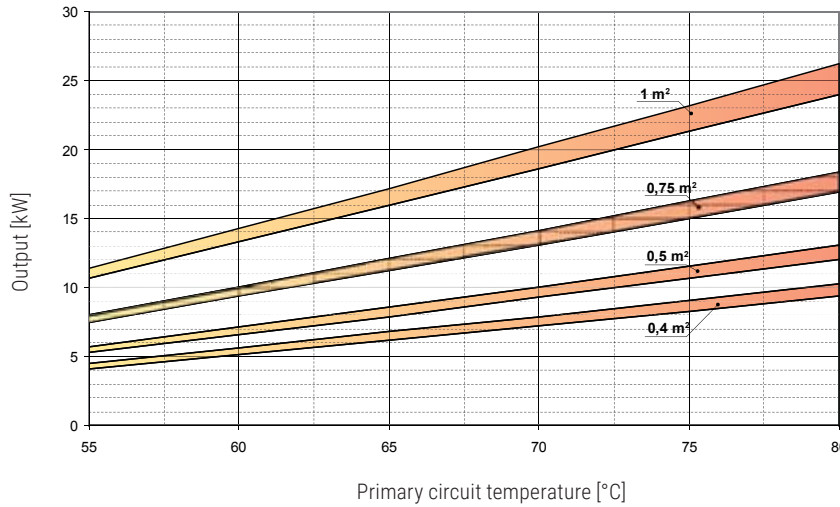


BOLLY® 1 ST

Fixed heat exchanger surface	1,8 m ²		2,7 m ²		3,7 m ²	
	MAX	MIN	MAX	MIN	MAX	MIN
Flow rate [m ³ /h]	3,50	1,75	6	3	6	3

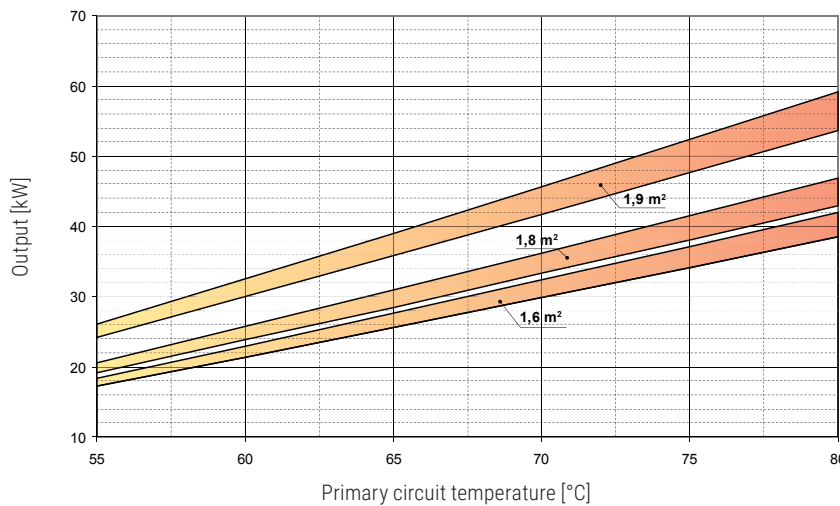
HEAT EXCHANGER OUTPUT CHARTS

HEAT EXCHANGER OUTPUT REFERRED TO TEMPERATURE AND FLOW RATE OF PRIMARY CIRCUIT AND WITH SECONDARY AT 10/45°C AT MAXIMUM WITHDRAWAL OF PRODUCIBLE DHW (UPPER LIMIT OF THE CURVES REFERRED TO MAXIMUM PRIMARY FLOW RATE IN THE HEAT EXCHANGER, WHILE THE LOWER LIMIT IN THE CURVE REFERS TO THE MINIMUM PRIMARY FLOW RATE)



BOLLY® 2 ST

Fixed heat exchanger surface	0,4 m ²		0,5 m ²		0,75 m ²		1 m ²	
	MAX	MIN	MAX	MIN	MAX	MIN	MAX	MIN
Primary flow rate [m ³ /h]	2	1	2,5	1,25	3	1,5	3,5	1,75

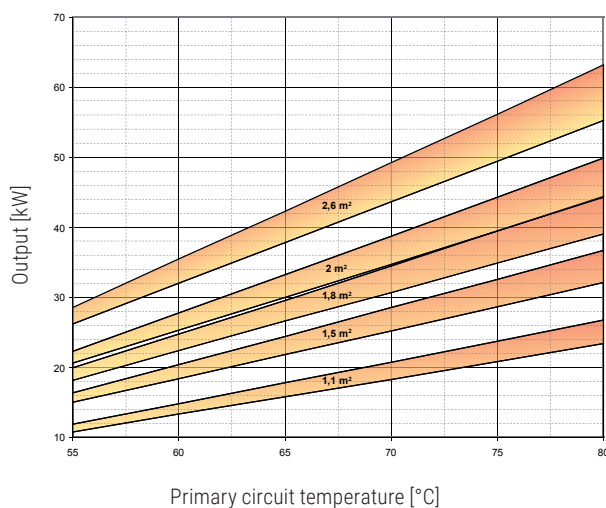


BOLLY® 2 ST

Fixed heat exchanger surface	1,6 m ²		1,8 m ²		1,9 m ²	
	MAX	MIN	MAX	MIN	MAX	MIN
Primary flow rate [m ³ /h]	6	3	6	3	6	3

LOWER HEAT EXCHANGER TECHNICAL DATA - SEE BOLLY® 1 ST

HEAT EXCHANGER OUTPUT REFERRED TO TEMPERATURE AND FLOW RATE OF PRIMARY CIRCUIT AND WITH SECONDARY AT 10/45°C AT MAXIMUM WITHDRAWAL OF PRODUCIBLE DHW (UPPER LIMIT OF THE CURVES REFERRED TO MAXIMUM PRIMARY FLOW RATE IN THE HEAT EXCHANGER, WHILE THE LOWER LIMIT IN THE CURVE REFERS TO THE MINIMUM PRIMARY FLOW RATE)

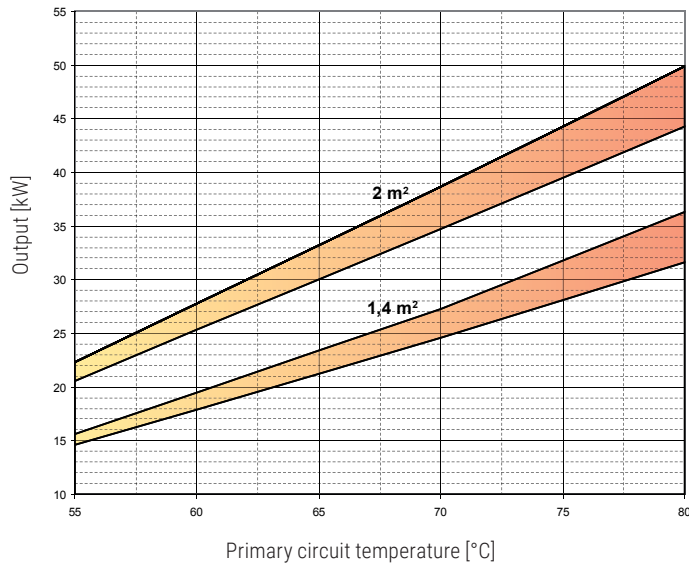


BOLLY® 1 AP

Fixed heat exchanger surface	1,1 m ²		1,5 m ²		1,8 m ²		2 m ²		2,6 m ²	
	MAX	MIN	MAX	MIN	MAX	MIN	MAX	MIN	MAX	MIN
Primary flow rate [m ³ /h]	2	1	2,5	1,25	3	1,5	3,5	1,75	3,5	1,75

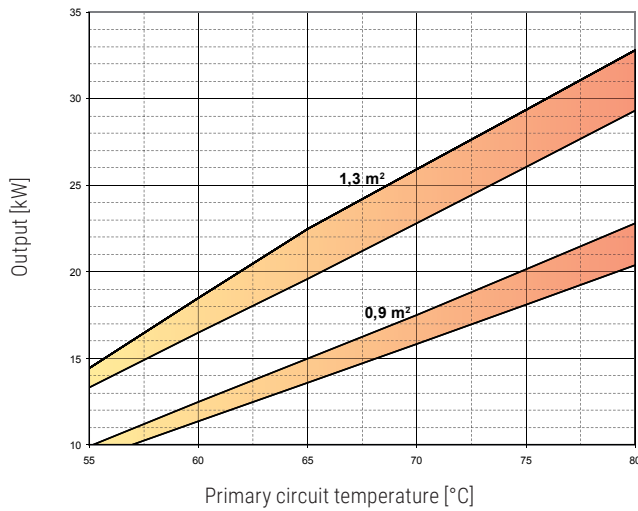
HEAT EXCHANGER OUTPUT CHARTS

HEAT EXCHANGER OUTPUT REFERRED TO TEMPERATURE AND FLOW RATE OF PRIMARY CIRCUIT AND WITH SECONDARY AT 10/45°C AT MAXIMUM WITHDRAWAL OF PRODUCIBLE DHW (UPPER LIMIT OF THE CURVES REFERRED TO MAXIMUM PRIMARY FLOW RATE IN THE HEAT EXCHANGER, WHILE THE LOWER LIMIT IN THE CURVE REFERS TO THE MINIMUM PRIMARY FLOW RATE)



BOLLY® 2 AP

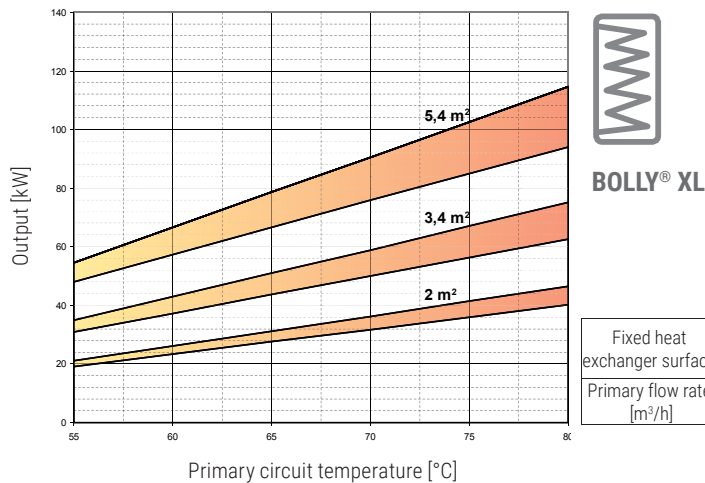
Fixed heat exchanger surface	1,4 m ²		2 m ²	
	MAX	MIN	MAX	MIN
Primary flow rate [m ³ /h]	3	1,5	3,5	1,75



BOLLY® 2 AP

Fixed heat exchanger surface	0,9 m ²		1,3 m ²	
	MAX	MIN	MAX	MIN
Primary flow rate [m ³ /h]	3	1,5	3,5	1,75

HEAT EXCHANGER OUTPUT REFERRED TO TEMPERATURE AND FLOW RATE OF PRIMARY CIRCUIT AND WITH SECONDARY AT 10/45°C AT MAXIMUM WITHDRAWAL OF PRODUCIBLE DHW (UPPER LIMIT OF THE CURVES REFERRED TO MAXIMUM PRIMARY FLOW RATE IN THE HEAT EXCHANGER, WHILE THE LOWER LIMIT IN THE CURVE REFERS TO THE MINIMUM PRIMARY FLOW RATE)



BOLLY® XL

Fixed heat exchanger surface	2 m ²		3,4 m ²		5,4 m ²	
	MAX	MIN	MAX	MIN	MAX	MIN
Primary flow rate [m ³ /h]	2,5	1,25	3	1,5	3,5	1,75

COMPANY CERTIFICATES



Quality Certificate UNI EN ISO 9001



Environmental managing System Certificate UNI EN ISO 14001:2004

Cordivari has always placed among its main goals:

- The continuous improvement of the products manufactured;
- The commitment to use low environmental impact materials that can be almost 100% recycled;
- The achievement of the total quality

According to that, Cordivari has worked to obtain the most significant certifications that attest the commitment of the Company on the inside and outwards.

ITALIANS AND EUROPEAN LAWS AND REGULATIONS

Main laws and regulations concerning production and installation of pressurised tanks:

ErP Energy Related Products – Ecodesign Directive 2009/125/CE

UNI EN 12897:2016 - technical details for storage of sanitary hot water and indirect heating systems.

Disposals 2014/68/UE for pressurized equipment

DGLS 15 february 2016, n. 26 - Application of Directive 2014/68/UE Pressure Equipment.

Decrete 1/12/2004 n. 329 - Installation of equipment and pressurized ensemble.

Law January 9th 1991, n. 10 – National energy plan, for energy saving and energy development for renewable energy source

D.P.R. 26-8-1993 n. 412 – applying regulation law 10/91

D.L. 25/01/1992, n.108 – application of disposal n. 89/109/CEE concerning material and object destined to get in touch with food products.

DPR 777 del 23/08/1982 - application of European Directive 76/893

D.M. del 21/03/1973 – Decrete Law concening water for human consumption

D.M. 174 del 06/04/2004 Decrete Law concening water for human consumption

Disposals 2014/29/CE – air compressor tanks planning and production.

UNI CTI 8065 - Water Treatment

“Raccolta R ed. 2009 cap. R.1.A.” - Expansion System



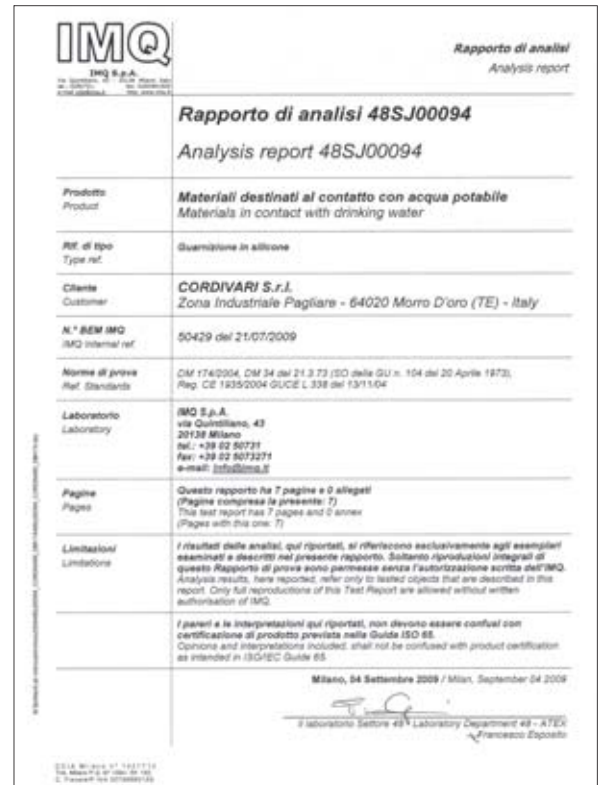
CE certification in accordance with 2014/68/UE Pressure Equipment regulations relevant to pressure vessels



CE certification in accordance with requirements of 2014/68/UE Pressure Equipment regulations for pressurized tanks (equipped pressure vessel)



CE certification in accordance with requirements of 2014/68/UE Pressure Equipment regulations for pressurized tanks (exchanging diaphragm pressure vessels).



Test certification of the silicone gaskets suitable for alimentary use according to the D.M. n.174 del 2004.

CERTIFICATES

SSICA STAZIONE SPERIMENTALE PER L'INDUSTRIA DELLE CONSERVE ALIMENTARI IN PARMA
41012 Parma - Via F. Testi 2/3A - Tel. 0521 7801 - Fax 0521 77300 - info@ssica.it - www.ssica.it
REA 277860 - Cof.Pa. n° F 1/3A - 1/10/8843344

Parma, 03/11/2007
Rapporto di Prova N. 2734
Fig. 1 di 1 - JPF

Al: c.a. Dr. Fabrizio Marri
Squadre
CORDIVARI S.r.l.
Zona Industriale Pagliare
64020 MORRO D'ORO (TE)

Data ricevimento: 28/10/07
Completato: Provi di metallo
Rif.: Lettera senza data
Campione prelevato dal cliente e pervenuto a mezzo corriere

Descrizione Campione: provini di metallo trattati con "Involucimento Polywarm-eva grigi" destinato ad essere utilizzato negli impianti fissi di captazione, trattamento, adduzione e distribuzione delle acque destinate al consumo umano.

Data inizio prova: 03/11/07 Data termine prova: 08/11/07

Prova svolta	Metodo	Unità di misura	Valore	Limite di legge
Meq. totale (mg/kg) in acqua distillata a 60°C/30'	2/31.5/04/04/1/27	mg/kg	1,2	Max 50
Fluorazione solubile in g/litro	2/31.2/3/07/04/04/1/27	%	4,00	Max 10/100 e 20

N.B. rapporto superficie esposta (m²) e volume del simulante (ml) = 1.
Valore limite previsto dal Decreto Ministeriale del 6 aprile 2004, n. 174.

Il Responsabile del Laboratorio
F. Turcato

LA DIREZIONE
Dott. ssa Loretta Ricciardi
L. Ricciardi

Il risultato espresso nel rapporto di prova è riferito esclusivamente al campione esaminato.
Il presente rapporto di prova non può essere riprodotto parzialmente senza approvazione della SSICA.

Test report of internal treatment for food use Polywarm® in accordance with D.M. nr. 174 del 06/04/2004 granted by SSICA Laboratory of Parma - Italy.

Our Ref: HLM/30306
Test Report: M205452

27th June 2013

Cordivari Srl
Zi Pagliare - 64020 Morro D'oro (Teramo), Italy

WRAS
Water Regulations Advisory Scheme

**WATER REGULATIONS ADVISORY SCHEME (WRAS)
MATERIAL APPROVAL**

The material referred to in this letter is suitable for contact with wholesome water for domestic purposes having met the requirements of BS 6900-1:2000 "suitability of non-metallic products for use in contact with water intended for human consumption with regard to their effect on the quality of the water".

The reference relates solely to its effect on the quality of the water with which it may come into contact and does not signify the approval of its mechanical or physical properties for any use.

FACTORY APPLIED PIPE & FITTING COATINGS **3030**

Polywarm. Factory applied, brown coloured enamel coating. Apply as per manufacturer's instructions. Cure for 30 minutes at 240°C. For use with water up to 85°C.

This material is only approved for the curing conditions that appear on the approval. If the cure conditions are varied from those specified on the approval then the material is not covered by the scope of the approval.

APPROVAL NUMBER: 130557
APPROVAL HOLDER: CORDIVARI SRL

The Scheme reserves the right to review approval. This approval is valid between February 2013 and February 2018.

An entry, as above, will accordingly be included in the Water Fittings Directory on-line under the section headed, "Materials which have passed full tests of effect on water quality".

The Directory may be found at: www.wrass.co.uk/Directory

Yours faithfully
Jason Farnell
Jason Farnell
Approval & Enquiries Manager
Water Regulations Advisory Scheme

Water Regulations Advisory Scheme Ltd
25, Broad Street, Bristol, Avon, BS1 2JQ, England
Tel: +44 (0)117 924 4444
www.wrass.co.uk

WRAS -Water Regulation Advisory Scheme certificate for Polywarm® coating

off Technologie & Innovation GmbH
A-1150 Wien
Bismarckstraße 10a
T +43 1 788 40 01 0
F +43 1 788 40 01 4
E office@off.at
www.off.at

CORDIVARI s.r.l.
Zona Industriale Pagliare
64020 MORRO D'ORO (TE)
Italia

PRÜFZEUGNIS
Prüfung gemäß des DVGW Arbeitsblattes W 270 (Ausgabe 11/2007)

Prüfinstitut: off Technologie & Innovation GmbH
Bismarckstraße 14 A
1150 Wien

Prüfdatum: 06/2012 bis 09/2012
Prüfnummer: 407.873/2

Firma/Markenname: CORDIVARI s.r.l.

Werkstoff/Produkt: Beschichtung „POLYWARM“

Einsatzbereich: Beschichtung von Produkten im Trinkwasseranlass

Beurteilung:
Die Beschichtung mit der Bezeichnung „POLYWARM“ ist aufgrund der Ergebnisse der vorgenannten Prüfung (off Prüfbericht Nr. 407.873/2 vom 2012-06-14) unter der Voraussetzung einer den Vorgaben des Herstellers entsprechenden Verarbeitung in mikrobiologischer Hinsicht uneingeschränkt für den Einsatz im Trinkwasseranlass geeignet.
Die Gültigkeit des Prüfzeugnisses beginnt mit dem Ausstellungsdatum und endet am 2017-09-14. Es kann bei unveränderten Voraussetzungen um 5 Jahre verlängert werden.

Wien, 2012-09-14
Mag. Elisabeth Novak

Das Prüfzeugnis ist nur solange gültig, wie keine Veränderungen in der Zusammensetzung der Beschichtung erfolgen

Das Prüfzeugnis darf ohne schriftliche Zustimmung der off Technologie & Innovation GmbH nur ungetriggert ohne Zusatz veröffentlicht werden.

Certificate of Conformity for Polywarm® according to DVGW W270.

off Technologie & Innovation GmbH
A-1150 Wien
Bismarckstraße 10a
T +43 1 788 40 01 0
F +43 1 788 40 01 4
E office@off.at
www.off.at

CORDIVARI s.r.l.
Zona Industriale Pagliare
64020 MORRO D'ORO (TE)
Italia

PRÜFZEUGNIS
gemäß „Leitlinie zur hygienischen Beurteilung von organischen Beschichtungen in Kontakt mit Trinkwasser“ des Umweltbundesamtes (Stand 2008)

Hersteller: CORDIVARI s.r.l.

Prüfen: Beschichtung mit der Bezeichnung „POLYWARM“

Prüfung: Produktprüfung (beschichtete Metalplatten)

Die geprüfte Beschichtung erfüllt gemäß off Prüfbericht 407.873/1 vom 2012-12-12 die Anforderungen der Beschichtungsleitlinie für folgende Einsatz- und Temperaturbereiche:

Einsatzbereiche - Kategorien	Kaltwasser (5°C)	Warmwasser (60°C)	Heißwasser (85°C)
Röhre = DN 80 (Hausinstallation)	—	—	—
Röhre = DN 80 = DN 300 (Verleitung)	—	—	—
Röhre = DN 300 (Hausleitung)	—	—	—
Behälter (Hausinstallation)	erfüllt	—	—
Behälter (außerhalb Hausinstallation)	erfüllt	—	—
Ausrüstungsgegenstände (Hausinstallation)	erfüllt	—	—
Ausrüstungsgegenstände (Verleitung)	erfüllt	—	—
Ausrüstungsgegenstände (Hausleitung)	erfüllt	—	—

Die Gültigkeit des Prüfzeugnisses richtet sich nach anderemorts festgelegten Regeln, sie beginnt mit dem Ausstellungsdatum und endet bei unveränderten Voraussetzungen spätestens am 2017-12-18.

Wien, 2012-12-18
Mag. Elisabeth Novak

Das Prüfzeugnis ist nur solange gültig, als keine Veränderung in der Zusammensetzung des Materials sowie der Verarbeitungstechnik erfolgen

Das Prüfzeugnis darf ohne schriftliche Zustimmung der off Technologie & Innovation GmbH nur ungetriggert ohne Zusatz veröffentlicht werden.

Certificate of Conformity Polywarm according to UBA KTW.

POLITECNICO DI MILANO
 Dipartimento di Energia
 RELAB - Renewable Heating and Cooling LAB

5. **RISULTATI DELLE PROVE ED EVENTUALI OSSERVAZIONI SUL FUNZIONAMENTO DELLE UNITA' SOTTOPOSTE A PROVA**

RISULTATI TEST EN 16147: 2011			
Data test		15/07/2015	
Quantità misurata		Valore	Unità di misura
Tempo di riscaldamento	t _h	04:52:57	hh:mm:ss
Energia di riscaldamento assorbita	W _{th}	2,48	kWh
Durata di un ciclo di attivazione-disattivazione	t _{ca}	19:14:48	hh:mm:ss
Energia assorbita durante l'ultimo ciclo di attivazione-disattivazione	W _{ca}	0,49	kWh
Potenza assorbita in standby	P _{ca}	25,69	W
Prestazioni			
Classe del ciclo di spillamento		L	
Energia termica utile PdC	Q _{TC}	11,67	kWh
Periodo di tempo ciclo di prova	t _{TC}	35:55:49	hh:mm:ss
Consumo energia elettrica per l'intero ciclo di prelievo	W _{EL,TC}	4,05	kWh
En. termica calcolata prodotta tramite elettricità	Q _{EL,TC}	0,18	kWh
Consumo totale energia elettrica per un ciclo di prelievo	W _{EL,TC}	3,92	kWh
Coefficiente di prestazione	COP _{DWH}	2,98	-
Temperatura di riferimento dell'acqua calda	θ _{WH}	47,48	°C
Volume max acqua calda utilizzabile	V _{max}	208,15	l
Campo di esercizio			
Temp. minima fonte di calore		-	°C
Temp. minima acqua calda sanitaria		-	°C
Temp. massima fonte di calore		-	°C
Temp. massima acqua calda sanitaria		-	°C

Rapporto di Prova: ENE-RE-C1015-RP-01
 Laboratorio RELAB - Politecnico di Milano - Dipartimento di Energia
 Via R. Lambruschini 4 - 20156 - Milano - tel. 02 2399 3835 - fax 02 2399 3868

Pagina 9 di 10

BOLLYTHERM® HP calorifier with heat pump performance test granted by RELAB Energy Department (Politecnico of Milan) according to EN-16147 related to Ecodesign ErP Directive 2009/125/CE – EU Regulation 812/2013-814/2013.

Report no. 15057MAL-07CM272
 The test certificate is on the next subsequent page 1 and 2.

IMQ CLIMA
 Centro di Innovazione Tecnologica Agemont S.p.A.

Anno: 27/08/2015

Test report n° 15057MAL-07CM272
MULTIFUNCTION ROOM
 Performance test

Date of reception of the unit: 02/07/2015
 Date of test: from 07/08/2015 to 11/08/2015

DATA OF THE TESTED UNIT

> Customer: CORDIVARI S.r.l.
 Zona Industriale Pagliare
 64020 Morro d'Oro (TE)

> Test unit/model: Bollytherm HP VT V14
 BTHP 1063

> Serial number: 230 [V7]

> Frequency: 50 [Hz]

> Power Source: Single-Phase

> Refrigerant type: R134A

> Mass of refrigerant: 0,80 kg

> Required Tapping cycle: I.

The tests are performed in accordance with the requirements of EN 16147: 2011 – Heat pumps with electrically driven compressors: Testing and requirements for marking of domestic hot water units, Commission Delegated Regulation (EU) No. 812/2013 and of Commission Regulation (EU) No. 814/2013.

The results presented in this report are valid only for the tested unit.

Executed by: Lab Technician
 Ing. Nicola Di Maria

Approved by: Technical Manager
 Ing. Andrea Mazzolini

This report consists of 11 pages.
 The tested unit has been chosen by the customer/manufacturer.
 Any reproduction of this report must contain all pages. The reproduction of this report must be authorized by IMQ CLIMA Centro di Innovazione Tecnologica Agemont S.p.A.
 Company manager and authorized by IMQ S.p.A.
 Via J. Lismanio 1
 37020, Arco (TN) - Italy
 Tel. +39 0432 499007
 Fax +39 0432 499002

page 1 of 11

BOLLYTHERM® HP calorifier with heat pump performance test granted by IMQ CLIMA (Centro di Innovazione Tecnologica Agemont) according to EN-16147 related to Ecodesign ErP Directive 2009/125/CE – EU Regulation 812/2013-814/2013.

TÜV Rheinland Energie und Umwelt GmbH
 Test Centre for Energy Appliances

TÜV Rheinland
 Precisely Right.

Valutazione di un dispositivo di controllo di prova per il collaudo di bollitori acqua calda in conformità alla EN 15332: 2007

Produttore / Appaltatore: Cordivari S.r.l.
 Zona Industriale Pagliare
 I-64020 Morro D'Oro

Prodotto: Dispositivo di prova per la determinazione delle caratteristiche tecniche di bollitori acqua calda presso la sede di Morro D'Oro

Motivo della prova: Convalida del dispositivo costruito conformemente a:
 EN 15332: 2007, Valutazione energetica di bollitori acqua calda relativamente agli articoli:
 5.1 Collegamento del serbatoio di accumulo
 5.4 Misurazione della dispersione in stand-by

Risultato della prova: Il risultato della presente prova si basa sull'Audit del 20 agosto 2015. Il Dispositivo di prova presentato risponde ai requisiti degli articoli 5.1 e 5.4 dello standard di collaudo di cui sopra.

Nota: La validità della relazione di collaudo è di 2 anni. La capacità di misurazione deve essere approvata ogni due anni presso Cordivari S.r.l. nella sede di Morro D'Oro da parte di TÜV Rheinland.

Colonia, 10.08.2015
 432/mc

Inspector: Deputy Head of Test Centre
 Dipl.-Ing. R. Crocetti
 Dipl.-Ing. R. Verbert

Test Centre for Energy Appliances
 DIN- und DVGW-Laboratory

Auftrag Nr. 2128832 Seite 2/3 Rapport Nr. 8478 2015 33

TÜV Rheinland test report about the quality of tests performed in "CORDIVARI LAB.

CORDIVARI Lab

Zona Industriale Pagliare - 64020 MORRO D'ORO (TE) Italia
 Tel. +39 085 80.40.3 f.a.s. - Fax UFF. COMM. +39 085 80.41.418 - Fax CENTR. +39 085 8041280
 C.F. - P. IVA - REG. IMPRESE TE N. IT 00735570673 - R.E.A. TE N. 92310 - CAP. SOC. € 4.000.000,00 i.v.
 www.cordivari.it - info@cordivari.it

RAPPORTO DI PROVA

VERIFICA DISPERSIONE TERMICA AI FINI DELL'ETICHETTATURA ENERGETICA PREVISTA DAL REGOLAMENTO (UE) N. 814/2013 DELLA COMMISSIONE DEL 2 AGOSTO 2013 RECANTE MODALITÀ DI APPLICAZIONE DELLA DIRETTIVA 2009/125/CE DEL PARLAMENTO EUROPEO E DEL CONSIGLIO IN MERITO ALLE SPECIFICHE PER LA PROGETTAZIONE ECOCOMPATIBILE DEGLI SCALDACQUA E DEI SERBATOI PER L'ACQUA CALDA.

Rapporto di prova n°	BO-CLEN 02.15
Data di emissione	21/08/2015
N° di pagine totale	7
Laboratorio di prova	Cordivari LAB
Nome del richiedente	Cordivari srl
Specifiche di prova	EN15332:2007/ 5.4
Scopo della prova	Determinare la dispersione termica nelle condizioni previste dalla norma al fine di caratterizzare il prodotto oggetto della prova nell'ambito delle classi energetiche previste dal Regolamento UE 814/2013
Descrizione dell'oggetto in prova	Bollitore (preparatore di acqua calda ad uso igienico sanitario) ad accumulo con scambiatore di calore interno fisso. Materiale del corpo e dello scambiatore: acciaio al carbonio. Esecuzione cilindrico verticale, trattamento anticorrosivo delle membrature a contatto con l'acqua sanitaria e coibentazione in schiuma di poliuretano espanso realizzata "di corpo" sul bollitore.
Marchio	CORDIVARI
Costruttore	Cordivari SRL
Indirizzo costruttore	Zona Industriale Pagliare 64020 Morro D'Oro (TE) Italia
Modello	BOLLY 1 ST 200
Data del ricevimento oggetto in prova	06/08/2015
Periodo di prova	Dal 19 al 21 AGOSTO 2015

Questo rapporto non può essere riprodotto, se non integralmente, senza l'autorizzazione del laboratorio di prova che lo rilascia. I risultati esposti in questo rapporto di prova si riferiscono esclusivamente all'oggetto testato. Cordivari LAB non assume nessuna responsabilità per danni derivanti dall'interpretazione dei dati del presente documento riprodotto al di fuori del suo contesto.

0 Revisione
 P.I. Giovanni D'Egidio
 EsecuzioneTest

Ing. Ivan Bellini
 Direzione Tecnica

BOLLY test report granted by "CORDIVARI LAB" according to EN-15332 related to Ecodesign ErP Directive 2009/125/CE.

EXTRA-BOLLY® CALORIFIERS
 BOLLYTHERM® CALORIFIERS
 STAINLESS STEEL CALORIFIERS
 CALORIFIERS FOR HEAT PUMP
 MULTIFUEL ENERGY CYLINDERS - PUFFER
 HYDRONIC
 INERTIAL TANKS
 WATER PRESSURE TANKS
 COMPRESSED AIR RECEIVERS
 ACCESSORIES AND SPARE PARTS
 TECHNICAL SUPPORT

REGULATIONS FOR A CORRECT INSTALLATIONS OF PRESSURE TANKS

OVERPRESSURE PROTECTION:

If the sanitary water installation exceeds the admissible values of pressure of the calorifier, a pressure regulator as far away as possible from the calorifier has to be installed.

- Calorifier with primary circuits fluid with temperature below 110°C

To avoid damages on products due to sudden changes of pressure, it is always necessary to provide an expansion system, according to "Raccolta R ed. 2009 chapt. (R-1a)". For Water Heater with primary circuit temperature above to boiling secondary fluid at 0.5 bar pressure must have safety devices (termostat, pressurestat, level/min. pressure protection). This expansion system can simply consist in a safety valve, counterweight, or spring-loaded, which port has to be a diameter in millimetres not lower than:

$$D \text{ min} = \sqrt{(V/5)}$$

where V is Volume of Calorifier in liters, minimum diameter 15mm. The valve must be calibrated at a pressure not exceeding the maximum working pressure of the calorifier and connected without any shut off device.

Besides the safety valve is however recommended to install a closed expansion vessel with atoxic membrane, in order to avoid a continuous opening of valve. Cordivari Heat exchangers are manufactured in accordance with 97/23 CE directive and in reference to art. n. 3.3 of this directive they do not have to be marked CE

- Calorifiers with primary circuit supplied by fluid with temperature exceeding 110°C (steam or hot water)

For Water Heater with primary circuit temperature above to boiling secondary fluid at 0.5 bar pressure must have safety devices (termostat, pressurestat, level/min. pressure protection).

Referring to primary circuit on Heat exchangers the provision on pressure working equipment shall be applied.

For provisions on systems with heat exchangers supplied by fluid with temperature exceeding 110°C with open and closed expansion vessel (such as control and safety device) Please refer to chapt. "R.3.D. Racc. R ed. 2009".

- Calorifiers for solar thermal systems

Please refer to chapt. "R.3.D. Racc. R ed. 2009 and for calorifiers that not have to be marked CE:

- Primary Circuit Temperature never exceeds 140°C (that can be reached only for limited periods of time).

- Maximum working pressure meets following restrictions: the result Pressure x Volume of exchanger must not exceed 50bar/litre:

$$P \times V \leq 50 \text{ [bar} \times \text{liter]}$$

given the volume of fluid in the heat exchanger, is then possible to calculate with the above formula, the maximum permissible operating pressure for each heat exchanger - surface of collectors does not exceed 50m² and the potentiality is lower than the total usable at 35Kw

Above these limits, the exchanger (as well as the installation) is subject to requirements so as stated in provisions for in pressure working equipments (design, and plant testing also when in operation, periodic restructuring) it is therefore necessary to use designed and tested exchangers according to 2014/68/UE Pressure Equipment.

CORROSION PROTECTION

To avoid electro-chemical corrosion - and in order to comply with the warranty's conditions too - the cylinder has to be installed always with its cathode protection. Cordivari Srl gives according to the tank version:

- Anoden-tester magnesium bar, which allows to check the real consumption of the magnesium bar just pushing on the "tester button".
- Simpletest Anode (easy checking acting on the relative valve - any water outlet indicates the immediate substitution of the anode)
- Standard anode, where it is necessary the visual checking of the magnesium bar.

As accessory (only for Polywarm® version) also available the electronic anode which do not need to be replaced and need only an uninterrupted electricity. It is also necessary, for warranty purposes too, that the water never exceeds the values indicated on DPR 236/88. To avoid any galvanic currents tank grounding have to be done.

LEGIONELLOSIS PROTECTION

Legionellosis can widespread with temperatures between 30°C and 45°C. To avoid any risk water tank has to be accumulated at 60°C and never reach temperature lower than 50°C.

CALORIFIERS & BUFFERTANKS

Must always installed to protect from atmospheric agents on a base of proper solidity, checking before you make the connections that there is sufficient space for extracting the heat exchanger, magnesium anode, eventual resistance and other technical components specific to the various products and for an easy opening of any inspection flange.

Make sure that the premises, or technical rooms intended to contain the tanks are provided with sufficient openings to facilitate the passage of the tanks by considering overall dimensions and avoiding therefore any necessity for demolitions both when installing and removing the tanks

For all cylinders with plate heat exchangers the hardness of the sanitary water inlet must be less than 30 ° f (French degrees).

It is necessary to install the storage tank / buffer tank providing appropriate and adequate drainage for any water leaks.

CHILLED WATER AND INERTIAL TANKS

Make sure that the premises, or technical rooms intended to contain the tanks are provided with sufficient openings to facilitate the passage of the tanks by considering overall dimensions and avoiding therefore any necessity for demolitions both when installing and removing the tanks

GENERAL SALES CONDITIONS AND WARRANTY

Sales of Cordivari's products are made according to the conditions listed below. Exception should be agreed in written with Cordivari Srl.

1. Shipment

Goods are shipped at buyer's (purchaser) risk and peril, even if transport is organized by Cordivari. Goods have to be checked at the delivery about unaltered packaging, missing or confused items in the presence of the forwarder. Any claim has to be immediately communicated to the forwarder by appointing the shipment's document and by registered mail within 8 days (otherwise the forwarder is cleared of his responsibilities).

2. Delivery terms

Delivery terms are indicative. Failure to comply with the agreed delivery terms for any reasons will not entitle the buyer (purchaser) to any compensation, cancellation or modification of the order without our prior consent. In case of exceptional events like weather disaster, strikes or market shortage of raw materials not predictable, Cordivari will decide the best decision to take. If the ordered goods will not be collected in the time agreed, this material will be invoiced and stored at buyer's costs and risks.

3. Weight, measures, surfaces

Weights, measures, surfaces, shapes, sizes and other figures related to the products are merely indicative and Cordivari Srl may at any time modify them without any notice.

4. Order cancellation or modification

No orders shall be cancelled or modified even partially without the consent of Cordivari Srl. It will not be possible to modify the order when the production has already started. Potential costs due to the modifications or cancellation will be charged to the buyer (purchaser).

5. Warranty

On all Stainless Steel 316L cylinders the warranty granted by Cordivari Srl is 5 years

On all Polywarm® coating cylinders the warranty granted by Cordivari Srl is 5 years

On all galvanized cylinders the warranty granted by Cordivari Srl is 2 years

For all extractable and plate heat exchanger (plate-to-plate and brazed) either mounted on calorifiers or separately sold, Cordivari grants 2 years warranty.

For all Buffertanks Cordivari grants 2 years warranty

For buffertanks COMBI and ECO-COMBI, Cordivari grants 2 years warranty on heating water storage tanks and 5 years on Domestic Hot Water Parts.

Accessories and other items within the catalogue and not listed in currents Sales and Warranty Conditions (like the heat pump), warranty granted by Cordivari Srl is 2 years with the exclusion of technical, electrical, electronic components for which the granted warranty is 12 months.

For special customized or other products for special projects the granted warranty by Cordivari srl is 2 years.

The warranty is valid for product defects, if all points of current article 5 are respected, and valid only if the products is set with the cathode protection in an efficient and permanent way. This last one has to be frequently checked. The installation should respect the parameters in force about overpressure, corrosion, legionellosis according to the prescriptions previously listed in this catalogue (See "Regulation for a correct installation of pressure tanks" section of current Catalogue). Basically the sanitary water productions units have to comply with the national directive about water treatment.

The warranty is no more valid in case of non observance of local regulations.

Warranty will be applicable at the following conditions:

- Products must have been stored in good conditions and protected for the inclemency of the weather before installation
- Products did not have damages during transport, handling or installation.
- No alterations or reparations must be done without the prior consent of the seller
- The installation must have been done by authorized professionals and in conformity with all instructions and standards written on the technical data sheets provided by Cordivari Srl, and according to eventual specific technical rules and general disposition
- Accessories used must be original provided Cordivari materials
- The buyer must have paid all the bills within the pre-established deadlines
- No aggressive chemical substances must have been added to the water.
- Working pressure and temperature shown in the catalogue must correspond to the current usage pressure and temperature.

Those parts subject to natural consumption (as magnesium anode, gaskets, bolts) are always excluded for any warranty.

Warranty starts from Cordivari's commercial invoice date and will be not renewed in case of product replacement

The warranty doesn't cover construction or dismantling cost to move the product from/to the installation place.

Cordivari srl is committed during the warranty period to refund the returned product if confirmed as to be defective.

Besides, the purchaser may not claim any other costs of direct or indirect damage, to person / or properties resulting from above confirmed defects.

The materials that have to be replaced or repaired must be shipped free of carriage to the Cordivari plant.

Systems and products present on this catalogue are designed and realized according to European standards CE-EN-UNI-e PED. Systems and products follow these warranty and conformity conditions only for countries where those laws are applicable. Cordivari has no responsibilities about warranty and conformity for extra UE countries or where these laws are not applicable.

6. Payments

All invoices have to be paid according to the agreed deadline. Any delay, even partially may suspend immediately the planned deliveries. Overdue interest could be charged at current rates.

7. Goods' property

Cordivari Srl remains owner of the delivered goods until they are not completely paid by the buyer (purchaser). In case of failure to proceed with the payment by the buyer (purchaser), Cordivari Srl can ask for the immediate return of the delivered goods, keeping the partial paid amount as indemnity, or even ask for a bigger amount should the damage be higher.

8. Prices

Prices are not binding and can be modified without notice at anytime. Prices are revisable, in case of market conditions changes Cordivari srl reserve the right to modify them for goods still to be delivered. Stated prices are ex-works Cordivari Plant in Morro D'oro (TE - Italy), except in case of written agreements. For some voluminous delivery Cordivari may charge some packing extra-costs.

Prices on this Pricelist are V.A.T. excluded

9. Orders

The minimum order is Euro 2.000,00. Given orders are binding to the buyer, who acknowledges of all our sales conditions.

In case the client draws up the order in name and on behalf of others, with the signing of the order he is committed to the fulfillment of what agreed.

Delivery is only at the headquarters / warehouse of the Customer, for different deliveries please contact our sales office.

Additional costs may be asked to the buyer (purchaser) in case of special requests on delivery term (express delivery, etc.)

10. Court authority

For the following Catalogue and conditions only the provisions of Italian law will be used. For controversy, the Court of Teramo (Italy) shall have exclusive competence. Essential and trial law shall be exclusively Italian.

11. Notes

Translation of Cordivari General sales conditions and warranty terms, reported in this page, has been done from the Italian version. In case of possible controversy, the official Cordivari General sales condition and warranty terms are the one reported in the Italian language, stated at the following page of this catalogue.

© Copyright Cordivari S.r.l.

All rights such as reproduction, diffusion and translation are reserved. Any part of this brochure can be reprinted or reproduced to any other form without a written authorization by Cordivari Srl. The present catalogue substitutes and invalidates all previous editions. Cordivari reserves the right to modify in every moment products and figures reported in the catalogue and has no responsibility for any press mistake.

EXTRA-BOLLY®
CALORIFIERS

BOLLYTERM®
CALORIFIERS

STAINLESS STEEL
CALORIFIERS

CALORIFIERS FOR
HEAT PUMP

MULTIFUEL ENERGY
CYLINDERS - PUIFIER

HYDRONIC

INERTIAL
TANKS

WATER PRESSURE
TANKS

COMPRESSED AIR
RECEIVERS

ACCESSORIES
AND SPARE PARTS

TECHNICAL
SUPPORT

CONDIZIONI GENERALI DI VENDITA E GARANZIA

Le vendite dei prodotti della Cordivari Srl sono effettuate conformemente alle sotto elencate Condizioni Generali di Vendita e Garanzia. Ogni deroga a queste condizioni è subordinata all'accettazione scritta da parte della Cordivari Srl.

1. Spedizione

La merce viaggia a rischio e pericolo del Committente, anche se viene spedita franco destino. La merce deve essere verificata all'atto della consegna, controllando l'integrità dell'imballo, articoli mancanti o sostituzioni in presenza del trasportatore. Ogni contestazione dovrà essere segnalata immediatamente al trasportatore/corriere firmando con riserva il DDT e confermando tale riserva a mezzo lettera raccomandata o posta certificata entro otto giorni dal ricevimento merce.

2. Termini di Consegna

I termini di consegna si intendono puramente indicativi e comunque se il termine di consegna non potesse essere rispettato per qualsiasi motivo, il Committente non avrà diritto a esigere alcun indennizzo, pagamenti di penali, annullamento o modifica all'ordine conferitoci. In caso di eventi straordinari quali calamità naturali, scioperi, mancanza di materie prime e cause di forza maggiore, la Cordivari Srl si riserva la scelta delle misure da adottare. Se la merce ordinata non viene ritirata nel periodo concordato, questa verrà fatturata e immagazzinata con costi, rischio e pericolo a carico del Committente.

3. Pesi, misure, superfici

Pesi, misure, superfici, forme, immagini e altri dati sono indicativi e non impegnativi e possono subire delle modifiche o variazioni che la Cordivari Srl si riserva di apportare ai suoi prodotti senza preavviso.

4. Annullamento o modifica ordine

Senza il consenso scritto della Cordivari Srl, le ordinazioni conferite non possono essere né parzialmente né totalmente annullate o modificate. Non si accordano variazioni o modifiche quando è già stata intrapresa la lavorazione. Eventuali spese derivanti dall'annullamento o modifica dell'ordine saranno fatturate al Committente.

5. Garanzia

Per tutti i bollitori in acciaio inox 316 L la Cordivari Srl garantisce anni 5.

Per tutti i bollitori con trattamento anticorrosivo interno in Polywarm® la Cordivari Srl garantisce anni 5.

Per tutti i recipienti con trattamento anticorrosivo di zincatura a caldo la Cordivari Srl garantisce anni 2.

Per tutti gli scambiatori di calore estraibili e a piastre (ispezionabili e saldobrasati), sia montati sui bollitori sia venduti singolarmente la Cordivari Srl garantisce anni 2.

Per tutti i termoaccumulatori PUFFER e TERMOACCUMULATORI COMBINATI la Cordivari Srl garantisce anni 5.

Per gli accessori e per gli articoli residuali del presente catalogo non contemplati nelle condizioni generali di vendita la Cordivari Srl garantisce anni 2 ad eccezione di componenti tecnici, elettrici ed elettronici, dove la garanzia è di 12 mesi.

Per tutti gli articoli fuori standard, i prodotti speciali realizzati su specifica del Cliente, la Cordivari Srl garantisce anni 2.

I prodotti ed i sistemi presenti in questo catalogo sono progettati e realizzati in conformità alle direttive di riferimento CE-EN-UNI-e PED. La garanzia e la conformità di detti prodotti e sistemi hanno valenza esclusivamente in quei paesi dove tali norme sono riconosciute e recepite. In paesi extra-europei o comunque in paesi che non recepiscono tali norme la Cordivari non assume responsabilità per garanzia e conformità.

La garanzia copre i difetti di fabbricazione. Essa decade se non vengono rispettati i punti dell'art.5. Sussiste a condizione che l'installazione dei prodotti abbia rispettato i criteri della protezione dalla sovrappressione, corrosione, legionella e norme e prescrizioni di installazione e utilizzo descritte nel presente catalogo e tutte le eventuali norme in materia impiantistica. Negli impianti di produzione di acqua calda sanitaria, così come in quelli di riscaldamento, attenersi, ai fini della garanzia, a quanto disposto dalla norma UNI CTI 8065 che prevede vari tipi di trattamenti dell'acqua in funzione delle sue caratteristiche. La garanzia non copre danni derivanti da inadempienze alle prescrizioni della norma UNI CTI 8065.

L'impegno di prestare la garanzia sussiste a condizione che:

Il prodotto sia stato immagazzinato in buone condizioni e al riparo dalle intemperie prima dell'installazione;

Il prodotto non abbia subito danneggiamenti durante il trasporto, le movimentazioni o l'installazione;

Non siano state compiute manomissioni o riparazioni da persone non autorizzate dalla Cordivari Srl;

L'installazione sia stata realizzata da personale autorizzato, in conformità alle istruzioni e alle norme indicate sulla documentazione tecnica fornita dalla Cordivari Srl e alle norme e prescrizioni di installazione e utilizzo riportate nel presente catalogo e che siano state rispettate eventuali disposizioni di leggi o norme tecniche specifiche;

Gli accessori utilizzati siano quelli regolarmente forniti dalla Cordivari Srl;

Il compratore abbia effettuato il saldo dei pagamenti nei termini prestabiliti;

Non siano state eseguite aggiunte di sostanze chimiche aggressive all'acqua;

La pressione e la temperatura di esercizio indicate sul catalogo corrispondano alla pressione e alla temperatura limite di utilizzo.

Sono esclusi sempre da qualsiasi garanzia quei particolari soggetti a naturale usura (es. anodi, guarnizioni, bulloni ecc.).

La garanzia decorre dalla data della fattura di vendita della Cordivari Srl e non si rinnova in alcun caso nell'eventualità di una sostituzione del prodotto.

La garanzia non copre costi dovuti a demolizioni, lavori per il passaggio dei prodotti sia in ingresso che in uscita e la manodopera per eventuali sostituzioni di prodotto.

Cordivari Srl si impegna durante il periodo di garanzia alla sostituzione del prodotto reso riconosciuto difettoso per accertati difetti di produzione, oltre a ciò il Committente non potrà vantare alcun altro risarcimento per spese di danno, diretti o indiretti di qualsiasi natura a persone e/o a cose derivanti da detti difetti.

6. Pagamenti

I pagamenti delle fatture relative alle forniture dovranno essere effettuati entro i termini di scadenza stabiliti. Il ritardo nel pagamento delle fatture, anche se parziale, dà luogo alla decorrenza degli interessi di mora nella misura del tasso corrente, oltre alla sospensione immediata delle spedizioni in corso e del processamento di eventuali ordini.

7. Riserva di proprietà

I prodotti restano di proprietà della Cordivari Srl fino al pagamento dell'ultima rata di Price di merce consegnata. In caso di inadempimento anche parziale del compratore la Cordivari Srl potrà chiedere l'immediata restituzione della merce trattenendo comunque le rate pagate a titolo di indennità salvo il maggior danno.

8. Prezzi

I prezzi non sono impegnativi e possono essere modificati senza preavviso. I prezzi sono revisionabili in funzione delle variazioni che dovessero intervenire fino al momento della consegna.

I prezzi si intendono resa franco stabilimento di Morro D'Oro (TE), salvo diversi accordi.

I prezzi sono sempre riportati nel listino al netto di IVA.

For models ingombranti la Cordivari Srl si riserva di chiedere una partecipazione alle spese di imballaggio e trasporto.

9. Ordini/Consegna

Il valore minimo per ordine è di Euro 1.000; per ordini inferiori alla somma di Euro 1.000, contributo del 6% con addebito minimo di Euro 25,00. Gli ordini impartiti impegnano definitivamente il Committente che deve dichiarare di conoscere e accettare tutte le condizioni di vendita. Nel caso in cui il Committente rediga l'ordine per nome e per conto e in nome di altri, con la firma dell'ordine si impegna in solido all'adempimento di quanto da egli convenuto. La consegna si intende esclusivamente presso la sede/magazzino del Committente.

Richieste particolari del Committente come: consegne espresso, consegna diversa dalla sede/magazzino, etc. avranno costi addizionali che verranno comunicati di volta in volta dal nostro ufficio commerciale.

10. Foro competente

Foro Competente. Per qualsiasi controversia derivante dal presente contratto o collegata allo stesso è competente il Foro di Teramo.

Copyright Cordivari Srl

Tutti i diritti, in particolare quelli di riproduzione, diffusione e traduzione sono riservati.

Nessuna parte di questa opera può essere ristampata o riprodotta in qualsiasi altra forma senza l'autorizzazione scritta della Cordivari.

Il presente catalogo sostituisce ed annulla tutte le edizioni precedenti.

La società si riserva la facoltà di modificare in qualsiasi momento i prodotti e i dati riportati a catalogo e non risponde degli eventuali errori tipografici.



CORDIVARI S.r.l. - Z. I. Pagliare 64020 Morro D'Oro (TE) - ITALY
 C.F. Part.IVA e Reg.Imprese TE 00735570673
 Cap.Soc. Euro 4.000.000,00 i.v.
 Tel: +39 085 80.40.713 - Fax: +39 085 80.40.273

CALORIFIERS - PRESSURE TANKS

PRICE REQUEST

Mod. 03.10-E

Rev. 05
 del 05/08/2011

DATE	
COMPANY NAME	
PRODUCT CATEGORY	<input type="checkbox"/> CALORIFIERS <input type="checkbox"/> BUFFERS <input type="checkbox"/> COMPRESSED AIR RECEIVERS <input type="checkbox"/> CHILLED WATER TANK <input type="checkbox"/> MULTI-HEAT ENERGY COMBI / ECO-COMBI <input type="checkbox"/> D.H.W. ACCUMULATION TANK <input type="checkbox"/> INERTIAL TANK NO PED
DESCRIPTION	

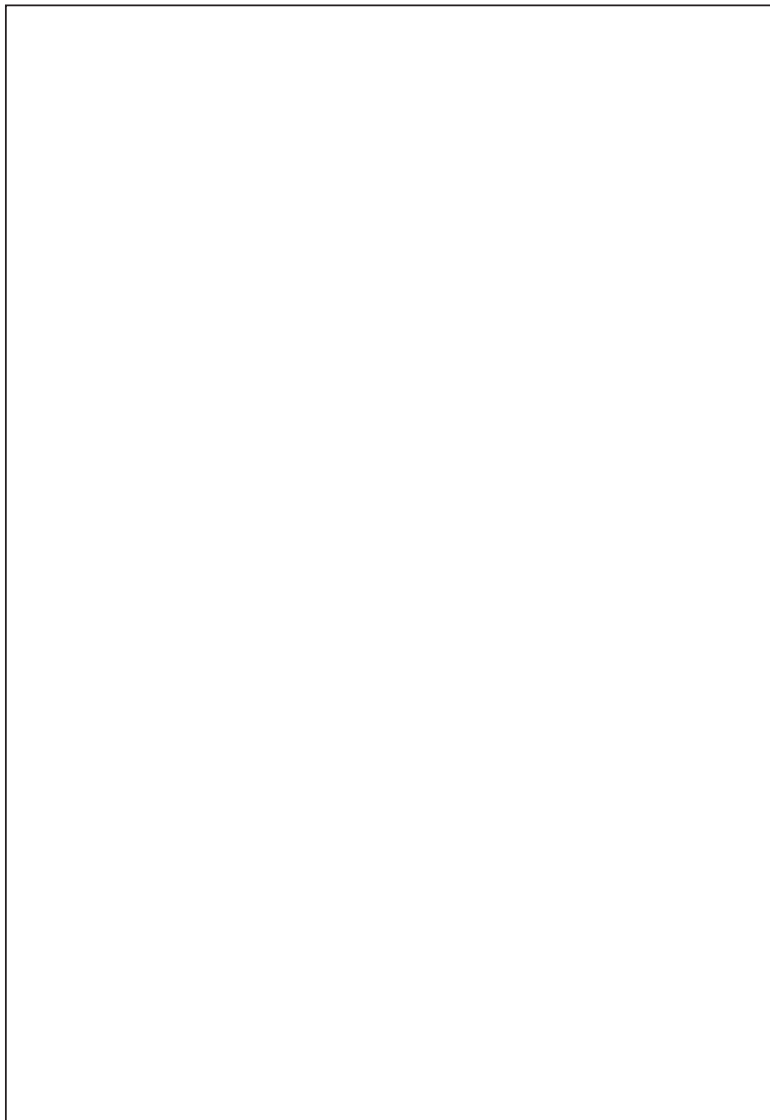
DRAWING

TECHNICAL DETAILS	
CAPACITY [lt]	
DIAMETER [mm]	
HEIGHT [mm]	
VERTICAL	<input type="checkbox"/>
HORIZONTAL	<input type="checkbox"/>
POLYWARM®	<input type="checkbox"/>
STAINLESS STEEL	<input type="checkbox"/>
PRESSURE	TEMPERATURE
SECONDARY SYSTEM (SANITARY)	
LIQUID	PRESSURE
PRIMARY SYSTEM (HEATING)	
LIQUID	PRESSURE

QUANTITY

INSULATION

REMARKS



©COPYRIGHT: This form cannot not be forwarded of reproduced without written authorization issued by Cordivari Srl



FOLLOW US



WWW.CORDIVARI.COM

